

8

CS 5414583-0-1

6

5

4

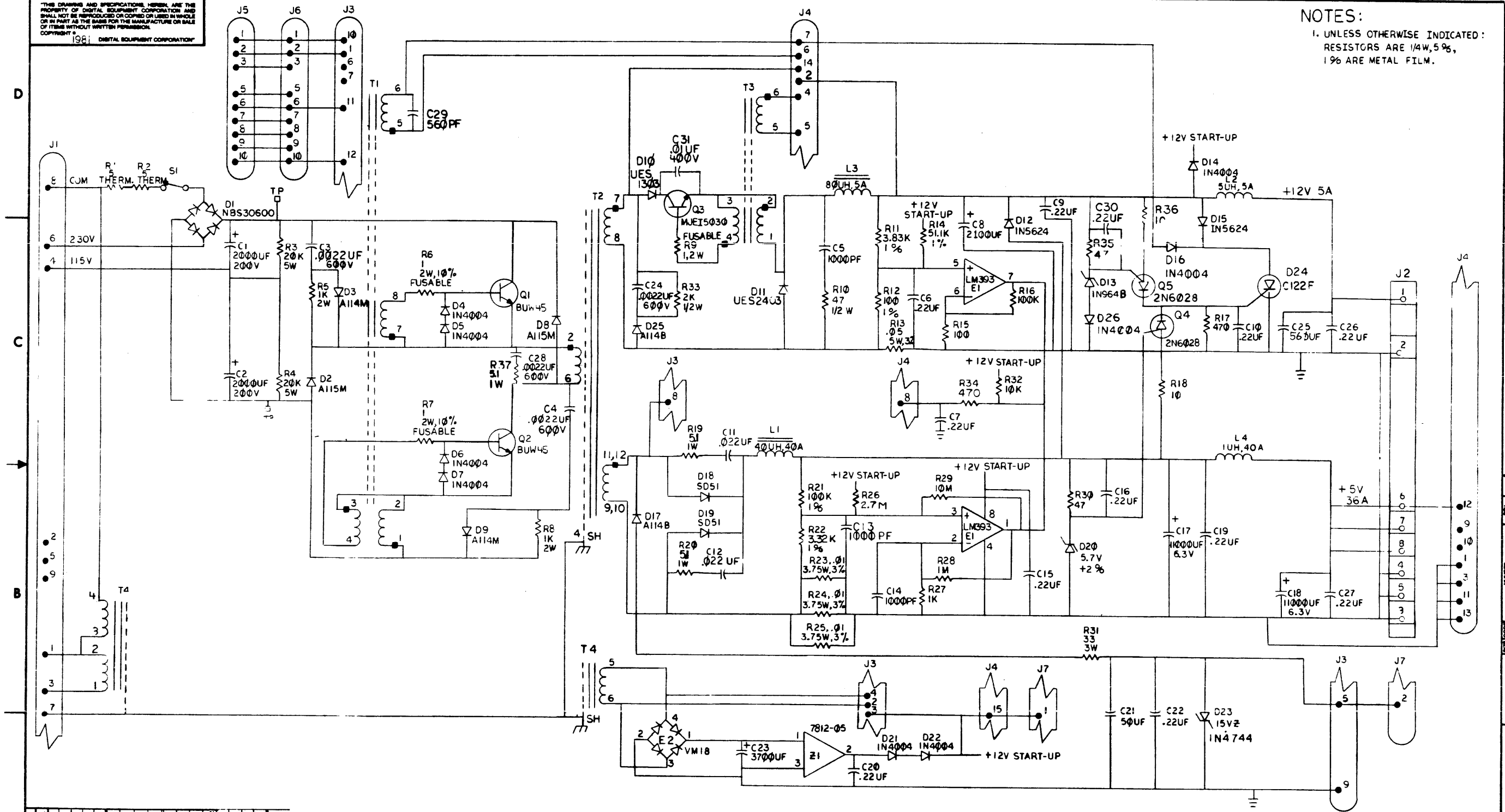
3

2

1

THIS DRAWING AND SPECIFICATIONS HEREIN ARE THE PROPERTY OF DIGITAL EQUIPMENT CORPORATION AND SHALL NOT BE REPRODUCED OR COPIED OR USED IN WHOLE OR IN PART AS THE BASIS FOR THE MANUFACTURE OR SALE OF ITEMS WITHOUT WRITTEN PERMISSION.
 COPYRIGHT © 1981 DIGITAL EQUIPMENT CORPORATION

NOTES:
 1. UNLESS OTHERWISE INDICATED:
 RESISTORS ARE 1/4W, 5%,
 1% ARE METAL FILM.



REV.	DATE	BY	CHKD.	DESCRIPTION
1	7/87	INIT REL	A	
2		5414583-M1001	B	
3		DAVE CALDERAN		
4		5414583-M1002	C	
5		DAVE CALDERAN		
6		5414583-M1003	D	
7		DAVE CALDERAN		
8		5414583-M1004	E	
9		DAVE CALDERAN		

DESIGNED BY: <i>Ray Fenner</i>	DATE: <i>JULY 80</i>	TITLE: digital
CHECKED BY: <i>David Quinn</i>	DATE: <i>4/6/81</i>	H7861 P.S. MASTER BOARD
APPROVED BY: <i>David Quinn</i>	DATE: <i>4/2/81</i>	
DATE: <i>7/8/81</i>	DATE: <i>7/8/81</i>	DOCUMENT NUMBER
B-DD-5414583-0		D CS 5414583-0-1 E

8

7

6

5

4

3

2

1

LINE ITEM	DOCUMENT NUMBER	PART NUMBER	DESCRIPTION	QTY PER VARIATION	REFERENCE DESIGNATOR
1	1	B-DD-5414583-0	DRAWING DIRECTORY	REF	
2	2	D-MD-5014582-0-0	DRILL & ETCH DRAWING	REF	
3	3	E-UA-5414583-0-0	UNIT ASSY	REF	
4	4	D-CS-5414583-0-1	CIRCUIT SCHEMATIC	REF	
5	5	5014582-00	54-14583	1	
6	6	1000042-00	1000.0 MMF 100V 5%200PPM MICA	3	C5,C13,C14
7	7	1001796-00	50 MFD 25V +75-10% AL EL	1	C21
8	8	1012607-00	560 MFD 20V+100-10% AL EL	1	C25
9	9	1013280-00	*** THIS ITEM IS NOT USED ***	-	
10	10	1013466-11	.22 MFD 50V +80-20% Z5U CER	12	C6,C7,C9,C10,C15,C16,C19,C20, CONT C22,C26,C27,C30
11	11	1014139-00	.0022 MFD 600V 10% POLYPROP	4	C3,C4,C24,C28
12	12	1014240-00	2000 MFD 200V +75-10% AL EL	2	C1,C2
13	13	1014260-00	11,000 MFD 6.3V +75-10% AL EL	2	C17,C18
14	14	1014260-01	3700 MFD 25V +75-10% AL EL	1	C23
15	15	1014260-02	2100 MFD 40V +75-10% AL EL	1	C8
16	16	1105648-00	1N 4744 VZ= 15.0 10% 1W	1	D23
17	17	1105796-00	1N 4004 PIV=400 I= 1A D041 SP	9	D4,D5,D6,D7,D14,D16,D21,D22,D26
18	18	1109988-00	1N 964B VZ= 13.0 5% .40W	1	D13
19	19	1110420-00	1N 5624 PIV=200 I= 5A	2	D12,D15
20	20	1111205-00	SCREENED VZ= 5.7 2% .40W	1	D20
21	21	1112594-02	A115M PIV=600 I= 3A	2	D2,D8
22	22	1112595-01	A114B PIV=200 I= 1A	2	D17,D25
23	23	1112595-02	A114M PIV=600 I= 1A	2	D3,D9
24	24	1114245-00	NBS30600LPIV=600 I=30A	1	D1
25	25	1115272-00	UES1303 PIV=150 I=6A	1	D10
26	26	1115369-00	VM 18 PIV=100 I=1A	1	E2
27	27	1117555-00	UES2403 RECTIFIER 150V 3A T0220	1	D11
28	28	1117841-00	SD 51 PIV=45V I=60A D05	2	D18,D19
29	29	1219253-00	HEAT SINK,TD-3 1.780X1.78	2	

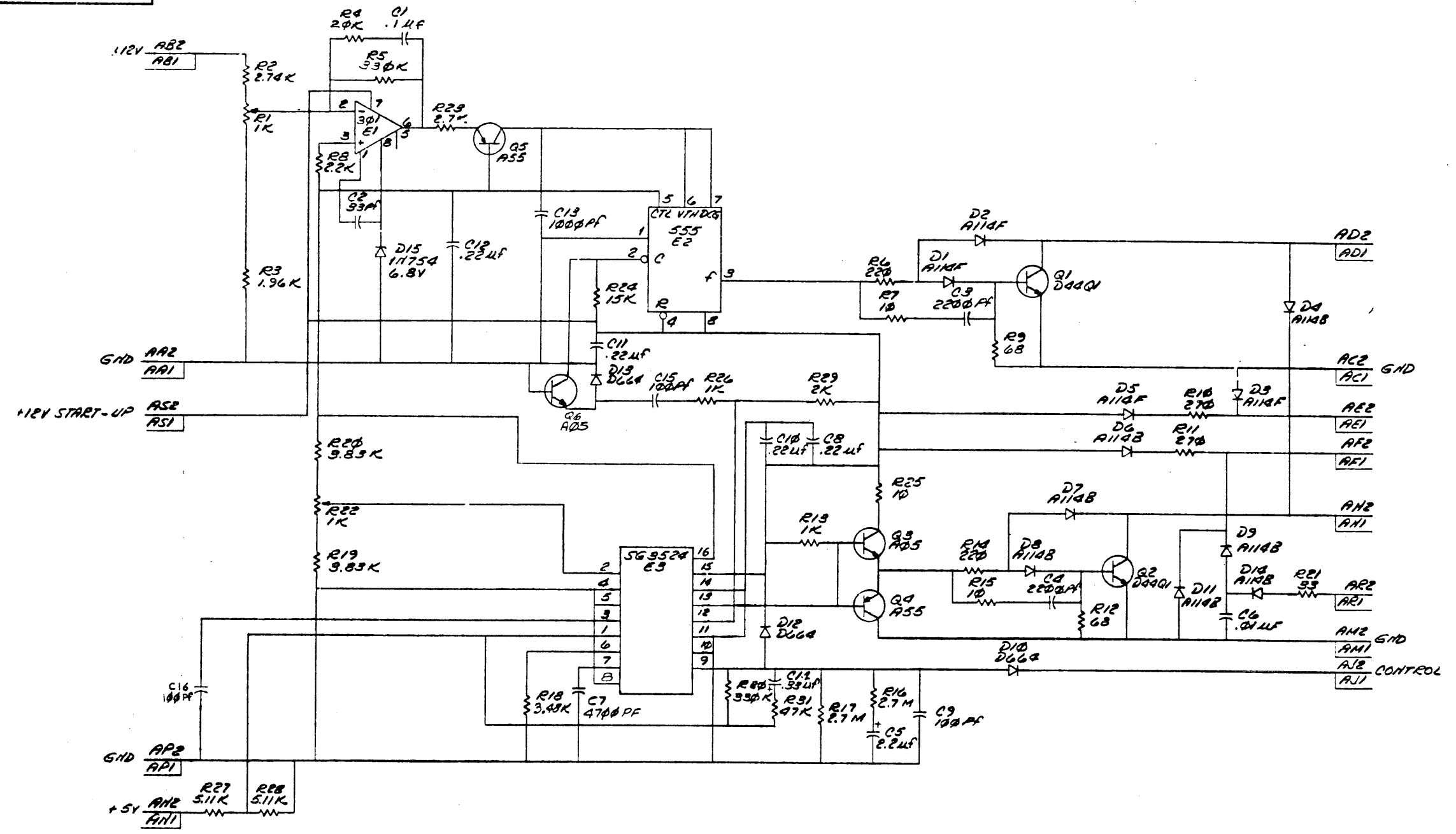
REVISION HISTORY		BASIC PART NO: 5414583		DRN: A. OUELLETTE		DATE: 28-AUG-80		D I G I T A L	
ENG	ECD NUMBER	REV	SECTION A OF A	CHK'D:	D. BARRIERE	DATE:	28-AUG-80	TITLE	PARTS LIST
---	INITIAL	A	SECTION VARIATION INDEX	DES.ENG:	DAVE CALDERAN	DATE:	28-AUG-80	H7861 P.S. MASTER BOARD	
DC	5414583-ML001	B	[A] 00	RESP.ENG.:	D. CALDRAN	DATE:	30-DEC-80	DOCUMENT NUMBER	
DC	5414583-ML002	C	[B]	MFG.ENG.:	M. HILDAGO	DATE:	30-DEC-80	SIZE CODE NUMBER	REV
D.C	5414583-ML003	D	[C]	ASSEMBLY NUMBER:	E-UA-5414583-0-0	TOP DOCUMENT NUMBER:	#B-DD-5414583-0	FILE NAME:	Z1390D.PLS
DC	5414583-ML004	E	[D]	EDIT #:					55
			[E]						
			[F]						
			[G]						
			[H]						
			[I]						
			[J]						
			[K]						
			[L]						
			[M]						
			[N]						

*THIS DRAWING AND SPECIFICATIONS HEREIN, ARE THE PROPERTY OF DIGITAL EQUIPMENT CORPORATION AND SHALL NOT BE REPRODUCED OR COPIED OR USED IN WHOLE OR IN PART AS THE BASIS FOR THE MANUFACTURE OR SALE OF ITEMS WITHOUT WRITTEN PERMISSION. COPYRIGHT (C) 1982. DIGITAL EQUIPMENT CORPORATION *

LINE ITEM	DOCUMENT NUMBER	PART NUMBER	DESCRIPTION	QTY PER VARIATION 00	REFERENCE DESIGNATOR
30	30	1212297-02	MATE-N-LOK 09PIN(2X05).250CC HDR	1	J1
31	31	1212531-01	HEAT SINK,T0-3 2.187X01.3	2	
32	32	1212531-00	*** THIS ITEM IS NOT USED ***	-	
33	33	1213463-04	TERM BLOCK 8POS .375 SPACING	1	J2
34	34	1214257-00	CARD EDGE 12PIN(1X12).156CC STR	1	J3
35	35	1214257-02	CARD EDGE 24PIN(1X24).156CC STR	1	J4
36	36	1214259-02	THERMOSTAT,0@185,C@148	1	S1
37	37	1214789-00	*** THIS ITEM IS NOT USED ***	-	
38	38	1218008-00	HEAT SINK, 3.700X1.75	1	
39	39	1300202-00	47.0 .25 W 5.0 % CC	2	R30,R35
40	40	1300229-00	100.0 .25 W 5.0 % CC	1	R15
41	41	1300316-00	470.0 .25 W 5.0 % CC	2	R17,R34
42	42	1300365-00	1.0 K .25 W 5.0 % CC	1	R27
43	43	1300417-00	*** THIS ITEM IS NOT USED ***	-	
44	44	1300479-00	10.0 K .25 W 5.0 % CC	1	R32
45	45	1301317-00	10.0 .25 W 5.0 % CC	2	R18,R36
46	46	1302136-00	5.10 1.0 W 5.0 % CC	3	R19,R20,R37
47	47	1301695-00	47.0 .50 W 5.0 % CC	1	R10
48	48	1301952-00	1.0 K 2.0 W 5.0 % CC	2	R5,R8
49	49	1302387-00	2.0 K .50 W 5.0 % CC	1	R33
50	50	1302466-00	100.0 K .25 W 5.0 % CC	1	R16
51	51	1302666-00	10.0 M .25 W 5.0 % CF	1	R29
52	52	1302858-00	100.0 .25 W 1.0 % RN55D-F10	1	R12
53	53	1303044-00	100.0 K .25 W 1.0 % RN55D-F10	1	R21
54	54	1309413-00	3.83 K .25 W 1.0 % RN55D-F10	1	R11
55	55	1309595-00	1.0 M .25 W 5.0 % CC	1	R28
56	56	1302311-00	3.32 K .25 W 1.0 % RN55D-F10	1	R22
57	57	1310876-03	.05 5.0 W 3.0 % WW	1	R13
58	58	1313014-00	.01 3.75 W 3.0 % WW	3	R23,R24,R25
59	59	1313476-00	51.10 K .25 W 1.0 % RN55D-F10	1	R14
60	60	1314088-00	20.0 K 5.0 W 5.0 % WW	2	R3,R4
61	61	1314239-00	33.0 3.0 W 5.0 % WW	1	R31
62	62	1314270-02	2.50 15.0 % NTC THERM	2	R1,R2
63	63	1314350-00	1.0 2.0 W10.0 % FUSE	3	R6,R7,R9
64	64	1519536-01	122 SCRW 50V & 8A T0-220	1	D24
65	65	1510877-00	2N 6028 UJT 300MW R67B	2	Q4,Q5
66	66	1517910-00	2N 6547 NPN T0-3	2	Q1,Q2
67	67	1516440-00	MJE15030 NPN 50WC SI150 40	1	Q3
68	68	1614272-00	PULSE XFMR,4 WOUND	1	T1
69	69	1614273-00	PULSE XFMR,TRI-WOUND	1	T3
70	70	1614274-00	XFMR P=AB S=87V	1	T4
71	71	1618012-00	1.0 UH 40A	1	L4
72	72	1618013-00	10.0 UH 20A	1	L2
73	73	1618014-00	40.0 UH 40A	1	L1
74	74	1618028-00	XFMR P=240-360V S=12/5V	1	T2
75	75	1618148-00	80.0 UH 5A	1	L3
76	76	1912048-05	7812 VOLT REG,FIX +12V	1	Z1
77	77	1914156-00	LM 393 VOLT.COMPARATOR DUAL	1	E1

D	I	G	I	T	A	L	TITLE	H7861 P.S. MASTER BOARD	SECTION A OF A	SIZE	CODE	DOCUMENT NUMBER	REV
										K	PL	5414583-0-DBP	E

THIS DRAWING AND SPECIFICATIONS HEREIN ARE THE PROPERTY OF DIGITAL EQUIPMENT CORPORATION AND SHALL NOT BE REPRODUCED OR COPIED OR USED IN WHOLE OR IN PART AS THE BASIS FOR THE MANUFACTURE OR SALE OF ITEMS WITHOUT WRITTEN PERMISSION. COPYRIGHT © 1977, DIGITAL EQUIPMENT CORPORATION.



REV.	CHG.	NO.	DATE	BY	CHK.
1					
2					
3					
4					
5					
6					
7					
8					

DRN	5/1/77	FIRST USED ON	H733	digital
CHK	5/1/77	TITLE	CONTROL BOARD	
ENG	8-1-77	PROJ. ENG.	8-1-77	
PROD	8-1-77	SCALE	D	CS 5412532-0-1
NEXT HIGHER ASSY.		SIZE	CODE	NUMBER
0 JA 5412532-0-0		SCALE	D	CS 5412532-0-1
SHEET	1	OF	1	DIST.

LINE	ITEM	DOCUMENT NUMBER	PART NUMBER	DESCRIPTION	QTY	PER VARIATION	REFERENCE DESIGNATOR
					00		
1	1	D-MD-5012531-0-0	5012531-00	5412532	1		
2	2		1013669-02	.10 MFD 150V 5% M.POLYPROP	1		C1
3	3		1000009-00	33.0 MMF 100V 5%200PPM MICA	1		C2
4	4		1000055-00	2200.0 MMF 250V 20% Y5S DISC	2		C3,C4
5	5		1002627-00	2.2MFD 20V 10% S.TANT	1		C5
6	6		1005784-00	.01 MFD 100V 200V 10% MYL	1		C6
7	7		1010274-00	.22 MFD 50V +80-20% Z5U CER	4		C8,C10-C12
8	8		1000042-00	1000.0 MMF 100V 5%200PPM MICA	1		C13
9	9		1000016-00	100.0 MMF 100V 5%200PPM MICA	3		C9,C15,C16
10	10		1005328-00	.33 MFD 20V 10% S.TANT	1		C14
11	11		1112595-00	A114F PIV= 50 I= 1A	4		D1-D3,D5
12	12		1112595-01	A114B PIV=200 I= 1A	7		D4,D6-D9,D11,D14
13	13		1100114-00	D 664 QS\75PCB PIV= 25V SP	3		D10,D12,D13
14	14		1109991-01	4M6.8AZ1 VZ= 6.8 1% .40W	1		D15
15	15		1309143-07	1.0 K .75 W10.0 % POT	2		R1,R22
16	16		1304868-00	2.74 K .25 W 1.0 % RN55D-F10	1		R2
17	17		1304833-00	1.96 K .25 W 1.0 % RN55D-F10	1		R3
18	18		1302391-00	20.0 K .25 W 5.0 % CC	1		R4
19	19		1303187-00	*** THIS ITEM IS NOT USED ***	-		
20	20		1300271-00	220.0 .25 W 5.0 % CC	2		R6,R14
21	21		1301317-00	10.0 .25 W 5.0 % CC	3		R7,R15,R25
22	22		1300417-00	2.20 K .25 W 5.0 % CC	1		R8
23	23		1300219-00	68.0 .25 W 5.0 % CC	2		R9,R12
24	24		1300288-00	270.0 2.0 W10.0 % CC	2		R10,R11
25	25		1300365-00	1.0 K .25 W 5.0 % CC	2		R13,R26
26	26		1309680-00	2.70 M .25 W 5.0 % CF	2		R16,R17
27	27		1305114-00	3.48 K .25 W 1.0 % RN55D-F10	1		R18
28	28		1309413-00	3.83 K .25 W 1.0 % RN55D-F10	2		R19,R20
29	29		1314239-00	33.0 3.0 W 5.0 % WW	1		R21
30	30		1300426-00	2.70 K .25 W 5.0 % CC	1		R23

REVISION HISTORY		BASIC PART NO: 5412532		DRN:	R. BUREAU	DATE: 16-FEB-78	D I G I T A L			
ENG!	ECO NUMBER	REV	SECTION A OF A	CHK'D:	K. GLEASN	DATE: 16-FEB-78	TITLE PARTS LIST			
P.G!	00003	F	SECTION VARIATION INDEX	CHK'D:	K. GLEASN	DATE: 16-FEB-78	CONTROL BOARD			
D.C!	5412532-ML004	H	[A] 00	DES.ENG:	J. GREGORICH	DATE: 16-FEB-78	DOCUMENT NUMBER			
D.C!	5412532-ML005	J	[B]	RESP.ENG.:	J. GREGORICH	DATE: 16-FEB-78	SIZE!	CODE!	NUMBER	REV
D.C!	5412532-ML006	K	[C]	MFG.ENG.:	R. HAMILTON	DATE: 16-FEB-78	K	PL	5412532-0-DBP	K
			[D]	ASSEMBLY NUMBER:		TOP DOCUMENT NUMBER:	FILE NAME:		EDIT #	
			[E]	D-UA-5412532-0-0			Z0353K.PLS		12	
			[F]							
			[G]							
			[H]							
			[I]							
			[J]							
			[K]							
			[L]							
			[M]							
			[N]							

THIS DRAWING AND SPECIFICATIONS HEREIN, ARE THE PROPERTY OF DIGITAL EQUIPMENT CORPORATION AND SHALL NOT BE REPRODUCED OR COPIED OR USED IN WHOLE OR IN PART AS THE BASIS FOR THE MANUFACTURE OR SALE OF ITEMS WITHOUT WRITTEN PERMISSION. COPYRIGHT (C) 1982. DIGITAL EQUIPMENT CORPORATION

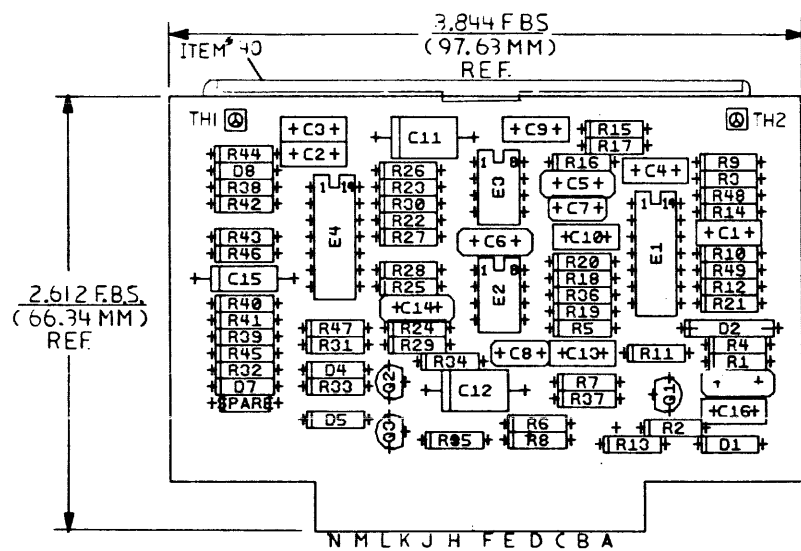
LINE ITEM	DOCUMENT NUMBER	PART NUMBER	DESCRIPTION	QTY PER VARIATION 00	REFERENCE DESIGNATOR
31	31	1300496-00	15.0 K .25 W 5.0 % CC	1	R24
32	32	1304854-00	5.11 K .25 W 1.0 % RN55D-F10	2	R27,R28
33	33	1302388-00	2.0 K .25 W 5.0 % CC	1	R29
34	34	1302091-00	330.0 K .25 W 5.0 % CC	2	R30,R5
35	35	1302177-00	47.0 K .25 W 5.0 % CC	1	R31
36	36	1514271-00	D 44Q1 NPN 31W SI	2	Q1,Q2
37	37	1510705-00	XA 05 NPN 500MW SI 60 50 P	2	Q3,Q6
38	38	1510706-00	XA 55 PNP 500MW SI 60 50 P	2	Q4,Q5
39	39	1910282-00	301AN OP AMP	1	E1
40	40	1911944-00	555CN TIMER,FUNCT.BLOCK	1	E2
41	41	1914250-00	3524 MODULATOR-REGULATING	1	E3
42	42	9009000-00	*** THIS ITEM IS NOT USED ***	-	
43	43	1001383-00	4700.0 MMF 100V 3%200PPM MICA	1	C7
44	44	7418695-00	*** THIS ITEM IS NOT USED ***	-	
45	45	9006732-00	EYELET,ROLLED 0.1210DX0.219	2	
46	46	1215993-00	RETAINER, CARD	1	

D	I	G	I	T	A	L	TITLE	SECTION A OF A	SIZE	CODE	DOCUMENT NUMBER	REV
							CONTROL BOARD		K	PL	5412532-0-DBP	K

0-0-84051548-0 7

COMPONENT SIDE VIEW

THIS DRAWING AND SPECIFICATIONS, HEREIN, AND THE PROPERTY OF DIGITAL EQUIPMENT CORPORATION AND SHALL NOT BE REPRODUCED OR COPIED IN WHOLE OR IN PART OR IN ANY MANNER FOR THE DISSEMINATION OR SALE OF THIS DRAWING WITHOUT PERMISSION.
 SEPTEMBER 1981 DIGITAL EQUIPMENT CORPORATION



NOTES:
 1 THIS BOARD MEETS REQUIREMENTS FOR U.L. TYPE I.

CHANGE NO	REV	
4/2	INIT.	

STEP	E	+ Y AXIS	STEP	TIMES
REPEAT		+ X AXIS	STEP	TIMES

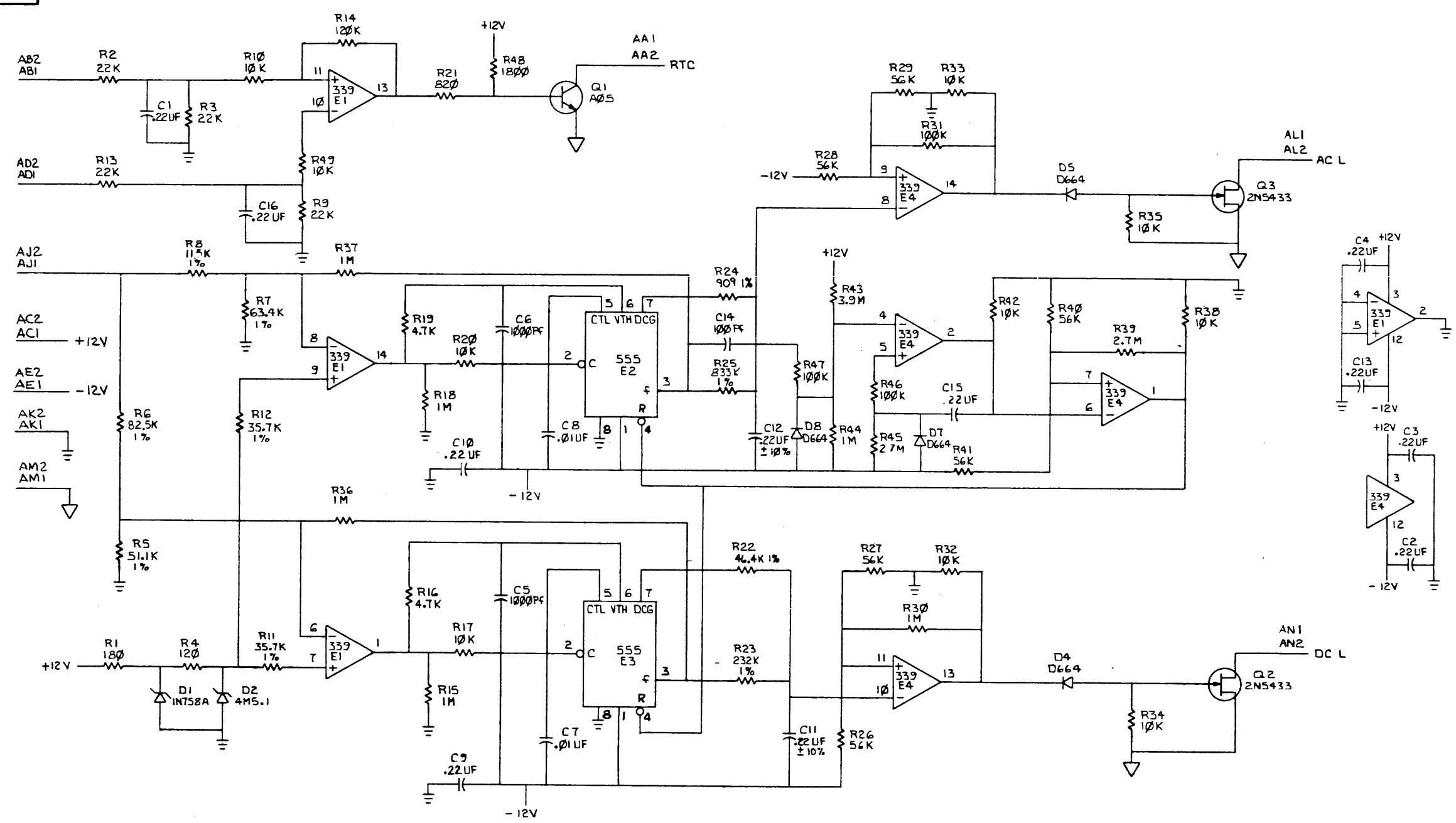
ETCH REV.	B
-----------	---

SIGNATURES		DATE	digital
DRN.	<i>Willy Buias</i>	3-28-81	
CHK'D.	<i>R. Buias</i>	3-11-81	TITLE POWER
MECH. ENG.	<i>R. Buias</i>	3-29-81	
PROJ. ENG.	<i>R. Buias</i>	3-29-81	MONITOR BOARD
PROD.	<i>R. Buias</i>	5/29/81	
SCALE	2 1		SIZE CODE NUMBER
SHT.	1 OF 1		
NEXT HIGHER ASSY. B-DD-5415048-0			REV
			A

1 WO# 181124B

THIS DRAWING AND SPECIFICATIONS HEREIN ARE THE PROPERTY OF DIGITAL EQUIPMENT CORPORATION AND SHALL NOT BE REPRODUCED OR COPIED OR USED IN WHOLE OR IN PART AS THE BASIS FOR THE MANUFACTURE OR SALE OF ITEMS WITHOUT WRITTEN PERMISSION. COPYRIGHT © 1961, DIGITAL EQUIPMENT CORPORATION

DIGITAL
5415048-0-1



REV.	
CHG	
REVISE NO.	
REV.	

DRN. S. ANGELI	FIRST USED ON	
CHK. J. G. KENNEDY	TITLE	POWER MONITOR BD
ENGR. J. G. KENNEDY	DATE	6/1/61
PROJ. ENGR. J. G. KENNEDY	DATE	6/1/61
PROD. ENGR. J. G. KENNEDY	DATE	6/1/61
NEXT HIGHER ASSY.	SIZE CODE	B-DD-5415048-0
SCALE	NUMBER	D CS 5415048-0-1
SHEET 1 OF 1	REV.	A

DIGITAL
5415048-0-1

NE ITEM	DOCUMENT NUMBER	PART NUMBER	DESCRIPTION	QTY PER VARIATION	REFERENCE DESIGNATOR
				00	
1	1	5015047-00	DRILL AND ETCH BOARD	1	
2	2	1010274-00	.22 MFD 50V +80-20% Z5U CER	8	C1,C2,C3,C4,C9,C10,C13,C16
3	3	1000016-00	100.0 MMF 100V 5%200PPM MICA	1	C14
4	4	1001610-00	.01 MFD 50V +80-20% Z5U CER	2	C7,C8
5	5	1010031-03	.22 MFD 50V 10% M.POLYCARB	2	C11,C12
6	6	1013466-11	.22 MFD 50V +80-20% Z5U CER	1	C15
7	7	1100125-00	1N 758A VZ= 10.0 5% .40W PPE	1	D1
8	8	1105873-00	4M5-1AZ1 VZ= 5.1 1% .400W	1	D2
9	9	1100114-00	D 664 QS\75PCB PIV= 25V SP	4	D4,D5,D7,D8
10	10	1301322-00	180.0 .25 W 5.0 % CC	1	R1
11	11	1301808-00	22.0 K .25 W 5.0 % CC	4	R2,R3,R9,R13
12	12	1300247-00	120.0 .25 W 5.0 % CC	1	R4
13	13	1313476-00	51.10 K .25 W 1.0 % RN55D-F10	1	R5
14	14	1310636-00	82.50 K .25 W 1.0 % RN55D-F10	1	R6
15	15	1309289-00	63.40 K .25 W .10% RN55E-B 2	1	R7
16	16	1300479-00	10.0 K .25 W 5.0 % CC	10	R10,R17,R20,R32,R33,R34,R38,R42, R49,R35
17	17	1305421-00	35.70 K .25 W 1.0 % RN55D-F10	2	CONT R11,R12
18	18	1300539-00	120.0 K .25 W 5.0 % CC	1	R14
19	19	1317183-03	115.0 K .25 W 1.0 % RN55D-F10	1	R8
20	20	1309595-00	1.0 M .25 W 5.0 % CC	6	R15,R18,R30,R37,R36,R44
21	21	1300447-00	4.70 K .25 W 5.0 % CC	2	R16,R19
22	22	1301775-00	820.0 .25 W 5.0 % CC	1	R21
23	23	1313167-00	833.0 K .25 W 1.0 % RN55C-F 5	1	R25
24	24	1302395-00	56.0 K .25 W 5.0 % CC	6	R26,R27,R28,R29,R40,R41
25	25	1309680-00	2.70 M .25 W 5.0 % CC	2	R39,R45
26	26	1302466-00	100.0 K .25 W 5.0 % CC	3	R31,R46,R47
27	27	1300398-00	1.80 K .25 W 5.0 % CC	1	R48
28	28	1510705-00	XA 05 NPN 500MW SI 60 50 P	1	Q1
29	29	1511686-00	DEC5433 FET N 350MW 10 25 1A	2	G2,G3

REVISION HISTORY		BASIC PART NO: 5415048		DRN:	DATE:	D I G I T A L			
NG	ECO NUMBER	REV	SECTION A OF A	MARY BAIROS	24-FEB-81				
---	INITIAL	A	SECTION VARIATION INDEX	CHK'D: DICK BARRIER	DATE: 10-MAR-81	TITLE PARTS LIST			
			[A] 00			POWER MONITOR BOARD			
			[B]						
			[C]	DES.ENG: DAVE CALDERAN	DATE: 24-FEB-81				
			[D]						
			[E]						
			[F]	RESP.ENG.: DAVE CALDERAN	DATE: 20-MAY-81	DOCUMENT NUMBER			
			[H]						
			[J]						
			[K]	MFG.ENG.: L. FIELD	DATE: 20-MAY-81	SIZE	CODE	NUMBER	REV
			[L]			K	PL	5415048-0-DBP	A
			[M]	ASSEMBLY NUMBER:	TOP DOCUMENT NUMBER:	FILE NAME:		EDIT #	
			[N]	D-UA-5415048-0-0	#B-DD-5415048-0	Z2126A,PLS		9	

"THIS DRAWING AND SPECIFICATIONS HEREIN, ARE THE PROPERTY OF DIGITAL EQUIPMENT CORPORATION AND SHALL NOT BE REPRODUCED OR COPIED OR USED IN WHOLE OR IN PART AS THE BASIS FOR THE MANUFACTURE OR SALE OF ITEMS WITHOUT WRITTEN PERMISSION. COPYRIGHT (C) 1981, DIGITAL EQUIPMENT CORPORATION."

NE ITEM	DOCUMENT NUMBER	PART NUMBER	DESCRIPTION	QTY PER VARIATION 00	REFERENCE DESIGNATOR
30	30	1912108-00	339 VOLT CMPRTR,QUAD	2	E1,E4
31	31	1911944-00	555CN TIMER,FUNCT,BLOCK	2	E2,E3
32	32	1305424-00	232.0 K .25 W 1.0 % RN55D-F10	1	R23
33	33	1314387-00	3.90 M .25 W 5.0 % CC	1	R43
34	34	1000042-00	1000.0 MMF 100V 5%200PPM MICA	2	C5,C6
35	38	1303311-00	46.40 K .25 W 1.0 % RN55D-F10	1	R22
36	39	1302685-00	909.0 .25 W 1.0 % RN55D-F10	1	R24
37	40	1215993-00	RETAINER, CARD	1	
38	41	D-CS-5415048-0-1	CIRCUIT SCHEMATIC	REF	
39	42	D-MD-5015047-0-0	DRILL & ETCH DRAWING	REF	
40	43	D-UA-5415048-0-0	UNIT ASSY DRAWING	REF	
41	44	D-EC-5015047-0-0	ETCH CUT DRAWING	REF	

D	I	G	I	T	A	L	TITLE	SECTION A OF A	SIZE	CODE	DOCUMENT NUMBER	REV
							POWER MONITOR BOARD		K	PL	5415048-0-DBP	A