

# ILLUSTRATED PARTS BREAKDOWN

# PDP-1160M 16 BIT COMPUTER

## HOW TO USE THE IPB

### GENERAL

This IPB is compiled following the organization and nomenclature of the engineering drawing structure.

### MAJOR ASSEMBLY LOCATOR

The Major Assembly Locator (first illustration) is an index that provides a description and a figure reference for all illustrations used in this manual.

### INDENTED PARTS LIST

This manual identifies each assembly being broken down (figure reference callout), and all parts of that assembly. Further breakdown of an assembly is shown by an asterisk (\*) preceding the item callouts in the Description Column. The number of asterisks preceding an item is used to denote the subordination of that item with respect to the Major Assembly. A single asterisk preceding an item description indicates that the item is part of the major assembly being illustrated. Items that are subordinate to single asterisks items, are denoted by two asterisks (\*\*) and immediately follow the related single asterisk item. Additional asterisks are used, as required, to denote further subordination. This system of part identification, provides a means for the user to identify the next higher assembly item and make alternate selections for parts when the required replacement part or assembly is not immediately available.

### COLUMN CALLOUT DESCRIPTION

**Figure & Item** - Indicates the figure number and item number of each part.

**Description** - Lists the name of the part and pertinent specifications (when required). Asterisks preceding the description denote the subordination of the part to the next higher assembly.

**DEC Part No.** - Lists the DEC part ordering number. A blank in this column indicates a DEC part number was not assigned at the time of publication.

**ECO Cut-In** - The notation at the top of this column indicates the ECO level of the system (option), at which the IPB was initially prepared. Subsequent ECO level designations, that modify existing parts or add new parts to the device, are inserted in the ECO Cut-In column next to the part that is added or modified. A bracket ([]) preceding the item description is used to indicate the parts affected by ECO's.

**Vendor Code/Part No.** - Indicates vendor parts that are not stocked by DEC. Refer to the Field Service Spares Catalog (vendor part number to DEC part number) for the vendor code cross-reference.

**Used On Code** - Letters in this column correspond to the variation codes assigned in Figure 1. Parts with an Alpha notation(s) are used only in those option variations. A blank indicates that the part is used on all option variations.

**Ref Fig No.** - A cross reference between illustrations. For each Major Assembly, the number in this column denotes the figure of the next higher assembly. For all subassemblies, the number in this column denotes the figure showing additional detailed breakdown.

### SYMBOL USAGE

**Hardware Designators** - Alpha designators for screws (S), washers (W), nuts (N), and retaining rings (R) are inserted after the item number callouts on the illustration when stacked item numbers are used.

**Attaching Hardware** - The @ symbol is inserted before any part that is used as attaching hardware. Attaching hardware is denoted as those parts that are not an integral part of the referenced assembly.

**(NFR) Not Field Repairable** - The (NFR) symbol is inserted after any assembly that is not to be field dismantled.

**Other Symbols** - Any other symbols that are required for kits, accessories, etc., will be explained and appear as part of the item description.

## REVISION HISTORY

PRINTING	ECO LEVEL	DATE	PAGES AFFECTED
1st Printing	1160M 00000-00000	1-29-82	N/A

## OTHER IPB MANUALS REQUIRED TO SUPPORT THIS OPTION . . . . .

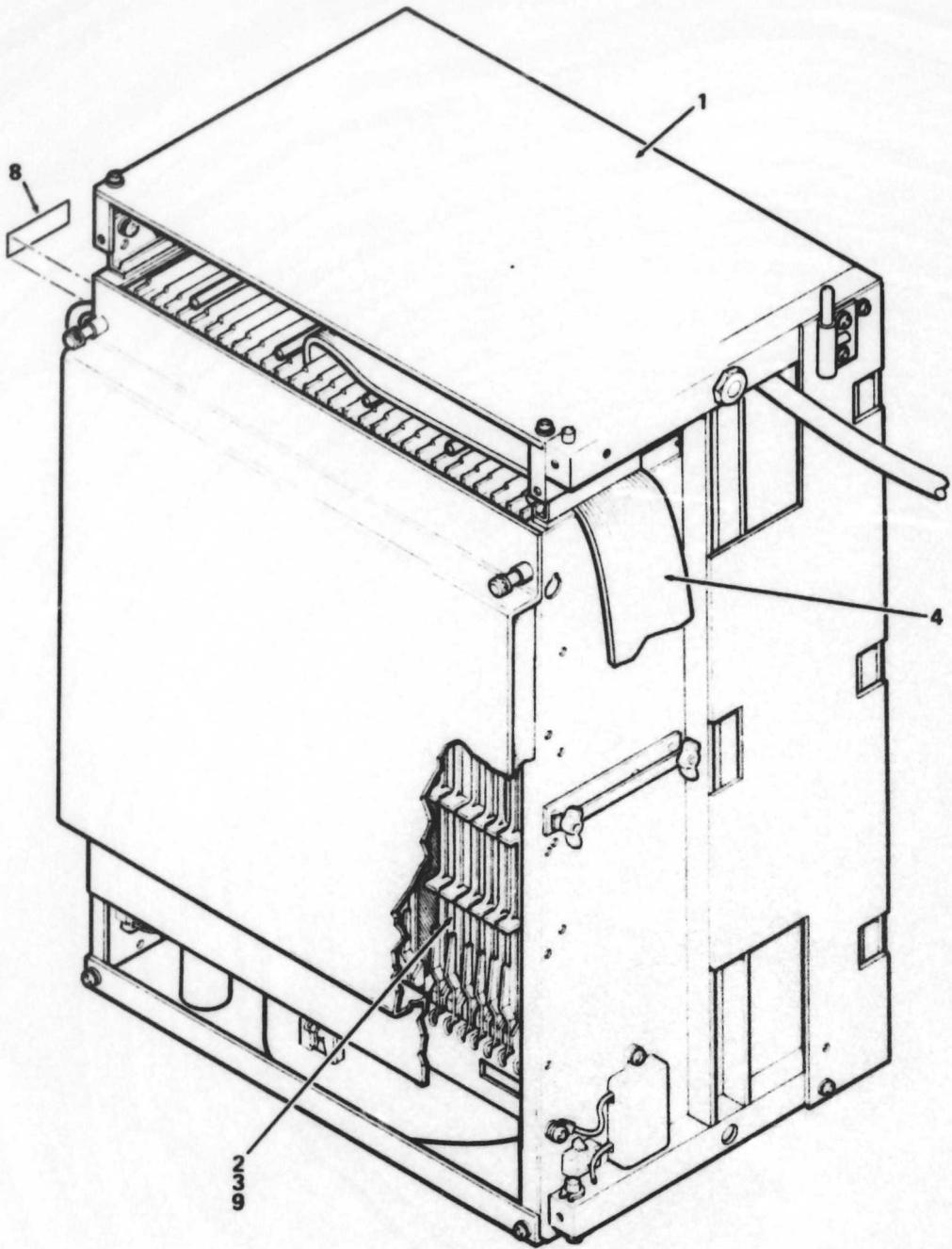
EK-BA11P-IP  
EK-H9280-IP  
EK-H7420-IP  
EK-OH754-IP  
EK-KY11P-IP

Copyright © 1982 by Digital Equipment Corporation. All rights reserved.

DEC reserves the right, without notice, to make substitutions and modifications in the specifications of products documented in this manual and further reserves the right to withdraw any of these products from the market without notice.

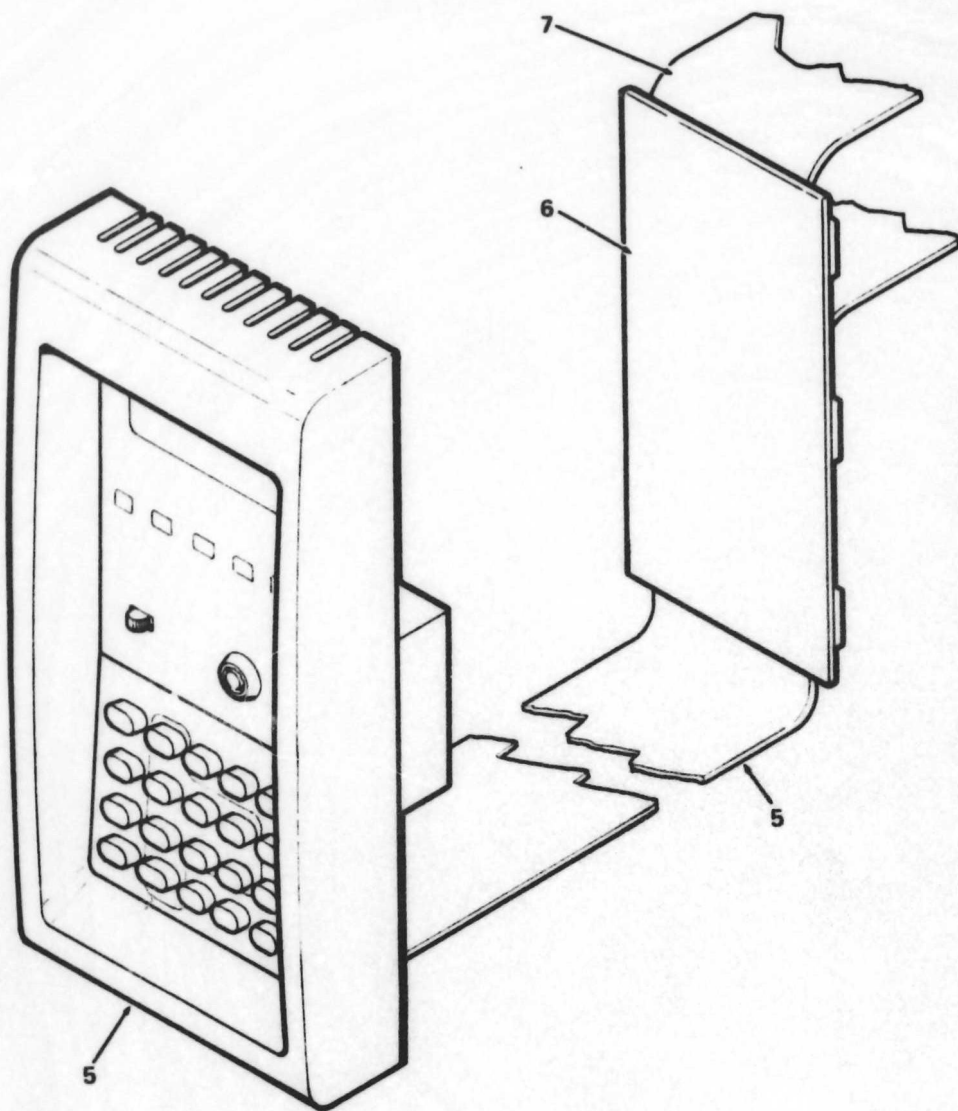
DEC is not responsible for errors which may appear in the technical description (including illustrations and photographs) of the products covered by this manual.

None of the descriptions contained in this manual imply the granting of any license whatsoever to make, use or sell equipment constructed in accordance therewith.



1160M-01

Figure 1. 1160M Computer Assembly (Sheet 1 of 2)



1160M-01A

Figure 1. 1160M Computer Assembly (Sheet 2 of 2)

FIG. & ITEM NO.	DESCRIPTION	DEC PART NO.	ECO CUT-IN 1160M 00000	USED ON CODE	REF FIG NO.
1-	1160M COMPUTER ASSEMBLY				
	Code A - Used on Model 1160M-AA 120V	1160M-AA		A	
	Code B - Used on Model 1160M-AB 240V	1160M-AB		B	
1	*BA11-P UNIT ASSEMBLY 120V See BA11P IPB Manual	BA11-PK		A	
	*BA11-P UNIT ASSEMBLY 240V	BA11-PL		B	
2	*KD11K Processor	KD11-K			
3	*ECC MOS Memory	MS11-MB			
4	*BC11A Cable Assembly	BC11A-02			
5	*KY11-P CONSOLE ASSEMBLY See KY11P IPB Manual	KY11-P			
6	*KY11-P Console Filter Board	54-12245-00			
7	*BC06R I/O Cable Assembly	BC06R-06			
8	*Label, "Electrical Data" (Adhesived Backed)	36-13210-00			
9	*Backplane Assembly	DD11-CF			
	NOTE: For Identification and Placement of Modules; See Module Utilization Drawing D-MU-KD11-K-MU.				
					DEC