

**ILLUSTRATED  
PARTS  
BREAKDOWN**

**DECimage1200  
SYSTEM BOX ASSEMBLY**

**HOW TO USE THE IPB**

**GENERAL**

This IPB is compiled following the organization and nomenclature of the engineering drawing structure.

**MAJOR ASSEMBLY LOCATOR (When Applicable)**

The Major Assembly Locator (first illustration) is an index that provides a description and a figure reference for all illustrations used in this manual.

**INDENTED PARTS LIST**

This manual identifies each assembly being broken down (figure reference callout), and all parts of that assembly. Further breakdown of an assembly is shown by an asterisk (\*) preceding the item callouts in the Description Column. The number of asterisks preceding an item is used to denote the subordination of that item with respect to the Major Assembly. A single asterisk preceding an item description indicates that the item is part of the major assembly being illustrated. Items that are subordinate to single asterisks items, are denoted by two asterisks (\*\*) and immediately follow the related single asterisk item. This system of part identification provides a means for the user to identify the next higher assembly item and make alternate selections for parts when the required replacement part of assembly is not immediately available.

**COLUMN CALLOUT DESCRIPTION**

**Figure and Item** - Indicates the figure number and item number of each part.

**Description** - Lists the name of the part and pertinent specifications (when required). Asterisks preceding the description denote the subordination of the part to the next higher assembly.

**DEC Part No.** - Lists the Digital part ordering number. A blank in this column indicates a Digital part number was not assigned at the time of publication.

**ECO Cut-In** - The notation at the top of this column indicates the ECO level of the system (option), at which the IPB was initially prepared. Subsequent ECO level designations, that modify existing parts or add new parts to the device, are inserted in the ECO Cut-In column next to the part that is added or modified.

**Used On Code** - Letters in this column correspond to the variation codes assigned in Figure 1. Parts with an Alpha notation(s) are used only in those option variations. A blank indicates that the part is used on all option variations.

**Ref Fig No.** - A cross reference between illustrations. For each Major Assembly, the number in this column denotes the figure of the next higher assembly. For all subassemblies, the number in this column denotes the figure showing additional detailed breakdown.

**PART NUMBER/PART DESCRIPTION INDEX SECTION**  
Parts are indexed both numerically and alphabetically by description, referenced to a location within the IPB, by figure number and item number.

**REVISION HISTORY**

| REVISION HISTORY |                            |   | DATE      | OTHER IPB<br>MANUALS<br>REFERENCED |
|------------------|----------------------------|---|-----------|------------------------------------|
| PRINTING         | ECO LEVEL                  |   |           |                                    |
| 1st Printing     | VX11A<br>70-27989<br>H7109 | 00000-00000<br>00000-00000<br>00000-00000 | 28-DEC-90 | N/A                                |

Digital Equipment Corporation reserves the right, without notice, to make substitutions and modifications in the specifications of products documented in this manual and further reserves the right to withdraw any of these products from the market without notice.

Digital Equipment Corporation is not responsible for errors which may appear in the technical description (including illustrations and photographs) of the products covered by this manual.

None of the descriptions contained in this manual imply the granting of any license whatsoever to make, use or sell equipment constructed in accordance therewith.

Restricted Rights: Use, duplication or disclosure by the U.S. Government is subject to restrictions as set forth in subparagraph (c) (1) (ii) of the Rights in Technical Data and Computer Software clause at DFARS 252.227-2713.

Copyright © 1990 by Digital Equipment Corporation. All rights reserved.

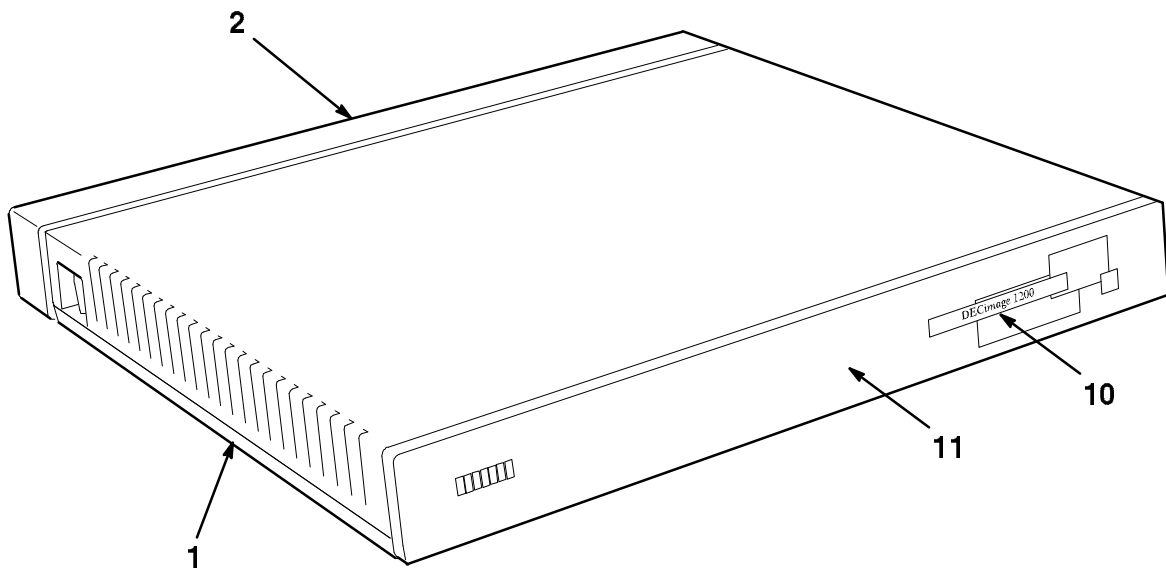
The postage-paid READER'S COMMENTS form on the last page of this document requests your critical evaluation to assist us in preparing future documentation.

The following are trademarks of Digital Equipment Corporation :

---

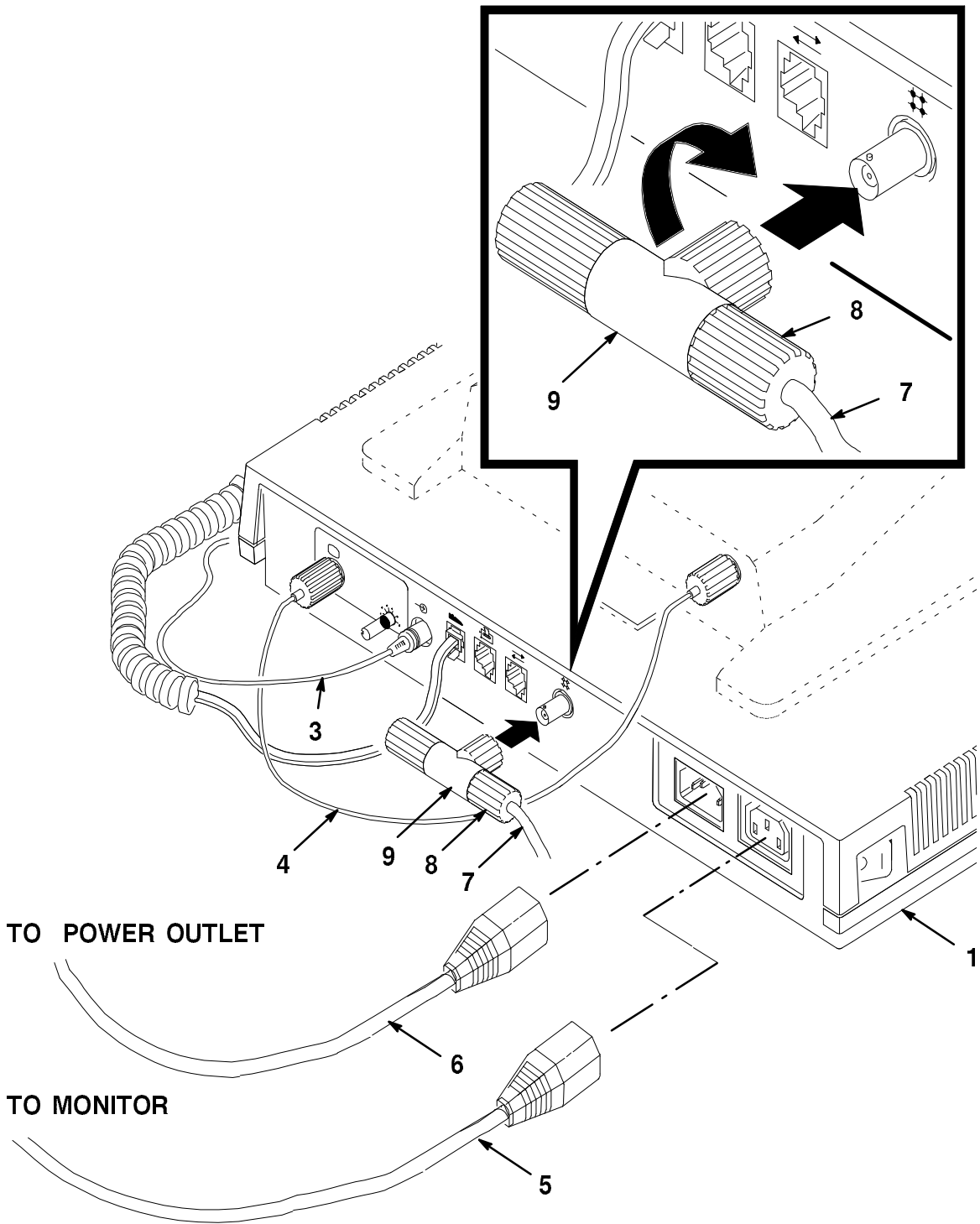


DEC  
DECdirect  
DECimage



D1200-01-IL

**Figure 1. DECimage 1200 System Box (Sheet 1 of 2)**

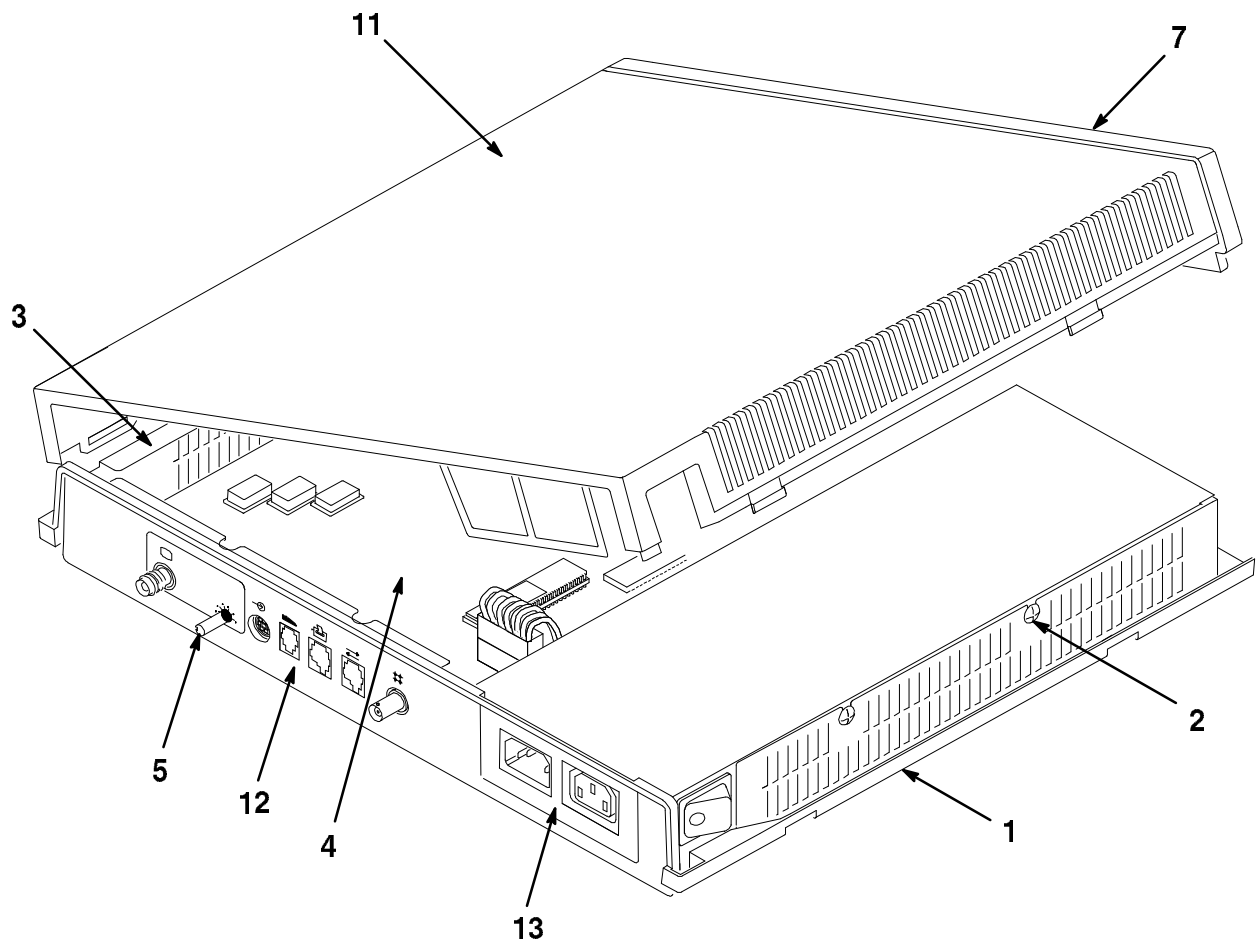


D1200-01A-IL

Figure 1. DECimage 1200 System Box (Sheet 2 of 2)

| FIG. & ITEM NO. | DESCRIPTION  | DEC PART NO. <sup>A</sup> | ECO CUT-IN VX11A 00000 | USED ON CODE | REF FIG NO. |
|-----------------|--|---------------------------|------------------------|--------------|-------------|
| 1-              | DECimage 1200 SYSTEM BOX US (120/240V)<br>DECimage 1200 SYSTEM BOX EUROPE (120/240V) | VX11A-AA<br>VX11A-AB      |                        | A<br>B       |             |
| 1               | *SYSTEM BOX ASSEMBLY   | 70-27989-01               |                        |              | 2           |
| 2               | *Panel, Dress  | 74-39906-01               |                        |              |             |
| 3               | *Cable, EIA (Oval) 10ft Data w/2 MMJ Conn.   | 17-00811-02               |                        |              |             |
| 4               | *Cable, Monochrome Video 15 inch   | 17-02441-01               |                        |              |             |
| 5               | *Cord, Power US 120V, 28 inch (Gray)   | 17-00442-32               |                        | A            |             |
|                 | *Cord, Power US 120V, 24.6 inch (Gray)   | 17-00442-26               |                        | A            |             |
|                 | *Cord, Power Europe 240V, 28 inch (Gray)   | 17-00365-28               |                        | B            |             |
|                 | *Cord, Power Europe 240V, 29 inch (Gray)   | 17-00365-22               |                        | B            |             |
| 6               | *Cord, Power US 120V, 75 inch (Gray)   | 17-00606-02               |                        | A            |             |
| 7               | *Cable, Coaxial  | 17-01241-09               |                        |              |             |
| 8               | *Connector, Coaxial  | 12-26318-01               |                        |              |             |
| 9               | *Tee, Coaxial  | 12-25869-01               |                        |              |             |
| 10              | *Logo, "DECimage"  | 36-34835-01               |                        |              |             |
| 11              | Bezel, Front (See Note)  | 74-39210-03               |                        |              |             |
|                 | ITEMS (Not Shown)  |                           |                        |              |             |
|                 | *Label, Legend Strip US  | 36-32049-14               |                        | A            |             |
|                 | *Adaptor, EIA  | 12-28172-01               |                        |              |             |
|                 | NOTE: Bezel is Part of Figure 2.<br>Shown Here For Clarity.                          |                           |                        |              |             |

THIS PAGE INTENTIONALLY LEFT BLANK

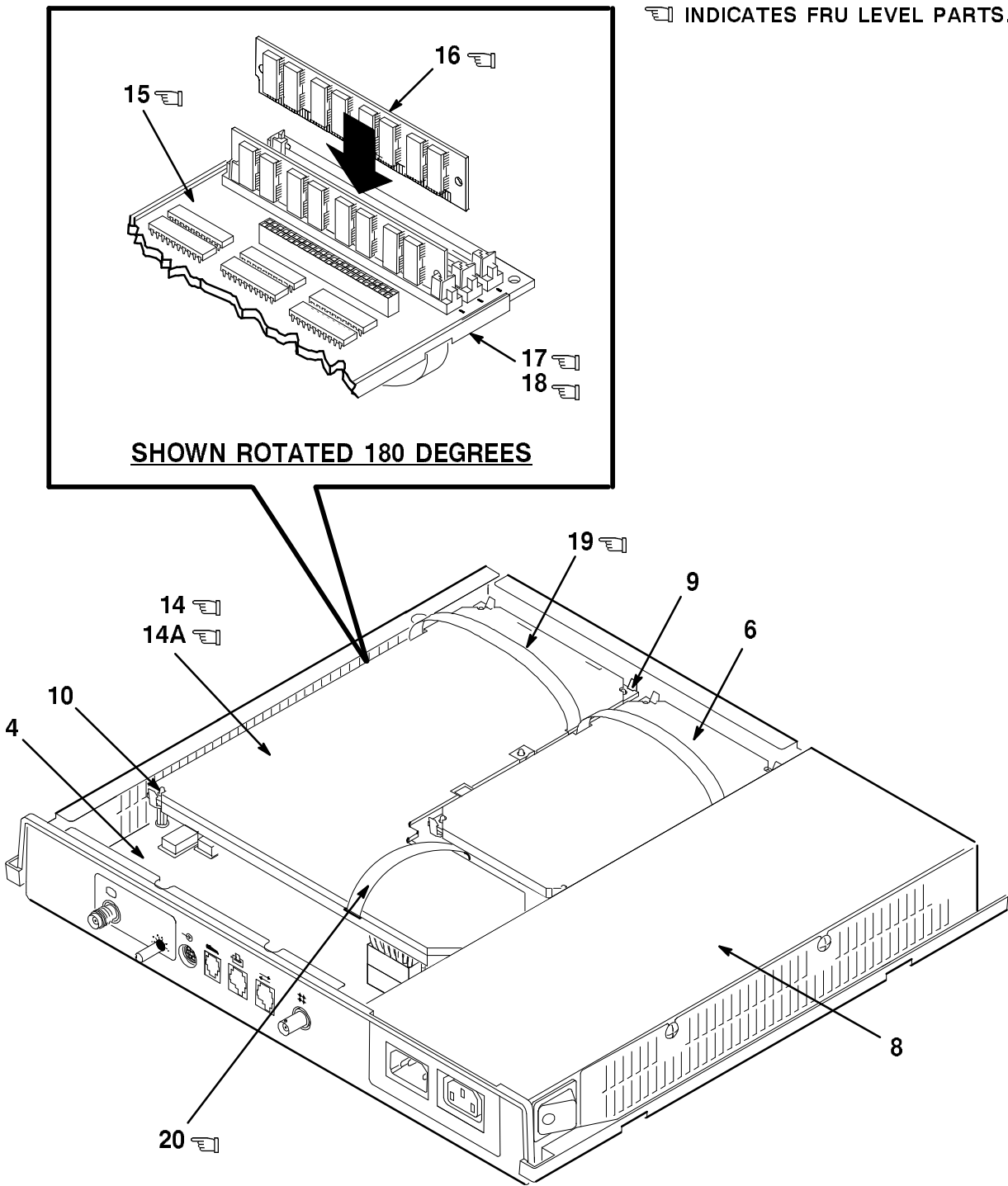


D1200-02-IL

**Figure 2. System Box Assembly (Sheet 1 of 2)**



☞ INDICATES FRU LEVEL PARTS.

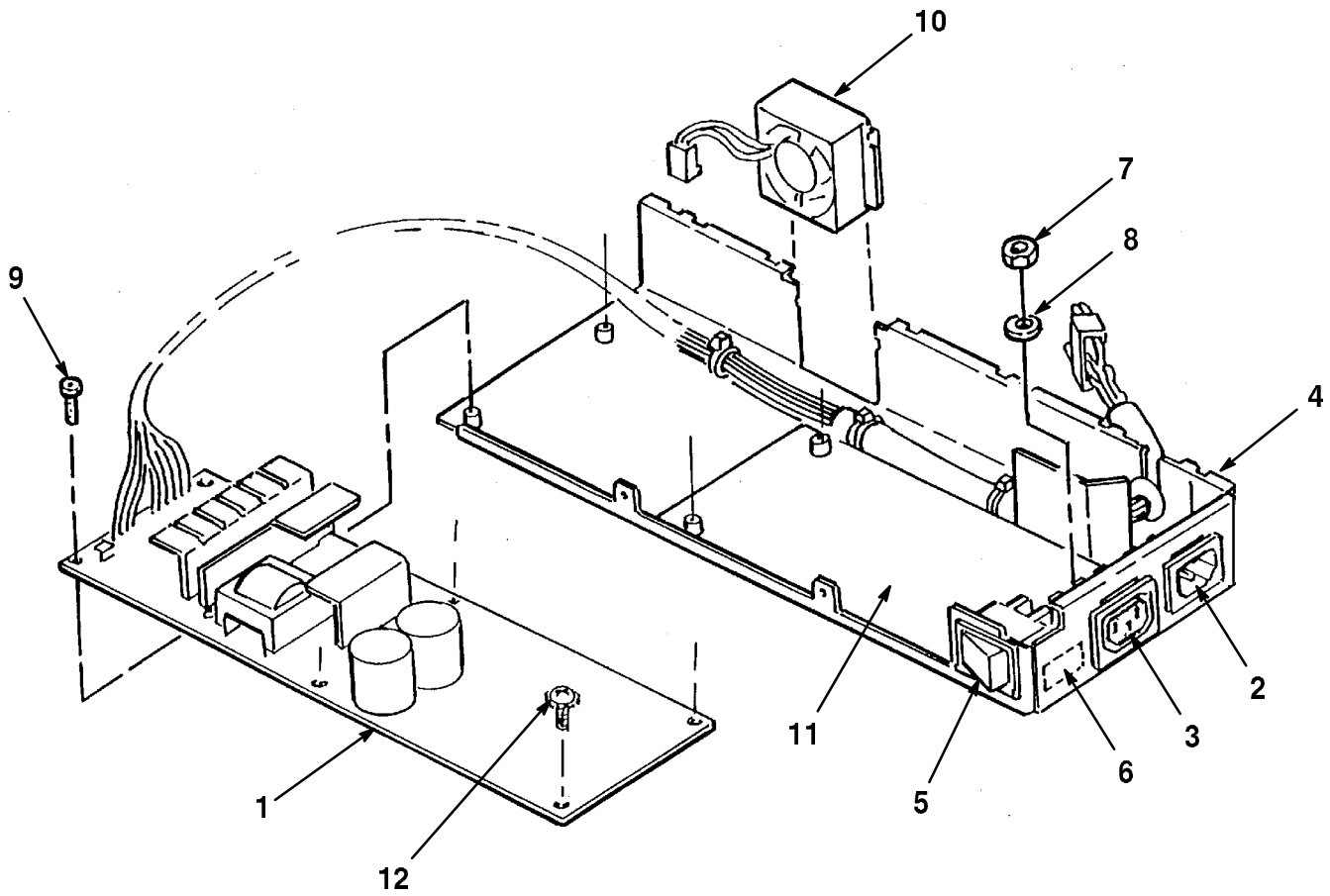


D1200-02A-IL

Figure 2. System Box Assembly (Sheet 2 of 2)

| FIG.&<br>ITEM<br>NO. | DESCRIPTION  | DEC<br>PART NO. | ECO<br>CUT-IN<br>70-27989<br>00000 | USED<br>ON<br>CODE | REF<br>FIG<br>NO. |
|----------------------|--|-----------------|------------------------------------|--------------------|-------------------|
| 2-                   | SYSTEM BOX ASSEMBLY                                    | 70-27989-01     |                                    |                    | 1                 |
| 1                    | *Enclosure, Bottom                                     | 74-39208-01     |                                    |                    |                   |
| 2                    | *Screw, Sems Phi Pan Hd No. 6-32 x 5/16                | 90-09984-07     |                                    |                    |                   |
| 3                    | *Chassis   | 74-39335-01     |                                    |                    |                   |
| 4                    | *MODULE, CPU   | 54-19783-01     |                                    |                    |                   |
| 5                    | **Switch, Video Select                                 | 74-39905-01     |                                    |                    |                   |
| 6                    | *Module, ROM   | 54-19803-03     |                                    |                    |                   |
| 7                    | *Bezel, Front (Not Shown) (See Note)                   | 74-39210-03     |                                    |                    |                   |
| 8                    | *POWER SUPPLY ASSEMBLY                                 | H7109-A         |                                    |                    | 3                 |
| 9                    | *Standoff, PC Module                                   | 12-19857-05     |                                    |                    |                   |
| 10                   | *Standoff, PC Module                                   | 12-19857-01     |                                    |                    |                   |
| 11                   | *Enclosure Assembly, Top                               | 70-27014-01     |                                    |                    |                   |
| 12                   | *Label, "SER/MOD/ICON"                                 | 36-32223-01     |                                    |                    |                   |
| 13                   | *Label, "VX10A AUX/POWER"                              | 36-32467-02     |                                    |                    |                   |
| 14                   | *IMAGE CARD ASSEMBLY (With SIMM CARD)                  | 70-27988-01     |                                    |                    |                   |
| ☞ 14A                | *IMAGE CARD ASSEMBLY (W/Out SIMM CARD)                 | 70-27988-02     |                                    |                    |                   |
| ☞ 15                 | **Module, Image/Memory Controller                      | 54-20332-01     |                                    |                    |                   |
| ☞ 16                 | **Module, SIMM 1MB                                     | 54-19805-AA     |                                    |                    |                   |
| ☞ 17                 | **IMAGE COVER ASSEMBLY                                 | 70-27987-01     |                                    |                    |                   |
| ☞ 18                 | ***Cover, Image  | 74-41596-01     |                                    |                    |                   |
| ☞ 19                 | ***Handle, ROM/RAM                                     | 74-40255-01     |                                    |                    |                   |
| ☞ 20                 | ***Handle, Image                                       | 74-40255-02     |                                    |                    |                   |
|                      | ITEMS (Not Shown)                                      |                 |                                    |                    |                   |
|                      | *Bumper, Rubber  | 90-10076-00     |                                    |                    |                   |
|                      | *Foot, Rubber  | 90-10738-01     |                                    |                    |                   |
|                      | *Label, "Regulatory"                                   | 36-32222-01     |                                    |                    |                   |
|                      | NOTE : Bezel Shown in Figure 1 Item 11<br>for clarity. |                 |                                    |                    |                   |

THIS PAGE INTENTIONALLY LEFT BLANK



D1200-03-BD

**Figure 3. Power Supply Assembly, H7109**

| FIG. & ITEM NO. | DESCRIPTION                               | DEC PART NO. <sup>A</sup> | ECO CUT-IN H7109 00000 | USED ON CODE | REF FIG NO. |
|-----------------|---|---------------------------|------------------------|--------------|-------------|
| 3-              | POWER SUPPLY ASSEMBLY, H7109              | H7109-A                   |                        |              | 2           |
| 1               | *Module, DWT Main                         | 54-19525-01               |                        |              |             |
| 2               | *Socket Assembly, AC Input                | 70-26583-01               |                        |              |             |
| 3               | *Socket Assembly, AC Output               | 70-26585-01               |                        |              |             |
| 4               | *CHASSIS                                  | 74-39336-01               |                        |              |             |
| 5               | **Switch, On/Off Rocker                   | 12-22355-10               |                        |              |             |
| 6               | *Label, "AUX/Output"                      | 36-32467-01               |                        |              |             |
| 7               | *Nut, Kep No. 10-32                       | 90-06565-01               |                        |              |             |
| 8               | *Washer, Flat                             | 90-06660-00               |                        |              |             |
| 9               | *Screw, Machine Phi Pan Hd No. 6-32 x 1/4 | 90-06020-01               |                        |              |             |
| 10              | *Fan Assembly                             | 70-26582-01               |                        |              |             |
| 11              | *Sheet, Insulator                         | 74-40205-01               |                        |              |             |
| 12              | *Screw, Sems Phi Pan Hd No. 6-32 x 1/4    | 90-10174-00               |                        |              |             |
|                 | ITEMS (Not Shown)                         |                           |                        |              |             |
|                 | *Tie, Cable                               | 90-07031-00               |                        |              |             |
|                 | *Label, "Danger High Voltage"             | 36-10267-02               |                        |              |             |
|                 | *Label, "Caution Replace Fuse"            | 36-17615-00               |                        |              |             |
|                 | *Label, "H7109-A Power Supply"            | 36-32224-01               |                        |              |             |
|                 |   |                           |                        |              | Ω           |

# **PART NUMBER/DESCRIPTION INDEX**

**INDEX BY DEC PART NUMBER**  
**DECimage 1200 SYSTEM BOX**

| PART NO.    | DESCRIPTION                               | FIG<br>NO. | ITEM<br>NO. |
|-------------|---|------------|-------------|
| 12-19857-01 | Standoff, PC Module                       | 2          | 10          |
| 12-19857-05 | Standoff, PC Module                       | 2          | 9           |
| 12-22355-10 | Switch, On/Off Rocker                     | 3          | 5           |
| 12-25869-01 | Tee, Coaxial                              | 1          | 9           |
| 12-26318-01 | Connector, Coaxial                        | 1          | 8           |
| 12-28172-01 | Adaptor, EIA                              | 1          | Not Shown   |
|             |   |            |             |
| 17-00365-22 | Cord, Power Europe 240V, 29 inch (Gray)   | 1          | 5           |
| 17-00365-28 | Cord, Power Europe 240V, 28 inch (Gray)   | 1          | 5           |
| 17-00442-26 | Cord, Power US 120V, 24.6 inch (Gray)     | 1          | 5           |
| 17-00442-32 | Cord, Power US 120V, 28 inch (Gray)       | 1          | 5           |
| 17-00606-02 | Cord, Power US 120V, 75 inch (Gray)       | 1          | 6           |
| 17-00811-02 | Cable, EIA (Oval) 10ft Data w/2 MMJ Conn. | 1          | 3           |
| 17-01241-09 | Cable, Coaxial                            | 1          | 7           |
| 17-02441-01 | Cable, Monochrome Video 15 inch           | 1          | 4           |
|             |   |            |             |
| 36-10267-02 | Label, "Danger High Voltage"              | 3          | Not Shown   |
| 36-17615-00 | Label, "Caution Replace Fuse"             | 3          | Not Shown   |
| 36-32049-14 | Label, "Legend Strip US"                  | 1          | Not Shown   |
| 36-32222-01 | Label, "Regulatory"                       | 2          | Not Shown   |
| 36-32223-01 | Label, "SER/MOD/ICON"                     | 2          | 12          |
| 36-32224-01 | Label, "H7109-A Power Supply"             | 3          | Not Shown   |
| 36-32467-01 | Label, "AUX/Output"                       | 3          | 6           |
| 36-32467-02 | Label, "VX10A AUX/POWER"                  | 2          | 13          |
| 36-34835-01 | Logo, "DECimage"                          | 1          | 10          |
|             |   |            |             |
| 54-19525-01 | Module, Image Main                        | 3          | 1           |
| 54-19783-01 | MODULE, CPU                               | 2          | 4           |
| 54-19803-03 | Module, ROM                               | 2          | 6           |
| 54-19805-AA | Module, SIMM 1MB                          | 2          | 16          |
| 54-20332-01 | Module, Image/Memory Controller           | 2          | 15          |
|             |   |            |             |
| 70-26582-01 | Fan Assembly                              | 3          | 10          |
| 70-26583-01 | Socket Assembly, AC Input                 | 3          | 2           |
| 70-26585-01 | Socket Assembly, AC Output                | 3          | 3           |
| 70-27014-01 | Enclosure Assembly, Top                   | 2          | 11          |
| 70-27987-01 | IMAGE COVER ASSEMBLY                      | 2          | 17          |
| 70-27988-01 | IMAGE CARD ASSEMBLY (With SIMM CARD)      | 2          | 14          |
| 70-27988-02 | IMAGE CARD ASSEMBLY (W/Out SIMM CARD)     | 2          | 14A         |
| 70-27989-01 | SYSTEM BOX ASSEMBLY                       | 1          | 1           |
| 70-27989-01 | SYSTEM BOX ASSEMBLY                       | 2          | N/A         |
|             |   |            |             |
| 74-39208-01 | Enclosure, Bottom                         | 2          | 1           |
| 74-39210-03 | Bezel, Front (Not Shown)                  | 2          | 7           |
| 74-39210-03 | Bezel, Front                              | 1          | 11          |
| 74-39335-01 | Chassis                                   | 2          | 3           |
| 74-39336-01 | CHASSIS                                   | 3          | 4           |
| 74-39905-01 | Switch, Video Select                      | 2          | 5           |
| 74-39906-01 | Panel, Dress                              | 1          | 2           |
| 74-40205-01 | Sheet, Insulator                          | 3          | 11          |
| 74-40255-01 | Handle, ROM/RAM                           | 2          | 19          |
| 74-40255-02 | Handle, Image                             | 2          | 20          |
| 74-41596-01 | Cover, Image                              | 2          | 18          |

**INDEX BY DEC PART NUMBER**  
**DECimage 1200 SYSTEM BOX**

| PART NO.    | DESCRIPTION                                | FIG<br>NO. | ITEM<br>NO. |
|-------------|--|------------|-------------|
| 90-06020-01 | Screw, Machine Phl Pan Hd No. 6-32 x 1/4   | 3          | 9           |
| 90-06565-01 | Nut, Kep No. 10-32                         | 3          | 7           |
| 90-06660-00 | Washer, Flat                               | 3          | 8           |
| 90-07031-00 | Tie, Cable                                 | 3          | Not Shown   |
| 90-09984-07 | Screw, Sems Phl Pan Hd No. 6-32 x 5/16     | 2          | 2           |
| 90-10076-00 | Bumper, Rubber                             | 2          | Not Shown   |
| 90-10174-00 | Screw, Sems Phl Pan Hd No. 6-32 x 1/4      | 3          | 12          |
| 90-10738-01 | Foot, Rubber                               | 2          | Not Shown   |
| H7109-A     | POWER SUPPLY ASSEMBLY, H7109               | 2          | 8           |
| H7109-A     | POWER SUPPLY ASSEMBLY, H7109               | 3          | N/A         |
| VX11A-AA    | DECimage 1200 SYSTEM BOX US (120/240V)     | 1          | N/A         |
| VX11A-AB    | DECimage 1200 SYSTEM BOX EUROPE (120/240V) | 1          | N/A         |

**INDEX BY DEC PART NUMBER**  
**DECimage 1200 SYSTEM BOX**

| PART NO. | DESCRIPTION | FIG<br>NO. | ITEM<br>NO. |
|----------|-------------|------------|-------------|
| PART NO. | DESCRIPTION | FIG<br>NO. | ITEM<br>NO. |

INDEX BY DEC PART NUMBER  
DECimage 1200 SYSTEM BOX

| PART NO. | DESCRIPTION | FIG<br>NO. | ITEM<br>NO. |
|----------|-------------|------------|-------------|
|----------|-------------|------------|-------------|

---

INDEX BY DEC PART NUMBER  
DECimage 1200 SYSTEM BOX

| PART NO. | DESCRIPTION | FIG<br>NO. | ITEM<br>NO. |
|----------|-------------|------------|-------------|
|----------|-------------|------------|-------------|

---

**INDEX BY DEC PART NUMBER**  
**DECimage 1200 SYSTEM BOX**

| <b>PART NO.</b> | <b>DESCRIPTION</b> | <b>FIG<br/>NO.</b> | <b>ITEM<br/>NO.</b> |
|-----------------|--------------------|--------------------|---------------------|
|-----------------|--------------------|--------------------|---------------------|

---

\*\*\*NOTE\*\*\*

When the description includes "added" or "deleted, ALWAYS refer to the figure parts list for the latest part description.

# INDEX BY DEC PART DESCRIPTION

## DECimage 1200 SYSTEM BOX

| DESCRIPTION                                | DEC<br>PART NO. | FIG.<br>NO. | ITEM<br>NO. |
|--|-----------------|-------------|-------------|
| Adaptor, EIA                               | 12-28172-01     | 1           | Not Shown   |
| Bezel, Front                               | 74-39210-03     | 1           | 11          |
| Bezel, Front (Not Shown)                   | 74-39210-03     | 2           | 7           |
| Bumper, Rubber                             | 90-10076-00     | 2           | Not Shown   |
| Cable, Coaxial                             | 17-01241-09     | 1           | 7           |
| Cable, EIA (Oval) 10ft Data w/2 MMJ Conn.  | 17-00811-02     | 1           | 3           |
| Cable, Monochrome Video 15 inch            | 17-02441-01     | 1           | 4           |
| CHASSIS                                    | 74-39336-01     | 3           | 4           |
| Chassis                                    | 74-39335-01     | 2           | 3           |
| Connector, Coaxial                         | 12-26318-01     | 1           | 8           |
| Cord, Power Europe 240V, 28 inch (Gray)    | 17-00365-28     | 1           | 5           |
| Cord, Power Europe 240V, 29 inch (Gray)    | 17-00365-22     | 1           | 5           |
| Cord, Power US 120V, 24.6 inch (Gray)      | 17-00442-26     | 1           | 5           |
| Cord, Power US 120V, 28 inch (Gray)        | 17-00442-32     | 1           | 5           |
| Cord, Power US 120V, 75 inch (Gray)        | 17-00606-02     | 1           | 6           |
| Cover, Image                               | 74-41596-01     | 2           | 18          |
| DECimage 1200 SYSTEM BOX EUROPE (120/240V) | VX11A-AB        | 1           | N/A         |
| DECimage 1200 SYSTEM BOX US (120/240V)     | VX11A-AA        | 1           | N/A         |
| Enclosure Assembly, Top                    | 70-27014-01     | 2           | 11          |
| Enclosure, Bottom                          | 74-39208-01     | 2           | 1           |
| Fan Assembly                               | 70-26582-01     | 3           | 10          |
| Foot, Rubber                               | 90-10738-01     | 2           | Not Shown   |
| Handle, Image                              | 74-40255-02     | 2           | 20          |
| Handle, ROM/RAM                            | 74-40255-01     | 2           | 19          |
| IMAGE CARD ASSEMBLY (W/Out SIMM CARD)      | 70-27988-02     | 2           | 14A         |
| IMAGE CARD ASSEMBLY (With SIMM CARD)       | 70-27988-01     | 2           | 14          |
| IMAGE COVER ASSEMBLY                       | 70-27987-01     | 2           | 17          |
| Label, "AUX/Output"                        | 36-32467-01     | 3           | 6           |
| Label, "Caution Replace Fuse"              | 36-17615-00     | 3           | Not Shown   |
| Label, "H7109-A Power Supply"              | 36-32224-01     | 3           | Not Shown   |
| Label, "Regulatory"                        | 36-32222-01     | 2           | Not Shown   |
| Label, "SER/MOD/ICON"                      | 36-32223-01     | 2           | 12          |
| Label, "VX10A AUX/POWER"                   | 36-32467-02     | 2           | 13          |
| Label, "Legend Strip US"                   | 36-32049-14     | 1           | Not Shown   |
| Label, "Danger High Voltage"               | 36-10267-02     | 3           | Not Shown   |
| Logo, "DECimage"                           | 36-34835-01     | 1           | 10          |
| MODULE, CPU                                | 54-19783-01     | 2           | 4           |
| Module, Image Main                         | 54-19525-01     | 3           | 1           |
| Module, Image/Memory Controller            | 54-20332-01     | 2           | 15          |
| Module, SIMM 1MB                           | 54-19805-AA     | 2           | 16          |
| Module, ROM                                | 54-19803-03     | 2           | 6           |
| Nut, Kep No. 10-32                         | 90-06565-01     | 3           | 7           |
| Panel, Dress                               | 74-39906-01     | 1           | 2           |

**INDEX BY DEC PART DESCRIPTION**  
**DECimage 1200 SYSTEM BOX**

| DESCRIPTION                              | DEC<br>PART NO. | FIG.<br>NO. | ITEM<br>NO. |
|--|-----------------|-------------|-------------|
| POWER SUPPLY ASSEMBLY, H7109             | H7109-A         | 2           | 8           |
| POWER SUPPLY ASSEMBLY, H7109             | H7109-A         | 3           | N/A         |
| Screw, Machine Phi Pan Hd No. 6-32 x 1/4 | 90-06020-01     | 3           | 9           |
| Screw, Sems Phi Pan Hd No. 6-32 x 1/4    | 90-10174-00     | 3           | 12          |
| Screw, Sems Phi Pan Hd No. 6-32 x 5/16   | 90-09984-07     | 2           | 2           |
| Sheet, Insulator                         | 74-40205-01     | 3           | 11          |
| Socket Assembly, AC Input                | 70-26583-01     | 3           | 2           |
| Socket Assembly, AC Output               | 70-26585-01     | 3           | 3           |
| Standoff, PC Module                      | 12-19857-01     | 2           | 10          |
| Standoff, PC Module                      | 12-19857-05     | 2           | 9           |
| Switch, On/Off Rocker                    | 12-22355-10     | 3           | 5           |
| Switch, Video Select                     | 74-39905-01     | 2           | 5           |
| SYSTEM BOX ASSEMBLY                      | 70-27989-01     | 2           | N/A         |
| SYSTEM BOX ASSEMBLY                      | 70-27989-01     | 1           | 1           |
| Tee, Coaxial                             | 12-25869-01     | 1           | 9           |
| Tie, Cable                               | 90-07031-00     | 3           | Not Shown   |
| Washer, Flat                             | 90-06660-00     | 3           | 8           |

# READER'S COMMENTS

DECimage 1200 SYSTEM BOX ASSEMBLY  
Illustrated Parts Breakdown  
EK-D1200-IP-001

## 1. How did you use this manual? (Circle your response.)

- (a) Installation                      (c) Maintenance                      (e) Training  
(b) Operation/Use                      (d) Programming                      (f) Other (Please specify) \_\_\_\_\_

## 2. Did the manual meet your needs? Yes No Why? \_\_\_\_\_

## 3. Please rate the manual on the following categories. (Circle your response.)

|                         | Excellent | Good | Fair | Poor | Unacceptable |
|-------------------------|-----------|------|------|------|--------------|
| Accuracy                | 5         | 4    | 3    | 2    | 1            |
| Clarity                 | 5         | 4    | 3    | 2    | 1            |
| Completeness            | 5         | 4    | 3    | 2    | 1            |
| Illustrations, examples | 5         | 4    | 3    | 2    | 1            |
| Overall ease of use     | 5         | 4    | 3    | 2    | 1            |
| Table of Content, Index | 5         | 4    | 3    | 2    | 1            |

## 4. What things did you like *most* about this manual? \_\_\_\_\_

## 5. What things did you like *least* about this manual? \_\_\_\_\_

## 6. Please list and describe any errors you found in the manual.

| Page  | Description/Location of Error |
|-------|-------------------------------|
| _____ | _____                         |
| _____ | _____                         |
| _____ | _____                         |
| _____ | _____                         |

## 7. Which of the following most clearly describes your job ? (Circle your response.)

- (a) Administrative Support                      (e) System Manager                      (i) Education/Trainer  
(b) Manager/Supervisor                      (f) Computer Operator                      (j) Sales/Marketing  
(c) Scientist/Engineer                      (g) Software Support                      (k) Other (Please specify) \_\_\_\_\_  
(d) Programmer/Analyst                      (h) Hardware Support

### OPTIONAL INFORMATION

Name \_\_\_\_\_ Job Title \_\_\_\_\_  
Street \_\_\_\_\_ Company \_\_\_\_\_  
City \_\_\_\_\_ Department \_\_\_\_\_  
State/Country \_\_\_\_\_ Telephone Number \_\_\_\_\_  
Postal (ZIP) Code \_\_\_\_\_ Date \_\_\_\_\_

**THANK YOU FOR YOUR COMMENTS AND SUGGESTIONS.**

Please do not use this form to order manuals. Contact your representative at Digital Equipment Corporation or (in the USA) call our DECdirect™ department at this toll-free number : 800-258-1710