

PARTS LIST

| LINE | ITEM | DOCUMENT NUMBER | PART NUMBER | DESCRIPTION | QUANTITY PER VARIATION | | |
|------|------|------------------|-------------|-----------------------------------|------------------------|---|---|
| | | | | | A | B | C |
| 1 | 1 | | 1220292-01 | WASHER, PLASTIC FOR 12-20243-01 | 1 | 1 | 1 |
| 2 | 2 | E-AD-7019579-0-0 | 7019579-00 | REAR COVER ASSY | 1 | 1 | 1 |
| 3 | 3 | | 9006025-01 | SCREW, MACH PAN PHIL 6- | 1 | 1 | 1 |
| 4 | 4 | | 1220293-01 | CAP, SNAP OFF WHITE FOR 12-20292- | 1 | 1 | 1 |
| 5 | 5 | E-AD-7019578-0-0 | 7019578-00 | BEZEL ASSY (WHT POS) | 1 | - | - |
| 6 | 6 | E-AD-7019578-0-0 | 7019578-01 | BEZEL ASSY, (GRN POS) | - | 1 | - |
| 7 | 7 | E-AD-7019578-0-0 | 7019578-02 | BEZEL ASSY, (AMBER POS) | - | - | 1 |
| 8 | 8 | | 9006659-00 | WASHER, FLAT | 1 | 1 | 1 |
| 9 | 9 | A-PA-3700688-0-0 | 3700688-01 | PKG. MONITOR VR201 STEEL | 1 | 1 | 1 |

| REVISION HISTORY | | BASIC PART NO: VR201 | | DRN: B. NETTO <i>BN</i> | | DATE: 3-MAY-82 | | DIGITAL | |
|------------------|------------|----------------------|--------------------------|-------------------------|-----------------------|----------------------|-----------|--------------|-----------------|
| ENG | ECO NUMBER | REV | SECTION A OF A | CHK'D: | D. HEALY <i>DH</i> | DATE: | 4-MAY-82 | TITLE | PARTS LIST |
| | INITIAL | A | SECTION. VARIATION INDEX | | | | | MONITOR ASSY | |
| | | | [A] A, B, C | | | | | | |
| | | | [B] | DES. ENG.: | D. MOORE <i>DM</i> | DATE: | 4-MAY-82 | | |
| | | | [C] | RESP. ENG.: | D. BOUDREAU <i>DB</i> | DATE: | 4-MAY-82 | | DOCUMENT NUMBER |
| | | | [D] | | | | | SIZE | CODE |
| | | | [E] | MFG. ENG.: | G. WU <i>GW</i> | DATE: | 04-MAY-82 | K | PL |
| | | | [F] | ASSEMBLY NUMBER: | | TOP DOCUMENT NUMBER: | | FILE NAME: | EDIT # |
| | | | | E-UA-VR201-0-0 | | #PC350 | | Z4564A.FLS | 12 |

*THIS DRAWING AND SPECIFICATIONS HEREIN, ARE THE PROPERTY OF DIGITAL EQUIPMENT CORPORATION AND SHALL NOT BE REPRODUCED OR COPIED OR USED IN WHOLE OR IN PART AS THE BASIS FOR THE MANUFACTURE OR SALE OF ITEMS WITHOUT WRITTEN PERMISSION. COPYRIGHT (C) 1982. DIGITAL EQUIPMENT CORPORATION *

AUTOMATED BY PRTLST.3P(44)

PARTS LIST

SHEET A1 OF A4

| LINE | ITEM | TOP DOCUMENT | PART NUMBER | MIN REV | DESCRIPTION | VARIATION REVISION LEVEL: | QTY | PER VARIATION | REFERENCE DESIGNATOR |
|------|------|------------------|-------------|---------|-------------------------------|---------------------------|-----|---------------|----------------------------------|
| 1 | 1 | D-MD-5015499-0-0 | 5015499-00 | | CIRCUIT DRILL & ETCH | | 1 | | |
| 2 | 2 | | 10000C9-00 | | 33.0 MMF 100V 5%200PPM MICA | | 1 | | |
| 3 | 3 | | 1000016-00 | | 100.0 MMF 100V 5%200PPM MICA | | 1 | | C36 |
| 4 | 4 | | 1000060-00 | | 6800.0 MMF 200V 10% MYLR | | 1 | | C206 |
| 5 | 5 | | 1001631-00 | | 390.0 MMF 100V 5%200PPM MICA | | 1 | | C307 |
| 6 | 6 | | 1004813-00 | | 10 MFD 20V 10% S.TANT | | 1 | | C99 |
| 7 | 7 | | 1009312-00 | | .0047 MFD 100V 1% MYLR | | 2 | | C15,C43 |
| 8 | 8 | | 1010274-02 | | 1 MFD 50V +80-20% CER | | 1 | | C13 |
| 9 | 9 | | 1010978-36 | | .1 MFD 50V 10% CER | | 5 | | C601 |
| 10 | 10 | | 1010978-40 | | .22 MFD 50V 10% CER | | 3 | | C306,C314,C316,C406,C407 |
| 11 | 11 | | 1012219-00 | | 47 MFD 30V +75-10% AL EL | | 1 | | C204,C205,C200 |
| 12 | 12 | | 1012312-01 | | .47 MFD 50V +80-20% CER | | 8 | | C211 |
| 13 | 13 | | 1012784-00 | | .047 MFD 50V +80-20% CER | | 1 | | C1,C3,C4,C16,C207,C311,C313,C217 |
| 14 | 14 | | 1013280-00 | | 680.0 MMF 1000V 5%200PPM MICA | | 1 | | C214 |
| 15 | 15 | | 1013291-00 | | *** THIS ITEM IS NOT USED *** | | - | | C500 |
| 16 | 16 | | 1013669-02 | | .10 MFD 150V 5% M.POLYPROP | | 3 | | |
| 17 | 17 | | 1013963-00 | | 3300.0 MMF 500V 20% Z5U DISC | | 3 | | C35,C37,C38 |
| 18 | 18 | | 1014052-00 | | 100 MFD 25V+100-10% AL EL | | 5 | | C400,C401,C403 |
| 19 | 19 | | 1016544-00 | | .1 MFD 100V 10% MYLR | | 4 | | C34,C310,C312,C404,C39 |
| 20 | 20 | | 1016546-00 | | .22 MFD 660V 10% MET. MYLR | | 2 | | C19,C22,C25,C40 |
| 21 | 21 | | 1016547-00 | | *** THIS ITEM IS NOT USED *** | | - | | C216,C308 |
| 22 | 22 | | 1016548-00 | | 1000 MFD 16V +50-10% AL EL | | 4 | | |
| 23 | 23 | | 1016553-00 | | 4.7MFD 25V +75-10% AL EL | | 1 | | C24,C30,C41,C303 |
| 24 | 24 | | 1016555-00 | | 22 MFD 50V +50-10% AL EL | | 4 | | C209 |
| 25 | 25 | | 1016557-00 | | 470 MFD 16V +50-10% AL EL | | 3 | | C18,C26,C32,C300 |
| 26 | 26 | | 1016558-00 | | 10 MFD 25V 20% AL EL | | 1 | | C42,C309,C318 |
| 27 | 27 | | 1016571-00 | | .02 MFD 500V +80-20%Z5U DISC | | 1 | | C23 |
| 28 | 28 | | 1017891-02 | | .01 MFD 50V 5% POLYPROP | | 1 | | C5 |
| 29 | 29 | | 1019559-01 | | .02 MFD 1000V +80-20% CER | | 3 | | C10 |
| 30 | 30 | | 1020166-01 | | 10 MFD 250V +50-10% AL EL | | 1 | | C27,C29,C317 |

| REVISION HISTORY | | | BASIC PART NO: 5415500 | | | | | | | | |
|------------------|---------------|-----|-------------------------|------------------|--------------|----------------------|-----------|------------------|------------|---------------|-----|
| ENG | ECO NUMBER | REV | SECTION A OF A | DRN: | R.Z. BUREAU | DATE: | 03-MAY-82 | D I G I T A L | | | |
| --- | INITIAL | A | SECTION VARIATION INDEX | CHK'D: | JOHN COTE | DATE: | 22-JUN-82 | TITLE PARTS LIST | | | |
| JF | 5415500-ML001 | B | (A) 00 | DES.ENG: | BILL NOTT | DATE: | 22-JUN-82 | DOCUMENT NUMBER | | | |
| BN | 5415500-ML002 | C | (B) | RESP.ENG.: | BILL NOTT | DATE: | 22-JUN-82 | SIZE | CODE | NUMBER | REV |
| JF | 5415500-ML003 | D | (C) | MFG.ENG.: | CLYDE TANNER | DATE: | 24-JUN-82 | K | PL | 5415500-0-DBP | M |
| CT | 5415500-ML004 | E | (D) | ASSEMBLY NUMBER: | | TOP DOCUMENT NUMBER: | | RELEASE DATE: | | 30-MAR-84 | |
| CT | 5415500-ML005 | F | (E) | D-UA-5415500-0-0 | | #B-DD-5415500-0 | | FILE NAME: | Z4454M.PLS | EDIT # | 35 |
| BN | 5415500-ML006 | H | (F) | | | | | | | | |
| BN | 5415500-ML007 | J | (H) | | | | | | | | |
| BN | 5415500-ML008 | K | (J) | | | | | | | | |
| AJ | 5415500-ML009 | L | (K) | | | | | | | | |
| AJ | 5415500-ML012 | M | (L) | | | | | | | | |
| | | | (M) | | | | | | | | |
| | | | (N) | | | | | | | | |

"THIS DRAWING AND THE SPECIFICATIONS CONTAINED HEREIN ARE CONFIDENTIAL AND PROPRIETARY. THEY ARE THE PROPERTY OF DIGITAL EQUIPMENT CORPORATION AND SHALL NOT BE REPRODUCED OR COPIED OR USED IN WHOLE OR IN PART AS THE BASIS FOR THE MANUFACTURE OR SALE OF ITEMS WITHOUT WRITTEN PERMISSION. THIS IS AN UNPUBLISHED WORK PROTECTED UNDER THE FEDERAL COPYRIGHT LAWS."

| LINE | ITEM | TOP DOCUMENT | PART NUMBER | MIN REV | DESCRIPTION | QTY | PER VARIATION | REFERENCE DESIGNATOR |
|------|------|--------------|-------------|---------|----------------------------------|-----|---------------|-----------------------|
| | | | | | VARIATION REVISION LEVEL: | 00 | | |
| | | | | | | J3 | | |
| 31 | 31 | | 1105796-00 | | PIV= 400 IO= 1.00A 1N4004 D0-41 | 6 | | D3,D21,D302-D304,D400 |
| 32 | 32 | | 1109443-00 | | VZ= 5.1 5% 50 W 1N5231B | 1 | | D11 |
| 33 | 33 | | 1109502-00 | | VZ= 12.0 10% 1 W 1N4742 | 1 | | D9 |
| 34 | 34 | | 1109988-00 | | VZ= 13.0 5% 400 MW 1N964B | 1 | | D404 |
| 35 | 35 | | 1112594-02 | | PIV= 600 IO= 3.00A | 2 | | D6,D301 |
| 36 | 36 | | 1112595-01 | | PIV= 200 IO= 1.00A AXIAL | 4 | | D1,D2,D4,D7 |
| 37 | 37 | | 1112595-02 | | PIV= 600 IO= 1.00A AXIAL | 1 | | D300 |
| 38 | 38 | | 1115112-00 | | RECT,ULTRA FAST PIV= 800 IO= 1.0 | 1 | | D5 |
| 39 | 39 | | 1120091-01 | | VZ= 9.6 1% 500 MW | 1 | | D202 |
| 40 | 40 | | 1210929-05 | | FUSE, SUB-MINI, 2.500A, 125V, A | 1 | | F1 |
| 41 | 41 | | 1212487-02 | | HEAT SINK 01.18X01. | 2 | | |
| 42 | 42 | | 1214460-01 | | *** THIS ITEM IS NOT USED *** | - | | |
| 43 | 43 | | 1215228-03 | | HEAT SINKS,T0-220 1.250X0.87 | 1 | | |
| 44 | 44 | | 1216521-00 | | PCB,HEADER 04PIN(1X04).156CC STR | 1 | | J2 |
| 45 | 45 | | 1218826-00 | | CONN,PHONE JACK 04 POS | 1 | | J3 |
| 46 | 46 | | 1219608-01 | | CONN,HI V 07POS SOCKET CRT | 1 | | P1 |
| 47 | 47 | | 1220128-01 | | HEAT SINK,T0-202 1.450X01. | 1 | | |
| 48 | 48 | | 1300168-00 | | 10.0 .50 W 5.0 % CF | 1 | | R20 |
| 49 | 49 | | 1300197-00 | | 33.0 .25 W 5.0 % CF | 1 | | R19 |
| 50 | 50 | | 1300228-00 | | 100.0 .50 W 5.0 % CF | 1 | | R44 |
| 51 | 51 | | 1300229-00 | | 100.0 .25 W 5.0 % CF | 1 | | R108 |
| 52 | 52 | | 1300249-00 | | 150.0 .50 W 5.0 % CF | 1 | | R311 |
| 53 | 53 | | 1300250-00 | | 150.0 .25 W 5.0 % CF | 1 | | R57 |
| 54 | 54 | | 1300271-00 | | 220.0 .25 W 5.0 % CF | 3 | | R600,R603,R601 |
| 55 | 55 | | 1300274-00 | | 220.0 .50 W 5.0 % CF | 1 | | R35 |
| 56 | 56 | | 1300316-00 | | 470.0 .25 W 5.0 % CF | 3 | | R6,R7,R227 |
| 57 | 57 | | 1300348-00 | | 680.0 2.0 W 5.0 % CC | 1 | | R34 |
| 58 | 58 | | 1300365-00 | | 1.0 K .25 W 5.0 % CF | 1 | | R225 |
| 59 | 59 | | 1300398-00 | | *** THIS ITEM IS NOT USED *** | - | | |
| 60 | 60 | | 1300417-00 | | *** THIS ITEM IS NOT USED *** | - | | |
| 61 | 61 | | 1300426-00 | | *** THIS ITEM IS NOT USED *** | - | | |
| 62 | 62 | | 1300439-00 | | 3.30 K .25 W 5.0 % CF | 1 | | R39 |
| 63 | 63 | | 1300444-00 | | *** THIS ITEM IS NOT USED *** | - | | |
| 64 | 64 | | 1300445-00 | | 4.70 K .50 W 5.0 % CF | 1 | | R40 |
| 65 | 65 | | 1300447-00 | | 4.70 K .25 W 5.0 % CF | 3 | | R117,R501,R209 |
| 66 | 66 | | 1300521-00 | | *** THIS ITEM IS NOT USED *** | - | | |
| 67 | 67 | | 1301310-00 | | 270.0 K .25 W 5.0 % CF | 1 | | R224 |
| 68 | 68 | | 1301317-00 | | 10.0 .25 W 5.0 % CF | 2 | | R106,R605 |
| 69 | 69 | | 1301320-00 | | *** THIS ITEM IS NOT USED *** | - | | |
| 70 | 70 | | 1301477-00 | | *** THIS ITEM IS NOT USED *** | - | | |
| 71 | 71 | | 1301969-00 | | 22.0 .25 W 5.0 % CF | 2 | | R107,R216 |
| 72 | 72 | | 1301972-00 | | 270.0 .25 W 5.0 % CF | 3 | | R12,R61,R502 |
| 73 | 73 | | 1302092-00 | | 220.0 K .25 W 5.0 % CF | 1 | | R36 |
| 74 | 74 | | 1302379-00 | | 75.0 .25 W 5.0 % CF | 1 | | R8 |
| 75 | 75 | | 1302391-00 | | 20.0 K .25 W 5.0 % CF | 1 | | R214 |
| 76 | 76 | | 1302395-00 | | *** THIS ITEM IS NOT USED *** | - | | |
| 77 | 77 | | 1302396-00 | | 150.0 K .25 W 5.0 % CF | 1 | | R500 |
| 78 | 78 | | 1302397-00 | | 180.0 K .25 W 5.0 % CF | 1 | | R204 |

| | | | | | | | | | | | | | | |
|---|---|---|---|---|---|---|---------------|-----------|----|---|------|------|-----------------|-----|
| D | I | G | I | T | A | L | TITLE | SECTION A | OF | A | SIZE | CODE | DOCUMENT NUMBER | REV |
| | | | | | | | VR201 MONITOR | | | | K | PL | 5415500-0-DBP | M |

| LINE | ITEM | TOP DOCUMENT | PART NUMBER | MIN REV | DESCRIPTION | QTY | PER VARIATION | REFERENCE DESIGNATOR |
|------|------|--------------|-------------|---------|-------------------------------|-----|---------------|-------------------------------|
| | | | | | VARIATION REVISION LEVEL: | 00 | | |
| | | | | | | J3 | | |
| 79 | 79 | | 1302411-00 | | 511.0 .25 W 1.0 % RN55D-F10 | 1 | | R10 |
| 80 | 80 | | 1302465-00 | | *** THIS ITEM IS NOT USED *** | - | | |
| 81 | 81 | | 1302466-00 | | 100.0 K .25 W 5.0 % CF | 6 | | R210,R217,R230,R316,R317,R602 |
| 82 | 82 | | 1302887-00 | | 130.0 .25 W 1.0 % RN55D-F10 | 2 | | R219,R503 |
| 83 | 83 | | 1303114-00 | | 1.0 K .25 W 1.0 % RN55D-F10 | 1 | | R319 |
| 84 | 84 | | 1303177-00 | | 2.40 K .25 W 5.0 % CF | 1 | | R228 |
| 85 | 85 | | 1303187-00 | | 820.0 K .25 W 5.0 % CF | 1 | | R320 |
| 86 | 86 | | 1303219-00 | | 82.0 K .25 W 5.0 % CF | 3 | | R110,R212,R54 |
| 87 | 87 | | 1304833-00 | | 1.96 K .25 W 1.0 % RN55D-F10 | 1 | | R14 |
| 88 | 88 | | 1304841-00 | | 75.0 K .25 W 5.0 % CF | 3 | | R206,R222,R400 |
| 89 | 89 | | 1304855-00 | | 9.09 K .25 W 1.0 % RN55D-F10 | 1 | | R211 |
| 90 | 90 | | 1304868-00 | | 2.74 K .25 W 1.0 % RN55D-F10 | 2 | | R17,R18 |
| 91 | 91 | | 1305131-00 | | *** THIS ITEM IS NOT USED *** | - | | |
| 92 | 92 | | 1305890-00 | | *** THIS ITEM IS NOT USED *** | - | | |
| 93 | 93 | | 1309386-00 | | *** THIS ITEM IS NOT USED *** | - | | |
| 94 | 94 | | 1309405-00 | | 68.0 .50 W 5.0 % CF | 1 | | R28 |
| 95 | 95 | | 1309422-00 | | 5.10 .25 W 5.0 % CF | 1 | | R315 |
| 96 | 96 | | 1309595-00 | | 1.0 M .25 W 5.0 % CF | 2 | | R207,R208 |
| 97 | 97 | | 1309680-00 | | 2.70 M .25 W 5.0 % CF | 2 | | R41,R42 |
| 98 | 98 | | 1311422-00 | | 178.0 .25 W 1.0 % RN55D-F10 | 2 | | R2,R3 |
| 99 | 99 | | 1311845-00 | | 487.0 .25 W 1.0 % RN55D-F10 | 1 | | R220 |
| 100 | 100 | | 1312482-00 | | 2.70 .25 W 5.0 % CF | 2 | | R301,R314 |
| 101 | 101 | | 1312747-00 | | *** THIS ITEM IS NOT USED *** | - | | |
| 102 | 102 | | 1312989-00 | | *** THIS ITEM IS NOT USED *** | - | | |
| 103 | 103 | | 1313151-00 | | 3.60 K .25 W 5.0 % CF | 1 | | R313 |
| 104 | 104 | | 1313580-00 | | 360.0 .25 W 5.0 % CF | 1 | | R312 |
| 105 | 105 | | 1313589-00 | | 1.40 K .25 W 1.0 % RN55D-F10 | 1 | | R64 |
| 106 | 106 | | 1313794-00 | | 787.0 .25 W 1.0 % RN55D-F10 | 1 | | R15 |
| 107 | 107 | | 1315725-00 | | .50 5.0 W 3.0 % WW | 1 | | R45 |
| 108 | 108 | | 1316012-00 | | .10 2.0 W 5.0 % WW | 1 | | R215 |
| 109 | 109 | | 1316522-01 | | 100.0 K .25 W20.0 % POT | 2 | | R48,R53 |
| 110 | 110 | | 1316522-02 | | 5.0 M .25 W20.0 % POT | 2 | | R43,R120 |
| 111 | 111 | | 1316522-03 | | 1.0 K .25 W20.0 % POT | 1 | | R119 |
| 112 | 112 | | 1316522-05 | | 250.0 K .25 W20.0 % POT | 2 | | R218,R50 |
| 113 | 113 | | 1316522-06 | | 25.0 K .25 W20.0 % POT | 1 | | R213 |
| 114 | 114 | | 1316836-00 | | 402.0 .25 W 1.0 % RN55D-F10 | 1 | | R318 |
| 115 | 115 | | 1316845-00 | | 3.30 .50 W 5.0 % CF | 2 | | R56,R309 |
| 116 | 116 | | 1317522-00 | | 1.0 .25 W 5.0 % CF | 1 | | R118 |
| 117 | 117 | | 1318430-00 | | 165.0 .25 W 1.0 % RN55D-F10 | 1 | | R11 |
| 118 | 118 | | 1320082-01 | | 250.0 .25 W30.0 % POT | 1 | | R5 |
| 119 | 119 | | 1320082-02 | | 100.0 K .25 W10.0 % POT | 1 | | R38 |
| 120 | 120 | | 1509524-00 | | 2N 3904 NPN 310MW SI 40 40 M | 1 | | Q3 |
| 121 | 121 | | 1509525-00 | | 2N 3906 PNP 310MW SI 40100 Y | 3 | | Q1,Q9,Q5 |
| 122 | 122 | | 1516490-00 | | MPSU05 NPN 10W SI 2A | 1 | | Q10 |
| 123 | 123 | | 1519535-01 | | D40D7 NPN 50MW 60V 1A | 1 | | Q2 |
| 124 | 124 | | 1520089-01 | | MDS 20 NPN 2W 250V 1.5A | 1 | | Q204 |
| 125 | 125 | | 1520090-01 | | 13006 NPN 80W 300V 8A | 1 | | Q4 |
| 126 | 126 | | 1520092-01 | | MTP5N05 FET T0-220 | 2 | | Q200,Q201 |

| | | | | | | | | | | | | | |
|---|---|---|---|---|---|---|---------------|-----------|------|------|------|-----------------|-----|
| D | I | G | I | T | A | L | TITLE | SECTION A | OF A | SIZE | CODE | DOCUMENT NUMBER | REV |
| | | | | | | | VR201 MONITOR | | | K | PL | 5415500-0-DBP | M |

AUTOMATED BY PRTLST.3P(44)

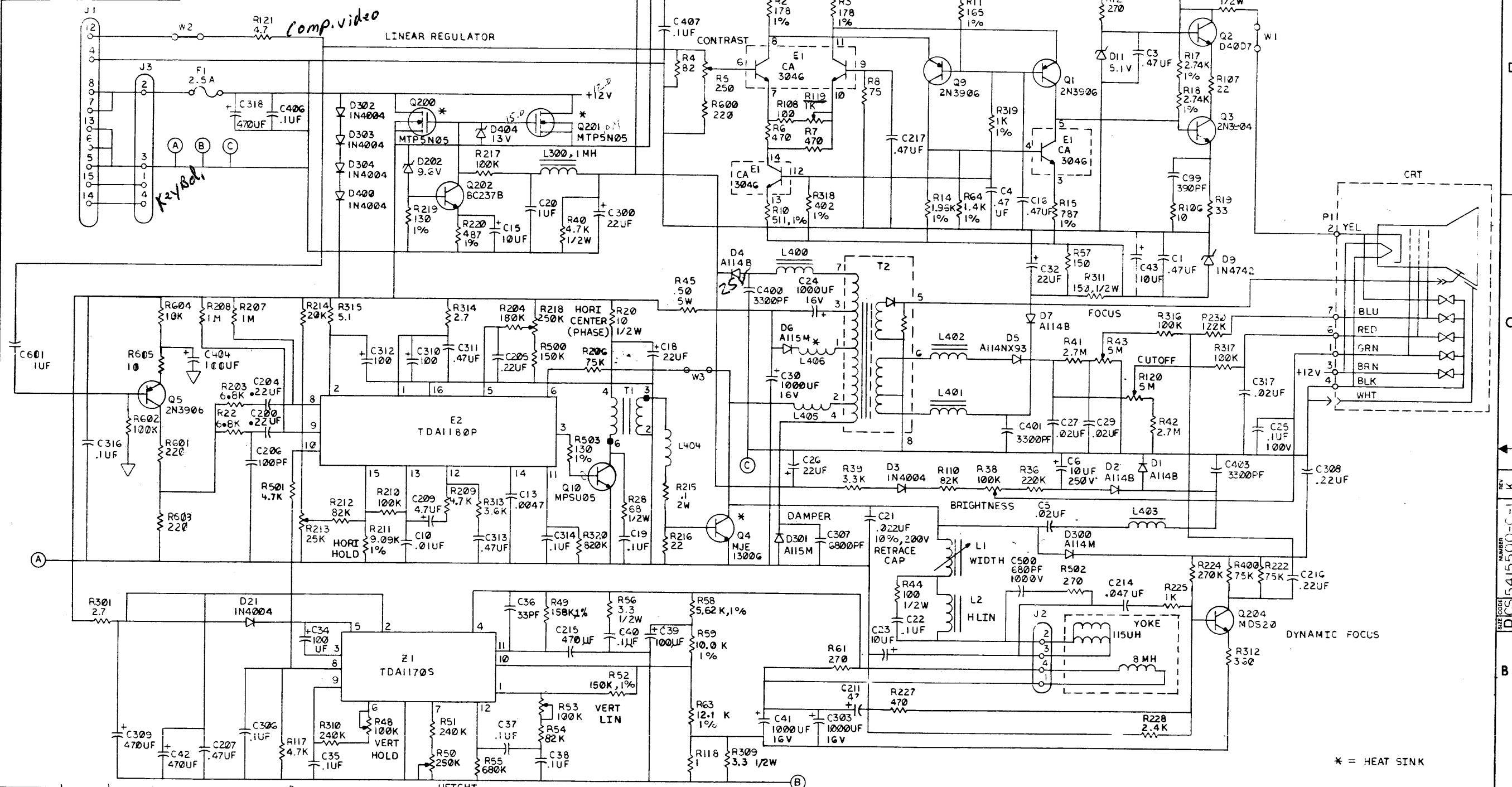
PARTS LIST

SHEET A4 OF A4

| LINE | ITEM | TOP DOCUMENT | PART NUMBER | MIN REV | DESCRIPTION | VARIATION REVISION LEVEL: | QTY | PER VARIATION | REFERENCE DESIGNATOR |
|------|------|--------------|-------------|---------|----------------------------------|---------------------------|-----|---------------|----------------------|
| | | | | | | | 00 | | |
| | | | | | | | J3 | | |
| 127 | 127 | | 1520093-01 | | BC237B NPN TO-92 | | 1 | | Q202 |
| 128 | 128 | | 1602723-00 | | 1000 UH 10% 125MA | | 1 | | L300 |
| 129 | 129 | | 1616309-02 | | XFMR,HORIZONTAL DRIVE | | 1 | | T1 |
| 130 | 130 | | 1616536-00 | | XFMR HORIZONTAL WIDTH | | 1 | | L1 |
| 131 | 131 | | 1616538-00 | | COIL,HORIZONTAL,LINEAR | | 1 | | L2 |
| 132 | 132 | | 1618238-02 | | BEAD,FERRITE .1380DX.330LG | | 7 | | L400-L406 |
| 133 | 133 | | 1620097-01 | | XFMR,FLYBACK,HIGH VOLTAGE | | 1 | | T2 |
| 134 | 134 | | 1913017-00 | | 3046 XSISTOR ARRAY,3 ISOL | | 1 | | E1 |
| 135 | 135 | | 1919235-00 | | TDA 1170 AMP,VERTICAL DEFLECT | | 1 | | Z1 |
| 136 | 136 | | 1920088-01 | | 1180 PROCESSOR,TV HORIZ., | | 1 | | E2 |
| 137 | 137 | | 7427002-01 | | THUMBWHEEL | | 2 | | |
| 138 | 138 | | 9006010-01 | | SCREW,MACH PAN PHIL 4- | | 2 | | |
| 139 | 139 | | 9006557-00 | | NUT,HEX EXT TOOTH LCKWSHR 4-40 | | 7 | | |
| 140 | 140 | | 9008054-00 | | NUT,HEX SLF LCKNG NYL INS 4-40 | | 2 | | |
| 141 | 141 | | 9008268-00 | | COMPOUND, THERMAL JOINT | | A/R | | |
| 142 | 142 | | 9008301-01 | | SCREW,MACH PAN PHIL 4- | | 3 | | |
| 143 | 143 | | 9008451-00 | | SCREW LOCK,ASSY .060TH | | 1 | | |
| 144 | 144 | | 9009185-00 | | JUMPER, WIRE, INSULATED, BLACK B | | 2 | | W1,W2 |
| 145 | 145 | | 9009798-01 | | SPACER,CLEAR HOLE RND CERAM .07 | | 2 | | |
| 146 | 146 | | 9009993-01 | | WASHER,INSUL,TRANSISTOR PLASTIC | | 1 | | |
| 147 | 147 | | 9009996-00 | | TIE,CABLE PRELOADED MAG.100 EA | | 1 | | |
| 148 | 148 | | 9010057-00 | | WASHER,SHOULDER INSULATG PPS | | 1 | | |
| 149 | 149 | | 9105740-55 | | WIRE(WRAP) 30AWG KYNAR UL14 | | A/R | | |
| 150 | 150 | | 1314253-00 | | 240.0 K .25 W 5.0 % CF | | 2 | | R51,R310 |
| 151 | 151 | | 1310867-00 | | 680.0 K .25 W 5.0 % CF | | 1 | | R55 |
| 152 | 152 | | 1316444-00 | | 150.0 K .25 W 1.0 % RN55D-F10 | | 1 | | R52 |
| 153 | 153 | | 1303313-00 | | 12.10 K .25 W 1.0 % RN55D-F10 | | 1 | | R63 |
| 154 | 154 | | 1303312-00 | | 10.0 K .25 W 1.0 % RN55D-F10 | | 1 | | R59 |
| 155 | 155 | | 1305128-00 | | 5.62 K .25 W 1.0 % RN55D-F10 | | 1 | | R58 |
| 156 | 156 | | 1314990-00 | | 158.0 K .25 W 1.0 % RN55D-F10 | | 1 | | R49 |
| 157 | 157 | | 1000024-00 | | 470.0 MMF 100V 5%200PPM MICA | | 1 | | C215 |
| 158 | 158 | | 1220959-01 | | CONN,D SUB 15PIN ASSY PC MNT | | 1 | | J1 |
| 159 | 159 | | 9006012-01 | | *** THIS ITEM IS NOT USED *** | | - | | |
| 160 | 160 | | 9006706-00 | | *** THIS ITEM IS NOT USED *** | | - | | |
| 161 | 161 | | 9107253-00 | | TUBING,SHRINK .250ID EXP | | A/R | | |
| 162 | 162 | | 1300479-00 | | 10.0 K .25 W 5.0 % CF | | 2 | | R604,R701 |
| 163 | 163 | | 1301423-00 | | 6.80 K .25 W 5.0 % CF | | 2 | | R203,R22 |
| 164 | 164 | | 1018000-14 | | 1 MFD 63V +50-10% AL EL | | 1 | | C20 |
| 165 | 165 | | 1313008-00 | | 5.11 .25 W 1.0 % RN55D-F10 | | 1 | | R121 |
| 166 | 166 | | 1302875-00 | | 82.50 .25 W 1.0 % RN55D-F10 | | 1 | | R4 |
| 167 | 167 | | 1021480-05 | | .022 MFD 250V 5% POLYPROP | | 1 | | C21 |

| | | | | | | | | | | | | | |
|---|---|---|---|---|---|---|---------------|-----------|------|------|------|-----------------|-----|
| D | I | G | I | T | A | L | TITLE | SECTION A | OF A | SIZE | CODE | DOCUMENT NUMBER | REV |
| | | | | | | | VR201 MONITOR | | | K | PL | 5415500-0-DBP | M |

THIS DRAWING AND SPECIFICATIONS HEREIN ARE THE PROPERTY OF DIGITAL EQUIPMENT CORPORATION AND SHALL NOT BE REPRODUCED OR COPIED OR USED IN WHOLE OR IN PART AS THE BASIS FOR THE MANUFACTURE OR SALE OF ANY EQUIPMENT WITHOUT WRITTEN PERMISSION FROM DIGITAL EQUIPMENT CORPORATION.

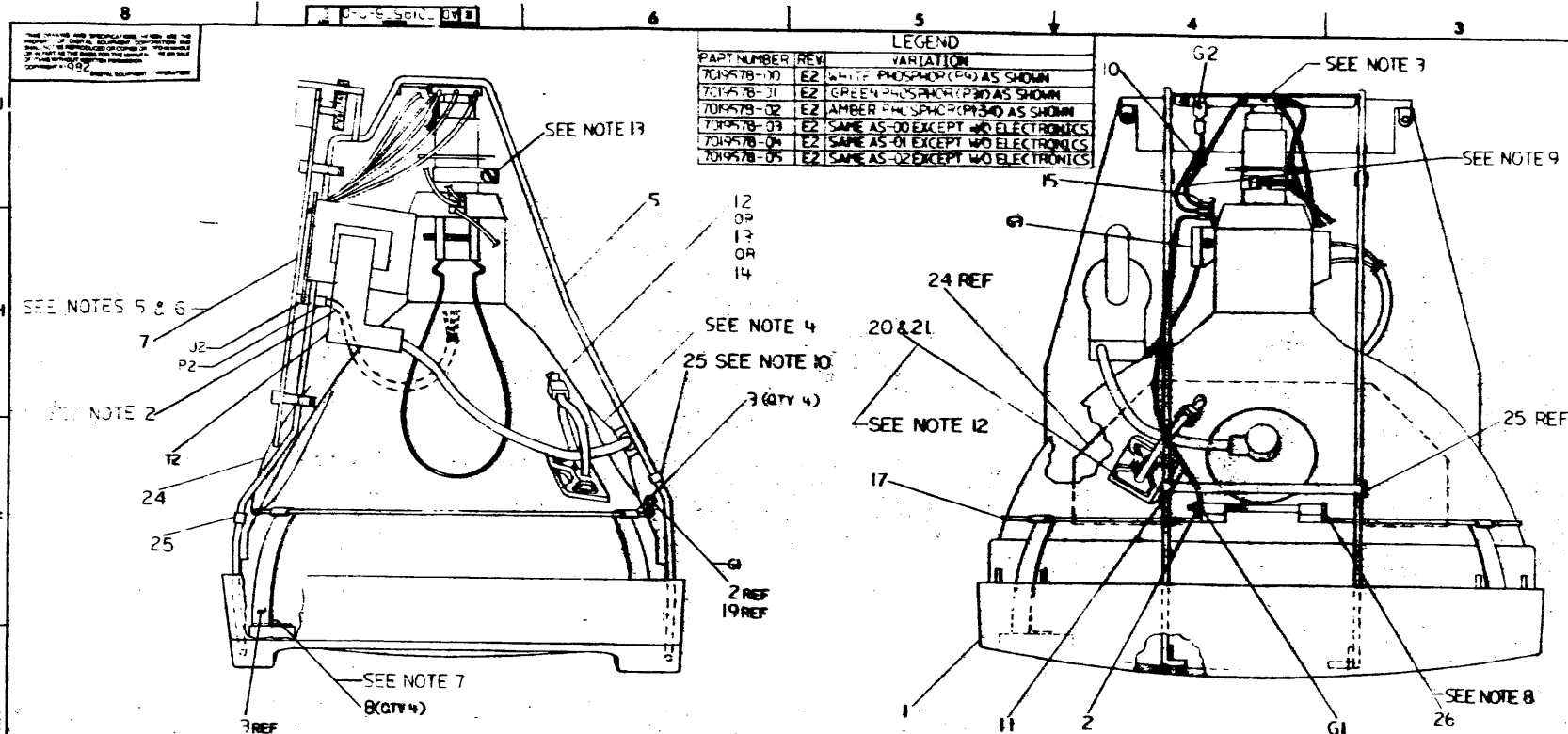


* = HEAT SINK

| REV | ECO NUMBER | DATE | BY | CHKD | DESIGN | RESP | DATE |
|-----|---------------|----------|---------------|------|--------|------|------|
| 1 | 5415500-ML001 | 11-11-81 | J. FITZGERALD | | | | |
| 2 | 5415500-ML002 | 11-11-81 | B. NOTT | | | | |
| 3 | 5415500-ML003 | 11-11-81 | J. FITZGERALD | | | | |
| 4 | 5415500-ML004 | 11-11-81 | C. TANNER | | | | |
| 5 | 5415500-ML005 | 11-11-81 | J. FITZGERALD | | | | |
| 6 | 5415500-ML006 | 11-11-81 | B. NOTT | | | | |
| 7 | 5415500-ML007 | 11-11-81 | J. FITZGERALD | | | | |
| 8 | 5415500-ML008 | 11-11-81 | J. FITZGERALD | | | | |
| 9 | 5415500-ML009 | 11-11-81 | J. FITZGERALD | | | | |
| 10 | 5415500-ML010 | 11-11-81 | J. FITZGERALD | | | | |
| 11 | 5415500-ML011 | 11-11-81 | J. FITZGERALD | | | | |
| 12 | 5415500-ML012 | 11-11-81 | J. FITZGERALD | | | | |
| 13 | 5415500-ML013 | 11-11-81 | J. FITZGERALD | | | | |
| 14 | 5415500-ML014 | 11-11-81 | J. FITZGERALD | | | | |
| 15 | 5415500-ML015 | 11-11-81 | J. FITZGERALD | | | | |
| 16 | 5415500-ML016 | 11-11-81 | J. FITZGERALD | | | | |
| 17 | 5415500-ML017 | 11-11-81 | J. FITZGERALD | | | | |
| 18 | 5415500-ML018 | 11-11-81 | J. FITZGERALD | | | | |
| 19 | 5415500-ML019 | 11-11-81 | J. FITZGERALD | | | | |
| 20 | 5415500-ML020 | 11-11-81 | J. FITZGERALD | | | | |

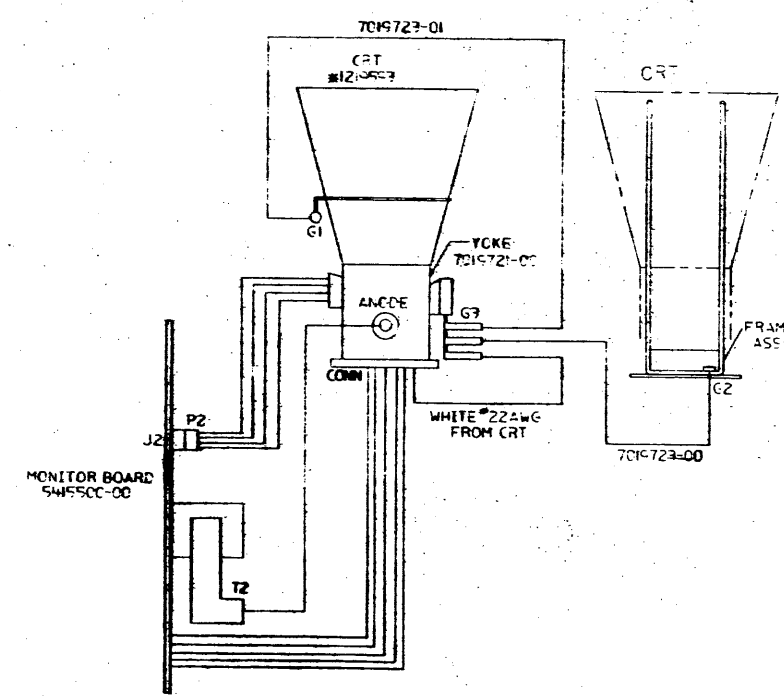
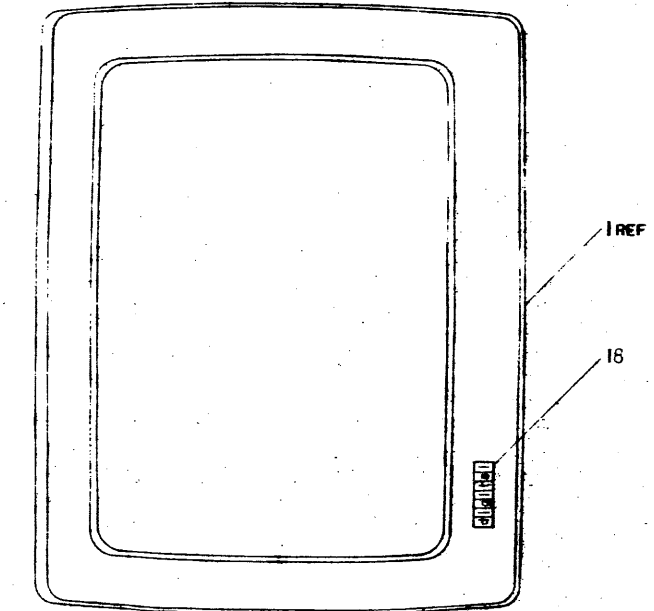
| | | |
|-------------------|------|---------------|
| DRAWN | DATE | TITLE |
| CHKD | DATE | VR201 digital |
| DESIGN | DATE | MONITOR |
| RESP | DATE | |
| WFO | DATE | |
| SCALE | DATE | |
| DOCUMENT NUMBER | | |
| D CS5415500-0-1 K | | |
| SCALE | | |
| ML3 1 | | |

REV 10/81 NUMBER 5415500-C-1 K



| PART NUMBER | REV | VARIATION |
|-------------|-----|----------------------------------|
| 7019578-01 | E2 | WHITE PHOSPHOR (P4) AS SHOWN |
| 7019578-01 | E2 | GREEN PHOSPHOR (P3) AS SHOWN |
| 7019578-02 | E2 | AMBER PHOSPHOR (P4) AS SHOWN |
| 7019578-03 | E2 | SAME AS-02 EXCEPT NO ELECTRONICS |
| 7019578-04 | E2 | SAME AS-01 EXCEPT NO ELECTRONICS |
| 7019578-05 | E2 | SAME AS-02 EXCEPT NO ELECTRONICS |

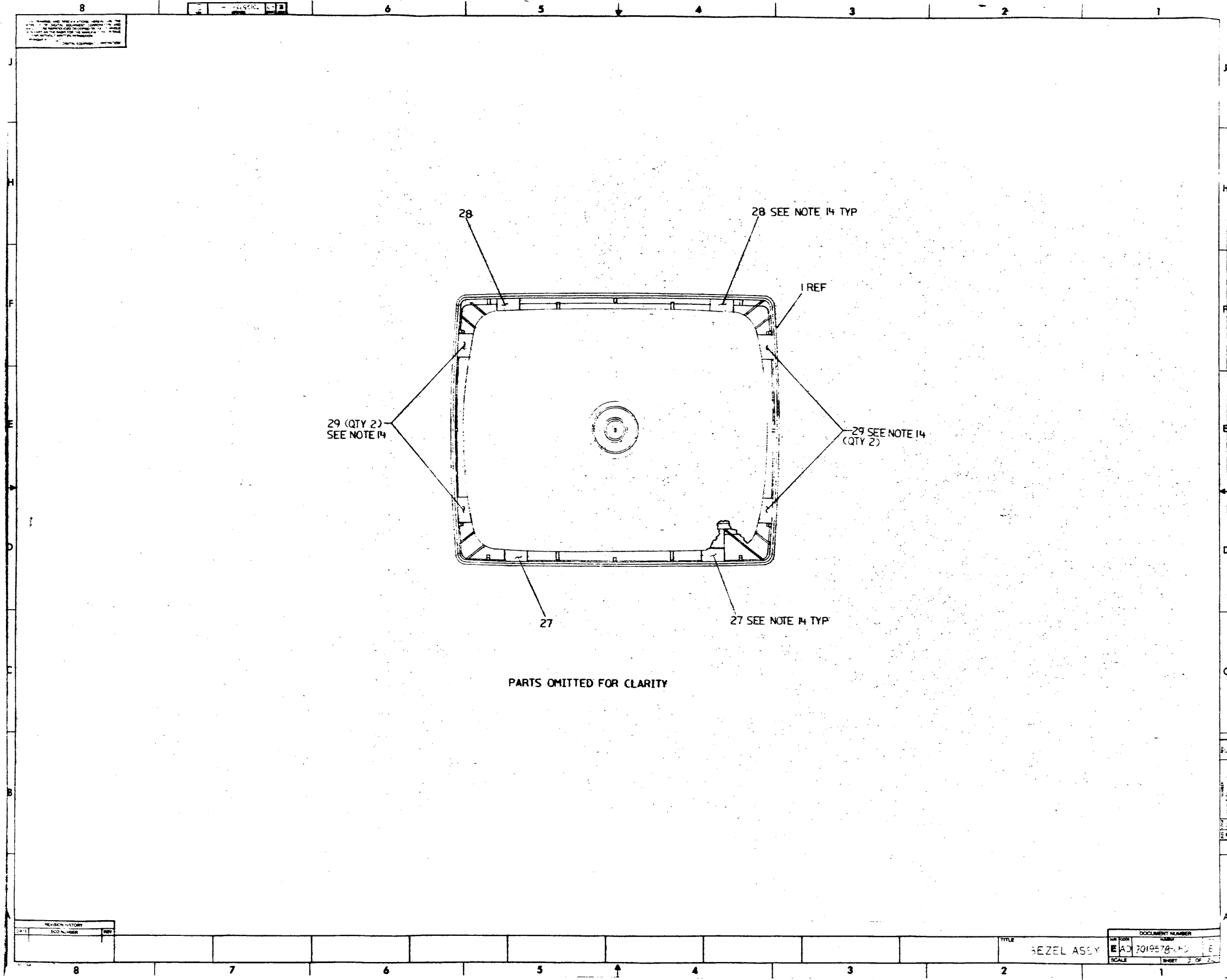
- NOTES:
- DELETED
 - P2 FROM J2 (PART OF ITEM 12 OR 13 OR 14) IS TO BE INSERTED INTO J2 OF PCB (ITEM 7).
 - CONN. PART OF ITEM 7 ATTACHES TO END OF ITEM 12 OR 13 OR 14.
 - ANODE CONNECTOR (PART OF ITEM 7) IS INSERTED IN ANODE HOLE IN ITEM 12 OR 13 OR 14.
 - ITEM 7 SHOWN WITHOUT COMPONENTS FOR CLARITY (EXCEPT TRANSFORMER T2).
 - ITEM 7 ATTACHES TO ITEM 5 WITH WIRE CLIPS (PART OF ITEM 7).
 - TORQUE ITEM 9 AS FOLLOWS (4 PLACES): USING SCREWDRIVER: 8.0 IN-LBS.
 - TORQUE ITEM 25 AS FOLLOWS USING SCREWDRIVER: 6.0 IN-LBS.
 - ON WHITE WIRE FROM TUBE CONN. ITEM 12, 13 OR 14: STRIP .19" DIA & CRIMP ITEM 15 TO WIRE.
 - ITEMS SHALL NOT DEFORM MORE THAN 0.050 WHILE INSTALLING ITEM 25.
 - DELETED
 - HIGH VOLTAGE LEAD TO BE SECURED USING ITEM 20. ATTACH ITEM 21 (CABLE TIE) TO FORM APPROX 1" DIA LOOP AROUND THE LEAD. ITEM 21 MUST NOT BE PULLED TIGHT.
 - IF YOKE IS DISTURBED FOR ADJUSTMENT, TORQUE CLAMP SCREW TO 5-6 INCH POUNDS.
 - REMOVE PROTECTIVE BACKING PAPER FROM ITEMS 27, 28 & 29 AND ATTACH TO ITEM 1 BY POSITIONING AGAINST THE REBS IN THE BEZEL CORNERS (ITEM 1) AS SHOWN ON SHEET 2.



* 1219593-00 = P4 WHITE ANTI GLARE
 1219593-01 = P31 GREEN
 1219593-02 = P134 AMBER

CAUTION:
 OFF SHEET PARTS LIST EXISTS
 SEE K-PL-7019578-0-DBP

| | | |
|---------|----------|-------------|
| INITIAL | DATE | DESCRIPTION |
| A | 10/15/78 | DESIGN |
| B | 11/15/78 | REVISED |
| C | 12/15/78 | REVISED |
| D | 01/15/79 | REVISED |
| E | 02/15/79 | REVISED |
| F | 03/15/79 | REVISED |
| G | 04/15/79 | REVISED |
| H | 05/15/79 | REVISED |
| I | 06/15/79 | REVISED |
| J | 07/15/79 | REVISED |
| K | 08/15/79 | REVISED |
| L | 09/15/79 | REVISED |
| M | 10/15/79 | REVISED |
| N | 11/15/79 | REVISED |
| O | 12/15/79 | REVISED |
| P | 01/15/80 | REVISED |
| Q | 02/15/80 | REVISED |
| R | 03/15/80 | REVISED |
| S | 04/15/80 | REVISED |
| T | 05/15/80 | REVISED |
| U | 06/15/80 | REVISED |
| V | 07/15/80 | REVISED |
| W | 08/15/80 | REVISED |
| X | 09/15/80 | REVISED |
| Y | 10/15/80 | REVISED |
| Z | 11/15/80 | REVISED |
| AA | 12/15/80 | REVISED |
| AB | 01/15/81 | REVISED |
| AC | 02/15/81 | REVISED |
| AD | 03/15/81 | REVISED |
| AE | 04/15/81 | REVISED |
| AF | 05/15/81 | REVISED |
| AG | 06/15/81 | REVISED |
| AH | 07/15/81 | REVISED |
| AI | 08/15/81 | REVISED |
| AJ | 09/15/81 | REVISED |
| AK | 10/15/81 | REVISED |
| AL | 11/15/81 | REVISED |
| AM | 12/15/81 | REVISED |
| AN | 01/15/82 | REVISED |
| AO | 02/15/82 | REVISED |
| AP | 03/15/82 | REVISED |
| AQ | 04/15/82 | REVISED |
| AR | 05/15/82 | REVISED |
| AS | 06/15/82 | REVISED |
| AT | 07/15/82 | REVISED |
| AU | 08/15/82 | REVISED |
| AV | 09/15/82 | REVISED |
| AW | 10/15/82 | REVISED |
| AX | 11/15/82 | REVISED |
| AY | 12/15/82 | REVISED |
| AZ | 01/15/83 | REVISED |
| BA | 02/15/83 | REVISED |
| BB | 03/15/83 | REVISED |
| BC | 04/15/83 | REVISED |
| BD | 05/15/83 | REVISED |
| BE | 06/15/83 | REVISED |
| BF | 07/15/83 | REVISED |
| BG | 08/15/83 | REVISED |
| BH | 09/15/83 | REVISED |
| BI | 10/15/83 | REVISED |
| BJ | 11/15/83 | REVISED |
| BK | 12/15/83 | REVISED |
| BL | 01/15/84 | REVISED |
| BM | 02/15/84 | REVISED |
| BN | 03/15/84 | REVISED |
| BO | 04/15/84 | REVISED |
| BP | 05/15/84 | REVISED |
| BQ | 06/15/84 | REVISED |
| BR | 07/15/84 | REVISED |
| BS | 08/15/84 | REVISED |
| BT | 09/15/84 | REVISED |
| BU | 10/15/84 | REVISED |
| BV | 11/15/84 | REVISED |
| BW | 12/15/84 | REVISED |
| BX | 01/15/85 | REVISED |
| BY | 02/15/85 | REVISED |
| BZ | 03/15/85 | REVISED |
| CA | 04/15/85 | REVISED |
| CB | 05/15/85 | REVISED |
| CC | 06/15/85 | REVISED |
| CD | 07/15/85 | REVISED |
| CE | 08/15/85 | REVISED |
| CF | 09/15/85 | REVISED |
| CG | 10/15/85 | REVISED |
| CH | 11/15/85 | REVISED |
| CI | 12/15/85 | REVISED |
| CJ | 01/15/86 | REVISED |
| CK | 02/15/86 | REVISED |
| CL | 03/15/86 | REVISED |
| CM | 04/15/86 | REVISED |
| CN | 05/15/86 | REVISED |
| CO | 06/15/86 | REVISED |
| CP | 07/15/86 | REVISED |
| CQ | 08/15/86 | REVISED |
| CR | 09/15/86 | REVISED |
| CS | 10/15/86 | REVISED |
| CT | 11/15/86 | REVISED |
| CU | 12/15/86 | REVISED |
| CV | 01/15/87 | REVISED |
| CW | 02/15/87 | REVISED |
| CX | 03/15/87 | REVISED |
| CY | 04/15/87 | REVISED |
| CZ | 05/15/87 | REVISED |
| DA | 06/15/87 | REVISED |
| DB | 07/15/87 | REVISED |
| DC | 08/15/87 | REVISED |
| DD | 09/15/87 | REVISED |
| DE | 10/15/87 | REVISED |
| DF | 11/15/87 | REVISED |
| DG | 12/15/87 | REVISED |
| DH | 01/15/88 | REVISED |
| DI | 02/15/88 | REVISED |
| DJ | 03/15/88 | REVISED |
| DK | 04/15/88 | REVISED |
| DL | 05/15/88 | REVISED |
| DM | 06/15/88 | REVISED |
| DN | 07/15/88 | REVISED |
| DO | 08/15/88 | REVISED |
| DP | 09/15/88 | REVISED |
| DQ | 10/15/88 | REVISED |
| DR | 11/15/88 | REVISED |
| DS | 12/15/88 | REVISED |
| DT | 01/15/89 | REVISED |
| DU | 02/15/89 | REVISED |
| DV | 03/15/89 | REVISED |
| DW | 04/15/89 | REVISED |
| DX | 05/15/89 | REVISED |
| DY | 06/15/89 | REVISED |
| DZ | 07/15/89 | REVISED |
| EA | 08/15/89 | REVISED |
| EB | 09/15/89 | REVISED |
| EC | 10/15/89 | REVISED |
| ED | 11/15/89 | REVISED |
| EE | 12/15/89 | REVISED |
| EF | 01/15/90 | REVISED |
| EG | 02/15/90 | REVISED |
| EH | 03/15/90 | REVISED |
| EI | 04/15/90 | REVISED |
| EJ | 05/15/90 | REVISED |
| EK | 06/15/90 | REVISED |
| EL | 07/15/90 | REVISED |
| EM | 08/15/90 | REVISED |
| EN | 09/15/90 | REVISED |
| EO | 10/15/90 | REVISED |
| EP | 11/15/90 | REVISED |
| EQ | 12/15/90 | REVISED |
| ER | 01/15/91 | REVISED |
| ES | 02/15/91 | REVISED |
| ET | 03/15/91 | REVISED |
| EU | 04/15/91 | REVISED |
| EV | 05/15/91 | REVISED |
| EW | 06/15/91 | REVISED |
| EX | 07/15/91 | REVISED |
| EY | 08/15/91 | REVISED |
| EZ | 09/15/91 | REVISED |
| FA | 10/15/91 | REVISED |
| FB | 11/15/91 | REVISED |
| FC | 12/15/91 | REVISED |
| FD | 01/15/92 | REVISED |
| FE | 02/15/92 | REVISED |
| FF | 03/15/92 | REVISED |
| FG | 04/15/92 | REVISED |
| FH | 05/15/92 | REVISED |
| FI | 06/15/92 | REVISED |
| FJ | 07/15/92 | REVISED |
| FK | 08/15/92 | REVISED |
| FL | 09/15/92 | REVISED |
| FM | 10/15/92 | REVISED |
| FN | 11/15/92 | REVISED |
| FO | 12/15/92 | REVISED |
| FP | 01/15/93 | REVISED |
| FQ | 02/15/93 | REVISED |
| FR | 03/15/93 | REVISED |
| FS | 04/15/93 | REVISED |
| FT | 05/15/93 | REVISED |
| FU | 06/15/93 | REVISED |
| FV | 07/15/93 | REVISED |
| FW | 08/15/93 | REVISED |
| FX | 09/15/93 | REVISED |
| FY | 10/15/93 | REVISED |
| FZ | 11/15/93 | REVISED |
| GA | 12/15/93 | REVISED |
| GB | 01/15/94 | REVISED |
| GC | 02/15/94 | REVISED |
| GD | 03/15/94 | REVISED |
| GE | 04/15/94 | REVISED |
| GF | 05/15/94 | REVISED |
| GG | 06/15/94 | REVISED |
| GH | 07/15/94 | REVISED |
| GI | 08/15/94 | REVISED |
| GO | 09/15/94 | REVISED |
| GP | 10/15/94 | REVISED |
| GQ | 11/15/94 | REVISED |
| GR | 12/15/94 | REVISED |
| GS | 01/15/95 | REVISED |
| GT | 02/15/95 | REVISED |
| GU | 03/15/95 | REVISED |
| GV | 04/15/95 | REVISED |
| GW | 05/15/95 | REVISED |
| GX | 06/15/95 | REVISED |
| GY | 07/15/95 | REVISED |
| GA | 08/15/95 | REVISED |
| GB | 09/15/95 | REVISED |
| GC | 10/15/95 | REVISED |
| GD | 11/15/95 | REVISED |
| GE | 12/15/95 | REVISED |
| GF | 01/15/96 | REVISED |
| GG | 02/15/96 | REVISED |
| GH | 03/15/96 | REVISED |
| GI | 04/15/96 | REVISED |
| GO | 05/15/96 | REVISED |
| GP | 06/15/96 | REVISED |
| GQ | 07/15/96 | REVISED |
| GR | 08/15/96 | REVISED |
| GS | 09/15/96 | REVISED |
| GT | 10/15/96 | REVISED |
| GU | 11/15/96 | REVISED |
| GV | 12/15/96 | REVISED |
| GW | 01/15/97 | REVISED |
| GX | 02/15/97 | REVISED |
| GY | 03/15/97 | REVISED |
| GA | 04/15/97 | REVISED |
| GB | 05/15/97 | REVISED |
| GC | 06/15/97 | REVISED |
| GD | 07/15/97 | REVISED |
| GE | 08/15/97 | REVISED |
| GF | 09/15/97 | REVISED |
| GG | 10/15/97 | REVISED |
| GH | 11/15/97 | REVISED |
| GI | 12/15/97 | REVISED |
| GO | 01/15/98 | REVISED |
| GP | 02/15/98 | REVISED |
| GQ | 03/15/98 | REVISED |
| GR | 04/15/98 | REVISED |
| GS | 05/15/98 | REVISED |
| GT | 06/15/98 | REVISED |
| GU | 07/15/98 | REVISED |
| GV | 08/15/98 | REVISED |
| GW | 09/15/98 | REVISED |
| GX | 10/15/98 | REVISED |
| GY | 11/15/98 | REVISED |
| GA | 12/15/98 | REVISED |
| GB | 01/15/99 | REVISED |
| GC | 02/15/99 | REVISED |
| GD | 03/15/99 | REVISED |
| GE | 04/15/99 | REVISED |
| GF | 05/15/99 | REVISED |
| GG | 06/15/99 | REVISED |
| GH | 07/15/99 | REVISED |
| GI | 08/15/99 | REVISED |
| GO | 09/15/99 | REVISED |
| GP | 10/15/99 | REVISED |
| GQ | 11/15/99 | REVISED |
| GR | 12/15/99 | REVISED |
| GS | 01/15/00 | REVISED |
| GT | 02/15/00 | REVISED |
| GU | 03/15/00 | REVISED |
| GV | 04/15/00 | REVISED |
| GW | 05/15/00 | REVISED |
| GX | 06/15/00 | REVISED |
| GY | 07/15/00 | REVISED |
| GA | 08/15/00 | REVISED |
| GB | 09/15/00 | REVISED |
| GC | 10/15/00 | REVISED |
| GD | 11/15/00 | REVISED |
| GE | 12/15/00 | REVISED |
| GF | 01/15/01 | REVISED |
| GG | 02/15/01 | REVISED |
| GH | 03/15/01 | REVISED |
| GI | 04/15/01 | REVISED |
| GO | 05/15/01 | REVISED |
| GP | 06/15/01 | REVISED |
| GQ | 07/15/01 | REVISED |
| GR | 08/15/01 | REVISED |
| GS | 09/15/01 | REVISED |
| GT | 10/15/01 | REVISED |
| GU | 11/15/01 | REVISED |
| GV | 12/15/01 | REVISED |
| GW | 01/15/02 | REVISED |
| GX | 02/15/02 | REVISED |
| GY | 03/15/02 | REVISED |
| GA | 04/15/02 | REVISED |
| GB | 05/15/02 | REVISED |
| GC | 06/15/02 | REVISED |
| GD | 07/15/02 | REVISED |
| GE | 08/15/02 | REVISED |
| GF | 09/15/02 | REVISED |
| GG | 10/15/02 | REVISED |
| GH | 11/15/02 | REVISED |
| GI | 12/15/02 | REVISED |
| GO | 01/15/03 | REVISED |
| GP | 02/15/03 | REVISED |
| GQ | 03/15/03 | REVISED |
| GR | 04/15/03 | REVISED |
| GS | 05/15/03 | REVISED |
| GT | 06/15/03 | REVISED |
| GU | 07/15/03 | REVISED |
| GV | 08/15/03 | REVISED |
| GW | 09/15/03 | REVISED |
| GX | 10/15/03 | REVISED |



| REV | DESCRIPTION | DATE |
|-----|-------------|------|
| | | |

| | |
|-----------------|----------------|
| TITLE | BEZEL ASSEMBLY |
| SCALE | AS SHOWN |
| DOCUMENT NUMBER | 3019578-100 |
| SHEET | 3 OF 3 |

AUTOMATED BY PRTLST.3P(44)

PARTS LIST

SHEET A1 OF A1

| LINE | ITEM | DOCUMENT NUMBER | PART NUMBER | DESCRIPTION | QUANTITY PER VARIATION | | | | | |
|------|------|--------------------|-------------|----------------------------------|------------------------|----|----|----|----|----|
| | | | | | 00 | 01 | 02 | 03 | 04 | 05 |
| 1 | 1 | E-MD-7426539-0-DBU | 7426539-01 | BEZEL,CRT | 1 | 1 | 1 | 1 | 1 | 1 |
| 2 | 2 | | 9008055-00 | NUT,HEX SLF LCKNG NYL INS 6-32 | 1 | 1 | 1 | 1 | 1 | 1 |
| 3 | 3 | B-MD-7426542-0-DBU | 7426542-01 | CLIP,SPRING,CRT | 4 | 4 | 4 | 4 | 4 | 4 |
| 4 | 4 | C-MD-7426541-0-DBU | 7426541-01 | *** THIS ITEM IS NOT USED *** | - | - | - | - | - | - |
| 5 | 5 | D-IA-7019524-0-DBU | 7019524-00 | WIRE FORM BRKT. WELDMNT | 1 | 1 | 1 | - | - | - |
| 6 | 6 | C-MD-7426953-0-DBU | 7426953-01 | *** THIS ITEM IS NOT USED *** | - | - | - | - | - | - |
| 7 | 7 | D-AD-7019584-0-DBU | 7019584-00 | MONITOR BOARD ASSY | 1 | 1 | 1 | - | - | - |
| 8 | 8 | | 9009800-02 | SCREW,TAP PAN PHIL THD RL 6- | 4 | 4 | 4 | 4 | 4 | 4 |
| 9 | 9 | | 9007818-01 | *** THIS ITEM IS NOT USED *** | - | - | - | - | - | - |
| 10 | 10 | D-IA-7019723-0-0 | 7019723-00 | WIRE, GROUND (4INS) | 1 | 1 | 1 | 1 | 1 | 1 |
| 11 | 11 | B-IA-7019723-0-0 | 7019723-01 | WIRE, GROUND (10INS) | 1 | 1 | 1 | 1 | 1 | 1 |
| 12 | 12 | D-IA-7019722-0-0 | 7019722-00 | CRT 6 YOKE ASSY (WHT POS) | 1 | - | - | 1 | - | - |
| 13 | 13 | D-IA-7019722-0-0 | 7019722-01 | CRT 6 YOKE ASSY (GRN POS) | - | 1 | - | - | 1 | - |
| 14 | 14 | D-IA-7019722-0-0 | 7019722-02 | CRT 6 YOKE ASSY (AMBER POS) | - | - | 1 | - | - | 1 |
| 15 | 15 | | 9007925-01 | TERM,QUICK .250TAB 2POS 18-2 | 1 | 1 | 1 | 1 | 1 | 1 |
| 16 | 16 | | 9006659-00 | *** THIS ITEM IS NOT USED *** | - | - | - | - | - | - |
| 17 | 17 | D-IA-7019798-0-DBU | 7019798-00 | WELDMNT, TENSION WIRE | 1 | 1 | 1 | 1 | 1 | 1 |
| 18 | 18 | B-MD-7427428-0-DBU | 7427428-01 | LOGO,DIGITAL,METAL | 1 | 1 | 1 | 1 | 1 | 1 |
| 19 | 19 | | 9007658-01 | SCREW,MACH PAN PHIL 6- | 1 | 1 | 1 | 1 | 1 | 1 |
| 20 | 20 | | 9008264-00 | MOUNT, CABLE TIE, ADHESIVE BACKE | 1 | 1 | 1 | 1 | 1 | 1 |
| 21 | 21 | | 9007880-00 | TIE,CABLE BUNDL DIA 0-1.14"=101 | 1 | 1 | 1 | - | - | - |
| 22 | 22 | | 9009624-00 | BUMPER,SQUARE ADH BACK RUBBER | 4 | 4 | 4 | 4 | 4 | 4 |
| 23 | 23 | | 1209750-01 | RUBBER BUMPER 5023 BLK | 4 | 4 | 4 | 4 | 4 | 4 |
| 24 | 24 | C-MD-7427754-0-DBU | 7427754-01 | INSULATOR,CRT | 1 | 1 | 1 | 1 | 1 | 1 |
| 25 | 25 | | 9009617-00 | TIE,CABLE BUNDL.DIA 0-3"TYPE=101 | 2 | 2 | 2 | - | - | - |

| REVISION HISTORY | | | BASIC PART NO: 7019578 | | DRN: B. NETTO | | DATE: 3-MAY-82 | | D I G I T A L | | | |
|------------------|--------------------------|--------|---|------------------|------------------|----------------------|----------------|-----------------|---------------|---------------|--------|--|
| ENG: | ECO NUMBER | REV | SECTION A OF A | CHK'D: | D. HEALY | DATE: | 13 MAY 82 | TITLE | | PARTS LIST | | |
| WN | INITIAL 7019578-ML001 | A B | SECTION. VARIATION INDEX [A] 00,01,02,03,04,05 | DES.ENG.: | D. MOORE | DATE: | 13 MAY 82 | BEZEL ASSY | | | | |
| | | | [B] | RESP.ENG.: | D. BOUDREAU | DATE: | 13 MAY 82 | DOCUMENT NUMBER | | | | |
| | | | [C] | MFG.ENG.: | G. WU | DATE: | 13 MAY 82 | SIZE: | CODE: | NUMBER | REV | |
| | | | [D] | ASSEMBLY NUMBER: | E-AD-7019578-0-0 | TOP DOCUMENT NUMBER: | E-UA-VR201-0-0 | K | PL | 7019578-0-DBP | B | |
| | | | [E] | | | | | | | FILE NAME: | EDIT # | |
| | | | [F] | | | | | | | Z4562B.PLS | 2 | |

"THIS DRAWING AND SPECIFICATIONS HEREIN, ARE THE PROPERTY OF DIGITAL EQUIPMENT CORPORATION AND SHALL NOT BE REPRODUCED OR COPIED OR USED IN WHOLE OR IN PART AS THE BASIS FOR THE MANUFACTURE OR SALE OF ITEMS WITHOUT WRITTEN PERMISSION. COPYRIGHT (C) 1983. DIGITAL EQUIPMENT CORPORATION "

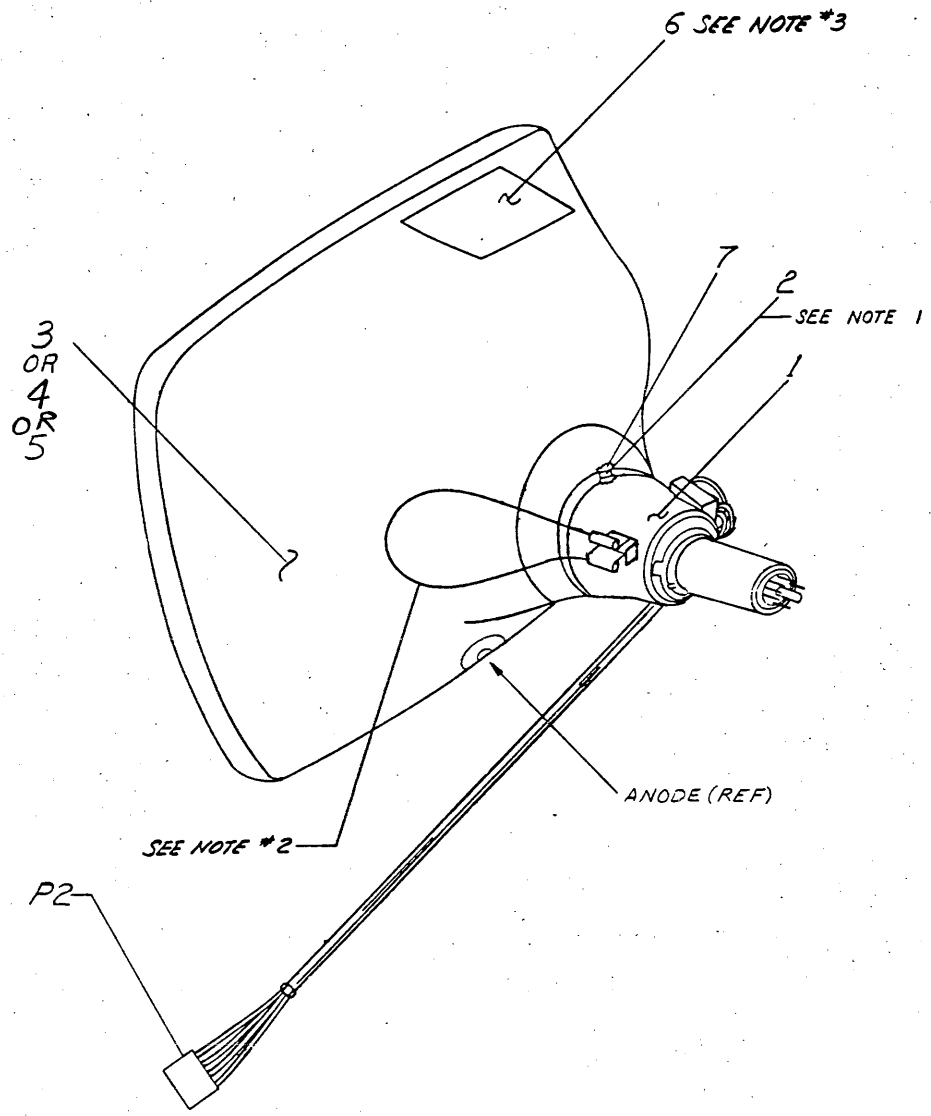
THIS DRAWING AND SPECIFICATIONS, HEREIN, ARE THE PROPERTY OF DIGITAL EQUIPMENT CORPORATION AND SHALL NOT BE REPRODUCED OR COPIED OR USED IN WHOLE OR IN PART AS THE BASIS FOR THE MANUFACTURE OR SALE OF ITEMS WITHOUT WRITTEN PERMISSION.
 COPYRIGHT © 1982 - DIGITAL EQUIPMENT CORPORATION

7 0-0-22610L 2

| LEGEND | |
|------------|---------------------------------------|
| NUMBER | VARIATION |
| 7019722-00 | CRT & YOKE ASSY (WHITE PHOSPHOR) P4 |
| 7019722-01 | CRT & YOKE ASSY (GREEN PHOSPHOR) P31 |
| 7019722-02 | CRT & YOKE ASSY (AMBER PHOSPHOR) P134 |

NOTES:

- USE AS REQUIRED THE FOLLOWING MAGNETICS FOR PINCUSHION CORRECTION:
 1216530-00 - 2.5 GAUSS
 1216530-01 - 3.5 GAUSS
 1216530-02 - 4.5 GAUSS
 1216530-03 - 6.5 GAUSS
 1216530-04 - 10. GAUSS
 SET IN PLACE USING HOT WAX GLUE ITEM 7.
- FORM SPRING TO CONTACT AQUADAG IN TWO PLACES.
- LABEL POSITION IS FOR REFERENCE ONLY. POSITION MAY VARY.



CAUTION: OFF SHEET PARTS LIST EXISTS, SEE K-PL-7019722-0-DBP

| REV. | CHG. | INITIAL | DATE |
|------|------|---------|------|
| 1 | | | |

| THIRD ANGLE PROJECTION | | QUANTITY & VARIATION | | DESCRIPTION | | DWG. PART NO. | | ITEM NO. | |
|--------------------------------------|---------------------|----------------------|----------------|---|--|-------------------|--|---|--|
| DRN. <i>all</i> | CHK'D | DRN. <i>all</i> | CHK'D | UNLESS OTHERWISE SPECIFIED DIMENSIONS ARE IN INCHES | | 7019722-0-0 | | 2 | |
| ENG. <i>2</i> | PROJ. ENG. <i>2</i> | PROJ. <i>2</i> | PROJ. <i>2</i> | ANGLES 30° | | CLASS OF ACCURACY | | NOMINAL DIMENSION RANGE INCHES | |
| REMOVE BURRS AND BREAK SHARP CORNERS | | DO NOT SCALE DWG | | SURFACE QUALITY IN | | MICROINCHES | | OVER 0 TO 0.2 | |
| MATERIAL | | NEXT HIGHER ASSY. | | MEDIUM | | PREFERRED | | OVER 0.2 TO 1.2 | |
| FINISH | | SCALE NONE | | CHECK ONE | | PREPARED | | OVER 1.2 TO 17.0 | |
| SHEET 1 OF 1 | | DIST. | | NONE | | 1.012 ± 0.018 | | OVER 17.0 TO 40.0 | |
| | | | | NONE | | 2.026 ± 0.04 | | OVER 40.0 TO 80.0 | |
| | | | | NONE | | 2.026 ± 0.1 | | OVER 80.0 TO 160.0 | |
| | | | | NONE | | 2.026 ± 0.1 | | OVER 160.0 TO 320.0 | |
| | | | | NONE | | 2.026 ± 0.1 | | OVER 320.0 TO 640.0 | |
| | | | | NONE | | 2.026 ± 0.1 | | OVER 640.0 TO 1280.0 | |
| | | | | NONE | | 2.026 ± 0.1 | | OVER 1280.0 TO 2560.0 | |
| | | | | NONE | | 2.026 ± 0.1 | | OVER 2560.0 TO 5120.0 | |
| | | | | NONE | | 2.026 ± 0.1 | | OVER 5120.0 TO 10240.0 | |
| | | | | NONE | | 2.026 ± 0.1 | | OVER 10240.0 TO 20480.0 | |
| | | | | NONE | | 2.026 ± 0.1 | | OVER 20480.0 TO 40960.0 | |
| | | | | NONE | | 2.026 ± 0.1 | | OVER 40960.0 TO 81920.0 | |
| | | | | NONE | | 2.026 ± 0.1 | | OVER 81920.0 TO 163840.0 | |
| | | | | NONE | | 2.026 ± 0.1 | | OVER 163840.0 TO 327680.0 | |
| | | | | NONE | | 2.026 ± 0.1 | | OVER 327680.0 TO 655360.0 | |
| | | | | NONE | | 2.026 ± 0.1 | | OVER 655360.0 TO 1310720.0 | |
| | | | | NONE | | 2.026 ± 0.1 | | OVER 1310720.0 TO 2621440.0 | |
| | | | | NONE | | 2.026 ± 0.1 | | OVER 2621440.0 TO 5242880.0 | |
| | | | | NONE | | 2.026 ± 0.1 | | OVER 5242880.0 TO 10485760.0 | |
| | | | | NONE | | 2.026 ± 0.1 | | OVER 10485760.0 TO 20971520.0 | |
| | | | | NONE | | 2.026 ± 0.1 | | OVER 20971520.0 TO 41943040.0 | |
| | | | | NONE | | 2.026 ± 0.1 | | OVER 41943040.0 TO 83886080.0 | |
| | | | | NONE | | 2.026 ± 0.1 | | OVER 83886080.0 TO 167772160.0 | |
| | | | | NONE | | 2.026 ± 0.1 | | OVER 167772160.0 TO 335544320.0 | |
| | | | | NONE | | 2.026 ± 0.1 | | OVER 335544320.0 TO 671088640.0 | |
| | | | | NONE | | 2.026 ± 0.1 | | OVER 671088640.0 TO 1342177280.0 | |
| | | | | NONE | | 2.026 ± 0.1 | | OVER 1342177280.0 TO 2684354560.0 | |
| | | | | NONE | | 2.026 ± 0.1 | | OVER 2684354560.0 TO 5368709120.0 | |
| | | | | NONE | | 2.026 ± 0.1 | | OVER 5368709120.0 TO 10737418240.0 | |
| | | | | NONE | | 2.026 ± 0.1 | | OVER 10737418240.0 TO 21474836480.0 | |
| | | | | NONE | | 2.026 ± 0.1 | | OVER 21474836480.0 TO 42949672960.0 | |
| | | | | NONE | | 2.026 ± 0.1 | | OVER 42949672960.0 TO 85899345920.0 | |
| | | | | NONE | | 2.026 ± 0.1 | | OVER 85899345920.0 TO 171798691840.0 | |
| | | | | NONE | | 2.026 ± 0.1 | | OVER 171798691840.0 TO 343597383680.0 | |
| | | | | NONE | | 2.026 ± 0.1 | | OVER 343597383680.0 TO 687194767360.0 | |
| | | | | NONE | | 2.026 ± 0.1 | | OVER 687194767360.0 TO 1374389534720.0 | |
| | | | | NONE | | 2.026 ± 0.1 | | OVER 1374389534720.0 TO 2748779069440.0 | |
| | | | | NONE | | 2.026 ± 0.1 | | OVER 2748779069440.0 TO 5497558138880.0 | |
| | | | | NONE | | 2.026 ± 0.1 | | OVER 5497558138880.0 TO 10995116277760.0 | |
| | | | | NONE | | 2.026 ± 0.1 | | OVER 10995116277760.0 TO 21990232555520.0 | |
| | | | | NONE | | 2.026 ± 0.1 | | OVER 21990232555520.0 TO 43980465111040.0 | |
| | | | | NONE | | 2.026 ± 0.1 | | OVER 43980465111040.0 TO 87960930222080.0 | |
| | | | | NONE | | 2.026 ± 0.1 | | OVER 87960930222080.0 TO 175921860444160.0 | |
| | | | | NONE | | 2.026 ± 0.1 | | OVER 175921860444160.0 TO 351843720888320.0 | |
| | | | | NONE | | 2.026 ± 0.1 | | OVER 351843720888320.0 TO 703687441776640.0 | |
| | | | | NONE | | 2.026 ± 0.1 | | OVER 703687441776640.0 TO 1407374883553280.0 | |
| | | | | NONE | | 2.026 ± 0.1 | | OVER 1407374883553280.0 TO 2814749767106560.0 | |
| | | | | NONE | | 2.026 ± 0.1 | | OVER 2814749767106560.0 TO 5629499534213120.0 | |
| | | | | NONE | | 2.026 ± 0.1 | | OVER 5629499534213120.0 TO 11258999068426240.0 | |
| | | | | NONE | | 2.026 ± 0.1 | | OVER 11258999068426240.0 TO 22517998136852480.0 | |
| | | | | NONE | | 2.026 ± 0.1 | | OVER 22517998136852480.0 TO 45035996273704960.0 | |
| | | | | NONE | | 2.026 ± 0.1 | | OVER 45035996273704960.0 TO 90071992547409920.0 | |
| | | | | NONE | | 2.026 ± 0.1 | | OVER 90071992547409920.0 TO 180143985094819840.0 | |
| | | | | NONE | | 2.026 ± 0.1 | | OVER 180143985094819840.0 TO 360287970189639680.0 | |
| | | | | NONE | | 2.026 ± 0.1 | | OVER 360287970189639680.0 TO 720575940379279360.0 | |
| | | | | NONE | | 2.026 ± 0.1 | | OVER 720575940379279360.0 TO 1441151880758558720.0 | |
| | | | | NONE | | 2.026 ± 0.1 | | OVER 1441151880758558720.0 TO 2882303761517117440.0 | |
| | | | | NONE | | 2.026 ± 0.1 | | OVER 2882303761517117440.0 TO 5764607523034234880.0 | |
| | | | | NONE | | 2.026 ± 0.1 | | OVER 5764607523034234880.0 TO 11529215046068469760.0 | |
| | | | | NONE | | 2.026 ± 0.1 | | OVER 11529215046068469760.0 TO 23058430092136939520.0 | |
| | | | | NONE | | 2.026 ± 0.1 | | OVER 23058430092136939520.0 TO 46116860184273879040.0 | |
| | | | | NONE | | 2.026 ± 0.1 | | OVER 46116860184273879040.0 TO 92233720368547758080.0 | |
| | | | | NONE | | 2.026 ± 0.1 | | OVER 92233720368547758080.0 TO 184467440737095516160.0 | |
| | | | | NONE | | 2.026 ± 0.1 | | OVER 184467440737095516160.0 TO 368934881474191032320.0 | |
| | | | | NONE | | 2.026 ± 0.1 | | OVER 368934881474191032320.0 TO 737869762948382064640.0 | |
| | | | | NONE | | 2.026 ± 0.1 | | OVER 737869762948382064640.0 TO 1475739525896764129280.0 | |
| | | | | NONE | | 2.026 ± 0.1 | | OVER 1475739525896764129280.0 TO 2951479051793528258560.0 | |
| | | | | NONE | | 2.026 ± 0.1 | | OVER 2951479051793528258560.0 TO 5902958103587056517120.0 | |
| | | | | NONE | | 2.026 ± 0.1 | | OVER 5902958103587056517120.0 TO 11805916207174113034240.0 | |
| | | | | NONE | | 2.026 ± 0.1 | | OVER 11805916207174113034240.0 TO 23611832414348226068480.0 | |
| | | | | NONE | | 2.026 ± 0.1 | | OVER 23611832414348226068480.0 TO 47223664828696452136960.0 | |
| | | | | NONE | | 2.026 ± 0.1 | | OVER 47223664828696452136960.0 TO 94447329657392904273920.0 | |
| | | | | NONE | | 2.026 ± 0.1 | | OVER 94447329657392904273920.0 TO 188894659314785808547840.0 | |
| | | | | NONE | | 2.026 ± 0.1 | | OVER 188894659314785808547840.0 TO 377789318629571617095680.0 | |
| | | | | NONE | | 2.026 ± 0.1 | | OVER 377789318629571617095680.0 TO 755578637259143234191360.0 | |
| | | | | NONE | | 2.026 ± 0.1 | | OVER 755578637259143234191360.0 TO 1511157274518286468382720.0 | |
| | | | | NONE | | 2.026 ± 0.1 | | OVER 1511157274518286468382720.0 TO 3022314549036572936765440.0 | |
| | | | | NONE | | 2.026 ± 0.1 | | OVER 3022314549036572936765440.0 TO 6044629098073145873530880.0 | |
| | | | | NONE | | 2.026 ± 0.1 | | OVER 6044629098073145873530880.0 TO 12089258196146291747061760.0 | |
| | | | | NONE | | 2.026 ± 0.1 | | OVER 12089258196146291747061760.0 TO 2417851639229258349412320.0 | |
| | | | | NONE | | 2.026 ± 0.1 | | OVER 2417851639229258349412320.0 TO 4835703278458516698824640.0 | |
| | | | | NONE | | 2.026 ± 0.1 | | OVER 4835703278458516698824640.0 TO 9671406556917033397649280.0 | |
| | | | | NONE | | 2.026 ± 0.1 | | OVER 9671406556917033397649280.0 TO 19342813113834066795298560.0 | |
| | | | | NONE | | 2.026 ± 0.1 | | OVER 19342813113834066795298560.0 TO 38685626227668133590597120.0 | |
| | | | | NONE | | 2.026 ± 0.1 | | OVER 38685626227668133590597120.0 TO 77371252455336267181194240.0 | |
| | | | | NONE | | 2.026 ± 0.1 | | OVER 77371252455336267181194240.0 TO 154742504910672534362388480.0 | |
| | | | | NONE | | 2.026 ± 0.1 | | OVER 154742504910672534362388480.0 TO 309485009821345068724776960.0 | |
| | | | | NONE | | 2.026 ± 0.1 | | OVER 309485009821345068724776960.0 TO 618970019642690137449553920.0 | |
| | | | | NONE | | 2.026 ± 0.1 | | OVER 618970019642690137449553920.0 TO 1237940039285380274899107840.0 | |
| | | | | NONE | | 2.026 ± 0.1 | | OVER 1237940039285380274899107840.0 TO 2475880078570760549798215680.0 | |
| | | | | NONE | | 2.026 ± 0.1 | | OVER 2475880078570760549798215680.0 TO 4951760157141521099596431360.0 | |
| | | | | NONE | | 2.026 ± 0.1 | | OVER 4951760157141521099596431360.0 TO 9903520314283042199192862720.0 | |
| | | | | NONE | | 2.026 ± 0.1 | | OVER 9903520314283042199192862720.0 TO 19807040628566084398385725440.0 | |
| | | | | NONE | | 2.026 ± 0.1 | | OVER 19807040628566084398385725440.0 TO 39614081257132168796771450880.0 | |
| | | | | NONE | | 2.026 ± 0.1 | | OVER 39614081257132168796771450880.0 TO 79228162514264337593542901760.0 | |
| | | | | NONE | | 2.026 ± 0.1 | | OVER 79228162514264337593542901760.0 TO 158456325028528675187085803520.0 | |
| | | | | NONE | | 2.026 ± 0.1 | | OVER 158456325028528675187085803520.0 TO 316912650057057350374171607040.0 | |
| | | | | NONE | | 2.026 ± 0.1 | | OVER 316912650057057350374171607040.0 TO 633825300114114700748343214080.0 | |
| | | | | NONE | | 2.026 ± 0.1 | | OVER 633825300114114700748343214080.0 TO 1267650600228229401496686428160.0 | |
| | | | | NONE | | 2.026 ± 0.1 | | OVER 1267650600228229401496686428160.0 TO 2535301200456458802993372856320.0 | |
| | | | | NONE | | 2.026 ± 0.1 | | OVER 2535301200456458802993372856320.0 TO 5070602400912917605986745712640.0 | |
| | | | | NONE | | 2.026 ± 0.1 | | OVER 5070602400912917605986745712640.0 TO 10141204801825835211973491425280.0 | |
| | | | | NONE | | 2.026 ± 0.1 | | OVER 10141204801825835211973491425280.0 TO 20282409603651670423946982850560.0 | |
| | | | | NONE | | 2.026 ± 0.1 | | OVER 20282409603651670423946982850560.0 TO 40564819207303340847893965701120.0 | |

AUTOMATED BY PRTLST.3P(44)

PARTS LIST

SHEET A1 OF A1

| LINE ITEM | DOCUMENT NUMBER | PART NUMBER | DESCRIPTION | QUANTITY PER VARIATION | | | |
|-----------|-----------------|------------------|-------------|----------------------------------|-----|-----|-----|
| | | | | 00 | 01 | 02 | |
| 1 | 1 | D-AD-7019721-0-0 | 7019721-00 | YOKE ASSY | 1 | 1 | 1 |
| 2 | 2 | SEE NOTE #1 | | | A/R | A/R | A/R |
| 3 | 3 | | 1219593-03 | CRT,12" P134 PHOSPHOR | - | - | 1 |
| 4 | 4 | | 1219593-01 | CRT,12" P4 PHOSPHORUS,ANTI GLARE | 1 | - | - |
| 5 | 5 | | 1219593-02 | CRT,12" P31 PHOSPHOR | - | 1 | - |
| 6 | 6 | | 3610267-00 | DECAL, ADHESIVE BACK -DANGER HIG | 1 | 1 | 1 |
| 7 | 7 | | 4901303-00 | WAX | A/R | A/R | A/R |

8 NOTE: SEE NOTE #1 ON D-IA-7019722-0-0

| REVISION HISTORY | | BASIC PART NO: 7019722 | |
|---|------------|--|--|
| ENG | ECD NUMBER | REV | SECTION A OF A |
| | INITIAL | A | SECTION, VARIATION INDEX [A] 00,01,02 |
| | | | [B] |
| | | | [C] |
| | | | [D] |
| | | | [E] |
| | | | [F] |
| DRN: B. CLARK <i>BC</i> | | DATE: 13-MAY-82 | |
| CHK'D: D. HEALY <i>DH</i> | | DATE: 13-MAY-82 | |
| DES.ENG.: J. DIMACK <i>JD</i> | | DATE: 13-MAY-82 | |
| RESP.ENG.: B. NOTT <i>BN</i> | | DATE: 13-MAY-82 | |
| MFG.ENG.: G. WU <i>GW</i> | | DATE: 13-MAY-82 | |
| ASSEMBLY NUMBER: D-IA-7019722-0-0 | | TOP DOCUMENT NUMBER: E-AU-7019578-0-0 | |
| TITLE PARTS LIST CRT AND YOKE ASSEMBLY | | DOCUMENT NUMBER 7019722-0-DBP | |
| SIZE | CODE | NUMBER | REV |
| K | PL | 7019722-0-DBP | A |
| FILE NAME: Z4605A.PLS | | EDIT #: 17 | |
| <p>*THIS DRAWING AND SPECIFICATIONS HEREIN, ARE THE PROPERTY OF DIGITAL EQUIPMENT CORPORATION AND SHALL NOT BE REPRODUCED OR COPIED OR USED IN WHOLE OR IN PART AS THE BASIS FOR THE MANUFACTURE OR SALE OF ITEMS WITHOUT WRITTEN PERMISSION. COPYRIGHT (C) 1982, DIGITAL EQUIPMENT CORPORATION *</p> | | | |

THIS DRAWING AND SPECIFICATIONS, HEREIN AND THE PROPERTY OF THE UNITED STATES GOVERNMENT AND IS NOT TO BE REPRODUCED OR COPIED IN WHOLE OR IN PART WITHOUT THE EXPRESS WRITTEN PERMISSION OF THE UNITED STATES GOVERNMENT.

0-0-24502 2

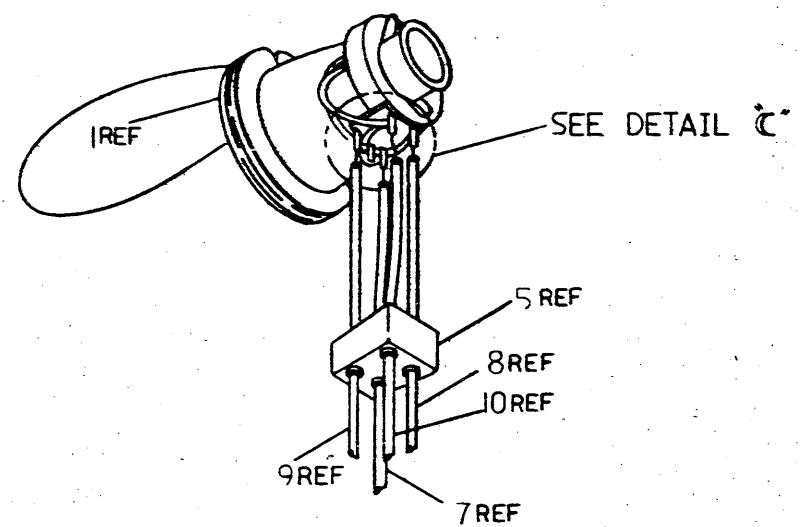
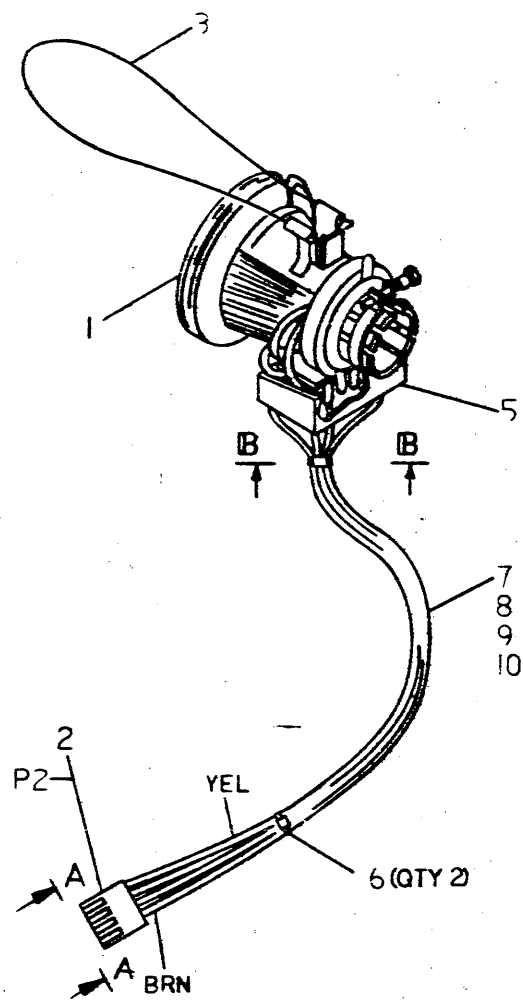
| LEGEND | | |
|-------------|-----|-----------|
| PART NUMBER | REV | VARIATION |
| 7019721-00 | A2 | AS SHOWN |

| WIRE TABLE | | | | | | | |
|------------|-----|-------|-----------------|---|-----------------|---|--------------|
| ITEM NO | AWG | COLOR | FROM | | TO | | WIRE LENGTHS |
| | | | CONNECTION WITH | * | CONNECTION WITH | * | |
| 9 | 22 | YEL | P.C.B.1-4 | * | P2-4 | 4 | 8.00IN±.25 |
| 10 | 22 | GRN | P.C.B.1-3 | * | P2-2 | 4 | 8.00IN±.25 |
| 8 | 22 | RED | P.C.B.1-2 | * | P2-3 | 4 | 8.00IN±.25 |
| 7 | 22 | BRN | P.C.B.1-1 | * | P2-1 | 4 | 8.00IN±.25 |

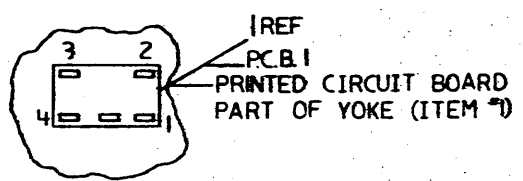
* INDICATES SOLDER

NOTES:

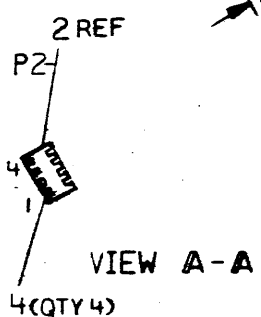
1. SLIDE TERMINAL COVER (ITEM #5) OVER WIRES, SOLDER WIRES TO TERMINALS AS SPECIFIED BY COLOR, USING WIRE TABLE.



VIEW B-B



DETAIL C
SCALE: NONE



VIEW A-A

CAUTION: OFF SHEET PARTS LIST EXISTS. REFER TO K-PL-7019721-0-08P

| | | |
|-----|----------|----------|
| REV | BY | DATE |
| A | A. JOHNS | 10/19/72 |
| B | A. JOHNS | 10/19/72 |

| | | |
|---|-------------------|--------------------|
| DESCRIPTION | DRG. PART NO. | ITEM NO. |
| UNLESS OTHERWISE SPECIFIED DIMENSIONS ARE IN INCHES | | |
| ANGLES | CLASS OF ACCURACY | NOMINAL DIMENSIONS |
| SURFACE QUALITY | FINISH | TOLERANCES |
| QUANTITY & VARIATION | DRN | FIRST USED ON |
| THIRD ANGLE PROJECTION | CHKD | TITLE |
| REMOVE BURRS AND BREAK SHARP CORNERS | ENGR | YOKE ASSEMBLY |
| DO NOT SCALE DWG | PROL ENG | SIZE |
| MATERIAL SEE PARTS LIST | FINISH | SCALE |
| | | SHEET 1 OF 1 |

AUTOMATED BY PRTLST.3P(44)

PARTS LIST

SHEET A1 OF A1

| LINE | ITEM | DOCUMENT NUMBER | PART NUMBER | DESCRIPTION | QUANTITY PER VARIATION |
|------|------|------------------|-------------|--------------------------------|------------------------|
| | | | | | 00 |
| 1 | 1 | | 1220096-01 | YOKE | 1 |
| 2 | 2 | | 1216520-01 | CONN,PTS 04POS(1X04) HSG | 1 |
| 3 | 3 | | 1216518-02 | SPRING,STAINLESS STEEL .043THK | 1 |
| 4 | 4 | | 1216519-00 | CONN,PTS 01POS 24-18AWG CANTIL | 4 |
| 5 | 5 | C-MD-7425911-0-0 | 7425911-00 | COVER,TERMINAL (49-TA306-00) | 1 |
| 6 | 6 | | 9009996-00 | TIE,CABLE PRELOADED MAG.100 EA | 2 |
| 7 | 7 | SEE NOTE | 9107804-11 | WIRE, 22AWG(07/30)PVC 600V1 | 10 |
| 8 | 8 | SEE NOTE | 9107804-22 | WIRE, 22AWG(07/30)PVC 600V1 | 10 |
| 9 | 9 | SEE NOTE | 9107804-44 | WIRE, 22AWG(07/30)PVC 600V1 | 10 |
| 10 | 10 | SEE NOTE | 9107804-55 | WIRE, 22AWG(07/30)PVC 600V1 | 10 |

11 NOTE: QTY OF ITEMS 7, 8, 9, 10, GIVEN IN INCHES.

| REVISION HISTORY | | BASIC PART NO: 7019721 | |
|-----------------------------------|------------|---------------------------------------|--------------------------|
| ENG | ECO NUMBER | REV | SECTION A OF A |
| | INITIAL | A | SECTION. VARIATION INDEX |
| | | | [A] 00 |
| | | | [B] |
| | | | [C] |
| | | | [D] |
| | | | [E] |
| | | | [F] |
| DRN: B. CLARK <i>BC</i> | | DATE: 13-MAY-82 | |
| CHK'D: D. HEALY <i>DH</i> | | DATE: 13-MAY-82 | |
| DES.ENG.: J. DIMACK <i>JD</i> | | DATE: 13-MAY-82 | |
| RESP.ENG.: B. NOTT <i>BN</i> | | DATE: 13-MAY-82 | |
| MFG.ENG.: G. WU <i>GW</i> | | DATE: 13-MAY-82 | |
| ASSEMBLY NUMBER: D-AD-7019721-0-0 | | TOP DOCUMENT NUMBER: E-AD-7019578-0-0 | |
| TITLE: Yoke ASSY. | | DOCUMENT NUMBER: 7019721-0-DBP | |
| SIZE: K | | CODE: PL | |
| FILE NAME: Z4604A.PLS | | REV: A | |
| EDIT # | | 6 | |

*THIS DRAWING AND SPECIFICATIONS HEREIN, ARE THE PROPERTY OF DIGITAL EQUIPMENT CORPORATION AND SHALL NOT BE REPRODUCED OR COPIED OR USED IN WHOLE OR IN PART AS THE BASIS FOR THE MANUFACTURE OR SALE OF ITEMS WITHOUT WRITTEN PERMISSION. COPYRIGHT (C) 1982. DIGITAL EQUIPMENT CORPORATION *