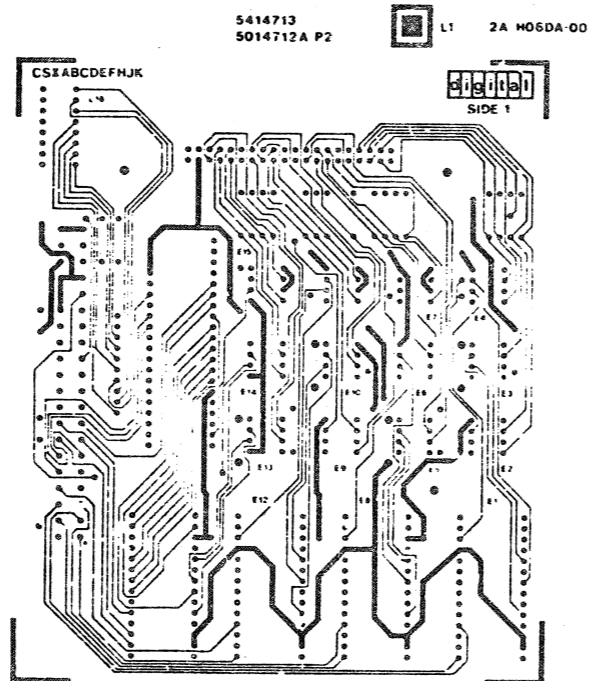
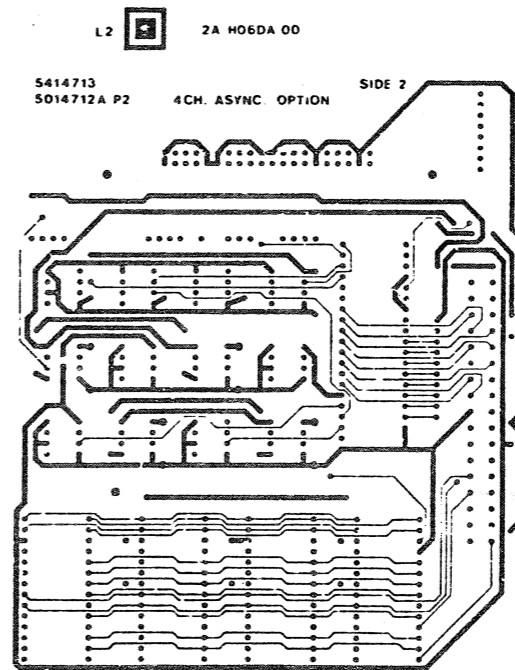


THIS DRAWING AND SPECIFICATIONS HEREIN ARE THE PROPERTY OF DIGITAL EQUIPMENT CORPORATION AND SHALL NOT BE REPRODUCED OR COPIED OR USED IN WHOLE OR IN PARTS AS THE BASIS FOR THE MANUFACTURE OR SALE OF ITEMS WITHOUT WRITTEN PERMISSION. COPYRIGHT ©1982 DIGITAL EQUIPMENT CORPORATION.



VIEWED FROM SIDE 1



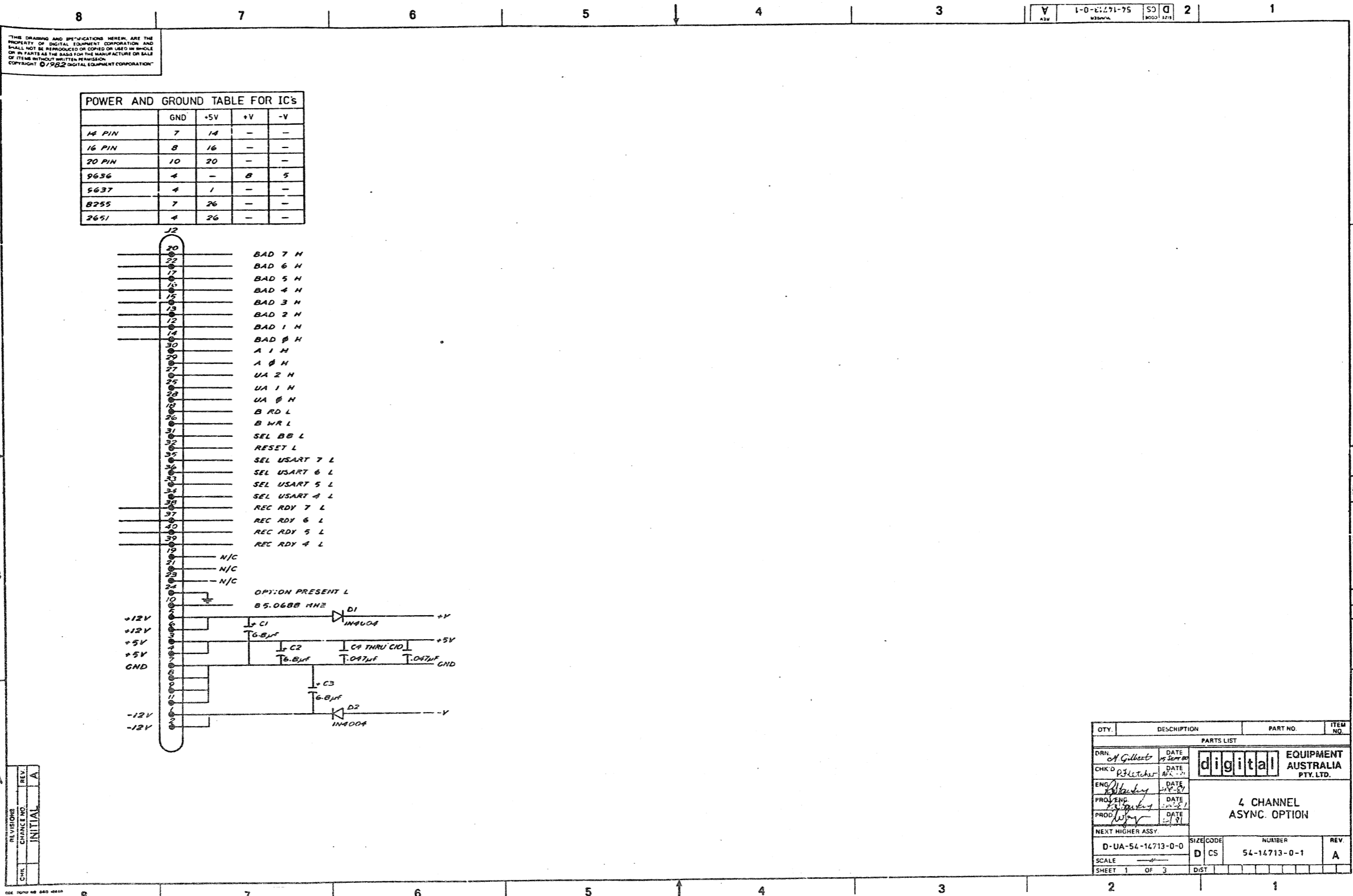
VIEWED FROM SIDE 2

REVISIONS		
EMP	CHANGE NO	REV

ETCH REV A-P2

TITLE	4 CHANNEL ASYNC OPTION	SIZE CODE	C UA	NUMBER	5414713-0-0	REV	A
SCALE	1/1	SHEET	2	OF	2	DIST	

SIZE CODE C UA
NUMBER 5414713-0-0
REV A



REV.	INITIAL
1	A

QTY.	DESCRIPTION	PART NO.	ITEM NO.
PARTS LIST			
DRN	<i>of Gilbert</i>	DATE	12/27/80
CHK'D	<i>R Fletcher</i>	DATE	1/2/81
ENG	<i>W. H. ...</i>	DATE	1/2/81
PROJ. ENG.	<i>W. H. ...</i>	DATE	1/2/81
PROD.	<i>W. H. ...</i>	DATE	1/2/81
NEXT HIGHER ASSY.			
D-UA-54-14713-0-0		SIZE CODE	D CS
SCALE		NUMBER	54-14713-0-1
SHEET 1 OF 3		DIST	

digital EQUIPMENT AUSTRALIA PTY. LTD.

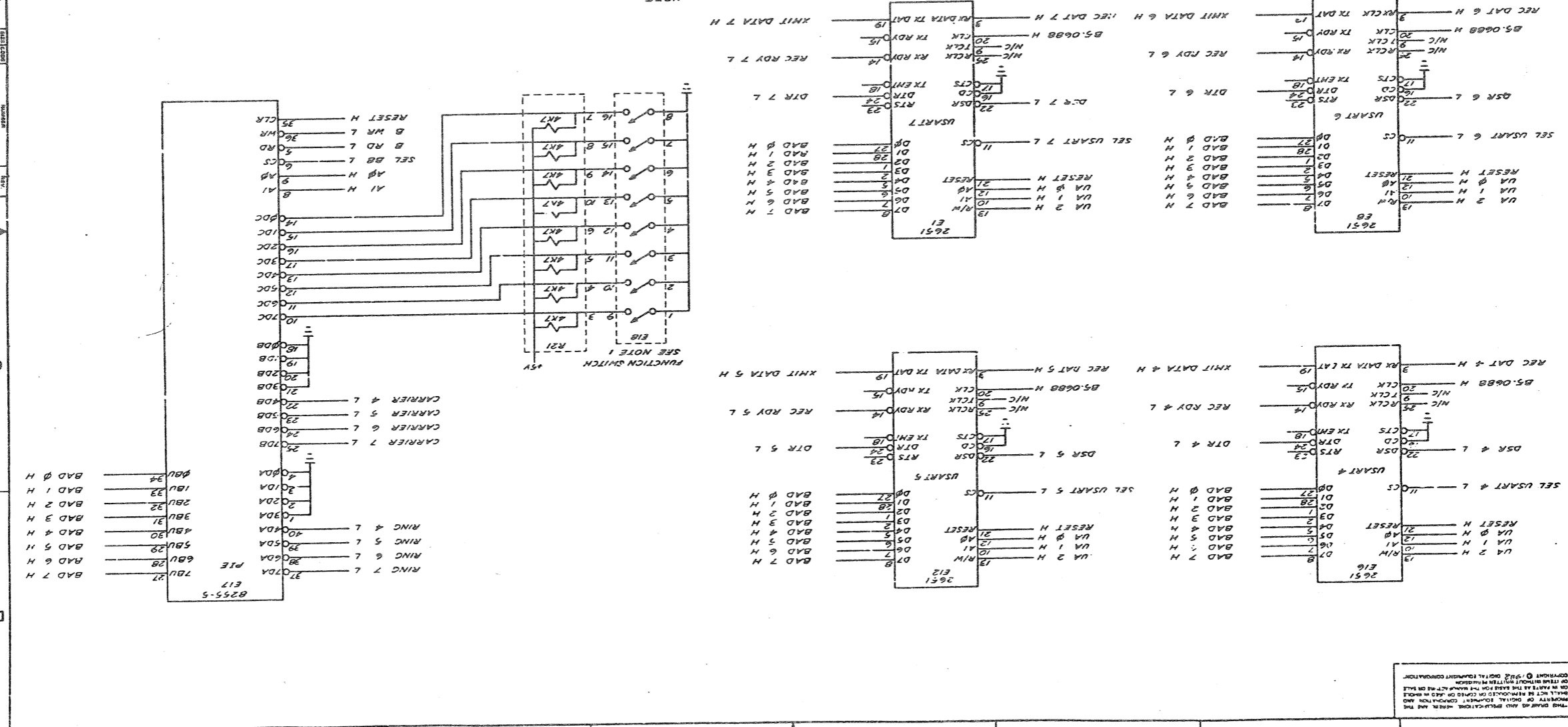
4 CHANNEL ASYNC. OPTION

REV. A
PART NO. 54-14713-0-1
D CS

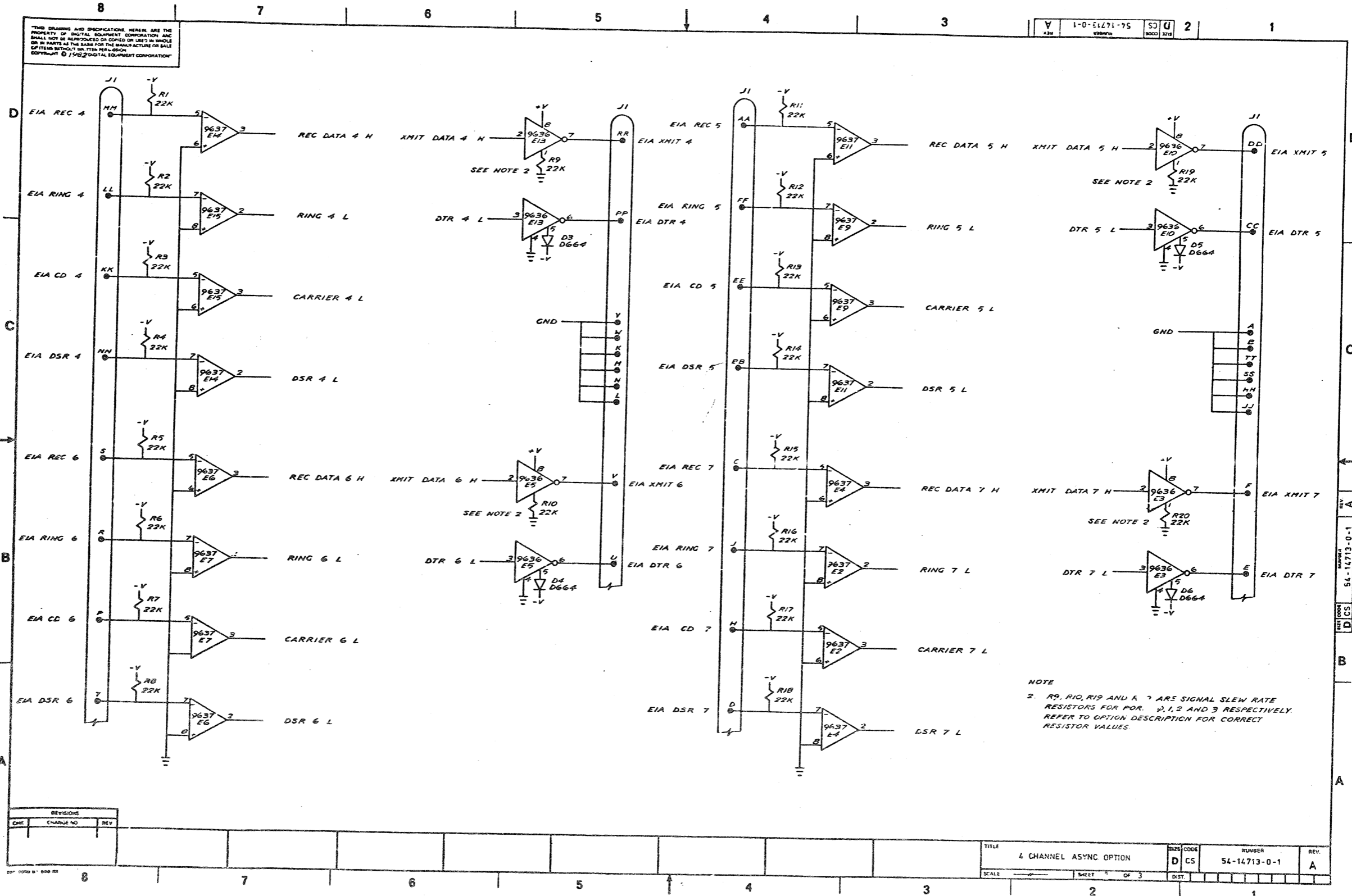
PORT NUMBER	SWITCH
EIB-5	4
EIB-6	5
EIB-7	6
EIB-8	7

PCRT NUMBER	SWITCH
EIB-1	4
EIB-2	5
EIB-3	6
EIB-4	7

NOTE
 1. EIB-1 TO EIB-4 ARE THE ASYNCHRONOUS PORT MAPPING SWITCHES.
 A SWITCH ON (CLOSED) DISABLES THE PORT. A SWITCH OFF (OPEN) ENABLES THE PORT.
 EIB-5 TO EIB-8 ARE THE ASYNCHRONOUS PORT SYNCHRONIZATION SELEC. SWITCHES.
 A SWITCH ON (CLOSED) ENABLES ASYN NODE. A SWITCH OFF (OPEN) ENABLES BINARY NODE.



THIS DRAWING AND SPECIFICATIONS HEREBY ARE THE PROPERTY OF DIGITAL EQUIPMENT CORPORATION AND SHALL NOT BE REPRODUCED OR TRANSMITTED IN ANY FORM OR BY ANY MEANS, ELECTRONIC OR MECHANICAL, INCLUDING PHOTOCOPYING, RECORDING, OR BY ANY INFORMATION STORAGE AND RETRIEVAL SYSTEMS WITHOUT THE WRITTEN PERMISSION OF DIGITAL EQUIPMENT CORPORATION.



REVISIONS		
DATE	CHANGE NO.	REV.

TITLE	4 CHANNEL ASYNC OPTION	SIZE	CODE	NUMBER	REV.
SCALE		SHEET	OF 3	DIST	