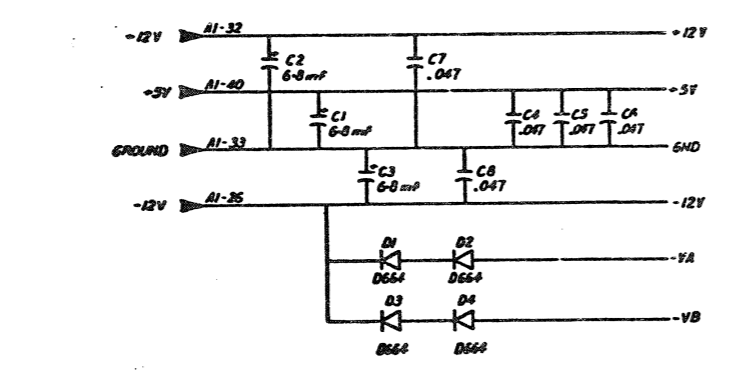
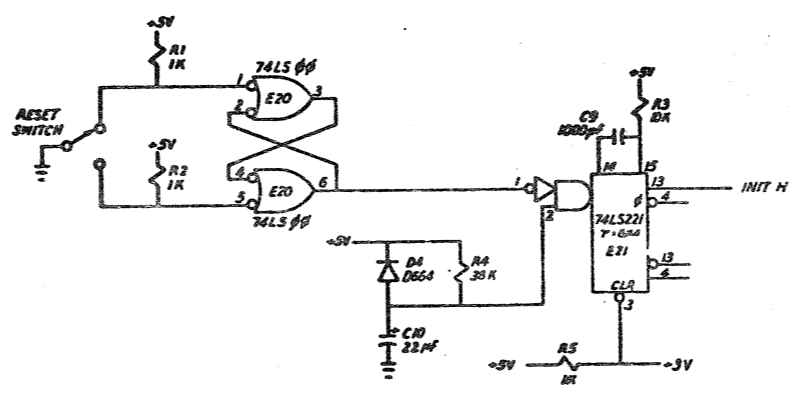


THESE DRAWINGS AND SPECIFICATIONS HEREAFTER ARE THE PROPERTY OF DIGITAL EQUIPMENT CORPORATION AND SHALL NOT BE REPRODUCED OR COPIED OR USED IN WHOLE OR IN PARTS AS THE BASIS FOR THE MANUFACTURE OR SALE OF PRODUCTS WITHOUT WRITTEN PERMISSION. COPYRIGHT © 1982 DIGITAL EQUIPMENT CORPORATION

	GND	+5V	+12V	-12V
9636	4	-	8	5
9637	4	1	-	-
9638	4	1	-	-



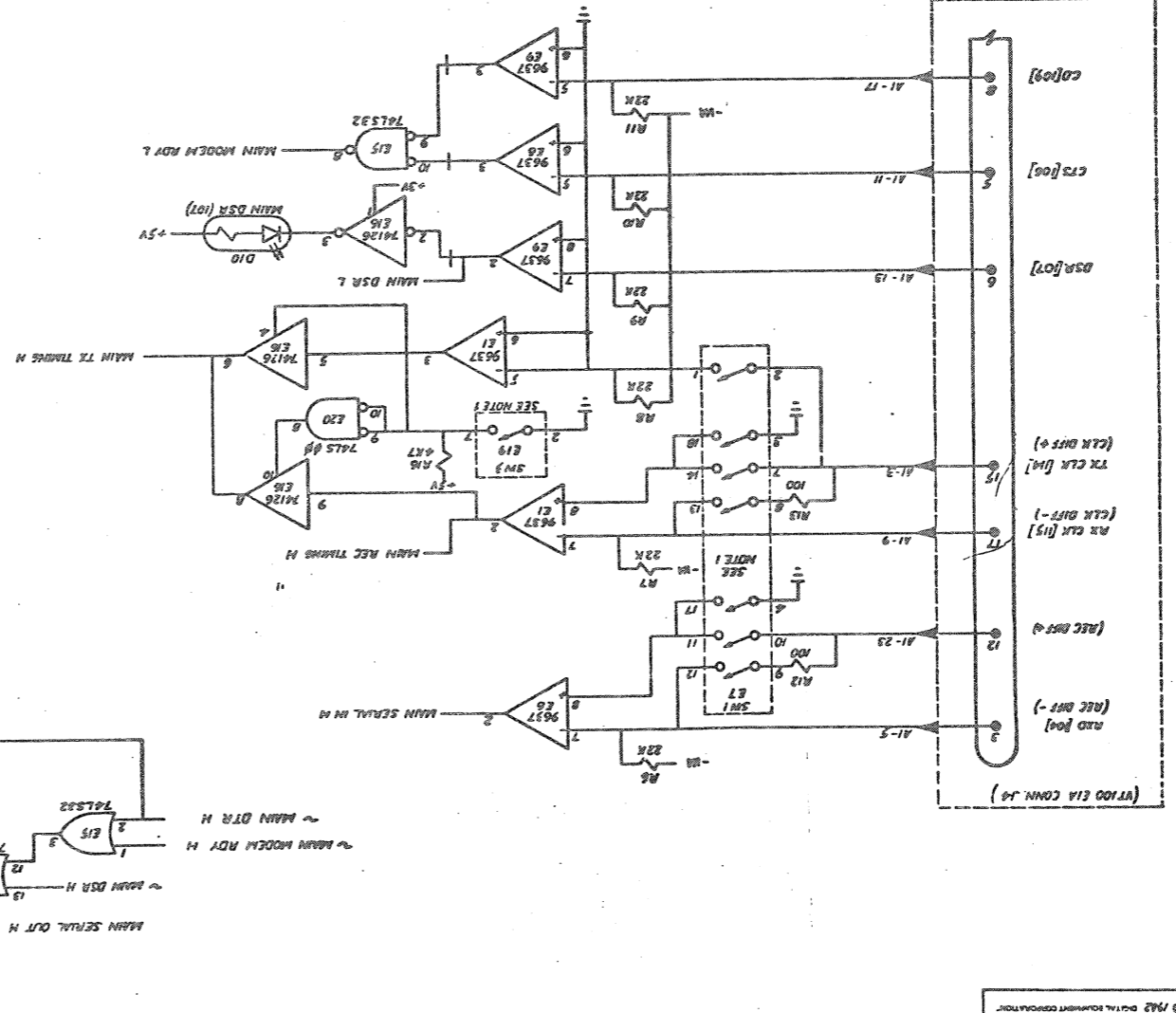
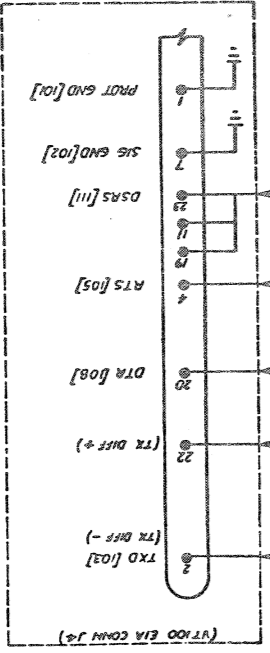
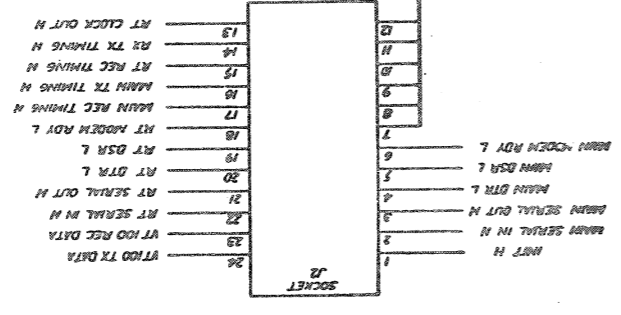
- OPTION PRESENT AI-34 N/C
- VT ADD REC CLOCK AI-30 AI-29
- VT ADD TX CLOCK AI-27 AI-20
- VT ADD TX DATA AI-2
- VT ADD REC DATA AI-6



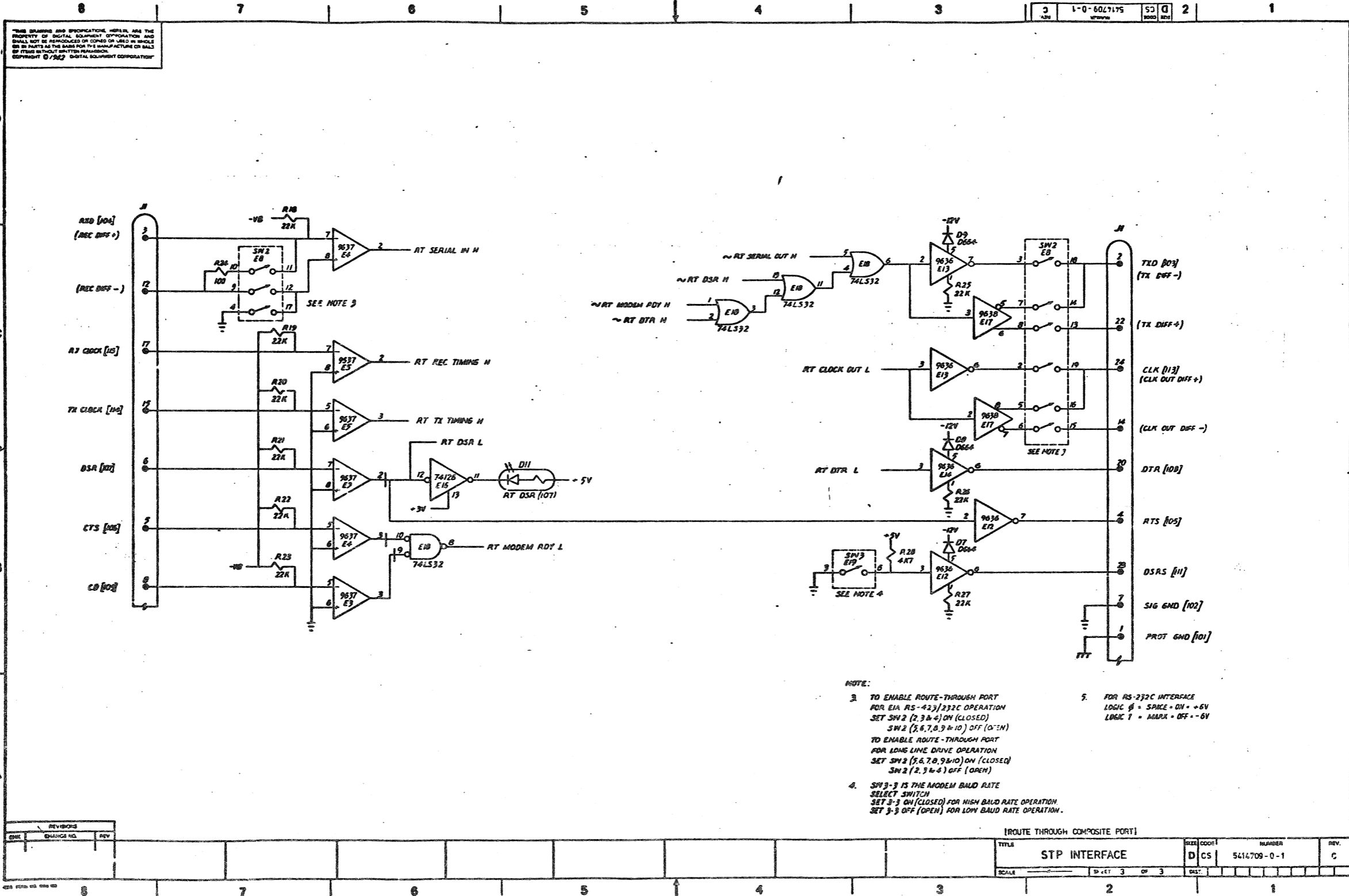
REVISED	REV.	C
CHANGED	INITIAL	

QTY.	DESCRIPTION	PART NO.	ITEM NO.
PARTS LIST			
DATE	DATE	<b>digital</b> EQUIPMENT AUSTRALIA PTY. LTD.  <b>STP INTERFACE</b>	
CHK'D	DATE		
ENG	DATE		
PROD	DATE		
NEXT HIGHER ASSY.		SIZE CODE	NUMBER
D-UA-5414709-0-0		D CS	5414709-0-1
SCALE		REV. C	
SHEET 1 OF 3		DIST	

NOTE:  
 1 TO ENABLE MAIN COMPOSITE PORT  
 FOR EIA RS 423/232C OPERATION  
 SET SW1 (1,2,3&4) ON (CLOSED)  
 SW 1 (5,6,7,8,9&10) OFF (OPEN)  
 TO ENABLE MAIN COMPOSITE PORT  
 FOR LONG LINE DRIVE OPERATION  
 SET SW1 (5,6,7,8,9&10) ON (CLOSED)  
 SW 1 (1,2,3&4) OFF (OPEN)  
 2 SW 2-1 IS TX MODEM BAUD RATE  
 SW 2-2 ON  
 SW 2 (1,2,3&4) OFF (OPEN)  
 SET SW1 (5,6,7,8,9&10) ON (CLOSED)  
 SELECT SWITCH  
 SET 3-1 ON (CLOSED) FOR HIGH BAUD RATE OPERATION  
 SET 3-1 OFF (OPEN) FOR LOW BAUD RATE OPERATION



THIS BOARD AND COMPONENTS THEREON ARE THE PROPERTY OF THE COMPANY AND SHALL BE RETURNED TO THE COMPANY OR DESTROYED BY THE USER AT THE END OF THE PROJECT. NO PARTS OF THIS BOARD ARE TO BE REPRODUCED OR TRANSMITTED IN ANY FORM OR BY ANY MEANS, ELECTRONIC OR MECHANICAL, INCLUDING PHOTOCOPYING, RECORDING, OR BY ANY INFORMATION STORAGE AND RETRIEVAL SYSTEM.





27-JUL-82 08:40

PARTS LIST

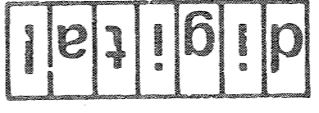
SHEET A1 OF A1

LINE ITEM	DOCUMENT NUMBER	PART NUMBER	DESCRIPTION	QTY PER VARIATION	REFERENCE DESIGNATOR
				00	
1	D-UA-5414711-0	5414711	EIA CONNECTOR CLUSTER	1	
2		7019564-00	SHIELD ASSY.	1	
3		7427101-01	WORT BOX PLASTIC	1	
4		9006028-03	SCREW, PAN, PHIL, 6-32X1	4	
5		9008451-00	SCREWLOCK ASSY.	7	
6		9009120-02	STANDOFF, HEX, M/F 6-32 1/2	4	
7					
8					
9					
10					
11					
12					
13					
14					
15					
16					
17					
18					
19					
20					
21					
22					
23					
24					
25					
26					
27					
28					
29					
30					

REVISION HISTORY		BASIC PART NO: 2AE06KA		DRN: C. ROLINSON		DATE: 9-JUN-82		D I G I T A L	
ENG	ECO HISTORY	REV	SECTION A OF A	CHK'D	D. KNOX	DATE	9-JUN-82	TITLE	PARTS LIST
		A	SECTION VARIATION INDEX						
			[A] 00						
			[B]						
			[C]		DES ENG: R. STARKEY		DATE: 9-JUN-82		
			[D]						
			[E]						DOCUMENT NUMBER
			[F]		RESP. ENG.: R. STARKEY		DATE: 9-JUN-82		
			[H]					SIZE	CODE
			[J]					NUMBER	REV
			[K]		MFG. ENG.: A. WILLIAMS		DATE: 9-JUN-82	K	PL
			[L]					YAE06KB-0-0	A
			[M]		ASSEMBLY NUMBER:		TOP DOCUMENT NUMBER	FILE NAME:	EDIT #
			[N]		D-ADYAE06KB-0-0		B-DD-VT1XX-E-0	KPLYAE06KB	2

"THIS DRAWING AND SPECIFICATIONS HEREIN, ARE THE PROPERTY OF DIGITAL EQUIPMENT CORPORATION AND SHALL NOT BE REPRODUCED OR COPIED OR USED IN WHOLE OR PART AS THE BASIS FOR THE MANUFACTURE OR SALE OF ITEMS WITHOUT WRITTEN PERMISSION. COPYRIGHT (C) 1982. DIGITAL EQUIPMENT CORPORATION"

THIS DRAWING AND SPECIFICATIONS HEREIN ARE THE PROPERTY OF DIGITAL EQUIPMENT CORPORATION AND SHALL NOT BE REPRODUCED OR COPIED OR USED IN WHOLE OR IN PART AS THE BASIS FOR THE MANUFACTURE OR SALE OF ITEMS WITHOUT WRITTEN PERMISSION.  
 COPYRIGHT ©1982 DIGITAL EQUIPMENT CORPORATION.



EQUIPMENT AUSTRALIA PTY. LTD.

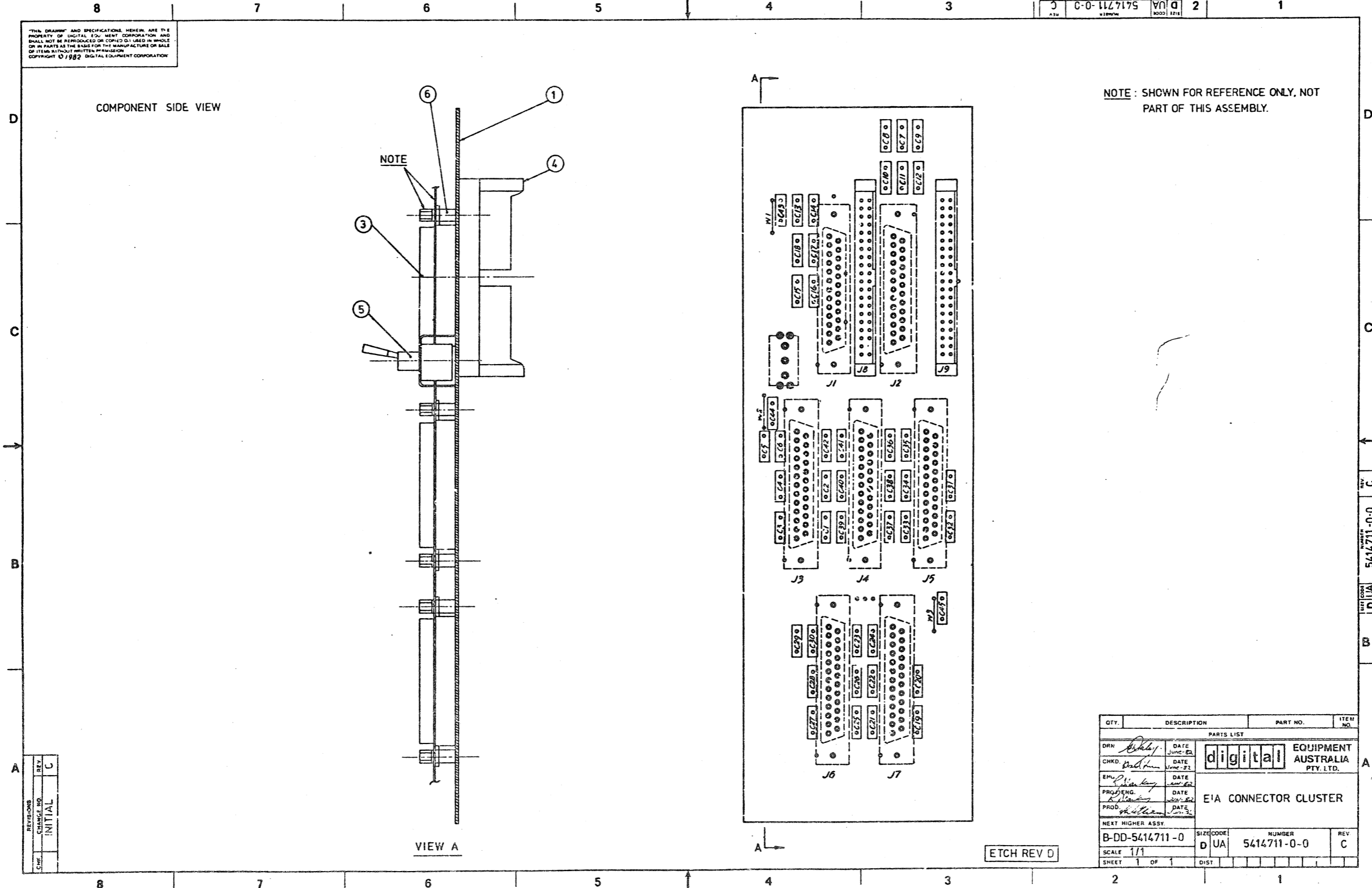
USED ON OPTION/MODEL	WTJXX-EB	DRN. G. Robinson	JUN-82	TITLE	FIA CONNECTOR CLUSTER
		CHK'D.	JUN-82	SIZE CODE	B DD
		ENG. K. Hocking	JUN-82	NUMBER	5414711-G
		PROD. M. Wilson	JUN-82	SHEET 1 OF 1	

NOTES :

DRAWING NO.	PART NO.	DESCRIPTION	REVISIONS	
			DATE	INITIAL
B-DD-5414711-0	54-14711-00	EIA CONNECTOR CLUSTER		C
D-UA-5414711-0-0		EIA CONNECTOR CLUSTER		C
K-PL-5414711-0-0		EIA CONNECTOR CLUSTER		C
D-CS-5414711-0-1		EIA CONNECTOR CLUSTER		C
D-MD-5014710-0-0		DRILL & ETCH DRAWING		F
	50-14710-00	ETCHED CIRCUIT BOARD		D

REV	NUMBER	CODE	SIZE
C	114711	DD	B

THIS DRAWING AND SPECIFICATIONS HEREIN ARE THE PROPERTY OF DIGITAL EQUIPMENT CORPORATION AND SHALL NOT BE REPRODUCED OR COPIED OR USED IN WHOLE OR IN PART AS THE BASIS FOR THE MANUFACTURE OR SALE OF ITEMS WITHOUT WRITTEN PERMISSION. COPYRIGHT © 1982 DIGITAL EQUIPMENT CORPORATION



NOTE: SHOWN FOR REFERENCE ONLY, NOT PART OF THIS ASSEMBLY.

REV	C
INITIAL	
CHANGE NO.	
REVISIONS	

QTY.	DESCRIPTION	PART NO.	ITEM NO.
PARTS LIST			
DRN	<i>Wiley</i>	DATE	JUNE 82
CHKD.	<i>Wiley</i>	DATE	JUNE 82
EM.	<i>Wiley</i>	DATE	JUNE 82
PRO. ENG.	<i>Wiley</i>	DATE	JUNE 82
PROD.	<i>Wiley</i>	DATE	JUNE 82
NEXT HIGHER ASSY.			
B-DD-5414711-0		SIZE CODE	REV
SCALE 1/1		D UA	C
SHEET 1 OF 1		NUMBER	5414711-0-0
		DIST	

ETCH REV D

PART NO. 5414711-0-0 REV. C

QTY PER VARIATION  
REFERENCE DESIGNATOR

PARTS LIST

C1 THRU C45	1
J1 THRU J7	7
J8, J9	2
S1	1
J1 THRU J9	14
W1 THRU W3	3

ETCHED CIRCUIT BOARD	5014710
1000.0 MWF 100V 5X 200PPM	1000042-00
CONN, D SUB 25 PIN PLUG W/PC	1205886-01
HEADER 40 POS VERTICAL	1214886-01
SWITCH SPST 710IP3V30B	1220457-01
STANDOFF PC BOARD	9009113-10
JUMPER WIRE INSULATED	9009189-00

PART NUMBER

DESCRIPTION

LINE ITEM DOCUMENT NUMBER

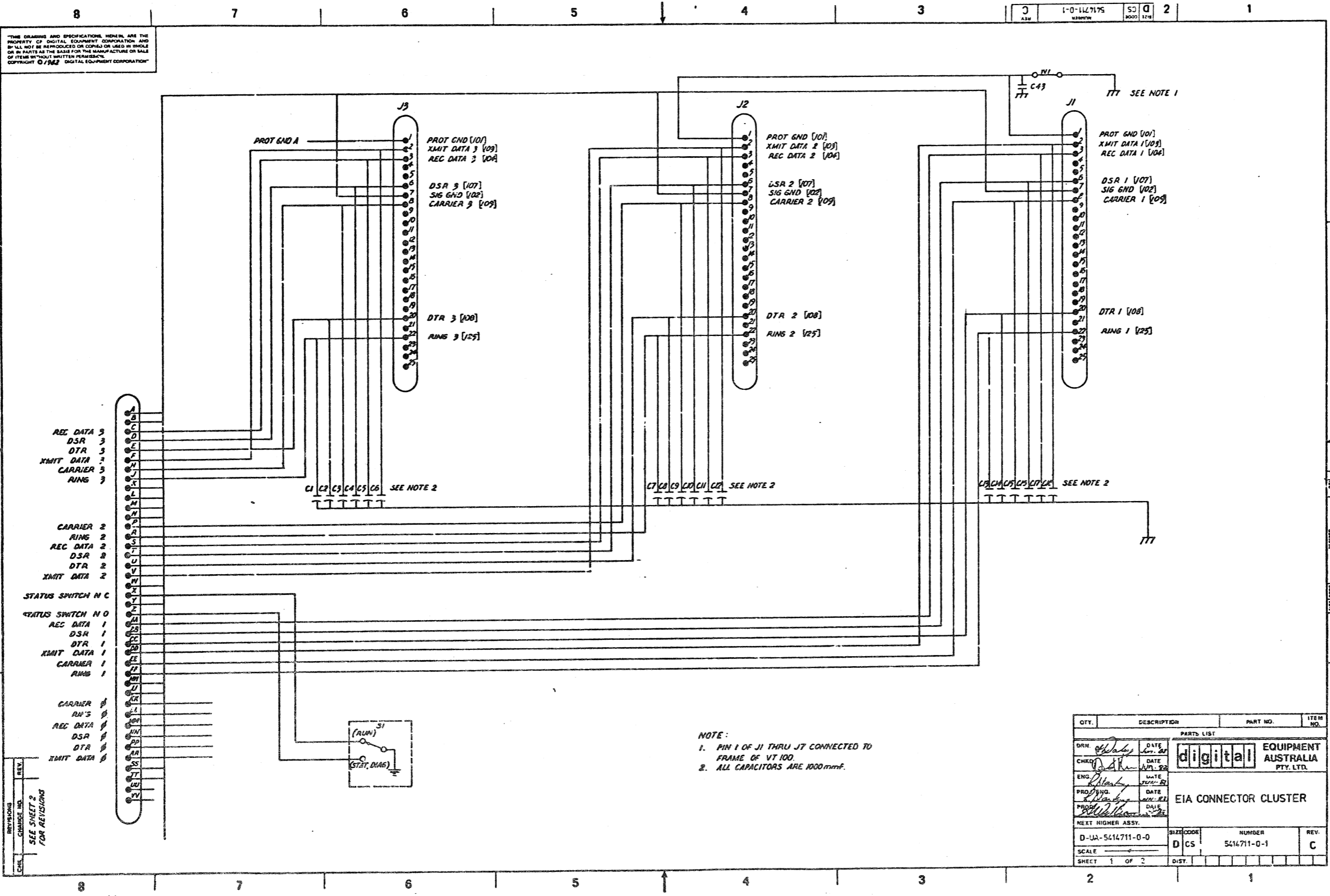
30-JUL-82 10:19

1	1	D-MD-5014710-0-0
2	2	
3	3	
4	4	
5	5	
6	6	
7	7	

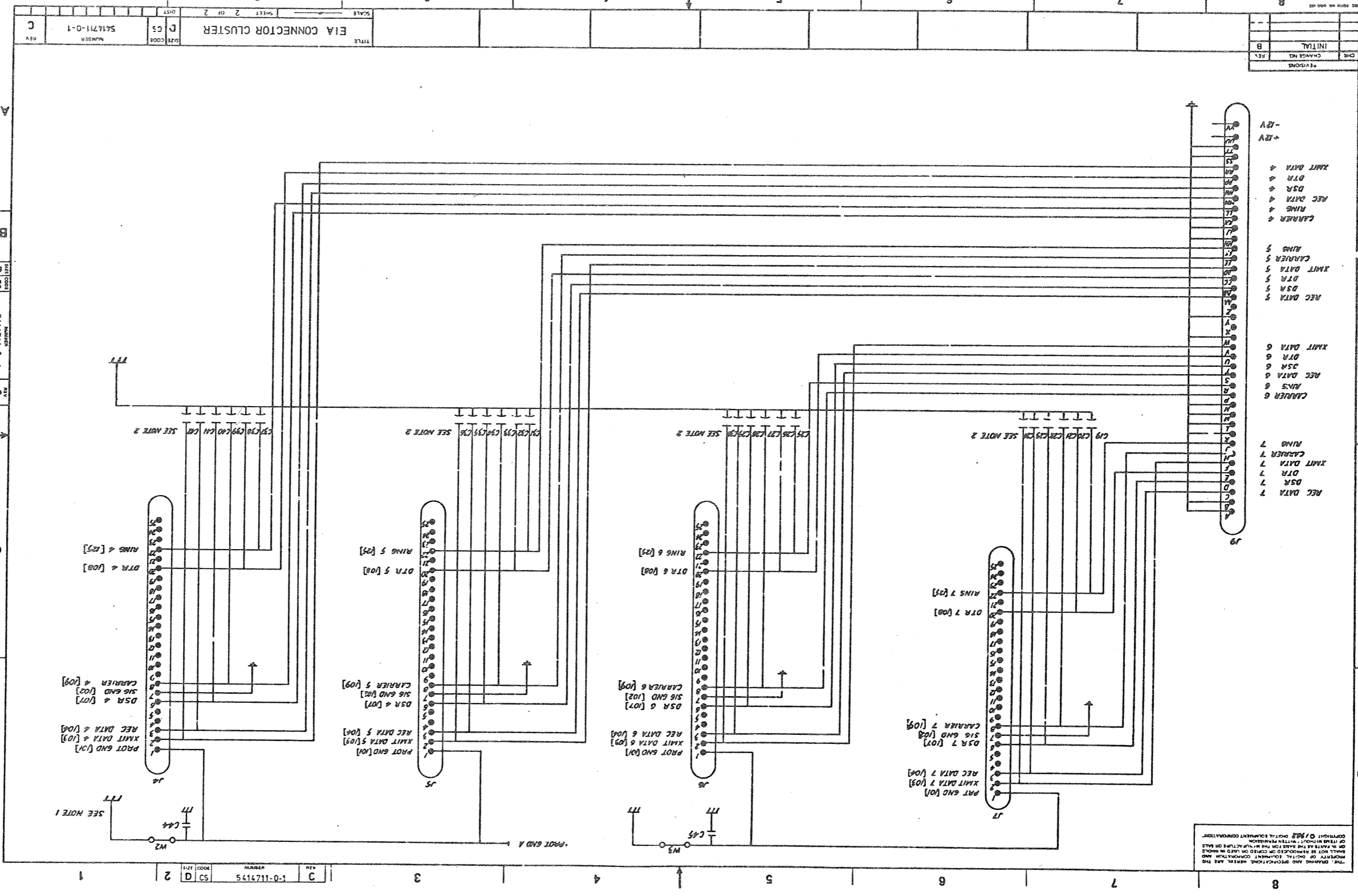
1  
2  
3  
4  
5  
6  
7  
8  
9  
10  
11  
12  
13  
14  
15  
16  
17  
18  
19  
20  
21  
22  
23  
24  
25  
26  
27  
28  
29  
30

REVISION HISTORY		BASIC PART NO: 5414711		DRN:		C. ROLINSON		DATE: 9-JUN-82		TITLE		PARTS LIST	
ECO HISTORY		SECTION A OF A		CHK'D:		D. KNOX		DATE: 9-JUN-82		EIA CONNECTOR CLUSTER			
INITIAL		C		SECTION VARIATION INDEX									
				[A]									
				[B]									
				[C]									
				[D]									
				[E]									
				[F]									
				[G]									
				[H]									
				[I]									
				[J]									
				[K]									
				[L]									
				[M]									
				[N]									
				ASSEMBLY NUMBER:		D-UA-5414711-0-0		TOP DOCUMENT NUMBER		D-AD-YAEO6KA-0-0		FILE NAME: KPL5414711	
				MFG. ENG.:		A. WILLIAMS		DATE:		9-JUN-82		K	
				RESP. ENG.:		R. STARKEY		DATE:		9-JUN-82		PL	
				DOCUMENT NUMBER				SIZE: CODE: NUMBER				REV	
				REV				DOCUMENT NUMBER				C	
				EDIT #				FILE NAME:				4	

"THIS DRAWING AND SPECIFICATIONS HEREIN, ARE THE PROPERTY OF DIGITAL EQUIPMENT CORPORATION AND SHALL NOT BE REPRODUCED OR COPIED OR USED IN WHOLE OR PART AS THE BASIS FOR THE MANUFACTURE OR SALE OF ITEMS WITHOUT WRITTEN PERMISSION. COPYRIGHT (C) 1982 DIGITAL EQUIPMENT CORPORATION"



QTY.	DESCRIPTION	PART NO.	ITEM NO.
PARTS LIST			
DRN	DATE	<b>digital</b> EQUIPMENT AUSTRALIA PTY. LTD.	
CHKD	DATE		
ENG	DATE	EIA CONNECTOR CLUSTER	
PROF	DATE		
PROF	DATE	NEXT HIGHER ASSY.	
SCALE	DATE		
D-1A-5214711-0-0	SIZE CODE	NUMBER	REV.
SHEET 1 OF 2	D C S	5214711-0-1	C



REV	CS	5414711-0-1	REV
CS	CS	5414711-0-1	REV
EIA CONNECTOR CLUSTER		SCALE	2 OF 2
NUMBER		DATE	5414711-0-1
REV		INITIAL	
REV		CHANGED BY	
REV		DATE	

REV	CS	5414711-0-1	REV
CS	CS	5414711-0-1	REV
EIA CONNECTOR CLUSTER		SCALE	2 OF 2
NUMBER		DATE	5414711-0-1
REV		INITIAL	
REV		CHANGED BY	
REV		DATE	

THE DRAWING AND SPECIFICATIONS HEREIN ARE THE PROPERTY OF THE COMPANY AND SHALL NOT BE REPRODUCED OR USED IN ANY MANNER WITHOUT THE WRITTEN PERMISSION OF THE COMPANY. © 1988