



THE MATERIAL HEREIN IS FOR INFORMATION PURPOSES ONLY AND IS SUBJECT TO CHANGE WITHOUT NOTICE. DIGITAL EQUIPMENT CORPORATION ASSUMES NO RESPONSIBILITY FOR ANY ERRORS WHICH MAY APPEAR HEREIN.

# DRAWING DIRECTORY

THIS DRAWING AND SPECIFICATIONS HEREIN, ARE THE PROPERTY OF DIGITAL EQUIPMENT CORPORATION AND SHALL NOT BE REPRODUCED OR COPIED OR USED IN WHOLE OR IN PART AS THE BASIS FOR THE MANUFACTURE OR SALE OF ITEMS WITHOUT WRITTEN PERMISSION. COPYRIGHT ©1982 DIGITAL EQUIPMENT CORPORATION

UNIT VARIATIONS	
VAR	TITLE

REVISIONS	REV	C	USED ON OPTION/MODEL	DRN	<i>A. Collins</i>	DATE	<i>JUN-82</i>	TITLE	digital		
	CHG. NO.	INITIAL		CHKD.	<i>R. Hanky</i>	DATE	<i>JUN-82</i>				
	DATE			PROJ. ENG.	<i>R. Hanky</i>	DATE	<i>JUN-82</i>				
				PROD.	<i>A. Williams</i>	DATE	<i>JUN-82</i>				
			SHEET 1 OF 2	SIZE	B	CODE	DD	NUMBER	VT1XX-E-0	REV.	C
				DIST.							

FIND NO.	DRAWING NO.	DESCRIPTION	TYPE	FIND NO.	DRAWING NO.	DESCRIPTION	TYPE
1.	B-TC-VT1XX-E-1	VT1XX-EB PRINT SET	M				
	D-UA-VT1XX-E-0	VT1XX-EB UNIT ASSEMBLY	M				
	K-PL-VT1XX-E-0	VT1XX-EB UNIT ASSEMBLY	M				
2.	B-DD-5414707-0	VT1XX-EB CONTROL	E/M				
3.	B-DD-5414709-0	STP INTERFACE	E/M				
4.	B-DD-5414711-0	EIA CONNECTOR CLUSTER	E/M				
5.	B-DD-5414713-0	4CH. ASYNCHRONOUS OPTION	E/M				
6.	B-DD-5413384-0	VT100 EXPANSION BACKPLANE	E/M				
7.	D-AD-YAE06KB-0	WORT BOX ASSEMBLY	M				
	K-PL-YAE06KB-0-0	WORT BOX ASSEMBLY	M				
8.	D-IA-BC08S-0-0	I/O CABLE ASSY. (WORT BOX)	E/M				
9.	D-IA-7016165-0-0	CABLE, 24 COND DIP SOCKET	E/M				
10.	D-UA-H883-0-0	H883 TEST CONNECTOR	E/M				
	D-CS-H883-0-1	H883 TEST CONNECTOR	E/M				

TYPE: E ELECTRICAL  
M MECHANICAL  
E/M ELECTRO/MECHANICAL

digital

TITLE

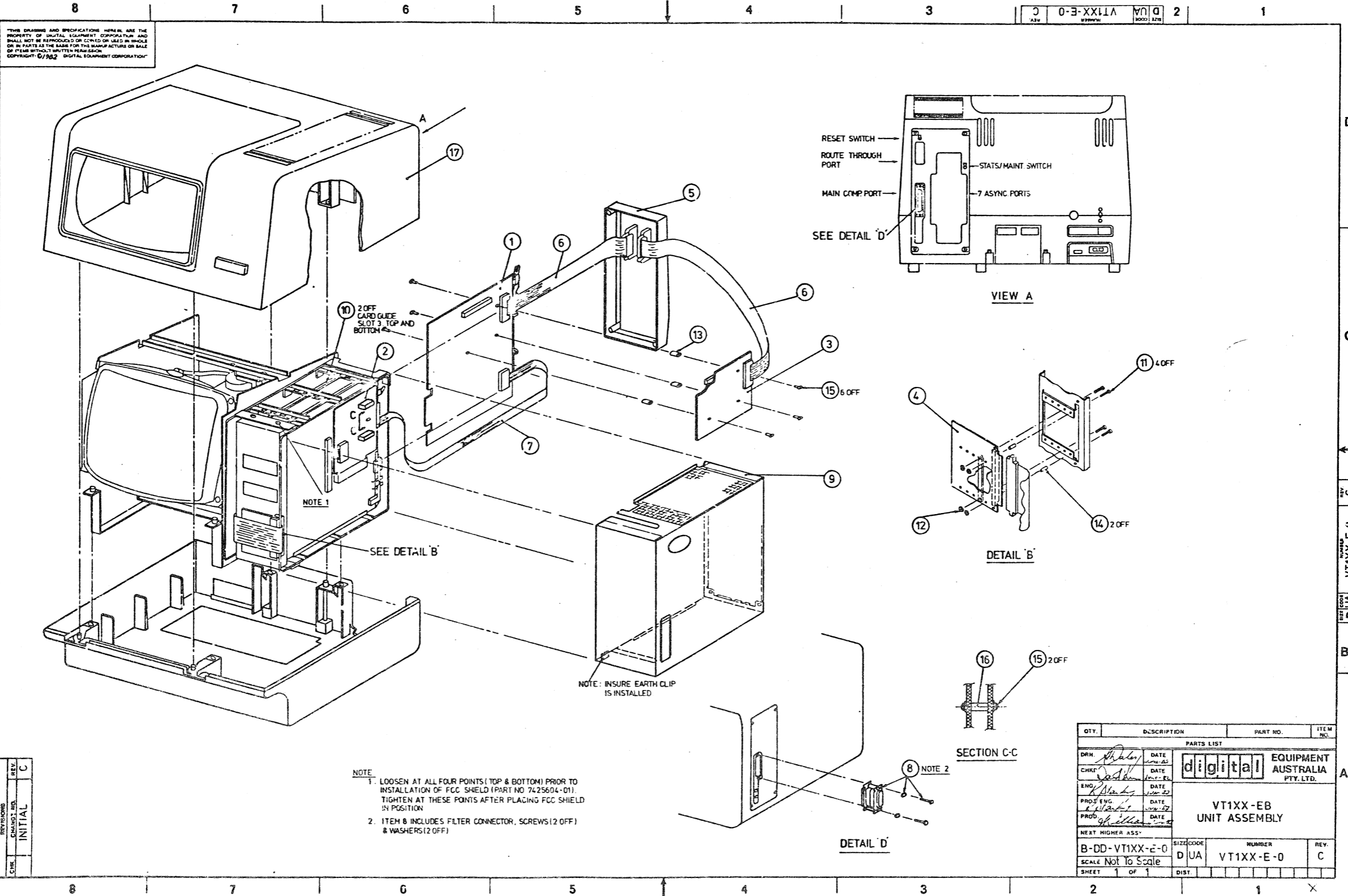
VT1XX-EB UNIT ASSEMBLY

Sheet 2 of 2

SIZE B  
CODE DD

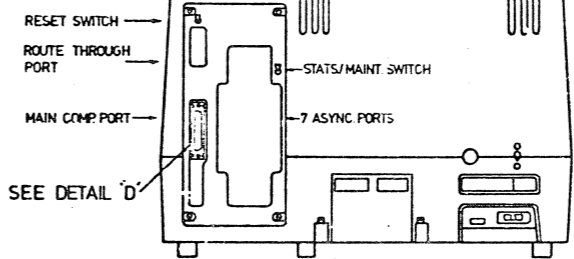
NUMBER VT1XX-E-0

REV C

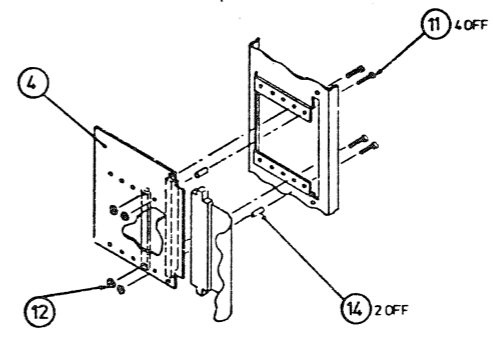


THIS DRAWING AND SPECIFICATIONS HEREAFTER ARE THE PROPERTY OF DIGITAL EQUIPMENT CORPORATION AND SHALL NOT BE REPRODUCED OR COPIED OR USED IN WHOLE OR IN PART AS THE BASIS FOR THE MANUFACTURE OR SALE OF ITEMS WITHOUT WRITTEN PERMISSION. COPYRIGHT © 1982 DIGITAL EQUIPMENT CORPORATION.

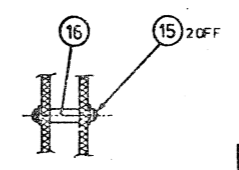
D U A V T 1 X X - E - 0 2 1



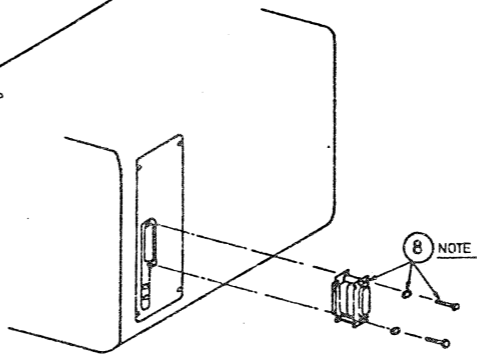
VIEW A



DETAIL B



SECTION C-C



DETAIL D

- NOTE
1. LOOSEN AT ALL FOUR POINTS (TOP & BOTTOM) PRIOR TO INSTALLATION OF FCC SHIELD (PART NO 7425604-D1). TIGHTEN AT THESE POINTS AFTER PLACING FCC SHIELD IN POSITION.
  2. ITEM 8 INCLUDES FILTER CONNECTOR, SCREWS (2 OFF) & WASHERS (2 OFF)

REV. C	INITIAL
CHANGING DES.	
DESIGNING	

QTY.	DESCRIPTION	PART NO.	ITEM NO.
PARTS LIST			
DRN: <i>[Signature]</i>	DATE: <i>[Date]</i>	<b>digital</b> EQUIPMENT AUSTRALIA PTY. LTD.	
CHKD: <i>[Signature]</i>	DATE: <i>[Date]</i>		
ENG: <i>[Signature]</i>	DATE: <i>[Date]</i>		
PROD. ENG: <i>[Signature]</i>	DATE: <i>[Date]</i>		
PROD. <i>[Signature]</i>	DATE: <i>[Date]</i>		
NEXT HIGHER ASSY:			
B-DD-VT1XX-E-0	SIZE CODE: D UA	NUMBER: VT1XX-E-0	REV. C
SCALE: Not To Scale			
SHEET 1 OF 1	DIST.		

REV. C  
PART NO. VT1XX-E-0

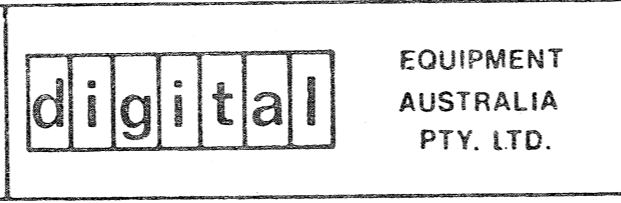


DRAWING NO.	NO OF SHTS	PART NO.	DESCRIPTION	REVISIONS
B-DD-5414707-0	1	54-14707-00	VT1XX-EB CONTROL BOARD	C
D-UA-5414707-0-0	2		VT1XX-EB CONTROL BOARD	C
K-PL-5414707-0-0	2		VT1XX-EB CONTROL BOARD	C
D-CS-5414707-0-1	9		VT1XX-EB CONTROL	C
B-MD-5014706-0-0			DRILL & EICH DRAWING	D
		50-14706-00	ETCHED CIRCUIT BOARD	D

NOTES :

REVISIONS	DATE	CHG NO.	REV	INITIAL
				C

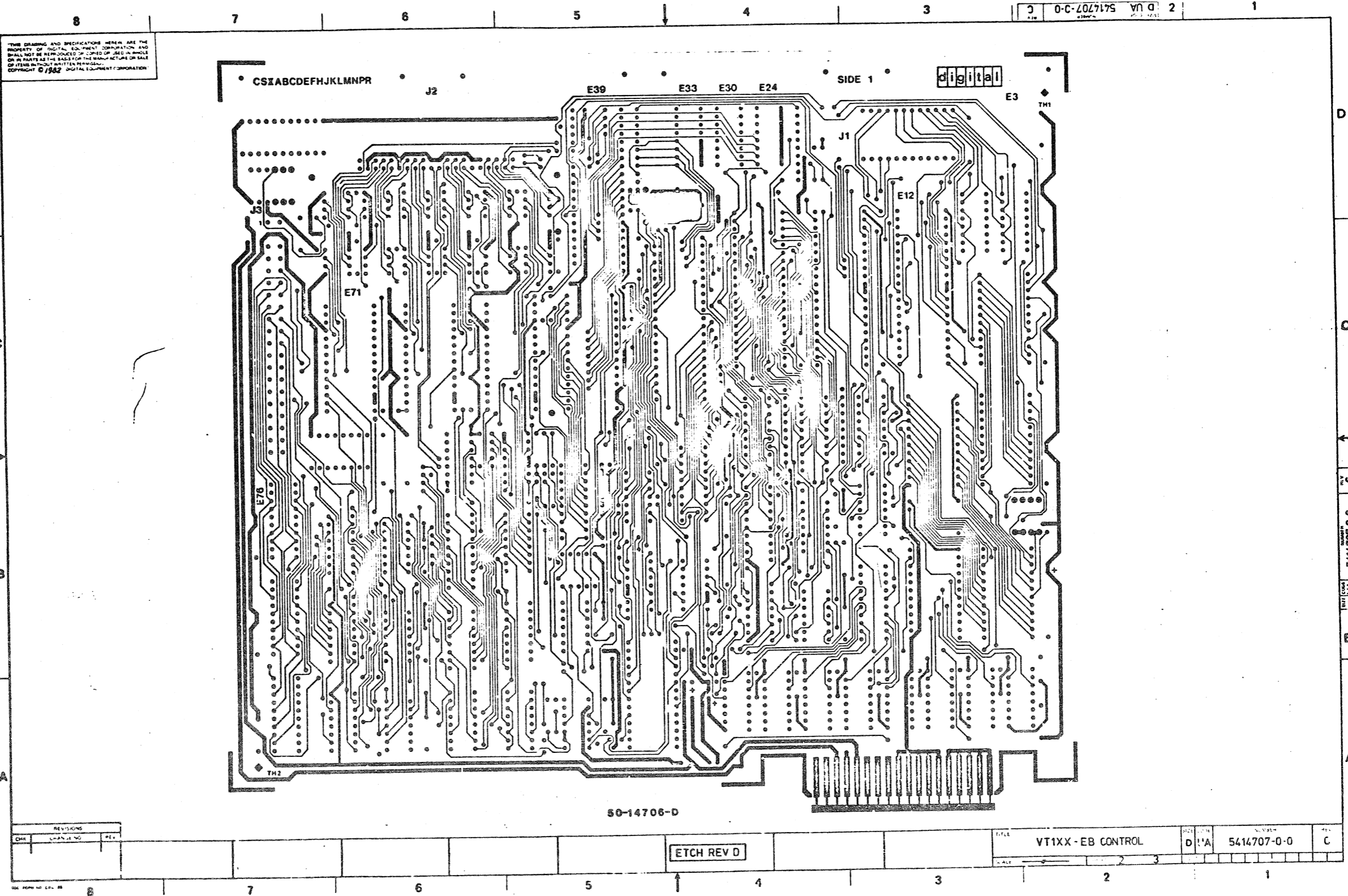
THIS DRAWING AND SPECIFICATIONS HEREIN ARE THE PROPERTY OF DIGITAL EQUIPMENT CORPORATION AND SHALL NOT BE REPRODUCED OR COPIED OR USED IN WHOLE OR IN PART AS THE BASIS FOR THE MANUFACTURE OR SALE OF ITEMS WITHOUT WRITTEN PERMISSION  
 COPYRIGHT ©1982 DIGITAL EQUIPMENT CORPORATION



USED ON OPTION/MODEL	DRN. <i>B. Robinson</i> JUN-82	TITLE	VT1XX-EB CONTROL
VT1XX-EB	CHK'D. <i>R. Stark</i> JUN-82	SIZE	B
	ENG. <i>R. Stark</i> JUN-82	CODE	DD
	PROD. <i>Shillean</i> JUN-82	NUMBER	5414707-0
		REV.	C
		SHEET	1 OF 1



THIS DRAWING AND SPECIFICATIONS HEREIN ARE THE PROPERTY OF DIGITAL EQUIPMENT CORPORATION AND SHALL NOT BE REPRODUCED OR COPIED IN WHOLE OR IN PART AS THE BASIS FOR THE MANUFACTURE OR SALE OF ITEMS WITHOUT WRITTEN PERMISSION.  
 COPYRIGHT © 1982 DIGITAL EQUIPMENT CORPORATION



0-C-2027175 VU D 2

CSXABCDEFGHIJKLMNPR

SIDE 1

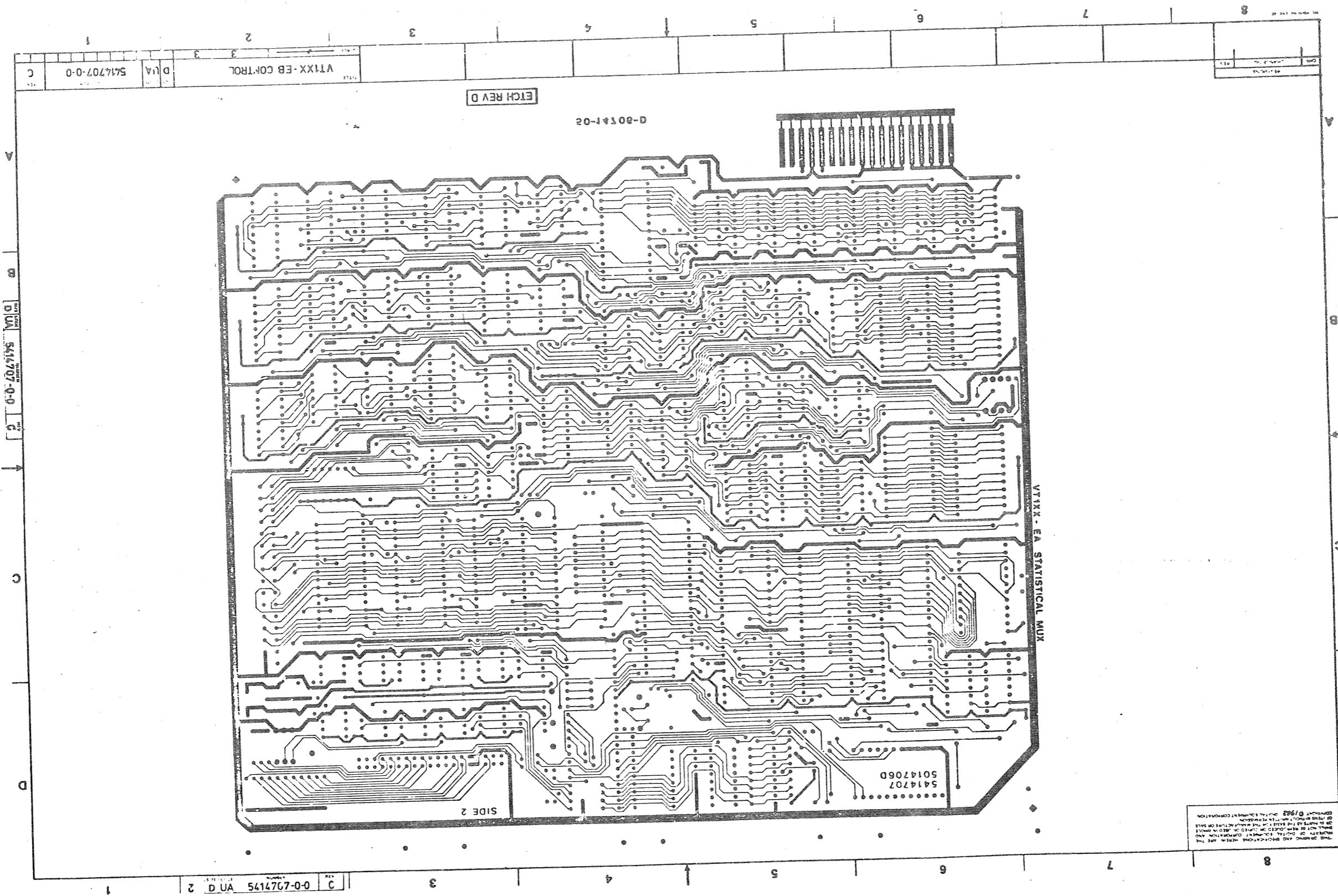
digital

50-14706-D

REVISIONS		
CHR	DATE	REV

ETCH REV D

TITLE	VT1XX-EB CONTROL	SIZE	D 1/4	NUMBER	5414707-0-0	REV	C
SCALE	1:1	1	2	3	4	5	6



ETCH REV D  
 DIA 5414707-0-0  
 C

DIA 5414707-0-0  
 C

C 0-0-797475  
 DIA 2  
 C

STATISTICAL MUX

D-30141-02

5414707  
 5014706D

SIDE 2

THIS DRAWING AND PRODUCTION MASTER ARE THE PROPERTY OF THE COMPANY AND SHALL BE KEPT IN CONFIDENTIALITY. NO PART OF THIS DRAWING IS TO BE REPRODUCED OR TRANSMITTED IN ANY FORM OR BY ANY MEANS, ELECTRONIC OR MECHANICAL, INCLUDING PHOTOCOPYING, RECORDING, OR BY ANY INFORMATION STORAGE AND RETRIEVAL SYSTEM. WITHOUT THE WRITTEN PERMISSION OF THE COMPANY.

29-SEP-82 10:34

PARTS LIST

SHEET A1 OF A2

LINE	ITEM	DOCUMENT NUMBER	PART NUMBER	DESCRIPTION	QTY PER VARIATION 00	REFERENCE DESIGNATOR
1	1	D-MD-5014706-0-0	5014706-00	ETCHED CIRCUIT BOARD	1	
2	2		1000016-00	100.0 MMF 100V 5% 200PPM	1	C8
3	3		1000021-00	220.0 MMF 100V 5% 200PPM	1	C7
4	4		1005306-00	6.8 MFD 35V 10% S. TANT	3	C1, C2, C3
5	5		1010274-01	.22 MFD 50V -20 +80 CER	10	C9 THRU C17, C4
6	6		1012784-00	.047 MFD 50V -20 +80 CER	35	C18 THRU C52
7	7		1100114-00	D664 GS/75 PCB PIV =25V	9	D4 THRU D12
8	8		1105796-00	IN 4004 PIV = 400 I = 1A	2	D1, D2
9	9		1109943-00	IN 4733A VZ = 5.1 5% 1W	1	D3
10	10		1209941-02	HEADER .100 40POS RT ANG	1	J2
11	11		1209941-03	HEADER RT ANG LEFT LATCH	1	J2
12	12		1209941-04	HEADER RT ANG RIGHT LATCH	1	J2
13	13		1211164-04	SW, DIP 1P 1A 8 POS	2	E24, E33
14	14		1213113-01	HANDLE MODULE	1	
15	15		1214063-00	HEADER .150 40 POS STRAIGHT	1	J3
16	16		1215006-06	SOCKET 24 PIN IC LOW PROFILE	5	J1, XE4, XE5, XE10, XE11
17	17		1215006-08	SOCKET 40 PIN IC LOW PROFILE	1	XE34
18	18		1300316-00	470.0 .25W 5.0% CC	2	R1, R2
19	19		1300365-00	1.0K .25W 5.0% CC	21	R3, R15, R16, R19, R23, R28 THRU R40, R63, R64, R65
20					9	R4 THRU R12
21	20		1300447-00	4.7K .25W 5.0% CC	1	R14
22	21		1300479-00	10.0K .25W 5.0% CC	1	R20
23	22		1301322-00	180.0 .25W 5.0% CC	1	R41 THRU R56, R57, R58, R59, R60
24	23		1301808-00	22.0K .25W 5.0% CC	20	R21, R27
25	24		1302602-00	56.0 .25W 5.0% CC	2	R24
26	25		1302685-00	909.0 .25W 1.0% RN55D-F100 PPM	1	R22, R26
27	26		1303038-0J	133.0 .25W 1.0% RN55D-F100 PPM	2	R25
28	27		1305121-00	38.30 .25W 1.0% RN55D-F100 PPM	1	R17, R18
29	28		1316334-00	R NETWORK 9-2K 2.0% 10 PIN SIP	2	R61, R62
30	29		1316395-00	R NETWORK 9-4.7K 2.0% 10 PIN SIP	2	

REVISION HISTORY		BASIC PART NO: 5414707		DRN: C. ROLINSON	DATE: 15-JUN-82	D I G I T A L		
ENG:	ECO HISTORY	REV	SECTION A OF A	CHK'D: D. KNOX	DATE: 15-JUN-82	TITLE PARTS LIST		
	INITIAL	C	SECTION VARIATION INDEX	DES ENG: R. STARKEY	DATE: 15-JUN-82	VT1XX-EB CONTROL BOARD		
			[A] 00	RESP. ENG.: R. STARKEY	DATE: 15-JUN-82	DOCUMENT NUMBER		
			[B]	MFG. ENG.: A. WILLIAMS	DATE: 15-JUN-82	SIZE: K	CODE: PL	NUMBER: 5414707-0-0
			[C]	ASSEMBLY NUMBER: D-UA-5414707-0-0	TOP DOCUMENT NUMBER: 8-DD-5414707-0	FILE NAME: KPL5414707	REV: C	EDIT #: 5
			[D]					
			[E]					
			[F]					
			[H]					
			[J]					
			[K]					
			[L]					
			[M]					
			[N]					

"THIS DRAWING AND SPECIFICATIONS HEREIN, ARE THE PROPERTY OF DIGITAL EQUIPMENT CORPORATION AND SHALL NOT BE REPRODUCED OR COPIED OR USED IN WHOLE OR PART AS THE BASIS FOR THE MANUFACTURE OR SALE OF ITEMS WITHOUT WRITTEN PERMISSION. COPYRIGHT (C) 1982. DIGITAL EQUIPMENT CORPORATION"

QTY PER VARIATION REFERENCE DESIGNATOR

PARTS LIST

DESCRIPTION

PART NUMBER

LINE ITEM DOCUMENT NUMBER

LINE ITEM	DOCUMENT NUMBER	PART NUMBER	DESCRIPTION	QTY PER VARIATION	REFERENCE DESIGNATOR
31		1618437-00	BEAD FERRITE 236 OD X .394 LG	1	L1
32		1811660-02	OSCILLATOR, XTAL 5.068 MHZ	1	E63
33		1812396-05	XTAL 6.144 MHZ	1	Y1
34		1910268-00	DEC 751078 RECEIVER LINE DUAL	1	E39
35		1912796-00	74148 ENCODER, PRIORITY, 8103	1	E32
36		1912799-00	74LS00 NAND GATE QUAD 2INPUT	2	E14, E47
37		1912803-00	74LS04 INVERTER GATE HEX 1 IN	1	E36
38		1912804-00	74LS05 INVERTER GATE HEX 1 IN	1	E35
39		1912805-00	74LS08 AND GATE QUAD 2 IN	2	E20, E60
40		1912808-00	74LS11 AND GATE TRIPLE 3IN	1	E61
41		1912811-00	74LS21 AND GATE DUAL 4IN	1	E40
42		1912816-00	74LS32 OR GATE QUAD 2IN	1	E24
43		1912817-00	74LS37 NAND GATE QUAD 2IN	1	E30
44		1912824-00	74LS74 FF-D DUAL EDGE TRIG	3	E19, E62, E34
45		1912842-00	74LS138 DECODER 3IN	1	E46
46		1912843-00	74LS139 DECODER 2OF 4 DUAL	1	E45
47		1912847-00	74LS157 MUX 1 OF 2 QUAD	4	E44, E31, E2, E7
48		1912863-00	74LS273 FF-D OCTAL W/CLEAR	2	E53, E74
49		1914213-00	81LS97 BUFFER GATE OCTAL 2IN	4	E13, E29, E72, E73
50		1915219-00	74LS373 FF-D OCTAL TRANSPAR	2	E21, E31
51		1915415-00	9636 DRIVER DUAL EIA RS-423	4	E42, E59, E58, E70
52		1915416-00	9637 RECEIVER DUAL RS-422/3	8	E43, E49, E30, E56, E59, E64, E65, E71
53		1914750-00	3242 MUX ADDRESS & COUNTER 16K	1	E5
54		1916079-00	8253-5 TIMER PROGRAMMABLE	1	E5
55		1920433-01	8286 BUS TRANSCEIVER	1	E41
56		1920545-01	8273-4 HDLC CONTROLLER	2	E11, E17
57		2113825-01	DEC 3341-2 64X4 FIFO MEMORY	3	E66, E67, E68
58		2113825-01	64K MOS RAM 200NS 16 PIN DYNAMIC	8	E1, E6, E8, E12, E16, E18, E22, E28
59		2113894-02	8295A-5 PROGRAMMABLE INTERFACE	1	E37
60		2114963-00	UP, 8BIT NMOS	1	XE32
61		2115103-00	RECEIVER PCI	4	E38, E48, E37, E69
62		2120070-01	8237-5 DMA CONTROLLER	1	E27
63		23005E3-00	EPR0M 0	1	XE10
64		23006E3-00	EPR0M 1	1	XE4
65		23007E3-00	EPR0M 2	1	XE9
66		23008E3-00	EPR0M 3	1	XE3
67		23312A1-00	PROM A	1	E26
68		23313A1-00	PROM B	1	E19
69		7422165-00	LOCK PCB EXTRACTOR	1	
70		9000024-01	EYELET, ROLLED FLANGE .21 OD	3	M1, M3, M5
71		9009185-00	JUMPER WIRE INSULATED	3	
72		9006002-01	SCREW, PAN, PHIL, 2-56X5/16	2	
73		9006555-00	NUT, HEX, 2-56 X 3/16 AFK 1	2	
74		9006631-00	WASHER LOCK INT 1FOO OD X .096	2	
75		9107560-01	WIRE BUSS, 22AWG	6	INCHES

REV	SIZE	CODE	DOCUMENT NUMBER	TITLE	SECTION A OF A	PL	PL	PL
C			5414707-0-0	VT1XX-EB CONTROL MODULE				