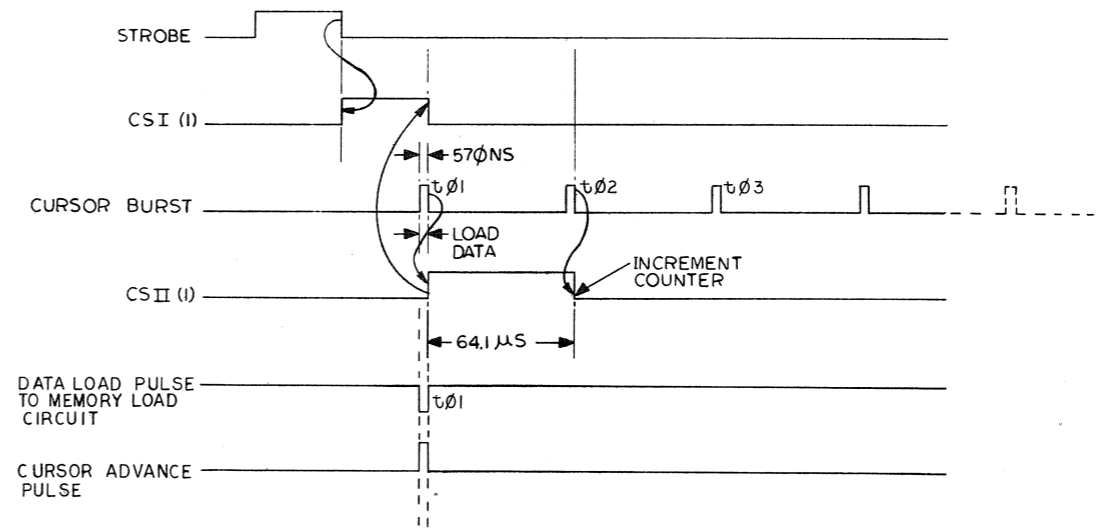
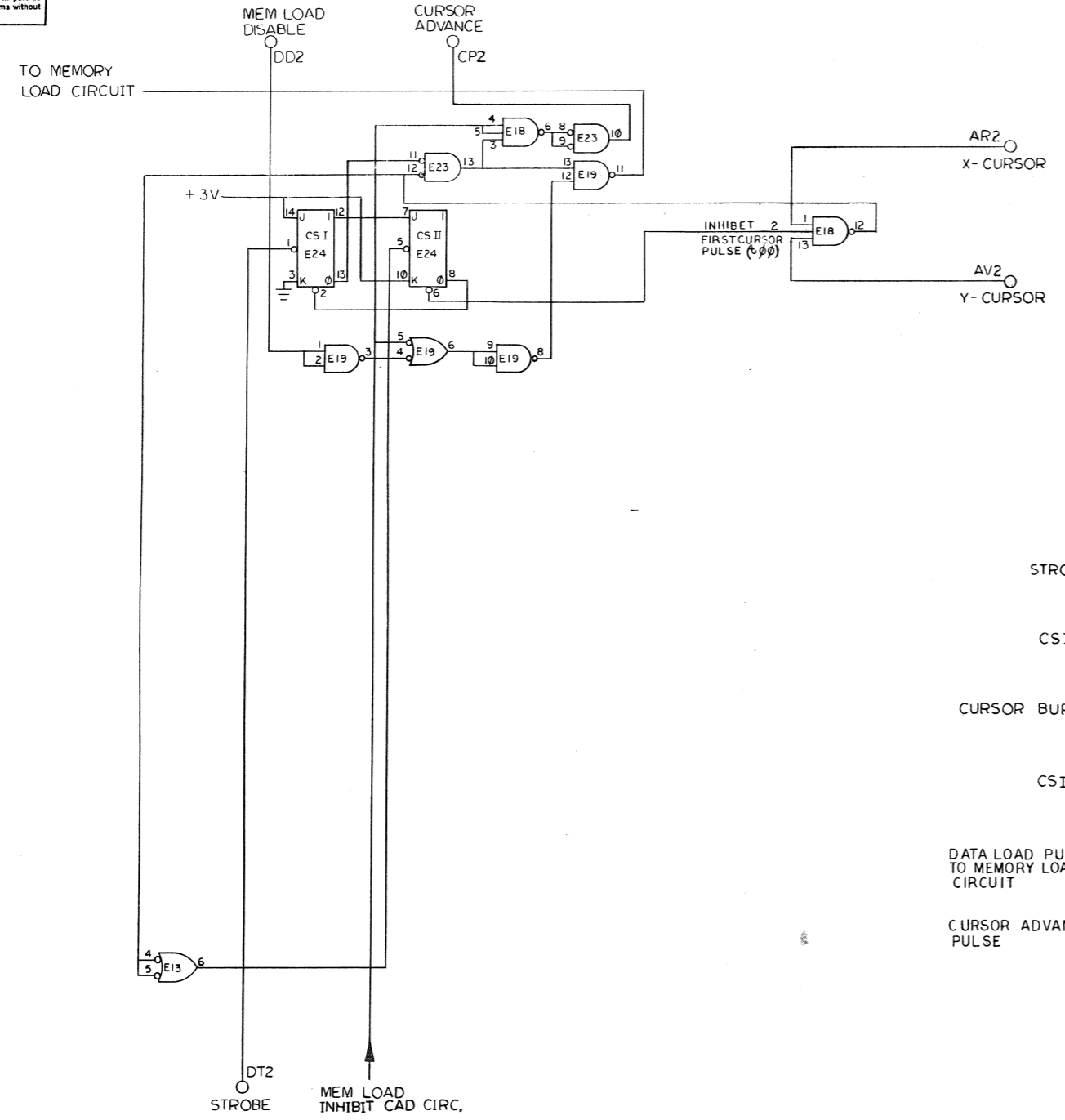


This drawing and specifications, herein, are the property of Digital Equipment Corporation and shall not be reproduced or copied or used in whole or in part as the basis for the manufacture or sale of items without written permission.



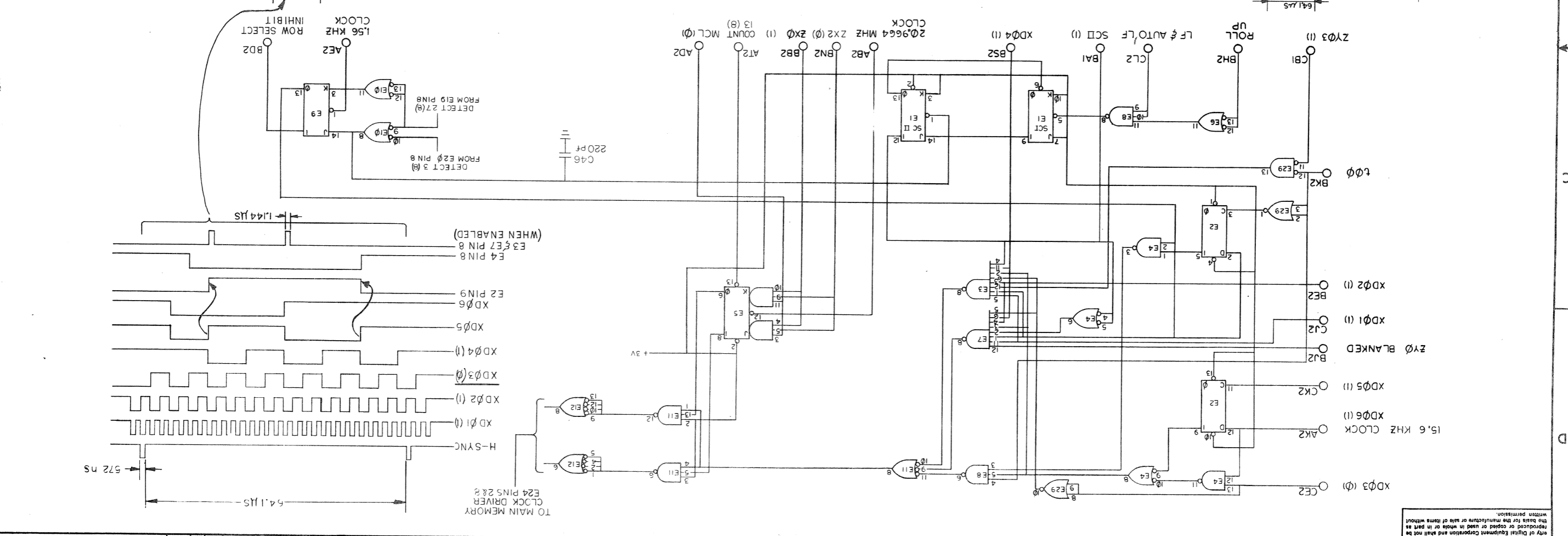
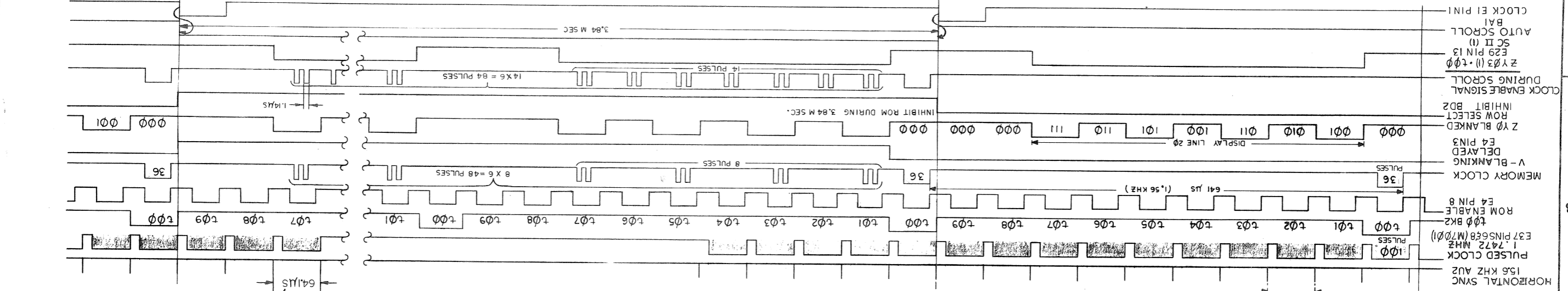
REV.	CHANGE NO.	DATE
1	VT05-00056	7-22-72
2		7-24-72

REVISIONS
CHK: P
ENG: R
PROJ: R
DATE: 7-24-72

FIRST USED ON OPTION / MODEL	QTY.	DESCRIPTION	PART NO.	ITEM NO.
VT05				
PARTS LIST				
UNLESS OTHERWISE SPECIFIED		DRN: <i>[Signature]</i>	DATE: 11/2/71	<p>digital EQUIPMENT CORPORATION MAYNARD, MASSACHUSETTS</p>
DIMENSION IN INCHES		CHKD: <i>[Signature]</i>	DATE: 8/14/71	
TOLERANCES		ENG: <i>[Signature]</i>	DATE: 6/16/71	
DECIMALS FRACTIONS ANGLES		PROJ. ENG: <i>[Signature]</i>	DATE: 6/16/71	
MATERIAL		PROJ. ENGR: <i>[Signature]</i>	DATE: 11/2/71	<p>CURSOR SYNCHRONIZER (M-7001)</p>
FINISH		NEXT HIGHER ASSY		
		A-ML-VT05-0	SCALE: 1:1	REV. A
		SHEET 1 OF 1	DIST. DTD	NUMBER VT05-0-17

REV	CHG	NO.	BY	DATE
A	00071	VT05	R. PUCCI	10-21-72

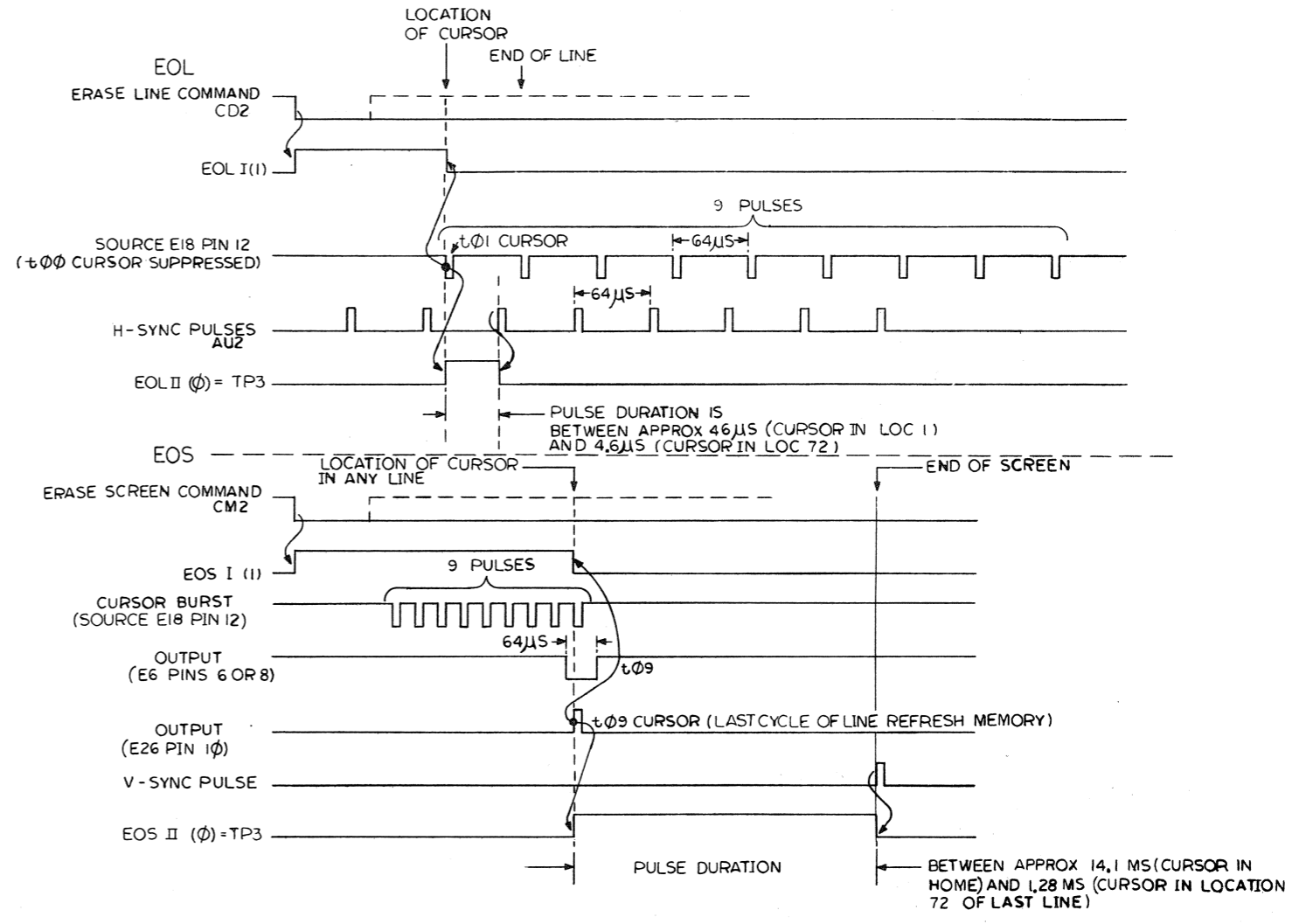
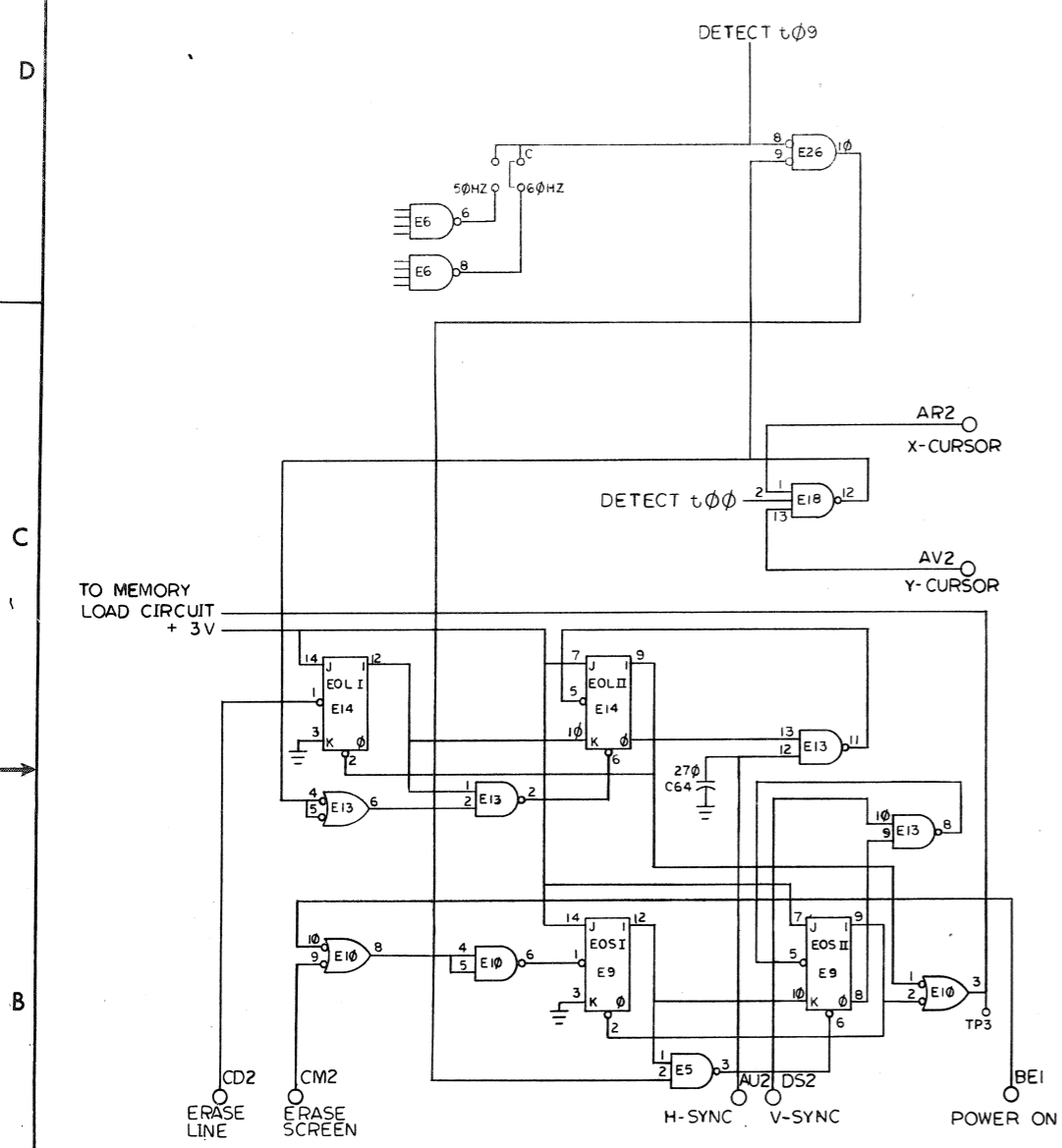
REVISIONS CHG NO. 00071 REV A R. PUCCI 10-21-72	FINISH MATERIAL A-ML-VT05-0 NEXT HIGHER ASSY DATE 12/17/71 PROD. DATE 12/17/71 DATE 12/17/71 DATE 12/17/71 DATE 12/17/71 DATE 12/17/71	SCALE SHEET 1 OF 1 DIST.	SIZE CODE NUMBER VT05-0-18 REV. A (M-7002)
--	--	---------------------------------------	---



This drawing and specifications, herein, are the property of Digital Equipment Corporation and shall not be reproduced or used in whole or in part as a basis for the manufacture or sale of items without written permission.

SIZE CODE NUMBER 81-0-501V REV. A	FINISH MATERIAL A-ML-VT05-0 NEXT HIGHER ASSY DATE 12/17/71 PROD. DATE 12/17/71 DATE 12/17/71 DATE 12/17/71 DATE 12/17/71	SCALE SHEET 1 OF 1 DIST.	SIZE CODE NUMBER VT05-0-18 REV. A (M-7002)
---	---	---------------------------------------	---

This drawing and specifications, herein, are the property of Digital Equipment Corporation and shall not be reproduced or copied or used in whole or in part as the basis for the manufacture or sale of items without written permission.



REVISIONS	REV.
CHANGE NO.	
CHK	

FIRST USED ON OPTION/MODEL VT05	QTY.	DESCRIPTION	PART NO.	ITEM NO.
UNLESS OTHERWISE SPECIFIED	PARTS LIST			
DRAWN: [Signature]	DATE: 11/24/70	digital CORPORATION MAYNARD, MASSACHUSETTS		
CHG'D: [Signature]	DATE: 5/19/71	TITLE		
ENG: [Signature]	DATE: 6/1/71	ERASE SCREEN & ERASE LINE CIRCUIT		
PROJ. ENG: [Signature]	DATE: 6/16/71	NUMBER (M-7001)		
PROD: [Signature]	DATE: 10/1/71	SCALE		
MATERIAL: ---	NEXT HIGHER ASSY		D.T.D. VT05-0-19	
FINISH: ---	A-ML-VT05-0		SHEET 1 OF 1	

REV. 1970
ITEM NO. VT05-0-19

This drawing and specifications, herein, are the property of Digital Equipment Corporation and shall not be reproduced or copied or used in whole or in part as the basis for the manufacture or sale of items without written permission.

DIGITAL EQUIPMENT CORPORATION MAYNARD MASSACHUSETTS		PACKAGING INSTRUCTION		TITLE VT05 DISPLAY	
REV: A		REV: B		DATE: 6-21-71	
DATE: 1-18-72		DATE: 1-18-72		DATE: 6-21-71	

Quantity	Identification No.	Specification No.	Description
1	1-3610 2412 1712-0	9905090	Outer Carton
1	1-3202 2002 1210-0	9905091	Inner Carton
1	3-3106 1904 1200-0	9905089	Inner Sleeve
8	TPC 320-70-PS	9905044-1	Toro Pad Blue/White
1	P400-3000 0000 4200-0	9905129-36	Poly Bag 30 x 42 x 4 mil
1	P400-1200 0000 2400-0	9905129-32	Poly Bag 12 x 24 x 4 mil

Step	Procedure
1	Set up and tape the inner box (1-3202 2002 1210-0) using 3-inch wide Glasflex tape.
2	Insert the VT05 Display, which is attached to a plywood base, into the poly bag (P400-3000 0000 4200-0) and seal with tape (Figure 1).
3	Set the VT05 in the inner box.
4	Place accessories and software in the poly bag (P400-1200 0000 2400-0) and tape it to the inside of the inner sleeve as shown in Figure 1. Use nylon filament tape.
5	Place the inner sleeve, with poly bag attached, over the VR05.
6	Close and seal the inner carton using 3-inch wide Glasflex tape.
7	Place four Toro pads (blue/white) in each of the bottom four corners of the outer box.
8	Insert the inner carton into the outer carton with the inner carton resting on the four Toro pads (Figure 2).
9	Place four Toro pads on the top four corners of the inner carton.
10	Close and seal the outer carton using 3-inch wide Glasflex tape.

ENG J.W. Lawrence	APPD J.W. Lawrence	SIZE A	CODE H	NUMBER 3700043-0-0
--------------------------	---------------------------	---------------	---------------	---------------------------

SHEET 1 OF 3

PACKAGING INSTRUCTION				
TITLE VT05 DISPLAY				
REV: A		REV: B		
DATE: 6-21-71		DATE: 1-18-72		

ENG. R.E. Adams 11/14/72	APPD. R.E. Adams 11/14/72	SIZE A	CODE PI	NUMBER 3700043-0-0
---------------------------------	----------------------------------	---------------	----------------	---------------------------

SHEET 2 OF 3

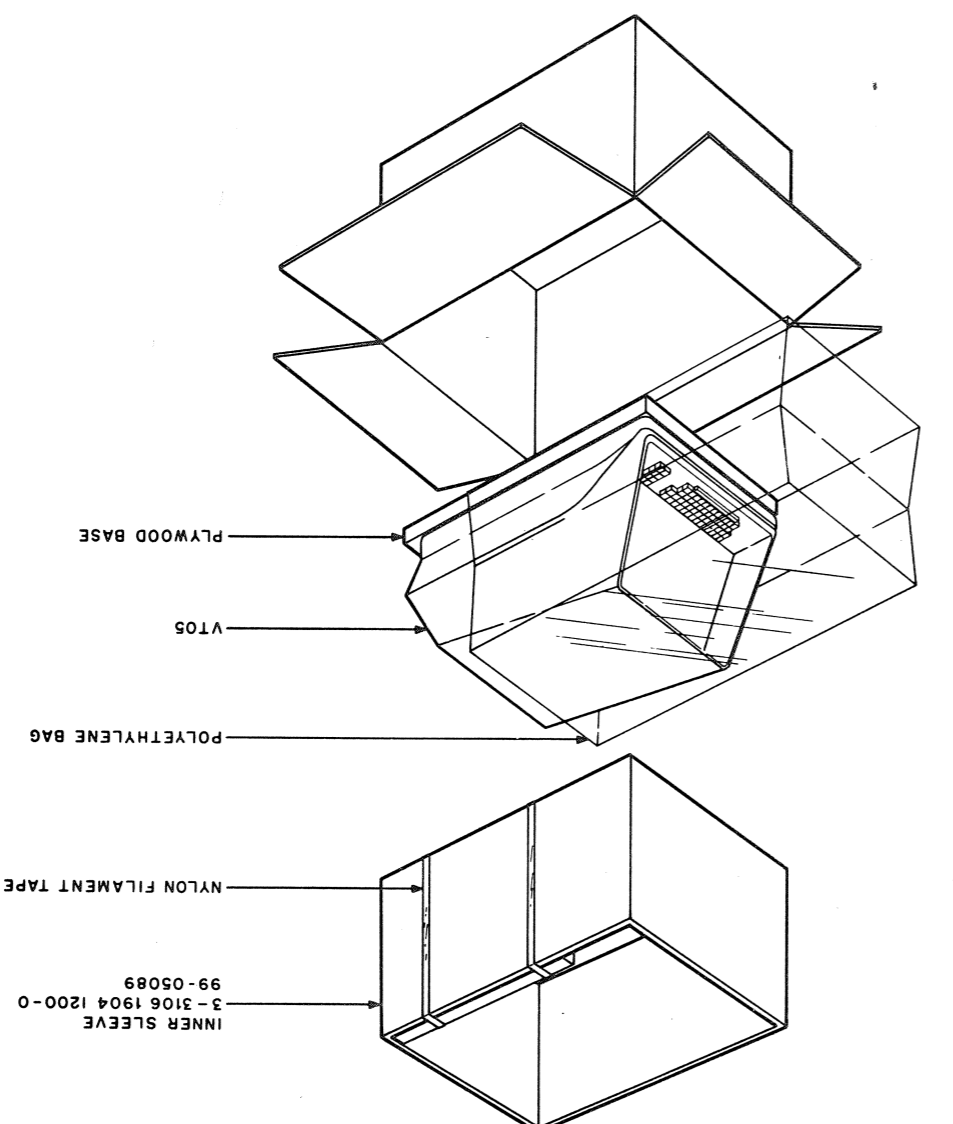


FIGURE 1

NOTE

Make changes to the "C" size original only and rephotograph.

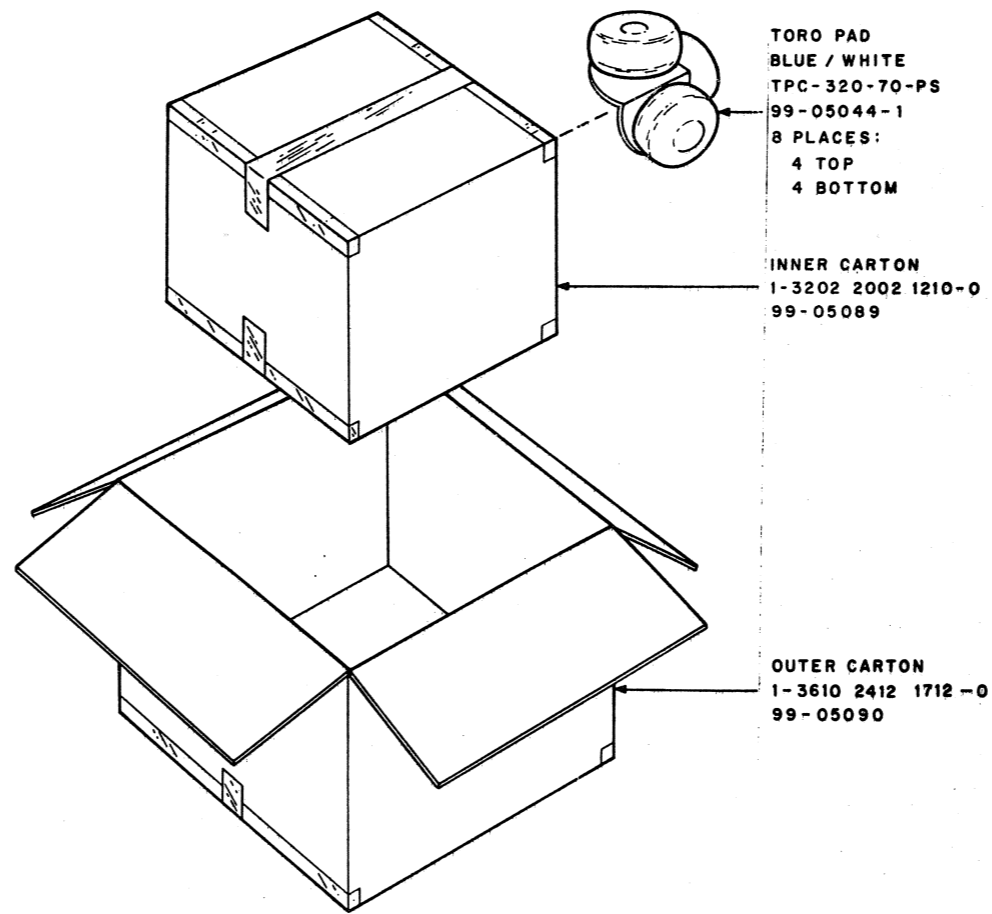
This drawing and specifications, herein, are the property of Digital Equipment Corporation and shall not be reproduced or copied or used in whole or in part as the basis for the manufacture or sale of items without written permission.

PACKAGING INSTRUCTION

REV: A DATE: 6-21-71
 B 1-18-72

TITLE VT05 DISPLAY

FIG. 2



NOTE
MAKE CHANGES TO THE "C" SIZE ORIGINAL ONLY AND REPHOTOGRAPH.

ENG. *J. W. Lawrence*

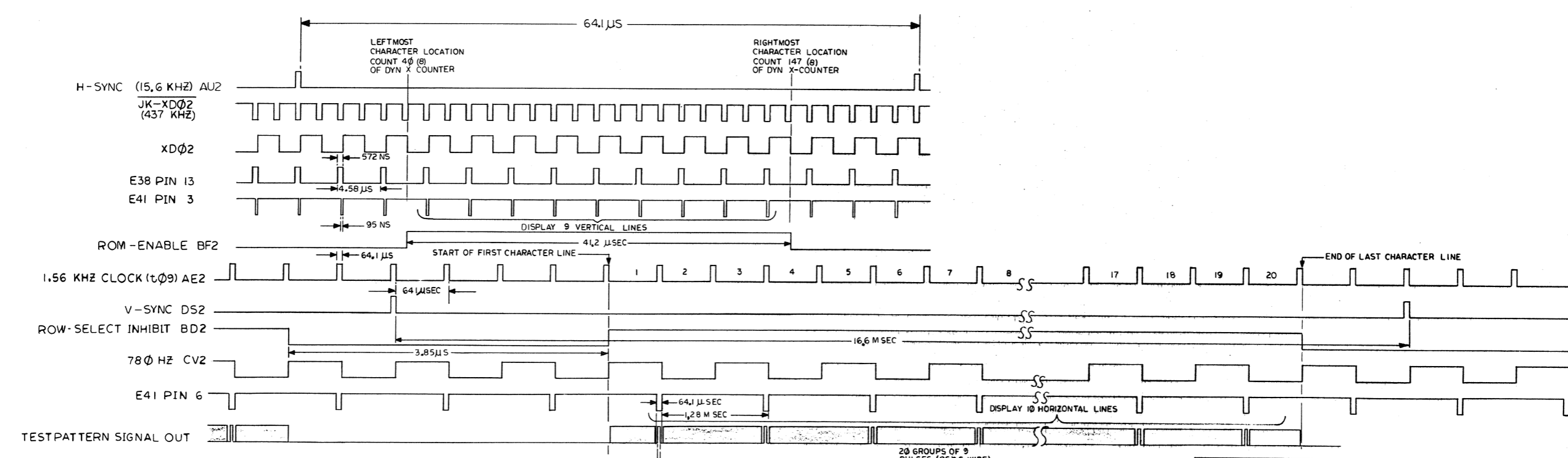
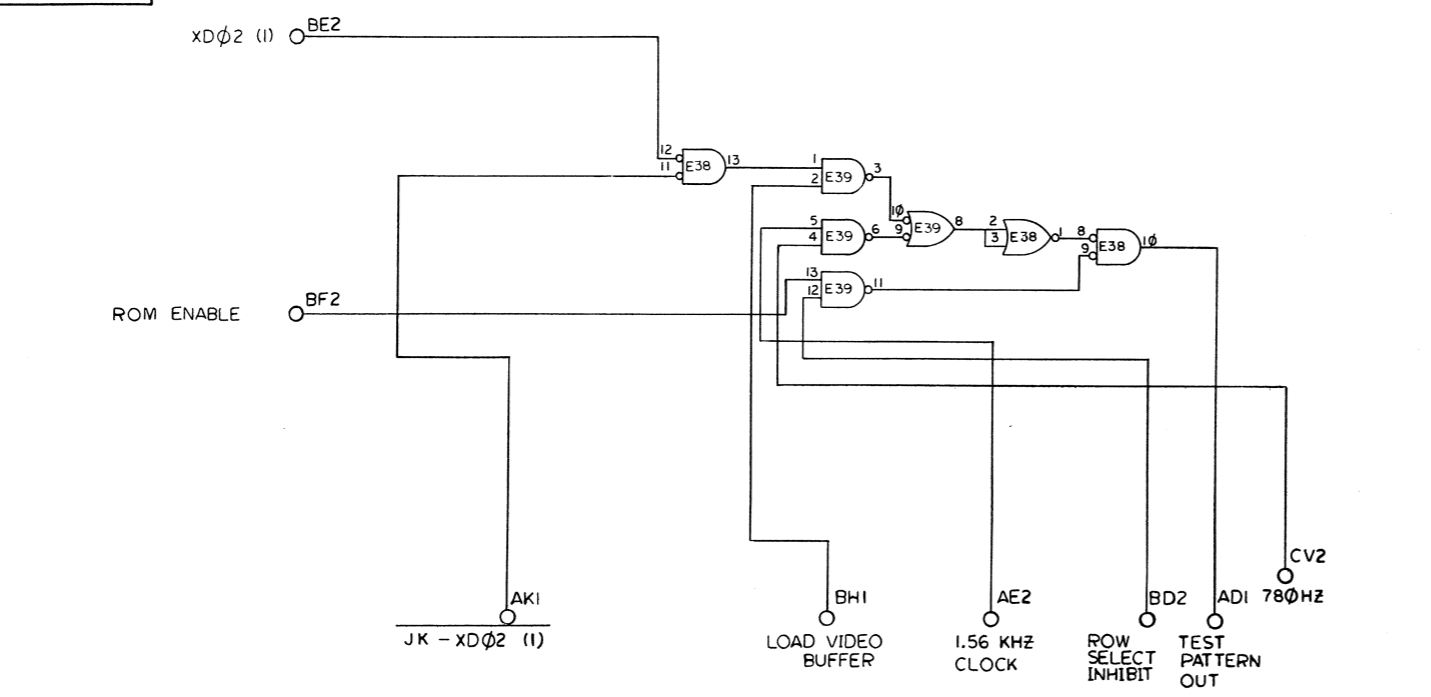
APPD. *J. W. Lawrence 5-5-71*

SIZE	CODE	NUMBER
A	PI	3700043-0-0

DRC-108

This drawing and specifications, herein, are the property of Digital Equipment Corporation and shall not be reproduced or copied or used in whole or in part as the basis for the manufacture or sale of items without written permission.

8 7 6 5 4 3 2 1



REV.	CHANGE NO.	DATE
A	VT05-00071	9-21-71

REVISIONS

CHK: P. J. ...

DESIGNED BY: R. PUCCI

APPROVED BY: R. PUCCI

FIRST USED ON OPTION/MODEL	QTY.	DESCRIPTION	PART NO.	ITEM NO.
VT05				
UNLESS OTHERWISE SPECIFIED				
DIMENSION IN INCHES				
TOLERANCES				
DECIMALS	FRACTIONS	ANGLES		
± .005	± 1/64	± 0°30'		
FINAL SURFACE QUALITY				
REMOVE BURRS AND BREAK SHARP CORNERS				
MATERIAL	NEXT HIGHER ASSY			
FINISH	A-ML-VT05-0			
SCALE	D/TD			
SHEET	OF	DIST.	NUMBER	REV.
1	1		VT05-0-21	A

digital EQUIPMENT CORPORATION
MAYNARD, MASSACHUSETTS

TITLE: TESTPATTERN GENERATOR (M-7002)

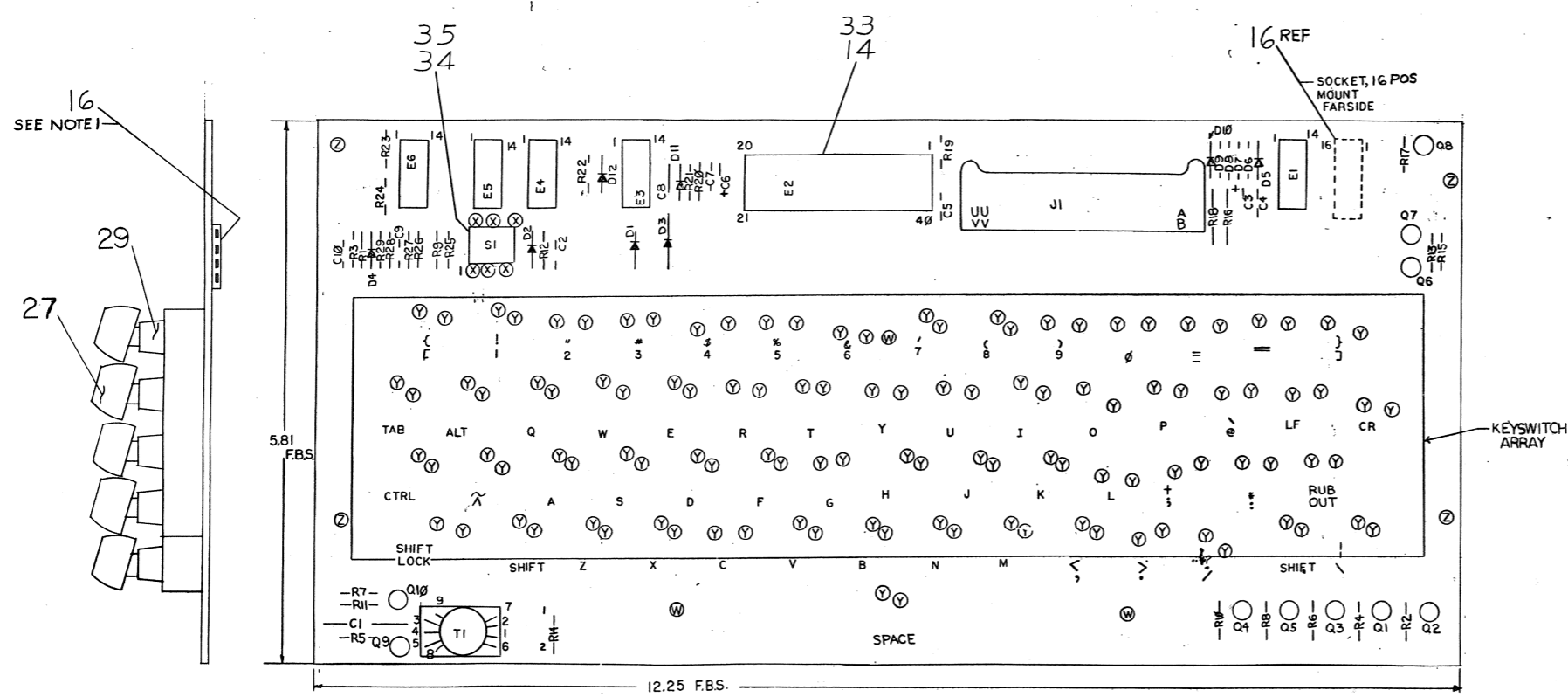
VT05-0-21

8 7 6 5 4 3 2 1

This drawing and specifications herein, are the property of Digital Equipment Corporation and shall not be reproduced or copied or used in whole or in part as the basis for the manufacture or sale of items without written permission.

COPYRIGHT © 1973 DIGITAL EQUIPMENT CORPORATION

NOTES:
 1. FOR REFERENCE INFO REFER TO DWG NO. D-CS-5410613-0-1. (CURSOR BOARD)



16 SEE NOTE 1

16 REF SOCKET, 16 POS MOUNT FAR SIDE

KEYSWITCH ARRAY

IC TYPE	GND	+5V
GND AND 5V ARE USUALLY PIN 7 AND 14 RESPECTIVELY EXCEPTIONS ARE STATED ABOVE		
IC PIN LOCATIONS		

REF	DESCRIPTION	PART NO.	ITEM NO.
REF	ASSY/DRILLING HOLE LAYOUT	D-AH-5410541-0-5	
REF	X-Y COORDINATE HOLE LOCATION	K-CO-5410541-B-4	
REF	MODULE ECO HISTORY	B-MH-5410541-B-6	
1	ETCHED CIRCUIT BOARD	5010540-B-B	1
1	TRANSFORMER ASSY	CAD-7009492-0-0	2
1	CAP, .01 UF, 50V 20% CER, AXIAL	1001610-B-B	3
1	CAP .068 UF 100V 10% MYLAR	1000852-B-B	4
1	CAP 10UF 25V TANT	1010806-2-B-B	5
1	CAP .001UF 2.50V 20% DISC	1000843-B-B	6
1	CAP 3300 PF 100 V 5% MICA	1002423-0-0	7
1	CAP 220PF 100V 5% DM	1000821-B-B	8
3	CAP .033UF 25V CERAM	1010873-B-B	9
1	CAP 1 UF 25V TANT	1010866-1-B	10
11	D1 D2 D4 - D12	DIODE D664	11
1	D3	DIODE, 1W75A ZENER 12V 5%	1110836-B-B
1	S1	SWITCH MIN SLIDE DPST "5591 STACK POLE	1210919-B-B
1		SOCKET, 1C 40 PIN (FOR ROM)	1210947-B-B
1	J1	CONN 40 PIN RIGHT ANGLE HEADER	1209941-B-B
1		SOCKET IC 16 POS SOLDER TAIL	1210825-B-B
2	R5 R7	RES 1K 1/4W 5%	1300365-B-B
6	R14 R12 R29 R3 R24 R21	RES 330 OHM 1/4W 5%	1300295-B-B
1	R11	RES 10 OHM 1/4W 5%	1301317-B-B
4	R28 R1 R25 R23	RES 3.3K 1/4W 5%	1300439-B-B
2	R18 R16	RES 2 OHM 1/4W 5%	1309421-0-0
1	R20	RES 680K 1/4W 5%	1310867-B-B
3	R19 R2 R4 R6 R8 R10 R13 R15 R17	RES 100K 1/4W 5%	1302466-B-B
1	R22	RES 4.7K 1/4W 5%	1300447-B-B
3	R26 R27 R9	RES 68K 1/4W 5%	1301327-B-B
1		SHIFT LOCK ASSY LED KEY CAP	D-AD-7009502-0-0
1		KEY CAPS (COMPLETE SET)	D-PS-9009535-57-0
10	Q1, Q2, Q3, Q4, Q5, Q6, Q7, Q8, Q9, Q10	TRANSISTOR DEC 3009B NPN	1503100-B-B
1		KEY SWITCH ARRAY	A-PS-3011445-0-0
2	E3 E6	IC DEC 7408	1910155-B-B
1	E4	IC DEC 7400	1905575-B-B
2	E1 E5	IC DEC 7404	1909686-B-B
1	E2	READ-ONLY MEMORY CHIP KEYBOARD ENCODER	2111047-B-B
1		PHENOLIC SWITCH SELECTOR	B-MD-7409532-0-0
2		SELF TAP PHL HD SCREW #4-40X 3/16	9009159

QTY	REF DESIGNATION	DESCRIPTION	PART NO.	ITEM NO.
	LK01-R	ETCH BOARD REV	C D	

FIRST USED ON OPTION MODEL		PARTS LIST	
L K 0 1 - R		ETCH BOARD REV C D	
DRN. <i>P. Nelson</i>	DATE 7-9-73	 digital EQUIPMENT CORPORATION MAYNARD, MASSACHUSETTS	
CHK'D <i>P. Nelson</i>	DATE 25 Jul 73		
ENG. <i>Paul E. Nelson</i>	DATE 7-26-73		
PROJ. ENG. <i>Paul E. Nelson</i>	DATE 7-26-73		
PROD. <i>Paul E. Nelson</i>	DATE 7-26-73		
NEXT HIGHER ASSY		TITLE	
B-DD-LK01-R		MAIN KEYBOARD (LK01-R)	
DEC NO.	EIA NO.	DEC NO.	EIA NO.
SEMICONDUCTOR CONVERSION CHART		SCALE NONE	
		SHEET 1 OF 2	

BRUNING 40-522 16699

DEC FORM NO. DRD-135A

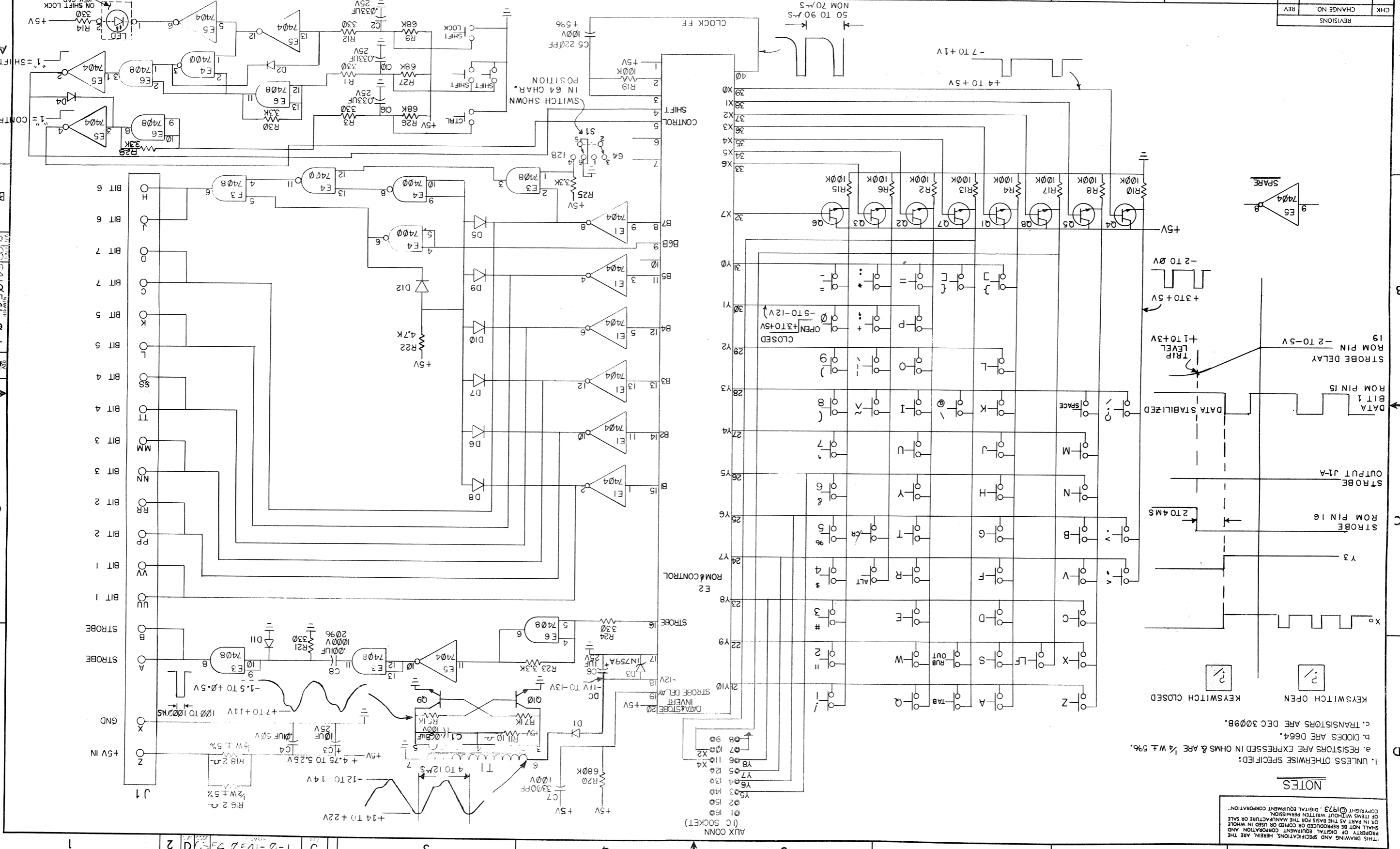
REV. C
 NUMBER
 CS 5410541-0-1

THIS DRAWING AND SPECIFICATIONS, HEREIN, ARE THE PROPERTY OF DIGITAL EQUIPMENT CORPORATION AND SHALL NOT BE REPRODUCED OR COPIED IN WHOLE OR IN PART WITHOUT WRITTEN PERMISSION.
 COPYRIGHT © 1973, DIGITAL EQUIPMENT CORPORATION.

NOTES

- 1. UNLESS OTHERWISE SPECIFIED:
 - a. RESISTORS ARE EXPRESSED IN OHMS & ARE 1/4 W. 5%.
 - b. DIODES ARE 0664.
 - c. TRANSISTORS ARE DEC 3009B.

REV.	CHANGE NO.	REV.



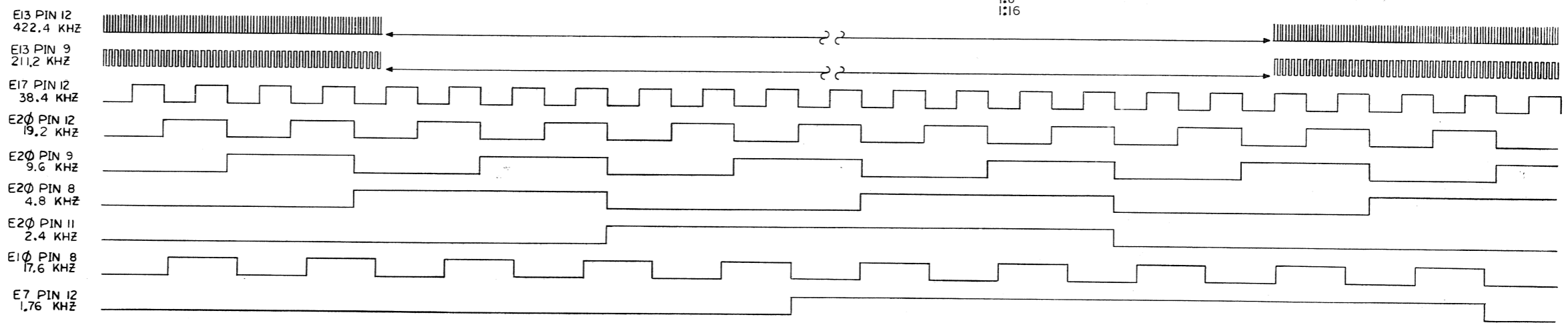
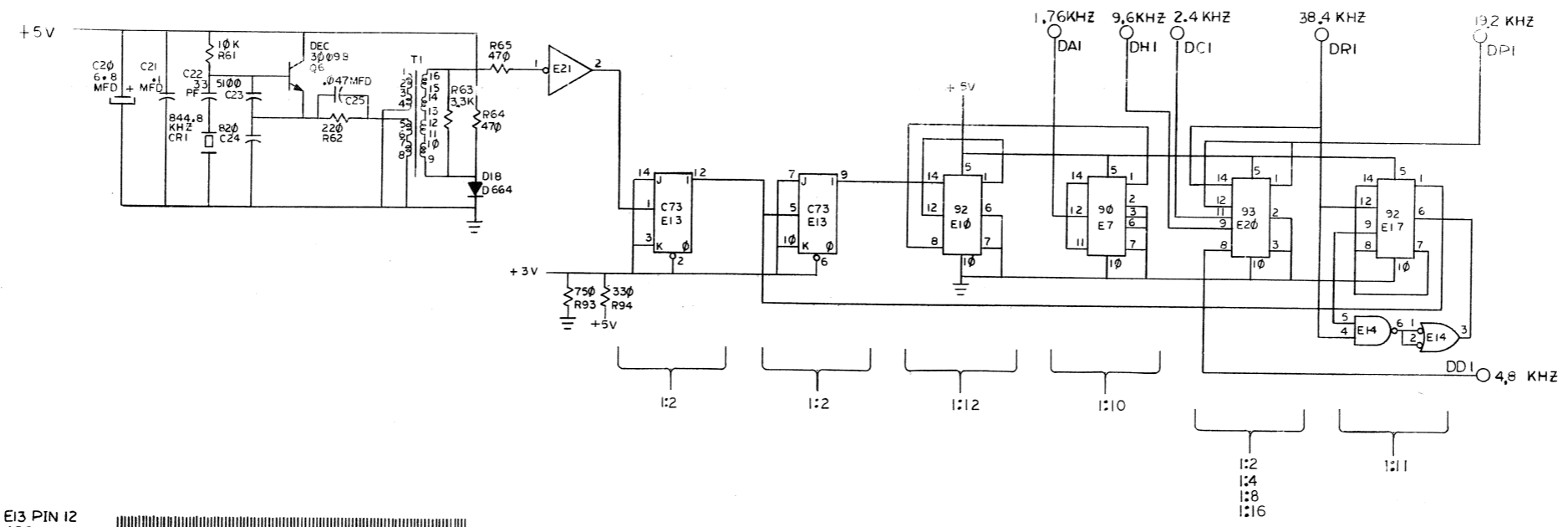
D55410541-0-1

C

D

This drawing and specifications, herein, are the property of Digital Equipment Corporation and shall not be reproduced or copied or used in whole or in part as the basis for the manufacture or sale of items without written permission.

VT05A-0-01

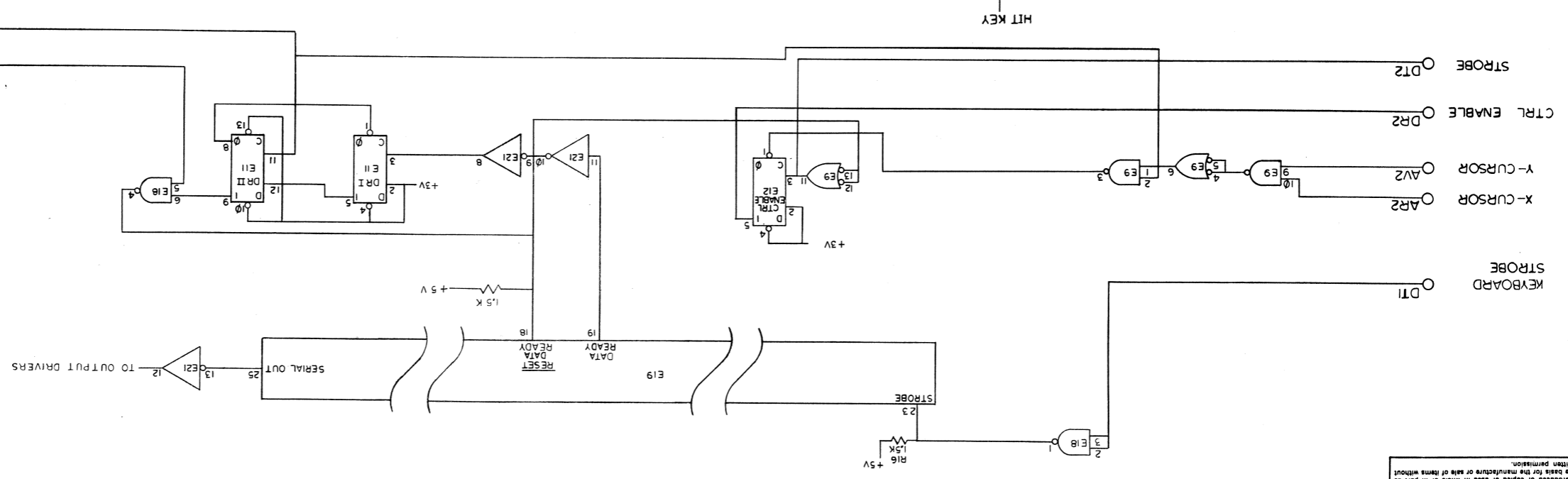
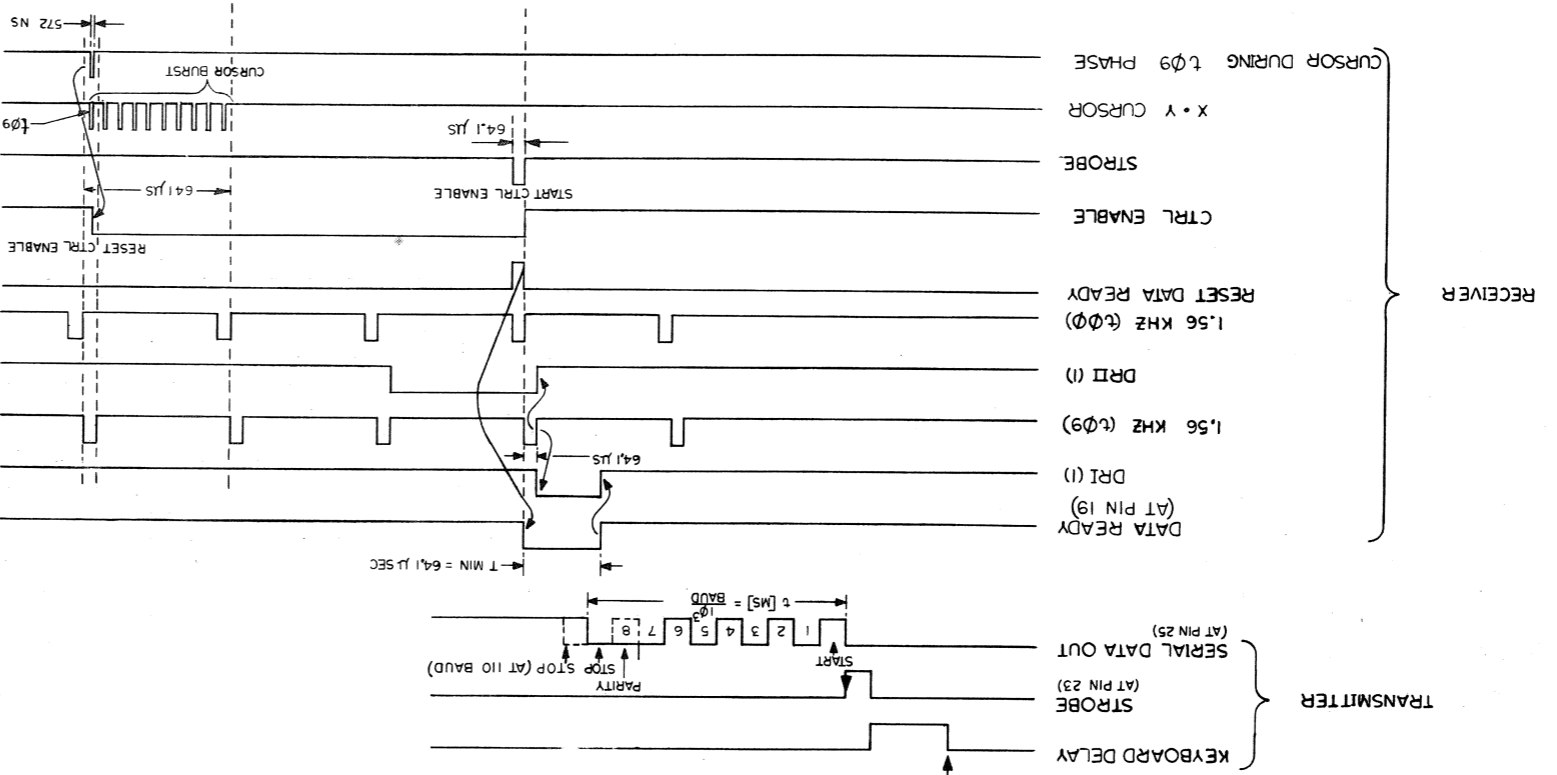


REV.	CHANGE NO.	CHK
B	VT05-00056	R
A	7-28-72	R. PUCCI

FIRST USED ON OPTION MODEL	QTY.	DESCRIPTION	PART NO.	ITEM NO.
VT05				
PARTS LIST				
UNLESS OTHERWISE SPECIFIED	DRN	DATE	digital EQUIPMENT CORPORATION MAYNARD, MASSACHUSETTS	
UNLESS OTHERWISE SPECIFIED	CHWD	DATE		
DIMENSION IN INCHES	ENG	DATE		
TOLERANCES	PROJ. ENG.	DATE		
DECIMALS FRACTIONS ANGLES	PROD	DATE		
± .005 ± 1/64 ± 0°30'			TITLE BAUD RATE GENERATOR (M-7003)	
MATERIAL	NEXT HIGHER ASSY		SIZE CODE	NUMBER
FINISH	SCALE		D/TD	VT05A-0-01
	SHEET	OF	DIST.	

REV. A
VT05A-0-01

REVISIONS	
CHG	CHANGE NO.
A	VT05-00056
A	7-22-72
	R. PUCCI
	7-28-72



FIRST USED ON OPTION/MODEL	
QTY.	DESCRIPTION
	VT05

PARTS LIST	
ITEM NO.	PART NO.

UNLESS OTHERWISE SPECIFIED	
DATE	BY
12/17/71	W. J. ...
1/14/72	...
6/15/71	...
6/17/71	...

TITLE	
DATE	BY
12/17/71	W. J. ...
1/14/72	...
6/15/71	...
6/17/71	...

MATERIAL	
DATE	BY
12/17/71	W. J. ...
1/14/72	...
6/15/71	...
6/17/71	...

NEXT HIGHER ASSY	
DATE	BY
12/17/71	W. J. ...
1/14/72	...
6/15/71	...
6/17/71	...

SIZE CODE	
DATE	BY
12/17/71	W. J. ...
1/14/72	...
6/15/71	...
6/17/71	...

RECEIVER TIMING	
DATE	BY
12/17/71	W. J. ...
1/14/72	...
6/15/71	...
6/17/71	...

TRANSMITTER & RECEIVER	
DATE	BY
12/17/71	W. J. ...
1/14/72	...
6/15/71	...
6/17/71	...

DIGITAL EQUIPMENT CORPORATION	
DATE	BY
12/17/71	W. J. ...
1/14/72	...
6/15/71	...
6/17/71	...

This drawing and specifications, herein, are the property of Digital Equipment Corporation and shall not be reproduced or copied or used in whole or in part as the basis for the manufacture or sale of items without written permission.

REV	NUMBER	DATE
2	20-A-571V	DTD

VT05A-0-02 A