

R. Tinga  
2/27/81

**VTO5 alphanumeric  
display terminal  
engineering drawings**

# MASTER DRAWING LIST

MAINTENANCE MANUALS		UNIT VARIATIONS																		
NO.	TITLE	VT05-0																		
VT05-0	ALPHA-NUMERIC TERMINAL																			

USED ON OPTIONS							

REVISIONS		CHG. NO.	APP'D.	DRN.	DATE	EQUIPMENT CORPORATION MAYNARD, MASSACHUSETTS			
REV.	DATE			CHK'D.	DATE				
				ENG.	DATE	SIZE	CODE	NUMBER	REV.
A	7/71	00028	<i>auc8</i>	J. MCHUGH	5/7/71	A	ML	VT05-0	Z
B	8/71	00031	<i>auc8</i>	<i>K. Cook</i>	6-3-71				
C	8/71	00034	<i>WCS</i>	<i>K. P. Miller</i>	6/3/71				
D	9/71	00036	<i>R.F.</i>	<i>V. P. Miller</i>	6/13/71				
E	9/71	00038	<i>R.P.</i>	<i>G. Brundage</i>	6/7/71				
F	11/71	00041	<i>R.P.</i>						
G	12/71	00046	<i>R.P.</i>						
H	2/72	00048	<i>M.H.</i>						
J	4/72	00050	<i>R.P.</i>						
K	7/72	00056	<i>R.P.</i>						
L	8/72	00057	<i>R.P.</i>						
M	9/72	00060	<i>N.H.</i>						
N	11/72	00061	<i>R.P.</i>						
P	12/72	00063	<i>R.P.</i>						
R	1/73	00064	<i>R.P.</i>						
S	1/73	00066	<i>E.C.</i>						
T	6/73	00070	<i>R.P./ec</i>						
U	9/73	00071	<i>R.P.</i>						
V	11/73	00072	<i>R.P.</i>						
W	12-73	00073	<i>R.P.</i>						
Y	3/74	00074	<i>R.P.</i>						
Z									
				SCALE	NONE				
				SHEET	1	OF	3		

PRINT SET				DWG. NO.	REV. LET.	NO. OF SHEETS	TITLE	OPTION NO.		
X				D-UA-VT05-0-0	R	3	ALPHA-NUMERIC TERMINAL			
X				A-PL-VT05-0-0	R	4	ALPHA-NUMERIC TERMINAL			
X				D-CS-H733-2-1	R	2	SCHEMATIC PWR SUPPLY			
X				D-DI-VT05-0-1		2	DRAWING INDEX LIST			
X				D-BD-VT05-0-25		1	VT05 BLOCK DIAGRAM			
X				E-CS-M7000-0-1	#	2	CURSOR CONTROL			
X				E-CS-M7001-0-1	#	2	CHARACTER GENERATOR & TIMING			
X				E-CS-M7002-0-1	#	2	MEMORY & MEMORY TIMING			
X				E-CS-M7003-0-1	#	2	INTERFACE (VT05A)			
X				D-CS-M7004-0-1	#	5	INTERFACE (VT05B)			
X										
X				D-TD-VT05-0-02		1	STATIC Y COUNTER (M7000)			
X				D-TD-VT05-0-03		1	DYNAMIC Y COUNTER (M7002)			
X				D-TD-VT05-0-04		1	CURSOR UP (M7000)			
X				D-TD-VT05-0-05		1	CURSOR DOWN OR LF (M7000)			
X				D-TD-VT05-0-06		1	STATIC X COUNTER (M7000)			
X				D-TD-VT05-0-07		1	DYNAMIC X COUNTER (M7000)			
X				D-TD-VT05-0-08		1	CURSOR TO RIGHT (M7000)			
X				D-TD-VT05-0-09		1	TAB LOGIC (M7000)			
X				D-TD-VT05-0-10		1	CURSOR TO LEFT (M7000)			
X				D-TD-VT05-0-11		1	CARRIAGE RETURN (M7000)			
X				D-TD-VT05-0-12		1	AUTOMATIC CR/LF (M7000)			
X				D-TD-VT05-0-13		1	HOME (M7000)			
X				D-TD-VT05-0-14		1	X & Y COMPARATOR (M7001)			
X				D-TD-VT05-0-15		1	ROW SELECT CIRCUIT (M7001)			
X				D-TD-VT05-0-16	B	1	CHARACTER LOCATION COUNTER (M7001)			
X				D-TD-VT05-0-17	A	1	CURSOR SYNCHRONIZER (M7001)			
X				D-TD-VT05-0-18	A	1	MAIN MEMORY TIMING (M7002)			
X				D-TD-VT05-0-19		1	ERASE SCREEN & ERASE LINE CRT (M7001)			
X				A-PI_3700043-0-0	B	3	VT05 DISPLAY PACKAGING INSTRUCTIONS			
TITLE				ALPHA NUMERIC TERMINAL			SHEET 2 OF 3	SIZE CODE A ML	NUMBER VT05-0	REV Z

DRA 132

PRINT SET				DWG. NO.	REV. LET.	NO. OF SHEETS	TITLE	OPTION NO.		
X				D-TD-VT05-0-20		1	BELL CIRCUIT (M7001)			
X				D-TD-VT05-0-21	A	1	TEST PATTERN GENERATOR (M7002)			
X				D-TD-VT05-0-22		1	CAD (M7001)			
X				D-CS-5410541-0-1	#	1	# 2 KEYBOARD SCHEMATIC			
X				D-CS-5410613-0-1	#	1	CURSOR BOARD			
X				D-TD-VT05A-0-01	A	1	BAUD RATE GENERATOR (M7003)			
X				D-TD-VT05A-0-02	A	1	RECEIVER TIMING (M7003)			
X				C-UA-VT05B-00-00	B	1	HIGH SPEED VT05			
X				A-PL-VT05B-00-00	B	1	HIGH SPEED VT05			
X				C-UA-VT05A-00-00	B	1	LOW SPEED VT05			
X				A-PL-VT05A-00-00	B	2	LOW SPEED VT05			
X				D-AD-5409945-0-0	#	3	KEYBOARD ASSY			
X				D-MU-VT05-0-23	A	1	VT05 BUSS ASSIGNMENTS			
X				A-SP-7665078-0-0		3	U.L. REQUIREMENTS FOR VT05			
X				D-IC-VT05-0-24	C	1	VT05 PWR & SIGNAL WIRING			
X				A-AI-VT05-0-30	H	1	ACCESSORY LIST			
X				A-SI-VT05-0-31	B	1	SOFTWARE LIST			
X				A-SP-VT05-0-26		2	ACCEPTANCE PROCEDURES (CUSTOMER)			
X				A-SP-VT05-0-27		22	PRODUCTION CHECKOUT PROCEDURES			
X				A-SP-VT05-0-28		9	ACCEPTANCE SPECIFICATIONS			
X				A-SP-VT05-0-29	A	37	ENGINEERING SPECIFICATIONS			
X				D-CS-H733-1-1	#	1	SCHEMATIC PWR. SUPPLY			
X				D-CS-H733-0-1	#	1	SCHEMATIC PWR SUPPLY			
X				D-CS-E020-0-1	#	1	SCHEMATIC BUS BOARD			
X				D-CS-3010326-0-3	#	2	SCHEMATIC VT05 RASTER DISPLAY			
X				D-CS-3010326-0-2	#	2	SCHEMATIC SCOPE			
X				D-CS-5409945-0-1	#	1	SCHEMATIC DEC KEYBOARD #2			
X				A-PL-5409945-0-0	#	3	PARTS LIST DEC KEYBOARD #2			
X				D-CS-3010166-0-1	#	1	SCHEMATIC DEC KEYBOARD #2 (PURCHASED)			
X				D-AD-7007232-0-0	#	1	POT ASSY			
X				A-PL-7007232-0-0	#	1	POT ASSY			
X				D-AD-5410224-0-0	#	2	CURSOR BOARD ASSY. (KEYBOARD)			
TITLE				ALPHA NUMERIC TERMINAL			SHEET 3 OF 3	SIZE CODE A ML	NUMBER VT05-0	REV Z

DRA 132

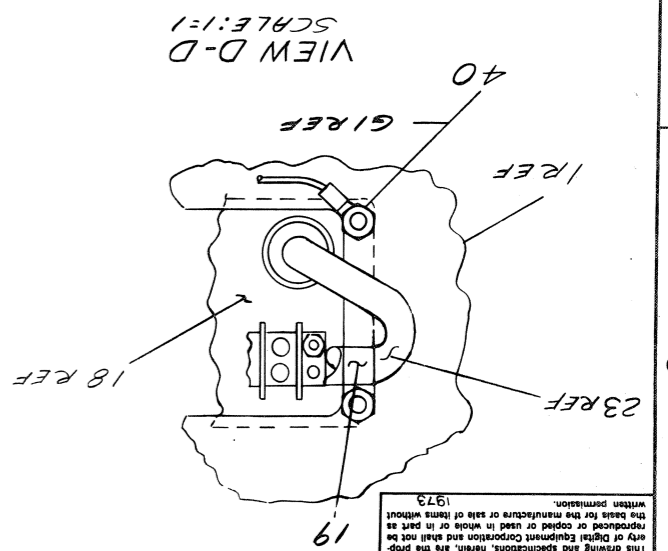
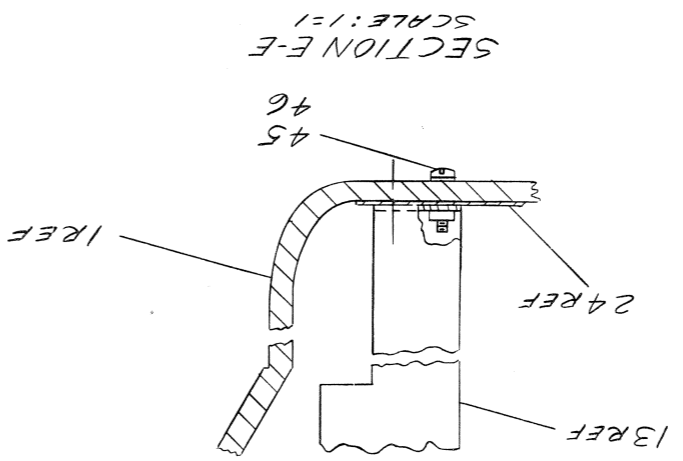
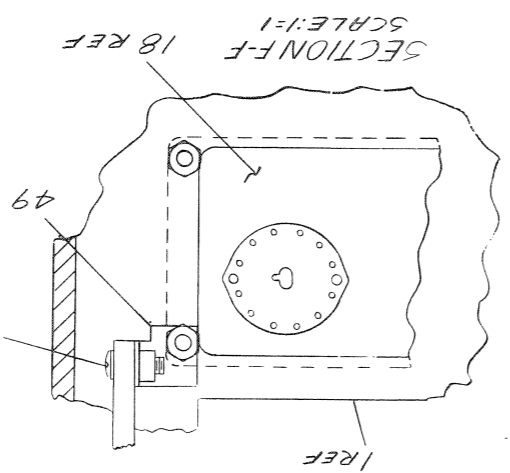
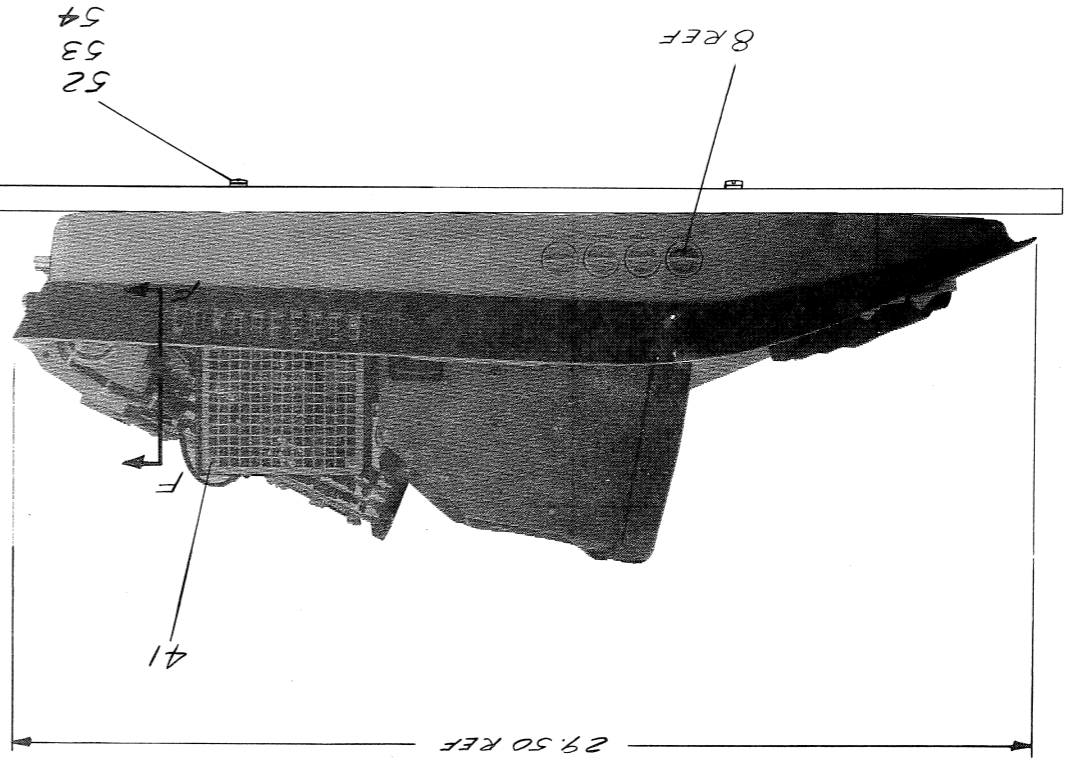
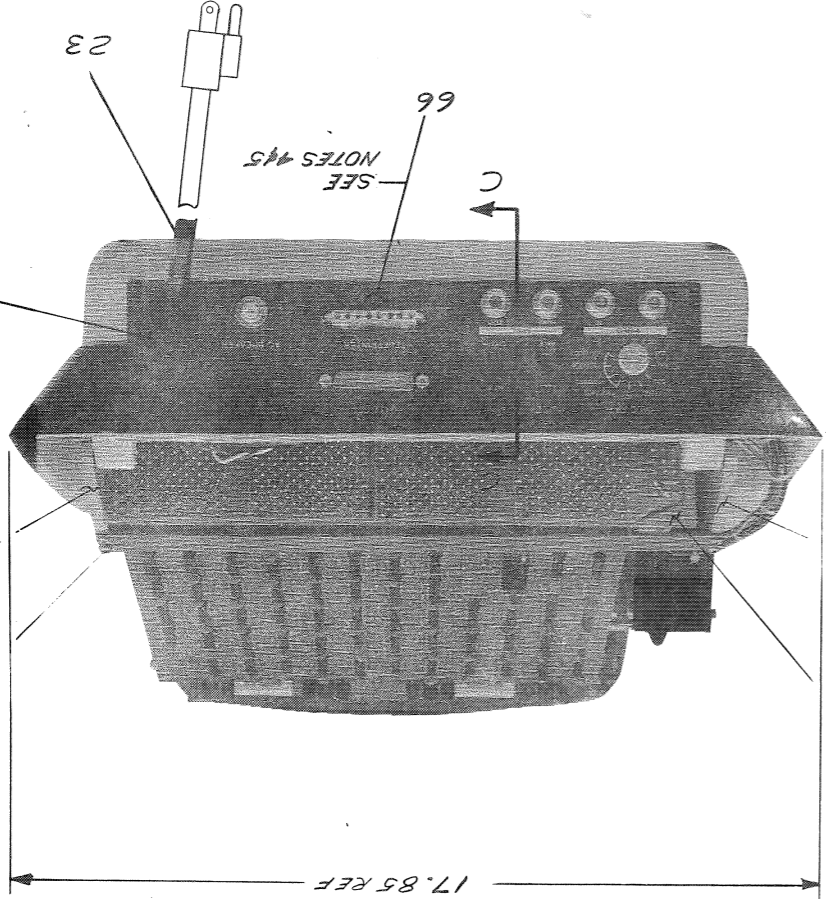
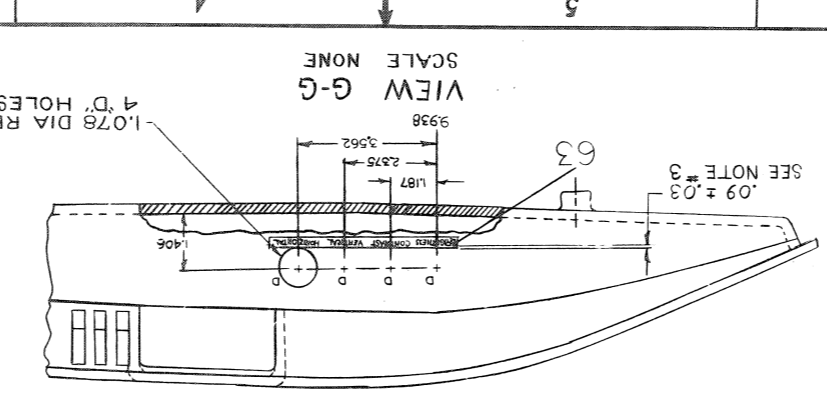
DEC 16-(325)-1048-1-N471



CHK	REVISIONS
CHANGE NO.	REV.

QTY.	DESCRIPTION	PART NO.	ITEM
PARTS LIST			
DATE	CHK'D	DATE	CHK'D
5/11/71	S. P. L.	5/11/71	S. P. L.
DATE	ENG.	DATE	ENG.
5/11/71	S. P. L.	5/11/71	S. P. L.
DATE	PROD.	DATE	PROD.
5/11/71	S. P. L.	5/11/71	S. P. L.
DATE	SCALE	DATE	SCALE
5/11/71	NONE	5/11/71	NONE
SIZE CODE	NUMBER	SIZE CODE	NUMBER
DUA-VT05-0-0	05-0-0	DUA-VT05-0-0	05-0-0
REV.	NUMBER	REV.	NUMBER
R	0	R	0

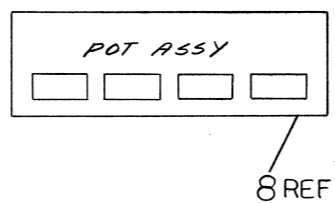
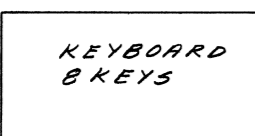
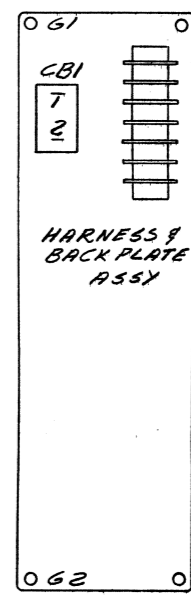
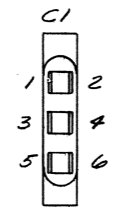
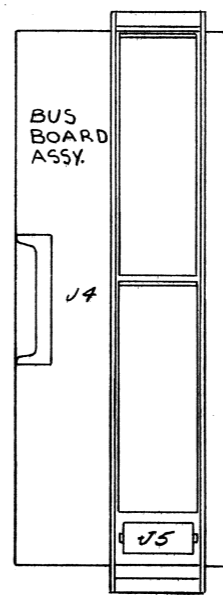
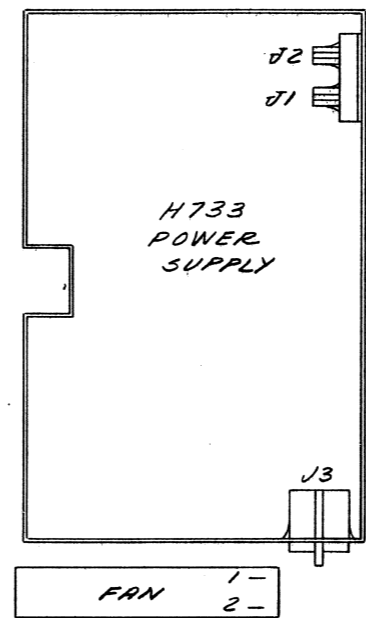
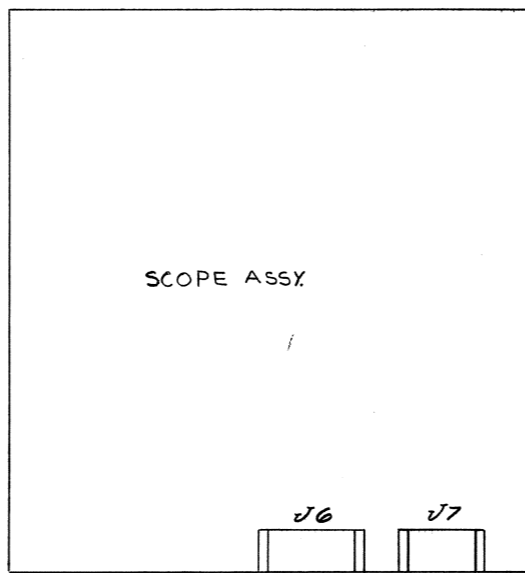
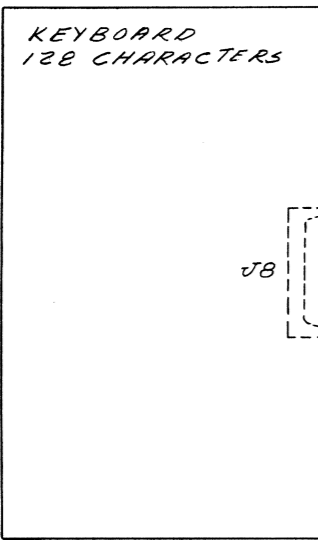
UNLESS OTHERWISE SPECIFIED  
DIMENSION IN INCHES  
DO NOT SCALE DRAWING  
FIRST USED ON OPTION/ MODEL  
VT05



1973  
this drawing and specifications, herein, are the property of Digital Equipment Corporation and shall not be reproduced or copied or used in whole or in part as a basis for the manufacture or sale of items without written permission.

This drawing and specifications, herein, are the property of Digital Equipment Corporation and shall not be reproduced or copied or used in whole or in part as the basis for the manufacture or sale of items without written permission.

WIRE TABLE					WIRE TABLE				
ITEM NO.	DESCRIPTION	FROM HARN. CONNECTION	TO CONNECTION	ITEM NO.	DESCRIPTION	FROM HARN. CONNECTION	TO CONNECTION		
18	—	—	P6	J8	18	—	P2	J4	
18	22	YEL	102	SPI-2	18	18	WHT	4A	C1-3
18	22	ORN	103	SPI-1	18	18	RED	4B	C1-5
8	—	—	P1	J7	18	18	BLK	4C	C1-1
18	—	—	P7	J6	18	18	BLK	3A	G1
18	—	—	134	FAN-1	18	18	RED	4	C1-4
18	—	—	135	FAN-2	23	—	WHT	—	C1-6
18	—	—	P4	J3	23	—	GRN	—	G1
18	—	—	P3	J5	23	—	BLK	—	CBI-2
18	—	—	P1	J1	18	18	BLK	63	G2
18	—	—	—	—	55	—	—	—	J2



REVISIONS	REV
CHANGE NO.	
CHK	

FIRST USED ON OPTION/MODEL VT05	QTY.	DESCRIPTION	PART NO.	ITEM NO.
PARTS LIST				
UNLESS OTHERWISE SPECIFIED	DRN	DATE	digital EQUIPMENT CORPORATION MAYNARD, MASSACHUSETTS	
DIMENSION IN INCHES	CHKD	DATE	TITLE	
TOLERANCES	ENG	DATE	ALPHA-NUMERIC TERMINAL	
DECIMALS FRACTIONS ANGLES	PROJ. ENG.	DATE	SIZE CODE	NUMBER
= .005 ± 1/64 ± 0/30	PROD.	DATE	DUA	VT05-0-0
FINAL SURFACE QUALITY REMOVE BURRS AND BREAK SHARP CORNERS			DIST.	
MATERIAL	NEXT HIGHER ASSY			REV
FINISH	A-ML-VT05-0			R
	SCALE	NONE		
	SHEET	3 OF 3		

**DIGITAL EQUIPMENT CORPORATION**  
MAYNARD, MASSACHUSETTS  
**PARTS LIST**

MADE BY P. MARCOTTE  
DATE 4/20/71  
ENG *Wes P. Marcotte*  
DATE 5/13/71

CHECKED *R. Cool*  
DATE 5-6-71  
PROD *A. Bunnick*  
DATE 5/14/71

SECTION 1  
ISSUED SECT. 1

ITEM NO.	DWG NO. / PART NO.	DESCRIPTION	QUANTITY / VARIATION
1	E-PS-1210913-0-0	PLASTIC BASE	1
2	E-PS-1210914-0-0	PLASTIC COVER	1
3	<del>3010326</del>	SCOPE ASSY	1
4	A-PL-H733-0-0	H733 POWER SUPPLY	1
5	5410541	KEYBOARD (128 CHARACTERS)	1
6	5410613	KEYBOARD (8 KEYS)	1
7	E-IA-E020-0-0	BUS BOARD (VT05)	1
8	D-AD-7007232-0-0	POT ASSY	1
9	C-IA-7408638-1-0	BRACKET, LARGE KEYBOARD (R.H.)	1
10	C-IA-7408638-2-0	BRACKET, LARGE KEYBOARD (L.H.)	1
11	D-IA-7408852-0-0	BRACKET, SMALL KEYBOARD (REV. J)	1
12	1210299	SPEAKER, 16Ω, 1/2W QUAM	1
13	D-IA-7408573-0-0	BRACKET, FAN	1
14	1209942-01	FAN	1
<del>15</del>	<del>C-MD-74004881-0-0</del>	<del>SCREEN, FAN</del>	<del>2</del>
16	C-IA-7408580-1-0	RETAINER CONNECTOR BLOCK	1
17	C-IA-7408580-2-0	RETAINER, CONNECTOR BLOCK	1
18	D-IA-7007231-0-0	HARNES & BACK PLATE ASSY	1
19	9007083	CLAMP, CABLE NYLON 3/8	1
20	B-SC-1210348-0-0	BUTTON, ROCKER SWITCH	1
21	B-SC-1210349-0-0	BUTTON, ROCKER SWITCH	1
22	9008894-1	TAPE 1/2 IN. WIDE	1

TITLE ALPHA-NUMBER TERMINAL  
ASSY NO. D-UA-VT05-0-0  
SHEET 1 OF 4  
SIZE CODE A PL  
DIST. 5  
NUMBER VT05-0-0  
REV. R  
ECO NO. VT05-00074

**DIGITAL EQUIPMENT CORPORATION**  
MAYNARD, MASSACHUSETTS  
**PARTS LIST**

MADE BY P. MARCOTTE  
DATE 4/20/71  
ENG *Wes P. Marcotte*  
DATE 5/13/71

CHECKED *R. Cool*  
DATE 5-6-71  
PROD *A. Bunnick*  
DATE 5/14/71

SECTION 1  
ISSUED SECT. 1

ITEM NO.	DWG NO. / PART NO.	DESCRIPTION	QUANTITY / VARIATION
23	C-IA-7008502-9-0	POWER CORD	1
24	E-MD-7408891-0-0	SCREEN, PROTECTIVE	1
25	D-IA-7408585-0-0	SHIELD, SCOPE	1
26	B-IA-7408894-0-0	BRACKET, MTG SWITCH	1
27	1209856-01	MODULE HOLDER	2
28	74-11477	FOAM MODULE SOLD DOWN	1
29	E-CS-M7000-0-1	CURSOR CONTROL	1
30	E-CS-M7001-0-1	CHARACTER GENERATOR & TIMING	1
31	E-CS-M7002-0-1	MEMORY & MEMORY TIMING	1
32	9008301-1	SCR PHL PAN HD #4-40 X .25LG SST	2
33	9006010-1	SCR PHL PAN HD #4-40X .31 LG SST	4
34	9006011-1	SCR PHL PAN HD #4-40 X .38LG SST	2
35	9006632	LOCKWASHER #4 INT TOOTH	6
36	9006557	NUT, KEPS #4-40 HEX	4
37	9006022-1	SCR PHL PA N HD #6-32X .38LG SST	2
38	9006024-1	SCR PHL PAN HD #6-32X .50 LG SST	12
39	9006633	LOCKWASHER #6 INT TOOTH	14
40	9006560	NUT, KEPS #6-32 HEX SST	6
41	9006121	SCR, FILL HD POZ1-DRIVE 8-32X .38STL	8
42	9006039-1	SCR, PHL PAN HD #8-32 X .50 LG SST	5
43	9006040-1	SCR, PHL PAN HD #8-32X .62LG SST	11
44	9006634-1	LOCKWASHER #8 INT TOOTH	16

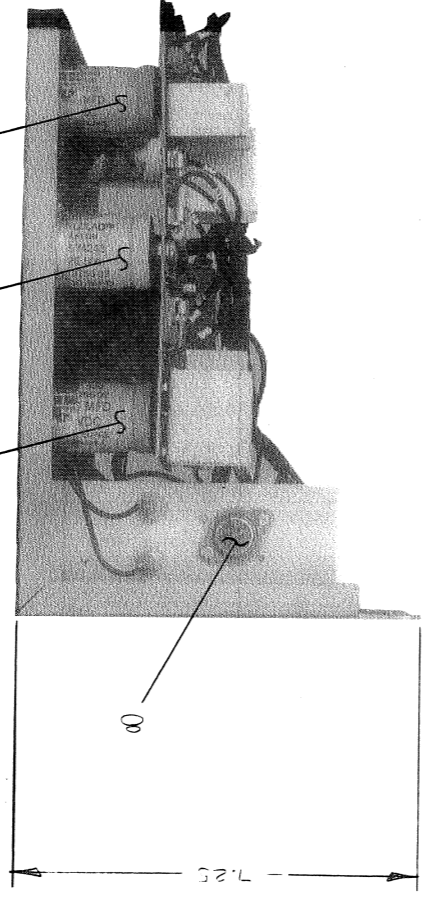
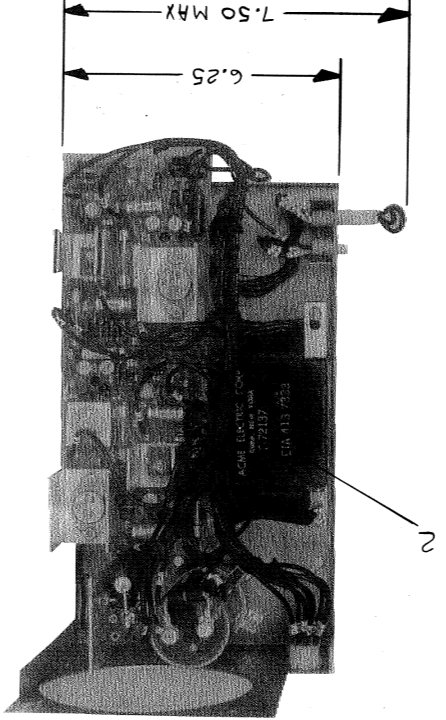
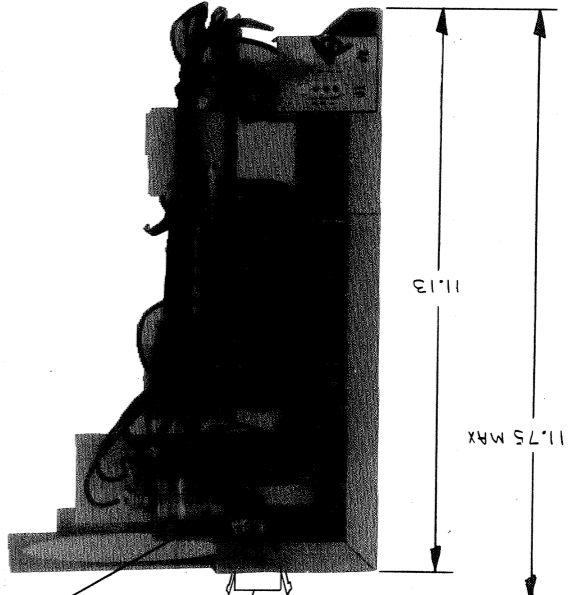
TITLE ALPHA-NUMERIC TERMINAL  
ASSY NO. D-UA-VT05-0-0  
SHEET 2 OF 4  
SIZE CODE A PL  
DIST. 5  
NUMBER VT05-0-0  
REV. R  
ECO NO. VT05-00074



REV	DATE	BY	CHKD
1	11/23	K.S.	
2	11/23		

REV	DATE	BY	CHKD
1	11/23	K.S.	
2	11/23		

THIS DRAWING AND SPECIFICATIONS, HEREIN ARE THE PROPERTY OF DIGITAL EQUIPMENT CORPORATION AND SHALL NOT BE REPRODUCED OR COPIED IN WHOLE OR IN PART AS THE BASIS FOR THE MANUFACTURE OR SALE OF ITEMS WITHOUT WRITTEN PERMISSION. © 1973 DIGITAL EQUIPMENT CORPORATION.



MADE FROM D-107379 WITH PERMISSION FROM RCME ELECTRIC CORP.

UNLESS OTHERWISE SPECIFIED DIMENSION IN INCHES	10-17-73	DRN. K.S.	DATE 11/23
TOLERANCES	ANGLES	DECIMALS	ANGLES
xxx = .005	xxx = .005	xx = .02	x = .1
REMOVE BURRS AND BREAK SHARP CORNERS SURFACE QUALITY 1			
NEXT HIGHER ASSY.			
MATERIAL			
FINISH NONE			
SCALE NONE			
SHEET 1 OF 2			
DIST.			

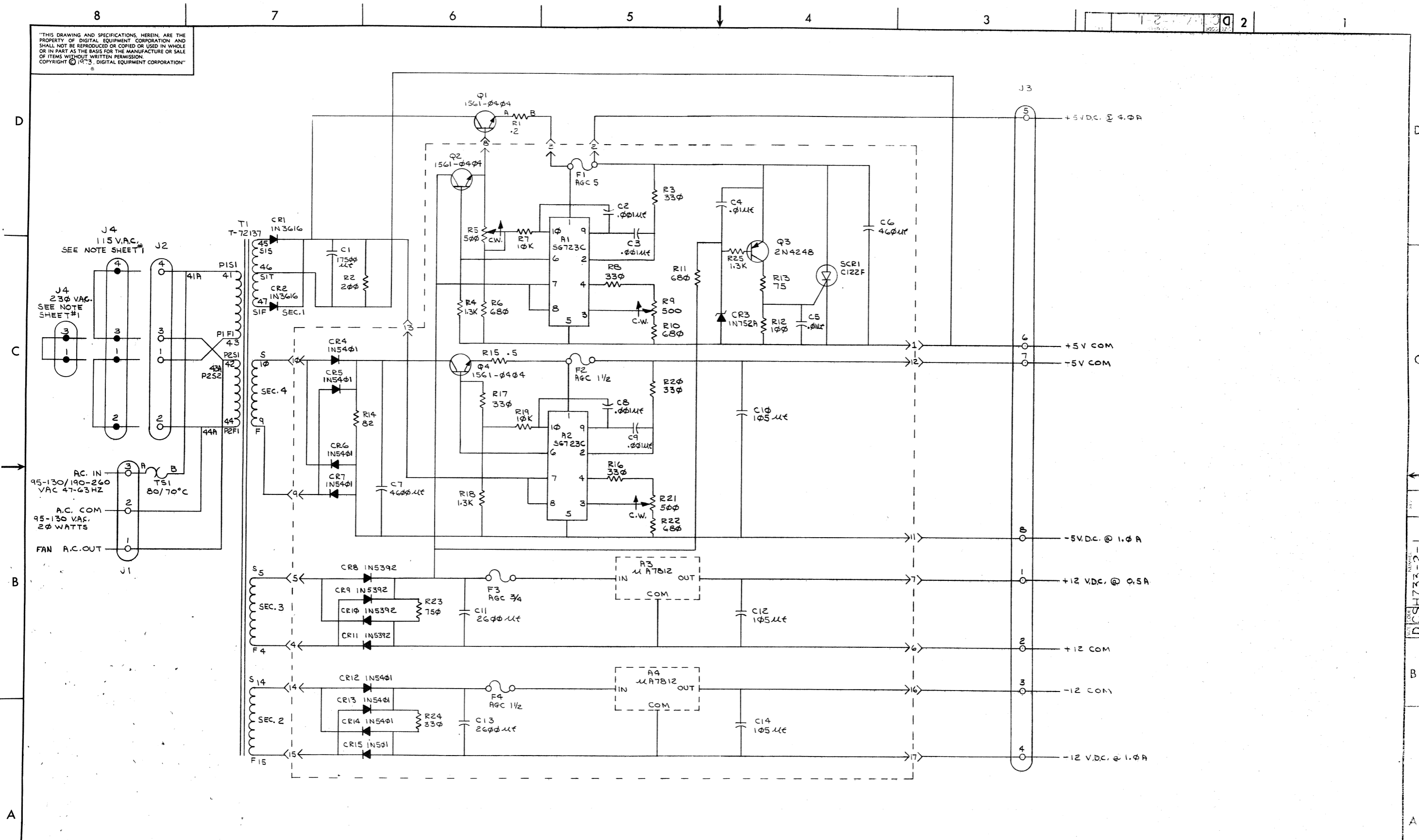
QTY.	DESCRIPTION	DES.	PART NO.	ITEM NO.
1	TEMP SW 80°/70°	TS1	A-7-7682	1
1	TRANSFORMER	TI	T-72137	2
2	FUSE AgCl .5A	F2, F4	A-7-27241	3
1	FUSE AgC .750A	F3	A-5-27241	4
1	FUSE 5A	F1	A-1-23108	5
2	IC KA7812A	KA1, KA2	A-107237	6
2	IC SG723C	KA1, KA2	A-96737	7
3	TSTR 1561-0404	Q1, Q2, Q4	A-6-67703	8
1	TSTR 2N4248	Q3	A-1-83242	9
1	RES 15A 5W	R15	A-3-92730	10
3	POT 500A 1/4W	R21, R22, R23	A-5-92353	11
1	RES 330A 5W	R24	A-73-52815	12
1	RES 82A 5W	R14	A-68-52815	13
1	RES 75A 1/2W	R13	A-78-44507	14
3	RES 1.3K 1/2W	R25, R26, R27	A-50-44507	15
2	RES 10K 1/2W	R7, R19	A-43-44507	16
4	RES 680A 1/2W	R6, R10, R20, R21	A-19-44507	17
5	RES 330A 1/2W	R3, R4, R5, R11, R12	A-18-44507	18
1	RES 100A 1/2W	R12	A-1-44507	19
1	RES 750A 2W	R23	A-56-41321	20
1	RES 200A 2W	R2	A-12-41321	21
1	RES .2A 7W	R1	A-1-92731	22
2	CAP 2600A 30VDC	CI1, CI3	A-46-74243	23
1	CAP 4600A 15VDC	C7	A-19-74243	24
1	CAP 460A 15VDC	C6	A-12-104963	25
3	CAP 105A 25VDC	CI4, CI9, CI2	A-18-104963	26
2	CAP .01A 100VDC	C9, C5	A-2-88012	27
4	CAP .001A 1KVDC	C2, C3, C8, C9	A-1-71984	28
1	DIODE C122F	SCR1	A-1-91517	29
2	DIODE 1N3616	CR2, CR3	A-2-92571	30
4	DIODE 1N5392	CR1, CR4, CR5, CR6	A-1-82573	31
8	DIODE 1N5401	CR7, CR8, CR12, CR13, CR14, CR15	A-2-81259	32
1	DIODE 1N752A	CR3	A-14-50538	33
1	CAP 17500A 20VDC	CI	A-31-74243	34

NOTES:  
 1. FOR 110VAC OPERATION; J4 WILL HAVE 2 JUMPER WIRES, 1 BETWEEN PIN #4 & #3 AND 1 BETWEEN PIN #1 & #2. FOR 230VAC OPERATION; J4 WILL HAVE 1 JUMPER WIRE BETWEEN PIN #3 & #1.  
 2. FOR 230VAC OPERATION; J4 WILL HAVE 1 JUMPER WIRE BETWEEN PIN #3 & #1.

REV. NUMBER DCSH733-2-1

1-2-337H	10	1
----------	----	---

"THIS DRAWING AND SPECIFICATIONS, HEREIN, ARE THE PROPERTY OF DIGITAL EQUIPMENT CORPORATION AND SHALL NOT BE REPRODUCED OR COPIED OR USED IN WHOLE OR IN PART AS THE BASIS FOR THE MANUFACTURE OR SALE OF ITEMS WITHOUT WRITTEN PERMISSION. COPYRIGHT © 1973, DIGITAL EQUIPMENT CORPORATION"



REVISIONS		
CHK	CHANGE NO.	REV.

TITLE	POWER SUPPLY H733	SIZE CODE	NUMBER	REV.
SCALE	1/1	SHEET	2 OF 2	DIST
D C S H 7 3 3 - 2 - 1				

D C S H 7 3 3 - 2 - 1



This drawing and specifications, herein, are the property of Digital Equipment Corporation and shall not be reproduced or copied or used in whole or in part as the basis for the manufacture or sale of items without written permission. 1972

MECHANICAL					DEPT USAGE					MECHANICAL					DEPT USAGE					ELECTRICAL					DEPT USAGE					ELECTRICAL					DEPT USAGE																																																												
FIND NO.	DESCRIPTION	PART NO.	PROD	CUST	F/C	FIND NO.	DESCRIPTION	PART NO.	PROD	CUST	F/C	FIND NO.	DESCRIPTION	PART NO.	PROD	CUST	F/C	FIND NO.	DESCRIPTION	PART NO.	PROD	CUST	F/C	FIND NO.	DESCRIPTION	PART NO.	PROD	CUST	F/C																																																																		
1.	ALPHA-NUMERIC TERMINAL ALPHA-NUMERIC TERMINAL (PL) RETAINER, CONNECTOR BLOCK BRACKET, LARGE KEYBOARD BRACKET, SMALL KEYBOARD BRACKET, FAN SCREEN, FAN BUTTON ROCKER SWITCH BUTTON ROCKER SWITCH SCREEN, PROTECTIVE BRACKET, SWITCH MTG POWER CORD JUMPER ASSY, POWER SUPPLY INTERFACE CABLE INSULATOR CABLE KEYBOARD INTERCONN DECAL, TV CONTROLS SHIM PLATE, LG. KEYBOARD SHIM PLATE, SM. KEYBOARD DECAL, UL LABEL FOAM MODULE HOLD DOWN H733 POWER SUPPLY	D-IA-VT05-0-0 A-PL-VT05-0-0 C-IA-7408580-0-0 C-IA-7408639-0-0 D-IA-7408852-0-0 D-IA-7408573-0-0 C-MD-7404881-U-0 B-SC-1210348-0-0 B-SC-1210349-0-0 E-MD-7408891-0-0 B-IA-7408894-0-0 C-IA-7006502-0-0 B-IA-7008425-0-0 C-IA-7008519-0-0 B-MD-7409285-0-0 C-IA-7008612-0-0 A-PS-3511183-0-0 B-MD-7410760-0-0 B-MD-7410759-0-0 A-DC-7410785-0-0 B-MD-7411477-0-0 A-PL-H733-0-0				12.	CURSOR CONTROL X-Y COORDINATE HOLE LOC ASSY/DRILLING HOLE LAYOUT MODULE ECO HISTORY TEST PROCEDURE	E-CS-M7000-B-1 K-CO-M7000-B-4 D-AH-M7000-B-5 B-MH-M7000-B-6 A-SP-M7000-B-2				13.	CHARACTOR GENERATOR & TIMING X-Y COORDINATE HOLE LOC ASSY/DRILLING HOLE LAYOUT MODULE ECO HISTORY REAR SUPPORT BRKT. CRYSTAL HOLDER BRKT TEST PROCEDURE	E-CS-M7001-B-1 K-CO-M7001-B-4 D-AH-M7001-B-5 B-MH-M7001-B-6 B-MD-R405-0-1-B-3 B-MD-R405-0-1-B-2 A-SP-M7001-B-5				14.	MEMORY & MEMORY TIMING X-Y COORDINATE HOLE LOC ASSY/DRILLING HOLE LAYOUT MODULE ECO HISTORY TEST PROCEDURE	E-CS-M7002-B-1 K-CO-M7002-B-4 D-AH-M7002-B-5 B-MH-M7002-B-6 A-SP-M7002-B-3				*	INTERFACE (VT05A) X-Y COORDINATE HOLE LOC ASSY/DRILLING HOLE LAYOUT MODULE ECO HISTORY REAR SUPPORT BRKT CRYSTAL HOLDER BRKT TEST PROCEDURE	E-CS-M7003-B-1 K-CO-M7003-B-4 D-AH-M7003-B-5 B-MH-M7003-B-6 B-MD-R405-0-1-B-3 B-MD-R405-0-1-B-2 A-SP-M7003-B-3				**	INTERFACE (VT05 B) X-Y COORDINATE HOLE LOC ASSY/DRILLING HOLE LAYOUT MODULE HISTORY REAR SUPPORT BRKT CRYSTAL HOLDER BRKT TEST PROCEDURE MODULE TEST AND SYSTEM TEST STATION	D-CS-M7004-0-1 K-CO-M7004-0-4 D-AH-M7004-0-5 B-MH-M7004-0-6 B-MD-R405-0-1-B-3 B-MD-R405-0-1-B-2 A-SP-M7004-0-2 A-SP-VT05-T-0				15.	PACK. INST(VT05) OUTER CARTON INNER CARTON INNER SLEEVE TORO PAD (BLUE/WHITE) POLY BAG (30x42x4 MIL) POLY BAG (12x24x4 MIL)	A-PI-3700043-0-0 A-PS-9905090-0-0 A-PS-9905091-0-0 A-PS-9905089-0-0 A-PS-9905044-1 A-PS-9905129-36 A-PS-9905129-32				1.	ALPHA-NUMERIC TERMINAL STATIC Y COUNTER (M7000) DYNAMIC Y COUNTER (M7002) CURSOR UP (M7000) CURSOR DOWN DFLF (M7000) STATIC X COUNTER (M7000) DYNAMIC X COUNTER (M7000) CURSOR TO RIGHT (M7000) TAB LOGIC (M7000) CURSOR TO LEFT (M7000) CARRIAGE RETURN (M7000) AUTOMATIC CR/LF (M7000) HOME (M7000) X & Y COMPARTOR (M7001) ROW SELECT CIRCUIT (M7001) CHARACTER LOCATION COUNTER (M7001) CURSOR SYNCHRONIZER (M7001) MAIN MEMORY TIMING (M7002) ERASE SCREEN & ERASE LINE CRT (M7001) BELL CIRCUIT (M7001) TEST PATTERN GENERATOR (M7002) CAD (M7001) VT05 BUSS ASSIGNMENTS VT05 PWR & SIGNAL WIRING VT05 BLOCK DIAGRAM ACCEPTANCE PROCEDURES (CUSTOMER) PRODUCTION CHECKOUT PROCEDURES ACCEPTANCE SPECIFICATIONS ENGINEERING SPECIFICATIONS SCHEMATIC & PL LK01-R KEYBOARD CURSOR BOARD ASSY (KEY BOARD) SCHEMATIC, SCOPE ACCESSORY LIST SOFTWARE LIST SCHEMATIC VT05 RASTER DISPLAY VT05 RASTER DISPLAY CARTON	A-ML-VT05-0 D-TD-VT05-0-02 D-TD-VT05-0-03 D-TD-VT05-0-04 D-TD-VT05-0-05 D-TD-VT05-0-06 D-TD-VT05-0-07 D-TD-VT05-0-08 D-TD-VT05-0-09 D-TD-VT05-0-10 D-TD-VT05-0-11 D-TD-VT05-0-12 D-TD-VT05-0-13 D-TD-VT05-0-14 D-TD-VT05-0-15 D-TD-VT05-0-16 D-TD-VT05-0-17 D-TD-VT05-0-18 D-TD-VT05-0-19 D-TD-VT05-0-20 D-TD-VT05-0-21 D-TD-VT05-0-22 D-ML-VT05-0-23 D-IC-VT05-0-24 D-BD-VT05-0-25 A-SP-VT05-0-26 A-SP-VT05-0-27 A-SP-VT05-0-28 A-SP-VT05-0-29 D-CS-5410541-0-1 D-CS-5410541-0-1 D-CS-3010326-0-0 A-AL-VT05-0-30 A-SL-VT05-0-31 D-CS-3010326-0-3 A-PI-3700101-0-0				2.	SCHEMATIC, POWER SUPPLY SCHEMATIC POWER SUPPLY SCHEMATIC POWER SUPPLY	D-CS-H733-B-1 D-CS-H733-1-1 D-CS-H733-2-1				3.	CIRCUIT SCHEMATIC	D-CS-E020-B-1				4.	PRINTED CIRCUIT LAYOUT	PC-5009404-0-1				12.	CURSOR CONTROL	E-CS-M7000-B-1				13.	CHARACTER GENERATOR & TIMING	E-CS-M7001-B-1				14.	MEMORY & MEMORY TIMING	E-CS-M7002-B-1				*	INTERFACE (VT05A)	E-CS-M7003-B-1				**	INTERFACE (VT05 B)	D-CS-M7004-0-1			

REVISIONS CHANGE NO. CHK	REV	
	CHK	
	REV	
	CHK	
	REV	

FIRST USED ON OPTION/MODEL VT05	DRN 3-3-72	DATE 3-3-72
CHK'D L. Cox	DATE 6-3-71	
ENG. L. Cox	DATE 5-4-71	
PROJ. ENG. L. Cox	DATE 6-1-71	
PROD. L. Cox	DATE 6-1-71	
NEXT HIGHER ASSY A-ML-VT05-0		
SCALE 1/1	SIZE CODE DIDI	NUMBER VT05-0-1
SHEET 1 OF 2	DIST.	

digital EQUIPMENT CORPORATION MAYNARD, MASSACHUSETTS	
DRAWING INDEX LIST	
SIZE CODE DIDI	NUMBER VT05-0-1
SCALE 1/1	DIST.

