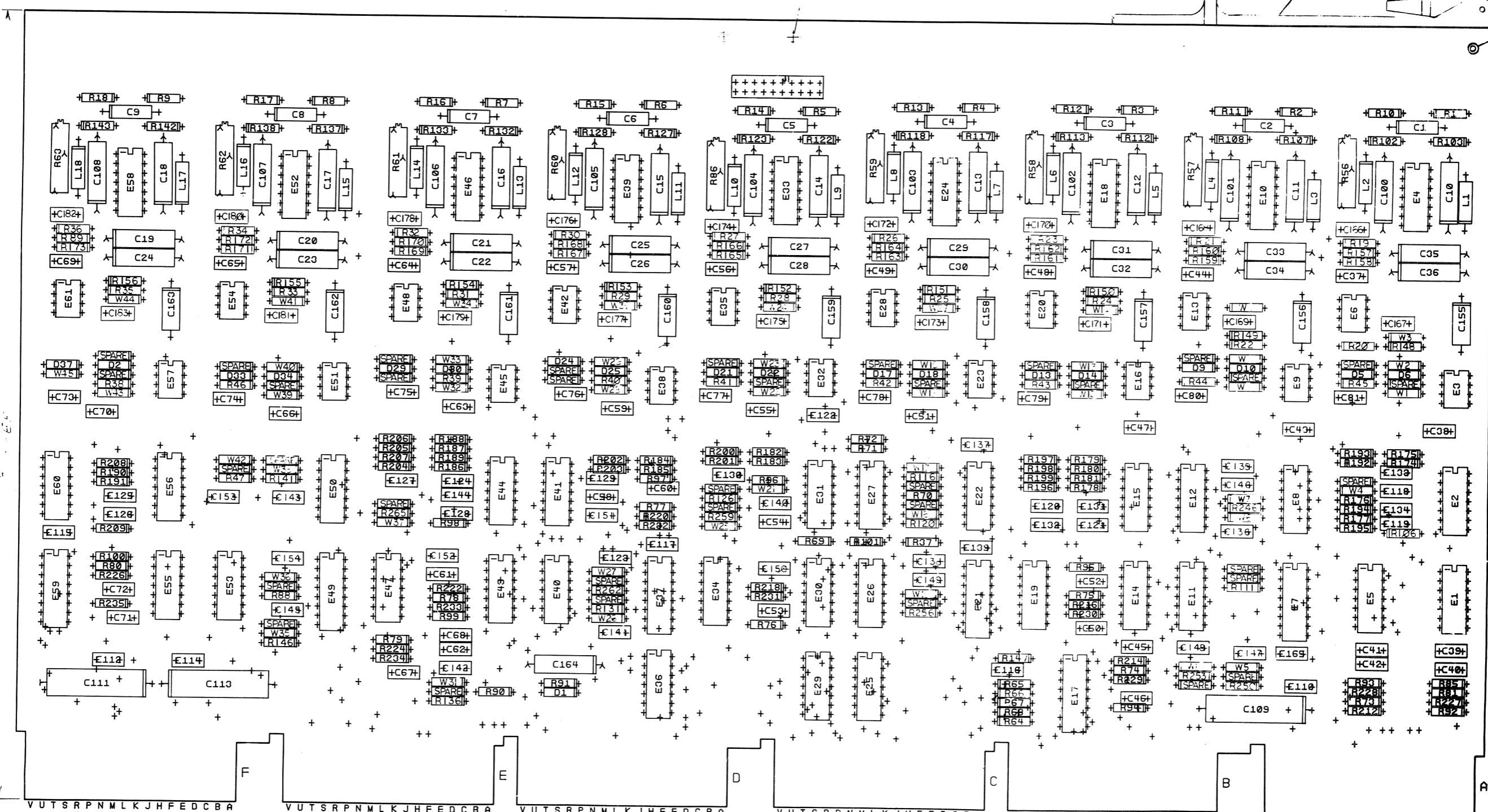


THIS DRAWING AND SPECIFICATIONS, WHETHER MADE BY THE PROPERTY OF THE UNITED STATES GOVERNMENT OR NOT, ARE HEREBY RELEASED TO THE PUBLIC ON THE CONDITION THAT THE RECIPIENT WILL NOT REPRODUCE OR TRANSMIT IN ANY FORM OR BY ANY MEANS, ELECTRONIC OR MECHANICAL, INCLUDING PHOTOCOPYING, RECORDING, OR BY ANY INFORMATION STORAGE AND RETRIEVAL SYSTEM, WITHOUT PERMISSION IN WRITING FROM THE UNITED STATES GOVERNMENT.

45 COMPONENT SIDE VIEW



NOTES:
 1. DO NOT INSTALL 2 EYELETS IN HANDLE HOLES INDICATED.
 REWORK INSTRUCTIONS ECO# 1
 COMPONENT DELETE SIDE 1
 1-2. R66 (P/N 1300439)
 COMPONENT ADDS SIDE 1:
 1-3. R66 (P/N 1303177) (CONT. ON SHEET 40F4)

CHANGE NO	REV	DATE	BY	CHK'D	APP'D
001	001	11/28/77	H.L.RAB		
002	001	12/13/77	H.L.RAB		
003	001	12/13/77	H.L.RAB		
004	001	12/13/77	H.L.RAB		
005	001	12/13/77	H.L.RAB		
006	001	12/13/77	H.L.RAB		
007	001	12/13/77	H.L.RAB		
008	001	12/13/77	H.L.RAB		
009	001	12/13/77	H.L.RAB		
010	001	12/13/77	H.L.RAB		

ETCH REV.	DATE	BY	CHK'D	APP'D
0				

SIGNATURES	DATE
DRN. <i>Sta. K...</i>	11/28/77
CHK'D. <i>J. B...</i>	12/13/77
ENG. <i>H.L.R.</i>	12/13/77
PROD. <i>H.L.R.</i>	12/13/77
SCALE 2/1	
SHT. 1 OF 4	
NEXT NUMBER ASSY. B-DO-6066-0	

digital

TITLE 9TK TUG READ AMP

SIZE CODE 0 UA

NUMBERS 6066-0

REV E

DIGITAL EQUIPMENT CORPORATION

PARTS LIST

MADE BY DAVID BEAUREGARD	CHECKED <i>P. Bosman</i>	SECTION
DATE 15 Oct 76	DATE 18 Oct '76	1
ENG <i>H. Findeisen</i>	PROD <i>Gordon P. Willard</i>	ISSUED SECTION
DATE 11.23.76	DATE 23 NOV '76	1

QUANTITY / VARIATION

NOTES:

USED ON OPTION/MODEL
TU16J

ITEM NO.	DRAWING NO.	PART NO.	DESCRIPTION	REF	QUANTITY	UNIT	DESCRIPTION	REF DESIGNATION
	D-CS-G066-0-1		CIRCUIT SCHEMATIC	REF				
	B-DD-G066-0		DWG DIRECTORY	REF				
	D-UA-G066-0-0		UNIT ASSEMBLY	REF				
	D-MD-5012235-0-0	5012235	ETCHED CIRCUIT BOARD		1			
1		19-13293-00	IC 74156		1			E17
2		19-10537-00	IC 74511		3			E25, E29, E36
3		19-12107-00	IC LM324		1			E27
4		19-10644-00	IC 733		9			E4, E10, E18, E24, E33, E39, E46, E52, E58
5		19-10735-02	IC 318		18			E3, E6, E9, E13, E16, E20, E28, E23, E32, E38, E35, E42, E45, E48, E51, E54, E57, E61
6		19-05620-01	IC 710		9			E1, E5, E14, E19, E30, E34, E43, E47, E55
7		19-12108-00	IC LM339		5			E2, E15, E31, E44, E56
8		19-05575-00	IC DEC7400		5			E8, E22, E41, E50, E60
9		19-05585-00	IC 7476		5			E7, E21, E37, E49, E59
10		19-09686-00	IC 7404		4			E12, E11, E40, E53
11		19-10011-00	IC DEC7486		1			E26
12		11-13295-00	DIODE 3.0V ZENER (11-4372A)		1			D1
13		11-00114-00	DIODE D664		18			D2, D5, D6, D9, D10, D13, D14, D17, D18, D21, D22, D24, D25, D29, D30, D33, D34, D37
14		16-02723-00	CHOKE 1 MH		18			L1 thru L18

E.C.O. NO.	10001	00002	00003
------------	-------	-------	-------

THIS DRAWING AND SPECIFICATIONS, HEREIN, ARE THE PROPERTY OF DIGITAL EQUIPMENT CORPORATION AND SHALL NOT BE REPRODUCED OR COPIED OR USED IN WHOLE OR IN PART AS THE BASIS FOR THE MANUFACTURE OR SALE OF ITEMS WITHOUT WRITTEN PERMISSION. COPYRIGHT © 1976 DIGITAL EQUIPMENT CORPORATION	TITLE	ASSY NO.	SIZE	CODE	NUMBER	REV.
	9 TK TU16 READ AMP	D-UA-G066-0-0	B	PL	G066-0-0	E
SHEET 1 OF 4			INSERTION PARTS LIST DATA BASE REV 0			

DIGITAL EQUIPMENT CORPORATION

PARTS LIST

MADE BY D. BEAUREGARD	CHECKED <i>S. Bauman</i>	SECTION 1
DATE 15 Oct 76	DATE 18 Oct 76	
ENG <i>H. F. Andersen</i>	PROD <i> Gordon R. Sillard</i>	ISSUED SECTION 1
DATE 11.23.76	DATE 23 NOV '76	

QUANTITY / VARIATION

NOTES:

*USED ON OPTION/MODEL
TU16J*

ITEM NO.	DRAWING NO.	PART NO.	DESCRIPTION	QUANTITY	VARIATION	REF DESIGNATION
15		10-04812-00	CAP 15 MF 20V, 10% TANT	19		C164, C10 thru C18, C100 thru 108
16		10-02431-00	CAP 2.2 UF 35V, 10% TANT	18		C19 thru C36
17		10-05820-00	CAP. 22PF 100V 5%	18		C166-C183 (IN PARALLEL WITH R19 thru R29, R30, R31 thru R36)
18		10-10274-01	CAP .22 UF 50V CER	57		C37 thru C72, C118 thru C134, C144, C110, C112, C114
19		10-00026-00	CAP 680PF 100V 5%	18		C135 thru C138, C140 thru C143, C145 thru C154
20		10-02608-00	CAP 18 PF 100V 5% DM	9		C73 thru C81
21		10-05116-00	CAP 3300 PF 200V 10%	9		C1 thru C9
22		10-13292-00	CAP 1800 PF 100V 10% MYLAR	9		C155 thru C163
23		10-01796-00	CAP 50 UF 25V AL EL	3		C11, C109, C113
24		10-01774-00	CAP .05 UF 25V DISC	5		C115 thru C117, C139, C165
25		13-01477-00	RES 82 1/4W 5%	18		R40 thru R55, R68 thru R94, R95, R96, R97, R254, R257, R260, R263, R266
26		13-00247-00	RES 120 1/4W 5%	18		R92 thru 100, R227 thru R235
27		13-00271-00	RES 220 1/4W 5%	18		R102, R107, R108, R112, R113, R117, R118, R122, R123, R127, R128, R132, R133, R137, R138, R142, R143
28		13-01424-00	RES 680 1/4W 5%	1		R147
29		13-00365-00	RES 1K 1/4W 5%	10		R85, R101, R212, R214, R216, R218, R220, R222, R224, R226
30		13-01320-00	RES 1.2K 1/4W 5%	18		R174 thru R191
31		13-01401-00	RES 750 1/4W 5%	18		R1 thru R18

E.C.O. NO.

THIS DRAWING AND SPECIFICATIONS, HEREIN, ARE THE PROPERTY OF DIGITAL EQUIPMENT CORPORATION AND SHALL NOT BE REPRODUCED OR COPIED OR USED IN WHOLE OR IN PART AS THE BASIS FOR THE MANUFACTURE OR SALE OF ITEMS WITHOUT WRITTEN PERMISSION. COPYRIGHT © 1976 DIGITAL EQUIPMENT CORPORATION.	TITLE 9 TK TU16 READ AMP	ASSY NO. D-LA-5066-0-0	SIZE B	CODE PL	NUMBER G066-0-0	REV. E
EN-01140A-16-R276(325) DRB 125		SHEET 2 OF 4		INSERTION PARTS LIST DATA BASE REV 5		

DIGITAL EQUIPMENT CORPORATION

PARTS LIST

QUANTITY / VARIATION

NOTES:

USED ON

OPTION / MODEL

TU16 J

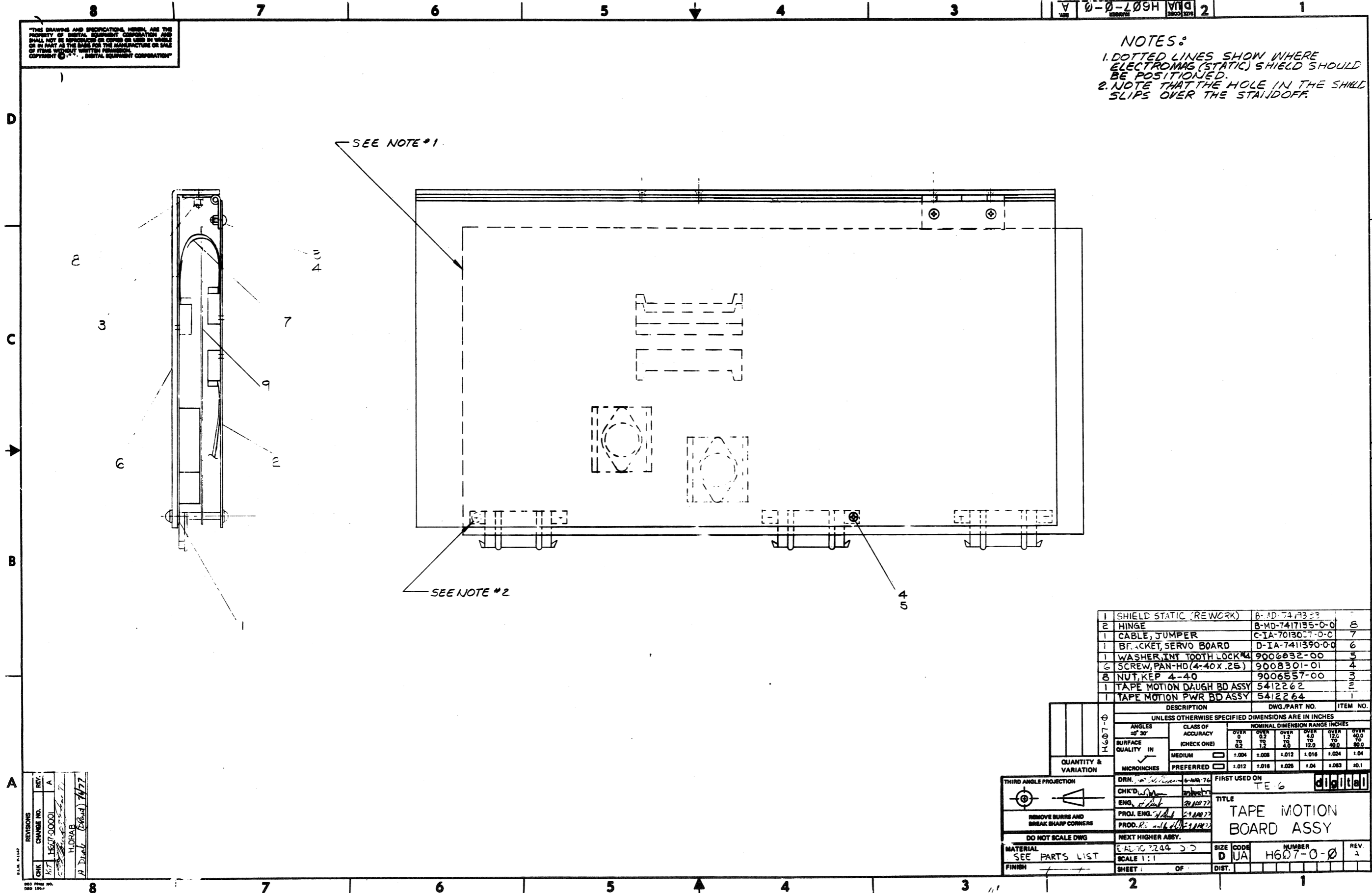
MADE BY DAVID BEAUREGARD	CHECKED P. Bossman	SECTION 1
DATE 15 Oct 76	DATE 18 Oct 76	
ENG H. Funderisen	PROD Gordon R. Willard	ISSUED SECTION 1
DATE 11.22.76	DATE 23 NOV '76	

ITEM NO.	DRAWING NO.	PART NO.	DESCRIPTION	QTY	REF DESIGNATION
32		13-02388-00	RES 2K 1/4W 5%	18	R192 thru R209
33		13-03177-00	RES 2.4K 1/4W 5%	1	R66
34		13-00439-00	RES 3.3K 1/4W 5%	18	R157 thru R173, R80
35		13-13349-00	RES 33K 1/4 10%	18	R19 thru R29, R30, R31 thru R36
36		13-00447-00	RES 4.7K 1/4W 5%	1	R70
37		13-00479-00	RES 10K 1/4W 5%	12	R71 thru R81, R90
38		13-01775-00	RES 820 5%	18	R89, R157 thru R173
39		13-01317-00	RES 10 1/4W 5%	2	R69, R37
40		13-09143-08	RES 2K POT	9	R56 thru R63, R86
41		13-03179-00	RES 2.2K 1/4W 5%	9	R38 thru R46
42		12-13335-00	CONNECTOR, 20 PIN	1	J1
43		13-00295-00	RES 330 1/4W 5%	19	R47, R88, R91, R106, R111, R116, R120, R126, R131, R136, R141, R146, R246, R250, R253, R256, R259, R262, R265
44		13-00391-00	RES 1.5K 1/4W 5%	1	R65
45		13-00444-00	RES 3.9K 1/4W 5%	1	R67
46		13-02177-00	RES 47K 1/4W 5%	1	R68
47		90-06732-00	EYELET	10	
48		12-10711-05	HANDLE, HEX	1	
49		9009185	JUMPER WIRE	45	W1 thru W45

E.C.O. NO.	THIS DRAWING AND SPECIFICATIONS, HEREIN, ARE THE PROPERTY OF DIGITAL EQUIPMENT CORPORATION AND SHALL NOT BE REPRODUCED OR COPIED OR USED IN WHOLE OR IN PART AS THE BASIS FOR THE MANUFACTURE OR SALE OF ITEMS WITHOUT WRITTEN PERMISSION. COPYRIGHT © 1976 . DIGITAL EQUIPMENT CORPORATION	TITLE 9 TK TU16 READ AMP	ASSY NO. D-UA-G066-0-0	SIZE B	CODE PL	NUMBER G066-0-0	REV. E
			SHEET 3 OF 4	INSERTION PARTS LIST DATA BASE # 8			

THE DRAWING AND SPECIFICATIONS HEREIN ARE THE PROPERTY OF DIGITAL EQUIPMENT CORPORATION AND SHALL NOT BE REPRODUCED OR COPIED OR USED IN WHOLE OR IN PART AS THE BASIS FOR THE MANUFACTURE OR SALE OF ITEMS WITHOUT WRITTEN PERMISSION.
COPYRIGHT © 1977, DIGITAL EQUIPMENT CORPORATION

NOTES:
1. DOTTED LINES SHOW WHERE ELECTROMAGNETIC (STATIC) SHIELD SHOULD BE POSITIONED.
2. NOTE THAT THE HOLE IN THE SHIELD SLIPS OVER THE STAINDOFF.



1	SHIELD STATIC (REWORK)	B-MD-74193-23	8
2	HINGE	B-MD-7417135-0-0	8
1	CABLE, JUMPER	C-IA-70130-7-0-0	7
1	BRACKET, SERVO BOARD	D-IA-7411390-0-0	6
1	WASHER, INT TOOTH LOCK	9006832-00	5
6	SCREW, PAN-HD (4-40 X .25)	9008301-01	4
8	NUT, KEP 4-40	9006557-00	3
1	TAPE MOTION DAUGH BD ASSY	5412262	2
1	TAPE MOTION PWR BD ASSY	5412264	1

QUANTITY & VARIATION		DESCRIPTION		DWG. PART NO.		ITEM NO.	
UNLESS OTHERWISE SPECIFIED DIMENSIONS ARE IN INCHES							
ANGLES	CLASS OF ACCURACY	NOMINAL DIMENSION RANGE INCHES					
45° 30'	(CHECK ONE)	OVER 0 TO 0.2	OVER 0.2 TO 0.4	OVER 0.4 TO 0.8	OVER 0.8 TO 1.2	OVER 1.2 TO 40.0	OVER 40.0 TO 80.0
SURFACE QUALITY	MEDIUM	±.004	±.008	±.012	±.016	±.024	±.04
MICROINCHES	PREFERRED	±.012	±.016	±.025	±.04	±.063	±0.1

THIRD ANGLE PROJECTION

REMOVE BURRS AND BREAK SHARP CORNERS

DO NOT SCALE DWG

MATERIAL SEE PARTS LIST

FINISH

DRN. 6-MAR-76

CHK'D. 20/10/77

ENG. 20/10/77

PROJ. ENG. 20/10/77

PROD. R. 20/10/77

FIRST USED ON

TITLE

TE 6

TAPE MOTION BOARD ASSY

SIZE D UA

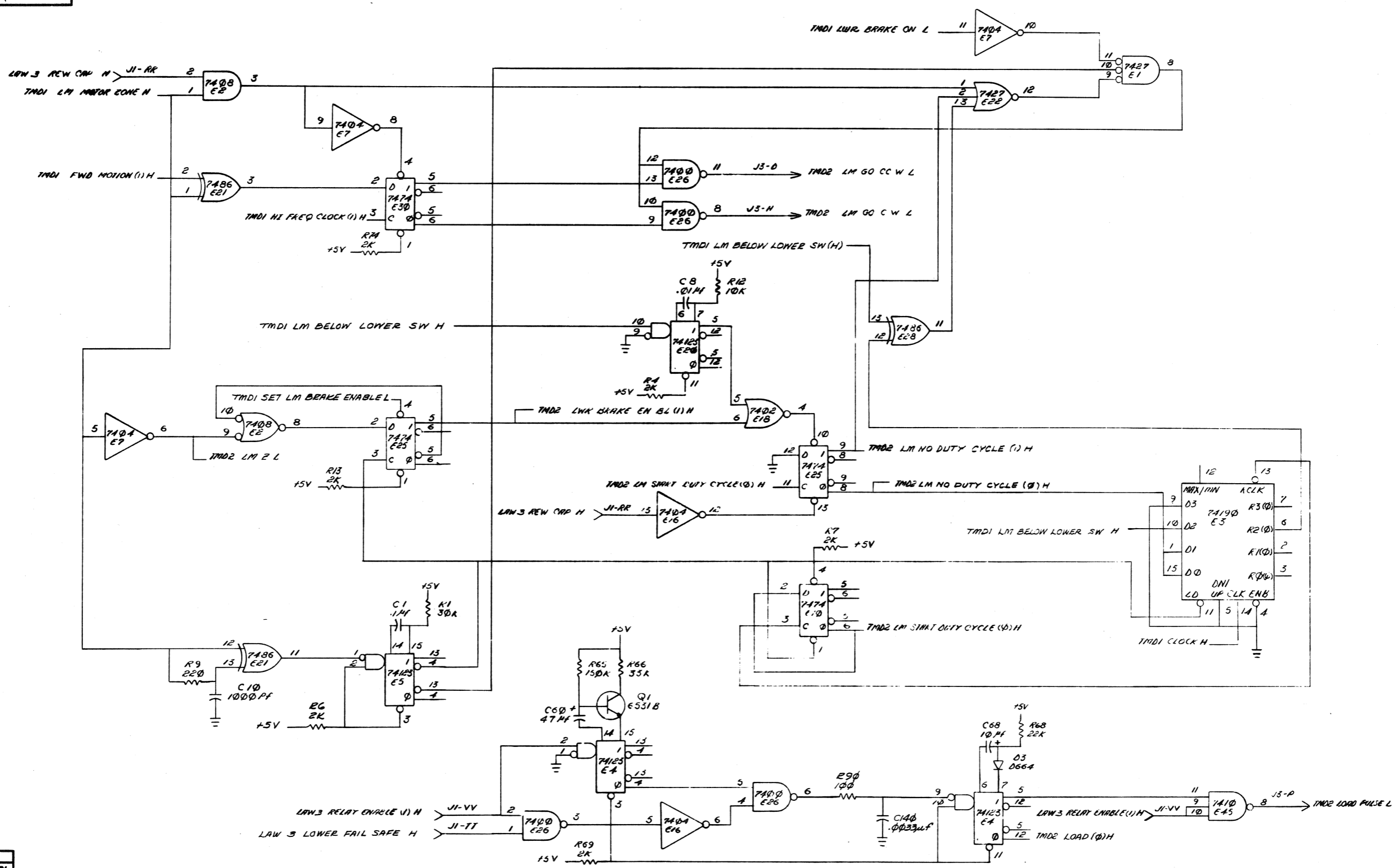
NUMBER H607-0-0

REV. 3

REV.	CHANGE NO.	DATE	BY
A	1	10/10/77	H. DRAB
			P. Drab

THIS DRAWING AND SPECIFICATIONS HEREIN ARE THE PROPERTY OF IBM CORPORATION. REPRODUCTION OR TRANSMISSION IN ANY FORM OR BY ANY MEANS IS PROHIBITED WITHOUT THE WRITTEN PERMISSION OF IBM CORPORATION. © 1972 IBM CORPORATION

REV. 1-1-72 5412262-0-1 DCS



REVISIONS		
CHK	CHANGE NO.	REV.

TITLE TAPE MOTION (TMD2) DAUGHTER BOARD
 SIZE CODE DCS NUMBER 5412262-0-1 REV. B
 SC _E NONE SHEET 2 OF 4 DIST.

REV. 1-1-72 5412262-0-1 DCS

