

8

7

6

5

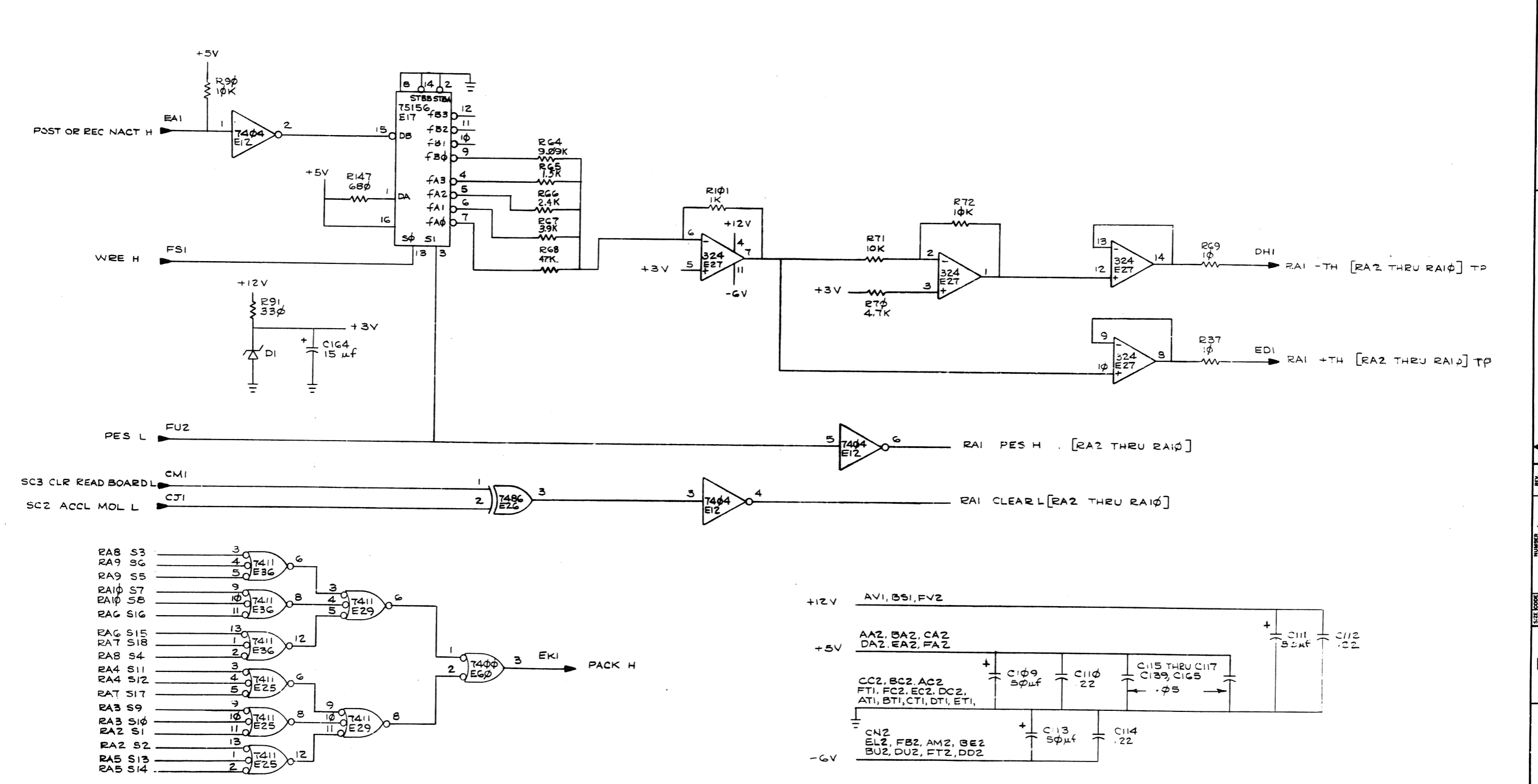
4

3

1-0-9929 SO/d/2

"THIS DRAWING AND SPECIFICATIONS HEREIN ARE THE PROPERTY OF DIGITAL EQUIPMENT CORPORATION AND SHALL NOT BE REPRODUCED OR COPIED OR USED IN WHOLE OR IN PART AS THE BASIS FOR THE MANUFACTURE OR SALE OF ITEMS WITHOUT WRITTEN PERMISSION. COPYRIGHT © 1976 DIGITAL EQUIPMENT CORPORATION"

NOTE:
1. ALL RESISTORS ARE 1/4W, ±5% UNLESS OTHERWISE SPECIFIED



REV.	CHG	NO.	DATE	BY
1	C	00001	01-18-77	H. DRAB
2	D	00002	02-17-77	H. DRAB
3	E	00003	03-17-77	A. KORELITZ
4	E	00004	04-17-77	A. KORELITZ

DRN. 11-11-76	FIRST USED ON	7U16	DIGITAL
CHK'D. 11-11-76	TITLE	9TK TU16 READ AMP (RA)	
ENG. 11-11-76	SCALE	1/1	
PROJ. ENG. 11-11-76	SCALE	1/1	
PROD. 11-11-76	SCALE	1/1	
NEXT HIGHER ASSY.	SIZE	CS	NUMBER
JA-GP66-2-0	SCALE	D	CS
SCALE	DIST.	G066-0-1	REV.
SHEET 1 OF 10	DIST.		E

8

7

6

5

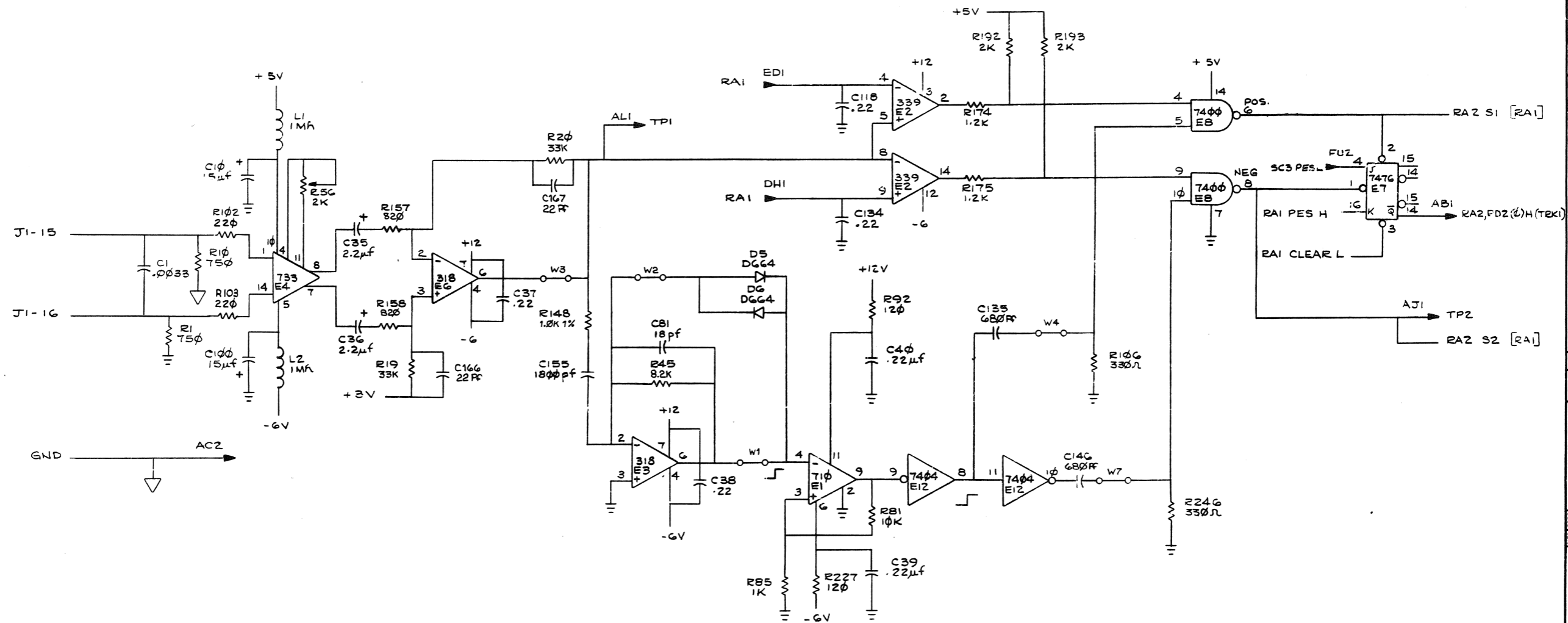
4

3

2

1

"THIS DRAWING AND SPECIFICATIONS HEREIN ARE THE PROPERTY OF DIGITAL EQUIPMENT CORPORATION AND SHALL NOT BE REPRODUCED OR COPIED OR USED IN WHOLE OR IN PART AS THE BASIS FOR THE MANUFACTURE OR SALE OF ITEMS WITHOUT WRITTEN PERMISSION. COPYRIGHT © 1976 DIGITAL EQUIPMENT CORPORATION"

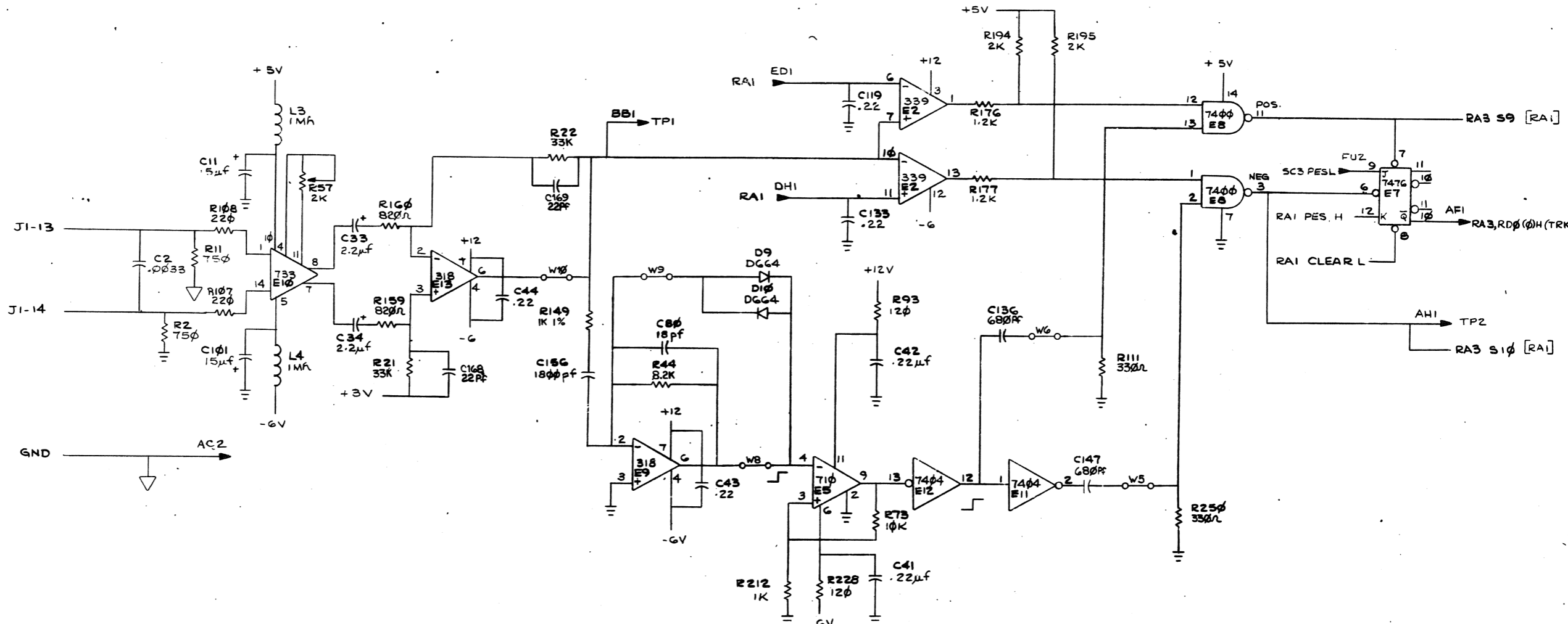


REVISIONS		
CHK	CHANGE NO.	REV.

TITLE	9TK TUI6 READ AMP (RA2)	SIZE CODE	D	NUMBER	CSG066-0-1	REV.	E
SCALE		SHEET	2	OF	10	DIST.	

THE DIMENSIONS AND SPECIFICATIONS WHICH ARE THE PROPERTY OF DIGITAL EQUIPMENT CORPORATION AND SHALL NOT BE REPRODUCED OR COPIED OR USED IN WHOLE OR IN PART FOR THE MANUFACTURE OR SALE OF PRODUCTS WITHOUT WRITTEN PERMISSION.
 COPYRIGHT © 1976 DIGITAL EQUIPMENT CORPORATION

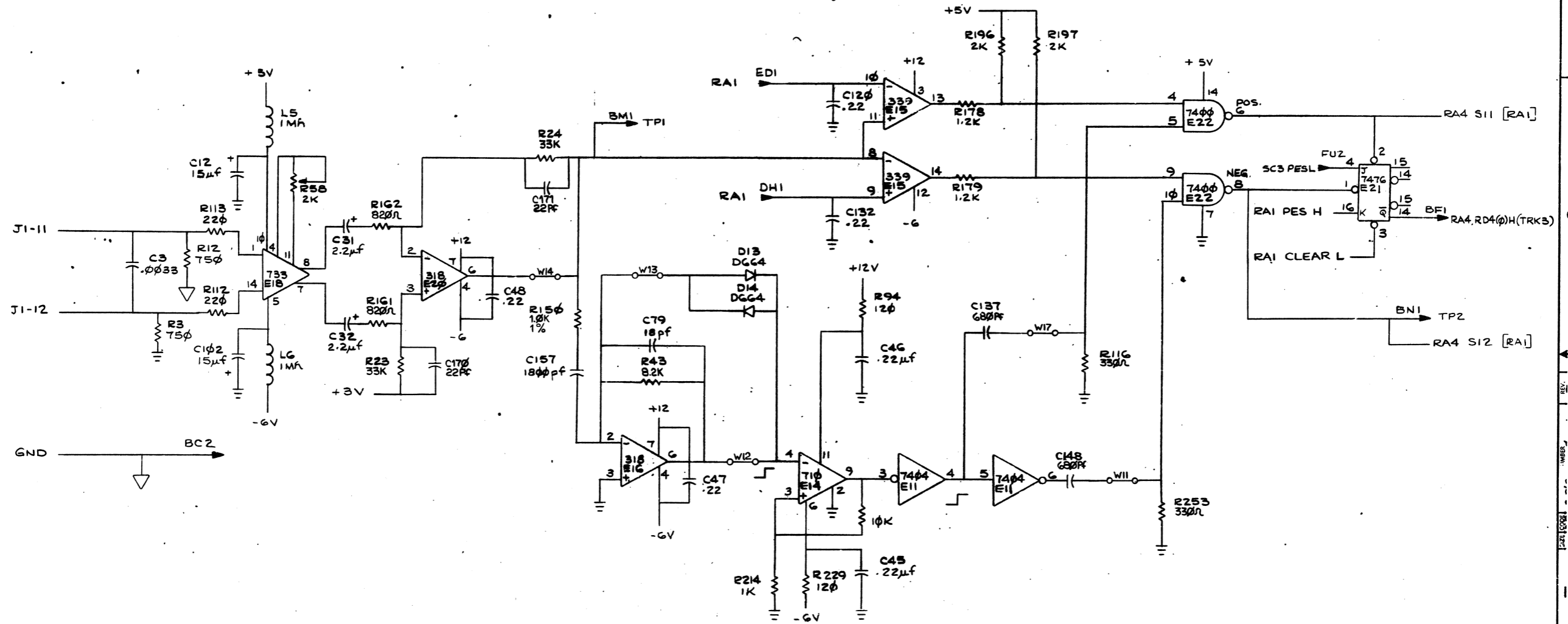
3 1-0-9909 SCS 2



REV.	
DATE	

TITLE	97K TU16 READ AMP (RA3)	SIZE CODE	D CS G066-0-1	NUMBER		REV.	E
SCALE		SHEET	3	OF	10	DIST.	

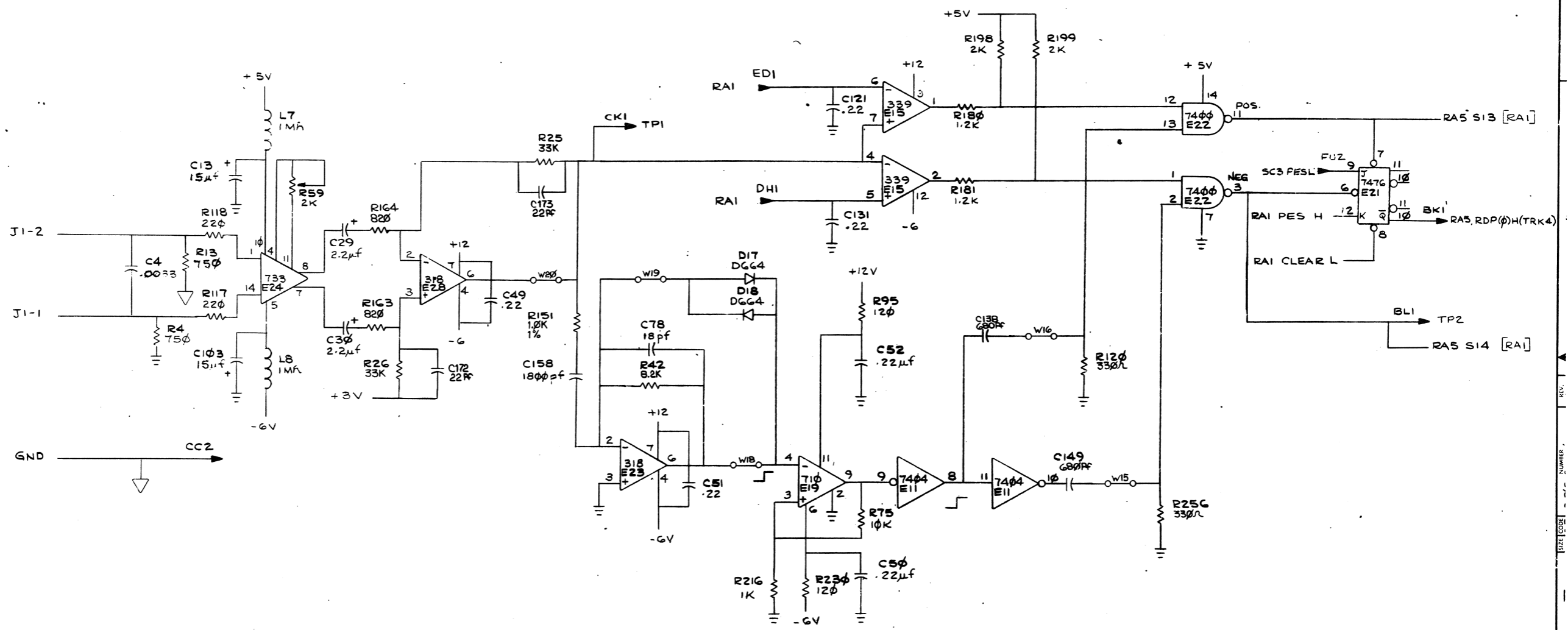
THIS DRAWING AND SPECIFICATIONS HEREIN ARE THE PROPERTY OF DIGITAL EQUIPMENT CORPORATION AND SHALL NOT BE REPRODUCED OR COPIED OR USED IN WHOLE OR IN PART AS THE BASIS FOR THE MANUFACTURE OR SALE OF ITEMS WITHOUT WRITTEN PERMISSION. COPYRIGHT © 1971, DIGITAL EQUIPMENT CORPORATION



CHK	CHANGE NO.	REV.

TITLE	9TK TU16 READ AMP (RA4)	SIZE CODE	D CS 6066-0-1	NUMBER		REV.	E
SCALE		SHEET	4	OF	10	DIST.	

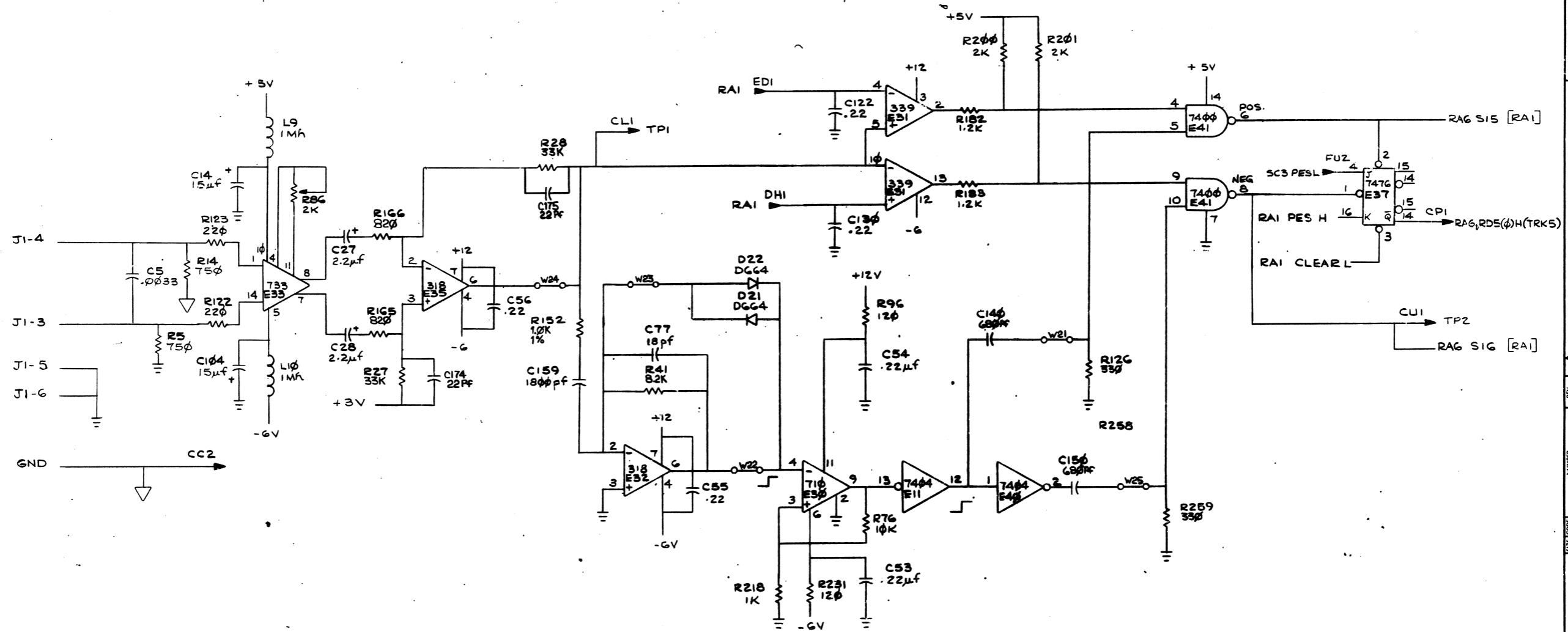
THIS DRAWING AND SPECIFICATIONS, HEREIN, ARE THE PROPERTY OF DIGITAL EQUIPMENT CORPORATION AND SHALL NOT BE REPRODUCED OR USED IN WHOLE OR IN PART AS THE BASIS FOR THE MANUFACTURE OR SALE OF ITEMS WITHOUT WRITTEN PERMISSION. COPYRIGHT © 1971 DIGITAL EQUIPMENT CORPORATION



REVISIONS		
CHK	CHANGE NO.	REV.

TITLE	9TK TU16 READ AMP (RA5)	SIZE CODE	D CS	NUMBER	G066-0-1	REV.	E
SCALE	SHEET 5 OF 10	DIST.					

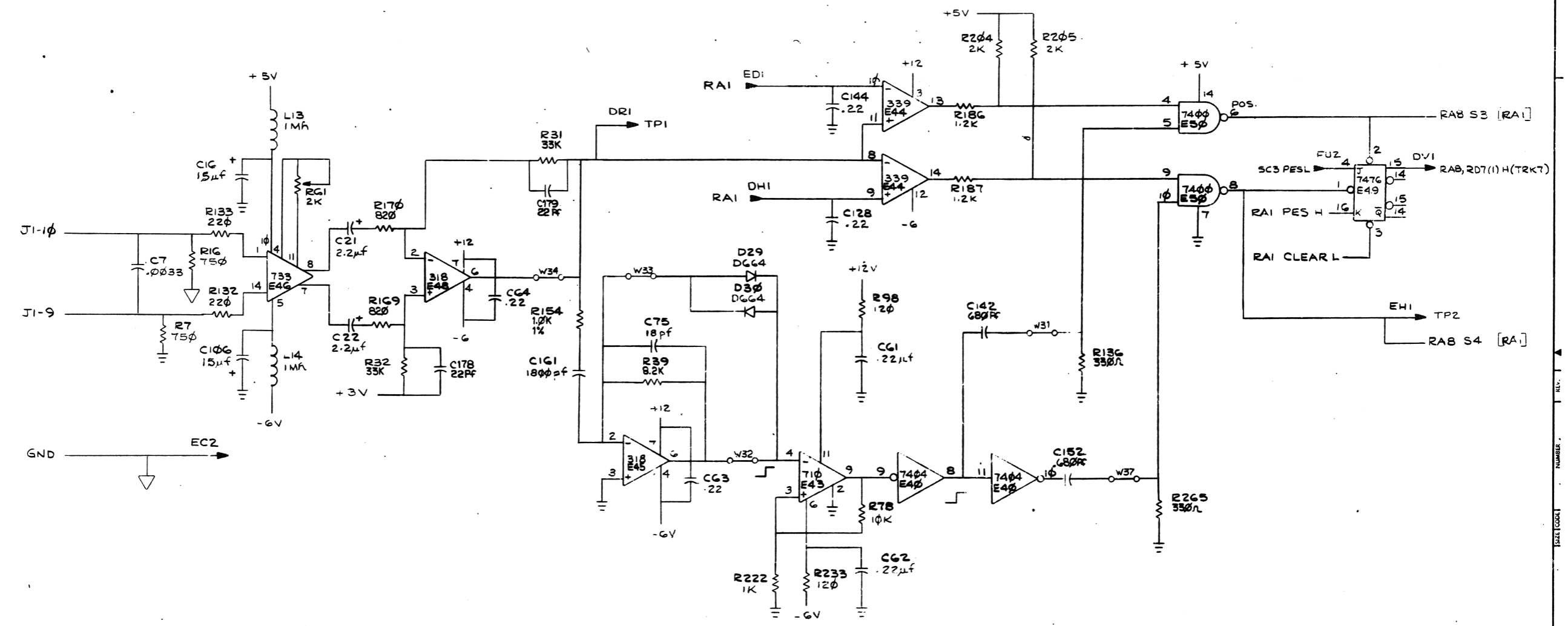
THE DRAWINGS AND SPECIFICATIONS HEREIN ARE THE PROPERTY OF DIGITAL EQUIPMENT CORPORATION AND SHALL NOT BE REPRODUCED OR COPIED OR USED IN WHOLE OR IN PART AS THE BASIS FOR THE MANUFACTURE OR SALE OF ITEMS WITHOUT WRITTEN PERMISSION. COPYRIGHT © 1971, DIGITAL EQUIPMENT CORPORATION



REVISIONS		
CHK	CHANGE NO.	REV.

TITLE 9TK TUIG READ AMP (RA6) SIZE CODE DCS NUMBER G066-0-1 REV. E
 SCALE SHEET 6 OF 10 DIST.

THE DESIGN AND SPECIFICATIONS HEREIN ARE THE PROPERTY OF DIGITAL EQUIPMENT CORPORATION AND SHOULD BE KEPT IN CONFIDENCE OR COPIED OR USED IN WHOLE OR IN PART AS TRADING FOR THE MANUFACTURE OR SALE OF ITEMS WITHOUT WRITTEN PERMISSION. COPYRIGHT © 1976, DIGITAL EQUIPMENT CORPORATION



REVISIONS		
CHK	CHANGE NO.	REV.

