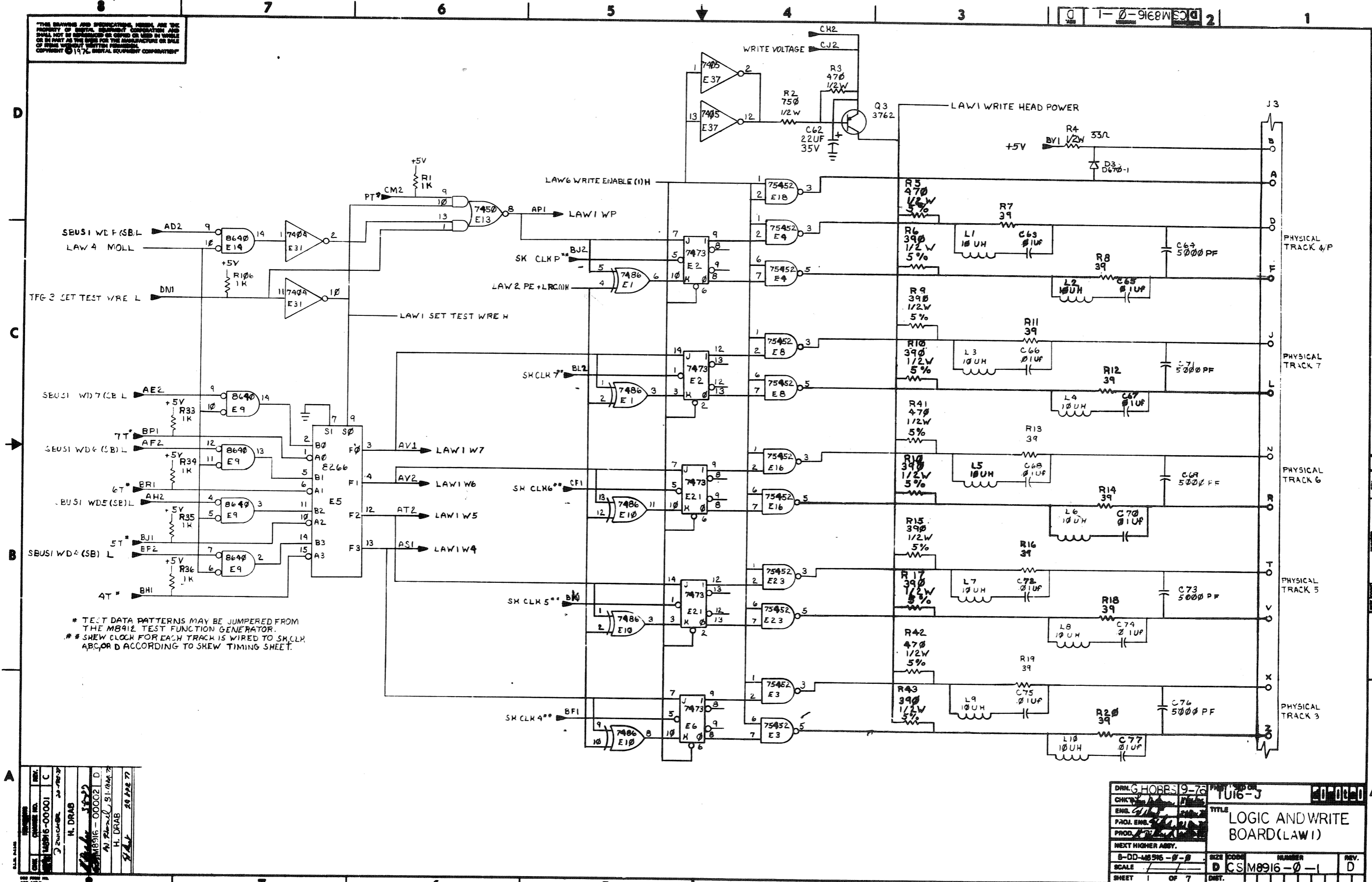


TITLE	SHEET 2 OF 3	SIZE CODE	NUMBER	REV
TE16 MAGNETIC TAPE DRIVE		B DD	TE16-Ø	



"THIS DRAWING AND INFORMATION HEREIN ARE THE PROPERTY OF DIGITAL EQUIPMENT CORPORATION AND SHALL NOT BE REPRODUCED OR COPIED OR USED IN WHOLE OR IN PART AS THE BASIS FOR THE MANUFACTURE OR SALE OF ANY EQUIPMENT WITHOUT THE WRITTEN PERMISSION OF DIGITAL EQUIPMENT CORPORATION."



\* TEST DATA PATTERNS MAY BE JUMPED FROM THE M8912 TEST FUNCTION GENERATOR.  
 \* \* SHEW CLOCK FOR EACH TRACK IS WIRED TO SK CLK A, B, C, OR D ACCORDING TO SHEW TIMING SHEET.

REV.	1
DATE	11/18/77
BY	H. DRAB
CHECKED	H. DRAB
APPROVED	H. DRAB
DESIGNED	H. DRAB
ENGIN.	H. DRAB
PROJ. ENGR.	H. DRAB
PROD. ENGR.	H. DRAB
TEST ENGR.	H. DRAB
WARRANTY ENGR.	H. DRAB
FIELD ENGR.	H. DRAB
TRAINING ENGR.	H. DRAB
OTHER	H. DRAB

DNL G. HOBBS 9-76		PART NO. 00000	
CHK'D		TU16-3	
ENGR.		TITLE	
PROJ. ENGR.		LOGIC AND WRITE BOARD (LAWI)	
PROD. ENGR.		NEXT HIGHER ASSY.	
SCALE		B-DD-48916-B-B	
SHEET		D CS M8916-0-1	
OF 7		REV. D	

8

7

6

5

4

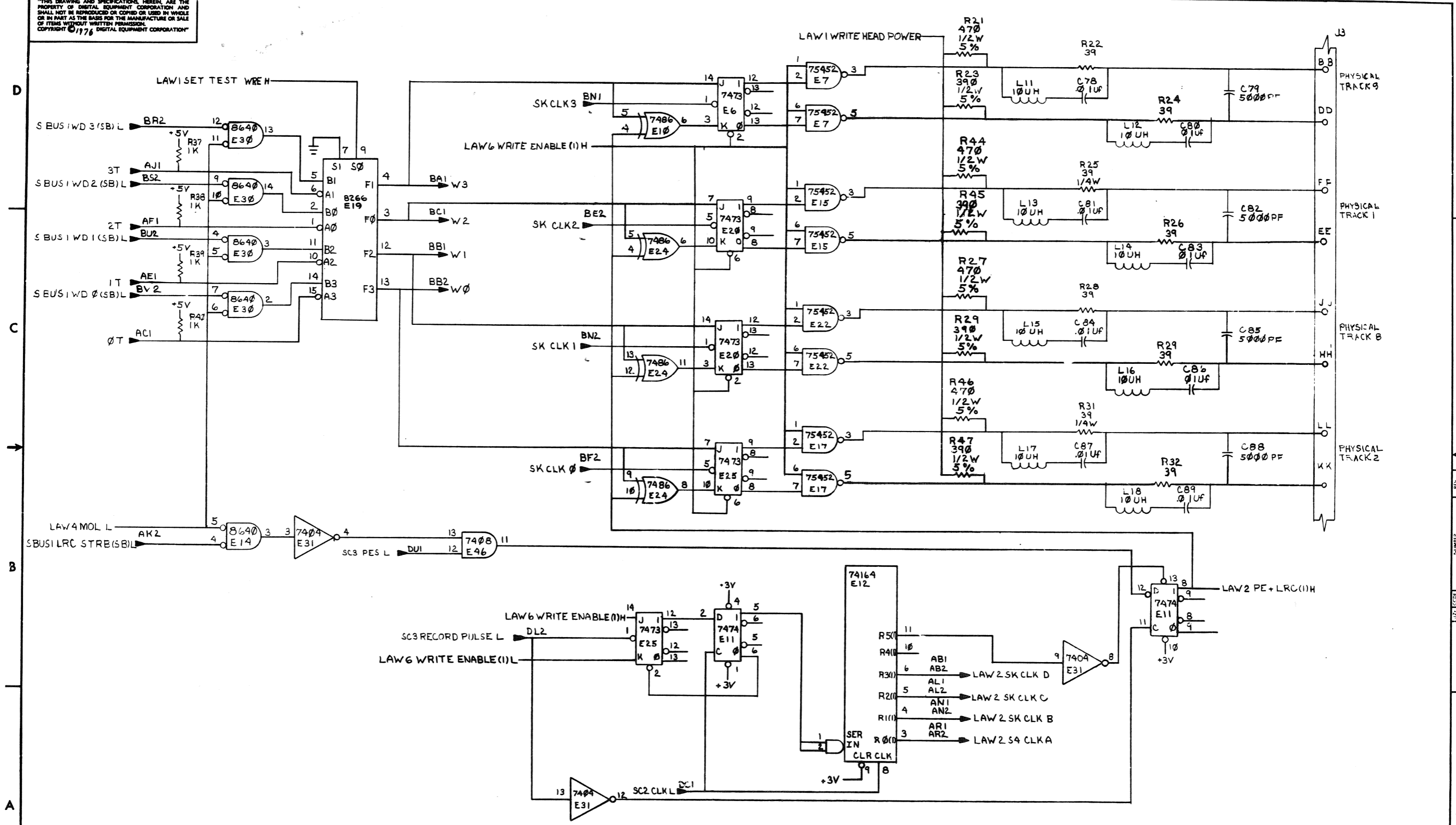
3

2

1

1-0-9168W S D 2

"THIS DRAWING AND SPECIFICATIONS, HEREIN, ARE THE PROPERTY OF DIGITAL EQUIPMENT CORPORATION AND SHALL NOT BE REPRODUCED OR COPIED OR USED IN WHOLE OR IN PART AS THE BASIS FOR THE MANUFACTURE OR SALE OF ITEMS WITHOUT WRITTEN PERMISSION. COPYRIGHT © 1976 DIGITAL EQUIPMENT CORPORATION"



REVISIONS		
CHK	CHANGE NO.	REV.

TITLE	LOGIC AND WRITE BOARD LAW2	SIZE CODE	D CS	NUMBER	M8916-0-1	REV.	0
SCALE		SHEET	2 OF 7	DIST.			

8

7

6

5

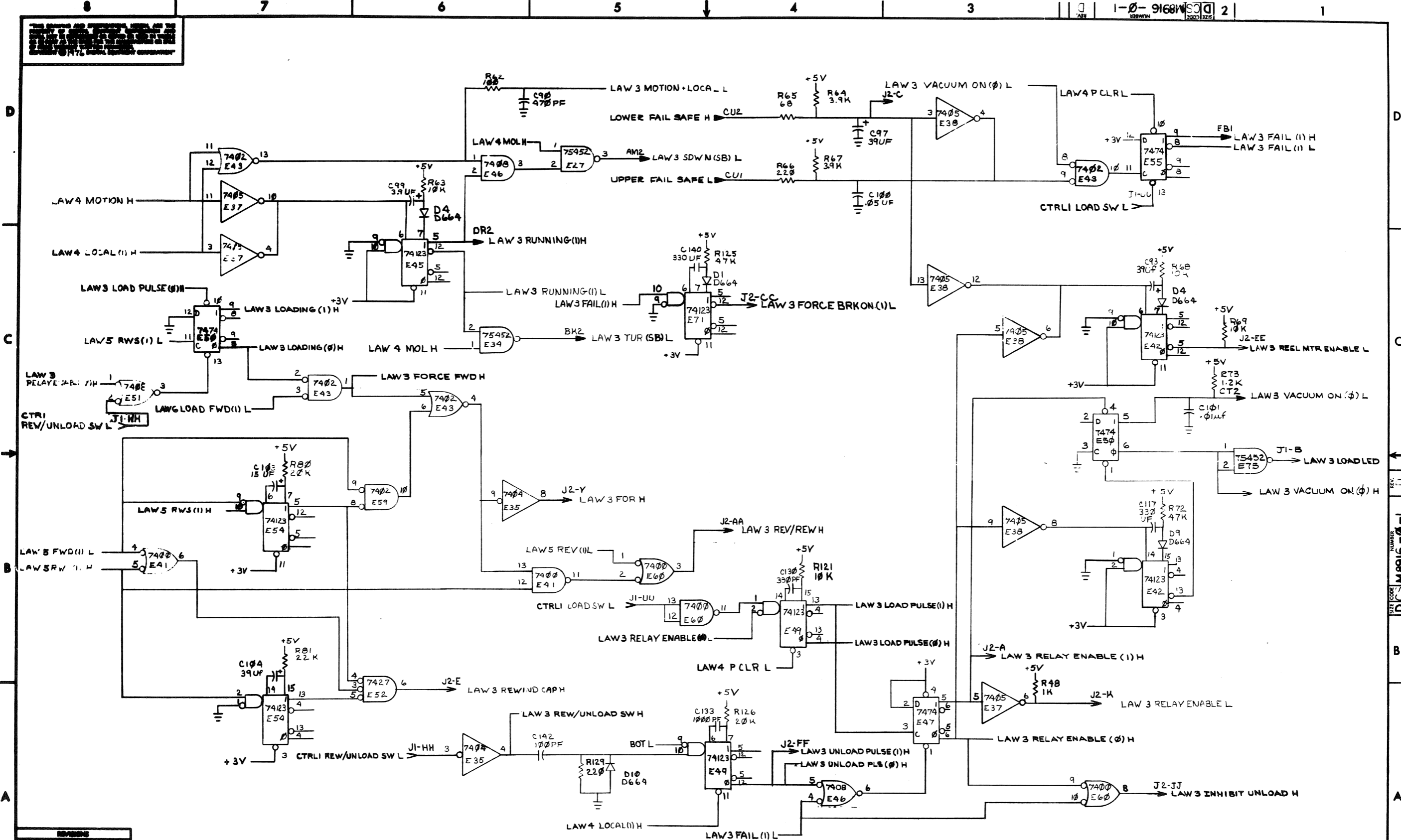
4

3

2

1

THIS BOARD AND ASSOCIATED WIRING ARE THE PROPERTY OF THE UNITED STATES GOVERNMENT. IT IS TO BE REPRODUCED AND TRANSMITTED IN ANY FORM AND BY ANY MEANS, ELECTRONIC OR MECHANICAL, INCLUDING PHOTOCOPYING, RECORDING, OR BY ANY INFORMATION STORAGE AND RETRIEVAL SYSTEM, WITHOUT PERMISSION IN WRITING FROM THE NATIONAL BUREAU OF STANDARDS.



REV.	CHANGE NO.	DATE

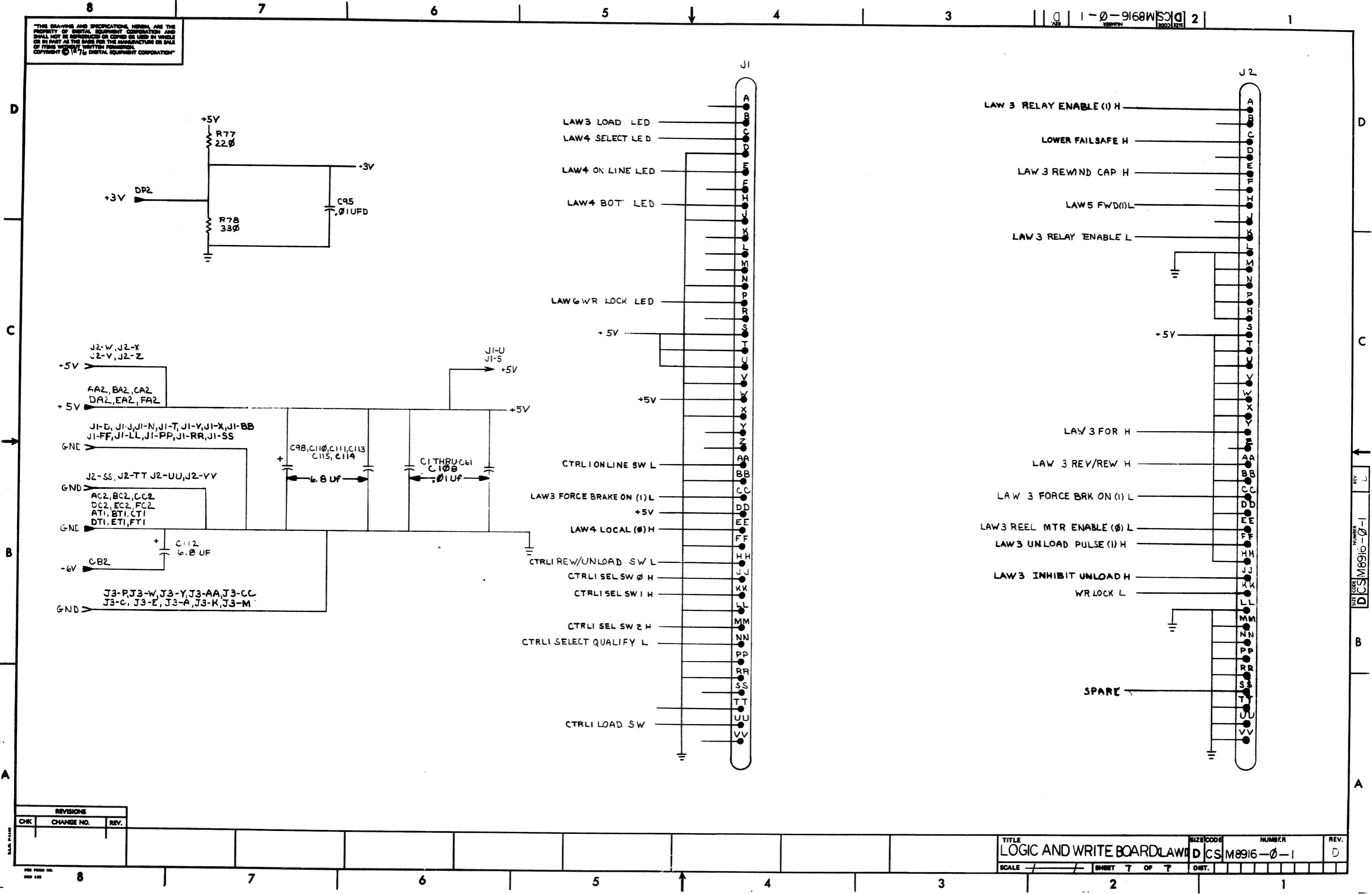






"THE DRAWING AND SPECIFICATIONS HEREIN ARE THE PROPERTY OF DIGITAL EQUIPMENT CORPORATION AND SHALL NOT BE REPRODUCED OR COPIED OR USED IN WHOLE OR IN PART AS THE BASIS FOR THE MANUFACTURE OR SALE OF ITEMS WITHOUT WRITTEN PERMISSION. COPYRIGHT © 1976 DIGITAL EQUIPMENT CORPORATION"

1-0-9168W [CS] M8916-0-1 2



REVISIONS		
CHK	CHANGE NO.	REV.

TITLE	LOGIC AND WRITE BOARD	SIZE CODE	D	NUMBER	CS M8916-0-1	REV.	D
SCALE		SHEET	7	OF	7	DIST.	

REV. L  
NUMBER  
CS M8916-0-1