

REWORK WIRE ADDS

61 ADD ON SIDE 1, A WIRE FROM E7 PIN 15 TO E1 PIN 3

62 ADD ON SIDE 1, A WIRE FROM E4 PIN 5 TO E17 PIN 2

63 ADD ON SIDE 1, A WIRE FROM E4 PIN 13 TO E18 PIN 15

NOTES:

ITEM *56 ARE WIRE WRAP PINS.
W2 THRU W18

STEP	Y AXIS	STEP	TIMES
REPORT	X AXIS	STEP	TIMES

CHANGE NO	REV	DATE	BY	CHKD
1	F	1/28/82	W. HAWN	M. L. W.
2	H	2/2/82	M. L. W.	M. L. W.
3	J	2/2/82	M. L. W.	M. L. W.

ETCH REV. 0-P2

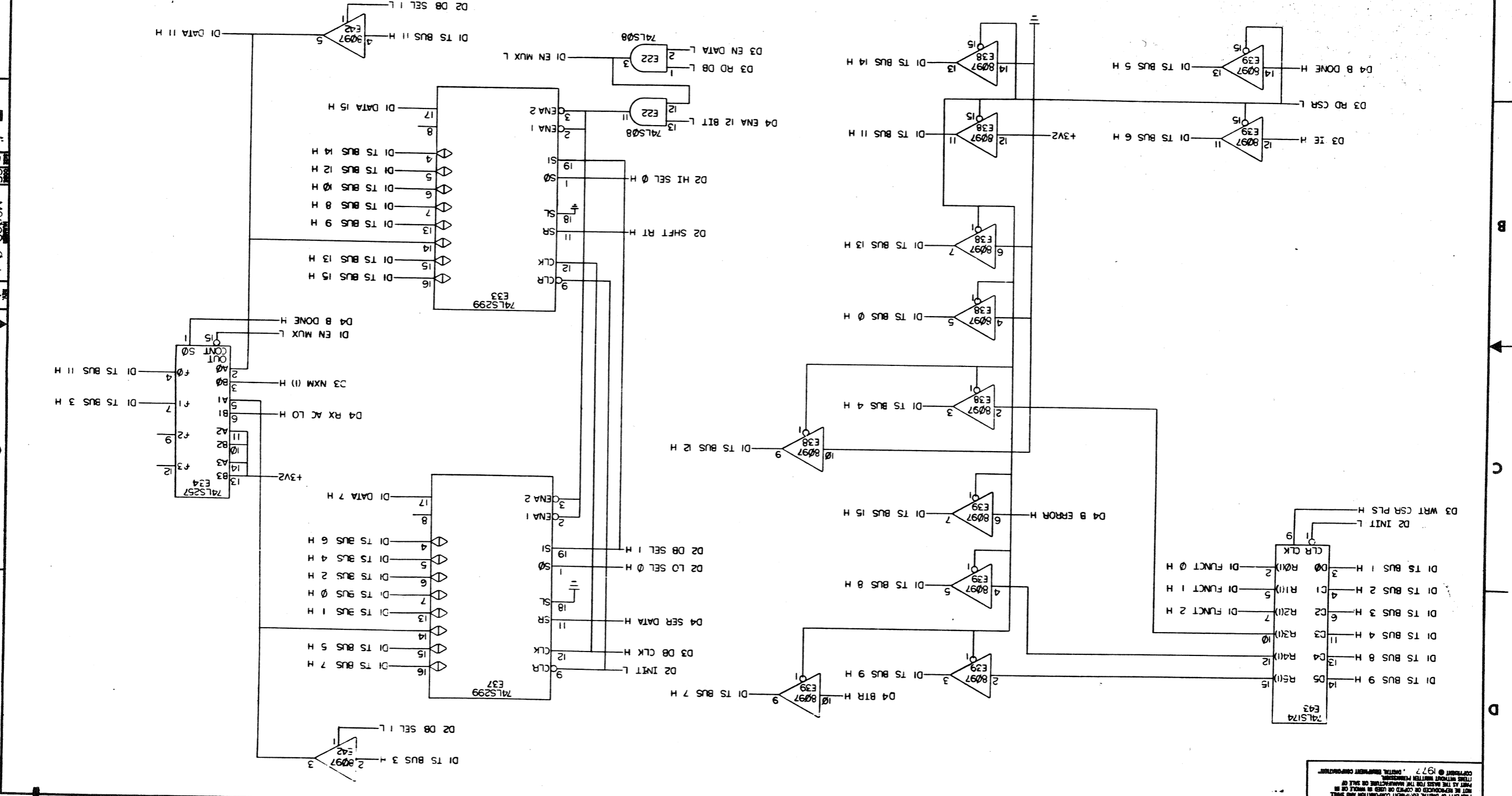
SIGNATURES	DATE	TITLE
DRN. J. FITZGERALD	1/28/82	FXV21 LSII
CHK'D. [Signature]	1/28/82	RXC2 CONTROLLER
MECH. ENG. [Signature]	2/2/82	
PROJ. ENG. [Signature]	2/2/82	
PROD. [Signature]	2/2/82	
SCALE 2/1		SIZE CODE NUMBER
SHT. 1 OF 1		D UA M8029-0-0 J
NEXT NUMBER RESV. B-00-M8029-2		

LINE	ITEM	DOCUMENT NUMBER	PART NUMBER	DESCRIPTION	QTY PER VARIATION 00	REFERENCE DESIGNATOR
31	31		1911579-00	8641 TRANSCEIVER,BUS,QUA	1	E1
32	32		1912647-00	LS257 MUX 1 OF 2 (QUAD)	1	E34
33	33		1912697-00	LS174 FF-D HEX W/CLEAR	1	E43
34	34		1912729-00	DC 004 PROTOCOL,REG. SELECT	1	E27
35	35		1912730-00	DC 003 INTERRUPT,2 CIRCUIT	1	E26
36	36		1912799-00	LS00 NAND-GATE-QUAD 2IN,F	1	E9
37	37		1912801-00	LS02 NOR-GATE-QUAD 2IN	3	E3,E11,E21
38	38		1912803-00	LS04 INVERTER GATE,HEX	2	E15,E19
39	39		1912805-00	LS08 AND GATE-QUAD 2IN,PO	1	E22
40	40		1912807-00	LS10 NAND GATE-TRIPLE 3IN	2	E17,E30
41	41		1912816-00	LS32 OR GATE-QUAD 2IN,POS	3	E2,E28,E40
42	42		1912824-00	LS74 FF-D DUAL,EDGE TRIGG	3	E10,E12,E29
43	43		1912849-00	LS161 COUNTER,SYNCHR,4BIT	1	E32
44	44		1912868-00	LS299 SHIFT REG. 8-BIT UNI	2	E33,E37
45	45		1913040-00	DC 005 TRANSCEIVER 4BIT	4	E31,E36,E41,E45
46	46		1914035-00	DC 006 BIPOLAR,BUS ADDRESS	2	E46,E47
47	47		1914038-00	DC 010 BIPOLAR,MEM ADDRESS,L	1	E7
48	48		1811660-12	OSCILLATOR, XTAL 8.200 MHZ	1	E8
49	49		1912821-00	LS54 A-O-I GATE,3-2-2-3IN	1	E13
50	50		1910652-00	74174 FF-D HEX	1	E18
51	51		1909686-00	7404 INVERTER GATE-HEX 1I	1	E23
52	52		1911521-00	7432 OR GATE-QUAD 2IN, PO	1	E4
53	53		23065B1-00	B1-01	1	E24
54	54		9006732-00	EYELET,ROLLED 0.1210DX0.219	4	
55	55		9009337-06	HANDLE, FLIP CHIP, MAGENTA	1	
56	56		9009149-01	PIN,STAKING 0.235 HX0.345LG SQUA	34	
57	57		9009185-00	JUMPER, WIRE, INSULATED, BLACK B	1	W1
58	58		9009781-00	SPACER, MODULE, MAGENTA	1	
59	59		9105740-55	WIRE(WRAP)30AWG UL1423	12	W2-W5,W8-W12,W14,W15,W17
60	60		1303114-00	1.0 K .25 W 1.0 % RN55D-F10	1	R15
61	61		1209941-03	PCB,HEADER LATCH	1	
62	62		1209941-04	PCB,HEADER LATCH	1	
63	63		1001610-01	*** THIS ITEM IS NOT USED ***	-	
64	64		1301425-00	300.0 .25 W 5.0 % CC	1	R31
65	65	D-EC-5013080-0-0		ETCH CUT DRAWING	0	

D	I	G	I	T	A	L	TITLE	SECTION A OF A	SIZE	CODE	DOCUMENT NUMBER	REV
							RXV21 LSI11 RX02 CONTROLLER		K	PL	MS029-0-DBF	H

REV	CHG	CHANGE NO.	REV
1	1	1	A
2	1	1	B
3	1	1	C
4	1	1	D
5	1	1	E
6	1	1	F
7	1	1	G
8	1	1	H
9	1	1	I
10	1	1	J

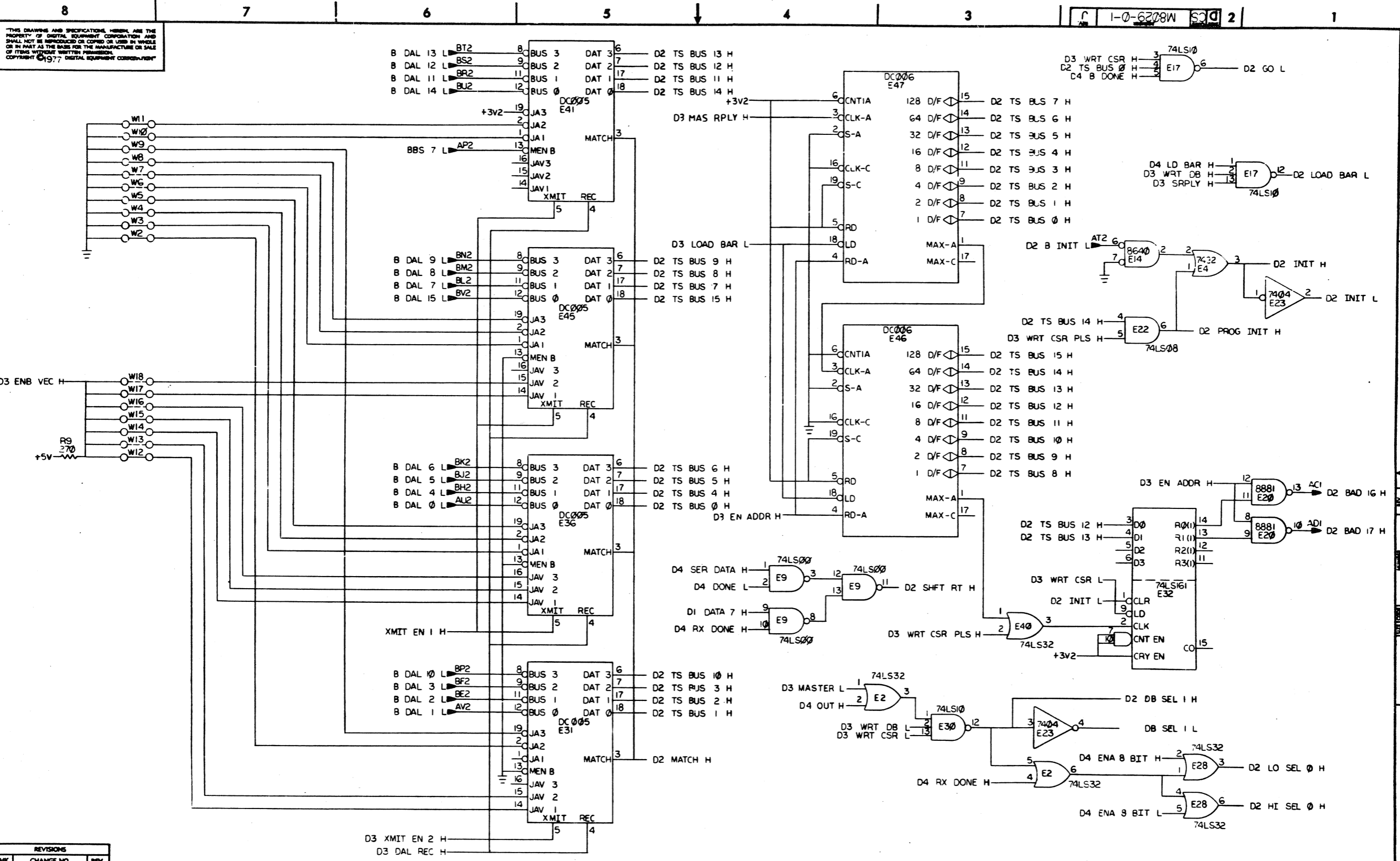
REV	REV	REV	REV	REV	REV
1	2	3	4	5	6
1	2	3	4	5	6
1	2	3	4	5	6



REV	REV	REV	REV	REV	REV
1	2	3	4	5	6
1	2	3	4	5	6
1	2	3	4	5	6

THIS DRAWING AND SPECIFICATIONS HEREIN ARE THE PROPERTY OF DIGITAL EQUIPMENT CORPORATION AND SHALL NOT BE REPRODUCED OR COPIED OR USED IN WHOLE OR IN PART AS BASIS FOR MANUFACTURE OR SALE OF THIS EQUIPMENT WITHOUT THE WRITTEN PERMISSION OF CORPORATION © 1977, DIGITAL EQUIPMENT CORPORATION

THIS DRAWING AND SPECIFICATIONS HEREIN ARE THE PROPERTY OF DIGITAL EQUIPMENT CORPORATION AND SHALL NOT BE REPRODUCED OR COPIED OR USED IN WHOLE OR IN PART AS THE BASIS FOR THE MANUFACTURE OR SALE OF ITEMS WITHOUT WRITTEN PERMISSION. COPYRIGHT © 1977 DIGITAL EQUIPMENT CORPORATION

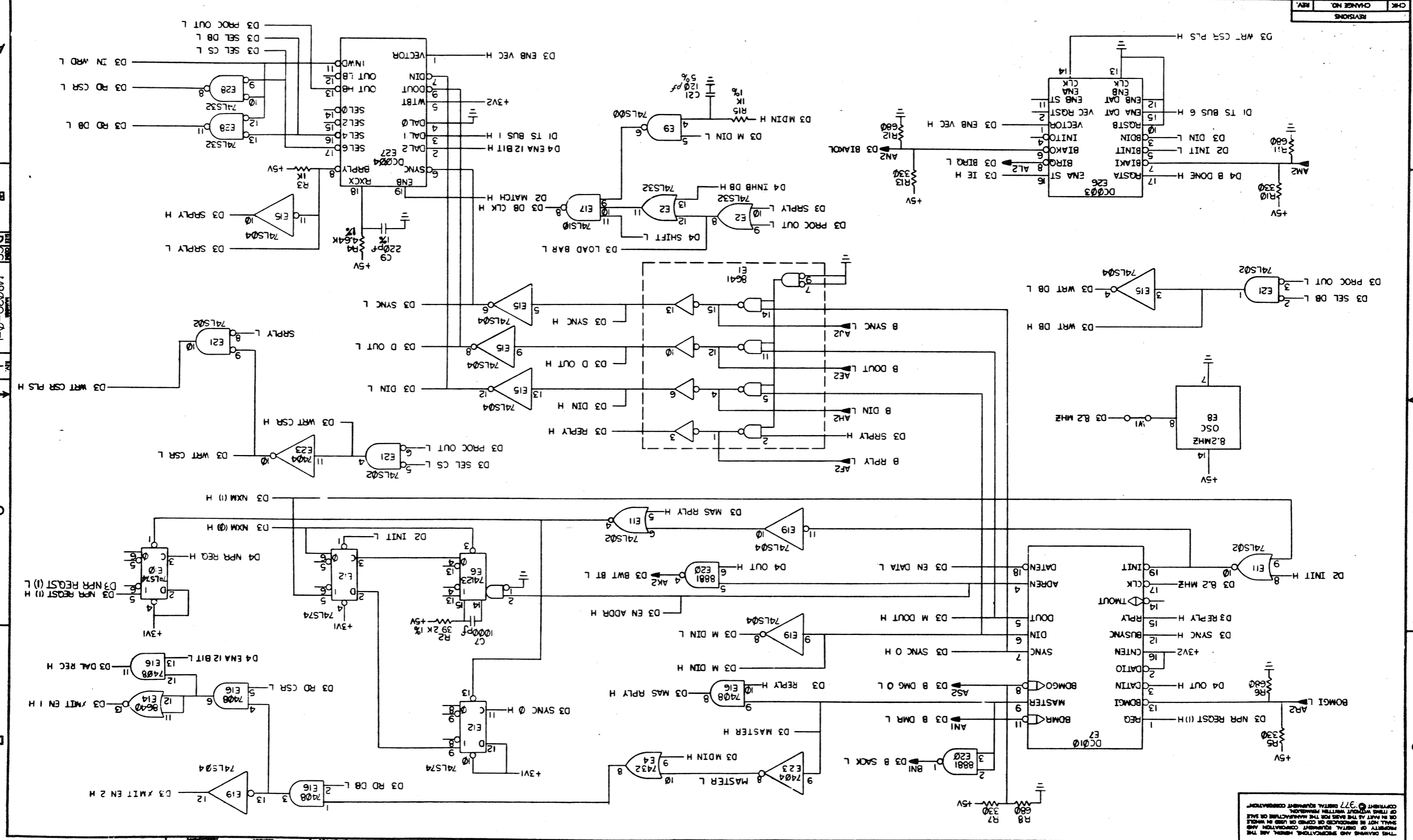


REVISIONS		
CHK	CHANGE NO.	REV.

TITLE	(D2)	SIZE	NUMBER	REV.
RXV21 LSIII CONTROLLER	DCS	M8029-0-1	J	
SCALE	SHEET	OF	DIST.	
	2	4		

DCS M8029-0-1

REV	CHG	NO	REASON



THIS DRAWING AND SPECIFICATIONS HEREAFTER ARE THE PROPERTY OF DIGITAL EQUIPMENT CORPORATION AND SHALL NOT BE REPRODUCED OR USED IN ANY MANNER WITHOUT WRITTEN PERMISSION OF DIGITAL EQUIPMENT CORPORATION.

"THIS DRAWING AND SPECIFICATIONS HEREIN ARE THE PROPERTY OF DIGITAL EQUIPMENT CORPORATION AND SHALL NOT BE REPRODUCED OR COPIED OR USED IN WHOLE OR IN PART AS THE BASIS FOR THE MANUFACTURE OR SALE OF ITEMS WITHOUT WRITTEN PERMISSION. COPYRIGHT © 1977 DIGITAL EQUIPMENT CORPORATION"

