

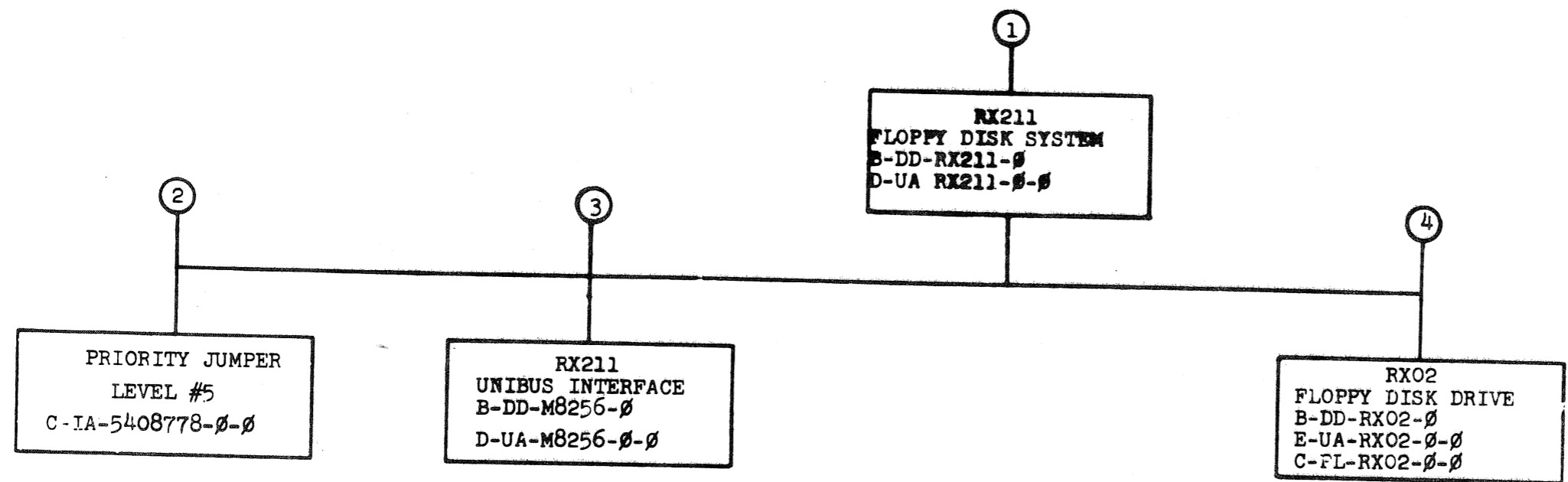






"THIS DRAWING AND SPECIFICATIONS, HEREIN, ARE THE PROPERTY OF DIGITAL EQUIPMENT CORPORATION AND SHALL NOT BE REPRODUCED OR COPIED OR USED IN WHOLE OR IN PART AS THE BASIS FOR THE MANUFACTURE OR SALE OF ITEMS WITHOUT WRITTEN PERMISSION. 1978  
 COPYRIGHT © DIGITAL EQUIPMENT CORPORATION"

REV NUMBER SIZE CODE



WVRS	RX211 FLOPPY DISK SYSTEM	2 OF 3	B DD	NUMBER RX211-Ø	REV A
------	--------------------------	--------	------	-------------------	----------

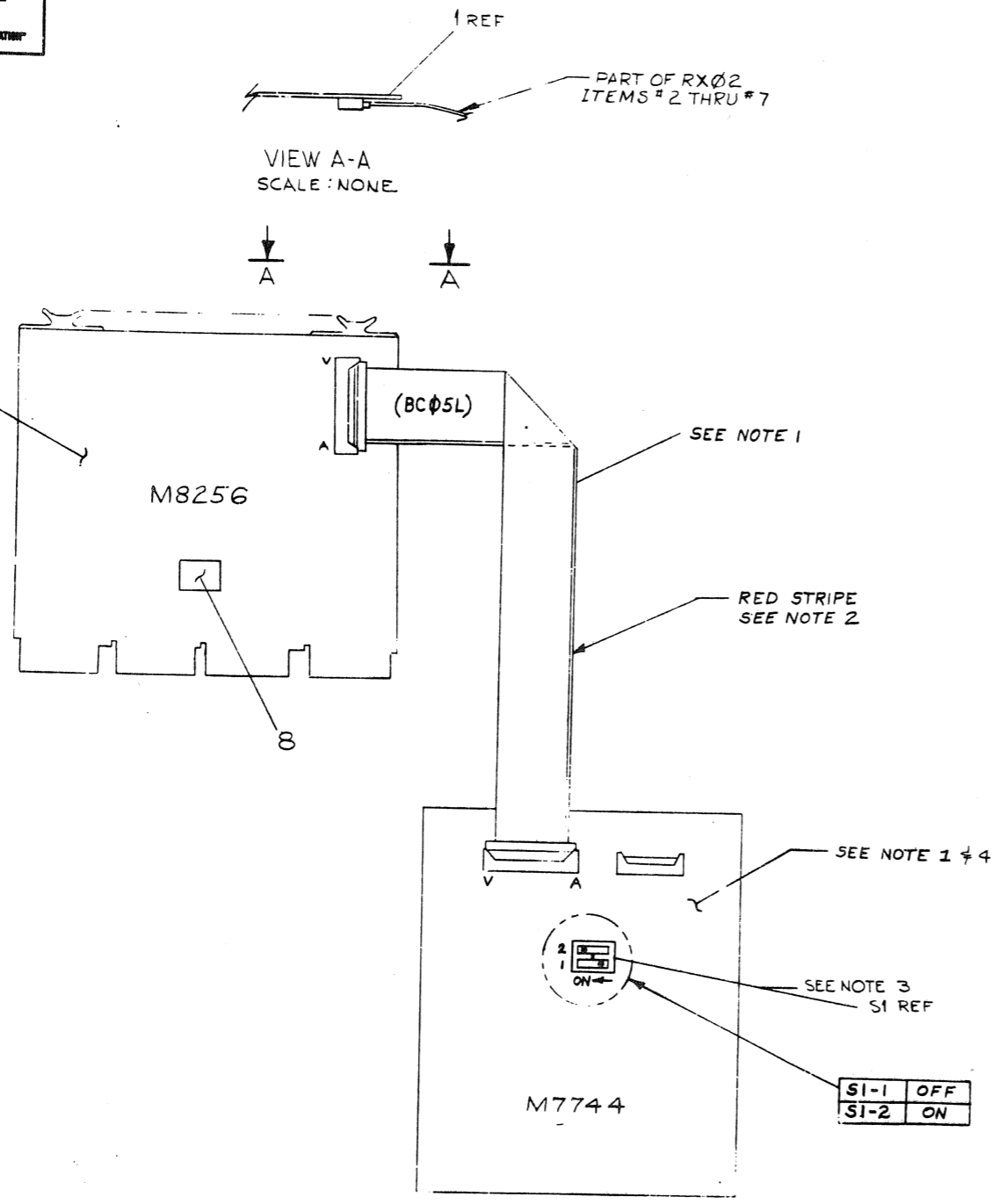


THIS DRAWING AND SPECIFICATIONS HEREBY ARE THE PROPERTY OF DIGITAL EQUIPMENT CORPORATION AND SHALL NOT BE REPRODUCED OR COPIED OR USED IN WHOLE OR IN PART AS THE BASIS FOR THE MANUFACTURE OR SALE OF ITEMS WITHOUT WRITTEN PERMISSION.  
COPYRIGHT © 1978 DIGITAL EQUIPMENT CORPORATION

0-0-112XR 2 1

NUMBER	VARIATION
RX211-φ	RX211 UNIBUS INTERFACE (M8256)
RX211-AA	RX02-AA φ RX211-φ INTERFACE, 110V, 60HZ
RX211-AC	RX02-AC φ " " " " " " " "
RX211-AD	RX02-AD φ " " " " " " " "
RX211-BA	RX02-BA φ " " " " " " " "
RX211-BC	RX02-BC φ " " " " " " " "
RX211-BD	RX02-BD φ RX211-φ INTERFACE, 230V, 50 HZ

- NOTES:
1. MODEL 1177 F CABLE ASSY BC05L ARE SUPPLIED WITH THE RX02 FLOPPY DISK DRIVE ASSY.
  2. RED STRIPE ON BC05L CABLE INDICATES PIN 1 ON THE CONNECTOR.
  3. THE FLOPPY DISK CONTROLLER BOARD (M7744) MUST BE SWITCHED CORRECTLY FOR PROPER OPERATION WITH THE RX211-φ UNIBUS INTERFACE M8256. SEE USER'S GUIDE EK RX02-UG.
  4. ITEMS #2 THRU #7 ARE NOT SHOWN.



QUANTITY & VARIATION	DESCRIPTION	DWG./PART NO.	ITEM NO.
-	PACKAGING INSTR. - CUSTOMER	A-SP-3700193-φ-φ	REF
-	PACKAGING INSTR. - INTERPLANT	A-SP-3700185-φ-φ	REF
1	PRIORITY JUMPER, LEVEL'S	CJA-5408779-φ-φ	8
1	RX02-BD FLOPPY DISK DRIVE	E-UA-RX02-BD-φ	7
1	RX02-BC FLOPPY DISK DRIVE	E-UA-RX02-BC-φ	6
1	RX02-BA FLOPPY DISK DRIVE	E-UA-RX02-BA-φ	5
1	RX02-AD FLOPPY DISK DRIVE	E-UA-RX02-AD-φ	4
1	RX02-AC FLOPPY DISK DRIVE	E-UA-RX02-AC-φ	3
1	RX02-AA FLOPPY DISK DRIVE	E-UA-RX02-AA-φ	2
1	RX211 UNIBUS INTERFACE	D-UA-M8256-φ-φ	1

ANGLES 40° 30'	CLASS OF ACCURACY (CHECK ONE)	NOMINAL DIMENSION RANGE INCHES					
		OVER 0 TO 0.2	OVER 0.2 TO 1.2	OVER 1.2 TO 4.0	OVER 4.0 TO 12.0	OVER 12.0 TO 40.0	OVER 40.0 TO ∞
SURFACE QUALITY IN		±.004	±.008	±.012	±.016	±.024	±.04
QUANTITY & VARIATION	MICROINCHES	PREFERRED	±.012	±.016	±.024	±.032	±.04

THIRD ANGLE PROJECTION	DRN: BOR MORIN 11/24/78	FIRST USED ON	PDP11
REMOVE BURRS AND BREAK SHARP CORNERS	CHK'D: [Signature]	ENG: [Signature]	TITLE: RX211 FLOPPY DISK SYSTEM
DO NOT SCALE DWG	PROJ. ENG: [Signature]	PROD. IN: [Signature]	SIZE CODE: B-DD-RX211-φ
MATERIAL	SCALE: NONE	SHEET: 1 OF 1	NUMBER: RX211-φ-φ
FINISH	DIST.		REV.

DRAWING NO.	NO. OF SHTS.	PART NO.	DESCRIPTION	REVISIONS																		
				1	2	3	4	5	6	7	8	9	10	11	12							
B-DD-M8256-0	1		RX211 UNIBUS INTERFACE	*	A																	
D-UA-M8256-0-0	3		RX211 UNIBUS INTERFACE	A	B																	
K-PL-M8256-0-DBP	-		DATA BASE PARTS LIST (M8256)	A	B																	
D-CS-M8256-0-1	4		RX211 UNIBUS INTERFACE	A	B																	
D-MD-5013309-0-0	4		DRILL & ETCH DRAWING	A	A																	
		5013309	ETCHED BOARD	B	B																	
K-PC-M8256-0-DBC	-		P.C. DESIGN DATA BASE (M8256)	A	A																	

**NOTES:**

REVISIONS		DATE	CHG NO.	REV. #
		9-78	ML001	A

"THIS DRAWING AND SPECIFICATIONS, HEREIN, ARE THE PROPERTY OF DIGITAL EQUIPMENT CORPORATION AND SHALL NOT BE REPRODUCED OR COPIED OR USED IN WHOLE OR IN PART AS THE BASIS FOR THE MANUFACTURE OR SALE OF ITEMS WITHOUT WRITTEN PERMISSION.  
 COPYRIGHT © 1978 DIGITAL EQUIPMENT CORPORATION

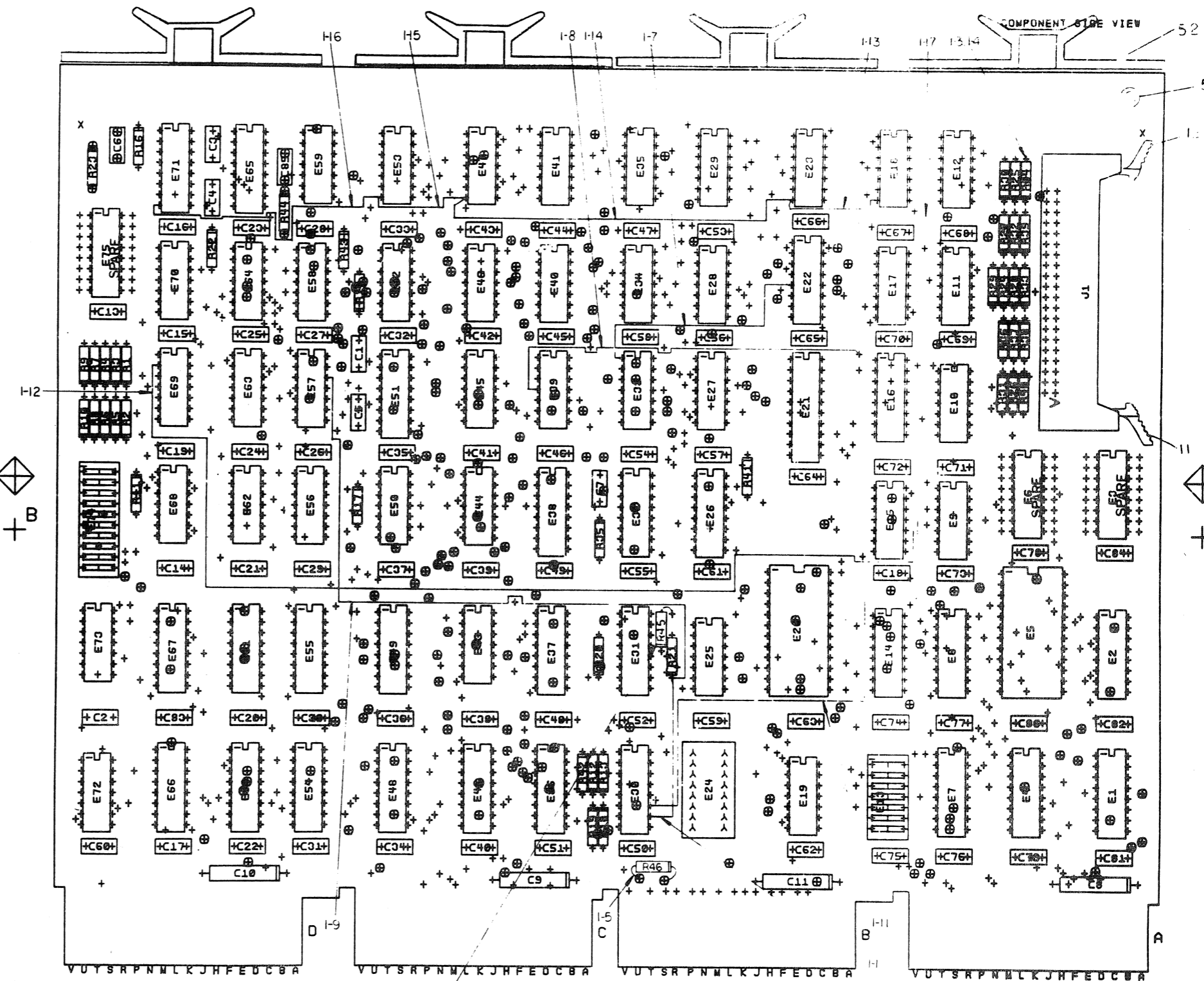


USED ON OPTION/MODEL RX02	DRN. P. BOSSMAN 5/8/78	TITLE RX211 UNIBUS INTERFACE
	CHK'D <i>P. Bossman</i> 5/9/78	SIZE CODE B DD
	ENG. <i>George L. Ryan</i> 5/10/78	NUMBER M8256-0
	PROD. <i>Robert Boston</i> 5-10-78	REV. A
SHEET 1 OF 1		

THIS DRAWING IS THE PROPERTY OF THE  
 UNITED STATES GOVERNMENT AND IS  
 LOANED TO YOU BY THE NATIONAL BUREAU  
 OF STANDARDS. IT IS TO BE REPRODUCED  
 WITHOUT LIMITATION OF ANY KIND FOR  
 THE GOVERNMENT OF THE UNITED STATES  
 OF AMERICA.

**REWORK INSTRUCTIONS**

- ECOM 1  
 ETCH CUTS SIDE 2:  
 I-1 E33-1 (TWO PLACES)  
 I-2 E69-2  
 COMPONENT DELETE:  
 I-3 RES. R34 120A (P/N 1300247-00)  
 COMPONENT ADDS:  
 I-4 RES R34 300A (P/N 1301425-00)  
 I-5 RES R46 390A (P/N 1300309-00)  
 I-6 RES R45 180A (P/N 1301322-00)  
 WIRE ADDS SIDE 1, #30 WIRE - ITEM 54  
 I-7 E22-5 TO E33-1  
 I-8 E39-4 TO FT NEAR E16-1  
 I-9 E57-12 TO LOWER END OF R21  
 I-10 E30-10 TO LOWER END OF R21  
 I-11 E30-11 TO E15-11  
 I-12 E15-10 TO E69-2  
 WIRE ADDS SIDE 1, #22 BUSS ITEM 55, INSULATE  
 WITH ITEM 56 (STEPS I-13 THRU I-16 ONLY)  
 I-13 GND LAND OF E18 TO GND LAND OF E23  
 I-14 GND LAND OF E23 TO GND LAND OF E47  
 I-15 GND LAND OF E47 TO GND LAND OF E53  
 I-16 GND LAND OF E53 TO GND LAND OF E71  
 I-17 GND LAND OF E12 TO GND LAND OF E18



**NOTES:**


CHG	NO	REV	DATE	BY	APP
1	1	1	5-10-78	...	...
2	1	1	5-10-78	...	...
3	1	1	5-10-78	...	...
4	1	1	5-10-78	...	...

ETCH REV.	B
P.C. DESIGN DATA BASE REV.	BL

SIGNATURES	DATE	digital
DRN.	5-10-78	TITLE RX211 UNIBUS INTERFACE
CHK'D.	5-10-78	
ENC.	5-10-78	
PROJ. ENG.	5-10-78	
PROD.	5-10-78	
SCALE	2/1	SIZE CODE
SHT. OF	3	NUMBER
NEXT HIGHER ASSY.	B-DD-W0256-0	UA M8256-0-0