

CUSTOMER PRINT SET		MECHANICAL					CUSTOMER PRINT SET		ELECTRICAL						
	MFG. SET	FIND NO.	DRAWING NO.	REV	NO OF SHT	DESCRIPTION	OPTION NO / FILE DATE		MFG. SET	FIND NO.	DRAWING NO.	REV	NO OF SHT	DESCRIPTION	OPTION NO / FILE DATE
		1	E-UA-H771-0-0	F	2	H771 POWER SUPPLY ASSY		X		1	B-DD-H771-0	E	3	H771 POWER SUPPLY	
			E-MD-7412667-0-0	D	1	CHASSIS, POWER SUPPLY		X			D-CS-H771-A-1	H	1	H771-A CIRCUIT SCHEMATIC	
			D-AD-7010680-0-0	C	1	TRANSFORMER ASSY, 60 HZ		X			D-CS-H771-C-1	C	1	H771-C CIRCUIT SCHEMATIC	
			D-AD-7010704-0-0	E	1	TRANSFORMER ASSY, 50 HZ		X			D-CS-H771-D-1	C	1	H771-D CIRCUIT SCHEMATIC	
			C-AD-7010697-0-0	B	1	POWER CORD ASSY					A-SP-H771-0-1			ENGINEERING SPECIFICATION	
			D-IA-7010972-0-0	C	1	JUMPER									
			C-MD-7413344-0-0		1	BRACKET, FUSE MOUNTING									
			A-DC-7413403-0-0		1	DECAL, H771-A									
			A-DC-7414250-0-0	A	1	DECAL, H771-C									
			A-DC-7414251-0-0	A	1	DECAL, H771-D									
		2	L-AD-7010718-0-0		1	RX01 POWER BOARD ASSY				2	D-AD-7010718-0-0	*	1	RX01 POWER BOARD ASSY	
			D-IA-7010854-0-0	C	1	READ/WRITE BOARD HARNESS		X			D-CS-5411398-0-1	*	1	RX01 POWER BOARD ASSY	
			D-IA-7010853-0-0	B	1	DISK CONTROL BOARD HARNESS		X							

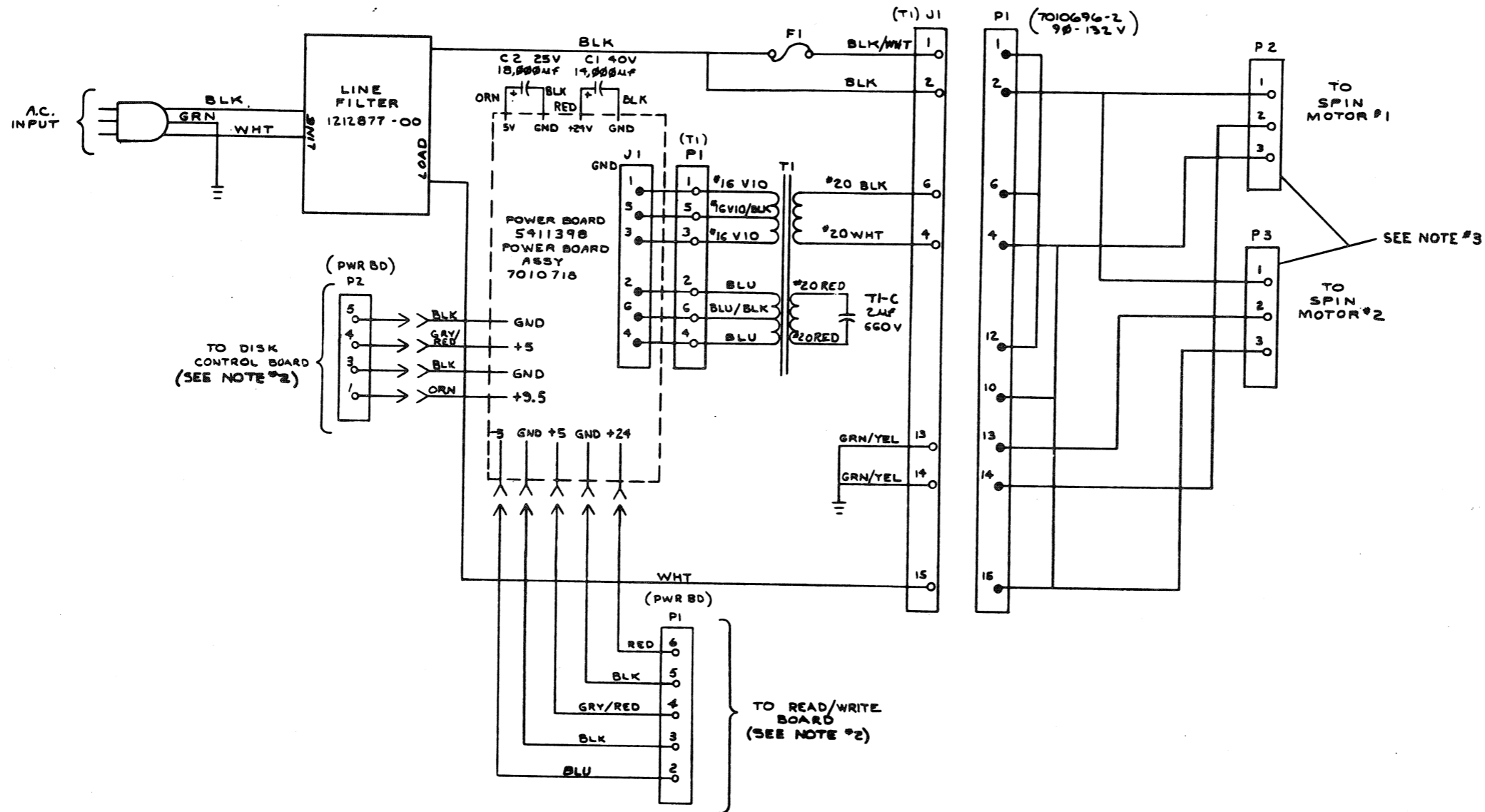
CUSTOMER PRINT SET CODES  
 X = PRINT OF DOCUMENT INCLUDED IN PRINT SET  
 C = INCLUDES ALL PRINTS INDICATED ON DOCUMENT  
 S = CONFIDENTIAL AUTHORIZED SIGNATURE REQUIRED

TITLE: H771 POWER SUPPLY  
 SHEET 3 OF 3  
 SIZE CODE: B DD  
 NUMBER: H771-0  
 REV: F

THIS DRAWING AND SPECIFICATIONS HEREIN ARE THE PROPERTY OF DIGITAL EQUIPMENT CORPORATION AND SHALL NOT BE REPRODUCED OR COPIED OR USED IN WHOLE OR IN PART AS THE BASIS FOR THE MANUFACTURE OR SALE OF ITEMS WITHOUT WRITTEN PERMISSION. COPYRIGHT © 1975, DIGITAL EQUIPMENT CORPORATION

NOTES:

1. ALL WIRE TO BE #18 AWG UNLESS OTHERWISE SPECIFIED.
2. SLOT BETWEEN P1-4 + P1-5 CONTAINS A DUMMY PIN. SLOT BETWEEN P2-4 + P2-5 ALSO CONTAINS A DUMMY PIN.
3. NO DOUBLE CRIMPS ARE ALLOWED IN MOLEX CONNECTOR(S) TO MOTOR(S).



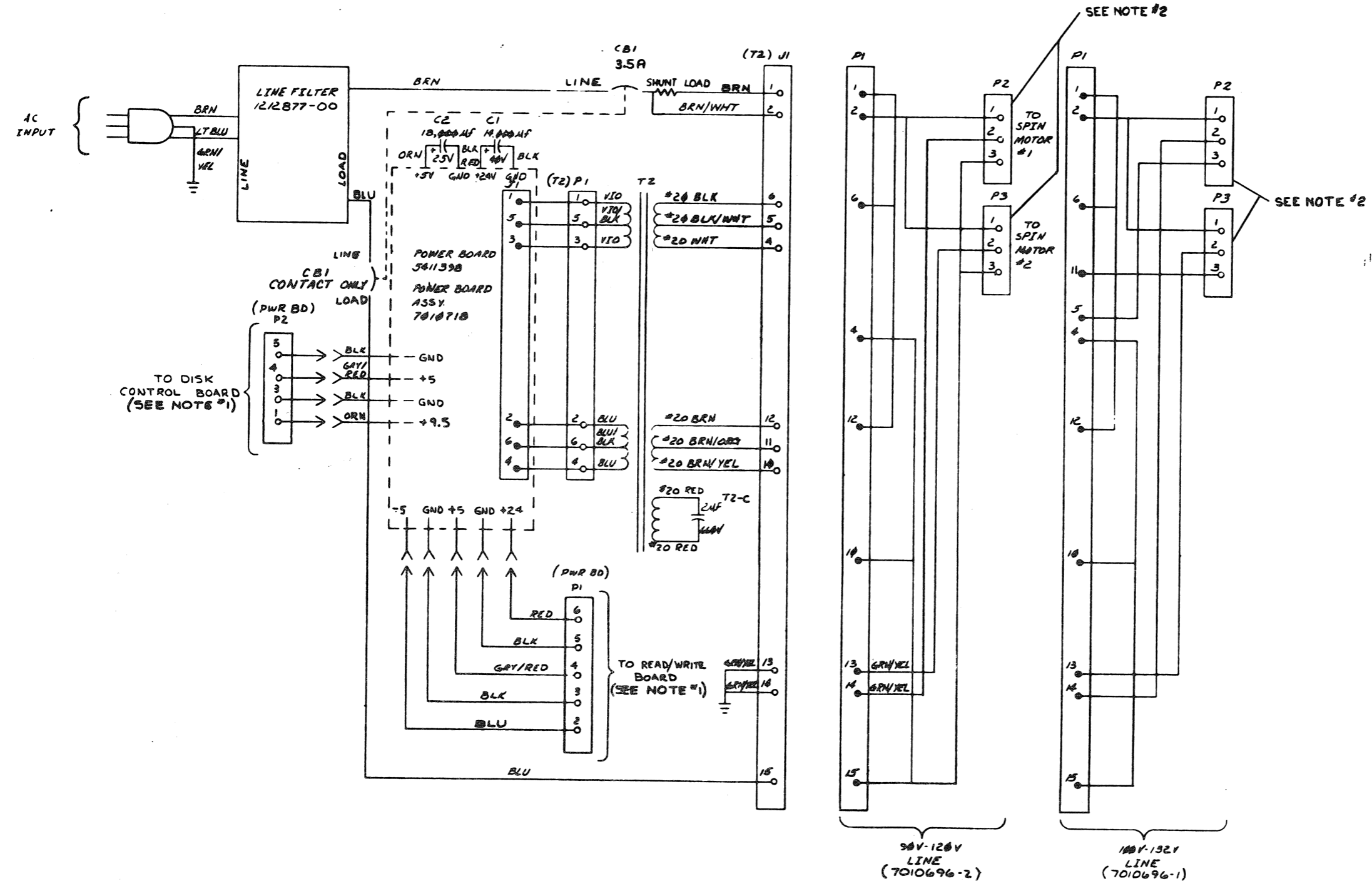
REV.	DATE	BY	CHK'D
A	1/22/75	B. HAZEN	B. HAZEN
B	3-18-75	B. HAZEN	B. HAZEN
C	3-18-75	B. HAZEN	B. HAZEN

DRN. D.E. O'Leary	1/22/75	FIRST USED ON	RX01
CHK'D W.F.M.C.	1/20/75	TITLE	H771A POWER CONNECTIONS
ENG. B.W. HAZEN	3-18-75	SIZE	D CS
PROG. ENG. B.W. HAZEN	3-18-75	NUMBER	H771-A-1
NEXT HIGHER ASSY.		REV.	B
E-DD-771-0		SCALE	NONE
SHEET 1 OF 1		DIST.	

THE DRAWING AND SPECIFICATIONS HEREIN ARE THE PROPERTY OF DIGITAL EQUIPMENT CORPORATION AND SHALL NOT BE REPRODUCED OR COPIED OR USED IN WHOLE OR IN PART AS THE BASIS FOR THE MANUFACTURE OR SALE OF ITEMS WITHOUT WRITTEN PERMISSION. COPYRIGHT © 1975, DIGITAL EQUIPMENT CORPORATION

2 of 2 H771-C-1

- NOTES:
1. SLOT BETWEEN PI-4 AND PI-5 CONTAINS A DUMMY PIN. SLOT BETWEEN P2-4 AND P2-5 ALSO CONTAINS A DUMMY PIN.
  2. NO DOUBLE CRIMPS ALLOWED IN MOLEX CONNECTOR(S) TO MOTOR(S).
  3. ALL WIRES TO BE #18 AWG UNLESS OTHERWISE SPECIFIED.

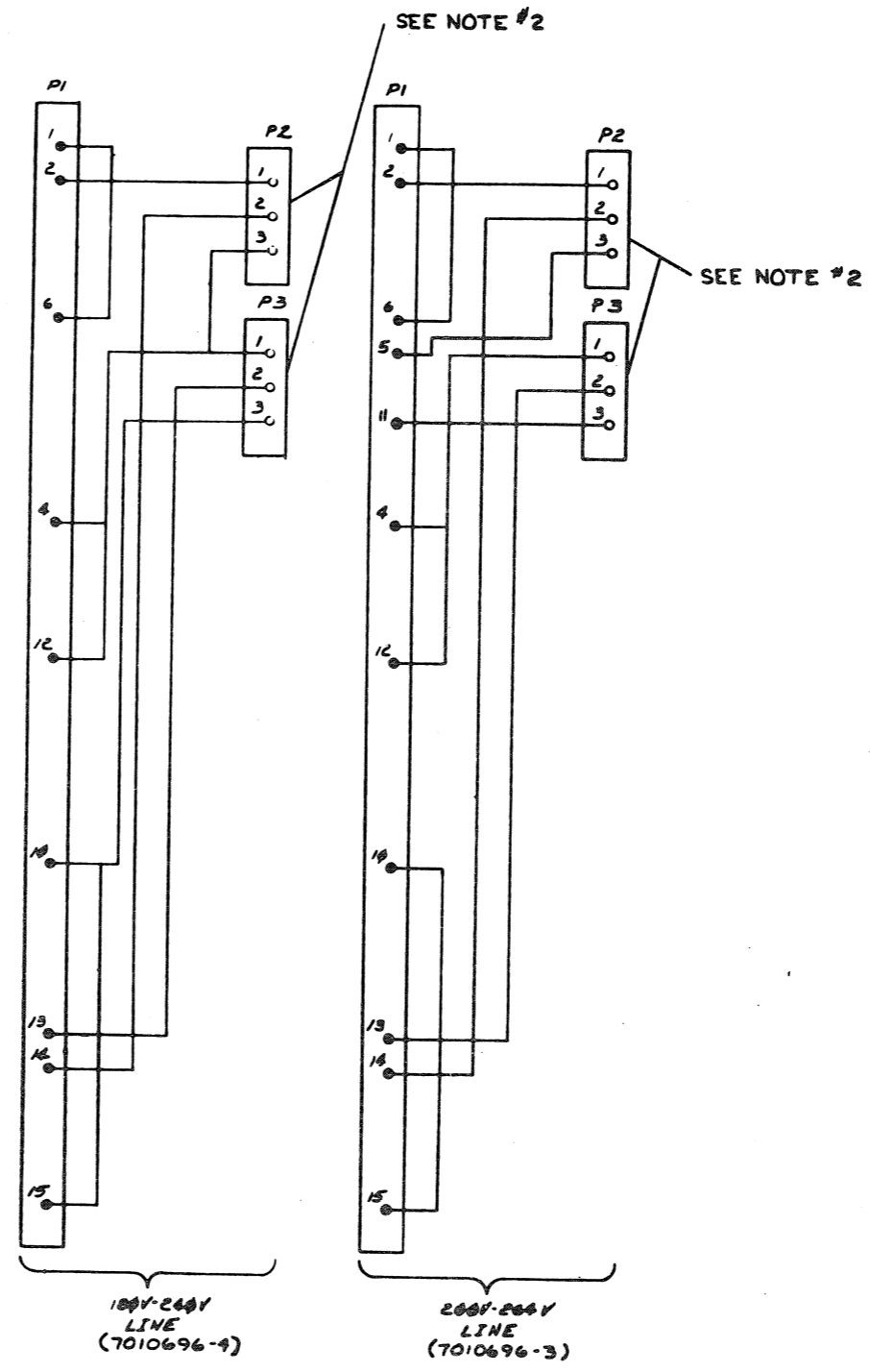
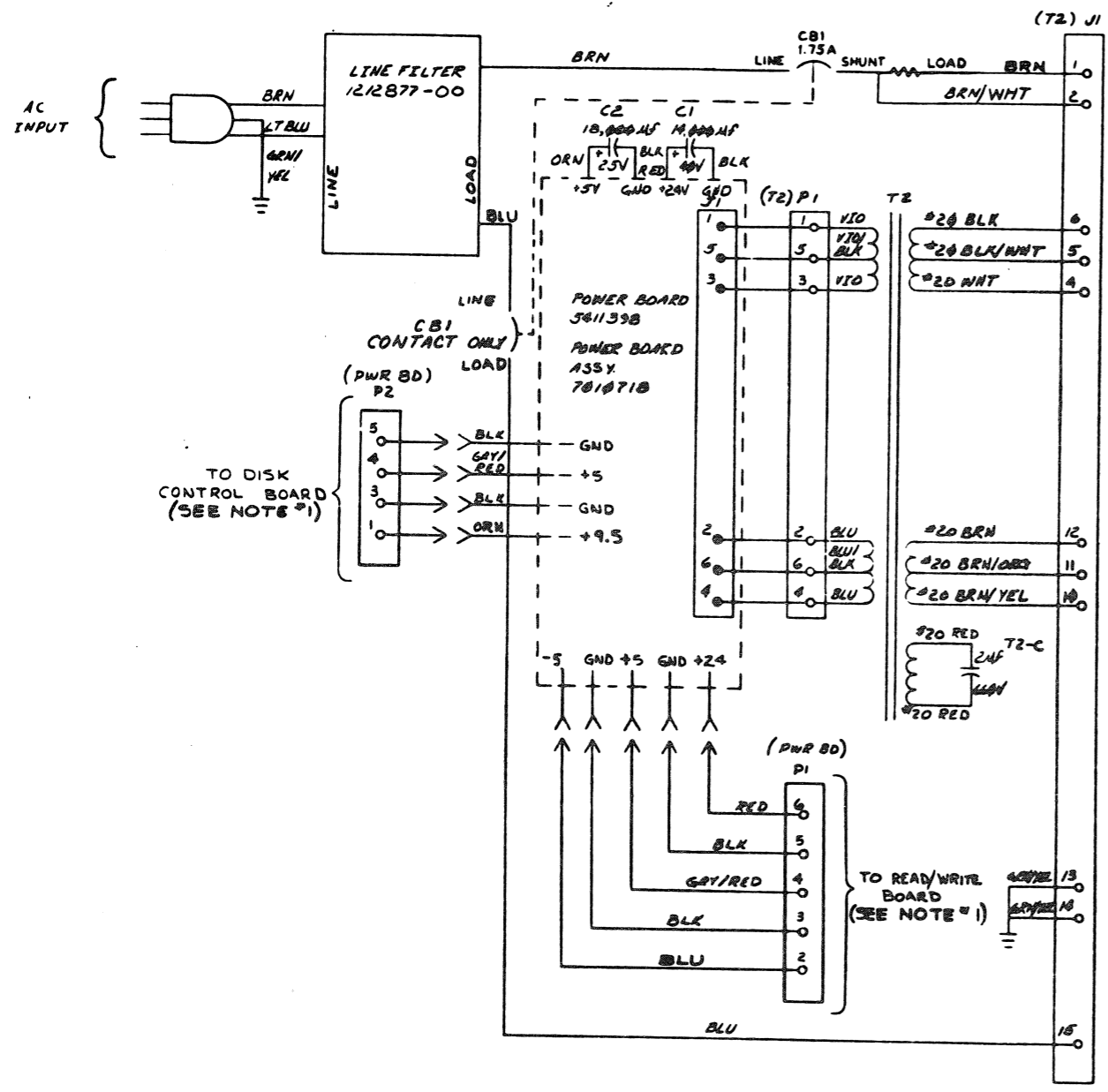


REV.	DATE	BY	CHKD.
1	11/11/75	B. HAZEN	B. HAZEN
2	11/11/75	B. HAZEN	B. HAZEN
3	11/11/75	B. HAZEN	B. HAZEN
4	11/11/75	B. HAZEN	B. HAZEN
5	11/11/75	B. HAZEN	B. HAZEN
6	11/11/75	B. HAZEN	B. HAZEN
7	11/11/75	B. HAZEN	B. HAZEN
8	11/11/75	B. HAZEN	B. HAZEN
9	11/11/75	B. HAZEN	B. HAZEN
10	11/11/75	B. HAZEN	B. HAZEN
11	11/11/75	B. HAZEN	B. HAZEN
12	11/11/75	B. HAZEN	B. HAZEN
13	11/11/75	B. HAZEN	B. HAZEN
14	11/11/75	B. HAZEN	B. HAZEN
15	11/11/75	B. HAZEN	B. HAZEN
16	11/11/75	B. HAZEN	B. HAZEN
17	11/11/75	B. HAZEN	B. HAZEN
18	11/11/75	B. HAZEN	B. HAZEN
19	11/11/75	B. HAZEN	B. HAZEN
20	11/11/75	B. HAZEN	B. HAZEN
21	11/11/75	B. HAZEN	B. HAZEN
22	11/11/75	B. HAZEN	B. HAZEN
23	11/11/75	B. HAZEN	B. HAZEN
24	11/11/75	B. HAZEN	B. HAZEN
25	11/11/75	B. HAZEN	B. HAZEN
26	11/11/75	B. HAZEN	B. HAZEN
27	11/11/75	B. HAZEN	B. HAZEN
28	11/11/75	B. HAZEN	B. HAZEN
29	11/11/75	B. HAZEN	B. HAZEN
30	11/11/75	B. HAZEN	B. HAZEN

DRN. 21/11/75	FIRST USED ON	RX01
CHKD. B. HAZEN	DATE	11/11/75
ENGR. B. HAZEN	TITLE	H771-C POWER CONNECTIONS
PRD. B. HAZEN	SCALE	1 OF 1
PRD. B. HAZEN	SIZE	D CS
PRD. B. HAZEN	CODE	H771-C-1
PRD. B. HAZEN	REV.	C

THE DRAWING AND SPECIFICATIONS HEREON ARE THE PROPERTY OF DIGITAL EQUIPMENT CORPORATION AND SHALL NOT BE REPRODUCED OR COPIED OR USED IN WHOLE OR IN PART AS THE BASIS FOR THE MANUFACTURE OR SALE OF ITEMS WITHOUT WRITTEN PERMISSION. COPYRIGHT © 1975, DIGITAL EQUIPMENT CORPORATION

- NOTES:
1. SLOT BETWEEN PI-4 AND PI-5 CONTAINS A DUMMY PIN, SLOT BETWEEN P2-4 AND P2-5 ALSO CONTAINS A DUMMY PIN.
  2. NO DOUBLE CRIMPS ALLOWED IN MOLEX CONNECTOR(S) TO MOTOR(S).
  3. ALL WIRES TO BE #18AWG UNLESS OTHERWISE SPECIFIED.

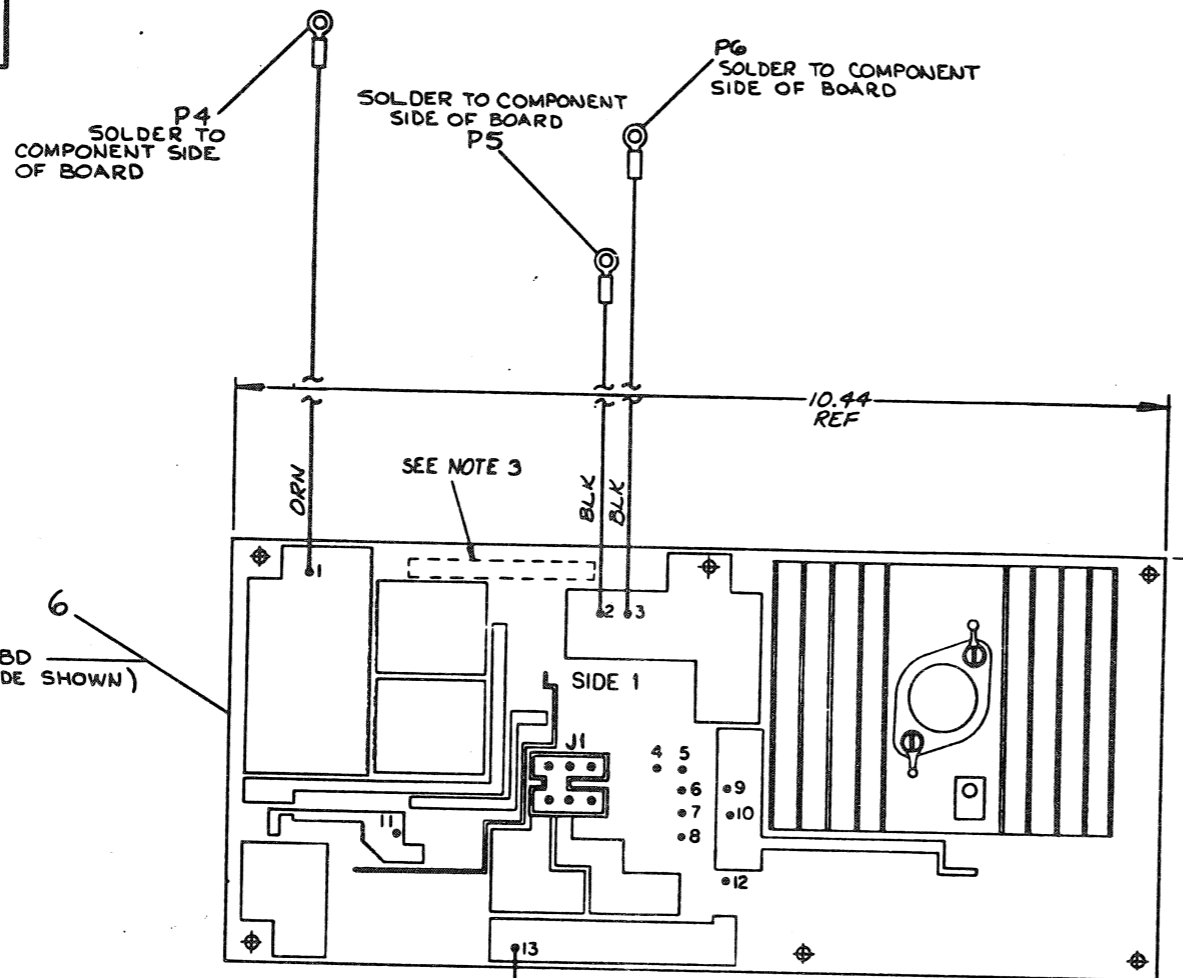


REV.	REV.	REV.
H771-00001	H771-00002	H771-00003
ORIGINATED	BY B. HAZEN	BY B. HAZEN
DATE 12-1-75	DATE 12-1-75	DATE 12-1-75
BY B. HAZEN	BY B. HAZEN	BY B. HAZEN

DRN. 2/1/75	7-30-75	FIRST USED ON	RX01
CHK'D E. KENNEDY	8-5-75	TITLE	H771-D POWER CONNECTIONS
ENGR. R. ALLEN	8-12-75	PROG. ENGR. J. BROWN	8-22-75
PROD. Q. G. GIBSON	8-22-75	NEXT POWER ASSY.	
E-00-H771-D		SCALE	1 OF 1
SIZE CODE	D CS	NUMBER	H771-D-1
REV.			C

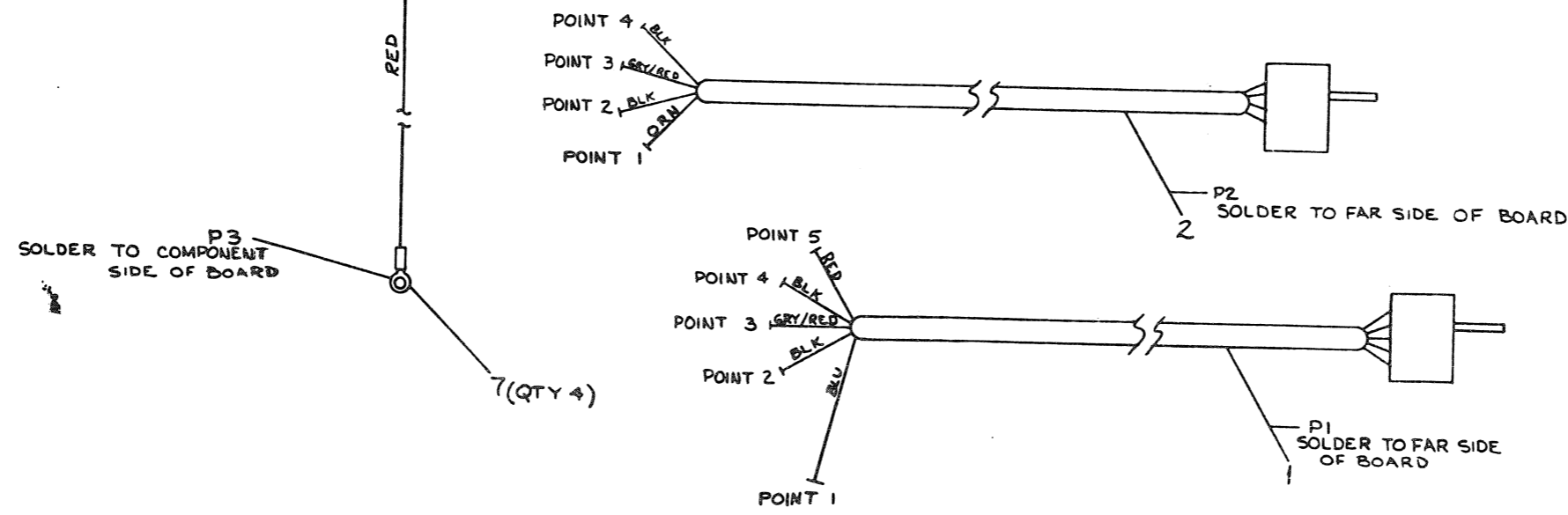
THIS DRAWING AND SPECIFICATIONS HEREAFTER ARE THE PROPERTY OF DIGITAL EQUIPMENT CORPORATION AND SHALL NOT BE REPRODUCED OR COPIED OR USED IN WHOLE OR IN PART AS THE BASIS FOR THE MANUFACTURE OR SALE OF ITEMS WITHOUT WRITTEN PERMISSION. COPYRIGHT © 1975, DIGITAL EQUIPMENT CORPORATION

0-0-81010102010201



ITEM NO.	DESCRIPTION		FROM		TO		LENGTH
	AWG	COLOR	CONN	TERM	CONN	TERM	
1	18	BLU	P1	POINT 1	PWR # 11	SOLDER	
		BLK	P1	POINT 2	PWR # 6		
		GRY/RED	P1	POINT 3	PWR # 9		
		BLK	P1	POINT 4	PWR # 5		
		RED	P1	POINT 5	PWR # 12		
2		ORN	P2	POINT 1	PWR # 4		
		BLK	P2	POINT 2	PWR # 7		
		GRY/RED	P2	POINT 3	PWR # 10		
	18	BLK	P2	POINT 4	PWR # 8		
3	14	RED	P3	ITEM 7	PWR # 13		13 IN ±.25
4	14	BLK	P5	ITEM 7	PWR # 2		7 IN ±.25
5	14	ORN	P4	ITEM 7	PWR # 1		11 IN ±.25
4	14	BLK	P6	ITEM 7	PWR # 3	SOLDER	9 IN ±.25

- NOTES:
1. STRIP LENGTH FOR ITEMS 3, 4 & 5 ARE TO BE .16 LONG.
  2. THE BLACK WIRES ON P1 & P2 CAN BE INTERCHANGED BETWEEN POINTS 5, 6, 7, & 8 ON THE POWER BOARD.
  3. INK STAMP ASS'Y NO. 7010718 IN FIGURES, 13 HIGH WHERE SHOWN.



DESCRIPTION	QTY	QTY	QTY	QTY	QTY	QTY	QTY	QTY	QTY
CONN, SOLDERLESS	9007928-00								7
POWER SUPPLY BOARD, RXØ1	D-ES-5411398-0-1								6
WIRE, 14 AWG, IPVC, ORANGE	9107370-33								5
WIRE, 14 AWG, IPVC, BLACK	9107370-00								4
WIRE, 14 AWG, IPVC, RED	9107370-22								3
HARNESS, DISK CONTROL BOARD	D-IA-7010853-0-0								2
HARNESS, READ/WRITE BOARD	D-IF-7010854-0-0								1

REV.	DESCRIPTION	DATE	BY	CHK'D
1	REVISED TO 7-18-75			
2	REVISED TO 3-18-75			
3	REVISED TO 3-18-75			
4	REVISED TO 3-18-75			
5	REVISED TO 3-18-75			
6	REVISED TO 3-18-75			
7	REVISED TO 3-18-75			
8	REVISED TO 3-18-75			
9	REVISED TO 3-18-75			
10	REVISED TO 3-18-75			

THIRD ANGLE PROJECTION

REMOVE BURRS AND BREAK SHARP CORNERS

DO NOT SCALE DWG

MATERIAL SEE PARTS LIST

FINISH

UNLESS OTHERWISE SPECIFIED DIMENSIONS ARE IN INCHES

ANGLES	ACCURACY	SURFACE QUALITY	VARIATION	FINISH
30°	±.01	IN	±.01	PREPARED

QUANTITY VARIATION

DRN: T. Quillen 1/28/75

CHK'D: M. C. [Signature] 3/15/75

PROJ. ENG. [Signature] 3-18-75

PROD. [Signature] 3/18/75

FIRST USED ON H771

TITLE RXØ1 POWER BOARD ASS'Y

E-UA-H771-0-0

SCALE 1/1

SHEET 1 OF 1

SIZE CODE D

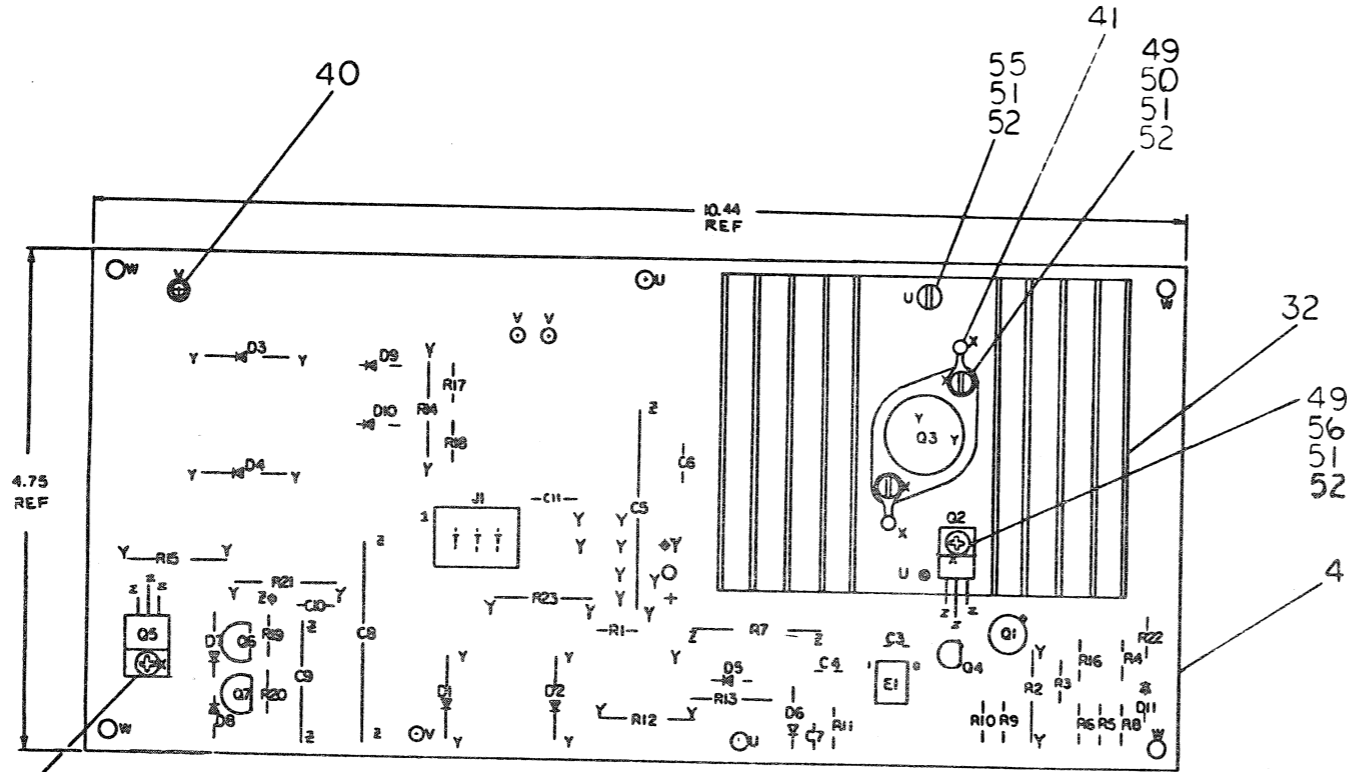
ADJ 7010718-0-0

NUMBER

REV. B

**NOTES:**

1. UNLESS OTHERWISE SPECIFIED  
A. ALL RESISTORS ARE 1/4W, ±5%.
2. DOTTED AREAS COMPONENT NOT ON BOARD.
3. AT TIME OF MODULE ASSY, ITEM #9 SHOULD BE APPLIED BENEATH Q2, Q3 & Q5.
4. AT TIME OF ASSEMBLY, Q2, Q3 AND Q5 MOUNTING HARDWARE MUST BE TORQUED TO 4 TO 6 INCH POUNDS.
5. Q4, Q6 AND Q7 OUTLINES CORRESPOND TO GENERAL ELECTRIC TYPE TRANSISTORS.
6. FLAT RECTANGULAR WASHER SUPPLIED BY VENDOR TO BE MOUNTED UNDER Q2 AND Q5 SCREWHEAD.



301A	4	7
IC TYPE	GND	+5V
GND AND 5V ARE USUALLY PIN 7 AND 14 RESPECTIVELY EXCEPT AS STATED ABOVE		
IC PIN LOCATIONS		

DESIGNED BY D. CALDERAN	DATE 21 MARCH 74
CHECKED BY C. YOUSE	DATE 18 MARCH 74
APPROVED BY D. VEINOT	DATE 10 APR 74
REVISED BY W. HAZEN	DATE 5 APR 74
CHANGE NO. 5-11398-00001	REV. B

FIRST USED OR OPTION MODEL  
**RX01**

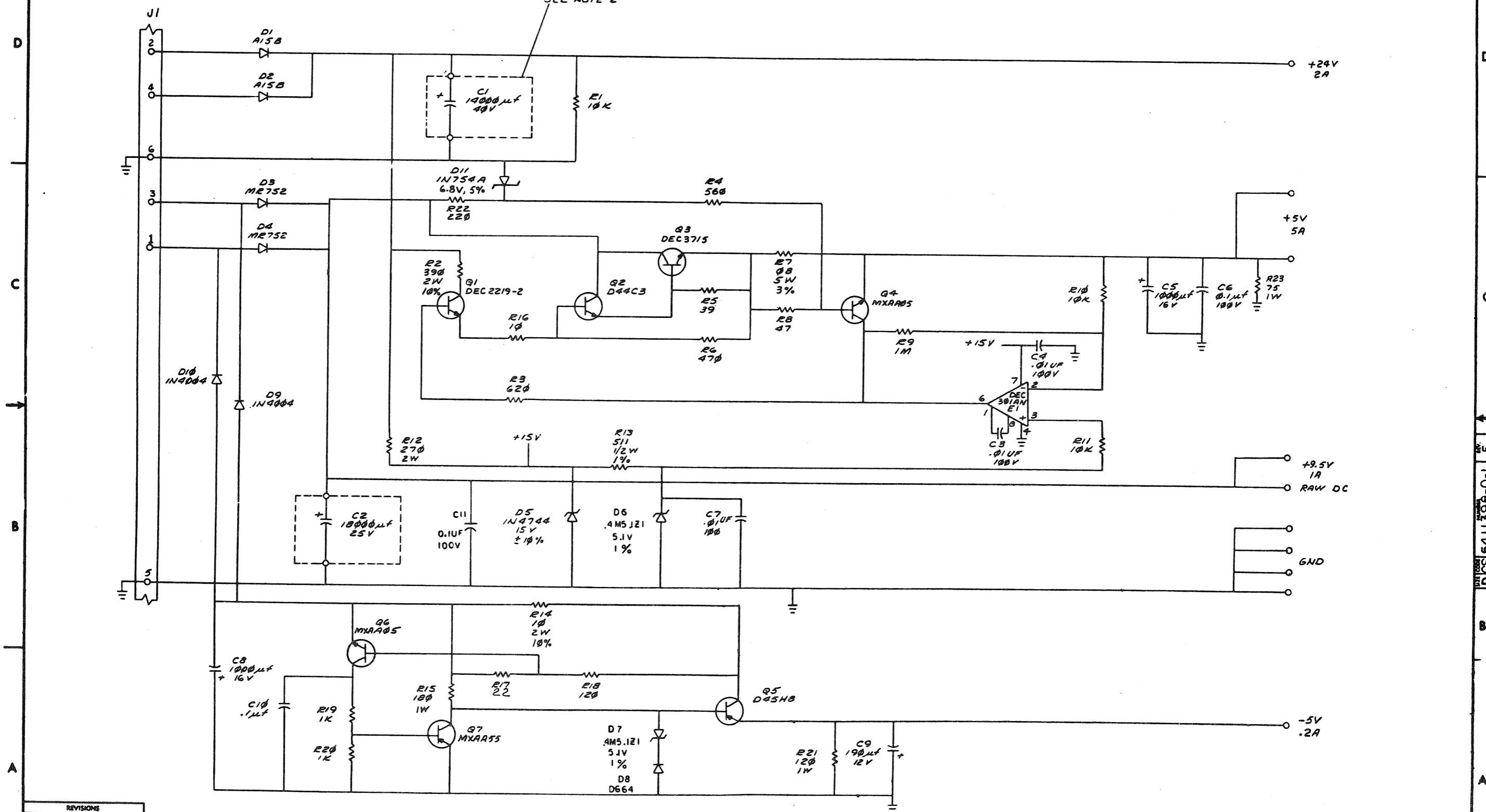
ETCH BOARD REV. **D** PARTS LIST

DEC NO.    EIA NO.    DEC NO.    EIA NO. SEMICONDUCTOR CONVERSION CHART SHEET 1 OF 2	DATE 11/27/74 DATE 1/8/75 DATE 1/24/75 DATE 1/29/75 NEXT HIGHER ASSY SCALE SHEET 1 OF 2	<b>digital</b> <b>RX01</b> <b>POWER SUPPLY</b> SIZE CODE NUMBER REV. <b>D CS 5411398-0-1 E</b>
--	---	--

QTY	REF. DESIGNATION	DESCRIPTION	PART NO.	ITEM NO.
		X-Y COORDINATE HOLE LOCATION	KCD-5411398-0-1	1
		ASSY/DRILLING HOLE LAYOUT	D-AH-5411398-0-5	2
		MODULE ECO HISTORY	B-MH-5411398-0-6	3
1		ETCHED CIRCUIT BOARD	5011397-00	4
3	C3, C4, C7	CAP .01 μF 100V 20% DISC	1001610-01	5
2	C5, C8	CAP 1000 μF 16V ELEC	1011849-02	6
3	C6, C10, C11	CAP .1 μF 100V 20% DISC	1000030-00	7
1	C9	CAP 190 μF 12V 10% ELEC	1009439-00	8
2	D1, D2	DIODE 1A158 (1N5624)	1110420-00	9
2	D3, D4	DIODE 1N4752	1110615-00	10
1	D5	DIODE 1N4744 15V 10%	1105648-00	11
				12
2	D7, D6	DIODE .4M5-1Z1.5IV 1%	1105873-00	13
1	D8	DIODE D664	1100114-00	14
2	D9, D10	DIODE 1N4004	1105796-00	15
1	D11	DIODE 1N754A 6.8V 5%	1109991-00	16
1	R5	RES 39 1/4W 5% CC	1302377-00	17
1	R6	RES 470 1/4W 5% CC	1300316-00	18
1	R7	RES .08 5W 3% CC	1311603-00	19
1	R8	RES 47 1/4W 5% CC	1300202-00	20
1	R9	RES 1M 1/4W 5% CC	1309595-00	21
1	R12	RES 270 2W 5% CC	1305380-00	22
1	R13	RES 511 1/4W 1% CC	1300324-00	23
1	R14	RES 10 2W 10% CC	1300172-00	24
1	R15	RES 180 1W 5% CC	1300262-00	25
1	R16	RES 10 1/4W 5% CC	1301317-00	26
				27
1	R18	RES 120 1/4W 5% CC	1300247-00	28
2	R19, R20	RES 1K 1/4W 5% CC	1300365-00	29
1	R22	RES 220 1/4W 5% CC	1300271-00	30
1	R21	RES 120 1W 5% CC	1301838-00	31
1		HEAT SINK	1212201-00	32
1	Q1	TRANS DEC 2219-2	1501883-00	33
1	Q2	TRANS DA4C3	1510171-01	34
1	Q3	TRANS DEC3715	1509068-00	35
2	Q4, Q6	TRANS MXAAB5	1510705-00	36
1	Q5	TRANS D45H8	1510708-01	37
1	Q7	TRANS MXAAS5	1510706-00	38
1	E1	I.C. DEC 301AN	1910282-00	39
4		EYELET	9007896-00	40
2		TERMINAL LUG, SOLDER	9009676-00	41
1	J1	CONNECTOR 6 PIN	1211342-0 6	42
				43
1	R4	RES 560 1/4W 5% CC	1301890-00	44
1	R23	RES 75 1W 5% CC	1305281-00	45
3	R1, R10, R11	RES 10K 1/4W 5% CC	1300479-00	46
1	R2	RES 390 2W 5% CC	1301869-00	47
1	R3	RES 620 1/4W 5% CC	1303178-00	48
1/4R		THERMAL COMPOUND	9008268-00	49
2		SCREW 4-40 X 1/2	9006013-04	50
5		KEPNUT 4-40	9006357-00	51
5		WASHER FLAT 4-40	9006655-00	52
				53
1		SCREW 4-40 X 5/16 (PHILLIPS HD)	9006011-1	54
1		SCREW 4-40 X 7/16	9006012-04	55
1		SCREW 4-40 X 1/2 (PHILLIPS HD)	9006013-1	56
1		RES. 22 1/4W 5%	1301969-00	57

THIS DRAWING AND SPECIFICATIONS HEREIN ARE THE PROPERTY OF DIGITAL EQUIPMENT CORPORATION AND SHALL NOT BE REPRODUCED OR COPIED OR USED IN WHOLE OR IN PART AS THE BASIS FOR THE MANUFACTURE OR SALE OF ITEMS WITHOUT WRITTEN PERMISSION. COPYRIGHT © 1974 DIGITAL EQUIPMENT CORPORATION

SEE NOTE 2



REVISIONS		
CHK	CHANGE NO.	REV.

TITLE	RX01 POWER SUPPLY	SIZE/COOP	NUMBER	REV.
SCALE	SHEET 2 OF 2	DIST.	DCS 5411398-0-1	E