

PARTS LIST

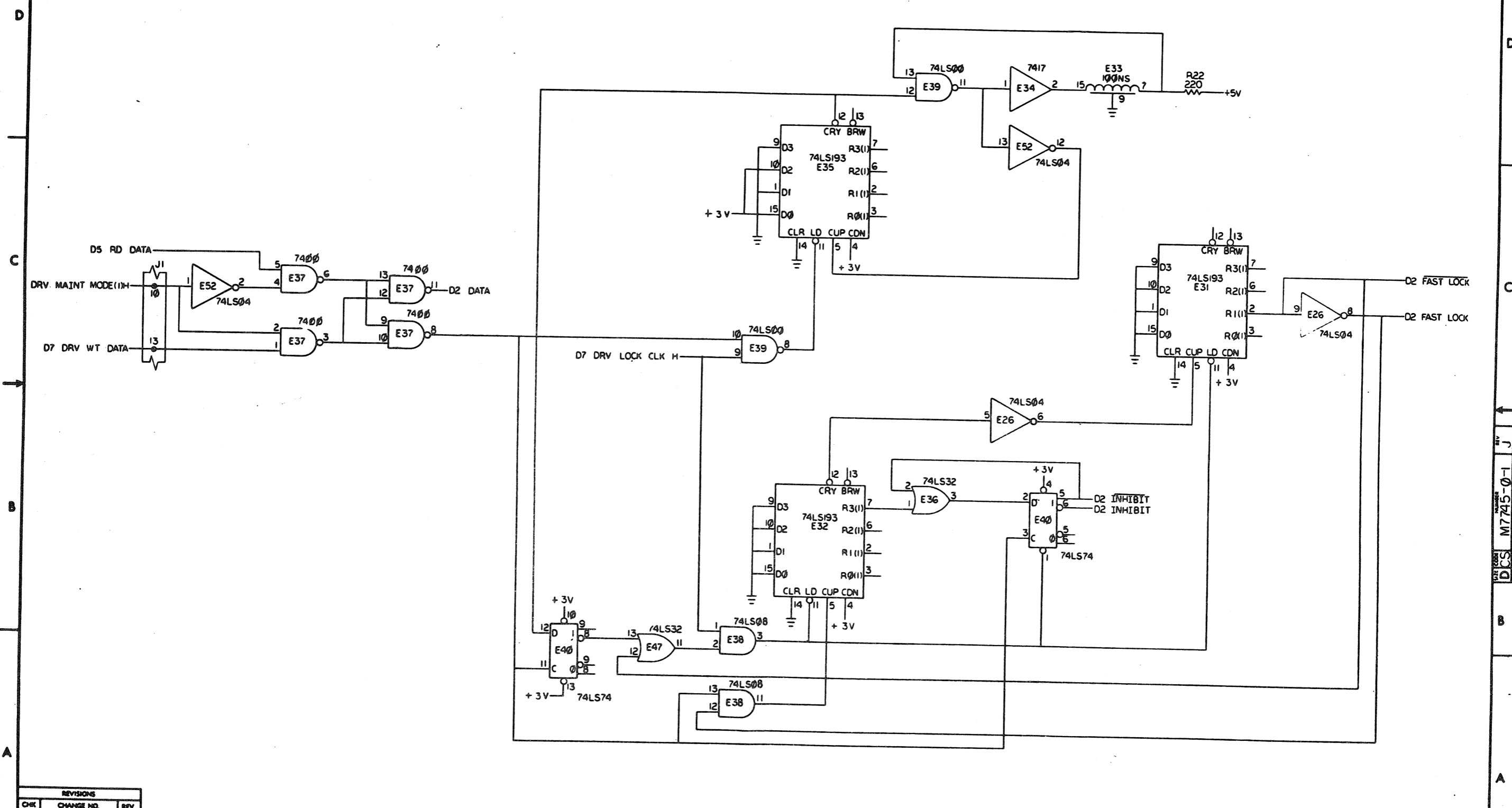
LINE ITEM	DOCUMENT NUMBER	PART NUMBER	DESCRIPTION	QTY	PER VARIATION	REFERENCE DESIGNATOR
				00		
73	80	1302391-00	20.0 K .25 W 5.0 % CC	1		CONT R104
74	82	1309094-00	100.0 5.0 W 5.0 % WW	2		R77
75	84	1313476-00	51.10 K .25 W 1.0 % RN55D-F10	2		R119,R120
76	85	1311522-00	200.0 .25 W 5.0 % CC	2		R51,R53
77	86	1312930-00	5.10 K .25 W 5.0 % CC	2		R64,R65
78	87	1301320-00	1.20 K .25 W 5.0 % CC	4		R66,R67
79	88	1314847-00	62.0 .50 W 5.0 % CC	13		R82,R85,R95,R98
80	89	1300496-00	15.0 K .25 W 5.0 % CC	1		R33-R37,R68-R75
81	90	1212204-00	HEADER.156 2POS RT ANGLE	1		R122
82	91	1209941-06	HEADER.100 20POS RT ANGLE	1		J2
83	92	1213488-02	CONN 20POS HOUSING,STRAIGH	2		J1
84	93	1214993-01	HEADER 40POS RT ANGLE MODIFI	2		J5,J6
85	94	9006010-01	SCREW,PAN,PHIL 4-40X 5/16 SS	9		J3,J4
86	95	9006557-00	NUT,KEP , 4-40X 1/4 AF	9		
87	96	9009769-00	WASHER, RECTANGULAR .405X.225X.0	9		
88	97	9105740-55	*** THIS ITEM IS NOT USED ***	-		
89	98	1300417-00	2.20 K .25 W 5.0 % CC	1		R15
90	99	1300439-00	3.30 K .25 W 5.0 % CC	8		CONT R25,R29,R32,R39,R40,R44,R123,
91	104	1305374-00	910.0 .25 W 5.0 % CC	2		R124
92	105	1309143-05	200.0 .75 W10.0 % FOT	1		R17,R18
93	106	1303312-00	10.0 K .25 W 1.0 % RN55D-F10	2		R16
94	107	1905547-00	7474 FF-D DUAL,EDGE TRIGG	1		R108,R114
95	108	1905575-00	7400 NAND GATE-QUAD 2IN	1		E28
96	109	1910155-00	DEC 7408 AND GATE,POS.QUAD 2I	1		E37
97	110	1910436-00	DEC 74123 ONE SHOT-DUAL,RETRIG	1		E51
98	111	1303177-00	2.40 K .25 W 5.0 % CC	1		E4
99	112	1012312-01	.47 MFD 50V +80-20% CER	2		R126
100	113	1010978-36	.1 MFD 50V 10% CER	1		C9,C10
101	114	1210244-00	*** THIS ITEM IS NOT USED ***	-		C11
102	115	9107301-11	*** THIS ITEM IS NOT USED ***	-		
103	116	D-CS-M7745-0-1	CIRCUIT SCHEMATIC	REF		
104	117	D-UA-M7745-0-0	UNIT ASSEMBLY	REF		
105	118	B-DD-M7745-0-0	DRAWING DIRECTORY	REF		
106	119	D-EC-5012956-0-0	ETCH CUT DRAWING	REF		

D	I	S	I	T	A	L	TITLE	SECTION A OF A	SIZE	CODE	DOCUMENT NUMBER	REV
							RX02 R/W CONTROL		K	PL	M7745-0-DBP	J



THIS DRAWING AND SPECIFICATIONS HEREIN ARE THE PROPERTY OF DIGITAL EQUIPMENT CORPORATION AND SHALL NOT BE REPRODUCED OR COPIED OR USED IN WHOLE OR IN PART AS THE BASIS FOR THE MANUFACTURE OR SALE OF ITEMS WITHOUT WRITTEN PERMISSION. COPYRIGHT © 1977 DIGITAL EQUIPMENT CORPORATION

1-0-5722W DCS M7745-01 2



REVISIONS		
CHK	CHANGE NO.	REV.

8	7	6	5	4	3	2	1	
TITLE: READ/WRITE CONTROL (D2)						SIZE CODE: DCS	NUMBER: M7745-01	REV. J
SCALE: / /						SHEET 2 OF 7		DIST.:

THIS DRAWING AND SPECIFICATIONS HEREIN ARE THE PROPERTY OF DIGITAL EQUIPMENT CORPORATION AND SHALL NOT BE REPRODUCED OR COPIED OR USED IN WHOLE OR IN PART AS THE BASIS FOR THE MANUFACTURE OR SALE OF ITEMS WITHOUT WRITTEN PERMISSION. COPYRIGHT © 1977 DIGITAL EQUIPMENT CORPORATION

1-0-5422W 2

8 7 6 5 4 3 2 1

D

C

B

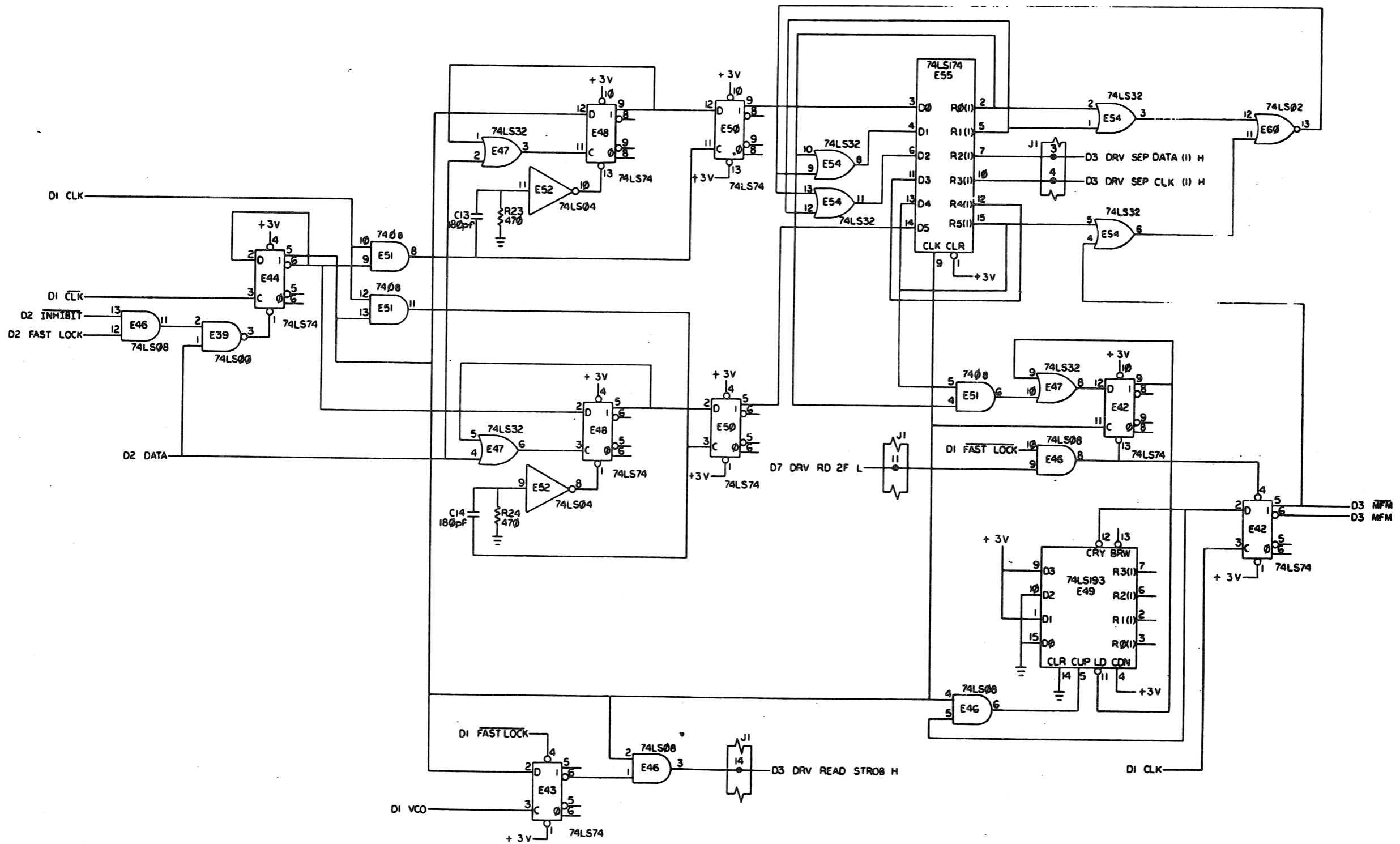
A

D

C

B

A



REVISIONS		
CHK	CHANGE NO.	REV.

SEE FORM NO. 510 1/76

8

7

6

5

4

3

2

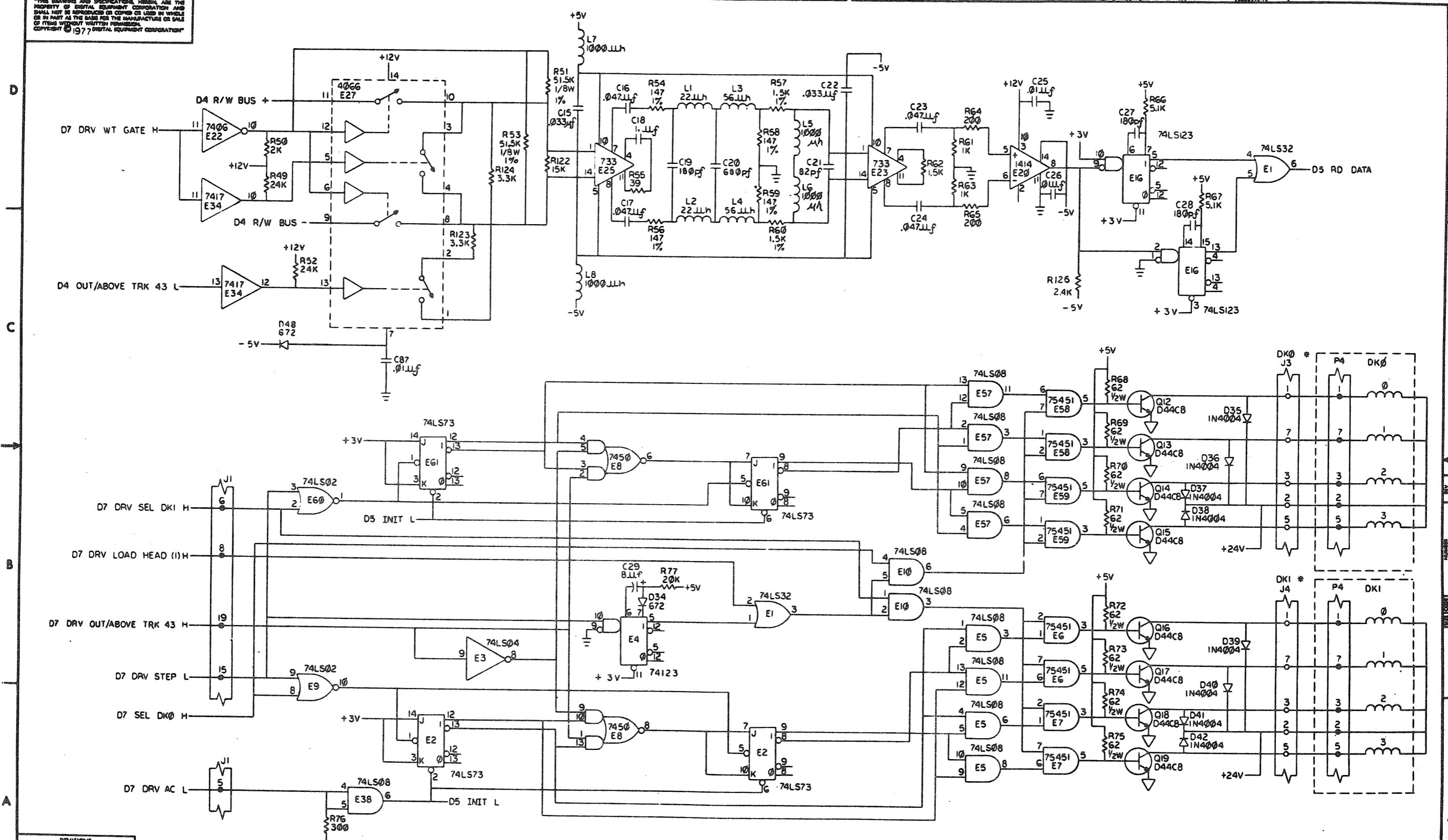
1

TITLE	(D3)	SIZE	NUMBER	REV.
READ/WRITE CONTROL	DCS	M7745-0-1	J	
SCALE	SHEET	OF	DWG.	
	3	7		



THIS DRAWING AND SPECIFICATIONS HEREIN ARE THE PROPERTY OF DIGITAL EQUIPMENT CORPORATION AND SHALL NOT BE REPRODUCED OR COPIED OR USED IN WHOLE OR IN PART AS THE BASIS FOR THE MANUFACTURE OR SALE OF ITEMS WITHOUT WRITTEN PERMISSION. COPYRIGHT © 1977 DIGITAL EQUIPMENT CORPORATION

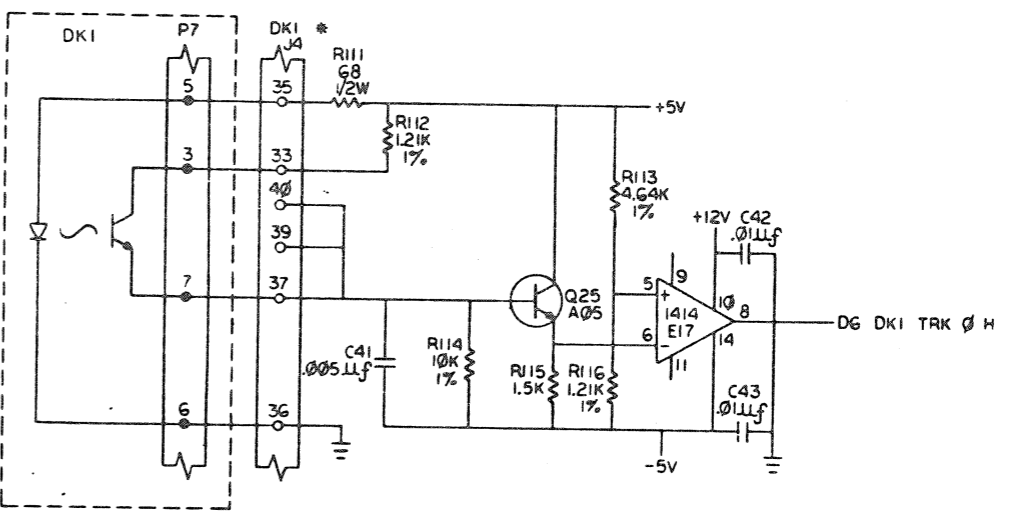
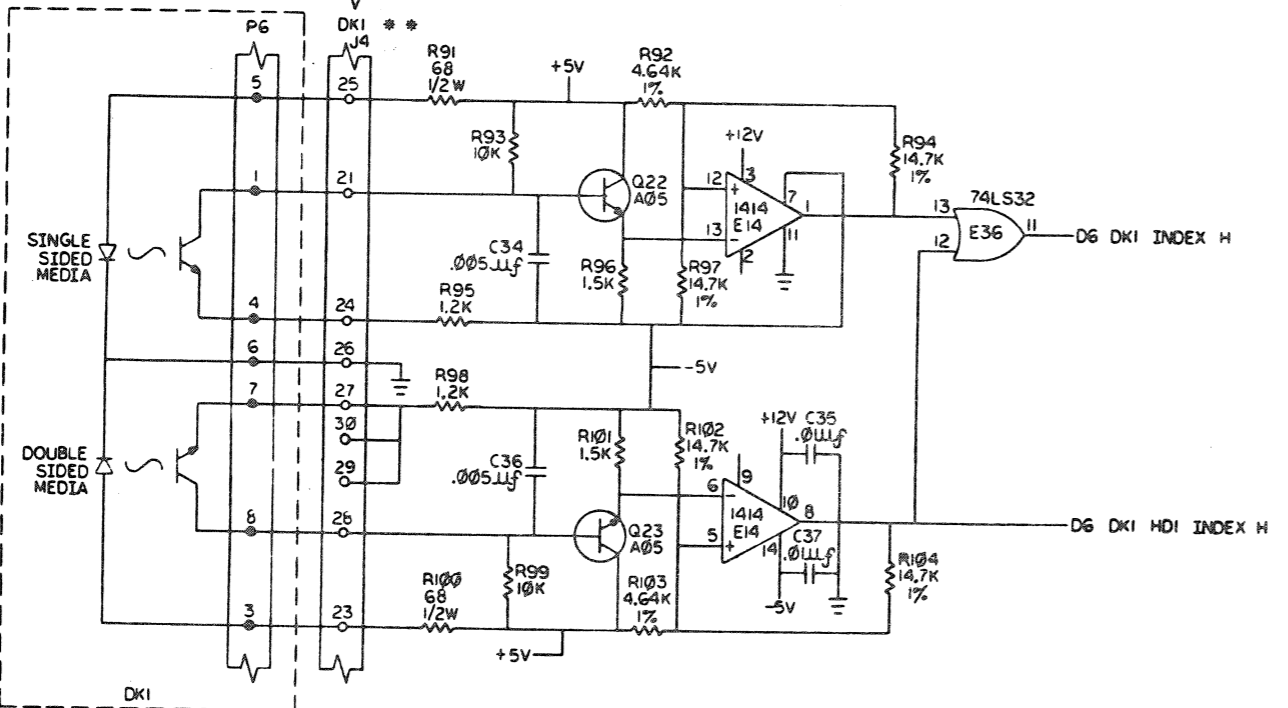
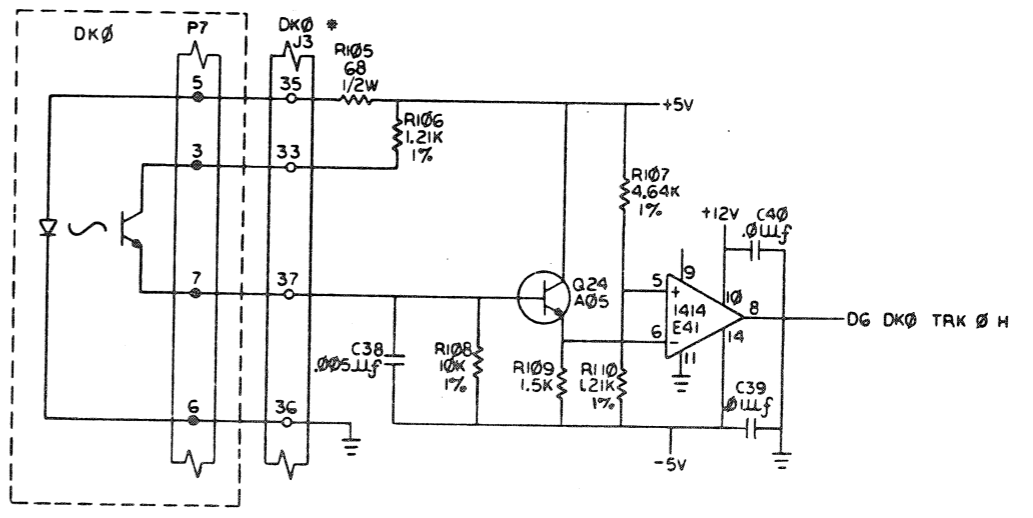
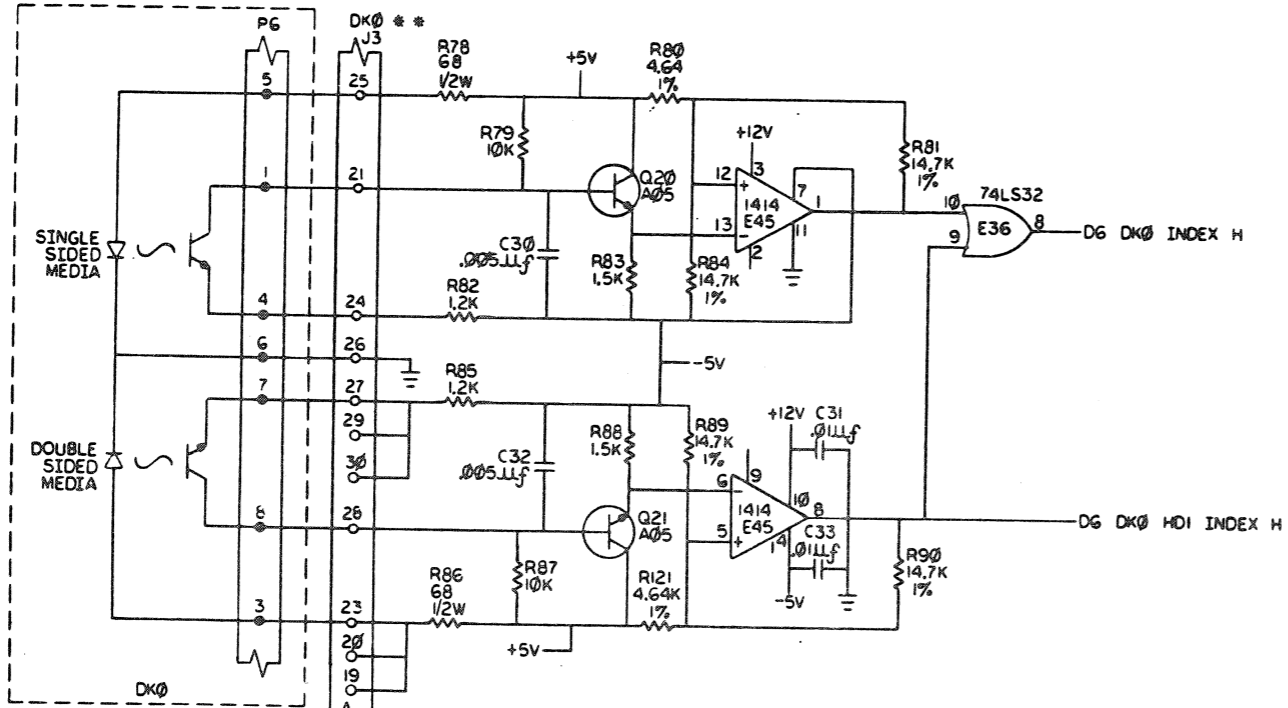
1-0-9722W DCS 2



REVISIONS		
CHK	CHANGE NO.	REV.

8	7	6	5	4	3	2	1
TITLE: READ/WRITE CONTROL (D5) SIZE CODE: DCS NUMBER: M7745-0-1 REV. J							
SCALE: 1:1 SHEET 5 OF 7 DIST.:							

THE DESIGN AND SPECIFICATIONS HEREIN ARE THE PROPERTY OF DIGITAL EQUIPMENT CORPORATION AND SHALL NOT BE REPRODUCED OR COPIED OR USED IN WHOLE OR IN PART AS THE BASIS FOR THE MANUFACTURE OR SALE OF ITEMS WITHOUT WRITTEN PERMISSION. COPYRIGHT © 1977 DIGITAL EQUIPMENT CORPORATION

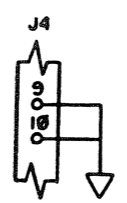
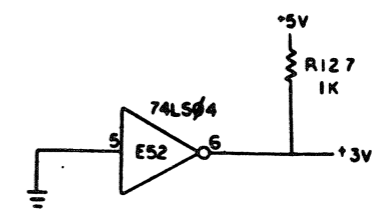
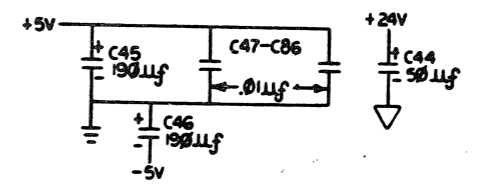
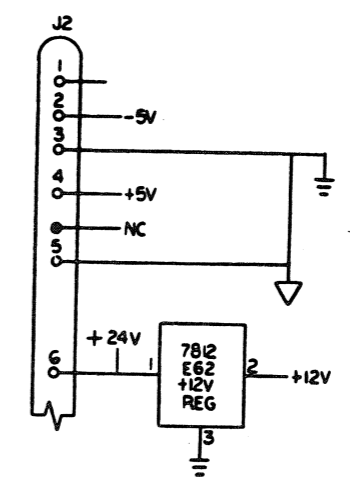
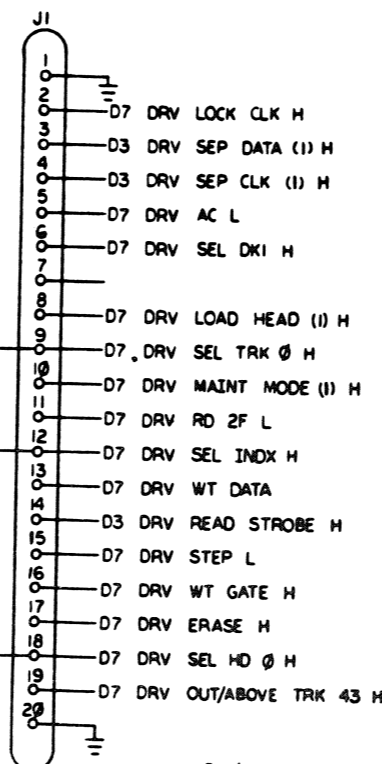
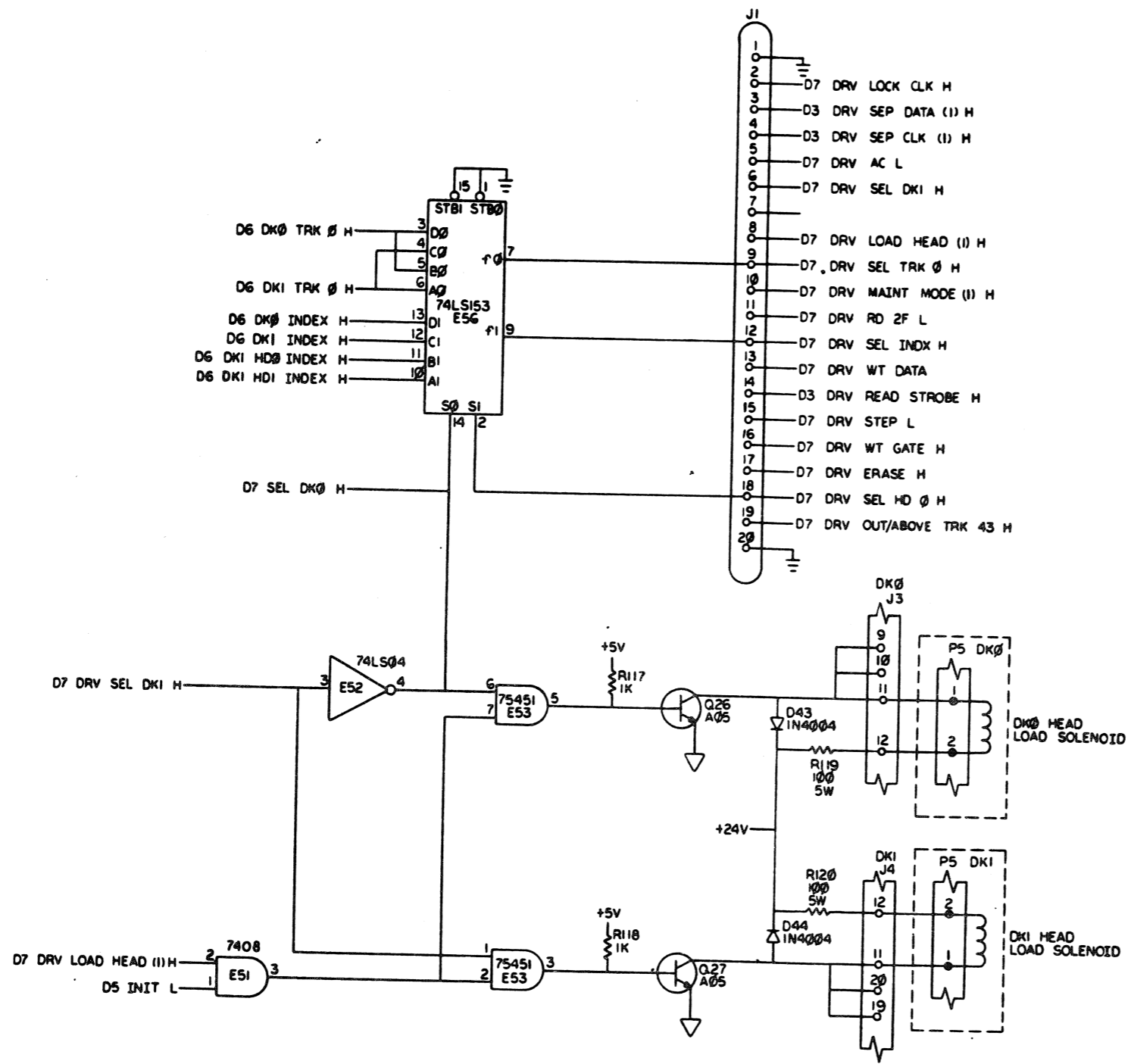
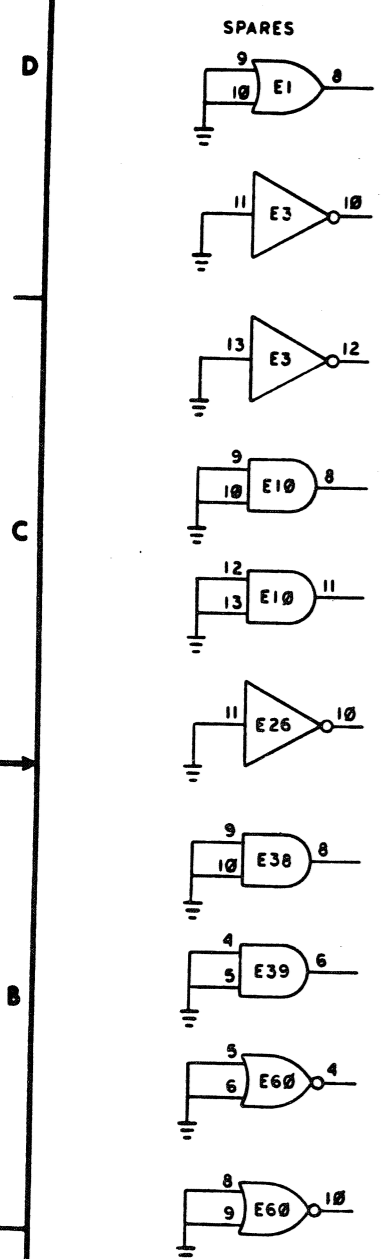


NOTE:  
 \* P7-PIN 4 LOCATION IS USED FOR KEY  
 \* P6-PIN 2 LOCATION IS USED FOR KEY

REVISIONS		
CHK	CHANGE NO	REV

THIS DRAWING AND SPECIFICATIONS HEREIN ARE THE PROPERTY OF DIGITAL EQUIPMENT CORPORATION AND SHALL NOT BE REPRODUCED OR COPIED OR USED IN WHOLE OR IN PART AS THE BASIS FOR THE MANUFACTURE OR SALE OF ITEMS WITHOUT WRITTEN PERMISSION. COPYRIGHT © 1977 DIGITAL EQUIPMENT CORPORATION

1-0-5722W SCS 2

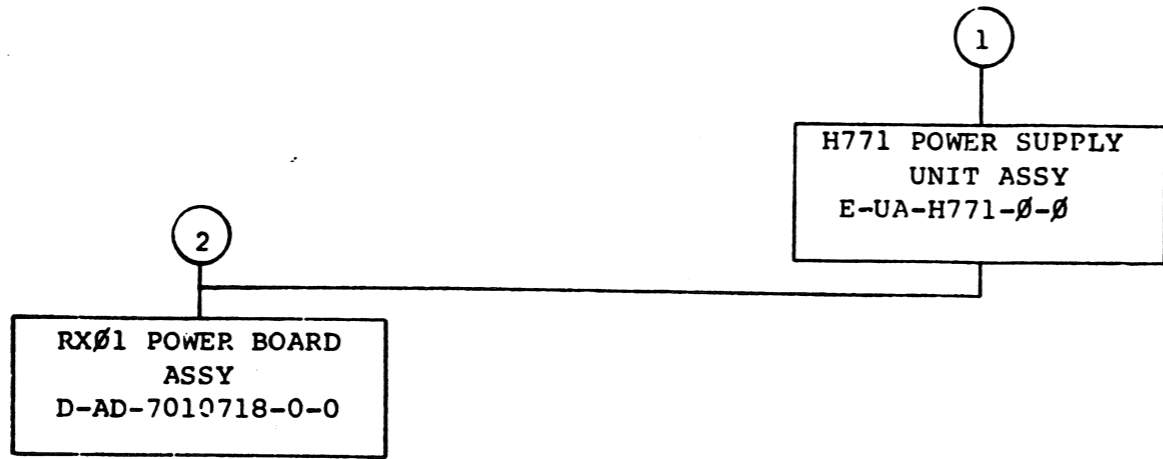


\* NOTE:  
DK0 AND DK1 J3-J4  
SPARE PINS ARE  
PINS 3, 4, 5, 6, AND 7.  
PIN 8 LOCATION  
IS FOR KEY.

REVISIONS		
CHK	CHANGE NO.	REV.

TITLE	(D7)	SIZE CODE	NUMBER	REV.
READ/WRITE CONTROL	D CS	M7745-0-1	J	
SCALE	SHEET 7 OF 7	DWT.		





TITLE	SHEET 2 OF 3	SIZE CODE	NUMBER	REV
H771 POWER SUPPLY		B DD	H771-Ø	F