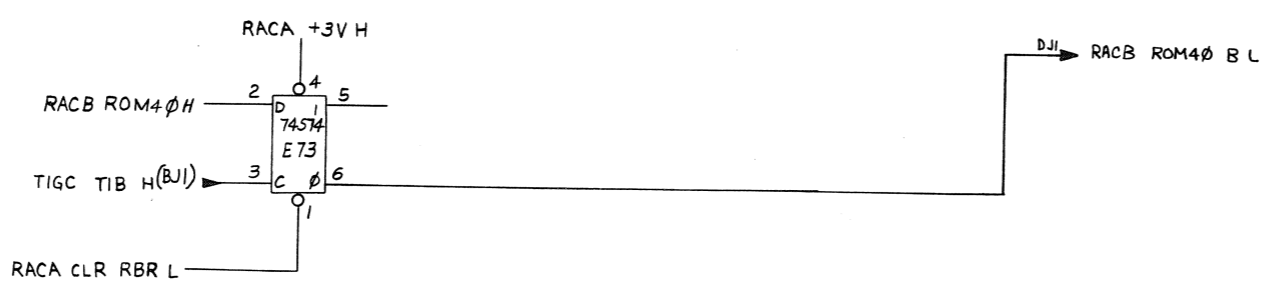
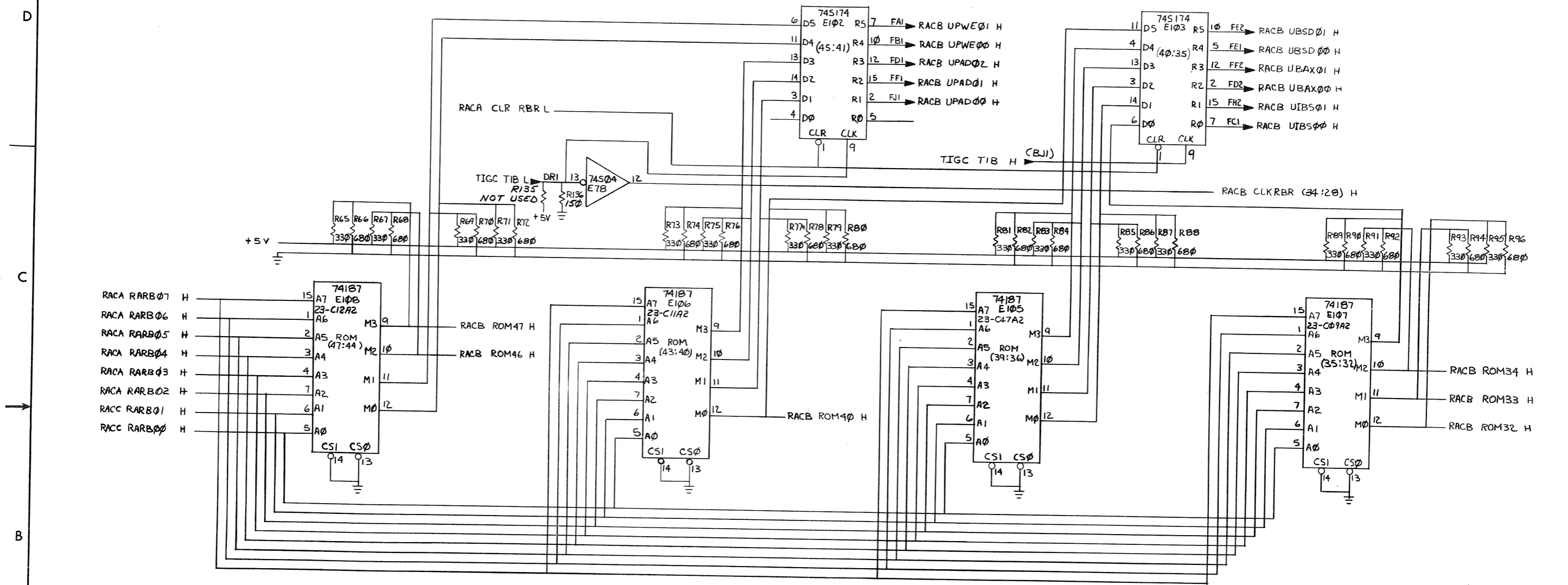






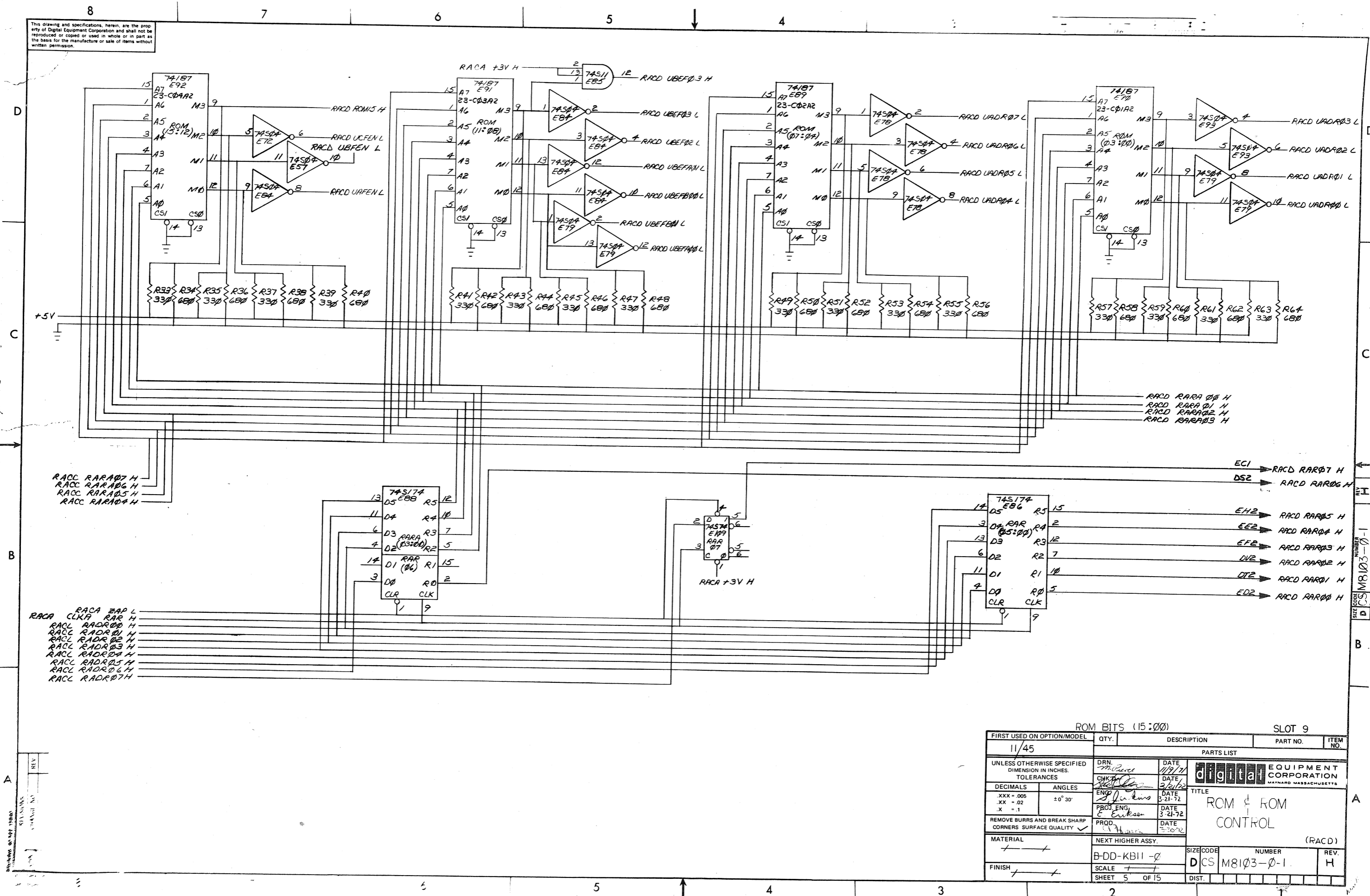
This drawing and specifications, herein, are the property of Digital Equipment Corporation and shall not be reproduced or copied or used in whole or in part as the basis for the manufacture or sale of items without written permission.



FIRST USED ON OPTION/MODEL		QTY.	DESCRIPTION	PART NO.	ITEM NO.
11/45					
PARTS LIST					
UNLESS OTHERWISE SPECIFIED DIMENSION IN INCHES. TOLERANCES		DATE		DIGITAL EQUIPMENT CORPORATION MATTAPOWSETT, MASSACHUSETTS	
DECIMALS		DATE			
ANGLES		DATE			
.XXX = .005		DATE			
.XX = .02		DATE		TITLE ROM & ROM CONTROL	
.X = .1		DATE			
REMOVE BURRS AND BREAK SHARP CORNERS SURFACE QUALITY		DATE		(RACF) NUMBER M 8103-0-1	
MATERIAL		DATE			
FINISH		DATE		SCALE SHEET 3 OF 15	
NEXT HIGHER ASSY.		DATE			
B-DD-KB11-0		DATE		DIST.	
SCALE		DATE			



This drawing and specifications, herein, are the property of Digital Equipment Corporation and shall not be reproduced or copied or used in whole or in part as the basis for the manufacture or sale of items without written permission.

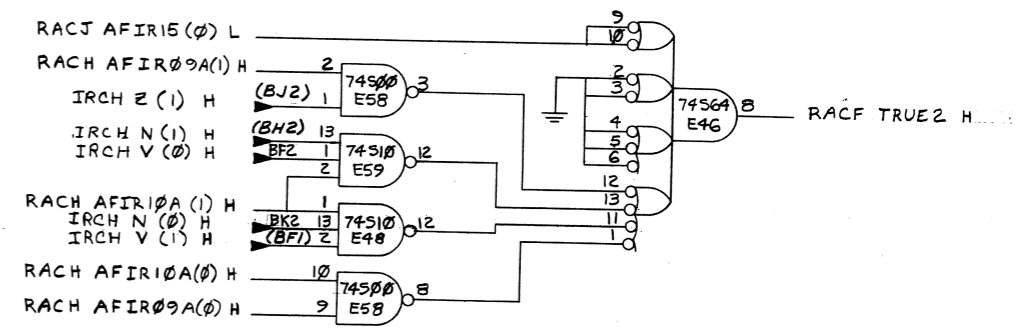
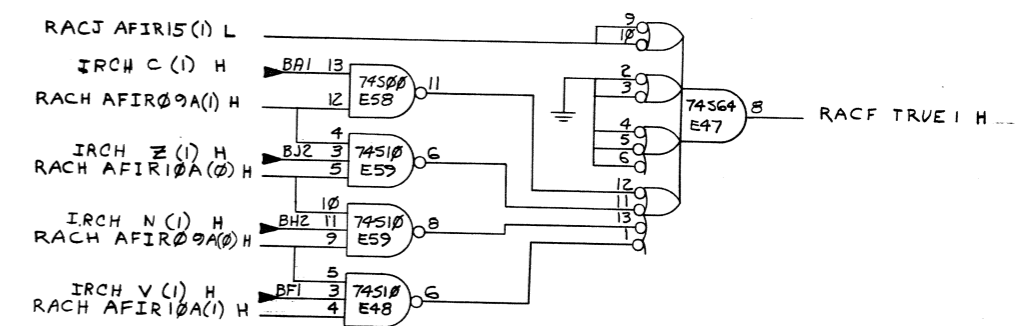
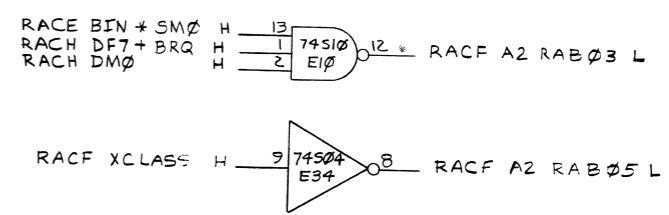
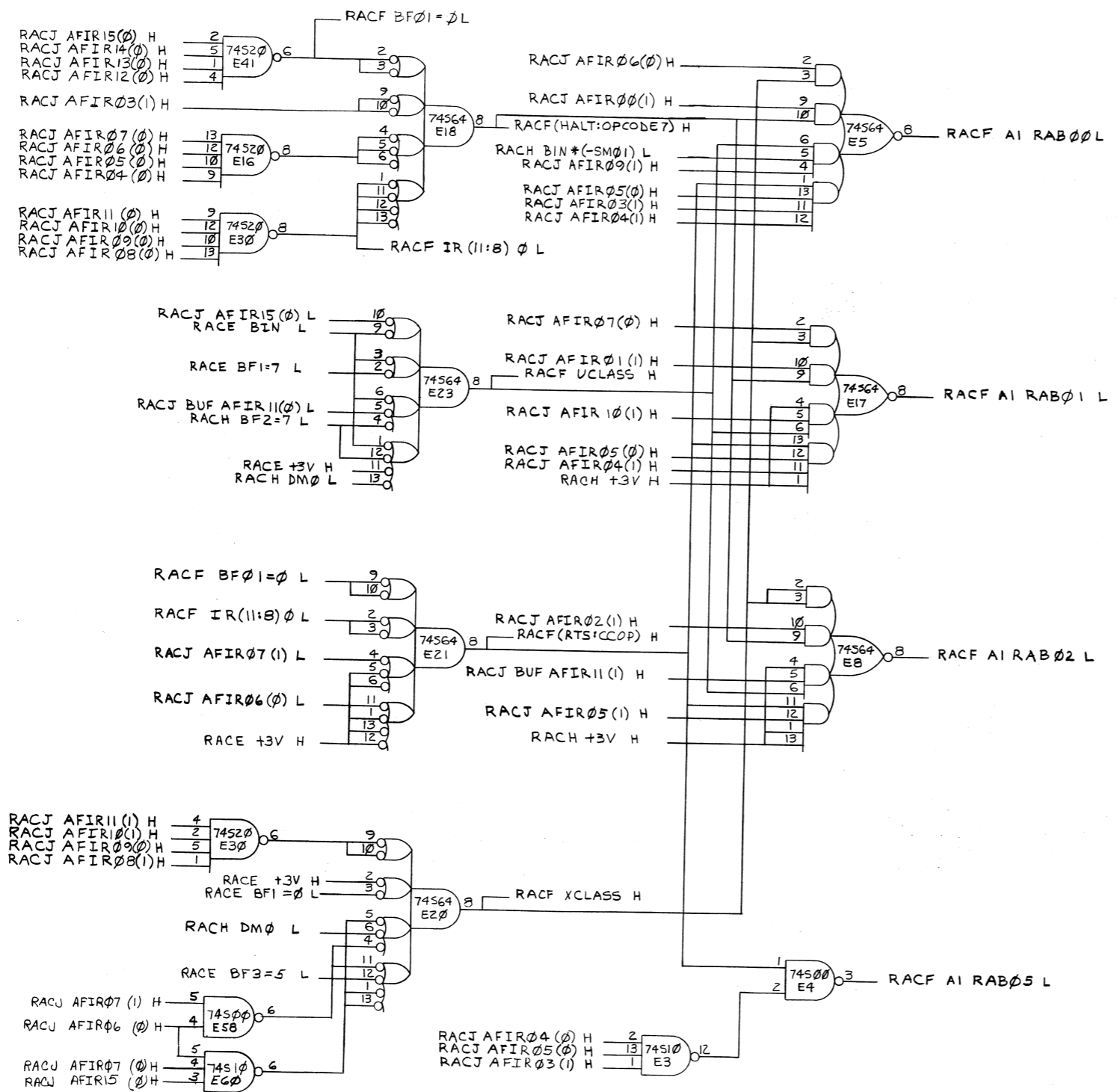


FIRST USED ON OPTION/MODEL		QTY.	DESCRIPTION	PART NO.	ITEM NO.
11/45					
UNLESS OTHERWISE SPECIFIED DIMENSION IN INCHES. TOLERANCES					
DECIMALS	ANGLES	PARTS LIST			
XXX = .005	XX = .02	DRN	DATE	 <b>digital EQUIPMENT CORPORATION</b> MAYNARD MASSACHUSETTS	
X = .1	±0° 30'	CHKD	DATE		
REMOVE BURRS AND BREAK SHARP CORNERS SURFACE QUALITY		ENG	DATE		
		PROJ. ENG.	DATE		
MATERIAL		NEXT HIGHER ASSY.		TITLE	
FINISH		SCALE		ROM & ROM CONTROL	
		SHEET 5 OF 15		NUMBER (RACD)	
				B-DD-KB11-0	
				SIZE CODE	
				D CS M8103-0-1	
				REV. H	
				DIST.	

NUMBER M8103-0-1  
 SIZE CODE D CS



This drawing and specifications, herein, are the property of Digital Equipment Corporation and shall not be reproduced or copied or used in whole or in part as the basis for the manufacture or sale of items without written permission.



UCLASS = (MUL:ASHC)\*DM0+SOB+BIN  
 XCLASS = MARK+MTP+MFP\*DM0

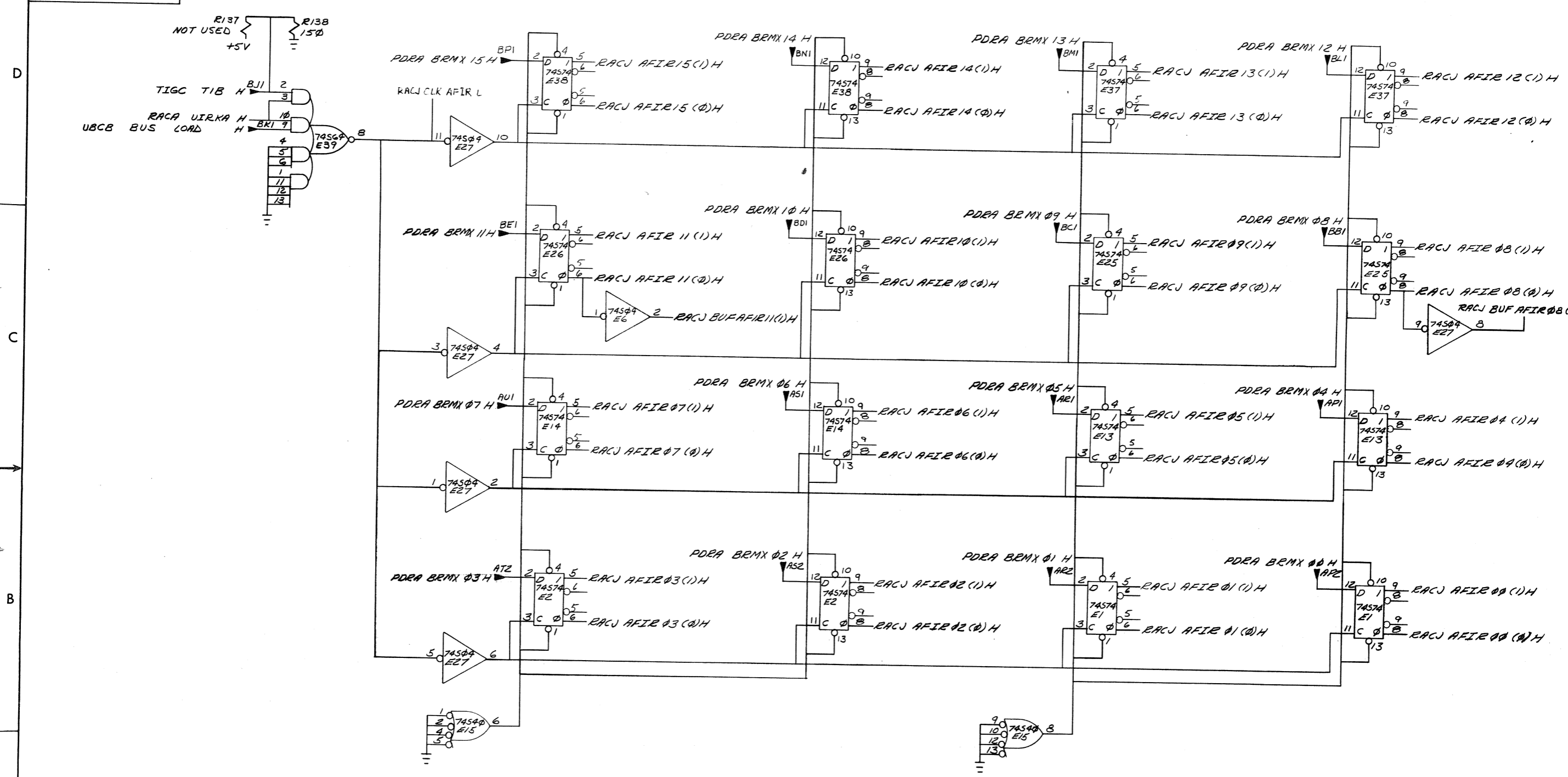
REV	CHG	NO

FIRST USED ON OPTION/MODEL 11/45		QTY.	DESCRIPTION	PART NO.	ITEM NO.
PARTS LIST					
UNLESS OTHERWISE SPECIFIED DIMENSION IN INCHES. TOLERANCES		DRN Z Carbery	DATE 7/8/71	digital EQUIPMENT CORPORATION MAYNARD, MASSACHUSETTS	
DECIMALS .XXX = .005 .XX = .02 .X = .1	ANGLES ±0° 30'	ENG E. Eversen	DATE 2-21-72	TITLE ROM & ROM CONTROL	
REMOVE BURRS AND BREAK SHARP CORNERS SURFACE QUALITY ✓		PROD. J. Harris	DATE 3-28-72	MATERIAL --	
FINISH --		NEXT HIGHER ASSY. B-DD-KB11-0		SIZE CODE DCS	NUMBER M8103-0-1
SHEET 7 OF 15		SCALE --		REV. H	



This drawing and specifications, herein, are the property of Digital Equipment Corporation and shall not be reproduced or copied in whole or in part as the basis for the manufacture or sale of items without written permission.

H 1-0-27.2.1 2



REV	NO
CHG	NO

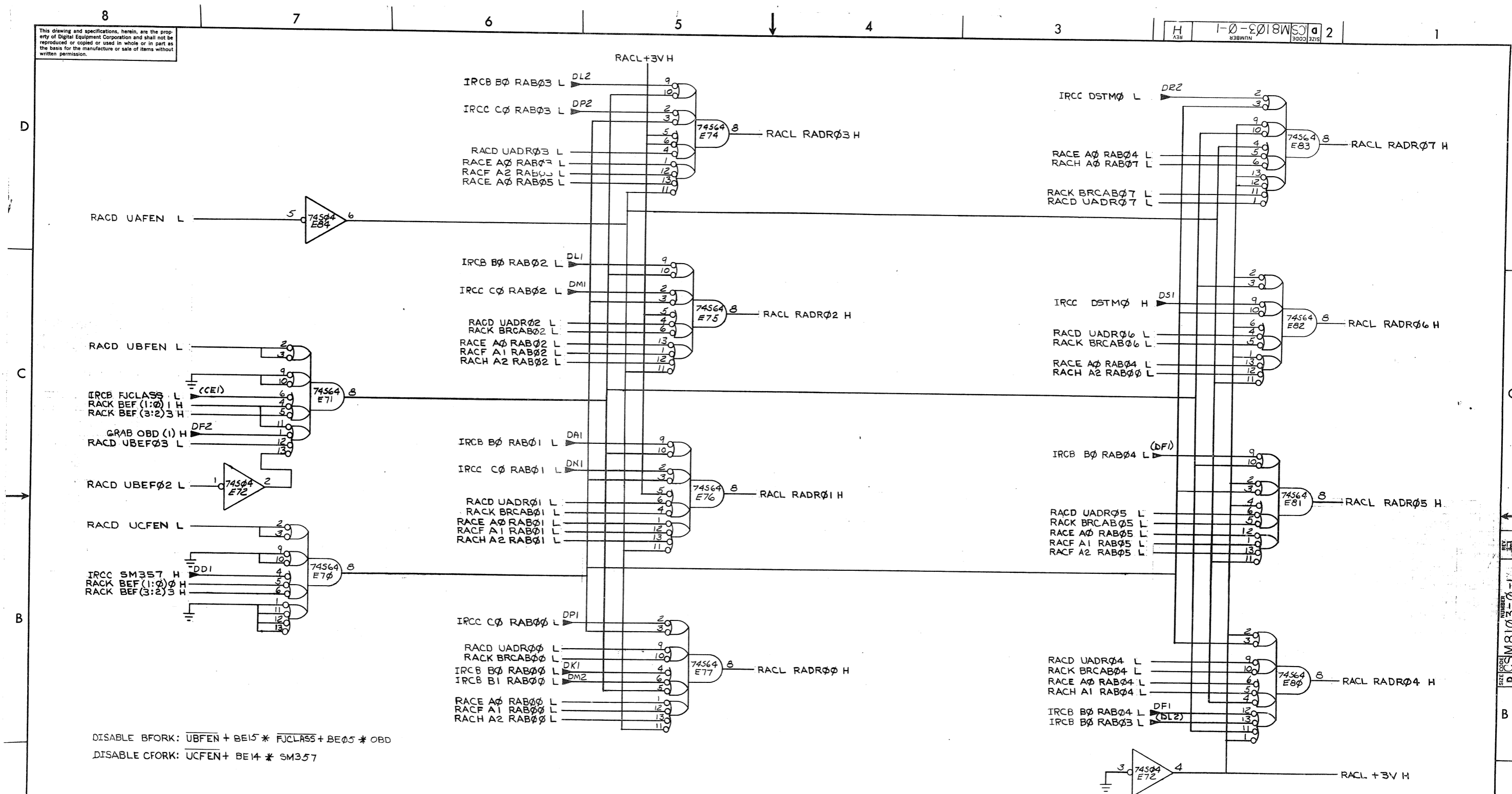
DEC FORM NO 102-B

INSTRUCTION REG. (A-FORK COPY)		SLOT 9	
FIRST USED ON OPTION/MODEL 11/45	QTY.	DESCRIPTION	PART NO. ITEM NO.
PARTS LIST			
UNLESS OTHERWISE SPECIFIED DIMENSION IN INCHES. TOLERANCES	DRN. <i>A. Davis</i>	DATE 7-7-71	 <b>digital</b> EQUIPMENT CORPORATION MAYNARD, MASSACHUSETTS
DECIMALS .XXX = .005 .XX = .02 .X = .1	CHK. <i>[Signature]</i>	DATE 3-21-72	
ANGLES ±0° 30'	ENG. <i>[Signature]</i>	DATE 3-21-72	
REMOVE BURRS AND BREAK SHARP CORNERS SURFACE QUALITY	PROD. <i>[Signature]</i>	DATE 3-30-72	
MATERIAL	NEXT HIGHER ASSY.		
FINISH	B-DD-KB11 - 0	SIZE CODE DCSM8103-0-1	NUMBER (RACJ)
	SCALE	SHEET 9 OF 15	REV. H

REV. H  
 NUMBER DCSM8103-0-1  
 SIZE CODE D



This drawing and specifications, herein, are the property of Digital Equipment Corporation and shall not be reproduced or copied or used in whole or in part as the basis for the manufacture or sale of items without written permission.



DISABLE BFORK:  $\overline{UBFEN} + BE15 * \overline{FJCLASS} + BE05 * \overline{OBD}$   
 DISABLE CFORK:  $\overline{UCFEN} + BE14 * \overline{SM357}$

REV	
CHANGE NO.	
CHK	

DEC FORM NO. DRD 102-B

FIRST USED ON OPTION/MODEL				QTY.	DESCRIPTION	PART NO.	ITEM NO.
11/45							
UNLESS OTHERWISE SPECIFIED DIMENSION IN INCHES. TOLERANCES				PARTS LIST			
DECIMALS	ANGLES	DRN	DATE	digital EQUIPMENT CORPORATION			
.XXX = .005		CHKD	7-8-71	MAYNARD, MASSACHUSETTS			
.XX = .02	±0°30'	ENG	3/21/72	TITLE			
.X = .1		PROL ENG	3-21-72	ROM & ROM CONTROL			
REMOVE BURRS AND BREAK SHARP CORNERS. SURFACE QUALITY				PROD.	DATE		
				3-21-72			
MATERIAL				NEXT HIGHER ASSY.			
				B-DD-KB11-0			
FINISH				SCALE	SHEET	OF	15
				SIZE CODE		NUMBER	REV.
				DCS M8103-0-1			H



AD	BRK	BRX	SRX	DRX	SRK	DRK	CCL	PCA	PCB	SHF	IRK	PWE	PAD	BSD	BIX	IBS	SHC	BCT	MSC	BSC	AMX	BMX	KMX	ALU	FEN	BEN	UAD
12	PUP,00	100	0	0	0	0	3	0	0	0	2	0	0	0	0	1	0	0	6	0	0	0	1	0	0	00 347	
2	FOP,00	101	0	0	0	1	0	0	1	2	0	0	0	0	0	1	0	0	7	1	0	1	0	0	0	00 133	
8	MUL,10	102	1	0	0	0	1	0	0	0	2	0	0	0	0	0	0	1	0	0	3	3	0	6	0	11 246	
9	DVP,10	103	0	0	0	0	0	0	0	0	2	0	0	0	0	2	0	0	0	0	0	0	0	2	0	00 147	
9	DVN,10	104	0	0	0	0	0	0	0	0	2	0	0	0	0	0	0	0	0	0	0	0	2	6	0	00 105	
9	DVN,20	105	0	0	0	0	0	0	0	0	2	0	0	0	0	0	0	0	0	0	0	0	2	6	0	00 106	
9	DVN,30	106	0	0	1	0	3	0	0	0	2	0	0	0	0	0	0	0	0	0	0	0	6	6	0	00 055	
9	DVN,70	107	0	0	1	0	3	4	0	0	2	0	0	0	0	0	0	0	0	0	0	0	6	6	0	00 147	
5	D12,90	110	0	0	0	0	1	0	3	0	0	0	0	0	0	0	0	0	7	6	3	0	2	0	0	15 135	
5	D12,80	111	0	0	0	0	1	0	3	0	0	0	0	0	0	0	0	0	7	6	3	0	2	0	0	15 115	
5	D30,90	112	0	0	0	0	1	0	3	0	0	0	0	0	0	0	0	0	7	0	3	0	2	0	0	00 221	
5	D30,80	113	0	0	0	0	1	0	3	0	0	0	0	0	0	0	0	0	7	0	3	0	2	0	0	00 221	
6	D45,90	114	0	0	0	0	3	3	1	3	2	0	0	0	0	0	0	0	6	0	0	0	3	6	0	01 131	
6	D45,80	115	0	0	0	0	3	3	1	3	2	0	0	0	0	0	0	0	6	0	0	0	3	6	0	01 121	
6	D67,90	116	0	0	0	0	1	0	3	0	0	0	0	0	0	1	0	0	7	0	3	0	2	0	0	00 006	
6	D67,80	117	0	0	0	0	1	0	3	0	0	0	0	0	0	1	0	0	7	0	3	0	2	0	0	00 006	
12	BRK,20	120	1	1	0	0	0	0	0	0	2	0	0	0	0	1	3	0	6	0	0	0	2	2	0	02 152	
6	D40,20	121	0	0	0	0	1	0	0	0	2	0	0	0	0	0	0	0	7	6	3	0	2	2	0	15 157	
6	D10,30	122	1	0	0	0	0	0	0	0	2	0	0	0	0	0	0	0	7	6	2	0	2	2	0	15 137	
11	SHR,10	123	1	0	0	0	0	0	0	0	0	0	0	0	0	0	0	0	7	7	3	0	2	0	0	00 132	
12	TRP,02	124	1	1	0	0	0	0	0	0	2	0	0	0	0	1	3	0	7	0	0	0	1	1	0	00 354	
10	DVC,00	125	0	0	0	0	0	0	0	0	2	0	0	0	0	0	0	0	0	0	0	0	2	0	0	16 216	
1	FET,05	126	0	0	0	0	0	0	0	0	2	1	0	0	0	0	0	0	3	7	0	0	2	0	0	12 240	
3	WAT,30	127	0	0	0	0	0	0	0	0	0	0	0	0	0	1	0	0	0	0	0	2	0	0	0	02 253	
12	BRK,10	130	0	0	0	0	0	0	0	0	2	0	0	0	0	1	0	0	0	0	0	3	0	2	0	13 100	
6	D40,30	131	0	0	0	0	1	0	0	0	0	0	0	0	0	0	0	0	7	6	3	0	2	0	0	15 177	
11	EXC,10	132	0	0	0	0	0	0	0	0	2	0	0	0	0	0	0	0	6	7	3	0	2	0	0	00 217	
2	FOP,10	133	0	0	0	0	0	0	0	0	2	0	0	0	0	1	0	0	0	0	0	3	0	2	0	07 154	
14	EXM,30	134	0	0	0	0	0	0	0	0	2	0	0	0	0	2	0	0	0	0	0	3	0	2	0	00 230	
5	D12,70	135	0	0	0	0	0	0	0	1	3	2	0	0	0	0	0	0	7	6	0	0	3	3	2	00 137	
7	ASC,61	136	0	0	0	0	0	0	0	0	2	0	0	0	0	1	0	0	0	0	0	0	0	2	0	12 240	
5	D12,30	137	1	0	0	0	0	0	0	0	0	0	0	0	0	0	0	0	0	0	0	3	0	2	0	00 377	

AD	BRK	BRX	SRX	DRX	SRK	DRK	CCL	PCA	PCB	SHF	IRK	PWE	PAD	BSD	BIX	IBS	SHC	BCT	MSC	BSC	AMX	BMX	KMX	ALU	FEN	BEN	UAD
12	BRK,00	140	1	1	0	0	0	0	0	0	2	0	0	0	0	1	3	0	0	0	0	0	1	1	0	0	00 152
2	S67,20	141	0	0	0	0	0	0	0	0	1	0	0	0	0	2	0	0	7	1	0	0	0	0	0	0	00 142
2	S67,30	142	1	1	0	0	0	0	0	0	1	0	0	0	0	2	0	0	6	1	0	0	0	0	4	14 317	
2	S13,30	143	0	0	0	0	0	0	0	0	1	0	0	0	0	0	0	0	7	3	0	0	0	0	0	00 146	
10	DVD,00	144	0	0	0	0	0	0	0	0	2	0	0	0	0	0	0	0	0	0	2	0	0	2	0	00 353	
9	DVE,20	145	0	0	0	0	0	0	0	0	2	0	0	0	0	2	0	0	6	0	0	0	2	0	0	00 164	
2	S13,40	146	1	1	0	0	0	0	0	0	1	0	0	0	0	0	0	0	6	3	0	0	0	0	4	00 377	
9	DIV,30	147	1	1	0	0	0	0	0	0	2	0	0	0	0	0	0	0	6	0	3	0	0	0	0	16 346	
12	FSV,10	150	1	1	0	0	0	0	0	0	2	0	0	0	0	0	0	0	1	4	0	0	1	3	0	00 235	
1	MTP,10	151	0	0	0	0	0	0	0	0	1	0	0	0	0	0	0	0	7	3	0	0	0	0	0	00 146	
12	BRK,30	152	0	0	0	0	0	0	0	0	2	0	0	0	0	0	0	0	6	7	2	3	0	2	0	00 355	
14	EXM,20	153	1	1	0	0	0	0	0	0	2	0	0	0	0	0	0	0	0	0	0	0	0	0	0	00 134	
12	BRK,00	154	1	1	0	0	0	0	0	0	2	0	0	0	0	0	0	0	0	0	1	0	0	2	0	00 130	
5	D12,60	155	0	0	0	0	0	1	3	2	0	0	0	0	0	0	0	0	6	6	0	0	3	0	0	00 312	
2	RTI,10	156	0	0	0	0	0	0	0	0	2	0	0	0	0	0	0	0	6	6	3	0	2	0	0	00 212	
6	D10,40	157	0	0	0	0	0	0	0	0	2	0	0	0	0	0	0	0	6	0	3	0	2	0	0	00 331	
12	SER,00	160	0	0	0	0	0	0	0	0	2	0	0	0	0	0	0	0	0	0	0	0	1	1	0	00 344	
6	D50,20	161	0	0	0	0	0	0	0	0	2	0	0	0	0	0	0	0	7	0	3	0	2	0	0	00 231	
6	D10,00	162	0	0	0	0	0	0	0	0	1	0	0	0	0	0	0	0	7	0	0	0	0	0	0	00 231	
11	NEG,20	163	0	0	0	0	0	0	0	0	2	0	0	0	0	0	0	0	7	7	3	0	2	0	0	00 132	
1	FET,04	164	0	0	0	0	0	0	0	0	2	0	0	0	0	0	0	0	3	7	0	2	0	6	0	12 240	
9	DIV,70	165	1	0	0	0	0	0	0	0	2	0	0	0	0	0	0	0	0	0	2	0	0	7	0	04 323	
7	ASH,41	166	0	0	0	0	0	0	0	0	2	0	0	0	0	0	0	0	6	0	0	0	5	0	0	03 126	
14	CON,01	167	1	1	0	0	0	0	0	0	2	0	0	0	0	2	1	0	0	0	0	0	0	2	0	14 070	
14	CON,00	170	1	1	0	0	0	0	0	0	2	0	0	0	0	2	1	0	0	0	0	0	0	2	0	14 070	
6	D50,30	171	0	0	0	0	0	0	0	0	0	0	0	0	0	0	0	0	7	0	3	0	2	0	0	00 231	
2	RTI,60	172	0	0	0	0	0	0	0	0	1	0	0	0	0	0	0	0	6	0	0	0	0	0	0	00 217	
2	FOP,30	173	1	1	0	0	0	0	0	0	2	0	0	0	0	0	0	0	0	0	0	1	3	4	0	00 377	
2	FOP,20	174	0	0	0	0	0	0	0	0	2	0	0	0	0	0	0	0	6	0	0	3	0	2	0	10 133	
5	D12,10	175	1	1	0	0	0	0	0	0	2	0	0	0	0	0	0	0	6	6	0	0	3	2	0	05 137	
7	ASC,31	176	0	0	0	0	0	0	0	0	2	0	0	0	0	0	0	0	6	0	2	0	0	7	0	03 136	
6	D10,60	177	1	1	0	0	0	0	0	0	0	0	0	0	0	0	0	0	0	0	3	0	2	0	2	05 137	

DRN	<i>[Signature]</i>	DATE	3/23/72	TITLE	ROM & ROM CONTROL
CHKD	<i>[Signature]</i>	DATE	3/23/72		
ENG	<i>[Signature]</i>	DATE	3-28-72		
PROJ. ENG.	<i>[Signature]</i>	DATE	3-28-72		
PROJ.	<i>[Signature]</i>	DATE	3-30-72		
SHEET 13	OF 15			SIZE CODE	KCS
				NUMBER	M8103-0-1
				REV.	H

FLWS STATE	ADR	BRK	BRX	SRX	DRX	SRK	DRK	CCL	PCA	PCB	SHF	IRK	PWE	PAD	BSD	BAX	IBS	SHC	BCT	MSC	BSC	AMX	BMX	KMX	ALU	FEN	BEN	UAD
12 ZAP,02	200	0	0	0	0	0	0	0	0	0	2	0	0	0	0	1	0	0	7	6	0	0	0	0	0	2	0	06 352
11 JSR,12	201	1	0	0	0	1	0	3	0	0	2	0	0	7	0	1	0	0	0	6	0	2	0	0	0	2	0	00 274
4 D07,07	202	0	0	0	0	0	1	0	0	0	0	0	0	0	0	0	0	0	0	0	0	3	0	0	0	0	00 030	
4 D07,10	203	0	0	0	0	0	1	0	0	0	0	0	0	0	0	0	0	0	0	0	0	3	0	0	0	0	00 030	
4 D00,00	204	1	0	0	0	0	0	0	0	0	0	0	0	0	0	0	0	0	0	6	0	3	0	0	0	2	00 205	
4 D00,90	205	0	0	0	0	0	0	0	0	0	2	0	0	0	0	0	0	0	0	7	0	0	0	0	0	7	12 240	
8 MUL,40	206	1	0	0	0	0	0	1	4	0	3	0	0	0	0	1	0	0	0	6	0	3	0	0	0	2	00 310	
7 ASC,80	207	0	0	0	0	0	0	0	6	0	2	0	0	0	0	0	0	0	0	7	0	0	0	0	0	0	12 240	
3 NEG,90	210	0	0	0	0	0	0	0	1	0	2	0	0	5	0	0	0	0	0	6	0	2	0	0	0	3	00 217	
4 FOP,50	211	0	0	0	0	0	0	0	3	0	2	0	0	0	0	3	0	0	7	0	0	0	0	0	0	2	00 362	
2 RTI,20	212	1	1	0	0	0	0	3	0	0	2	0	2	7	0	2	0	0	0	0	0	0	0	0	1	3	00 213	
2 RTI,30	213	0	1	0	0	0	0	0	0	1	1	0	0	7	0	0	0	0	0	7	0	3	0	0	0	2	00 214	
2 RTI,40	214	1	1	0	0	0	0	0	0	0	2	0	2	7	0	2	0	0	0	0	0	0	0	0	0	0	00 215	
2 RTI,50	215	0	0	0	0	0	0	0	0	0	1	0	0	0	0	0	0	0	0	0	0	0	0	0	0	0	00 172	
10 DVC,10	216	1	0	0	0	0	0	0	0	0	1	2	0	4	0	0	0	0	0	0	0	3	0	0	0	3	00 256	
1 FET,00	217	0	0	0	0	0	0	0	0	0	2	1	0	0	0	1	0	0	3	7	0	2	0	0	0	6	12 240	
10 DVC,90	220	0	0	0	0	0	0	0	4	0	0	0	0	0	0	0	0	0	6	6	0	0	0	0	0	3	00 144	
5 D30,10	221	1	1	0	0	0	0	0	0	1	3	2	2	5	0	0	0	0	0	0	0	0	0	0	0	0	00 233	
13 SVC,90	223	0	0	0	0	0	0	0	0	0	1	2	0	7	0	0	0	0	0	7	5	0	0	0	0	0	00 300	
2 RTS,10	223	0	0	0	0	0	0	0	0	0	0	0	0	0	0	2	0	0	0	0	0	0	0	0	0	0	00 224	
2 RTS,20	224	1	1	0	0	0	0	0	0	0	1	0	0	0	0	2	0	0	0	0	0	2	0	0	0	0	00 342	
12 FSV,20	225	0	0	0	0	0	0	0	0	0	1	1	0	0	0	3	0	0	0	6	0	0	0	0	0	0	00 205	
8 MUL,50	226	1	0	0	0	0	0	1	4	0	2	0	2	4	0	0	0	0	0	6	0	3	0	0	0	7	10 310	
7 ASC,60	227	0	0	0	0	0	0	0	6	0	2	0	2	4	0	0	0	0	0	7	0	0	0	0	0	0	00 240	
14 CON,20	230	0	0	0	0	0	0	0	0	0	2	0	0	0	0	1	0	0	2	0	0	0	0	0	0	2	12 240	
6 D10,10	231	1	1	0	0	0	0	0	0	0	2	0	0	0	0	2	0	0	0	0	0	3	0	0	0	2	00 170	
9 DIV,20	232	0	0	0	0	0	0	0	0	0	0	0	0	0	0	0	0	0	0	0	0	0	0	0	0	0	00 233	
6 D10,20	233	0	0	0	0	0	0	3	0	0	2	0	0	0	0	0	0	0	0	6	0	3	0	0	0	2	00 241	
2 MRK,30	234	0	0	0	0	0	0	0	0	0	2	0	2	2	0	0	0	0	0	7	0	0	0	0	0	0	00 311	
2 MRK,20	235	1	1	0	0	0	0	0	0	0	2	0	2	7	0	3	0	0	0	0	0	0	0	0	1	2	12 240	
10 DVC,20	236	1	0	0	0	0	0	0	0	0	2	0	2	4	0	0	0	0	0	0	0	0	0	0	0	3	00 254	
1 FET,07	237	0	0	0	0	0	0	0	0	0	2	0	1	0	0	0	0	0	0	0	0	3	0	0	0	6	00 276	
																											12 240	

FLWS STATE	ADR	BRK	BRX	SRX	DRX	SRK	DRK	CCL	PCA	PCB	SHF	IRK	PWE	PAD	BSD	BAX	IBS	SHC	BCT	MSC	BSC	AMX	BMX	KMX	ALU	FEN	BEN	UAD
12 BRK,90	240	0	0	0	0	0	0	0	0	0	2	0	0	0	0	1	0	0	7	0	0	0	0	0	0	2	00 154	
9 DVP,00	241	1	0	0	0	0	0	0	0	0	2	0	0	0	0	2	0	0	0	0	0	0	0	0	0	2	00 103	
2 SOB,10	242	0	0	0	0	0	0	0	0	0	2	0	0	0	0	0	0	0	0	6	0	3	0	0	0	2	00 262	
9 DVN,60	243	1	0	0	0	0	0	0	0	0	2	0	0	0	0	0	0	0	0	0	0	0	0	0	0	2	00 107	
3 MAT,20	244	1	1	0	0	0	0	3	0	0	2	0	0	0	1	1	0	0	0	0	0	0	1	1	1	1	12 127	
12 FSV,00	245	1	1	0	0	0	0	0	0	0	1	0	0	6	0	0	0	0	1	4	0	0	0	0	0	0	00 150	
8 MUL,30	246	1	0	0	0	0	1	4	0	0	3	0	0	0	0	0	0	1	0	0	0	3	0	0	0	2	00 11 206	
7 ASC,30	247	0	0	0	0	0	1	5	0	0	2	0	2	7	0	0	0	0	7	6	0	2	0	0	0	7	00 136	
11 MFP,10	250	0	0	0	0	0	0	0	0	0	2	0	0	0	0	0	0	0	0	0	0	0	0	0	0	0	00 232	
6 D67,10	251	0	0	0	0	0	0	0	0	1	2	0	0	0	0	1	0	0	0	0	0	0	0	0	0	0	01 122	
2 MRK,10	252	0	0	0	0	0	0	0	0	0	2	0	0	0	0	0	0	0	0	0	0	0	0	0	0	0	00 235	
12 BRK,11	253	0	0	0	0	0	0	3	0	0	2	0	0	0	0	1	0	0	0	0	0	3	0	0	0	2	00 13 100	
9 DIV,10	254	0	0	0	0	0	0	4	0	0	2	0	0	0	0	2	0	0	0	0	0	0	0	0	0	2	00 232	
3 RES,10	255	0	0	0	0	0	0	0	0	0	2	0	0	0	0	0	0	0	4	0	0	0	0	0	0	0	00 374	
10 DVC,30	256	1	0	0	0	0	0	0	0	0	2	0	0	0	0	0	0	0	0	0	0	3	0	0	0	0	04 350	
7 ASH,40	257	0	0	0	0	0	0	0	0	0	2	0	2	0	0	0	0	0	0	0	0	0	0	0	0	0	03 126	
1 FET,10	260	1	1	0	0	0	0	0	1	0	2	1	0	0	0	1	0	0	0	6	0	1	0	0	0	0	00 343	
9 DVN,00	261	0	0	0	0	0	0	0	0	0	2	0	0	4	0	0	0	0	0	0	0	0	0	0	0	0	00 104	
2 SOB,20	262	0	0	0	0	0	0	0	0	0	2	0	0	0	0	0	0	0	0	0	0	0	0	0	0	0	12 240	
9 DVE,10	263	0	0	0	0	0	0	0	0	0	2	0	0	0	0	0	0	0	0	0	0	3	0	0	0	2	00 145	
3 MAT,10	264	0	0	0	0	0	0	0	0	0	2	0	0	0	0	1	0	0	0	0	0	0	0	0	0	0	00 011	
1 FET,09	265	0	0	0	0	0	0	0	0	0	2	1	0	0	0	0	0	0	3	7	0	2	0	0	0	0	12 240	
8 MUL,20	266	1	0	0	0	0	0	1	4	0	3	0	0	0	0	0	0	0	0	0	0	3	0	0	0	0	00 206	
7 ASC,40	267	0	0	0	0	0	0	1	1	0	3	0	2	0	0	0	0	0	0	0	0	2	0	0	0	0	03 227	
14 ADR,00	270	0	0	0	0	0	0	0	0	0	2	0	0	0	0	2	0	0	0	0	0	3	0	0	0	0	00 230	
11 NEG,10	271	1	0	0	0	0	0	0	0	0	2	0	0	0	0	0	0	0	0	0	0	3	0	0	0	3	05 123	
9 DVE,00	272	0	0	0	0	0	0	0	0	0	2	0	0	0	0	0	0	0	0	0	0	2	0	0	0	2	00 164	
3 MAT,11	273	0	0	0	0	0	0	0	0	0	2	0	0	0	0	0	0	0	0	0	0	0	0	0	0	2	00 011	
11 JSR,20	274	0	0	0	0	0	0	0	0	0	2	0	0	0	0	0	0	0	0	0	0	0	0	0	0	0	00 275	
11 JSR,30	275	0	0	0	0	0	0	0	0	0	1	0	0	0	0	0	0	0	0	0	0	0	0	0	0	0	00 300	
10 DVC,40	276	1	0	0	0	0	0	0	0	0	2	0	0	0	0	0	0	0	0	0	0	3	0	0	0	0	04 351	
7 ASH,30	277	0																										

ADP	BRK	BRX	SRX	DRX	SRK	DRK	CCL	PCA	PCB	SHF	IRK	PWE	PAD	BSD	BAX	IBS	SHC	BCT	MSC	BSC	AMX	BMX	KMX	ALU	FEN	BEN	UAD
13	SVC,10	300	0	0	0	0	0	0	0	0	0	0	0	0	0	0	0	0	0	6	5	3	0	2	0	00 217	
3	NEG,70	301	0	0	0	0	0	0	0	2	0	0	0	0	0	0	0	0	7	0	0	0	0	7	0	00 210	
12	ZAP,30	302	0	0	0	0	0	0	0	1	0	0	0	0	0	0	0	0	0	0	0	0	0	0	0	00 154	
14	DEP,120	303	0	0	0	0	0	0	0	2	0	0	0	0	0	0	0	0	0	0	5	3	0	0	0	00 230	
11	MFP,90	304	1	0	0	0	0	0	0	0	0	0	0	0	0	0	0	0	0	0	0	0	0	0	0	00 250	
7	ASH,20	305	0	0	0	0	0	0	0	0	0	0	0	0	0	0	0	0	0	0	0	0	0	0	0	03 217	
7	ASC,20	306	0	0	0	0	0	0	0	0	0	0	0	0	0	0	0	0	0	6	0	2	0	0	0	03 207	
14	RDP,10	307	0	0	0	0	0	0	0	0	0	0	0	0	0	0	0	0	0	0	0	0	0	0	0	00 230	
8	MUL,60	310	0	0	0	0	0	0	0	0	0	0	0	0	0	0	0	0	0	0	0	0	0	0	0	12 240	
6	D10,50	311	1	0	0	0	0	0	0	0	0	0	0	0	0	0	0	0	0	0	0	0	0	0	0	15 157	
5	D12,20	312	0	0	0	0	0	0	0	0	0	0	0	0	0	0	0	0	0	0	0	0	0	0	0	12 240	
9	DIV,60	313	0	0	0	0	0	0	0	0	0	0	0	0	0	0	0	0	0	0	0	0	0	0	0	05 145	
14	RAD,10	314	0	0	0	0	0	0	0	0	0	0	0	0	0	0	0	0	0	0	0	0	0	0	0	00 230	
12	ZAP,20	315	1	0	0	0	0	0	0	0	0	0	0	0	0	0	0	0	0	0	0	0	0	0	0	00 302	
4	FOP,70	316	0	0	0	0	0	0	0	0	0	0	0	0	0	0	0	0	0	0	0	0	0	0	0	17 316	
2	S13,20	317	0	0	0	0	0	0	0	0	0	0	0	0	0	0	0	0	0	0	0	0	0	0	0	00 143	
1	BXX,00	320	0	0	0	0	0	0	0	0	0	0	0	0	0	0	0	0	0	0	0	0	0	0	0	00 217	
1	FET,11	321	1	0	0	0	0	0	0	0	0	0	0	0	0	0	0	0	0	0	0	0	0	0	0	00 343	
1	FET,12	322	1	0	0	0	0	0	0	0	0	0	0	0	0	0	0	0	0	0	0	0	0	0	0	00 343	
9	DIV,80	323	1	0	0	0	0	0	0	0	0	0	0	0	0	0	0	0	0	0	0	0	0	0	0	00 343	
1	FET,13	324	1	0	0	0	0	0	0	0	0	0	0	0	0	0	0	0	0	0	0	0	0	0	0	03 125	
1	BXX,01	325	0	0	0	0	0	0	0	0	0	0	0	0	0	0	0	0	0	0	0	0	0	0	0	00 343	
1	BXX,02	326	0	0	0	0	0	0	0	0	0	0	0	0	0	0	0	0	0	0	0	0	0	0	0	00 217	
3	HLT,10	327	0	0	0	0	0	0	0	0	0	0	0	0	0	0	0	0	0	0	0	0	0	0	0	06 124	
1	BXX,03	330	0	0	0	0	0	0	0	0	0	0	0	0	0	0	0	0	0	0	0	0	0	0	0	00 217	
1	FET,01	331	0	0	0	0	0	0	0	0	0	0	0	0	0	0	0	0	0	0	0	0	0	0	0	12 240	
1	FET,02	332	0	0	0	0	0	0	0	0	0	0	0	0	0	0	0	0	0	0	0	0	0	0	0	12 240	
12	PUP,20	333	1	0	0	0	0	0	0	0	0	0	0	0	0	0	0	0	0	0	0	0	0	0	0	00 340	
1	FET,03	334	0	0	0	0	0	0	0	0	0	0	0	0	0	0	0	0	0	0	0	0	0	0	0	12 240	
1	BXX,04	335	0	0	0	0	0	0	0	0	0	0	0	0	0	0	0	0	0	0	0	0	0	0	0	00 217	
1	BXX,05	336	0	0	0	0	0	0	0	0	0	0	0	0	0	0	0	0	0	0	0	0	0	0	0	00 217	
13	XXX,XX	337	0	0	0	0	0	0	0	0	0	0	0	0	0	0	0	0	0	0	0	0	0	0	0	00 337	

ADP	BRK	BRX	SRX	DRX	SRK	DRK	CCL	PCA	PCB	SHF	IRK	PWE	PAD	BSD	BAX	IBS	SHC	BCT	MSC	BSC	AMX	BMX	KMX	ALU	FEN	BEN	UAD
12	PUP,30	340	0	0	0	0	0	0	0	0	0	0	0	0	0	0	0	0	0	0	0	0	0	0	0	00 341	
12	PUP,40	341	1	0	0	0	0	0	0	0	0	0	0	0	0	0	0	0	0	0	0	0	0	0	0	00 215	
2	RFS,30	342	0	0	0	0	0	0	0	0	0	0	0	0	0	0	0	0	0	0	0	0	0	0	0	00 377	
1	IKD,00	343	0	0	0	0	0	0	0	0	0	0	0	0	0	0	0	0	0	0	0	0	0	0	0	00 140	
12	SER,10	344	0	0	0	0	0	0	0	0	0	0	0	0	0	0	0	0	0	0	0	0	0	0	0	00 354	
12	RSD,10	345	0	0	0	0	0	0	0	0	0	0	0	0	0	0	0	0	0	0	0	0	0	0	0	00 333	
9	DIV,40	346	1	0	0	0	0	0	0	0	0	0	0	0	0	0	0	0	0	0	0	0	0	0	0	00 164	
12	PUP,10	347	0	0	0	0	0	0	0	0	0	0	0	0	0	0	0	0	0	0	0	0	0	0	0	00 220	
10	DVC,70	350	0	0	0	0	0	0	0	0	0	0	0	0	0	0	0	0	0	0	0	0	0	0	0	12 130	
10	DVC,80	351	0	0	0	0	0	0	0	0	0	0	0	0	0	0	0	0	0	0	0	0	0	0	0	00 145	
12	BRK,01	352	1	0	0	0	0	0	0	0	0	0	0	0	0	0	0	0	0	0	0	0	0	0	0	00 355	
10	DVD,10	353	0	0	0	0	0	0	0	0	0	0	0	0	0	0	0	0	0	0	0	0	0	0	0	00 065	
12	TRP,10	354	0	0	0	0	0	0	0	0	0	0	0	0	0	0	0	0	0	0	0	0	0	0	0	12 240	
13	SVC,00	355	1	0	0	0	0	0	0	0	0	0	0	0	0	0	0	0	0	0	0	0	0	0	0	00 351	
1	FET,08	356	0	0	0	0	0	0	0	0	0	0	0	0	0	0	0	0	0	0	0	0	0	0	0	00 364	
13	SVC,20	357	1	0	0	0	0	0	0	0	0	0	0	0	0	0	0	0	0	0	0	0	0	0	0	00 360	
13	SVC,30	360	1	0	0	0	0	0	0	0	0	0	0	0	0	0	0	0	0	0	0	0	0	0	0	00 367	
3	SPL,10	361	0	0	0	0	0	0	0	0	0	0	0	0	0	0	0	0	0	0	0	0	0	0	0	00 250	
4	FOP,60	362	1	0	0	0	0	0	0	0	0	0	0	0	0	0	0	0	0	0	0	0	0	0	0	00 316	
9	DIV,90	363	1	0	0	0	0	0	0	0	0	0	0	0	0	0	0	0	0	0	0	0	0	0	0	00 125	
13	XXX,XX	364	0	0	0	0	0	0	0	0	0	0	0	0	0	0	0	0	0	0	0	0	0	0	0	00 364	
13	XXX,XX	365	0	0	0	0	0	0	0	0	0	0	0	0	0	0	0	0	0	0	0	0	0	0	0	00 365	
9	DIV,50	366	1	0	0	0	0	0	0	0	0	0	0	0	0	0	0	0	0	0	0	0	0	0	0	00 313	
13	SVC,40	367	0	0	0	0	0	0	0	0	0	0	0	0	0	0	0	0	0	0	0	0	0	0	0	00 037	
10	DVC,50	370	0	0	0	0	0	0	0	0	0	0	0	0	0	0	0	0	0	0	0	0	0	0	0	00 351	
10	DVC,60	371	0	0	0	0	0	0	0	0	0	0	0	0	0	0	0	0	0	0	0	0	0	0	0	00 350	
12	ZAP,10	372	0	0	0	0	0	0	0	0	0	0	0	0	0	0	0	0	0	0	0	0	0	0	0	00 315	
1	FET,06	373	0	0	0	0	0	0	0	0	0	0	0	0	0	0	0	0	0	0	0	0	0	0	0	12 240	
3	RES,20	374	0	0	0	0	0	0	0	0	0	0	0	0	0	0	0	0	0	0	0	0	0	0	0	10 334	
4	FOP,90	375	0	0	0	0	0	0	0	0	0	0	0	0	0	0	0	0	0	0	0	0	0	0	0	00 316	
4	FOP,80	376	1	0	0	0	0	0	0	0	0	0	0	0	0	0	0	0	0	0	0	0	0	0	0	00 375	
13	XXX,XX	377	0	0	0	0	0	0	0	0	0	0	0	0	0	0	0	0	0	0	0	0	0	0	0	00 377	

DRN	DATE	TITLE
<i>[Signature]</i>	5/23/72	ROM & ROM CONTROL
CHK'D	DATE	
<i>[Signature]</i>	3/23/72	
ENG	DATE	
<i>[Signature]</i>	3-26-72	
PROJ.ENG	DATE	
<i>[Signature]</i>	3-26-72	(ADR 300-377)
PROD.	DATE	
<i>[Signature]</i>	3-30-72	
	SIZE	NUMBER
	KCS	M 81030-1
		REV.
		H