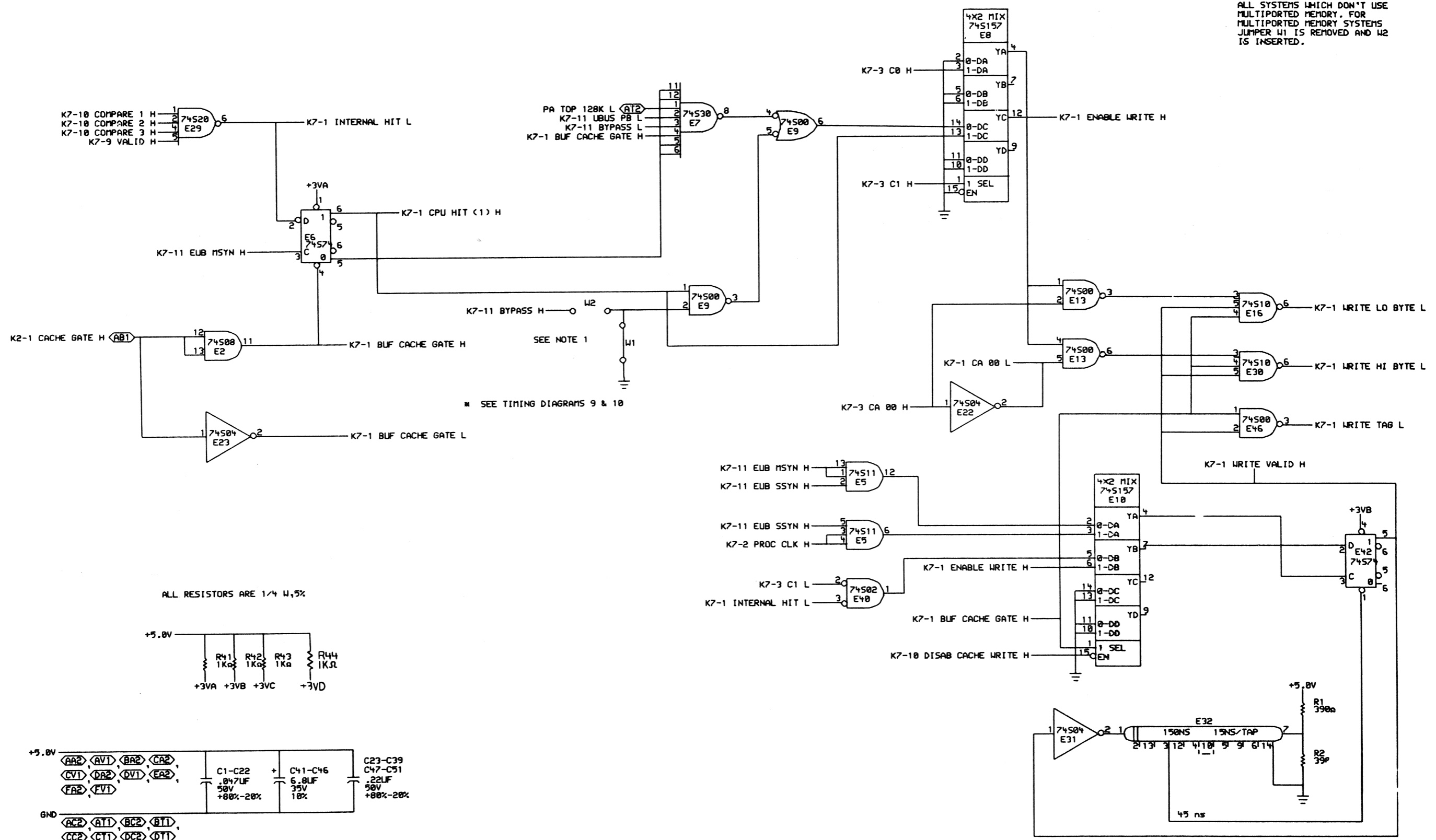
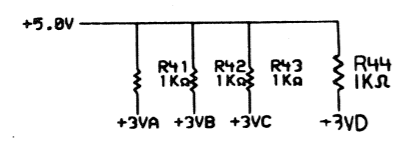


NOTE 1: JUMPER W1 IS INSTALLED FOR ALL SYSTEMS WHICH DON'T USE MULTIPORTED MEMORY. FOR MULTIPORTED MEMORY SYSTEMS JUMPER W1 IS REMOVED AND W2 IS INSERTED.



ALL RESISTORS ARE 1/4 W, 5%

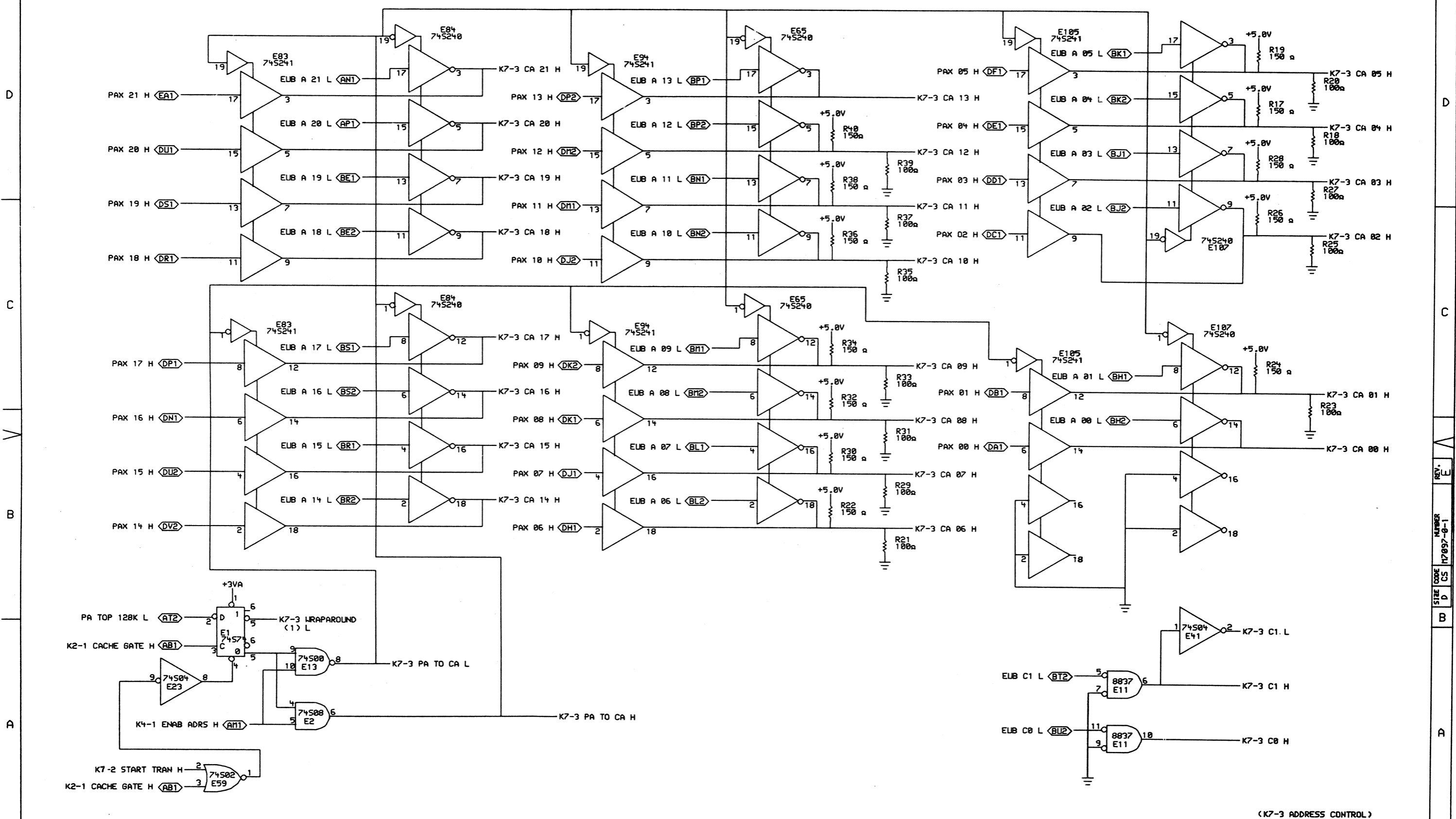


+5.0V	AA2, AV1, BA2, CA2, CV1, DA2, DV1, EA2, FA2, FV1	C1-C22 0.047UF 50V +80%-20%	C41-C46 6.8UF 35V 10%	C23-C39 C47-C51 .22UF 50V +80%-20%
GND	AC2, AT1, BC2, BT1, CC2, CT1, DC2, DT1, EC2, ET1, FC2			

(K7-1 WRITE CONTROL LOGIC)

THIS DRAWING AND SPECIFICATIONS ARE THE PROPERTY OF DIGITAL EQUIPMENT CORPORATION AND SHALL NOT BE REPRODUCED OR COPIED IN WHOLE OR IN PART AS A BASIS FOR THE MANUFACTURE OR SALE OF ITEMS WITHOUT WRITTEN PERMISSION. COPYRIGHT © 1979, DIGITAL EQUIPMENT CORPORATION.		REVISIONS CHK CHANGE NO. REV QC M7097-T, W001 C W. SULLIVAN 4.3.81/EA	# M7097-TW002 D 11/28/79 W. SULLIVAN 4.3.81/EA	# M7097-M, 003 E S. CORMIER 14 MAR 83 2-6-80 11/28/79	digital [150,5500]709701.DRW FIRST USED ON OPTION MODEL: 11/44	DATE: 25-JUN-79 DATE: 29-JUN-79 DATE: 26-JUN-79 19:06 NEXT HIGHER ASSEMBLY: B-DD-M7097-0	DATE: 19-JUN-79 BOARD LOCATION: DE 13 SIZE CODE: D CS NUMBER: M7097-0-1 REV.: E	TITLE: KK11B CACHE
--	--	--	--	--	--	---	---	--------------------





(K7-3 ADDRESS CONTROL)

THIS DRAWING AND SPECIFICATIONS HEREIN ARE THE PROPERTY OF DIGITAL EQUIPMENT CORPORATION AND SHALL NOT BE REPRODUCED OR COPIED OR USED IN WHOLE OR IN PART AS THE BASIS FOR THE MANUFACTURE OR SALE OF ITEMS WITHOUT WRITTEN PERMISSION. COPYRIGHT © 1979, DIGITAL EQUIPMENT CORPORATION.

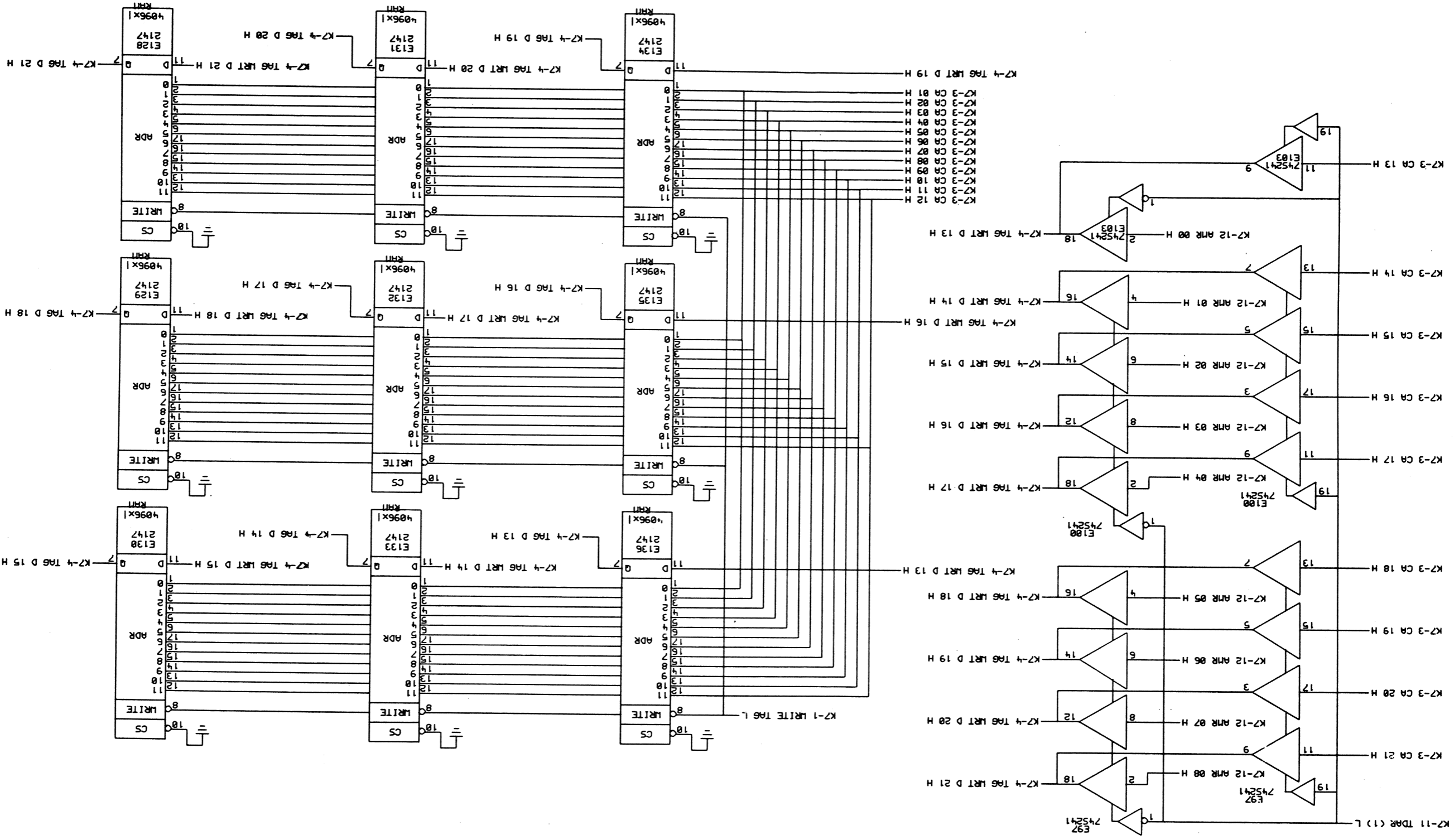
REVISIONS	
CHK	CHANGE NO. / REV

digital	DRN: <i>W. Fisher</i>	DATE: 25-JUN-79	ENG: <i>M. J. ...</i>	DATE: 29-JUN-79	TITLE: <b>KK11B CACHE</b>
	DATE: <i>9-00</i>	DATE: <i>9-00</i>	BOARD LOCATION: <i>3 OF 13</i>	SHEET: <i>3 OF 13</i>	
FIRST USED ON OPTION/MODEL: 11/44			NEXT HIGHER ASSEMBLY: B-DD-M7097-0		
SIZE	CODE	NUMBER	REV.		
D	CS	M7097-0-1	E		

THIS DRAWING AND SPECIFICATIONS ARE THE PROPERTY OF  
 GENERAL ELECTRIC COMPANY AND ARE NOT TO BE REPRODUCED OR  
 COPIED IN ANY MANNER WITHOUT THE WRITTEN PERMISSION.  
 THE BASIS FOR THE DRAWING IS THE  
 CHECKED BY: [Signature]  
 DATE: [Date]  
 BOARD LOCATION: [Location]  
 TITLE: [Title]

REV. E  
 NUMBER M7097-0-1  
 SIZE CODE CS  
 D CS M7097-0-1  
 FIRST USED ON OPTION/MODEL: 11/44  
 B-DD-M7097-0  
 DATE: 26 JUN 79 19:08  
 CKT HIGHER ASSEMBLY: [Blank]  
 DATE: [Blank]  
 BOARD LOCATION: [Blank]

(K7-4 TAG FIELD)

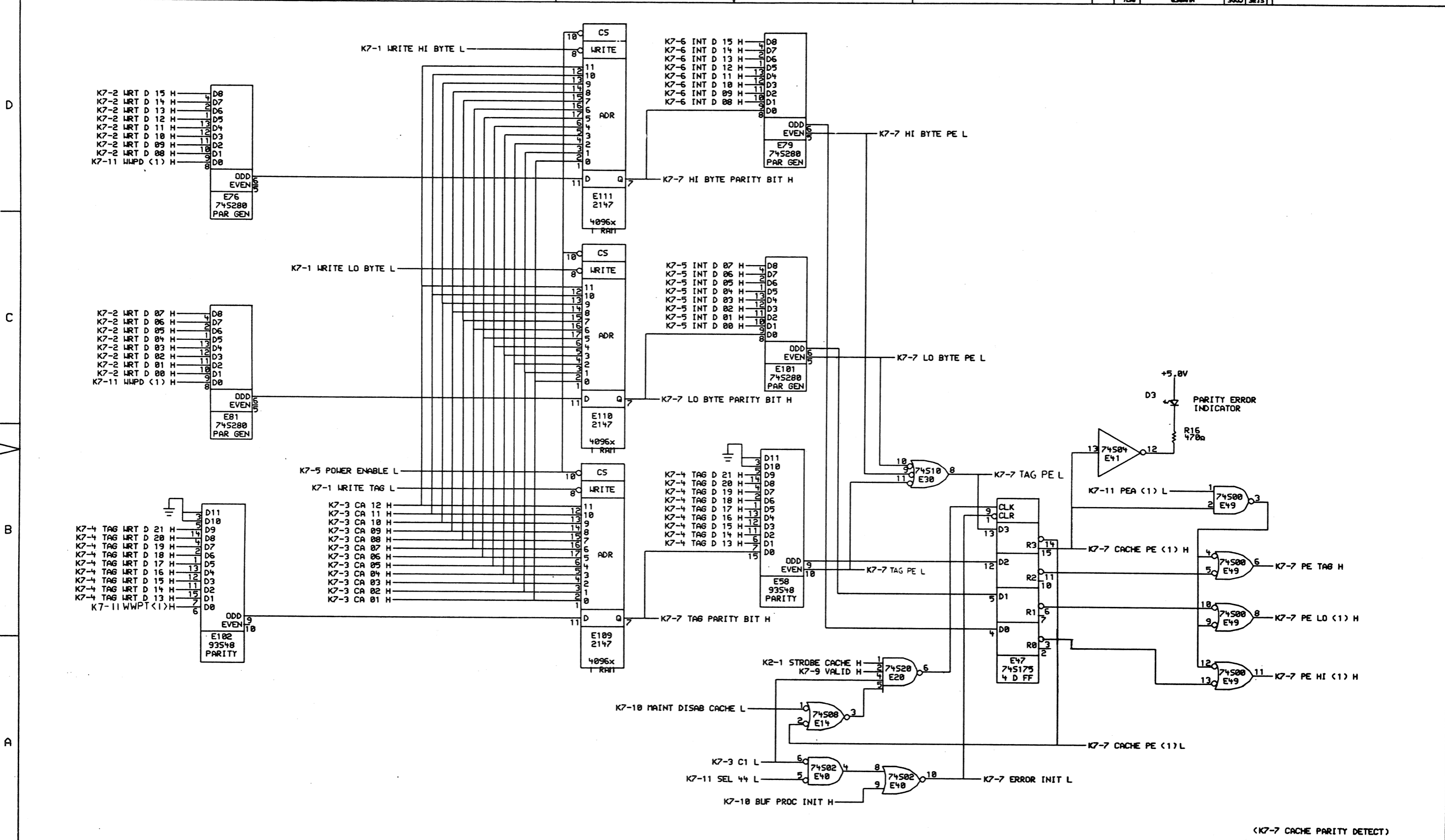


REV. E  
 NUMBER M7097-0-CA04  
 SIZE CODE CS  
 D CS M7097-0-CA04

REV. E  
 NUMBER M7097-0-CA04  
 SIZE CODE CS  
 D CS M7097-0-CA04







THIS DRAWING AND SPECIFICATIONS ARE THE PROPERTY OF DIGITAL EQUIPMENT CORPORATION AND SHALL NOT BE REPRODUCED OR COPIED OR USED IN WHOLE OR IN PART AS THE BASIS FOR THE MANUFACTURE OR SALE OF ITEMS WITHOUT WRITTEN PERMISSION. COPYRIGHT © 1979, DIGITAL EQUIPMENT CORPORATION.

REVISIONS		
CHK	CHANGE NO.	REV

digital	DRN	DATE	ENG.	DATE	TITLE:
	CHK	26-JUN-79	M. Hill	29-JUN-79	KK11B CACHE
FIRST USED ON OPTION MODEL: 11/44		NEXT HIGHER ASSEMBLY: B-DD-M7097-0		SIZE CODE	NUMBER
D	CS	M7097-0-1	REV.	E	

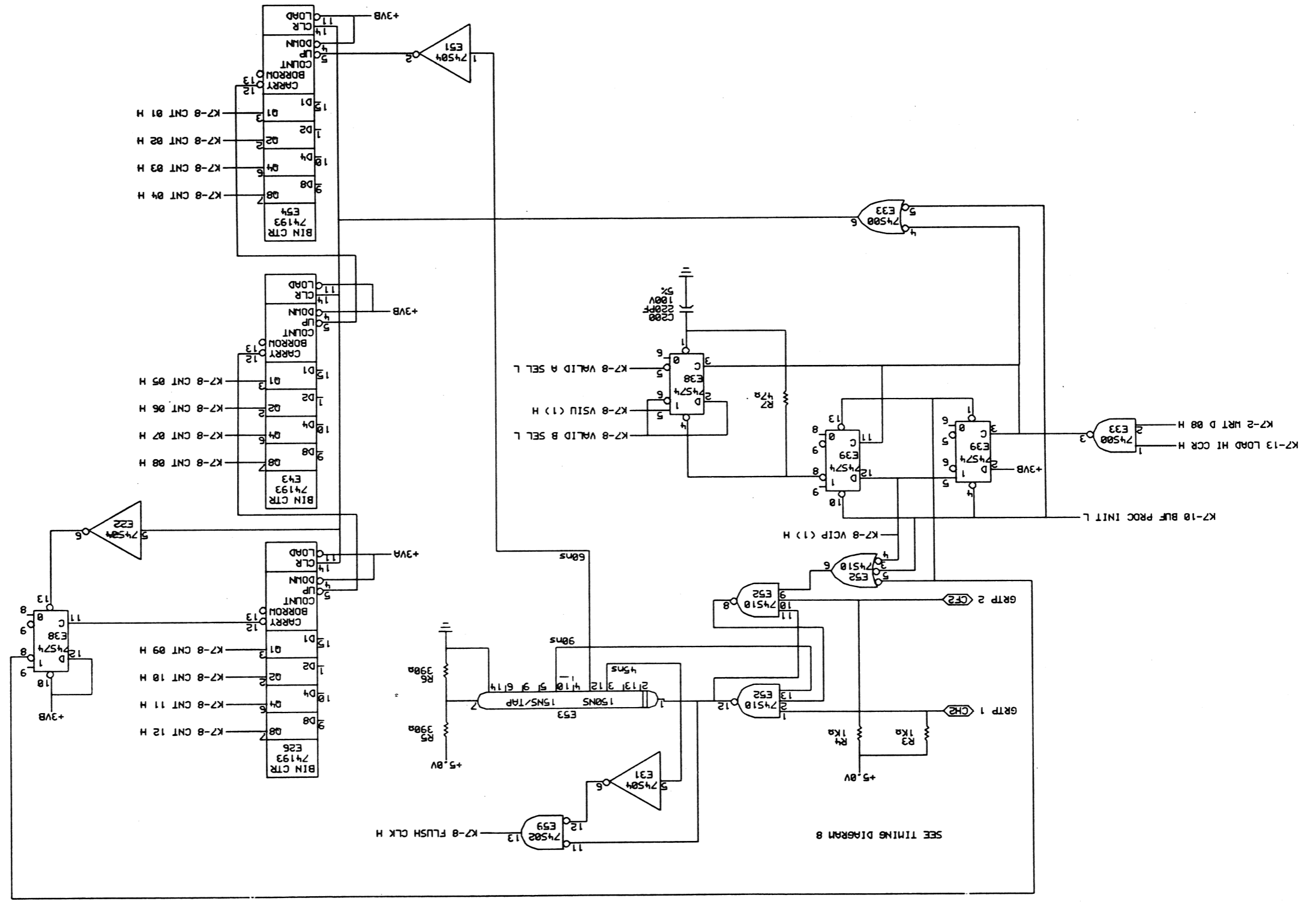
THIS DRAWING AND SPECIFICATIONS ARE THE PROPERTY OF DIGITAL EQUIPMENT CORPORATION AND SHALL NOT BE REPRODUCED OR COPIED IN WHOLE OR IN PART AS A BASIS FOR THE MANUFACTURE OF PERMITS, COPIES, OR REVISIONS, WITHOUT WRITTEN PERMISSION. COPYRIGHT © 1979, DIGITAL EQUIPMENT CORPORATION.

REV. E  
 NUMBER M7097-0-1  
 SIZE CODE CS

TITLES  
 KK11B CACHE

1 2 3 4 5 6 7 8

EACH FLUSH CYCLE TAKES ABOUT 800 MICRO SECONDS



(K7-8 FLUSH CONTROL)

SIZE CODE CS  
 NUMBER M7097-0-1

REV. E  
 NUMBER 1-8-7657  
 SIZE CODE CS

1 2 3 4 5 6 7 8

D

C

V

B

A

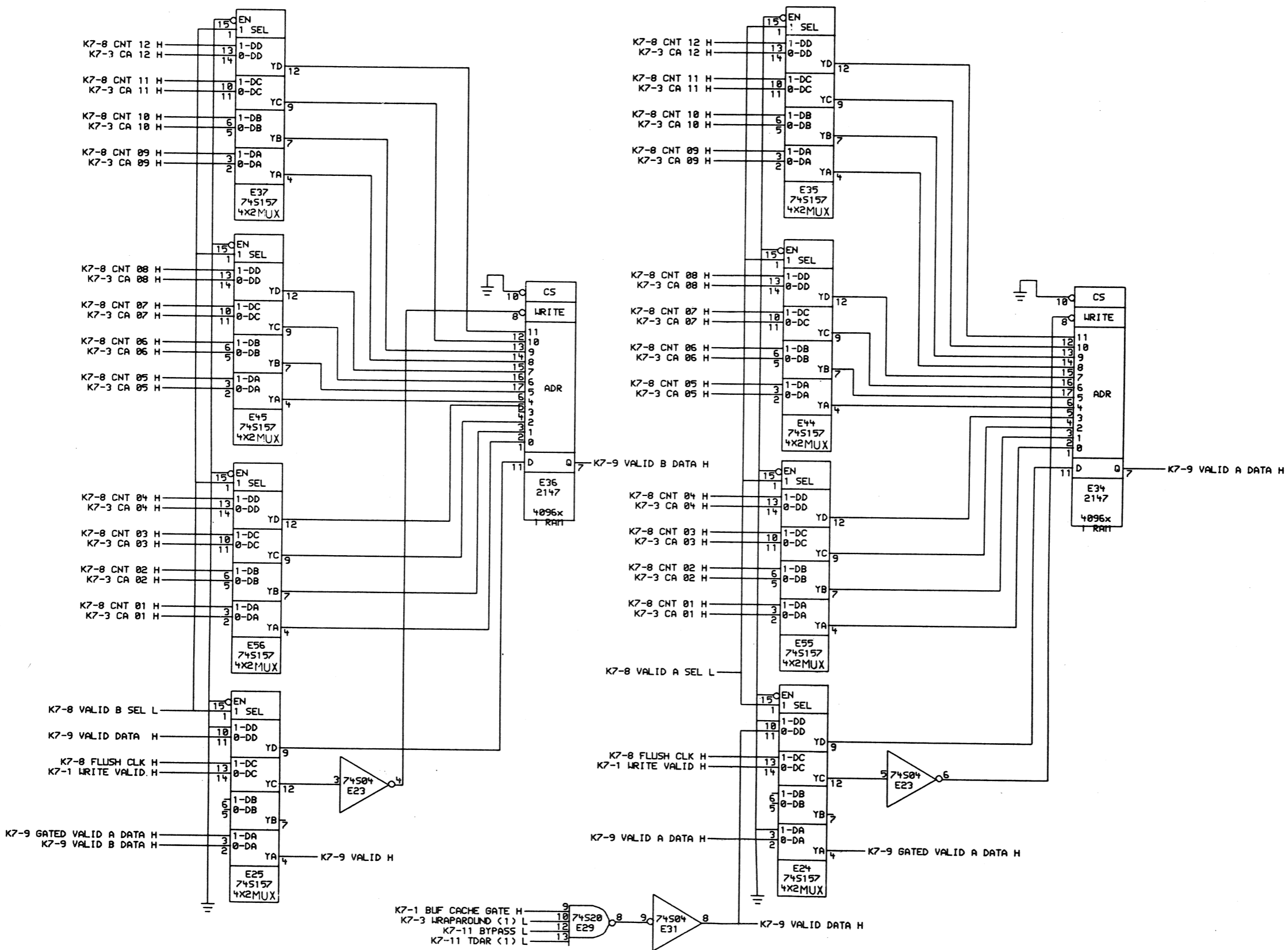
D

C

V

B

A



(K7-9 CACHE VALID BITS)

THIS DRAWING AND SPECIFICATIONS ARE THE PROPERTY OF DIGITAL EQUIPMENT CORPORATION AND SHALL NOT BE REPRODUCED OR COPIED OR USED IN WHOLE OR IN PART AS THE BASIS FOR THE MANUFACTURE OR SALE OF ITEMS WITHOUT WRITTEN PERMISSION. COPYRIGHT © 1979, DIGITAL EQUIPMENT CORPORATION.

REVISIONS	
CHK	CHANGE NO. REV

digit@	DRN <i>W. Fisher</i>	DATE ENG. <i>26-JUN-79</i>	DATE <i>29-JUN-79</i>	TITLE: <b>KK11B CACHE</b>
	CHK'D <i>W. Fisher</i>	DATE BOARD LOCATION: <i>29-JUN-79</i>	SHEET <i>9</i> OF <i>13</i>	SIZE CODE D CS M7097-0-1
FIRST USED ON OPTION/MODEL: <i>11/44</i>		NEXT HIGHER ASSEMBLY: <i>B-DD-M7097-0</i>		NUMBER <i>1</i>

REV. E  
NUMBER M7097-0-1  
SIZE CODE CS  
D CS M7097-0-1  
REV. E

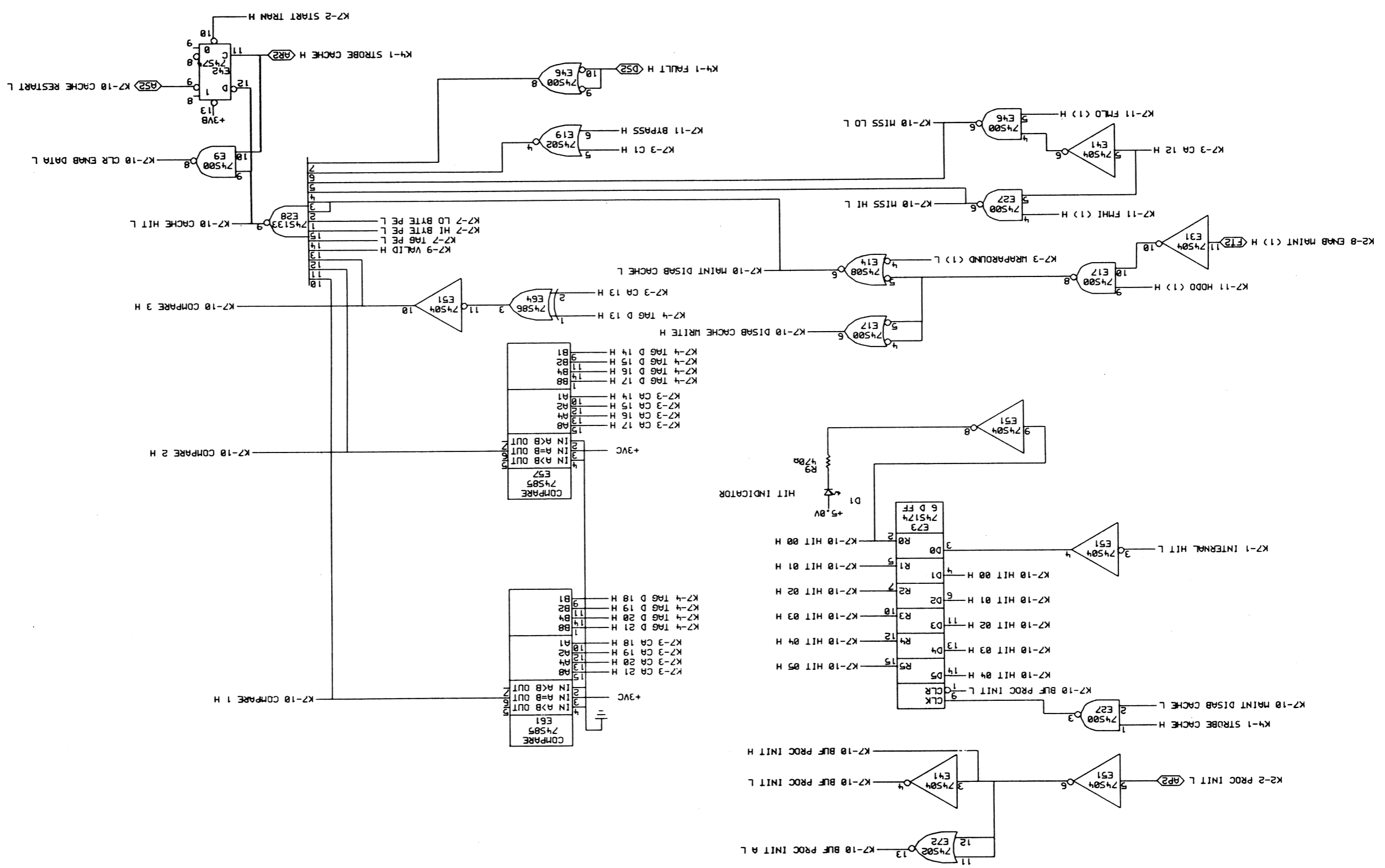
THIS DRAWING AND SPECIFICATIONS ARE THE PROPERTY OF DIGITAL EQUIPMENT CORPORATION AND SHALL NOT BE REPRODUCED OR COPIED IN WHOLE OR IN PART AS THE BASIS FOR THE MANUFACTURE OF PARTS OR USED IN CONNECTION WITH THE SALE OF ITEMS WITHOUT WRITTEN PERMISSION. COPYRIGHT © 1974 DIGITAL EQUIPMENT CORPORATION.

REV.	NO.	DESCRIPTION
E	1	INITIAL RELEASE

DATE: 11/4/74  
 DRAWN BY: [Signature]  
 CHECKED BY: [Signature]  
 DATE: 12/10/74  
 BOARD LOCATION: [Blank]  
 SHEET: 10 OF 13  
 SIZE CODE: D CS  
 NUMBER: M7097-0-1  
 REV. E

**KK11B CACHE**

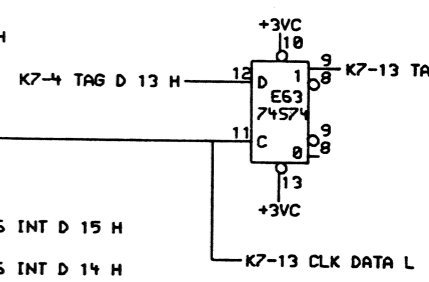
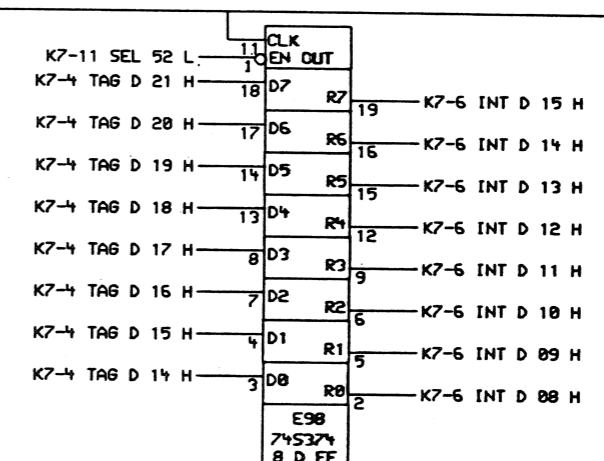
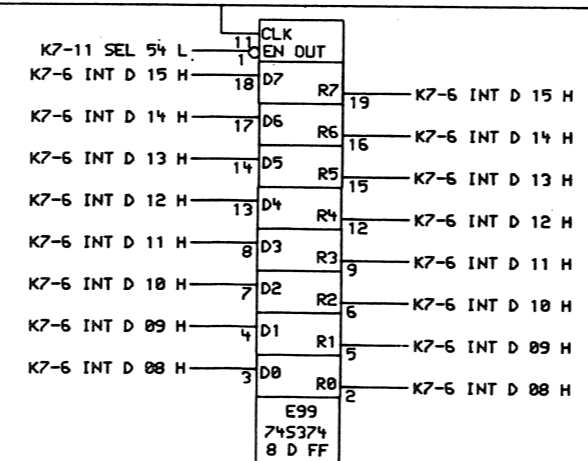
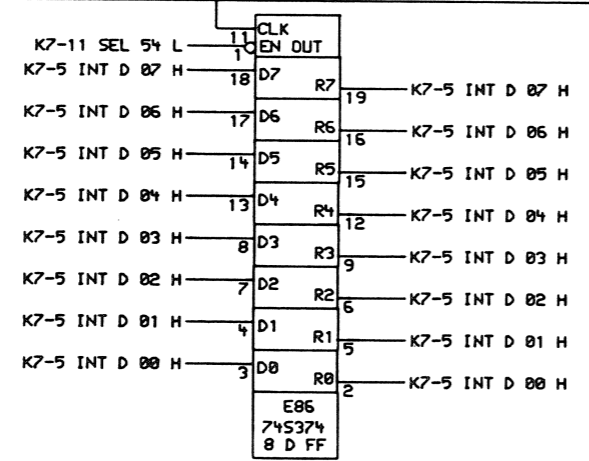
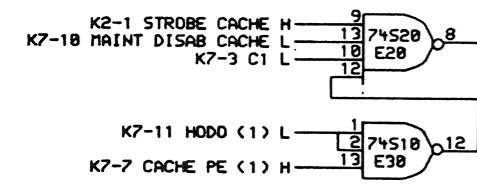
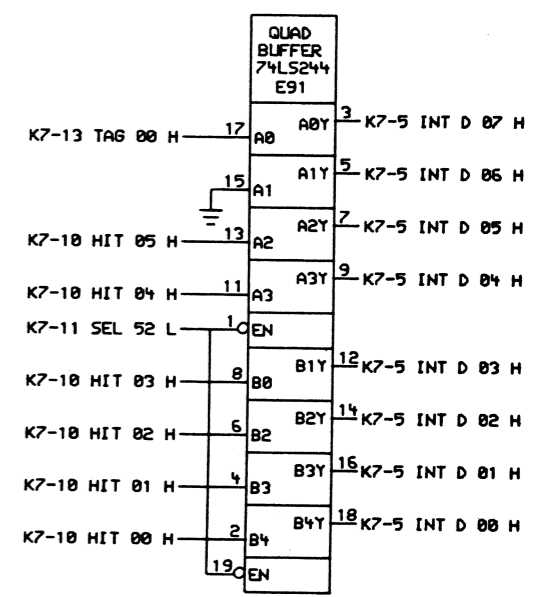
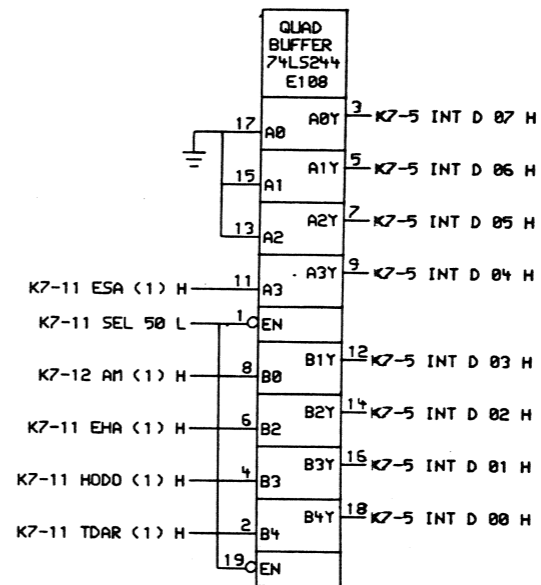
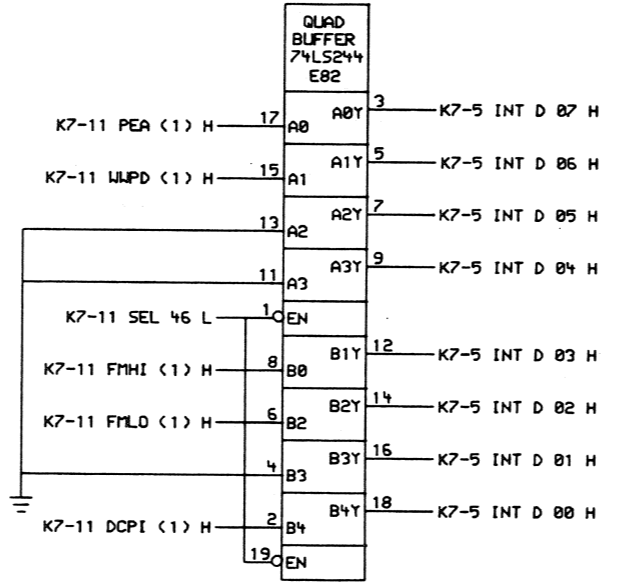
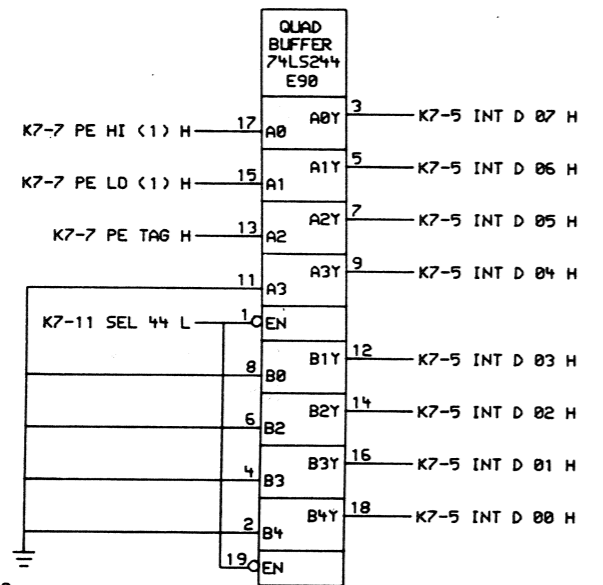
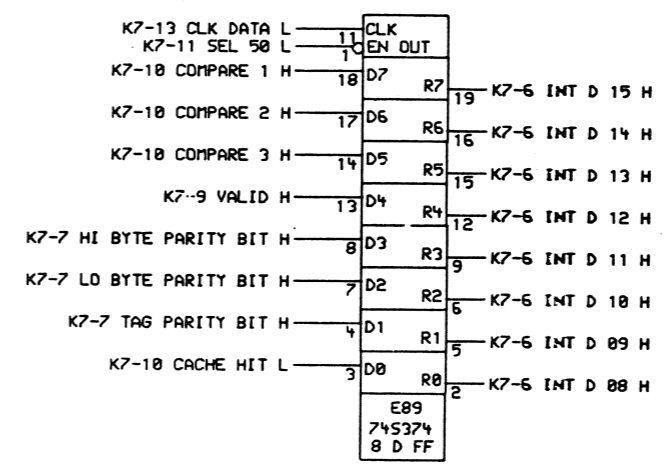
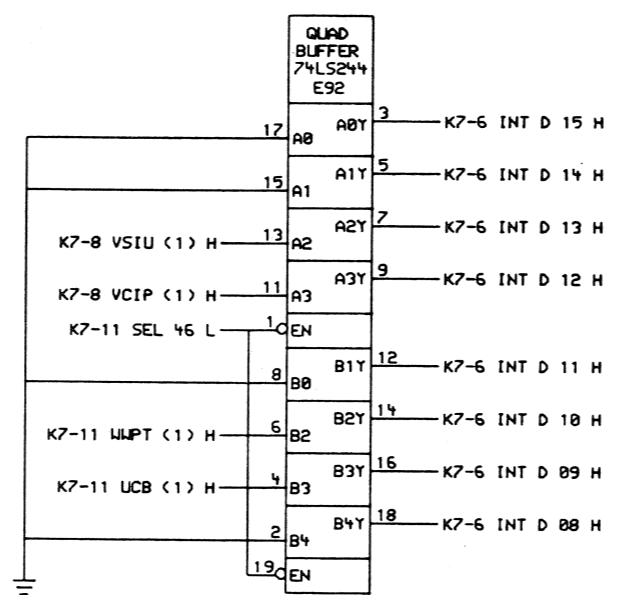
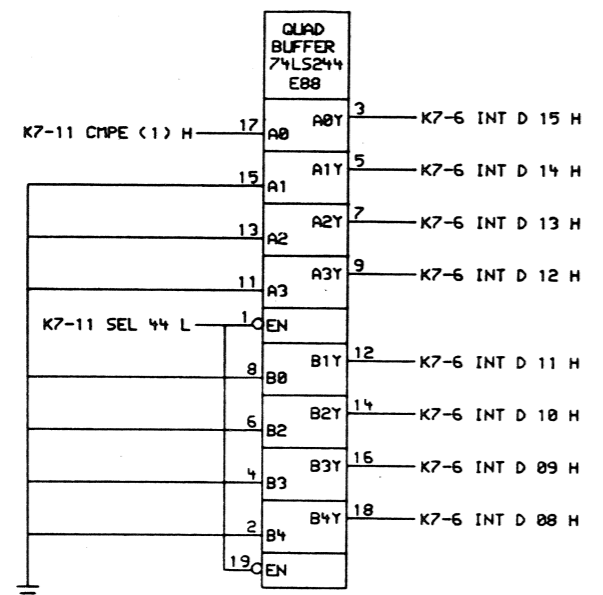
SEE TIMING DIAGRAM 7  
 (K7-10 HIT DETECT)



REV. E  
 NUMBER M7097-0-1  
 SIZE CODE D CS







(K7-13 RAM DATA & REG MLX)

THIS DRAWING AND SPECIFICATIONS HEREBY ARE THE PROPERTY OF DIGITAL EQUIPMENT CORPORATION AND SHALL NOT BE REPRODUCED OR COPIED OR USED IN WHOLE OR IN PART AS THE BASIS FOR THE MANUFACTURE OR SALE OF ITEMS WITHOUT WRITTEN PERMISSION. COPYRIGHT © 1979, DIGITAL EQUIPMENT CORPORATION.

REVISIONS	
CHK	CHANGE NO. REV

digital	DATE	25-JUN-79	DATE	29-JUN-79	TITLE:	KK11B CACHE	
	CHK'D	W. Fisher	DATE	29-JUN-79	BOARD LOCATION:	13 OF 13	
FIRST USED ON OPTION/MODEL:		11/44	NEXT HIGHER ASSEMBLY:		B-DD-M7097-0	SIZE CODE	D CS
NUMBER						M7097-0-1	REV. E