

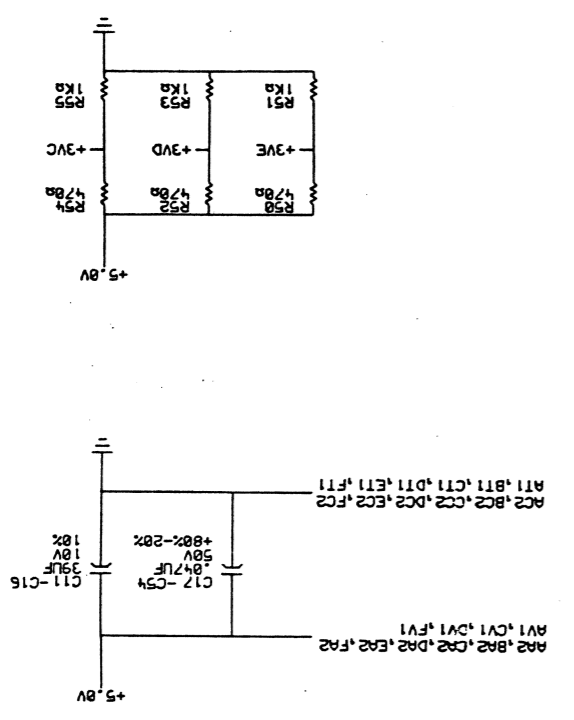
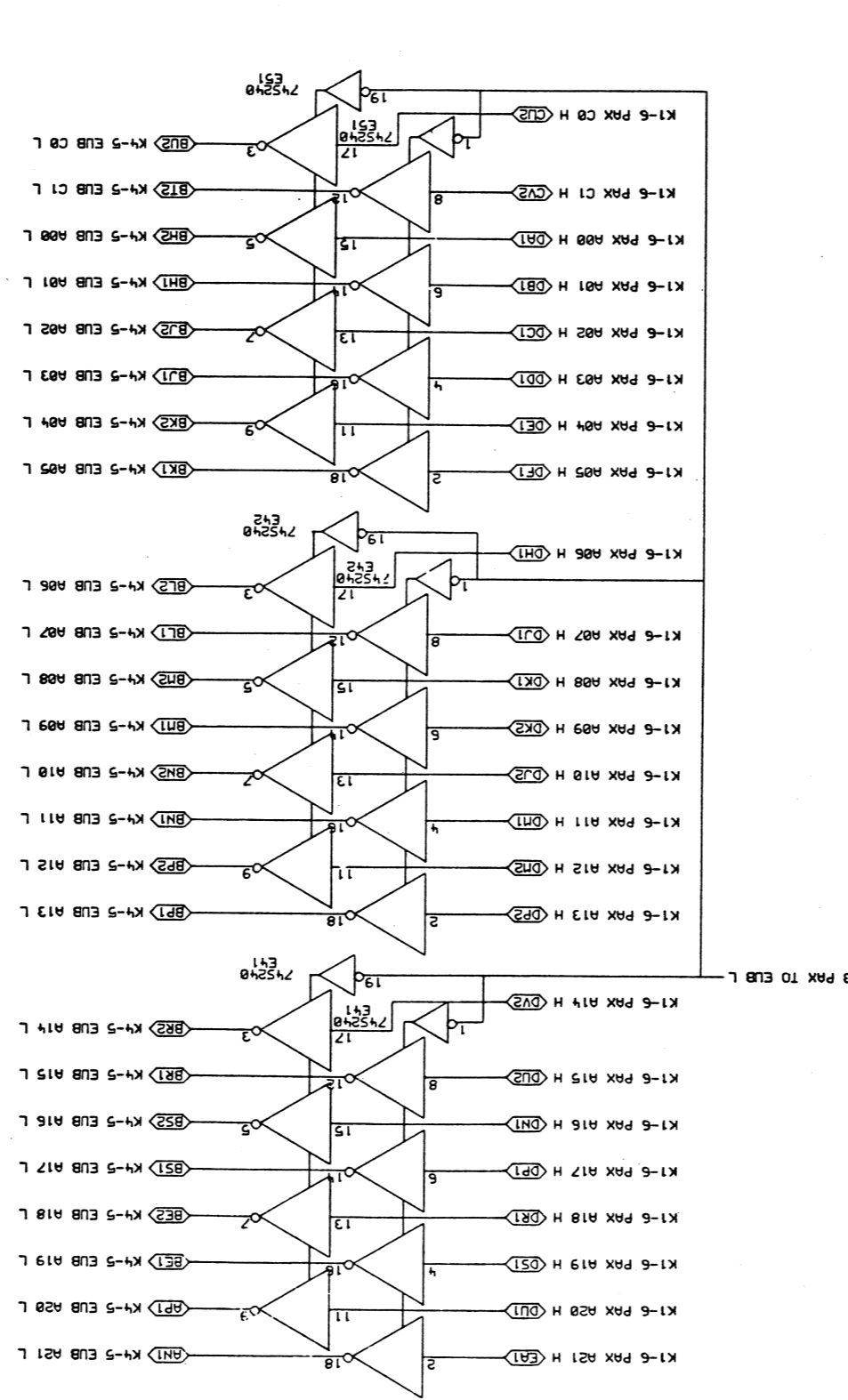
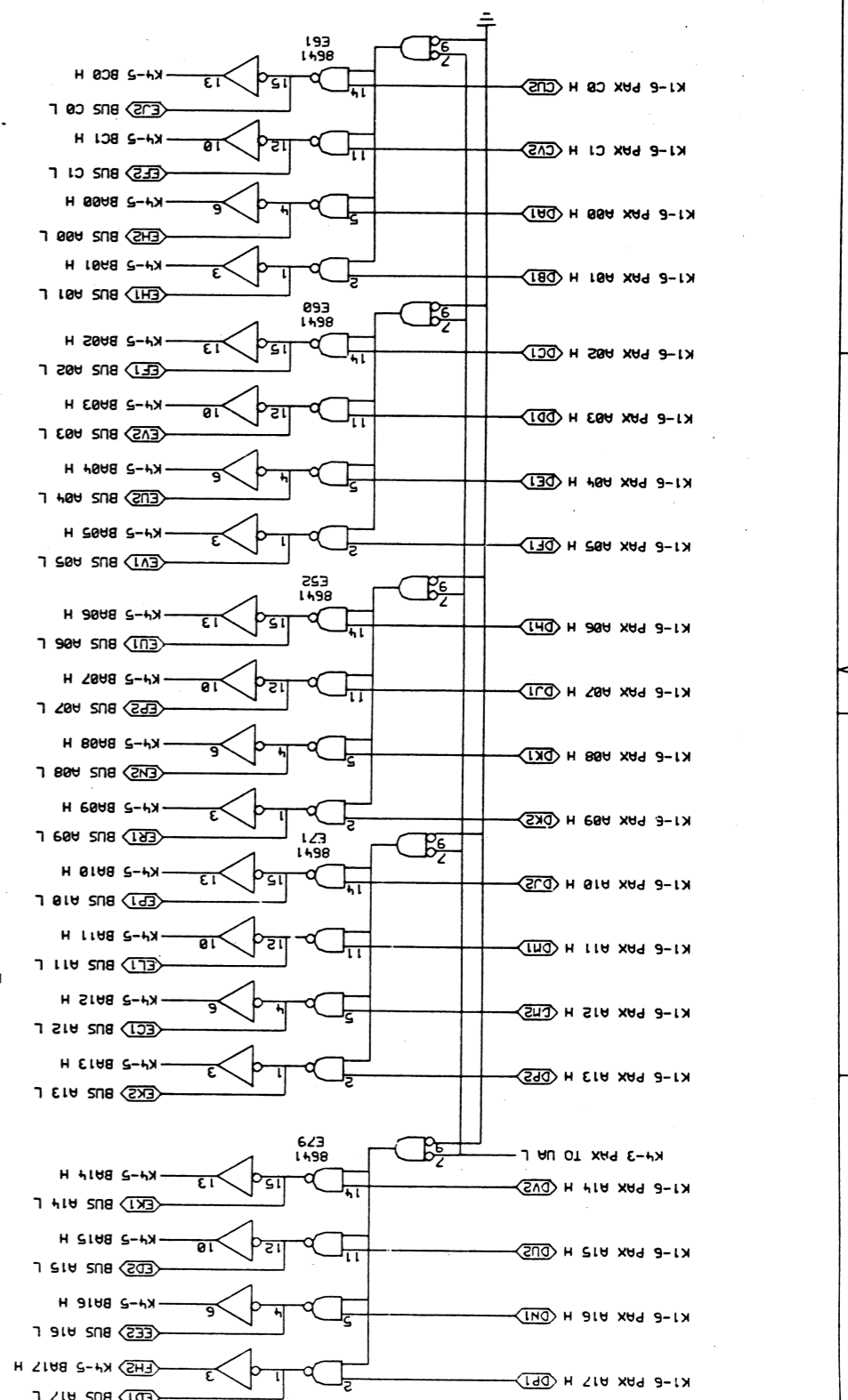
- NOTES:
1. W3-W7 SELECT UPPER LIMIT, W8-W12 LOWER LIMIT
 2. W2 DISABLES DIAGNOSTIC ROM WHEN REMOVED
 3. ALL JUMPERS ARE IN FOR NORMAL OPERATION.
 4. S2(E28) WHEN OPEN DISABLES INTERNAL BOOT
 5. (105) IS DLY LINE TAP IN NS.

THIS DRAWING AND SPECIFICATIONS ARE THE PROPERTY OF DIGITAL EQUIPMENT CORPORATION AND SHALL NOT BE REPRODUCED OR COPIED OR USED IN WHOLE OR IN PART AS THE BASIS FOR THE MANUFACTURE OR SALE OF ITEMS WITHOUT WRITTEN PERMISSION. COPYRIGHT © 1979 DIGITAL EQUIPMENT CORPORATION

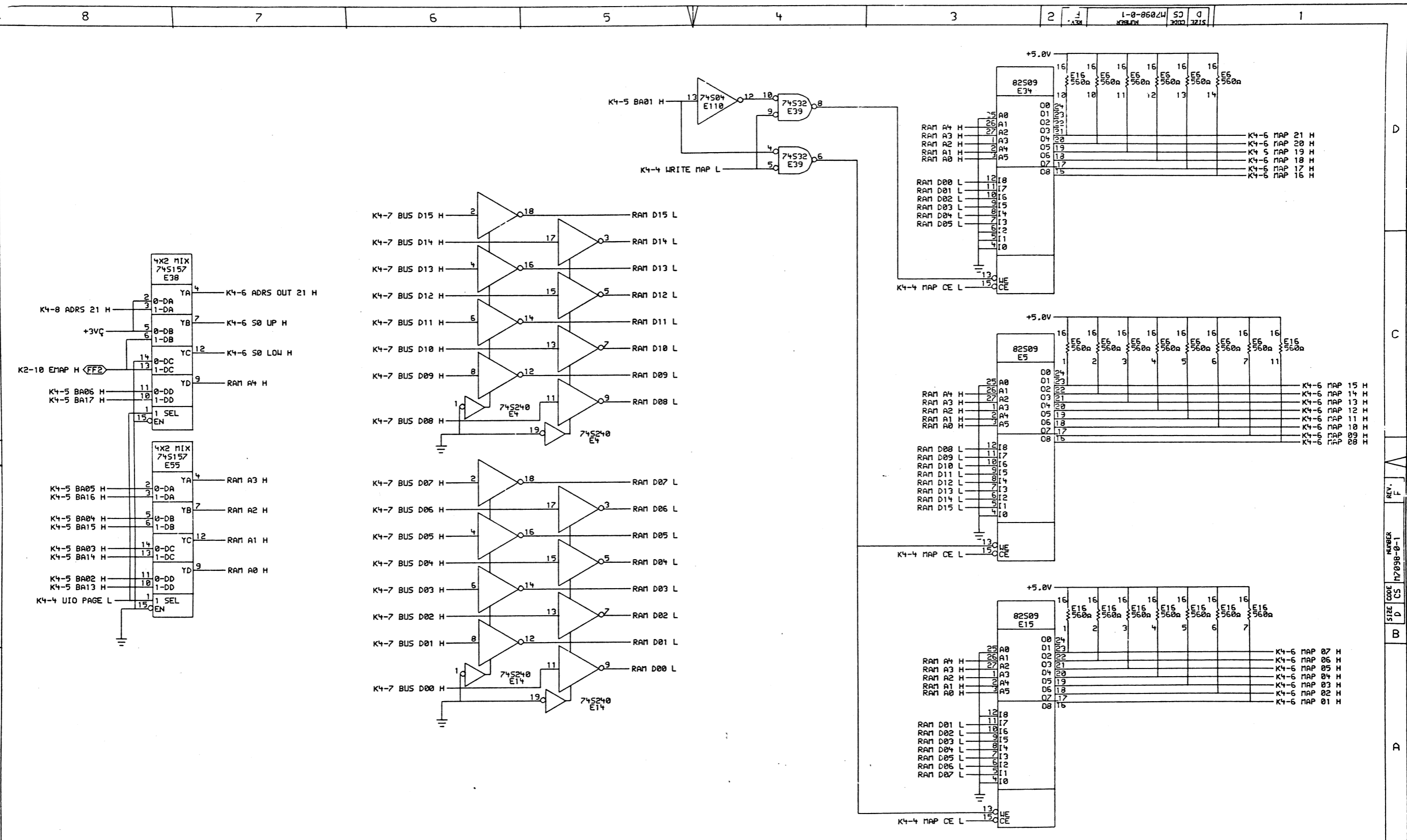
REVISIONS	CHK	CHANGE NO.	REV.

	DATE	19-OCT-79	ENG.		DATE	
	CHK					
TITLE: (K4-4) UBI MODULE (BOOT, MAP ADRS DEC)		SHEET 4 OF 11		BOARD LOCATION:		
FIRST USED ON OPTION/MODEL: 11/44		NEXT HIGHER ASSEMBLY: B-DD-M7098-0		NUMBER		
SIZE CODE		D CS M7098-0-1		REV.		F

REV. 1	REV. 2	REV. 3	REV. 4	REV. 5	REV. 6	REV. 7	REV. 8
THIS DRAWING AND SPECIFICATIONS ARE THE PROPERTY OF THE COMPANY AND SHALL NOT BE REPRODUCED OR COPIED IN ANY MANNER WITHOUT THE WRITTEN PERMISSION OF THE COMPANY. THE BASIS FOR THE FACTORS OR DEPARTMENTS OF THE COMPANY IS NOT TO BE USED IN CONNECTION WITH THE COMPANY'S PRODUCTS OR SERVICES.							
REVISIONS CHG. NO. REV.							
FIRST USED ON OPTION/MODEL: 11/44 C 160, 257 JK458, DRU 16-OCT-79 15:07 NEXT ASSEMBLY: B-DD-M7098-0 DATE: 19-OCT-79 CHECKED: [Signature] DATE: 19-OCT-79 TITLE: (K4-5) UBI MODULE (PAX TO EUB, UBI)							
REV. 1	REV. 2	REV. 3	REV. 4	REV. 5	REV. 6	REV. 7	REV. 8



REV. 1	REV. 2	REV. 3	REV. 4	REV. 5	REV. 6	REV. 7	REV. 8
NUMBER 1-0-86874 CODE CS SIZE D							



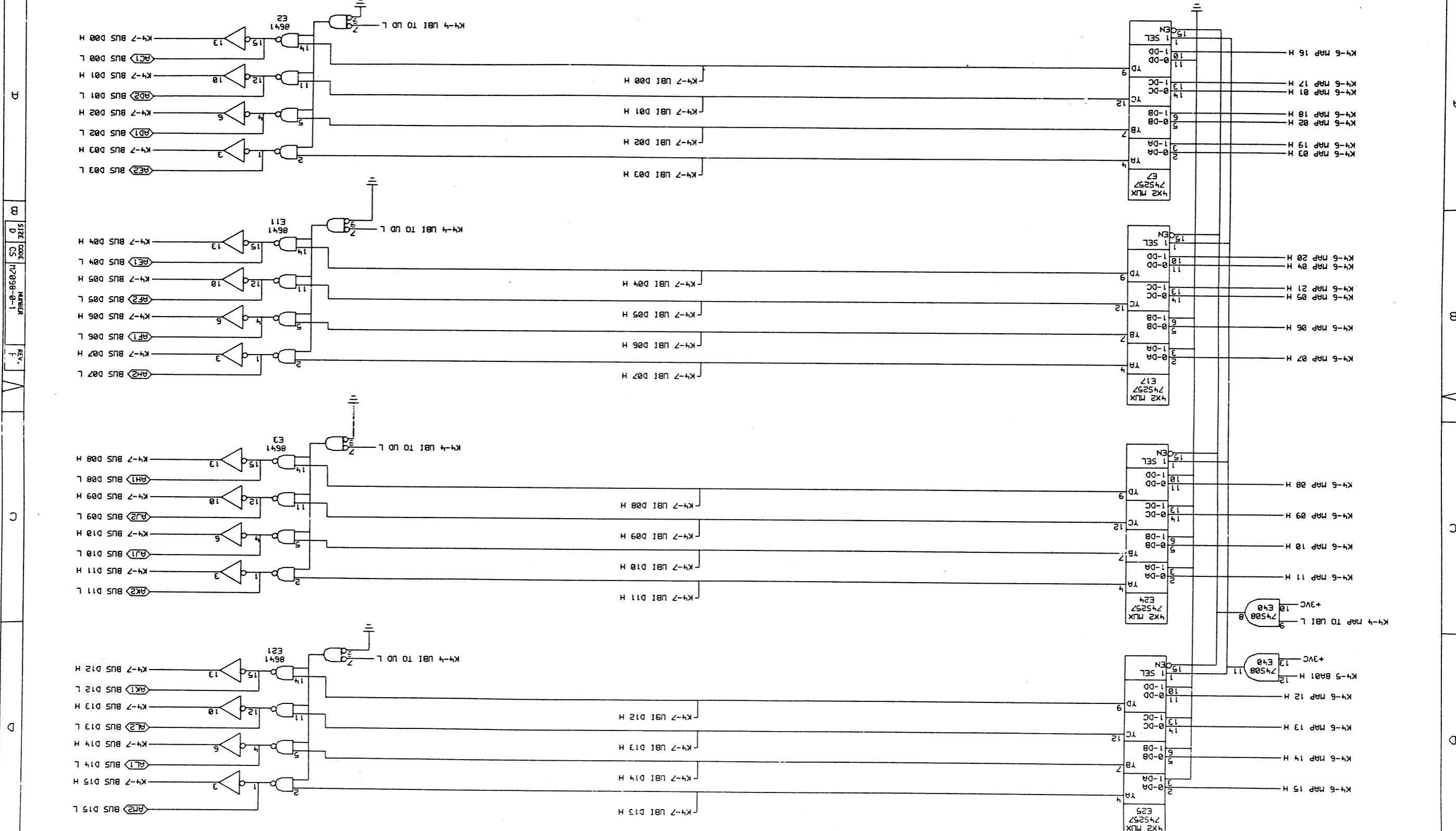
THIS DRAWING AND SPECIFICATIONS ARE THE PROPERTY OF DIGITAL EQUIPMENT CORPORATION AND SHALL NOT BE REPRODUCED OR COPIED IN WHOLE OR IN PART AS THE BASIS FOR THE MANUFACTURE OR SALE OF ITEMS WITHOUT WRITTEN PERMISSION. COPYRIGHT © 1979, DIGITAL EQUIPMENT CORPORATION.

REVISIONS	CHK	CHANGE NO.	REV

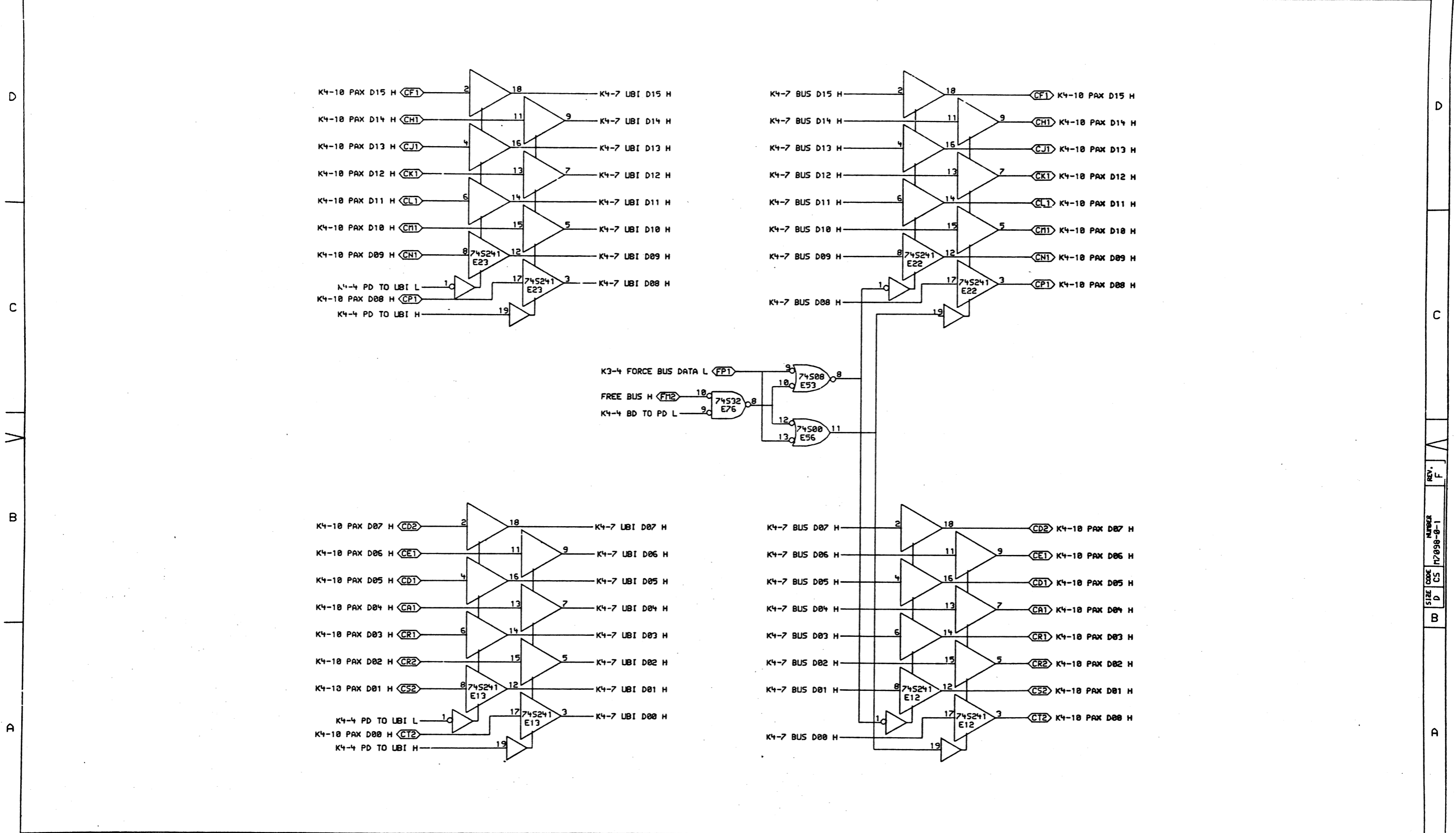
digital	DATE	19-OCT-79	DATE		TITLE:	(K4-6) UBI MODULE
	CHK		DATE		BOARD LOCATION:	(MAP REG)
					SHEET	6 OF 11
					SIZE	CODE D CS
					NUMBER	M7098-0-1
					REV.	F

REV. F
NUMBER M7098-0-1
SIZE CODE D CS

TITLE: (K4-7) UBI MODULE
 DATE: 16-OCT-79
 DESIGNED BY: [Signature]
 CHECKED BY: [Signature]
 DATE: 16-OCT-79
 NEXT ASSEMBLY: 16-OCT-79 15:19
 PART NO: 160,257 JK478.DRM
 FIRST USED ON OPTION/MODEL: 11/44
 B-DC-M7098-0
 SIZE CODE D CS M7098-0-1
 NUMBER 1
 REV. F
 (ADRS INTRF)
 REVISIONS
 CHECK CHANGE NO., REV.
 THIS DRAWING AND SPECIFICATIONS ARE THE PROPERTY OF DIGITAL EQUIPMENT CORPORATION AND SHALL NOT BE REPRODUCED OR COPIED OR USED IN WHOLE OR IN PART AS A BASIS FOR THE MANUFACTURE OF ITEMS WITHOUT WRITTEN PERMISSION OF DIGITAL EQUIPMENT CORPORATION.



SIZE CODE D CS M7098-0-1
 NUMBER 1
 REV. F
 2
 3
 4
 5
 6
 7
 8



LINE	ITEM	DOCUMENT NUMBER	PART NUMBER	DESCRIPTION	QTY	PER VARIATION	REFERENCE DESIGNATOR
1	1		5013828-00	UNIT'S CONTROL	1		
2	2		1000016-00	100.0 MMF 100V 5%200PPM DM15S	1		C5
3	3		1000024-00	470.0 MMF 100V 5%200PPM DM15S	5		C4,C6-C8,C10
4	4		1000076-00	39 MFD 10V 10% 150D S.TA	6		C11-C16
5	5		1013466-10	3300.0 MMF 50V 5% CER	2		C3,C9
6	6		1012784-00	.047 MFD 50V +80-20% CER	38		C17-C54
7	7		1210711-02	HANDLE,MODULE,HEX	1		
8	8		1211164-06	SW,DIP 1P 1A 10POS	1		E28
9	9		1215006-02	SOCKET 16PIN IC LOW PROFILE	4		XE48-XE50,XE59
10	10		1215006-03	SOCKET 18PIN IC LOW PROFILE	1		XE58
11	11		1215006-07	SOCKET 28PIN IC LOW PROFILE	3		XE45,XE64,XE82
12	12		1300005-01	R NETWORK 13-1K 5.0 % 14PIN	2		E29,E63
13	13		1300005-10	R NETWORK 15-560 5.0 % 16PIN	2		E6,E16
14	14		1300316-00	470.0 .25 W 5.0 % CC	11		R10,R50,R52,R54,R30-R32,R34,R35, R41,R42
15	15		1300365-00	1.0 K .25 W 5.0 % CC	14	CONT	R29,R44,R51,R53,R55,R8,R43,R1, CONT R2,R9,R14,R15,R18,R22
16	16		1313596-00	20.0 K .25 W 1.0 % RN55D-F10	2		R13,R20
17	17		1302411-00	511.0 .25 W 1.0 % RN55D-F10	6		R4,R7,R24,R26,R28,R40
18	18		1302931-00	49.90 .25 W 1.0 % RN55D-F10	2		R12,R19
19	19		1304863-00	316.0 .25 W 1.0 % RN55D-F10	6		R3,R6,R23,R25,R27,R39
20	20		1312628-00	R NETWORK 14-176.5 14-375 16PIN	2		E1,E78
21	21		1312628-01	R NETWORK 14-176.5 11-375 16PIN	2		E32,E70
22	22		1313583-00	150.0 .25 W 1.0 % RN55D-F10	5		R5,R11,R16,R17,R21
23	23		1612463-00	DELAY= 150NS,10TAPS	6		E65,E66,E69,E86,E108,E127
24	24		1909705-00	DEC 9881 NAND GATE-QUAD 2IN 0	2		E88,E91
25	25		1910436-00	DEC 74123 ONE SHOT-DUAL,PETRIG	1		E97
26	26		1910532-00	74S00 NAND GATE-QUAD 2IN	7		E56,E73,E74,E90,E92,E94,E111
27	27		1910533-00	74S03 NAND GATE-QUAD 2IN,0	1		E128
28	28		1910534-00	74S04 INVERTER GATE-HEX 1I	3		E105,E110,E123

REVISION HISTORY		BASIC PART NO: M7098		DRN:	M. FUNARO	DATE:	22-JAN-79	DIGITAL	
ENG:	ECO NUMBER	REV	SECTION A OF A	CHK'D:	E.T.GERRY	DATE:	22-JAN-79	TITLE PARTS LIST	
	INITIAL	B	SECTION VARIATION INDEX						
BG	M7098-TW003	C	[A] 00					KD11-Z UBI MODULE	
BG	M7098-TW004	D	[B]						
BG	TW005	E	[C]	DFS,ENG:	R. DAY	DATE:	27-JUN-79		
			[D]						
			[E]					DOCUMENT NUMBER	
			[F]	RESP,ENG.:	J. MITCHELL	DATE:	22-JAN-79		
			[H]					SIZE CODE NUMBER REV	
			[J]						
			[K]	MFG,ENG.:	J. COMELLA	DATE:	27-JUN-79	K	PL M7098-0-DBP E
			[L]						
			[M]	ASSEMBLY NUMBER:		TOP DOCUMENT NUMBER:		FILE NAME:	EDIT #
			[N]	ID-UA-M7098-0-0				Z0621E,PLS	10

"THIS DRAWING AND SPECIFICATIONS HEREIN, ARE THE PROPERTY OF DIGITAL EQUIPMENT CORPORATION AND SHALL NOT BE REPRODUCED OR COPIED OR USED IN WHOLE OR IN PART AS THE BASIS FOR THE MANUFACTURE OR SALE OF ITEMS WITHOUT WRITTEN PERMISSION. COPYRIGHT (C) 1980, DIGITAL EQUIPMENT CORPORATION"

TW

LINE ITEM DOCUMENT NUMBER PART NUMBER DESCRIPTION QTY PER VARIATION REFERENCE DESIGNATOR

LINE	ITEM	DOCUMENT NUMBER	PART NUMBER	DESCRIPTION	QTY PER VARIATION	REFERENCE DESIGNATOR
29			1910535-00	74505 INVERTER GATE-HEX 1	2	E60,E72
30			1910536-00	74510 NAND GATE-TRIPLE 3IN	2	E83,E96
31			1910537-00	74511 AND GATE-TRIPLE 3INP	2	E47,E75
32			1910544-00	74574 FF-D DUAL,EDGE TRIGG	8	E81,E95,E112-E116,E119
33			1910548-00	745157 MUX 1 OF 2 (QUAD)	3	E38,E55,E102
34			1910550-00	745174 FF-D HEX	1	E101
35			1910878-00	7427 NOR GATE-TRIPLE 3IN	1	E100
36			1910957-00	745175 FF-D QUAD COMMON CLO	2	E87,E98
37			1911324-00	7414 INVERTER,HEX 1IN SCH	1	E126
38			1911469-00	8640 RECEIVER,BUS,QUAD,U	2	E99,E109
39			1911579-00	8641 TRANSCIEVER,BUS,QUA	11	E2,E3,E11,E21,E52,E60,E61,E71,E79,E80,E121
40			1911641-00	745257 MUX,QUAD 2 TO 1	4	E7,E17,E24,E25
41			1911712-00	74551 AND-OR GATE-INVERT D	1	E106
42			1912096-00	74586 XOR GATE,QUAD 2IN	1	E27
43			1912097-00	745182 LOOK AND CARRY GEN	2	E26,E36
44			1912388-00	74502 NOR GATE-QUAD 2IN,PO	5	E67,E89,E107,E118,E125
45			1912389-00	74508 AND GATE-QUAD 2IN,PO	8	E40,E53,E54,E57,E85,E93,E120
46			1912746-00	74537 NAND GATE-QUAD 2IN	2	E77,E84
47			1912829-00	LS86 X-OR GATE-QUAD 2IN	1	E8
48			1913340-00	74532 OR GATE-QUAD 2IN	3	E39,E76,E103
49			1913462-00	745240 OCTAL BUFFER,INVERTI	9	E4,E14,E20,E30,E31,E41-E43,E51
50			1913493-00	745241 OCTAL BUFFER,TRI-STA	6	E9,E12,E13,E18,E22,E23
51			1913663-00	93419DC RAM 64X9 28PIN IT	3	E5,E15,E34
52			1913671-00	745374 FF-U OCTAL TRISTATE	2	E10,E19
53			1913700-00	745381 ALU-4BIT	5	E33,E35,E37,E44,E46
54			1914085-00	745260 NOR GATE-DUAL,POS	1	E122
55			1914086-00	74530 NAND GATE-POS 8IN	1	E62
56			1911637-00	74132 NAND GATE-QUAD 2 IN	1	E117
57			2300A9-01	*** THIS ITEM IS NOT USED ***	-	
58			23032C6-00	C6-01	1	E82
59			2300E1-01	*** THIS ITEM IS NOT USED ***	-	
60			900024-01	EYELEFT, ROLLED FLANGE, .121 OD X	12	
61			9009185-00	JUMPER, WIRE, INSULATED, BLACK B	14	
62			1311422-00	178.0 .25 W 1.0 & RN55D-F10	5	
63			1305125-00	383.0 .25 W 1.0 & RN55D-F10	5	
64			23054C6-00	C6-01	1	
65			23052C6-00	C6-01	1	
66			23446E1-00	F1-02	1	
67			1012121-00	220.0 MNF 10V 1020PPM DM155	1	
68			9009157-00	ADH,LIO,RM,TEMP CURING COLORLESS	A/R	
69			9105740-55	WIRE(WRAP)30AWG UL1423	1	

LINE	ITEM	DOCUMENT NUMBER	PART NUMBER	DESCRIPTION	QTY PER VARIATION	REFERENCE DESIGNATOR
29			1910535-00	74505 INVERTER GATE-HEX 1	2	E60,E72
30			1910536-00	74510 NAND GATE-TRIPLE 3IN	2	E83,E96
31			1910537-00	74511 AND GATE-TRIPLE 3INP	2	E47,E75
32			1910544-00	74574 FF-D DUAL,EDGE TRIGG	8	E81,E95,E112-E116,E119
33			1910548-00	745157 MUX 1 OF 2 (QUAD)	3	E38,E55,E102
34			1910550-00	745174 FF-D HEX	1	E101
35			1910878-00	7427 NOR GATE-TRIPLE 3IN	1	E100
36			1910957-00	745175 FF-D QUAD COMMON CLO	2	E87,E98
37			1911324-00	7414 INVERTER,HEX 1IN SCH	1	E126
38			1911469-00	8640 RECEIVER,BUS,QUAD,U	2	E99,E109
39			1911579-00	8641 TRANSCIEVER,BUS,QUA	11	E2,E3,E11,E21,E52,E60,E61,E71,E79,E80,E121
40			1911641-00	745257 MUX,QUAD 2 TO 1	4	E7,E17,E24,E25
41			1911712-00	74551 AND-OR GATE-INVERT D	1	E106
42			1912096-00	74586 XOR GATE,QUAD 2IN	1	E27
43			1912097-00	745182 LOOK AND CARRY GEN	2	E26,E36
44			1912388-00	74502 NOR GATE-QUAD 2IN,PO	5	E67,E89,E107,E118,E125
45			1912389-00	74508 AND GATE-QUAD 2IN,PO	8	E40,E53,E54,E57,E85,E93,E120
46			1912746-00	74537 NAND GATE-QUAD 2IN	2	E77,E84
47			1912829-00	LS86 X-OR GATE-QUAD 2IN	1	E8
48			1913340-00	74532 OR GATE-QUAD 2IN	3	E39,E76,E103
49			1913462-00	745240 OCTAL BUFFER,INVERTI	9	E4,E14,E20,E30,E31,E41-E43,E51
50			1913493-00	745241 OCTAL BUFFER,TRI-STA	6	E9,E12,E13,E18,E22,E23
51			1913663-00	93419DC RAM 64X9 28PIN IT	3	E5,E15,E34
52			1913671-00	745374 FF-U OCTAL TRISTATE	2	E10,E19
53			1913700-00	745381 ALU-4BIT	5	E33,E35,E37,E44,E46
54			1914085-00	745260 NOR GATE-DUAL,POS	1	E122
55			1914086-00	74530 NAND GATE-POS 8IN	1	E62
56			1911637-00	74132 NAND GATE-QUAD 2 IN	1	E117
57			2300A9-01	*** THIS ITEM IS NOT USED ***	-	
58			23032C6-00	C6-01	1	E82
59			2300E1-01	*** THIS ITEM IS NOT USED ***	-	
60			900024-01	EYELEFT, ROLLED FLANGE, .121 OD X	12	
61			9009185-00	JUMPER, WIRE, INSULATED, BLACK B	14	
62			1311422-00	178.0 .25 W 1.0 & RN55D-F10	5	
63			1305125-00	383.0 .25 W 1.0 & RN55D-F10	5	
64			23054C6-00	C6-01	1	
65			23052C6-00	C6-01	1	
66			23446E1-00	F1-02	1	
67			1012121-00	220.0 MNF 10V 1020PPM DM155	1	
68			9009157-00	ADH,LIO,RM,TEMP CURING COLORLESS	A/R	
69			9105740-55	WIRE(WRAP)30AWG UL1423	1	

SIZE CODE | DOCUMENT NUMBER | REV

K	PL	M7098-0-DBP	E
---	----	-------------	---

SECTION A OF A		KD11-Z UBI MODULE	
----------------	--	-------------------	--

LM