

THIS DRAWING AND SPECIFICATIONS, HEREIN, AND THE PROPERTY OF DIGITAL EQUIPMENT CORPORATION AND SHALL NOT BE REPRODUCED OR TRANSMITTED IN ANY FORM OR BY ANY MEANS, ELECTRONIC OR MECHANICAL, INCLUDING PHOTOCOPYING, RECORDING, OR BY ANY INFORMATION STORAGE AND RETRIEVAL SYSTEM, WITHOUT PERMISSION IN WRITING FROM DIGITAL EQUIPMENT CORPORATION.

SEE NOTE

COMPONENT SIDE VIEW

8.41 REF

NOTES:

1. LOCATION E 2 IS SPARE.
2. R11 IS NOT INSTALLED.

STEP 1	↑ Y AXIS	STEP 2	TIMES
REPEAT	→ X AXIS	STEP 3	TIMES

CHK	CHANGE NO	REV	BY	DATE	REASON
	1	1	TWOCH		B
	2	1	REDRAWN		C
	3	1	M7095-TW008		D
	4	1	B. BAUFERLEE		E
	5	1	M7095-TW008		F
	6	1	BAUFERLEE/COOPER		G
	7	1	M7095-TW008		H
	8	1	BAUFERLEE		I
	9	1	M7095-TW008		J
	10	1	BAUFERLEE		K
	11	1	M7095-TW008		L
	12	1	BAUFERLEE		M
	13	1	M7095-TW008		N
	14	1	BAUFERLEE		O
	15	1	M7095-TW008		P
	16	1	BAUFERLEE		Q
	17	1	M7095-TW008		R
	18	1	BAUFERLEE		S
	19	1	M7095-TW008		T
	20	1	BAUFERLEE		U
	21	1	M7095-TW008		V
	22	1	BAUFERLEE		W
	23	1	M7095-TW008		X
	24	1	BAUFERLEE		Y
	25	1	M7095-TW008		Z

ETCH REV. C-PI

SIGNATURES	DATE	digital
DRN. <i>[Signature]</i>	7/24/79	
CHK'D. <i>[Signature]</i>	10/2/79	TITLE KD11-Z
MECH. ENG. <i>[Signature]</i>	6/1/79	CONTROL MODULE
PROJ. ENG. <i>[Signature]</i>	6/1/79	SIZE CODE NUMBER
PROD. <i>[Signature]</i>	6/1/79	D UAM7095-0-0
SCALE 2/1		REV
SHT. 1 OF 2		E
NEXT HIGHER ASSY. B-DD-M7095-0		

THIS DRAWING AND SPECIFICATIONS ARE THE PROPERTY OF DIGITAL EQUIPMENT CORPORATION AND SHALL NOT BE REPRODUCED OR COPIED IN ANY MANNER WITHOUT THE WRITTEN PERMISSION, COMBUSTION ENGINEERING, INC. (1981)

REVISIONS

CHK	CHANGE NO.	REV

Digital

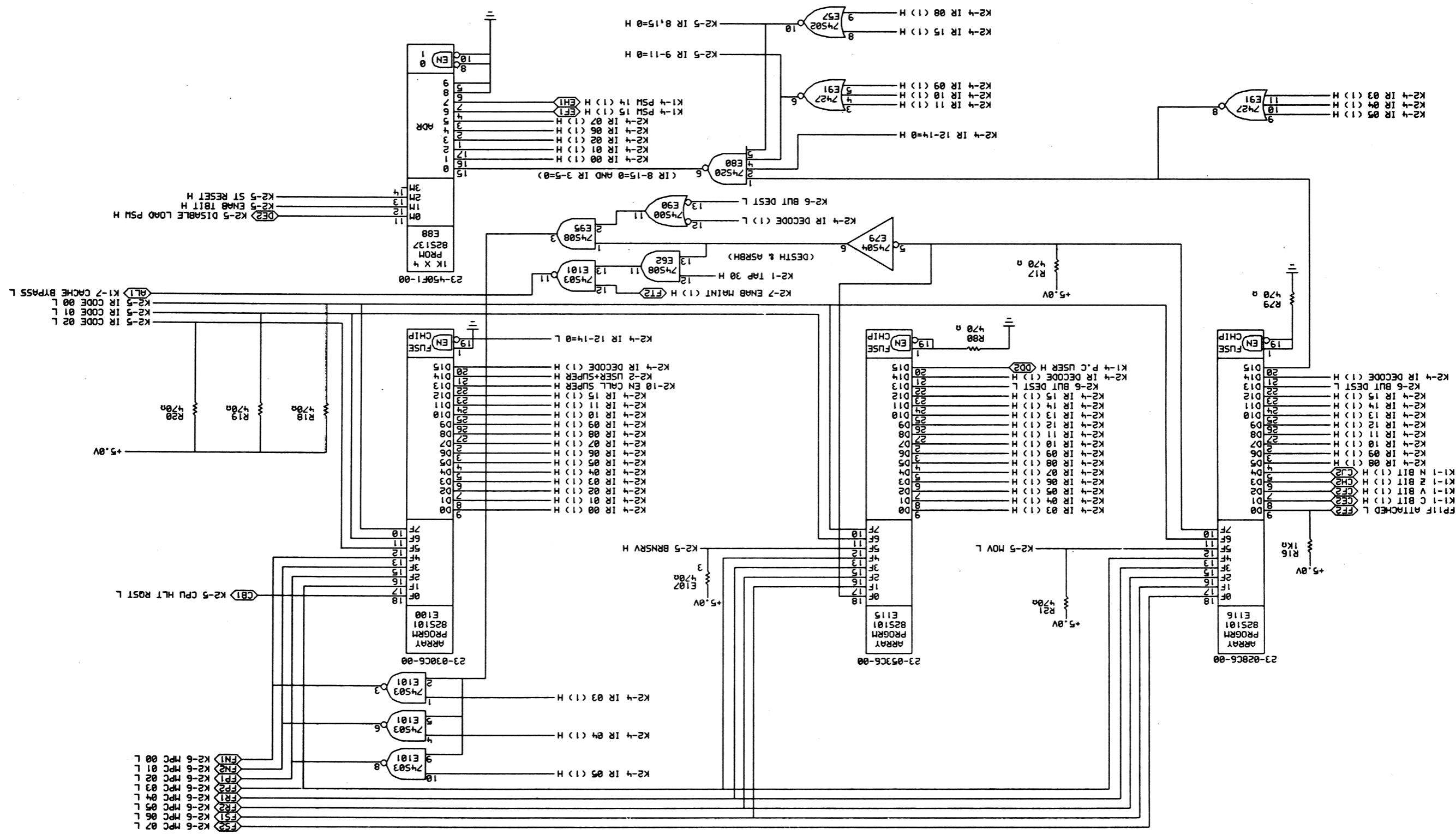
DATE: 11/4/83
 CHK'D: 11/4/83
 DWN: 11/4/83

DATE: 11/4/83
 BOARD LOCATION: 11/4/83
 SHEET 5 OF 13

OSKDI: 203, 201 CTL 05L, DRU23-AUG-83 13:37
 B-DD-M7095-0
 NEXT HIGHER ASSEMBLY: B-DD-M7095-0

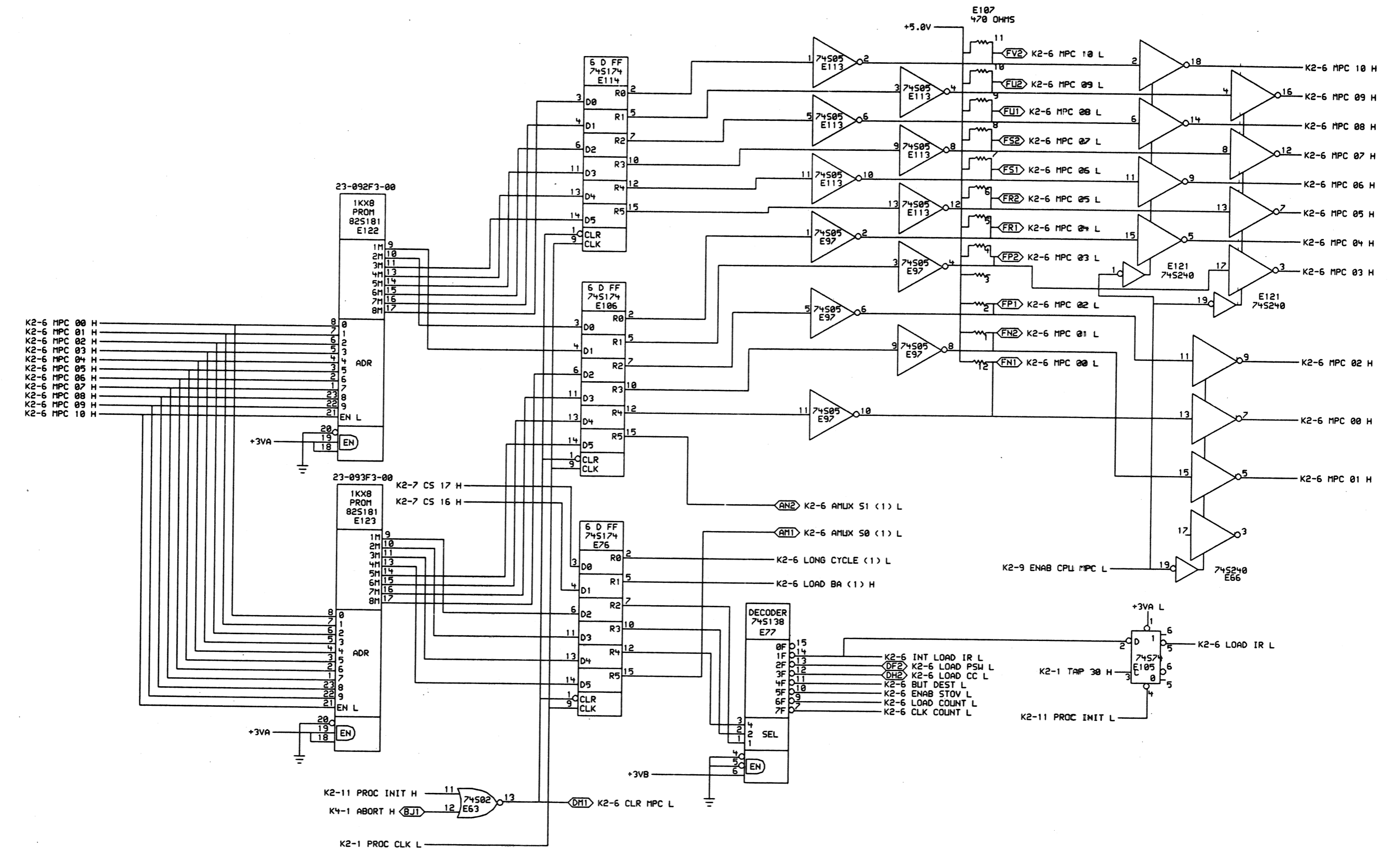
SIZE CODE K CS M7095-0-1
 NUMBER 1-0-55-5574
 REV. 1

TITLE: (K2-5) CONTROL (IRDEC/BRANCH)



D
B
C
D

SIZE CODE K CS M7095-0-1
 NUMBER 1-0-55-5574
 REV. 1



THIS DRAWING AND SPECIFICATIONS ARE THE PROPERTY OF DIGITAL EQUIPMENT CORPORATION AND SHALL NOT BE REPRODUCED OR COPIED OR USED IN WHOLE OR IN PART AS THE BASIS FOR THE MANUFACTURE OR SALE OF ITEMS WITHOUT WRITTEN PERMISSION. COPYRIGHT © 1983, DIGITAL EQUIPMENT CORPORATION.

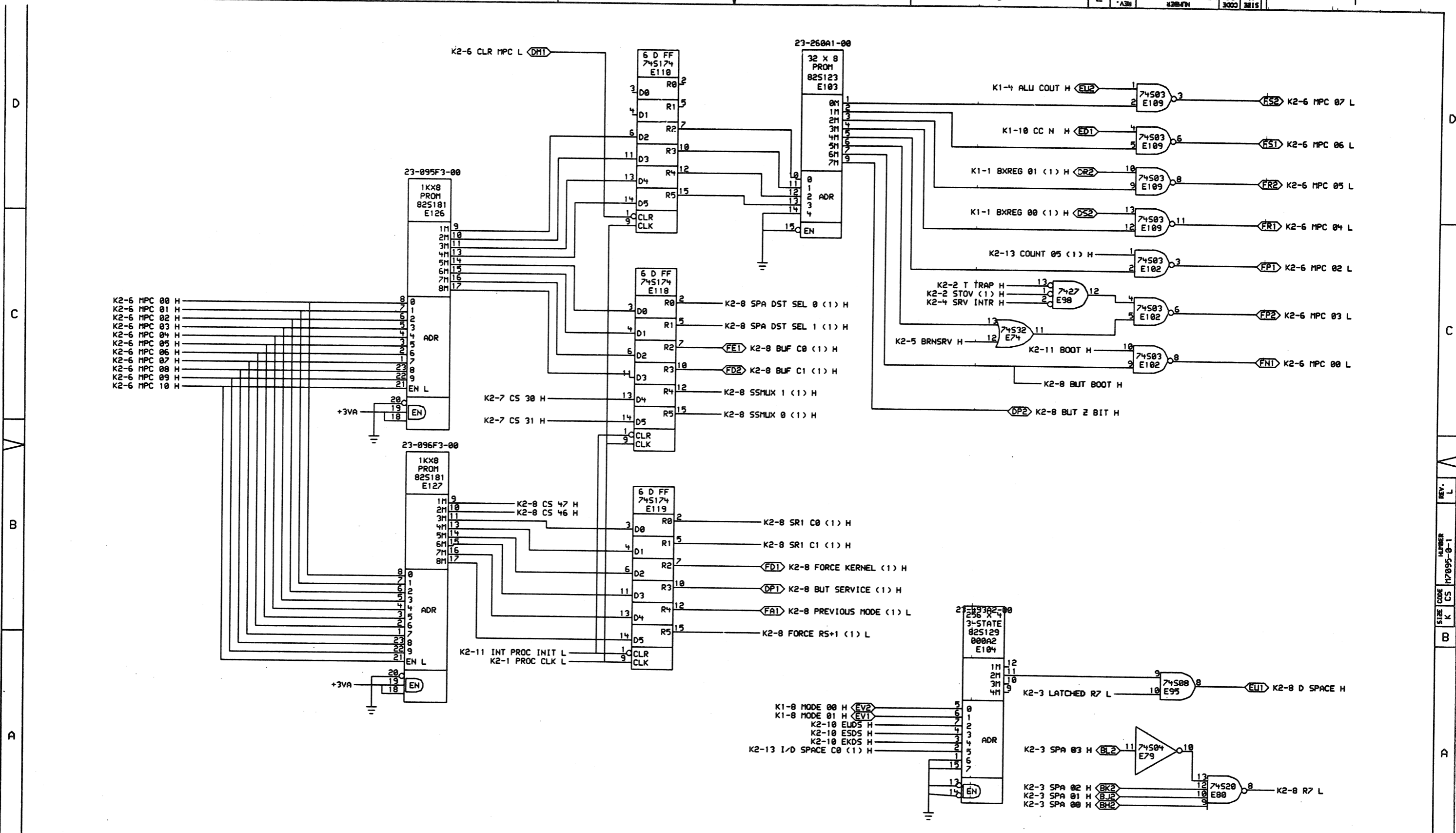
REVISIONS	
CHK	CHANGE NO. REV

digit@l

DRN	DATE	ENG.	DATE
CHK	21-AUG-83		
	DATE	BOARD LOCATION:	
		SHEET 6 OF 13	

DSKD: (203,7001) CTL06L.DRW | 23-AUG-83 13:39 | NEXT HIGHER ASSEMBLY: B-DD-M7095-0
 FIRST USED ON OPTION/MODEL: 11/44

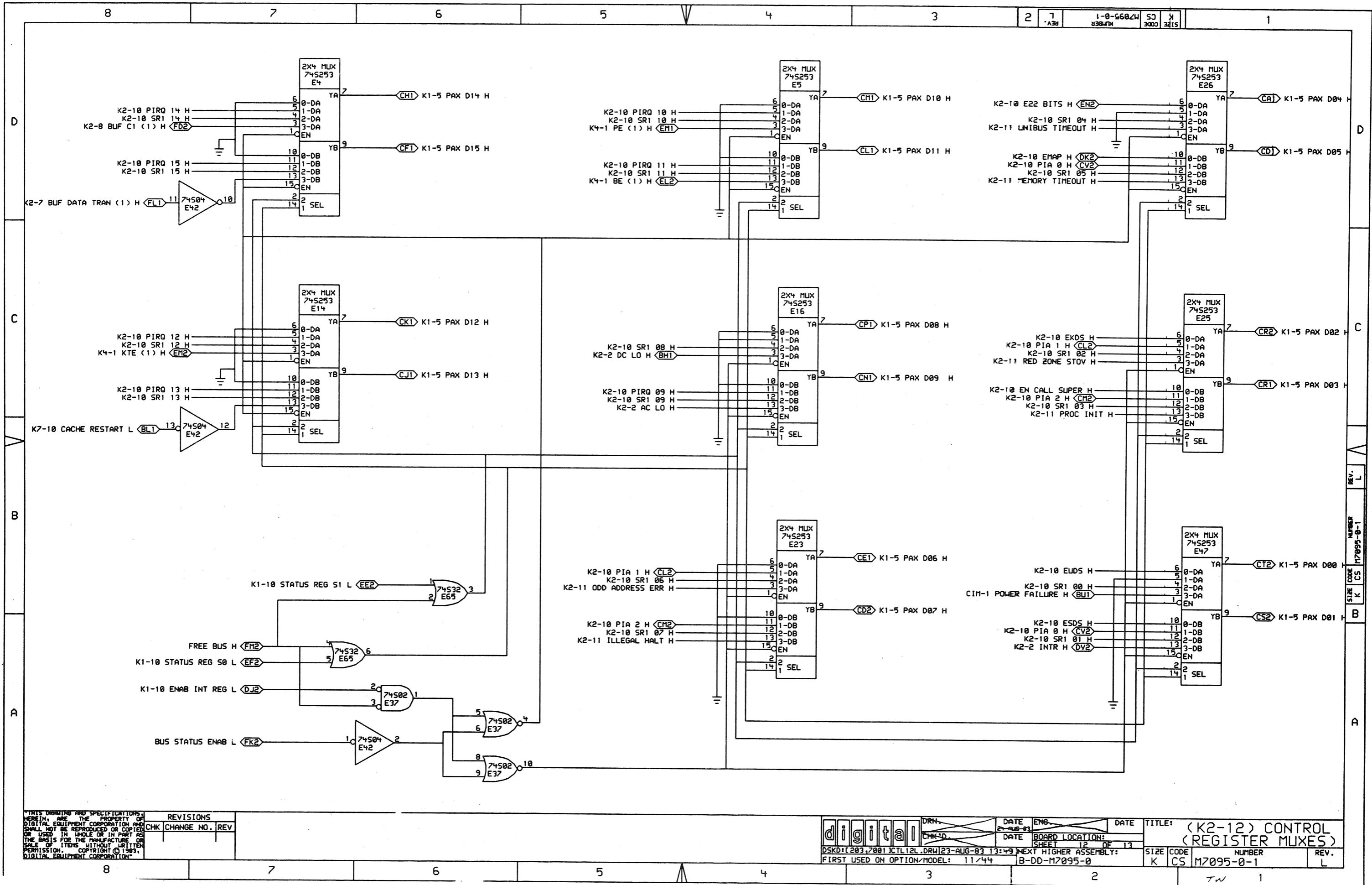
TITLE: (K2-6) CONTROL (MPC NEXT)	
SIZE CODE	NUMBER
K CS	M7095-0-1
REV.	L



THIS DRAWING AND SPECIFICATIONS, HEREIN, ARE THE PROPERTY OF DIGITAL EQUIPMENT CORPORATION AND SHALL NOT BE REPRODUCED OR COPIED OR USED IN WHOLE OR IN PART AS THE BASIS FOR THE MANUFACTURE OR SALE OF ITEMS WITHOUT WRITTEN PERMISSION. COPYRIGHT © 1983, DIGITAL EQUIPMENT CORPORATION.

REVISIONS	
CHK	CHANGE NO. REV

	DRN.	DATE	ENG.	DATE	TITLE:
	CHK'D	27-AUG-83			(K2-8) CONTROL (BUT/ I/O SPACE)
DSKD1203.7001 CTL08L.DRW/23-AUG-83 13:42 FIRST USED ON OPTION/MODEL: 11/44		DATE BOARD LOCATION: SHEET 8 OF 13		NEXT HIGHER ASSEMBLY: B-DD-M7095-0	
SIZE CODE	K CS	NUMBER	M7095-0-1	REV.	L



THIS DRAWING AND SPECIFICATIONS HEREIN ARE THE PROPERTY OF DIGITAL EQUIPMENT CORPORATION AND SHALL NOT BE REPRODUCED OR COPIED OR USED IN WHOLE OR IN PART AS THE BASIS FOR THE MANUFACTURE OR SALE OF ITEMS WITHOUT WRITTEN PERMISSION. COPYRIGHT © 1983, DIGITAL EQUIPMENT CORPORATION.

REVISIONS	
CHK	CHANGE NO. REV

digital	DRN	DATE	ENG	DATE	TITLE: (K2-12) CONTROL (REGISTER MUXES)
	CHK'D	DATE	BOARD LOCATION:	SHEET 12 OF 13	SIZE CODE NUMBER REV. K CS M7095-0-1 L
DSKD: (203,200) JCL12L.DRW (23-AUG-83 13:49)		NEXT HIGHER ASSEMBLY: B-DD-M7095-0		FIRST USED ON OPTION/MODEL: 11/44	

REV. L
NUMBER M7095-0-1
SIZE CODE CS K

LINE	ITEM	TOP DOCUMENT	PART NUMBER	MIN REV	DESCRIPTION	QTY PER VARIATION	REFERENCE DESIGNATOR
						00	
							VARIATION REVISION LEVEL:
1	1		5013573-00		PRINTED CIRCUIT BOARD FOR KD11-Z	1	
2	2		1000076-00		39 MFD 10V 10% S.TANT	6	C1-C6
3	3		1001610-00		.01 MFD 50V +80-20% Z5U CER	2	C48,C52
4	4		1004812-00		15 MFD 20V 10% S.TANT	1	C43
5	5		1004813-00		10 MFD 20V 10% S.TANT	1	C47
6	6		1009964-00		.68 MFD 35V 10% S.TANT	2	C44,C45
7	7		1012121-00		220.0 MMF 100V 1%200PPM MICA	1	C46
8	8		1012784-00		.047 MFD 50V +80-20% CER	36	C7-C42
9	9		1210209-00		SW,TOG 1PDT ON-ON .0	1	S1
10	10		1210711-02		/REPLACED BY 12-16988-02	1	
11	11	BLANK			*** THIS ITEM IS NOT USED ***	-	
12	12	BLANK			*** THIS ITEM IS NOT USED ***	-	
13	13	BLANK			*** THIS ITEM IS NOT USED ***	-	
14	14		1215006-06		SKT,IC 24PIN DIP TIN SOLD	7	XE122-XE128
15	15		1215006-07		SKT,IC 28PIN DIP TIN SOLD	4	XE99,XE100,XE115,XE116
16	16		1300005-04		R NETWORK 15-470 5.0 % 16PIN	1	E107
17	17		1300316-00		470.0 .25 W 5.0 % CF	16	R14,R15,R17-R21,R31,R35,R37,R75, R76,R33,R77,R79,R80
18	18		1300365-00		1.0 K .25 W 5.0 % CF	18	CONT R1,R2,R12,R16,R24-R29,R32,R34, CONT R36,R38,R50,R5,R23,R22
19	19		1302411-00		511.0 .25 W 1.0 % RN55D-F10	1	R4
20	20		1303312-00		10.0 K .25 W 1.0 % RN55D-F10	1	R10
21	21		1304863-00		316.0 .25 W 1.0 % RN55D-F10	1	R3
22	22		1305125-00		383.0 .25 W 1.0 % RN55D-F10	3	R51,R52,R54
23	23		1311594-00		30.10 K .25 W 1.0 % RN55D-F10	3	R9,R11,R30
24	24		1313586-00		590.0 .25 W 1.0 % RN55D-F10	2	R13,R78
25	25		1612463-01		DELAY= 130NS,10TAPS 14PIN DIP	1	E3
26	26		1905587-00		DEC 7473 FF-JK DUAL,MASTER SL	2	E49,E51
27	27		1910436-00		DEC 74123 ONE SHOT-DUAL,RETRIG	1	E10
28	28		1910532-00		74500 NAND GATE-QUAD 2IN	6	E20,E38,E41,E73,E82,E90

REVISION HISTORY			BASIC PART NO: M7095		DRN:	K.FRIEDGEN	DATE: 26-OCT-82	D I G I T A L			
ENG	ECO NUMBER	REV	SECTION A	OF A	CHK'D:	E.GERRY	DATE: 26-OCT-82	TITLE PARTS LIST			
---	INITIAL	A	SECTION	VARIATION INDEX	CHK'D:	E.GERRY	DATE: 26-OCT-82	KD11-Z CONTROL MODULE			
R,D	TW001	B	[A]	00							
R,D	TW001	B	[B]								
R,D	TW002	C	[C]		DES.ENG:	R.DAY	DATE: 26-OCT-82	DOCUMENT NUMBER			
RN	M7095-TW003	D	[D]					SIZE	CODE	NUMBER	REV
BG	M7095-TW004	E	[E]								
MP	M7095-TW005	F	[F]		RESP.ENG.:	R.DAY	DATE: 26-OCT-82	K	PL	M7095-0-DBP	L
B A	TW006	H	[H]								
WA	M7095-TW007	J	[J]								
WA	M7095-TW008	K	[K]		MFG.ENG.:	J.COMELLA	DATE: 26-OCT-82	RELEASE DATE: 05-OCT-83			
WA	M7095-TW009	L	[L]								
			[M]		ASSEMBLY NUMBER:		TOP DOCUMENT NUMBER:	FILE NAME:		EDIT #	
			[N]		ID-UA-M7095-0-0		B-DD-M7095-0-0	Z0398L.PLS		7	

"THIS DRAWING AND THE SPECIFICATIONS CONTAINED HEREIN ARE CONFIDENTIAL AND PROPRIETARY. THEY ARE THE PROPERTY OF DIGITAL EQUIPMENT CORPORATION AND SHALL NOT BE REPRODUCED OR COPIED OR USED IN WHOLE OR IN PART AS THE BASIS FOR THE MANUFACTURE OR SALE OF ITEMS WITHOUT WRITTEN PERMISSION. THIS IS AN UNPUBLISHED WORK PROTECTED UNDER THE FEDERAL COPYRIGHT LAWS."

LINE ITEM TOP DOCUMENT

MIN

PART NUMBER REV DESCRIPTION

QTY PER VARIATION

REFERENCE DESIGNATOR

VARIATION REVISION LEVEL:

LINE	ITEM	TOP DOCUMENT	MIN	PART NUMBER	REV	DESCRIPTION	QTY PER VARIATION	REFERENCE DESIGNATOR	VARIATION REVISION LEVEL:
29		1910533-00		74S03		NAND GATE-QUAD 2IN,0	5	E32,E86,E101,E102,E109	
30		1910534-00		74S04		INVERTER GATE-HEX 11	6	E2,E39,E40,E42,E64,E79	
31		1910535-00		74S05		INVERTER GATE-HEX 1	2	E97,E113	
32		1910536-00		74S10		NAND GATE-TRIPLE 3IN	4	E21,E29,E33,E71	
33		1910539-00		74S20		NAND GATE-DUAL 4INPU	4	E80,E83,E85,E94	
34		1910544-00		74S74		FF-D DUAL,EDGE TRIGG	5	E48,E52,E69,E96,E105	
35		1910547-00		74S153		MUX 1 OF 4 (DUAL)	3	E70,E72,E84	
36		1910548-00		74S157		MUX 1 OF 2 (QUAD)	1	E81	
37		1910550-00		74S174		FF-D HEX	14	E15,E36,E53,E58,E61,E76,E78,E106,E110,E114,E117-E120	CONT
38		1910878-00		7427		NOR GATE-TRIPLE 3IN	2	E91,E98	
39		1910957-00		74S175		FF-D QUAD COMMON CLO	3	E60,E87,E111	
40		1911469-00		8640	DEC	RECEIVER,BUS,QUAD,U	1	E89	
41		1911579-00		8641		TRANSCIEVER,BUS,QUA	1	E11	
42		1911675-00		74S138		DECODER/DEMUX 3-8 LI	1	E77	
43		1911712-00		74S51		AND-OR GATE-INVERT D	1	E13	
44		1912388-00		74S02		NOR GATE-QUAD 2IN,PO	5	E18,E37,E50,E57,E63	
45		1912389-00		74S08		AND GATE-QUAD 2IN,PO	4	E12,E62,E75	
46		1912660-00		74S253		MUX 1 OF 4 (DUAL)	8	E4,E5,E14,E16,E23,E25,E26,E47	
47		1912746-00		74S37	DEC	NAND GATE-QUAD 2IN	3	E1,E19,E22	
48		1912854-00		LS193		COUNTER,SYNCHR,4BIT,	2	E30,E31	
49		1912864-00		LS279		LATCH,QUAD-S-R	1	E28	
50		1913340-00		74S32		OR GATE-QUAD 2IN	3	E65,E74,E93	
51		1913462-00		74S240		OCTAL BUFFER,INVERTI	2	E66,E121	
52		1913493-00		74S241		OCTAL BUFFER,TRI-STA	4	E24,E35,E44,E55	
53		1913671-00		74S374		FF-D,OCTAL,TRI STATE	4	E17,E27,E45,E56	
54		1914085-00		74S260		NOR GATE-DUAL,POS	1	E34	
55		23259A1-00		A1-07			1	E54	
56		23258A1-00		A1-07			1	E67	
57		23257A1-00		A1-07			1	E68	
58		23260A1-00		A1-07			1	E103	
59		23494A2-00		A2-05			1	E6	
60		23568A2-00		A2-05			1	E43	
61		23163A2-00		A2-05			1	E92	
62		23493A2-00		A2-05			1	E104	
63		9000024-01		EYELET,ROLLED		0.1210DX0.192	12		
64		23846A9-00		A9-01			1	E59	
65		23055B1-00		B1-01			1	E7	
66		23046B1-00		B1-01			1	E46	
67		23051C6-00		C6-01			1	E99	
68		23030C6-00		C6-02			1	E100	
69		23053C6-00		C6-02			1	E115	
70		23028C6-00		C6-02			1	E116	
71		23450F1-00		F1-01			1	E88	
72		23449F1-00		F1-01			1	E108	
73		23092F3-00		F3-03			1	E122	
74		23093F3-00		F3-03			1	E123	
75		23094F3-00		F3-03			1	E124	

DI	IG	IT	AL	TITLE	SECTION A OF A	SIZE	CODE	DOCUMENT NUMBER	REV
				KD11-Z CONTROL MODULE				M7095-0-DBF	L

AUTOMATED BY PRTLST.4Q(50)

P A R T S L I S T

SHEET A3 OF A3

LINE	ITEM	TOP DOCUMENT	PART NUMBER	MIN REV	DESCRIPTION	QTY PER VARIATION	REFERENCE DESIGNATOR
						00	
							VARIATION REVISION LEVEL:
76	76		23064F3-00		F3-03	1	E125
77	77		23095F3-00		F3-03	1	E126
78	78		23096F3-00		F3-03	1	E127
79	79		23097F3-00		F3-03	1	E128
80	81		1311422-00		178.0 .25 W 1.0 % RN55D-F10	1	R53
81	82		1000016-00		100.0 MMF 100V 5%200PPM MICA	1	C49
82	83		9105740-55		WIRE(WRAP) 30AWG KYNAR UL14	7	
83	84		1910537-00		74S11 AND GATE-TRIPLE 3INP	1	E8
84	85		1910436-02		74123 MULTIVIBRATOR,DUAL,M	1	E9

85 NOTE: (ITEM 83) LENGTH IS IN FEET.

D	I	G	I	T	A	L	TITLE	KD11-Z CONTROL MODULE	SECTION A OF A	SIZE	CODE	DOCUMENT NUMBER	REV
										K	PL	M7095-0-DBP	L