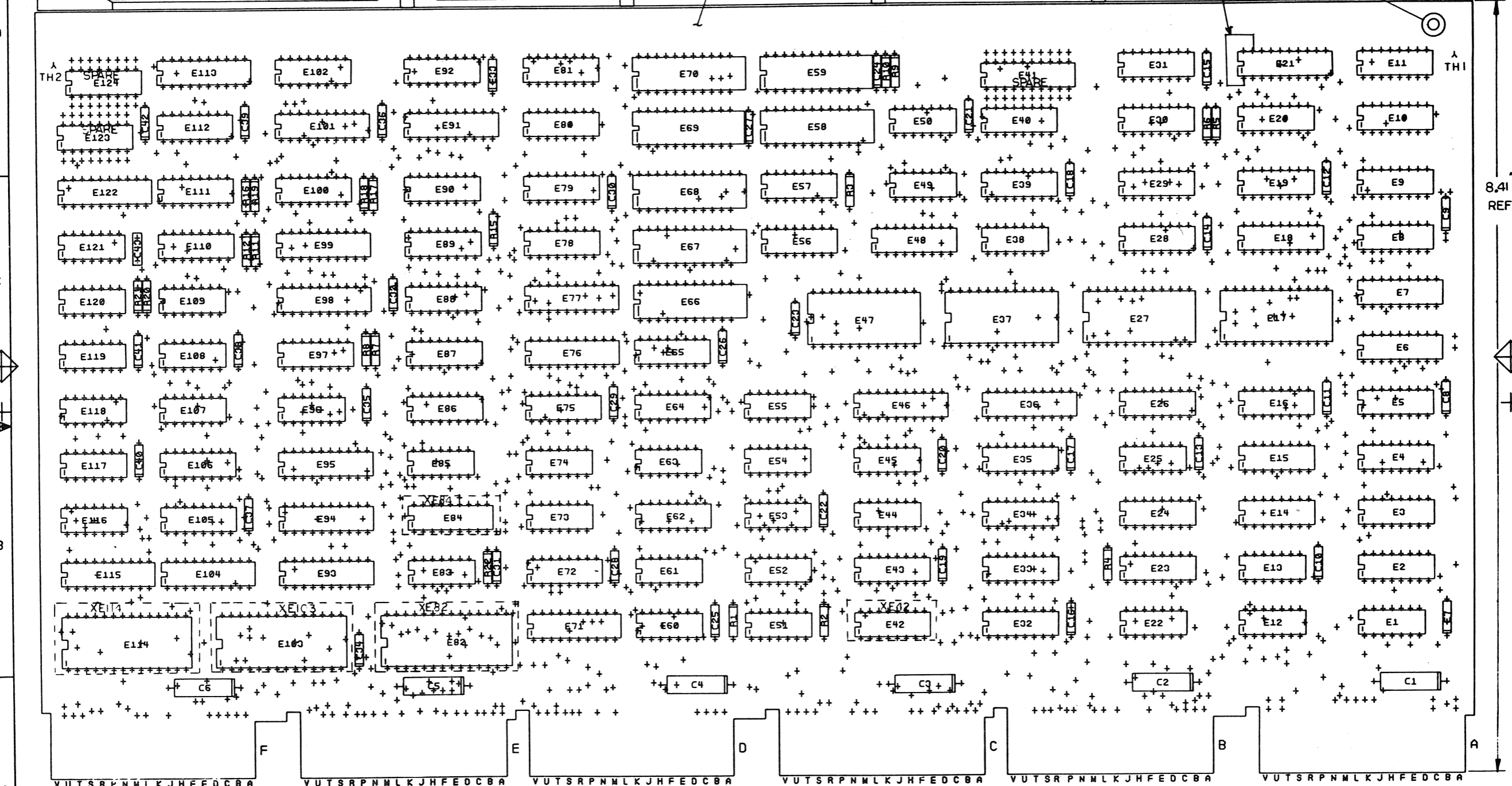


THIS DRAWING AND SPECIFICATIONS, HEREIN, ARE THE PROPERTY OF DIGITAL. NO PART OF THIS DRAWING OR SPECIFICATIONS IS TO BE REPRODUCED OR TRANSMITTED IN ANY FORM OR BY ANY MEANS, ELECTRONIC OR MECHANICAL, INCLUDING PHOTOCOPYING, RECORDING, OR BY ANY INFORMATION STORAGE AND RETRIEVAL SYSTEM, WITHOUT THE WRITTEN PERMISSION OF DIGITAL.

51 COMPONENT SIDE VIEW



8.41 REF

D/JAM7094-0-0 C

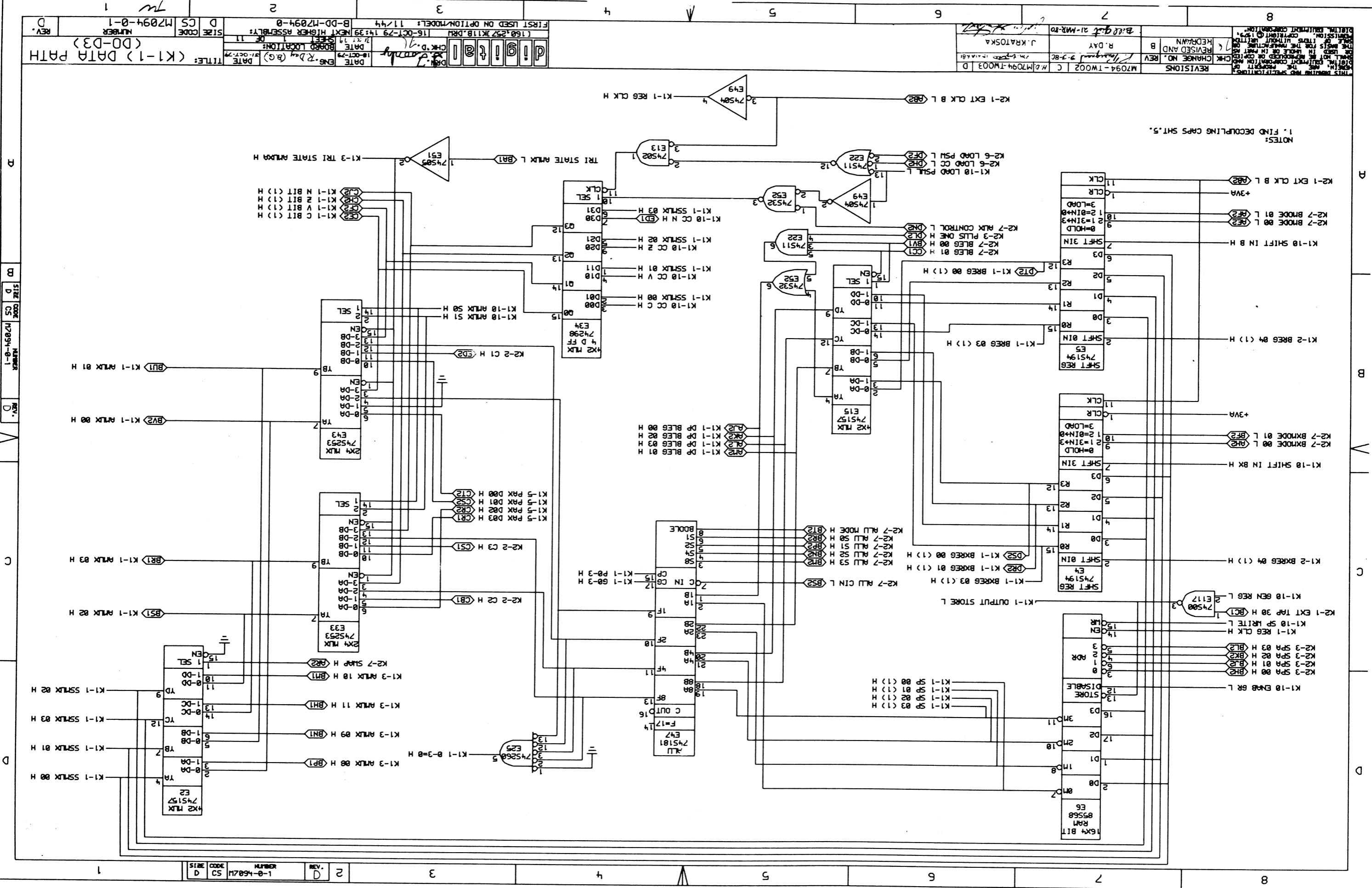
NOTES: 1. E41, E123 AND E124 ARE SPARE LOCATIONS.

STEP 1 + Y AXIS — STEP 1 TIMES  
 REPEAT → X AXIS — STEP 1 TIMES

CHANGE NO	REV
M70-4-TWO	C
RE-DRAWN	15C

ETCH REV.	C-PI
-----------	------

SIGNATURES	DATE	digital
DRAWN	2/23	
CHK'D.	2/27	TITLE KD11-Z
MECH. ENG.	3/4/80	DATA PATH
PROJ. ENG.	5/18/80	SIZE CODE NUMBER
PROD. CONTROL	5/16/80	0 UAM7094-0-0 C
SCALE 2/1		REV
SHT. OF 2		
NEXT HIGHER ASSY. B-DD-M7094-0		



NOTES:  
1. FIND DECOUPLING CAPS SHIT.5.

REV.	NO.	DATE	BY	CHK'D	DESCRIPTION
1	1	16-OCT-79	J. KRATOSKA		INITIAL DESIGN
2	2	16-OCT-79	J. KRATOSKA		REVISIONS
3	3	16-OCT-79	J. KRATOSKA		REVISIONS
4	4	16-OCT-79	J. KRATOSKA		REVISIONS
5	5	16-OCT-79	J. KRATOSKA		REVISIONS
6	6	16-OCT-79	J. KRATOSKA		REVISIONS
7	7	16-OCT-79	J. KRATOSKA		REVISIONS
8	8	16-OCT-79	J. KRATOSKA		REVISIONS

REV.	NO.	DATE	BY	CHK'D	DESCRIPTION
1	1	16-OCT-79	J. KRATOSKA		INITIAL DESIGN
2	2	16-OCT-79	J. KRATOSKA		REVISIONS
3	3	16-OCT-79	J. KRATOSKA		REVISIONS
4	4	16-OCT-79	J. KRATOSKA		REVISIONS
5	5	16-OCT-79	J. KRATOSKA		REVISIONS
6	6	16-OCT-79	J. KRATOSKA		REVISIONS
7	7	16-OCT-79	J. KRATOSKA		REVISIONS
8	8	16-OCT-79	J. KRATOSKA		REVISIONS

SIZE CODE CS M7094-0-1  
REV. D

SIZE CODE CS M7094-0-1  
REV. D

REV.	NO.	DATE	BY	CHK'D	DESCRIPTION
1	1	16-OCT-79	J. KRATOSKA		INITIAL DESIGN
2	2	16-OCT-79	J. KRATOSKA		REVISIONS
3	3	16-OCT-79	J. KRATOSKA		REVISIONS
4	4	16-OCT-79	J. KRATOSKA		REVISIONS
5	5	16-OCT-79	J. KRATOSKA		REVISIONS
6	6	16-OCT-79	J. KRATOSKA		REVISIONS
7	7	16-OCT-79	J. KRATOSKA		REVISIONS
8	8	16-OCT-79	J. KRATOSKA		REVISIONS

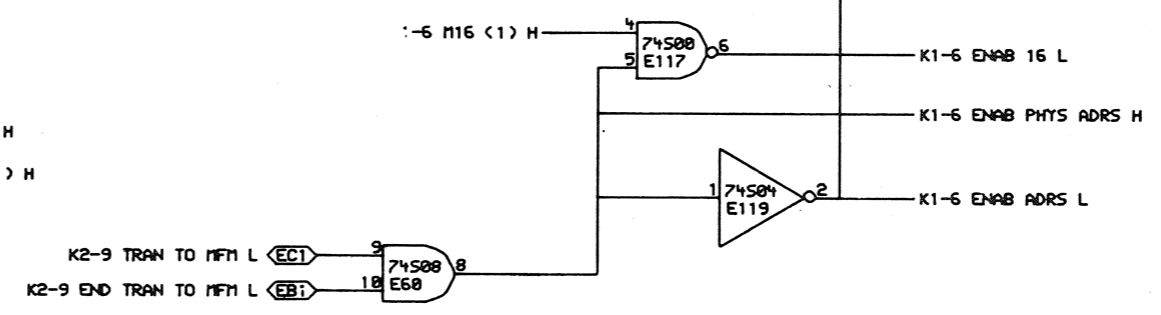
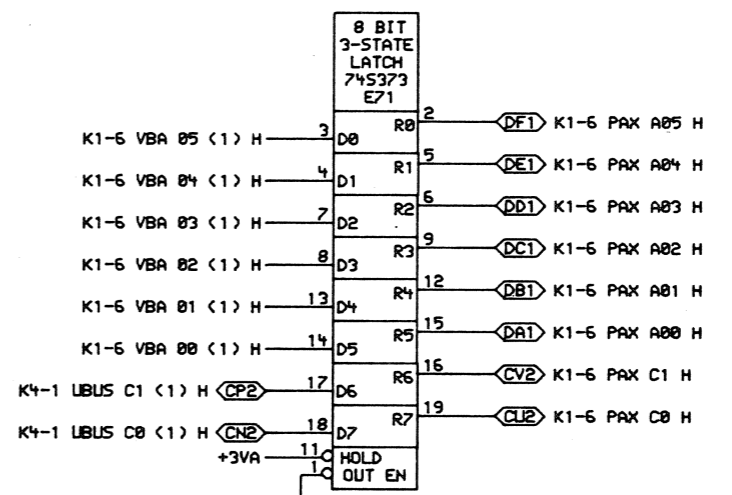
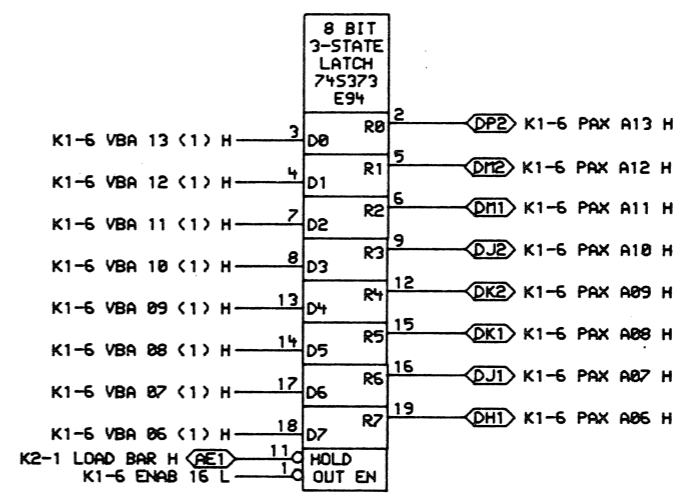
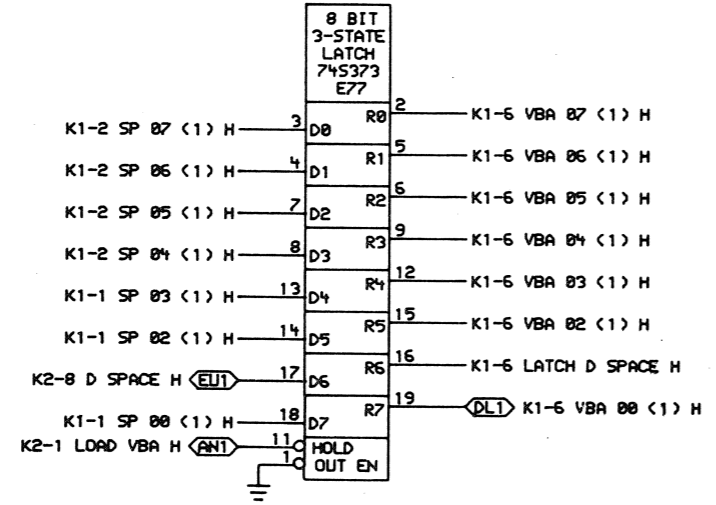
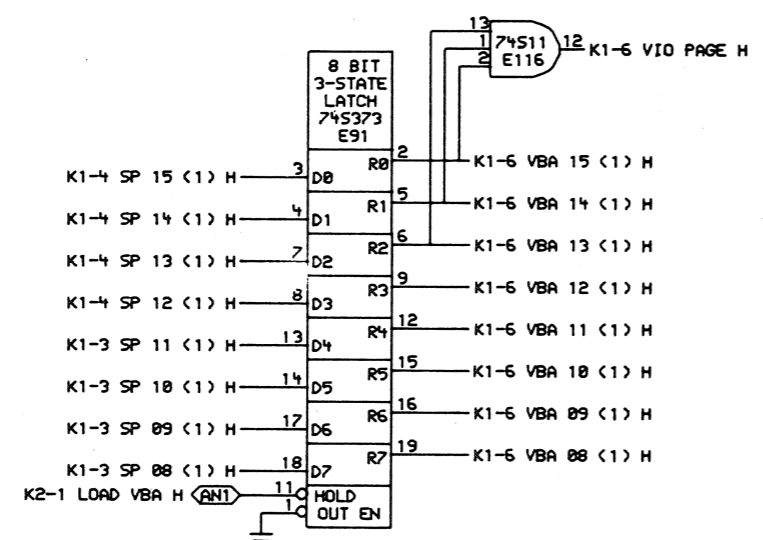
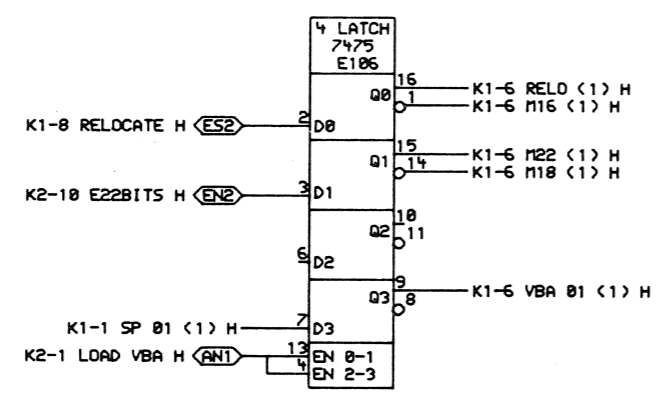
TITLE: (K1-1) DATA PATH  
FIRST USED ON OPTION MODEL: 11/44  
NEXT HIGHER ASSEMBLY: B-DD-M7094-0  
DATE: 16-OCT-79  
BY: J. KRATOSKA  
CHK'D: J. KRATOSKA











THIS DRAWING AND SPECIFICATIONS ARE THE PROPERTY OF DIGITAL EQUIPMENT CORPORATION AND SHALL NOT BE REPRODUCED OR COPIED OR USED IN WHOLE OR IN PART AS THE BASIS FOR THE MANUFACTURE OR SALE OF ITEMS WITHOUT WRITTEN PERMISSION. COPYRIGHT © 1979, DIGITAL EQUIPMENT CORPORATION.

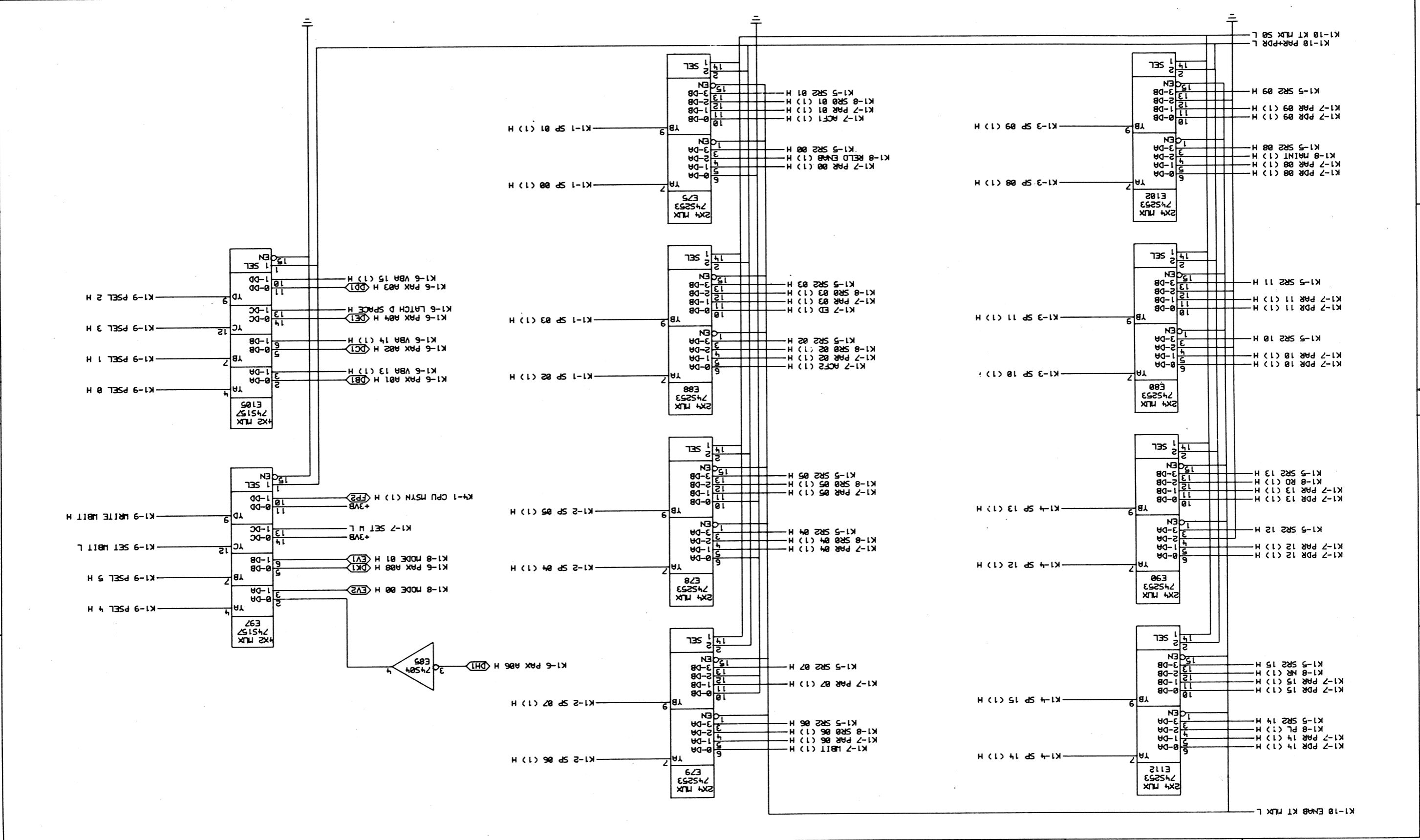
REVISIONS	
CHK	CHANGE NO. REV

digital	DATE	16-OCT-79	ENG	DATE	TITLE: (K1-6) DATA PATH (KT BUFFER)
	DATE	16-OCT-79 14:47	BOARD LOCATION:	SHEET	5 OF 11
FIRST USED ON OPTION/MODEL: 11/44		NEXT HIGHER ASSEMBLY: B-DD-M7094-0		SIZE	D
				CODE	CS
				NUMBER	M7094-0-1
				REV.	D





REV. D	NUMBER M7094-0-1	SIZE CODE CS	TITLE: (K1-9) DATA PATH (REG MUXES)
REV. D	NUMBER M7094-0-1	SIZE CODE CS	TITLE: (K1-9) DATA PATH (REG MUXES)



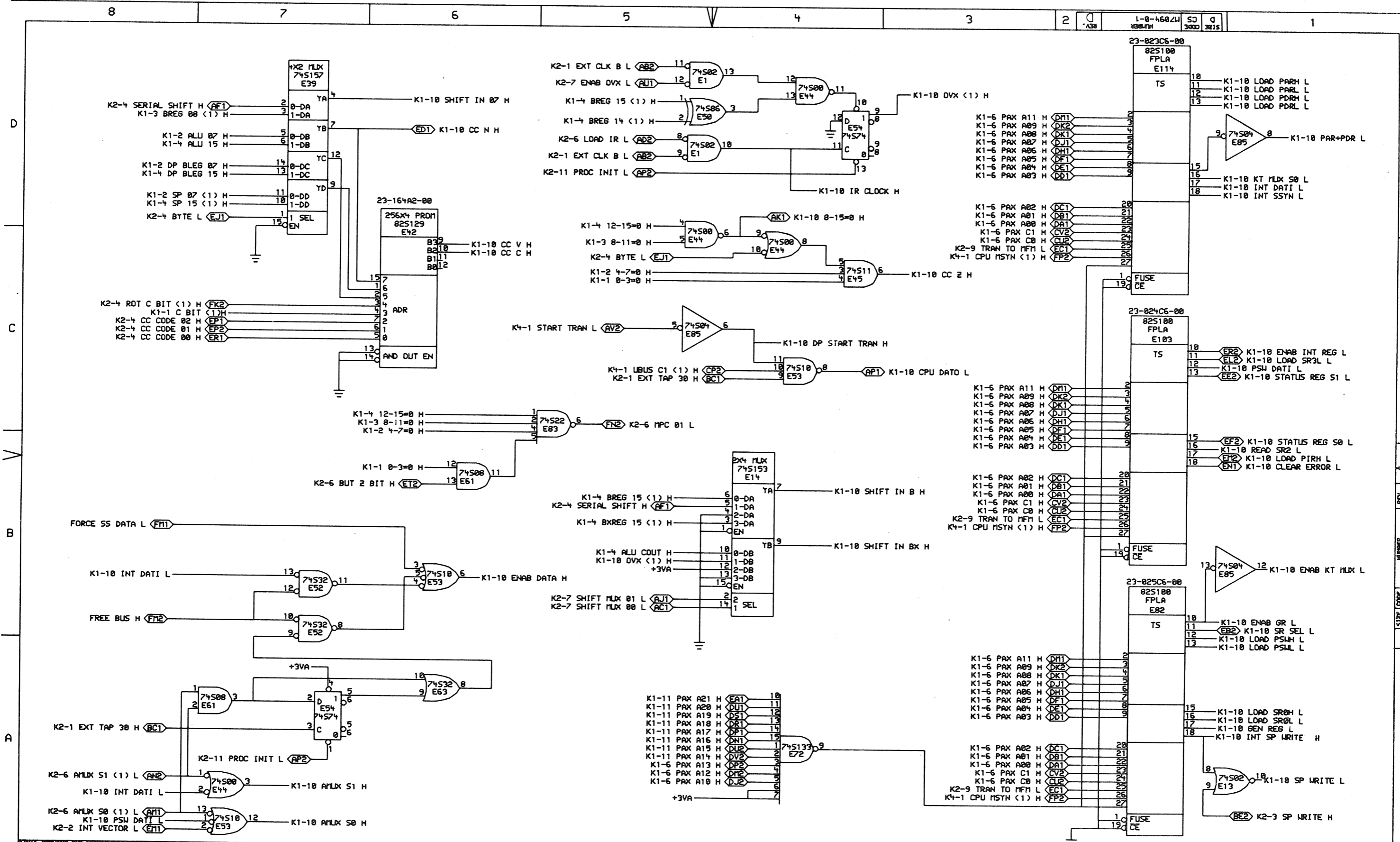
REV. D	NUMBER M7094-0-1	SIZE CODE CS	TITLE: (K1-9) DATA PATH (REG MUXES)
REV. D	NUMBER M7094-0-1	SIZE CODE CS	TITLE: (K1-9) DATA PATH (REG MUXES)

THIS DRAWING AND SPECIFICATIONS ARE THE PROPERTY OF DIGITAL EQUIPMENT CORPORATION AND SHALL NOT BE REPRODUCED OR COPIED IN WHOLE OR IN PART OR FOR ANY PURPOSE WITHOUT THE WRITTEN PERMISSION OF THE COMPANY.

REV. NO.	CHK	CHANGE NO.	REV.

REV. D  
NUMBER M7094-0-1  
SIZE CODE CS

REV. D  
NUMBER M7094-0-1  
SIZE CODE CS



THIS DRAWING AND SPECIFICATIONS ARE THE PROPERTY OF DIGITAL EQUIPMENT CORPORATION AND SHALL NOT BE REPRODUCED OR COPIED OR USED IN WHOLE OR IN PART AS THE BASIS FOR THE MANUFACTURE OR SALE OF ITEMS WITHOUT WRITTEN PERMISSION. COPYRIGHT © 1979, DIGITAL EQUIPMENT CORPORATION.

REVISIONS		
CHK	CHANGE NO.	REV

160,257 JK1108.DRW	16-OCT-79 14:50	16-OCT-79	16-OCT-79	16-OCT-79
FIRST USED ON OPTION/MODEL: 11/44				

**digital** DRN: *22/2/79* DATE: 16-OCT-79  
 BOARD LOCATION: SHEET 18 OF 11  
 TITLE: (K1-10) DATA PATH (INT ADRS DEC)  
 SIZE CODE: D CS M7094-0-1 NUMBER: 1144  
 FIRST USED ON OPTION/MODEL: 11/44 NEXT HIGHER ASSEMBLY: B-DD-M7094-0  
 REV: D

REV. D  
 NUMBER 1  
 CS M7094-0-1  
 SIZE CODE D

THIS DRAWING AND SPECIFICATIONS ARE THE PROPERTY OF DIGITAL EQUIPMENT CORPORATION AND SHALL NOT BE REPRODUCED OR COPIED IN ANY MANNER WITHOUT THE WRITTEN CONSENT OF DIGITAL EQUIPMENT CORPORATION.

REVISIONS: CHECK CHANGE NO. REV.

TITLE: (K1-11) DATA PATH

BOARD LOCATION: SHEET 11 OF 11

DATE: 18-OCT-79

DATE: 16-OCT-79 14:51

DATE: 11-74

FIRST USED ON OPTION MODEL: 11/74

160,257 K1118.DRD

B-DD-M7094-0

NEXT HIGHER ASSEMBLY:

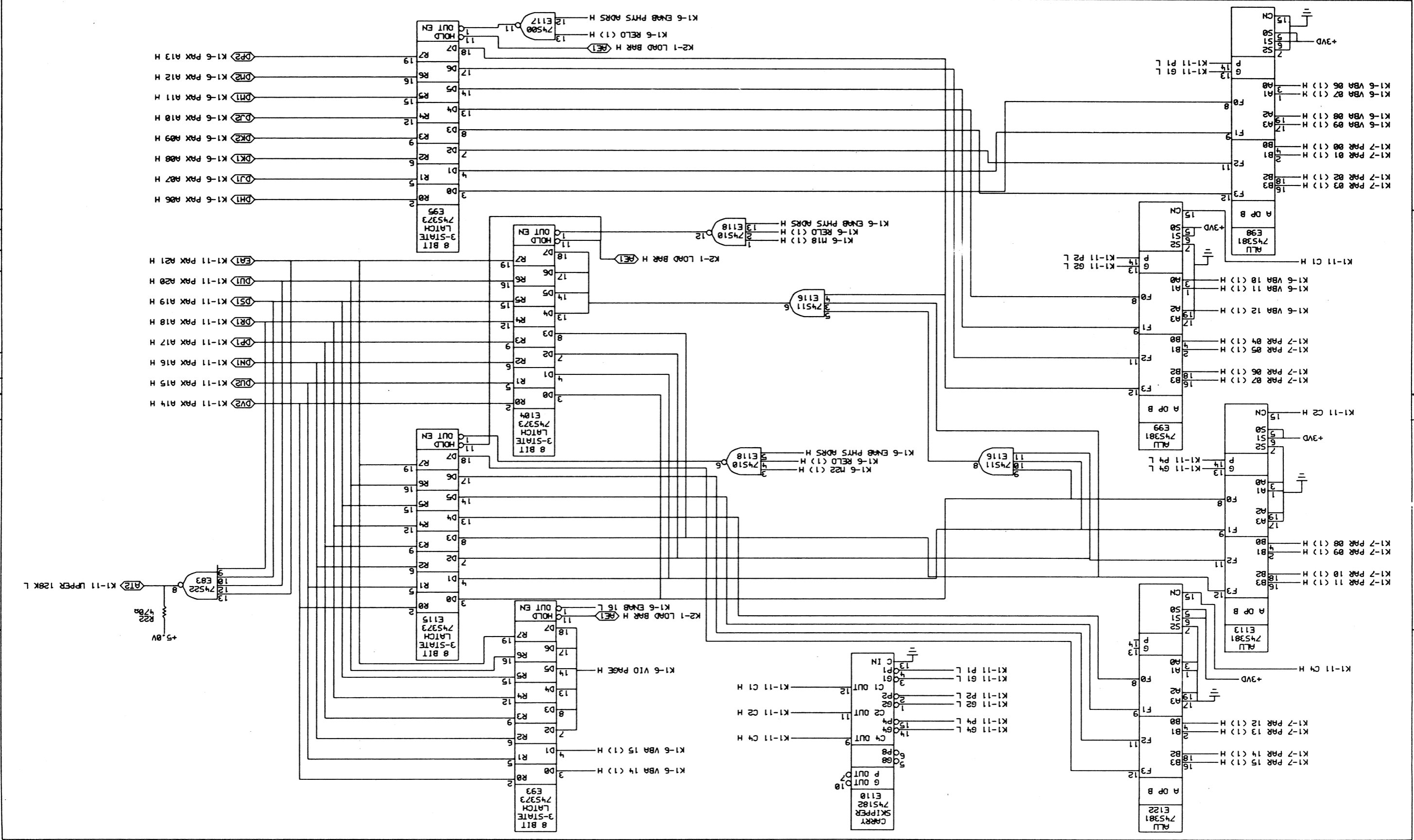
CS M7094-0-1

NUMBER:

SIZE:

CODE:

REV. D



1 2 3 4 5 6 7 8

REV. D

NUMBER: 1-0-464

CODE: CS

SIZE: D

LINE	ITEM	DOCUMENT NUMBER	PART NUMBER	DESCRIPTION	QTY	PER VARIATION	REFERENCE DESIGNATOR
					00		
1	1		5013557-00	ETCHED CIRCUIT BOARD	1		
2	2		1000076-00	39 MFD 10V 10% S.TANT	6		C1-C6
3	3		1012121-00	220.0 MMF 100V 1x200PPM MICA	1		C43
4	4		1012784-00	.047 MFD 50V +80-20% CER	36		C7-C42
5	5		1210711-02	/REPLACED BY 12-16988-02	1		
6	6		1215006-02	SOCKET 16PIN IC LOW PROFILE	1		XE42
7	7		1215006-03	SOCKET 18PIN IC LOW PROFILE	1		XE84
8	8		1215006-07	SOCKET 28PIN IC LOW PROFILE	3		XE82, XE103, XE114
9	9		1300316-00	470.0 .25 W 5.0 % CC	14		R1-R5, R7, R9, R11, R15-R19, R22
10	10		1300365-00	1.0 K .25 W 5.0 % CC	4		R6, R8, R10, R12
11	11		1302931-00	49.90 .25 W 1.0 % RN550-F10	1		R21
12	12		1303114-00	1.0 K .25 W 1.0 % RN550-F10	1		R20
13	13		1909050-00	7475 LATCH 4BIT	2		E89, E106
14	14		1910531-00	DEC 745181 ALU-4BIT	4		E17, E27, E37, E47
15	15		1910532-00	74500 NAND GATE-QUAD 2IN	3		E44, E107, E117
16	16		1910533-00	74503 NAND GATE-QUAD 2IN, 0	1		E120
17	17		1910534-00	74504 INVERTER GATE-HEX 1I	3		E49, E85, E119
18	18		1910535-00	74505 INVERTER GATE-HEX 1	1		E51
19	19		1910536-00	74510 NAND GATE-TRIPLE 3IN	3		E53, E109, E118
20	20		1910537-00	74511 AND GATE-TRIPLE 3INP	3		E22, E45, E116
21	21		1910540-00	74522 NAND GATE-DUAL 4INPU	1		E83
22	22		1910544-00	74574 FF-D DUAL, EDGE TRIGG	3		E54, E55, E96
23	23		1910547-00	745153 MUX 1 OF 4 (DUAL)	1		E14
24	24		1910548-00	745157 MUX 1 OF 2 (QUAD)	12		E2, E9, E15, E19, E26, E39, E40, E62, E64, E97, E100, E105
25	25		1910550-00	745174 FF-D HEX	1	CONT	E86
26	26		1910552-00	745194 SHIFT REG. 4BIT RIGH	8		E4, E5, E8, E10, E11, E20, E30, E31
27	27		1910957-00	745175 FF-D QUAD COMMON CLO	3		E16, E65, E111
28	28		1911271-00	74298 MUX 1 OF 4 W/STORA	1		E34
29	29		1911641-00	SN 745257 MUX, QUAD 2 TO 1	2		E3, E29

REVISION HISTORY		BASIC PART NO: M7094		DRN: K.FRIEDGEN		DATE:		D I G I T A L	
ENG	ECO NUMBER	REV	SECTION A OF H	CHK'D:	E.T.GERRY	DATE:	23-JAN-79	TITLE PARTS LIST	
---	INITIAL	A	SECTION VARIATION INDEX	CHK'D:	E.T.GERRY	DATE:	23-JAN-79	KD11-Z DATA PATH	
---	INIT	A	[A] 00	DES.ENG:	R.DAY	DATE:		DOCUMENT NUMBER	
R.D	TW001	B	[B]	RESP.ENG.:	R.DAY	DATE:	23-JAN-79	SIZE	CODE
RD	TW002	C	[C]	MFG.ENG.:	M.LACROIX	DATE:		NUMBER	REV
JK	M7094-TW003	D	[D]	ASSEMBLY NUMBER:		TOP DOCUMENT NUMBER:		K	PL
			[E]	D-UA-M7094-0-0				M7094-0-DBP	D
			[F]					FILE NAME:	EDIT #
			[G]					Z0383.PLS	21
			[H]						
			[I]						
			[J]						
			[K]						
			[L]						
			[M]						
			[N]						

"THIS DRAWING AND SPECIFICATIONS HEREIN, ARE THE PROPERTY OF DIGITAL EQUIPMENT CORPORATION AND SHALL NOT BE REPRODUCED OR COPIED OR USED IN WHOLE OR IN PART AS THE BASIS FOR THE MANUFACTURE OR SALE OF ITEMS WITHOUT WRITTEN PERMISSION. COPYRIGHT (C) 1981. DIGITAL EQUIPMENT CORPORATION"

LINE	ITEM	DOCUMENT NUMBER	PART NUMBER	DESCRIPTION	QTY	REFERENCE DESIGNATOR
30	30	1911983-00	745133	MAND GATE-POSITIVE 1	1	E72
31	31	1916310-00	RAM 256X1 TRI STATE		1	E87
32	32	1912089-00	74585	CMPLTR-4BIT MAGNITUDE	2	E81, E92
33	33	1912096-00	74586	XOR GATE, QUAD 2IN	1	E50
34	34	1912097-00	745182	LOOK AND CARRY GEN	2	E28, E110
35	35	1912388-00	74502	NOR GATE-QUAD 2IN, PO	2	E1, E13
36	36	1912389-00	74508	AND GATE-QUAD 2IN, PO	3	E60, E7, E18, E48
37	37	1912586-00	85568M	REGISTER, 64BIT EDGE	4	E6, E7, E18, E48
38	38	1912660-00	745253	MUX 1 OF 4 (DUAL)	16	E23, E24, E32, E33, E35, E43, E56, E57, E6, E7, E18, E48
39	39	1913340-00	74532	OR GATE-QUAD 2IN	5	E21, E12, E52, E63, E74, E108
40	40	1913462-00	745240	OCTAL BUFFER, INVERTI	1	E21
41	41	1913493-00	745241	OCTAL BUFFER, TRI-STA	2	E36, E46
42	42	1913670-00	745373	LATCH 8BIT TRASP TR	2	E71, E77
43	43	1913671-00	745374	FF-D OCTAL TRISTATE	8	E71, E77
44	44	1913700-00	745381	ALU-4BIT	2	E76, E101
45	45	1914085-00	745260	NOR GATE-DUAL, POS	2	E25, E38
46	46	1914558-00	***	THIS ITEM IS NOT USED ***	7	E58, E59, E66-E70
47	47	1915697-00	A2-05	RAM 256X4 TRI-STATE	1	E42
48	48	2316442-00	C6-01		1	E114
49	49	230236-00	F1-02		1	E84
50	50	2344441-00	F1-02	EYELET, ROLL FLANGE .1210DX .192	12	E121
51	51	9000024-01	C6-01		1	E103
52	52	1911637-00	C6-01		1	E82
53	53	2302466-00	***	THIS ITEM IS NOT USED ***	1	
54	54	230256-00			1	
55	55	230001-01			1	
56	56	9105740-55		WIRE(MRWP)30AWG	1	

SECTION 0 OF 0  
 TITLE  
 K011-Z DATA PATH  
 PL M7094-0-DBP  
 SIZE: CODE: DOCUMENT NUMBER REV  
 D