

NOTES: 1. D25 MAY HAVE TO BE MANUALLY INSERTED SINCE PIN 1 IS ON RIGHT SIDE  
 2. R83, W1-W9, W13-W15, W17, W19, W21 ARE NOT INSTALLED.

CHK/CHANGE NO	REV	DATE	BY
1	A	1-21-77	BO
2	B	1-21-77	BO
3	C	1-21-77	BO
4	D	1-21-77	BO
5	E	1-21-77	BO
6	F	1-21-77	BO
7	G	1-21-77	BO
8	H	1-21-77	BO
9	I	1-21-77	BO
10	J	1-21-77	BO
11	K	1-21-77	BO
12	L	1-21-77	BO
13	M	1-21-77	BO
14	N	1-21-77	BO
15	O	1-21-77	BO
16	P	1-21-77	BO
17	Q	1-21-77	BO
18	R	1-21-77	BO
19	S	1-21-77	BO
20	T	1-21-77	BO
21	U	1-21-77	BO
22	V	1-21-77	BO
23	W	1-21-77	BO
24	X	1-21-77	BO
25	Y	1-21-77	BO
26	Z	1-21-77	BO

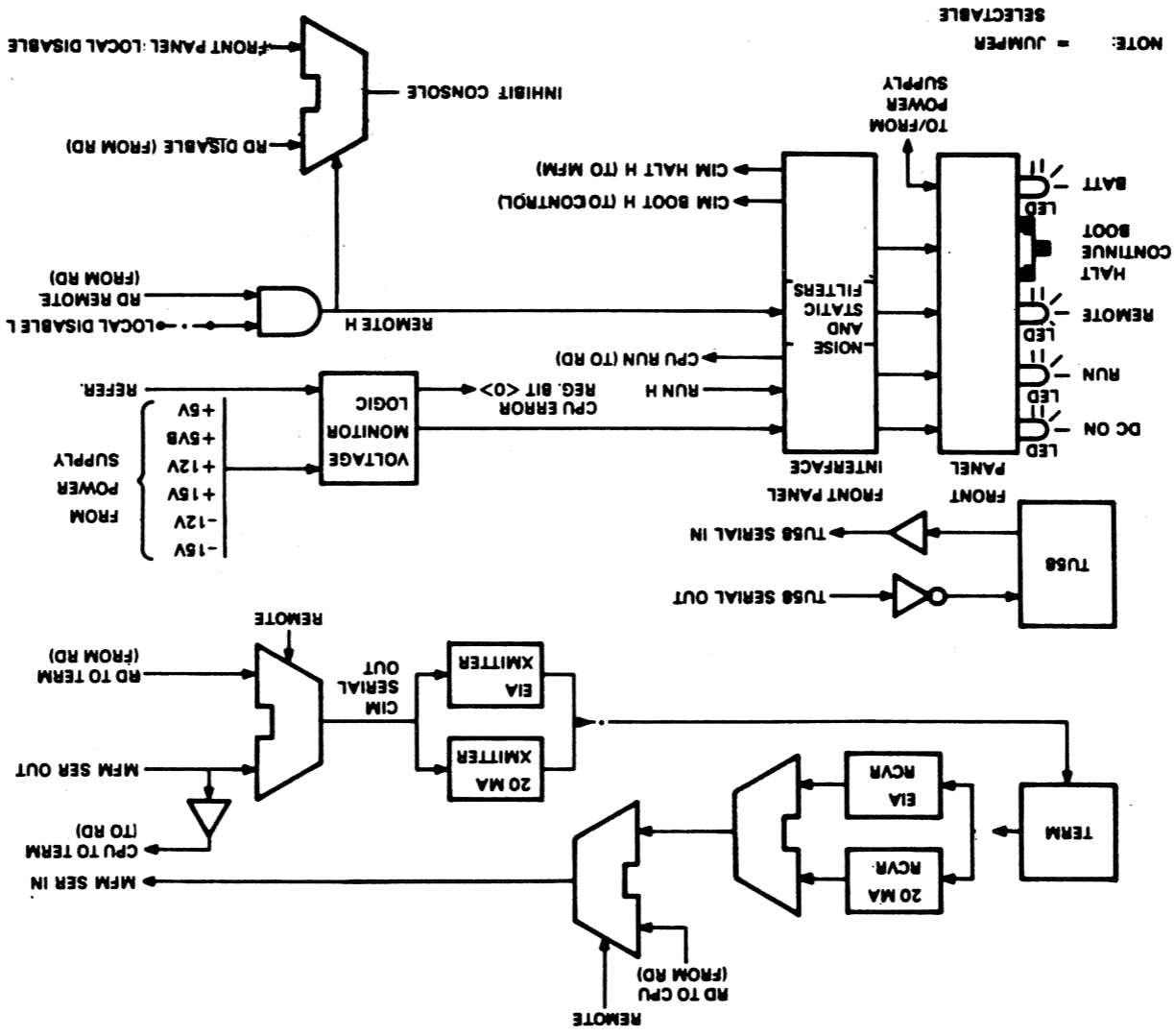
SIGNATURES		DATE	TITLE
DRM.	<i>[Signature]</i>	2-1-77	
CHK'D.	<i>[Signature]</i>	2-2-77	
ENG.	<i>[Signature]</i>	2-7-77	
PROJ. ENG.	<i>[Signature]</i>	2-7-77	
PROD.	<i>[Signature]</i>	2-7-77	
SCALE	2/1		
SHT.	1 OF 4		
NEXT HIGHER ASSY. B-DD-M7090-0			

ETCH REV. A  
 P.C. DESIGN DATA BASE REV. A  
 digital  
 SIZE CODE NUMBER REV  
 D U A M 7 0 9 0 - 0 0 A  
 1 MS#170078A

REV.	A
DATE	7-91
DESIGNED BY	H7990-0-2
ORIGINATED BY	A

REV.	DATE	BY	DESCRIPTION
1	17-APR-81	S. STEARN	CONSOLE INTERFACE (CIM)
2	17-APR-81	B. GIST	B. GIST
3	17-APR-81	B. GIST	B. GIST
4	17-APR-81	B. GIST	B. GIST
5	17-APR-81	B. GIST	B. GIST
6	17-APR-81	B. GIST	B. GIST
7	17-APR-81	B. GIST	B. GIST
8	17-APR-81	B. GIST	B. GIST

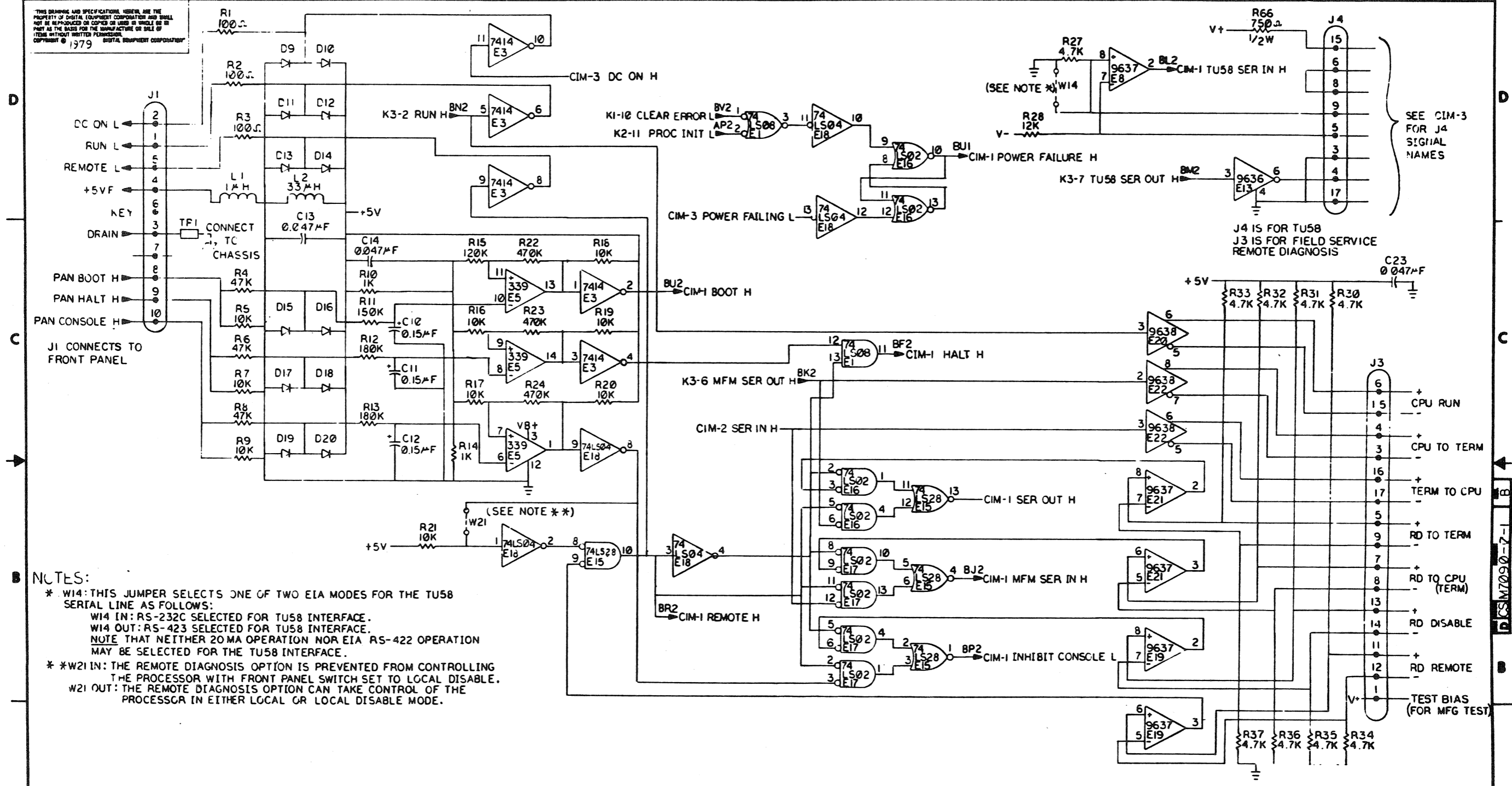
TITLE: CONSOLE INTERFACE (CIM)  
 DOCUMENT NUMBER: M7990-0-2  
 DRAWING NUMBER: DBD  
 REV: A



THIS DRAWING AND SPECIFICATIONS HEREBY ARE THE PROPERTY OF DIGITAL EQUIPMENT CORPORATION AND SHALL NOT BE REPRODUCED OR COPIED OR USED IN ANY MANNER WITHOUT WRITTEN PERMISSION.  
 COPYRIGHT © 1981  
 DIGITAL EQUIPMENT CORPORATION

REV.	A
DATE	2-0-81
DESIGNED BY	M7990-0-2
ORIGINATED BY	DBD

THIS DRAWING AND SPECIFICATIONS HEREIN ARE THE PROPERTY OF DIGITAL EQUIPMENT CORPORATION AND SHALL NOT BE REPRODUCED OR COPIED OR USED IN WHOLE OR IN PART AS THE BASIS FOR THE MANUFACTURE OR SALE OF ITEMS WITHOUT WRITTEN PERMISSION.  
COPYRIGHT © 1979 DIGITAL EQUIPMENT CORPORATION



**NOTES:**

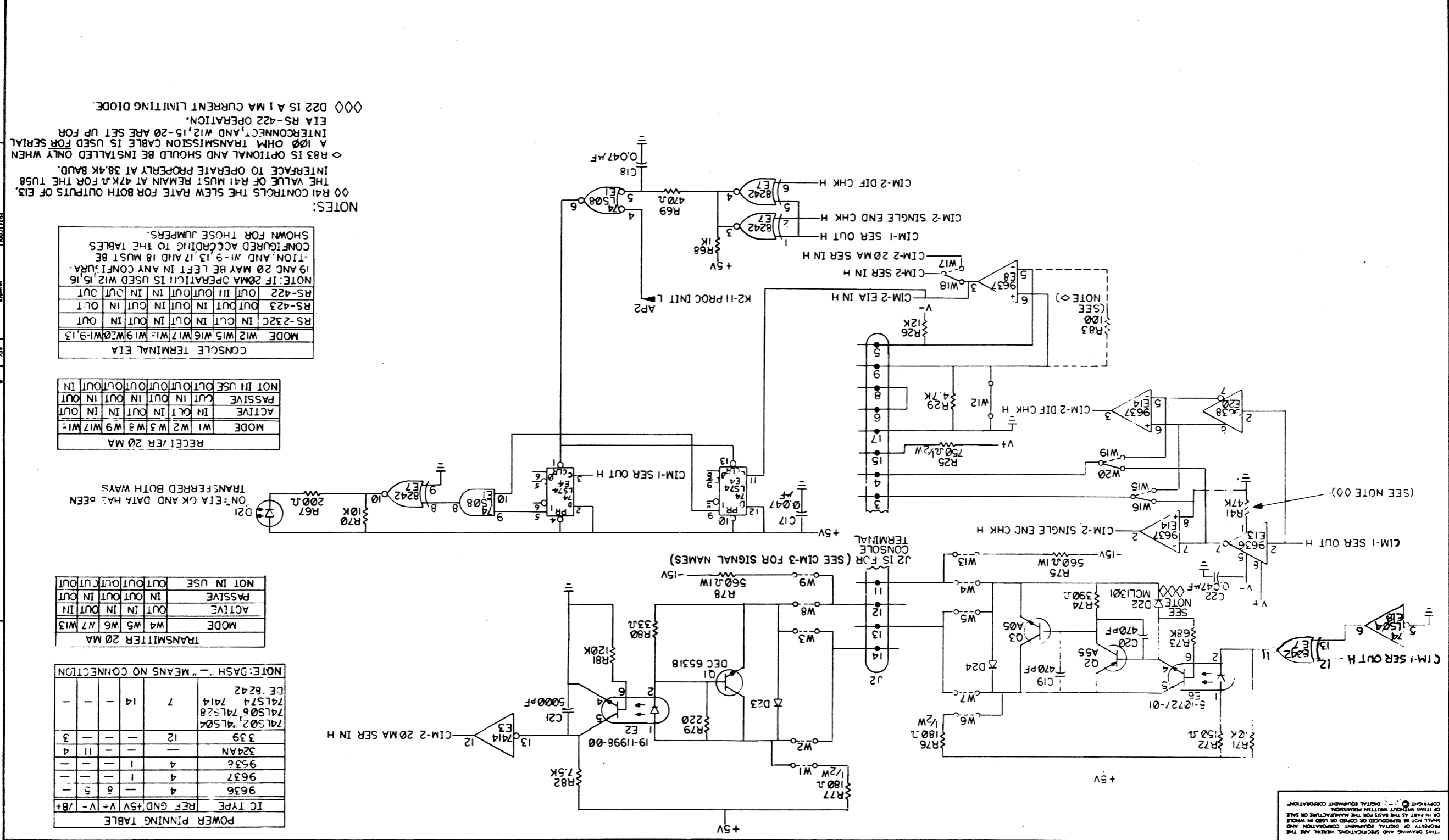
- \* W14: THIS JUMPER SELECTS ONE OF TWO EIA MODES FOR THE TU58 SERIAL LINE AS FOLLOWS:  
W14 IN: RS-232C SELECTED FOR TU58 INTERFACE.  
W14 OUT: RS-423 SELECTED FOR TU58 INTERFACE.  
NOTE THAT NEITHER 20MA OPERATION NOR EIA RS-422 OPERATION MAY BE SELECTED FOR THE TU58 INTERFACE.
- \* \*W21 IN: THE REMOTE DIAGNOSIS OPTION IS PREVENTED FROM CONTROLLING THE PROCESSOR WITH FRONT PANEL SWITCH SET TO LOCAL DISABLE.  
W21 OUT: THE REMOTE DIAGNOSIS OPTION CAN TAKE CONTROL OF THE PROCESSOR IN EITHER LOCAL OR LOCAL DISABLE MODE.

REV.	DATE	BY	CHK'D
1	10-1-77	W. HICKERSON	W. HICKERSON
2	10-1-77	W. HICKERSON	W. HICKERSON
3	10-1-77	W. HICKERSON	W. HICKERSON
4	10-1-77	W. HICKERSON	W. HICKERSON
5	10-1-77	W. HICKERSON	W. HICKERSON
6	10-1-77	W. HICKERSON	W. HICKERSON
7	10-1-77	W. HICKERSON	W. HICKERSON
8	10-1-77	W. HICKERSON	W. HICKERSON

DRW. & REV. 5	FIRST USED ON	PDP11/44
CHK'D BY W. HICKERSON	DATE	10-1-77
ENG. BY W. HICKERSON	DATE	10-1-77
PROJ. ENG. BY W. HICKERSON	DATE	10-1-77
PROD. BY W. HICKERSON	DATE	10-1-77
NEXT HIGHER ASSY.	SIZE	CODE
3-PD-M7090-2	D	CSM7090-0-1
SCALE	REV.	B
SHEET 1 OF 3	DRWT.	

REV.	CHG. NO.	REV.

REV. B	NUMBER DCS M7090-0-1	SIZE CODE (CIM-2)	TITLE CONSOLE INTERFACE	SCALE SHEET 2 OF 3	DIST.
--------	----------------------	-------------------	-------------------------	--------------------	-------



NOTES:  
 00 R41 CONTROLS THE SLEW RATE FOR BOTH OUTPUTS OF E13. THE VALUE OF R41 MUST REMAIN AT 47K FOR THE TUS8 INTERFACE TO OPERATE PROPERLY AT 38.4K BAUD.  
 00 R83 IS OPTIONAL AND SHOULD BE INSTALLED ONLY WHEN A 100 OHM TRANSMISSION CABLE IS USED FOR SERIAL INTERCONNECT, AND W12, 15-20 ARE SET UP FOR EIA RS-422 OPERATION.  
 000 D22 IS A 1 MA CURRENT LIMITING DIODE.

CONSOLE TERMINAL EIA

MODE	W12	W15	W16	W17	W18	W19	W20	W19,13
RS-232C	IN	OUT	IN	OUT	IN	OUT	IN	OUT
RS-423	OUT	OUT	IN	OUT	IN	OUT	IN	OUT
RS-422	OUT	IN	OUT	IN	IN	OUT	IN	OUT

NOTE: IF 20MA OPERATION IS USED W12, 15, 19 AND 20 MAY BE LEFT IN ANY CONFIGURATION AND W1-9, 13, 17 AND 18 MUST BE CONFIGURED ACCORDING TO THE TABLES SHOWN FOR THOSE JUMPERS.

RECEIVER 20 MA

MODE	W1	W2	W3	W3	W9	W17	W1-
ACTIVE	IN	OUT	IN	OUT	IN	OUT	IN
PASSIVE	CUT	IN	OUT	IN	OUT	IN	OUT
NOT IN USE	OUT	OUT	OUT	OUT	OUT	OUT	OUT

TRANSMITTER 20 MA

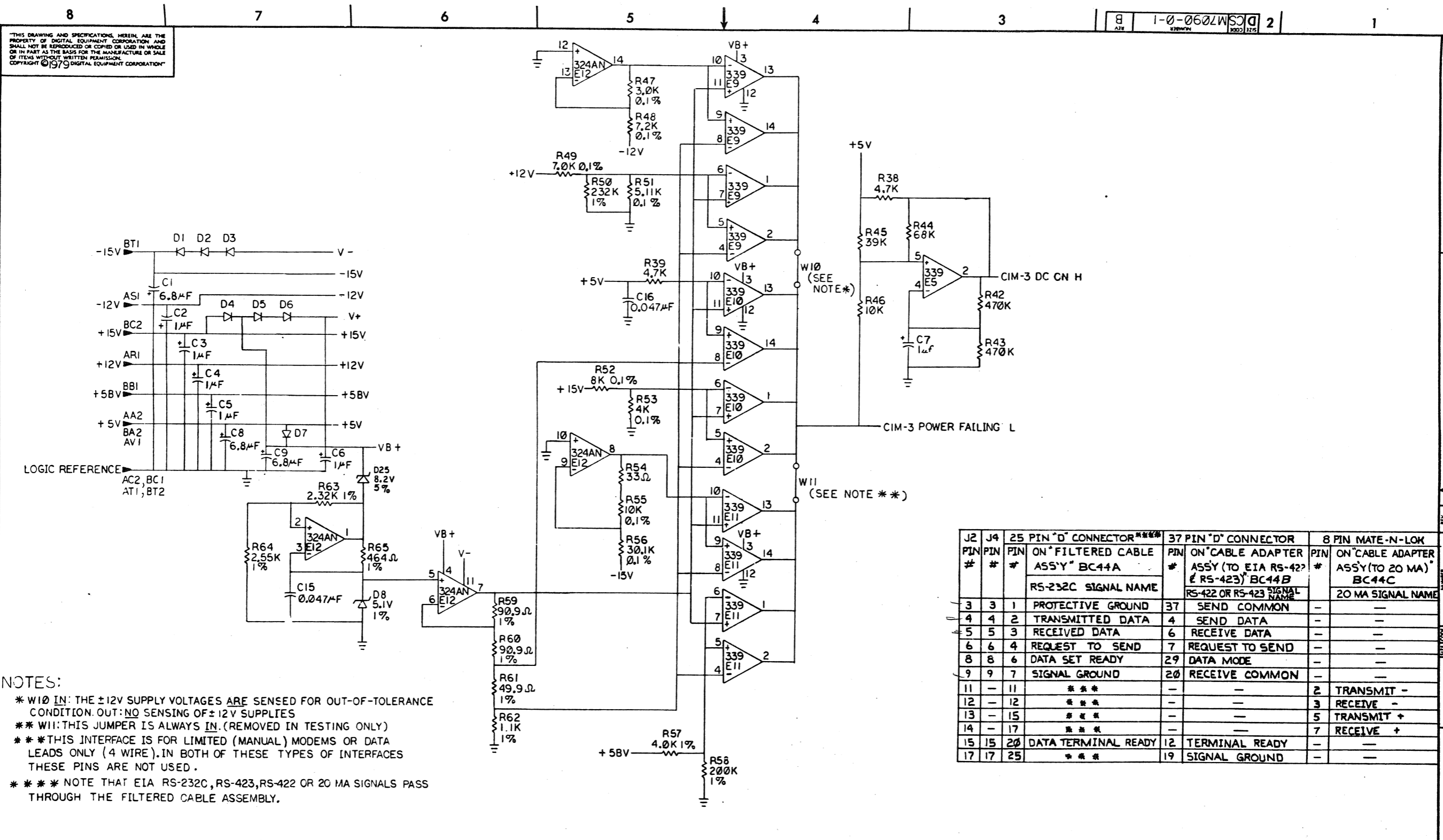
MODE	W4	W5	W6	W7	W13
ACTIVE	OUT	IN	OUT	IN	OUT
PASSIVE	IN	OUT	IN	OUT	IN
NOT IN USE	OUT	OUT	OUT	OUT	OUT

POWER PINNING TABLE

IC TYPE	REF GND	+5V	V+	V-	/B+
9636	4	8	5	-	-
9637	4	1	-	-	-
9536	4	1	-	-	-
324AN	-	-	11	4	-
339	12	-	-	-	3
74LS02, 74LS04	14	-	-	-	-
74LS06, 74LS28	7	14	-	-	-
74LS74	7	14	-	-	-
CE 8242	-	-	-	-	-

NOTE: DASH "-" MEANS NO CONNECTION

THIS DRAWING AND SPECIFICATIONS HEREIN ARE THE PROPERTY OF DIGITAL EQUIPMENT CORPORATION AND SHALL NOT BE REPRODUCED OR COPIED OR USED IN WHOLE OR IN PART AS THE BASIS FOR THE MANUFACTURE OR SALE OF ITEMS WITHOUT WRITTEN PERMISSION. COPYRIGHT © 1979 DIGITAL EQUIPMENT CORPORATION



NOTES:  
 \* W10 IN: THE ±12V SUPPLY VOLTAGES ARE SENSED FOR OUT-OF-TOLERANCE CONDITION. OUT: NO SENSING OF ±12V SUPPLIES  
 \*\* W11: THIS JUMPER IS ALWAYS IN. (REMOVED IN TESTING ONLY)  
 \*\*\* THIS INTERFACE IS FOR LIMITED (MANUAL) MODEMS OR DATA LEADS ONLY (4 WIRE). IN BOTH OF THESE TYPES OF INTERFACES THESE PINS ARE NOT USED.  
 \*\*\* NOTE THAT EIA RS-232C, RS-423, RS-422 OR 20 MA SIGNALS PASS THROUGH THE FILTERED CABLE ASSEMBLY.

RESISTOR TOLERANCES ARE 5% UNLESS OTHERWISE NOTED

J2 PIN #	J4 PIN #	25 PIN "D" CONNECTOR ON "FILTERED CABLE ASSY" BC44A	37 PIN "D" CONNECTOR ON "CABLE ADAPTER ASSY (TO EIA RS-422) BC44B RS-422 OR RS-423 SIGNAL NAME	8 PIN MATE-N-LOK ON "CABLE ADAPTER ASSY (TO 20 MA) BC44C	20 MA SIGNAL NAME		
3	3	1	PROTECTIVE GROUND	37	SEND COMMON	-	-
4	4	2	TRANSMITTED DATA	4	SEND DATA	-	-
5	5	3	RECEIVED DATA	6	RECEIVE DATA	-	-
6	6	4	REQUEST TO SEND	7	REQUEST TO SEND	-	-
8	8	6	DATA SET READY	29	DATA MODE	-	-
9	9	7	SIGNAL GROUND	20	RECEIVE COMMON	-	-
11	-	11	***	-	-	2	TRANSMIT -
12	-	12	***	-	-	3	RECEIVE -
13	-	15	***	-	-	5	TRANSMIT +
14	-	17	***	-	-	7	RECEIVE +
15	15	20	DATA TERMINAL READY	12	TERMINAL READY	-	-
17	17	25	***	19	SIGNAL GROUND	-	-

REVISIONS		
CHK	CHANGE NO.	REV.

LINE ITEM DOCUMENT NUMBER PART NUMBER DESCRIPTION QTY PER VARIATION REFERENCE DESIGNATOR

1 5013819-00 DRILL&ETCH BOARD 1

2 1000024-00 470.0 MMF 100V 5%200PFM MICA 2

3 1001765-00 .005 MFD 100V 20% ZST DISC 1

4 1001776-00 1 MFD 35V 10% S.TANT 6

5 1005306-00 6.8MFD 35V 10% S.TANT 3

6 1011895-00 .15 MFD 35V 10% S.TANT 3

7 1012784-00 .047 MFD 50V +80-20% CER 8

8 1103441-00 IN 756A VZ= 8.2 5% .40W P 1

9 1105275-00 D 672 TR= 15NS PIV= 60V SI 12

10 1105610-00 MCL1301 CL@1MA FROM10-80V 1

11 1105796-00 IN 4004 PIV=400 I= 1A D041 SP 9

12 1105871-00 1/4MS.IAZ1 = 5.1 1% .25W N 1

13 1110864-00 LED 2MCD@10MA 1

14 1209941-03 HEADER RT ANGLE LEFT L 4

15 1209941-04 HEADER RT ANGLE,RIGHT 4

16 1300197-00 .33.0 .25 W 5.0 % CC 2

17 1300229-00 100.0 .25 W 5.0 % CC 3

18 1200250-00 150.0 .25 W 5.0 % CC 1

19 1300260-00 180.0 .50 W 5.0 % CC 2

20 1300271-00 220.0 .25 W 5.0 % CC 1

21 1300309-00 390.0 .25 W 5.0 % CC 1

22 1300316-00 470.0 .25 W 5.0 % CC 1

23 1300354-00 750.0 .50 W 5.0 % CC 2

24 1300365-00 1.0 K .25 W 5.0 % CC 3

25 1300447-00 4.70 K .25 W 5.0 % CC 12

26 1300479-00 10.0 K .25 W 5.0 % CC 12

27 1300488-00 12.0 K .25 W 5.0 % CC 2

28 1300539-00 120.0 K .25 W 5.0 % CC 2

29 1301327-00 68.0 K .25 W 5.0 % CC 2

30 1301422-00 7.50 K .25 W 5.0 % CC 1

REVISION HISTORY BASIC PART NO: M7090 DRN: K.FRIEDGEN DATE: 10-MAY-79

ENGI ECO NUMBER REV SECTION A OF A TITLE PARTS LIST

--- INITIAL \* SECTION,VARIATION INDEX CHK'D: F.GAROFALO DATE: 7-FEB-79

BG M7090-TW001 BA CAJ 00

RN M7090-YW002 IB CB

RN M7090-TW002 Bg IB CAJ 00

DES.ENG.: B.GIST DATE: 7-FEB-79 DOCUMENT NUMBER

RESP.ENG.: B.GIST DATE: 9-NOV-78 SIZE CODE: NUMBER REV

MFG.ENG.: J.COMELLA DATE: 10-MAY-79 K PL M7090-0-DBP B

ASSEMBLY NUMBER: TOP DOCUMENT NUMBER: FILE NAME: Z0394R.PLS EDIT # 12

THIS DRAWING AND SPECIFICATIONS HEREIN, ARE THE PROPERTY OF DIGITAL EQUIPMENT CORPORATION AND SHALL NOT BE REPRODUCED OR COPIED OR USED IN PART AS THE BASIS FOR THE MANUFACTURE OR SALE OF ITEMS WITHOUT WRITTEN PERMISSION.

COPYRIGHT (C) 1980. DIGITAL EQUIPMENT CORPORATION.

1  
2  
3  
4  
5  
6  
7  
8  
9  
10  
11  
12  
13  
14  
15  
16  
17  
18  
19  
20  
21  
22  
23  
24  
25  
26  
27  
28  
29  
30

1  
2  
3  
4  
5  
6  
7  
8  
9  
10  
11  
12  
13  
14  
15  
16  
17  
18  
19  
20  
21  
22  
23  
24  
25  
26  
27  
28  
29  
30

1  
2  
3  
4  
5  
6  
7  
8  
9  
10  
11  
12  
13  
14  
15  
16  
17  
18  
19  
20  
21  
22  
23  
24  
25  
26  
27  
28  
29  
30

1  
2  
3  
4  
5  
6  
7  
8  
9  
10  
11  
12  
13  
14  
15  
16  
17  
18  
19  
20  
21  
22  
23  
24  
25  
26  
27  
28  
29  
30

1  
2  
3  
4  
5  
6  
7  
8  
9  
10  
11  
12  
13  
14  
15  
16  
17  
18  
19  
20  
21  
22  
23  
24  
25  
26  
27  
28  
29  
30

1  
2  
3  
4  
5  
6  
7  
8  
9  
10  
11  
12  
13  
14  
15  
16  
17  
18  
19  
20  
21  
22  
23  
24  
25  
26  
27  
28  
29  
30

1  
2  
3  
4  
5  
6  
7  
8  
9  
10  
11  
12  
13  
14  
15  
16  
17  
18  
19  
20  
21  
22  
23  
24  
25  
26  
27  
28  
29  
30

1  
2  
3  
4  
5  
6  
7  
8  
9  
10  
11  
12  
13  
14  
15  
16  
17  
18  
19  
20  
21  
22  
23  
24  
25  
26  
27  
28  
29  
30

1  
2  
3  
4  
5  
6  
7  
8  
9  
10  
11  
12  
13  
14  
15  
16  
17  
18  
19  
20  
21  
22  
23  
24  
25  
26  
27  
28  
29  
30

1  
2  
3  
4  
5  
6  
7  
8  
9  
10  
11  
12  
13  
14  
15  
16  
17  
18  
19  
20  
21  
22  
23  
24  
25  
26  
27  
28  
29  
30

1  
2  
3  
4  
5  
6  
7  
8  
9  
10  
11  
12  
13  
14  
15  
16  
17  
18  
19  
20  
21  
22  
23  
24  
25  
26  
27  
28  
29  
30

1  
2  
3  
4  
5  
6  
7  
8  
9  
10  
11  
12  
13  
14  
15  
16  
17  
18  
19  
20  
21  
22  
23  
24  
25  
26  
27  
28  
29  
30

1  
2  
3  
4  
5  
6  
7  
8  
9  
10  
11  
12  
13  
14  
15  
16  
17  
18  
19  
20  
21  
22  
23  
24  
25  
26  
27  
28  
29  
30

1  
2  
3  
4  
5  
6  
7  
8  
9  
10  
11  
12  
13  
14  
15  
16  
17  
18  
19  
20  
21  
22  
23  
24  
25  
26  
27  
28  
29  
30

1  
2  
3  
4  
5  
6  
7  
8  
9  
10  
11  
12  
13  
14  
15  
16  
17  
18  
19  
20  
21  
22  
23  
24  
25  
26  
27  
28  
29  
30

1  
2  
3  
4  
5  
6  
7  
8  
9  
10  
11  
12  
13  
14  
15  
16  
17  
18  
19  
20  
21  
22  
23  
24  
25  
26  
27  
28  
29  
30

1  
2  
3  
4  
5  
6  
7  
8  
9  
10  
11  
12  
13  
14  
15  
16  
17  
18  
19  
20  
21  
22  
23  
24  
25  
26  
27  
28  
29  
30

1  
2  
3  
4  
5  
6  
7  
8  
9  
10  
11  
12  
13  
14  
15  
16  
17  
18  
19  
20  
21  
22  
23  
24  
25  
26  
27  
28  
29  
30

1  
2  
3  
4  
5  
6  
7  
8  
9  
10  
11  
12  
13  
14  
15  
16  
17  
18  
19  
20  
21  
22  
23  
24  
25  
26  
27  
28  
29  
30

1  
2  
3  
4  
5  
6  
7  
8  
9  
10  
11  
12  
13  
14  
15  
16  
17  
18  
19  
20  
21  
22  
23  
24  
25  
26  
27  
28  
29  
30

1  
2  
3  
4  
5  
6  
7  
8  
9  
10  
11  
12  
13  
14  
15  
16  
17  
18  
19  
20  
21  
22  
23  
24  
25  
26  
27  
28  
29  
30

1  
2  
3  
4  
5  
6  
7  
8  
9  
10  
11  
12  
13  
14  
15  
16  
17  
18  
19  
20  
21  
22  
23  
24  
25  
26  
27  
28  
29  
30

1  
2  
3  
4  
5  
6  
7  
8  
9  
10  
11  
12  
13  
14  
15  
16  
17  
18  
19  
20  
21  
22  
23  
24  
25  
26  
27  
28  
29  
30

1  
2  
3  
4  
5  
6  
7  
8  
9  
10  
11  
12  
13  
14  
15  
16  
17  
18  
19  
20  
21  
22  
23  
24  
25  
26  
27  
28  
29  
30

1  
2  
3  
4  
5  
6  
7  
8  
9  
10  
11  
12  
13  
14  
15  
16  
17  
18  
19  
20  
21  
22  
23  
24  
25  
26  
27  
28  
29  
30

1  
2  
3  
4  
5  
6  
7  
8  
9  
10  
11  
12  
13  
14  
15  
16  
17  
18  
19  
20  
21  
22  
23  
24  
25  
26  
27  
28  
29  
30

1  
2  
3  
4  
5  
6  
7  
8  
9  
10  
11  
12  
13  
14  
15  
16  
17  
18  
19  
20  
21  
22  
23  
24  
25  
26  
27  
28  
29  
30

1  
2  
3  
4  
5  
6  
7  
8  
9  
10  
11  
12  
13  
14  
15  
16  
17  
18  
19  
20  
21  
22  
23  
24  
25  
26  
27  
28  
29  
30

1  
2  
3  
4  
5  
6  
7  
8  
9  
10  
11  
12  
13  
14  
15  
16  
17  
18  
19  
20  
21  
22  
23  
24  
25  
26  
27  
28  
29  
30

1  
2  
3  
4  
5  
6  
7  
8  
9  
10  
11  
12  
13  
14  
15  
16  
17  
18  
19  
20  
21  
22  
23  
24  
25  
26  
27  
28  
29  
30

1  
2  
3  
4  
5  
6  
7  
8  
9  
10  
11  
12  
13  
14  
15  
16  
17  
18  
19  
20  
21  
22  
23  
24  
25  
26  
27  
28  
29  
30

1  
2  
3  
4  
5  
6  
7  
8  
9  
10  
11  
12  
13  
14  
15  
16  
17  
18  
19  
20  
21  
22  
23  
24  
25  
26  
27  
28  
29  
30

1  
2  
3  
4  
5  
6  
7  
8  
9  
10  
11  
12  
13  
14  
15  
16  
17  
18  
19  
20  
21  
22  
23  
24  
25  
26  
27  
28  
29  
30

1  
2  
3  
4  
5  
6  
7  
8  
9  
10  
11  
12  
13  
14  
15  
16  
17  
18  
19  
20  
21  
22  
23  
24  
25  
26  
27  
28  
29  
30

1  
2  
3  
4  
5  
6  
7  
8  
9  
10  
11  
12  
13  
14  
15  
16  
17  
18  
19  
20  
21  
22  
23  
24  
25  
26  
27  
28  
29  
30

1  
2  
3  
4  
5  
6  
7  
8  
9  
10  
11  
12  
13  
14  
15  
16  
17  
18  
19  
20  
21  
22  
23  
24  
25  
26  
27  
28  
29  
30

1  
2  
3  
4  
5  
6  
7  
8  
9  
10  
11  
12  
13  
14  
15  
16  
17  
18  
19  
20  
21  
22  
23  
24  
25  
26  
27  
28  
29  
30

1  
2  
3  
4  
5  
6  
7  
8  
9  
10  
11  
12  
13  
14  
15  
16  
17  
18  
19  
20  
21  
22  
23  
24  
25  
26  
27  
28  
29  
30

1  
2  
3  
4  
5  
6  
7  
8  
9  
10  
11  
12  
13  
14  
15  
16  
17  
18  
19  
20  
21  
22  
23  
24  
25  
26  
27  
28  
29  
30

1  
2  
3  
4  
5  
6  
7  
8  
9  
10  
11  
12  
13  
14  
15  
16  
17  
18  
19  
20  
21  
22  
23  
24  
25  
26  
27  
28  
29  
30

1  
2  
3  
4  
5  
6  
7  
8  
9  
10  
11  
12  
13  
14  
15  
16  
17  
18  
19  
20  
21  
22  
23  
24  
25  
26  
27  
28  
29  
30

1  
2  
3  
4  
5  
6  
7  
8  
9  
10  
11  
12  
13  
14  
15  
16  
17  
18  
19  
20  
21  
22  
23  
24  
25  
26  
27  
28  
29  
30

1  
2  
3  
4  
5  
6  
7  
8  
9  
10  
11  
12  
13  
14  
15  
16  
17  
18  
19  
20  
21  
22  
23  
24  
25  
26  
27  
28  
29  
30

1  
2  
3  
4  
5  
6  
7  
8  
9  
10  
11  
12  
13  
14  
15  
16  
17  
18  
19  
20  
21  
22  
23  
24  
25  
26  
27  
28  
29  
30

1  
2  
3  
4  
5  
6  
7  
8  
9  
10  
11  
12  
13  
14  
15  
16  
17  
18  
19  
20  
21  
22  
23  
24  
25  
26  
27  
28  
29  
30

1  
2  
3  
4  
5  
6  
7  
8  
9  
10  
11  
12  
13  
14  
15  
16  
17  
18  
19  
20  
21  
22  
23  
24  
25  
26  
27  
28  
29  
30

1  
2  
3  
4  
5  
6  
7  
8  
9  
10  
11  
12  
13  
14  
15  
16  
17  
18  
19  
20  
21  
22  
23  
24  
25  
26  
27  
28  
29  
30

1  
2  
3  
4  
5  
6  
7  
8  
9  
10  
11  
12  
13  
14  
15  
16  
17  
18  
19  
20  
21  
22  
23  
24  
25  
26  
27  
28  
29  
30

1  
2  
3  
4  
5  
6  
7  
8  
9  
10  
11  
12  
13  
14  
15  
16  
17  
18  
19  
20  
21  
22  
23  
24  
25  
26  
27  
28  
29  
30

1  
2  
3  
4  
5  
6  
7  
8  
9  
10  
11  
12  
13  
14  
15  
16  
17  
18  
19  
20  
21  
22  
23  
24  
25  
26  
27  
28  
29  
30

1  
2  
3  
4  
5  
6  
7  
8  
9  
10  
11  
12  
13  
14  
15  
16  
17  
18  
19  
20  
21  
22  
23  
24  
25  
26  
27  
28  
29  
30

1  
2  
3  
4  
5  
6  
7  
8  
9  
10  
11  
12  
13  
14  
15  
16  
17  
18  
19  
20  
21  
22  
23  
24  
25  
26  
27  
28  
29  
30

1  
2  
3  
4  
5  
6  
7  
8  
9  
10  
11  
12  
13  
14  
15  
16  
17  
18  
19  
20  
21  
22  
23  
24  
25  
26  
27  
28  
29  
30

1  
2  
3  
4  
5  
6  
7  
8  
9  
10  
11  
12  
13  
14  
15  
16  
17  
18  
19  
20  
21  
22  
23  
24  
25  
26  
27  
28  
29  
30

1  
2  
3  
4  
5  
6  
7  
8  
9  
10  
11  
12  
13  
14  
15  
16  
17  
18  
19  
20  
21  
22  
23  
24  
25  
26  
27  
28  
29  
30

1  
2  
3  
4  
5  
6  
7  
8  
9  
10  
11  
12  
13  
14  
15  
16  
17  
18  
19  
20  
21  
22  
23  
24  
25  
26  
27  
28  
29  
30

1  
2  
3  
4  
5  
6  
7  
8  
9  
10  
11  
12  
13  
14  
15  
16  
17  
18  
19  
20  
21  
22  
23  
24  
25  
26  
27  
28  
29  
30

1  
2  
3  
4  
5  
6  
7  
8  
9  
10  
11  
12  
13  
14  
15  
16  
17  
18  
19  
20  
21  
22  
23  
24  
25  
26  
27  
28  
29  
30

1  
2  
3  
4  
5  
6  
7  
8  
9  
10  
11  
12  
13  
14  
15  
16  
17  
18  
19  
20  
21  
22  
23  
24  
25  
26  
27  
28  
29  
30

1  
2  
3  
4  
5  
6  
7  
8  
9  
10  
11  
12  
13  
14  
15  
16  
17  
18  
19  
20  
21  
22  
23  
24  
25  
26  
27  
28  
29  
30

1  
2  
3  
4  
5  
6  
7  
8  
9  
10  
11  
12  
13  
14  
15  
16  
17  
18  
19  
20  
21  
22  
23  
24  
25  
26  
27  
28  
29  
30

1  
2  
3  
4  
5  
6  
7  
8  
9  
10  
11  
12  
13  
14  
15  
16  
17  
18  
19  
20  
21  
22  
23  
24  
25  
26  
27  
28  
29  
30

1  
2  
3  
4  
5  
6  
7  
8  
9  
10  
11  
12  
13  
14  
15  
16  
17  
18  
19  
20  
21  
22  
23  
24  
25  
26  
27  
28  
29  
30

1

LINE	ITEM	DOCUMENT NUMBER	PART NUMBER	DESCRIPTION	QTY	PER VARIATION	REFERENCE DESIGNATOR
					00		
31	31		1302177-00	47.0 K .25 W 5.0 % CC	4		R4,R6,R8,R41
32	32		1302396-00	150.0 K .25 W 5.0 % CC	1		R11
33	33		1302397-00	180.0 K .25 W 5.0 % CC	2		R12,R13
34	34		1302398-00	470.0 K .25 W 5.0 % CC	5		R22-R24,R42,R43
35	35		1302514-00	39.0 K .25 W 5.0 % CC	1		R45
36	36		1302645-00	1.10 K .25 W 1.0 % RN55D-F10	1		R62
37	37		1302676-00	3.0 K .25 W .10% RN55E-B 2	1		R47
38	38		1302931-00	49.90 .25 W 1.0 % RN55D-F10	1		R61
39	39		1303037-00	90.90 .25 W 1.0 % RN55D-F10	2		R59,R60
40	40		1303047-00	464.0 .25 W 1.0 % RN55D-F10	1		R65
41	41		1303048-00	560.0 1.0 W 5.0 % CC	2		R75,R78
42	42		1303205-00	7.20 K .25 W .10% RN55E-B 2	1		R48
43	43		1304728-00	4.0 K .25 W .10% RN55E-B 2	1		R53
44	44		1305127-00	4.0 K .25 W 1.0 % RN55D-F10	1		R57
45	45		1305336-00	200.0 K .25 W 1.0 % RN55D-F10	1		R58
46	46		1305355-00	7.0 K .25 W .10% RN55C-B 5	1		R49
47	47		1305356-00	8.0 K .25 W .10% RN55C-B 5	1		R52
48	48		1305424-00	232.0 K .25 W 1.0 % RN55D-F10	1		R50
49	49		1305431-00	10.0 K .25 W .10% RN55E-B 2	1		R55
50	50		1305432-00	5.11 K .25 W .10% RN55E-B 2	1		R51
51	51		1310248-00	30.10 K .25 W .10% RN55E-B 2	1		R56
52	52		1310633-00	2.55 K .25 W 1.0 % RN55D-F10	1		R64
53	53		1311522-00	200.0 .25 W 5.0 % CC	1		R67
54	54		1312545-00	2.32 K .25 W 1.0 % RN55D-F10	1		R63
55	55		1509338-00	DEC6531B NPN 310MW SI 40 90 P	1		Q1
56	56		1510705-00	XA 05 NPN 500MW SI 60 50 P	1		Q3
57	57		1510706-00	XA 55 PNP 500MW SI 60 50 P	1		Q2
58	58		1510727-01	OPTO COUPLED ISOLATOR	1		E6
59	59		1601562-00	1.0 UH 10% 475MA #DD1.00	1		L1
60	60		1601759-00	33 UH 5% 300MA	1		L2
61	61		1909712-00	DEC 8242 COMPARATOR-4BIT N,	1		E7
62	62		1911324-00	7414 INVERTER,HEX 1IN SCH	1		E3
63	63		1911998-00	4N26 OPTO COUPLED ISLTR	1		E2
64	64		1912107-01	324ANOP AMP,QUAD	1		E12
65	65		1912108-00	339 VOLT CMPRTR,QUAD	4		E5,E9-E11
66	66		1912801-00	LS02 NOR-GATE-QUAD 2IN	2		E16,E17
67	67		1912803-00	LS04 INVERTER GATE-HEX 1I	1		E18
68	68		1912805-00	LS08 AND GATE-QUAD 2IN,PO	1		E1
69	69		1912814-00	LS28 NOR GATE-QUAD 2IN,PO	1		E15
70	70		1912824-00	LS74 FF-D DUAL,EDGE TRIGG	1		E4
71	71		1915415-00	9636 DRIVER,DUAL,EIA RS-	1		E13
72	72		1915416-00	9637 RECEIVER,DUAL,RS-42	4		E8,E14,E19,E21
73	73		1915417-00	9638 DRIVER,DUAL,EIA RS-	2		E20,E22
74	74		1209941-13	HEADER 20POS RT ANGLE	3		J2-J4
75	75		1209941-12	HEADER 10POS RT ANGLE	1		J1
76	76		7422428-00	*** THIS ITEM IS NOT USED ***	-		
77	77		9006732-00	EYELET, ROLLED FLANGE, .121 OD X	4		
78	78		9007112-00	TERM QUICK 1POS ADAPTER	1		TP1

D	I	G	I	T	A	L	TITLE	SECTION A	OF A	SIZE	CODE	DOCUMENT NUMBER	REV
							CONSOLE INTERFACE MODULE			K	PL	M7090-0-DBP	B

TW

AUTOMATED BY FRTLSJ(25)

PARTS LIST

SHEET A3 OF A3

QTY PER VARIATION REFERENCE DESIGNATOR

LINE ITEM DOCUMENT NUMBER PART NUMBER DESCRIPTION

79	9008337-06	HANDLE, FLIP CHIP, MAGENTA	2
80	9009000-00	EYELET, ROLLED FLANGE, .121 OD X	1
81	9009157-00	ADH, LIG, RM, TEMP CURING COLORLESS	A/R
82	9009185-00	JUMPER, WIRE, INSULATED, BLACK B	6
83	9105740-55	WIRE(WRAP)30AWG ULI423	1
84	9107360-00	WIRE, STRND, 18AWG, PVC ULI429	A/R

W10-W12, W16, W18, W20

85 NOTE: ITEM #84 IS USED.

D	I	G	I	T	A	L	TITLE	CONSOLE INTERFACE MODULE	SECTION A OF A	SIZE CODE	DOCUMENT NUMBER	REV	
										K	PL	M7090-0-DBF	B

M