

AUTOMATED BY PRTLST.3P(44)

PARTS LIST

SHEET A1 OF A1

LINE	ITEM	DOCUMENT NUMBER	PART NUMBER	DESCRIPTION	QUANTITY PER VARIATION	MG
1	1	E-PS-1216971-0-0	1216971-00	CHASSIS SLIDE FOR 3A11-A	1	
2	2	C-MD-7413659-0-0	7413659-00	BRACKET SHIPPING	1	
3	3	B-PS-1216197-0-0	1216197-00	SCREW, PIVOT	2	
4	4	D-MD-7421613-0-0	7421613-00	SLICE INDEX PLATES	1	
5	5	D-MD-7421613-0-0	7421613-01	SLIDE INDEX PLATE	1	
6	6	A-SP-3700471-0-0	3700471-00	PKG KIT OPTION SLIDES, H9544-MF	1	
7	7		9006565-00	NUT, KEP 10-32X 3/8 AF	1	

REVISION HISTORY		BASIC PART NO: H9544		DRN: F. J. RILEY	DATE: 29-OCT-80	DIGITAL	
ENG	ECO NUMBER	REV	SECTION A OF A	CHK'D: R. J. RILEY	DATE: 29-OCT-80	TITLE	PARTS LIST
	INITIAL	A	SECTION VARIATION INDEX (A) MG			BALL-A SLIDE KIT	
			(B)	DES. ENG.: P. BOLDREAU	DATE: 29-OCT-90	DOCUMENT NUMBER	
			(C)				
			(D)	RESP. ENG.: J. KRATOSKA	DATE: 29-OCT-90	SIZE	CODE
			(E)			NUMBER	REV
			(F)	MFG. ENG.: B. GINSBERG	DATE: 20-JUL-91	K	PL
				ASSEMBLY NUMBER: E-AD-H9544-MG-0	TOP DOCUMENT NUMBER: B-TC-H9544-MG-2	H9544-MG-DBP A	
						FILE NAME:	EDIT #
						Z1835.PLS	2

"THIS DRAWING AND SPECIFICATIONS HEREIN, ARE THE PROPERTY OF DIGITAL EQUIPMENT CORPORATION AND SHALL NOT BE REPRODUCED OR COPIED OR USED IN WHOLE OR IN PART AS THE BASIS FOR THE MANUFACTURE OR SALE OF ITEMS WITHOUT WRITTEN PERMISSION. COPYRIGHT (C) 1991. DIGITAL EQUIPMENT CORPORATION"

"The material herein is for information purposes only and is subject to change without notice. Digital Equipment Corporation assumes no responsibility for any errors which may appear herein."

DRAWING DIRECTORY

"This drawing and specifications, herein, are the property of Digital Equipment Corporation and shall not be reproduced or copied or used in whole or in part as the basis for the manufacture or sale of items without written permission.
Copyright (C) 1980 Digital Equipment Corporation"

FOR FIELD MAINTAINCE PRINT SET REFER TO B-TC-H9544-MG-2

UNIT VARIATIONS	
VAR	TITLE
H9544-MG	BA11-A SLIDE KIT

Revision History		Used on Option/Model	Responsible Eng.	DIGITAL			
Eng	ECO Number	REV	BA11-A	Date :	J KRATOSKA	TITLE	
---	INITIAL	A		Date :	18 AUGUST 81	DRAWING DIRECTORY	
				Made By	J SULLIVAN	BA11-A SLIDE KIT	
				Date :	18 AUGUST 81		
				Checked By	J SULLIVAN		
				Date :	18 AUGUST 81		
				Design Engineer	R BOUDREAU		
				Date :	18 AUGUST 81		
				Production Eng.	B GINSBERG	SIZE	CODE
				Date :	18 AUGUST 81	K	DD
						DOCUMENT NUMBER	REV.
						H9544-MG-0	A
						Sheet 1 of 2	Edit # 0001

DESCRIPTION	DRAWING NUMBER	#	DESCRIPTION	DRAWING NUMBER	DESCRIPTION
E P Y T					

- MP01265 BA11-A SLIDE KIT (MP)
 B-TC-H9544-MG-2 BA11-A SLIDE KIT (TC)
 E-AD-H9544-MG-0 BA11-A SLIDE MTG
 K-PL-H9544-MG-DBF BA11-A SLIDE KIT (KPL)
 E-PS-1216971-0-0 CHASSIS SLIDE FOR BA11-A
 C-MD-7413659-0-0 BRACKET SHIPPING
 B-PS-1216197-0-0 SCREW, PIVOT
 D-MD-7412613-0-0 SLIDE INDEX PLATE
 A-SP-3700471-0-0 INSTR PKG SLIDES 1144-CA, CB

Type: E Electrical
 M Mechanical
 E/M Electro/Mechanical
 D I G I I A L
 TITLE BA11-A SLIDE KIT
 DRAWING DIRECTORY
 SIZE | CODE | DOCUMENT NUMBER | REV.
 K | DD | H9544-MG-0 | A
 Sheet 2 of 2 | Edit # 0001
 TM

REV.	REV.	CHANGED NO.	DATE
1	1	7016487-M-001 A	9. 1964
DRAWN BY		F. CERASUSKIS	
CHECKED BY		F. CERASUSKIS	

REV.	REV.	CHANGED NO.	DATE
1	1	7016487-0-0	1/4/4
DRAWN BY		F. CERASUSKIS	
CHECKED BY		F. CERASUSKIS	

CAUTION: OFF SHEET PARTS LIST EXISTS
SEE K-PL-7016487-0-DBP

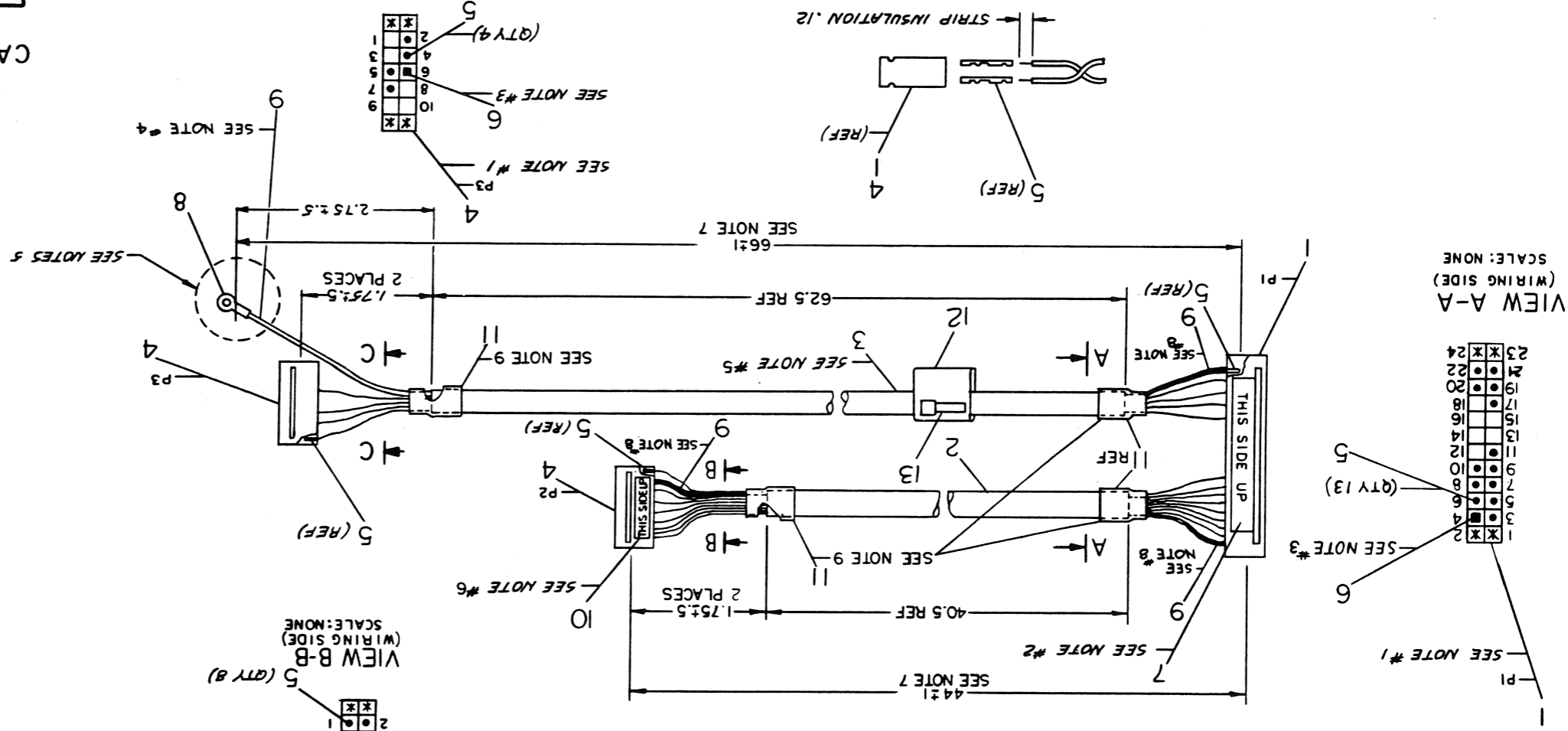
WIRE TABLE

ITEM	DESCRIPTION	FROM	TO	REMARKS
2	DRAIN	P1-3	P2-3	ITEM 5 SEE NOTE 8
2	RED	P1-5	P2-4	ITEM 5
2	WHT	P1-6	P2-5	ITEM 5
2	GRN	P1-7	P2-1	ITEM 5
2	BLK	P1-8	P2-2	ITEM 5
2	BRN	P1-9	P2-9	ITEM 5
2	ORN	P1-10	P2-8	ITEM 5
2	BLU	P1-11	P2-10	ITEM 5
3	BLK	P1-17	P3-2	ITEM 5
3	GRN	P1-19	P3-4	ITEM 5
3	WHT	P1-20	P3-5	ITEM 5
3	RED	P1-21	P3-7	ITEM 5
3	DRAIN	P1-22	ITEM 5	ITEM 8

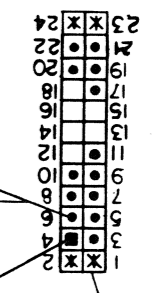
LEGEND

VARIATION	USED WITH
00	5413671 CONSOLE MODULE
01	5414441 CONSOLE MODULE

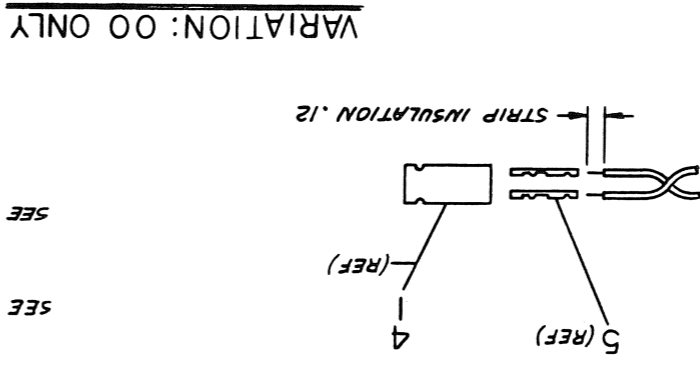
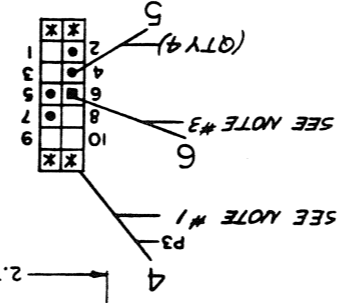
- NOTES:**
- LOCATIONS MARKED (A) IN VIEWS A-A, B-B AND C-C ARE NOT TO BE USED.
 - PLACE LABEL (ITEM #7) ON SIDE AS SHOWN FOR VAR: 00 ONLY, FOR VAR: 01, PLACE ON OPPOSITE SIDE OF CONN. P1.
 - FOR VAR: 00 ONLY, CONNS. P1-4, P2-6, P3-6 (ITEM 4) SHALL HAVE ONE KEY (ITEM 6) INSERTED AS SHOWN. FOR VAR: 01 CONNS. P2-6, P3-6 (ITEM 4) SHALL HAVE TWO KEYS (ITEM 6) INSERTED AS SHOWN.
 - SLIDE EXTRUDED TUBING (ITEM 9) OVER DRAIN WIRE, WHERE IT BREAKS OUT OF CABLE AS REQUIRED.
 - WIRE FROM P1-22 TO ITEM #8 SHALL BE MADE 1 INCH LONGER THAN WIRES FROM P1 TO P3.
 - LOCATE LABEL (ITEM #10) AS SHOWN ON CONNECTOR P2 (ITEM #4).
 - CUT LENGTH
 - SLIDE EXTRUDED TUBING (ITEM 9) OVER DRAIN WIRE BEFORE CRIMPING CONTACTS P2-3, P1-3, P1-22.
 - INSTALL SHRINK TUBING (ITEM #11) APPROX 1 INCH LONG, OVERLAPPING CABLE JACKET
 - CONN P1-19 AND P1-3 (ITEM 1) SHALL HAVE



VIEW A-A
(WIRING SIDE)
SCALE: NONE



VIEW-C-C
(WIRING SIDE)
SCALE: NONE



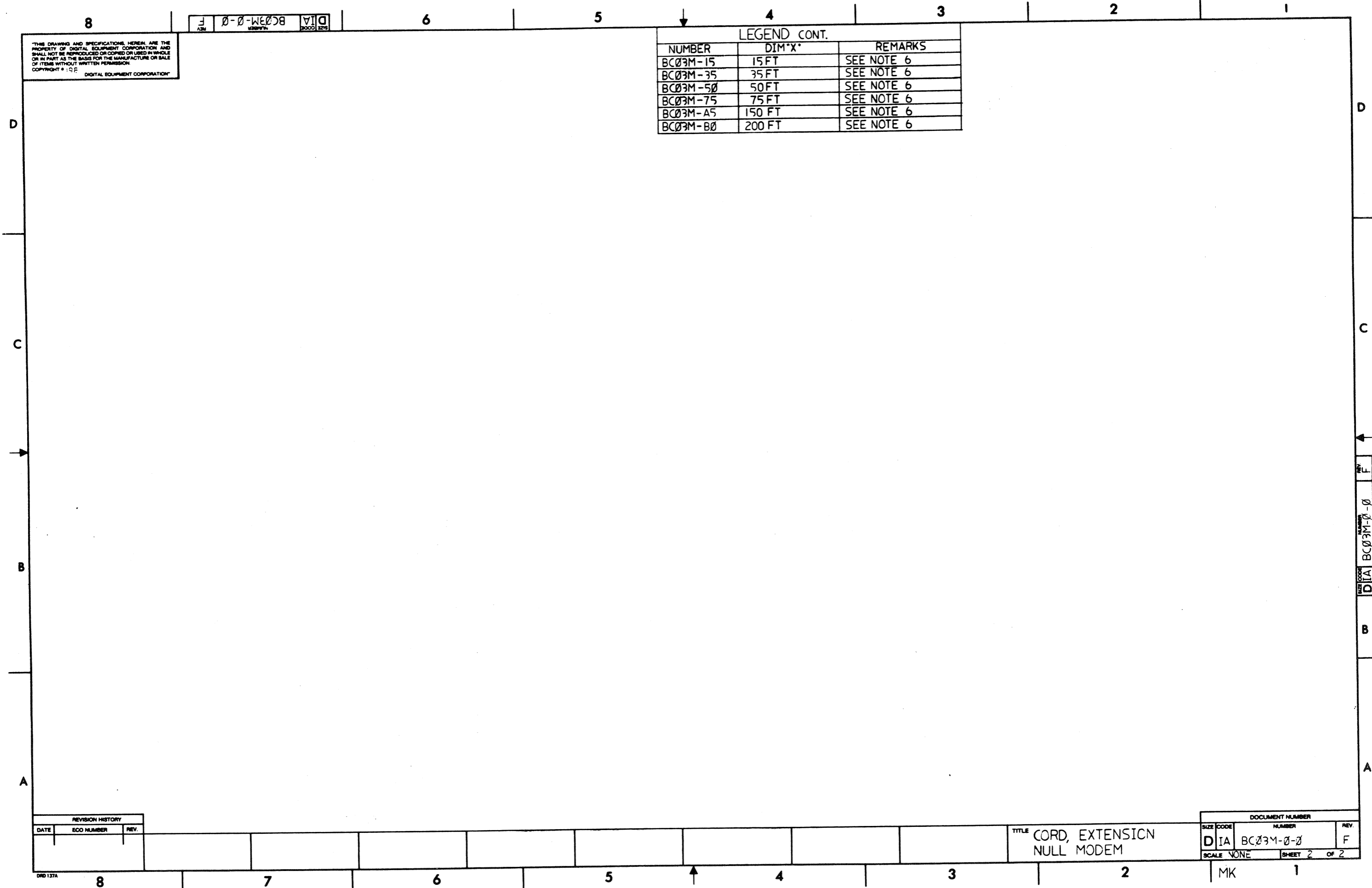
DATA 7016487-0-0 A

THIS DRAWING AND SPECIFICATIONS HEREBY ARE THE PROPERTY OF BENTLEY SYSTEMS CORPORATION AND SHALL BE REPRODUCED OR COPIED IN WHOLE OR IN PART WITHOUT WRITTEN PERMISSION.
COPYRIGHT © 1983, BENTLEY SYSTEMS CORPORATION

THIS DRAWING AND SPECIFICATIONS HEREIN ARE THE PROPERTY OF DIGITAL EQUIPMENT CORPORATION AND SHALL NOT BE REPRODUCED OR COPIED OR USED IN WHOLE OR IN PART AS THE BASIS FOR THE MANUFACTURE OR SALE OF ITEMS WITHOUT WRITTEN PERMISSION.
 COPYRIGHT © 1982 DIGITAL EQUIPMENT CORPORATION

REV. F 0-0-W6008 DIA 3000 2270

LEGEND CONT.		
NUMBER	DIM*X*	REMARKS
BC03M-15	15 FT	SEE NOTE 6
BC03M-35	35 FT	SEE NOTE 6
BC03M-50	50 FT	SEE NOTE 6
BC03M-75	75 FT	SEE NOTE 6
BC03M-A5	150 FT	SEE NOTE 6
BC03M-B0	200 FT	SEE NOTE 6



REVISION HISTORY		
DATE	ECO NUMBER	REV.

TITLE CORD, EXTENSION
 NULL MODEM

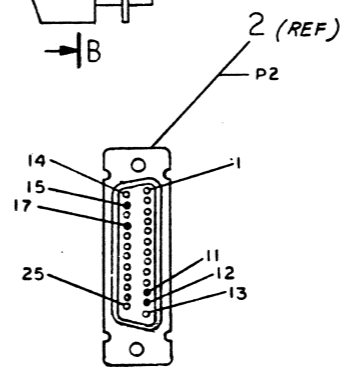
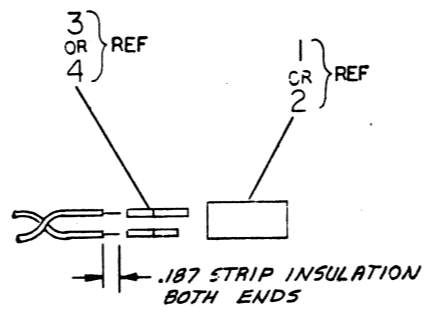
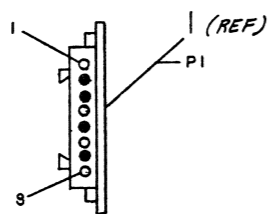
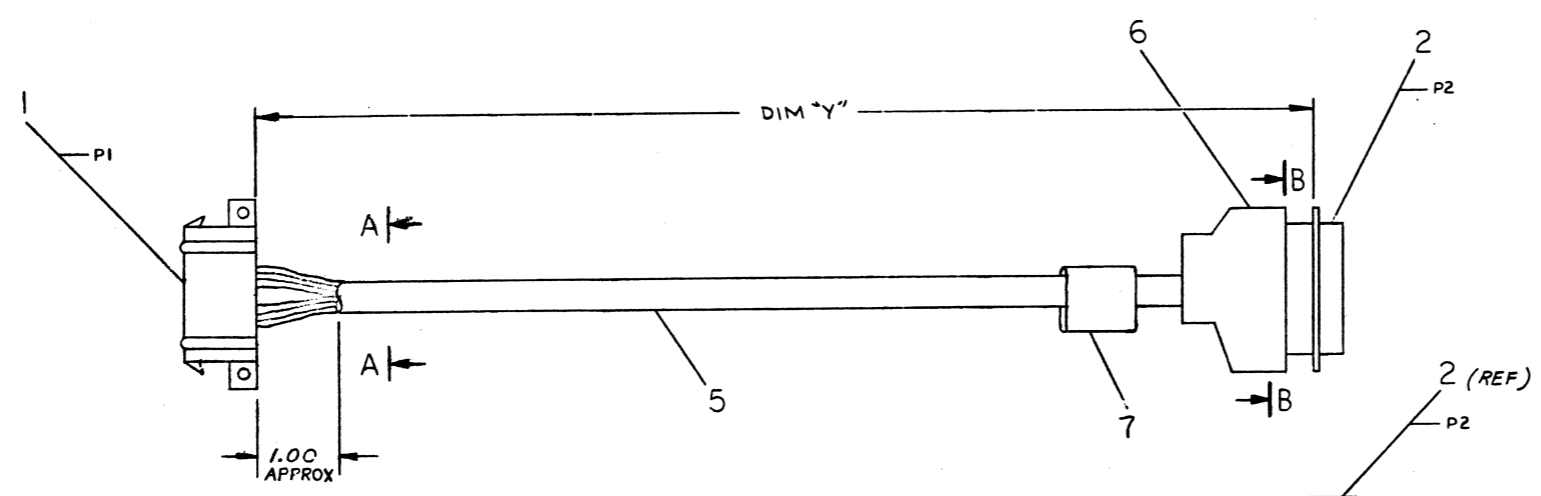
DOCUMENT NUMBER			
SIZE	CODE	NUMBER	REV.
D	IA	BC03M-0-0	F
SCALE NONE		SHEET 2 OF 2	

8 7 6 5 4 3 2 1 MK 1

THIS DRAWING AND SPECIFICATIONS, HEREIN, ARE THE PROPERTY OF THE COMPANY AND SHALL REMAIN THE PROPERTY OF THE COMPANY WHETHER OR NOT THE SAME ARE USED IN CONNECTION WITH THE SALE OF EQUIPMENT OR MATERIALS THEREON. © 1973 CENTRAL EQUIPMENT CORPORATION

WIRE TABLE						
ITEM NO.	DESCRIPTION	FROM		TO		REMARKS
		CONN.	WITH	CONN.	WITH	
5	22 BLK	P1-2	ITEM 3	P2-11	ITEM 4	
5	22 RED	P1-3	ITEM 3	P2-12	ITEM 4	
5	22 WHT	P1-5	ITEM 3	P2-15	ITEM 4	
5	22 GRN	P1-7	ITEM 3	P2-17	ITEM 4	

LEGEND		
PART NO.	VARIATION	REMARKS
BC44C-01	12.00 IN ± 1 IN	



DESCRIPTION	DWG/PART NO.	ITEM NO.
1 LABEL, CABLE I.D.	3616073-00	7
1 CONN JUNCTION SHELL	1210493-50	6
4/1R CABLE #22AWG (4 COND)	9107706-00	5
4 CONTACT, SOCKET CRIMP	1210493-41	4
4 MIN/L PIN, SOCKET 30-22AWG	1209379-03	3
1 CONN RECPT 25 SOCKET	1210493-32	2
1 MAT-N-LOCK, 8 PIN, HOUSING, SKT	1209340-00	1

THIRD ANGLE PROJECTION		DRN. <i>[Signature]</i> 11/27/78	FIRST USED ON	11/44 digital
REMOVE BLURS AND BREAK SHARP CORNERS		CHK'D <i>[Signature]</i> 11/27/78	TITLE	
DO NOT SCALE DWG		ENG. <i>[Signature]</i> 11/27/78	CABLE ADAPTER ASSEMBLY (TO 20MA)	
MATERIAL SEE PARTS LIST		PROJ. ENG. <i>[Signature]</i> 11/27/78	SIZE	CODE
FINISH		PROD. <i>[Signature]</i> 11/27/78	SCALE	1/1
		NEXT HIGHER ASSY.	NUMBER	D IA BC44C-0-0
			REV.	A
		SHEET 1 OF 1	DIST.	

REV.	CHG. NO.	DATE	BY	APP.
1	A	11/27/78	S. HOYLE	[Signature]

PART NO. BC44C-0-0

REV	REV	DATE	BY
1	A		
2	A		
3	A		
4	A		
5	A		
6	A		
7	A		
8	A		
9	A		
10	A		
11	A		
12	A		
13	A		
14	A		
15	A		
16	A		
17	A		
18	A		
19	A		
20	A		

REV	REV	DATE	BY
1	A		
2	A		
3	A		
4	A		
5	A		
6	A		
7	A		
8	A		
9	A		
10	A		
11	A		
12	A		
13	A		
14	A		
15	A		
16	A		
17	A		
18	A		
19	A		
20	A		

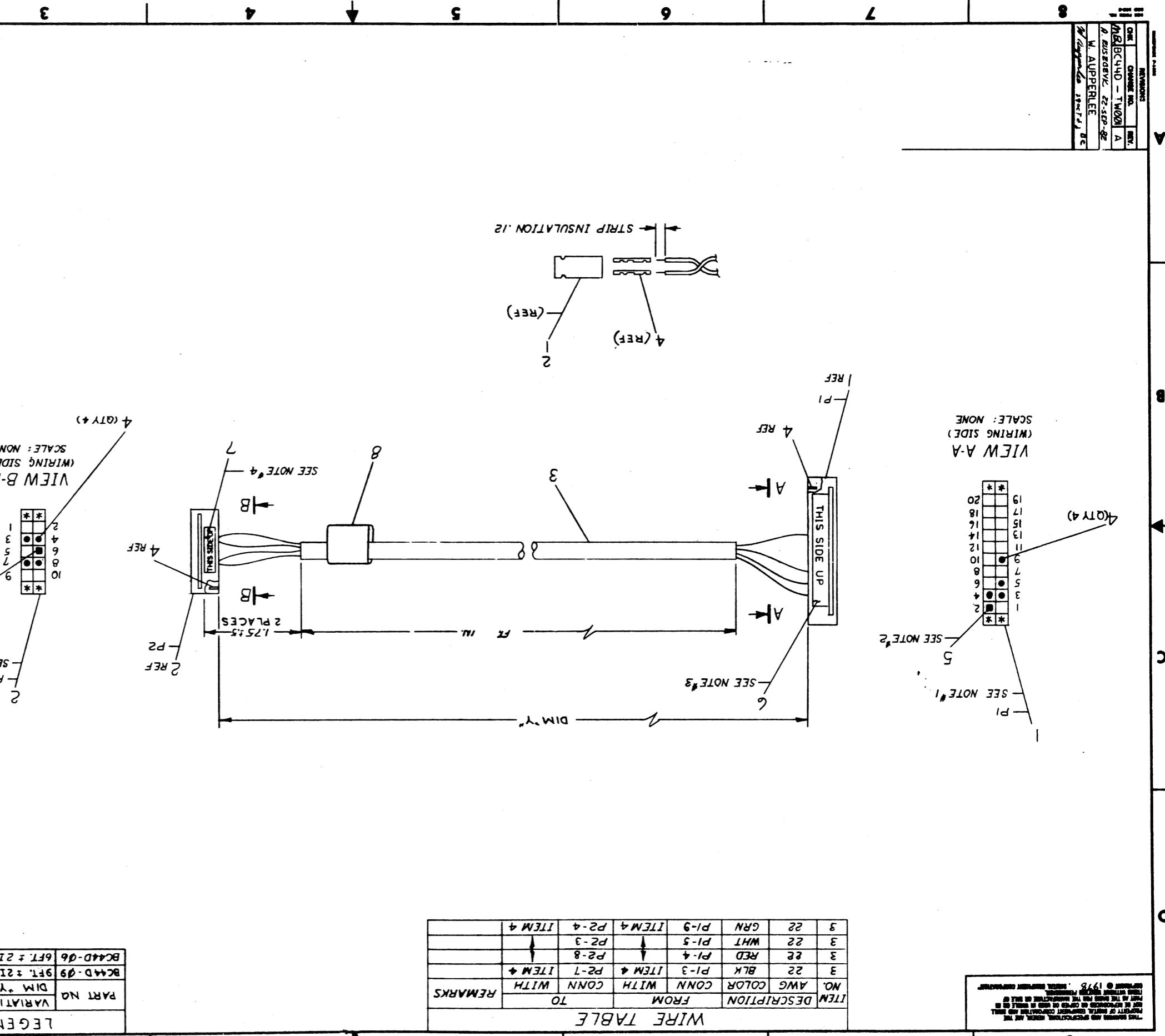
ITEM NO.	DESCRIPTION	QTY
1	1 LABEL (THIS SIDE UP) 1.0 X .25	3611567-01
2	2 KEY, DUMMNY, POLAR	9009140-00
3	3 CABLE 22 AWG (4 COND)	9101706-00
4	4 SOCKET CRIMP CONTACT	1210089-07
5	5 TERM. HSG (24 POS)	1210918-25
6	6 LABEL (THIS SIDE UP) .50 X .25	3611567-02
7	7 LABEL (THIS SIDE UP) 1.0 X .25	3611567-01
8	8 LABEL, CABLE I.D.	3616073-00

ITEM NO.	DESCRIPTION	QTY
1	1 TERM. HSG (24 POS)	1210918-25
2	2 LABEL (THIS SIDE UP) 1.0 X .25	3611567-01
3	3 CABLE 22 AWG (4 COND)	9101706-00
4	4 SOCKET CRIMP CONTACT	1210089-07
5	5 KEY, DUMMNY, POLAR	9009140-00
6	6 LABEL (THIS SIDE UP) .50 X .25	3611567-02
7	7 LABEL (THIS SIDE UP) 1.0 X .25	3611567-01
8	8 LABEL, CABLE I.D.	3616073-00

ITEM NO.	DESCRIPTION	QTY
1	1 LABEL (THIS SIDE UP) 1.0 X .25	3611567-01
2	2 KEY, DUMMNY, POLAR	9009140-00
3	3 CABLE 22 AWG (4 COND)	9101706-00
4	4 SOCKET CRIMP CONTACT	1210089-07
5	5 TERM. HSG (24 POS)	1210918-25
6	6 LABEL (THIS SIDE UP) .50 X .25	3611567-02
7	7 LABEL (THIS SIDE UP) 1.0 X .25	3611567-01
8	8 LABEL, CABLE I.D.	3616073-00

ITEM NO.	DESCRIPTION	QTY
1	1 LABEL (THIS SIDE UP) 1.0 X .25	3611567-01
2	2 KEY, DUMMNY, POLAR	9009140-00
3	3 CABLE 22 AWG (4 COND)	9101706-00
4	4 SOCKET CRIMP CONTACT	1210089-07
5	5 TERM. HSG (24 POS)	1210918-25
6	6 LABEL (THIS SIDE UP) .50 X .25	3611567-02
7	7 LABEL (THIS SIDE UP) 1.0 X .25	3611567-01
8	8 LABEL, CABLE I.D.	3616073-00

ITEM NO.	DESCRIPTION	QTY
1	1 LABEL (THIS SIDE UP) 1.0 X .25	3611567-01
2	2 KEY, DUMMNY, POLAR	9009140-00
3	3 CABLE 22 AWG (4 COND)	9101706-00
4	4 SOCKET CRIMP CONTACT	1210089-07
5	5 TERM. HSG (24 POS)	1210918-25
6	6 LABEL (THIS SIDE UP) .50 X .25	3611567-02
7	7 LABEL (THIS SIDE UP) 1.0 X .25	3611567-01
8	8 LABEL, CABLE I.D.	3616073-00



ITEM NO.	DESCRIPTION	FROM	TO	REMARKS
3	GRN	P1-9	ITEM 4 P2-4	
3	WHT	P1-5	P2-3	
3	RED	P1-4	P2-8	
3	BLK	P1-3	ITEM 4 P2-7	

NOTES:
 1. LOCATIONS MARKED (*) IN VIEWS A-A AND B-B ARE NOT TO BE USED.
 2. CONNS P1-2 AND P2-6 (ITEMS 1 AND 2) SHALL HAVE ONE KEY (ITEM 5) INSERTED AS SHOWN.
 3. PLACE LABEL (ITEM #6) ON P1 CONNECTOR (ITEM #1) AS SHOWN.
 4. PLACE LABEL (ITEM #7) ON P2 CONNECTOR (ITEM #2) AS SHOWN.

PART NO	VARIATION	REMARKS
BC44D-06	9FT. ± 2IN.	
BC44D-09	9FT. ± 2IN.	
BC44D-06	6FT. ± 2IN.	

VIEW	SCALE
VIEW B-B (WIRING SIDE)	SCALE: NONE
VIEW A-A (WIRING SIDE)	SCALE: NONE

ITEM NO.	DESCRIPTION	FROM	TO	REMARKS
3	GRN	P1-9	ITEM 4 P2-4	
3	WHT	P1-5	P2-3	
3	RED	P1-4	P2-8	
3	BLK	P1-3	ITEM 4 P2-7	

ITEM NO.	DESCRIPTION	FROM	TO	REMARKS
3	GRN	P1-9	ITEM 4 P2-4	
3	WHT	P1-5	P2-3	
3	RED	P1-4	P2-8	
3	BLK	P1-3	ITEM 4 P2-7	

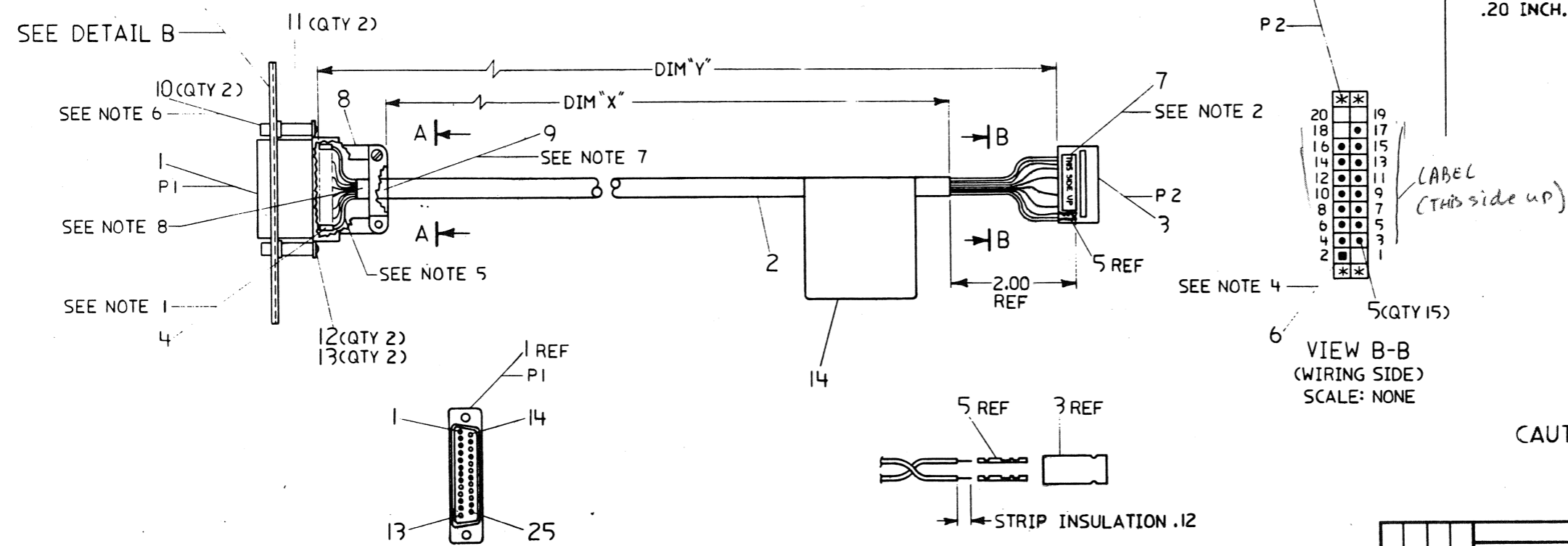
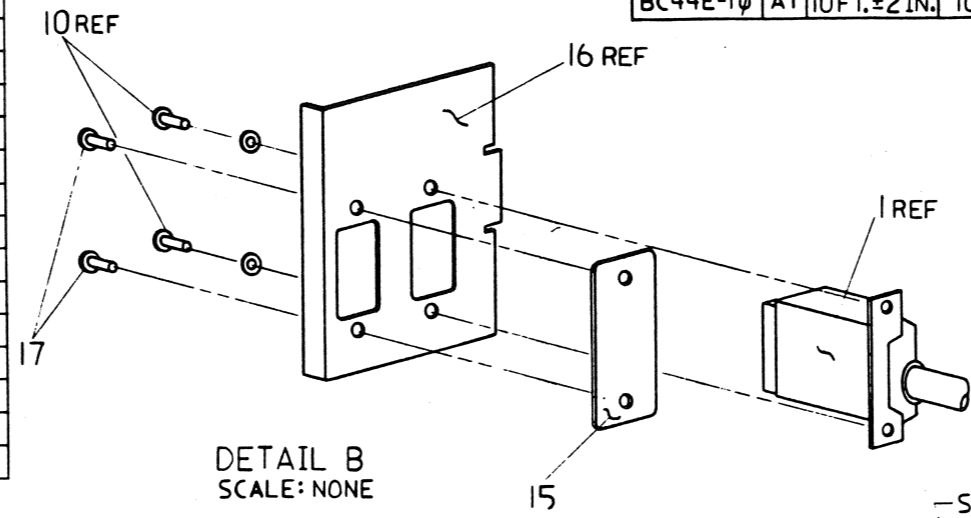
THIS DRAWING AND SPECIFICATIONS HEREBY ARE THE PROPERTY OF BENTLEY SYSTEMS CORPORATION AND SHALL NOT BE REPRODUCED OR TRANSMITTED IN ANY FORM OR BY ANY MEANS, ELECTRONIC OR MECHANICAL, INCLUDING PHOTOCOPYING, RECORDING, OR BY ANY INFORMATION STORAGE AND RETRIEVAL SYSTEM. © 1978. BENTLEY SYSTEMS CORPORATION.

THIS DRAWING AND SPECIFICATIONS HEREIN ARE THE PROPERTY OF DIGITAL EQUIPMENT CORPORATION AND SHALL NOT BE REPRODUCED OR COPIED OR USED IN WHOLE OR IN PART AS THE BASIS FOR THE MANUFACTURE OR SALE OF ITEMS WITHOUT WRITTEN PERMISSION. COPYRIGHT © 1983 DIGITAL EQUIPMENT CORPORATION

WIRE TABLE						
ITEM NO.	DESCRIPTION	FROM	TO			
	AWG	COLOR	CONN.	WITH	CONN.	WITH
2	22	BLU	PI-1	SOLDER	P2-3	5
↑	↑	WHT/BLK	PI-2	↑	P2-4	↑
		RED/BLK	PI-3		P2-5	
		GRN/BLK	PI-4		P2-6	
		BLK	PI-5		P2-7	
		WHT	PI-6		P2-8	
		ORN/BLK	PI-7		P2-9	
		BLU/BLK	PI-8		P2-10	
		BLK/WHT	PI-11		P2-11	
		RED/WHT	PI-12		P2-12	
		ORN	PI-15		P2-13	
		GRN	PI-17		P2-14	
		RED	PI-20		P2-15	
↓	↓	BLU/WHT	PI-24	↓	P2-16	↓
2	22	GRN/WHT	PI-25	SOLDER	P2-17	5

LEGEND		
PART NO.	REV	VARIATION
		DIM "X"
BC44E-10	A1	10FT. ±2IN. 10FT. 5IN.

- NOTES:
- EACH SOLDERED CONTACT ON (PI) SHALL BE INSULATED WITH A .25 IN. PIECE OF SHRINK TUBING (ITEM #4).
 - PLACE LABEL (ITEM #7) AS SHOWN ON CONN. (ITEM #3).
 - PINS MARKED (*) IN VIEW B-B ARE NOT TO BE USED.
 - CONN P2-2 (ITEM #3) SHALL HAVE ONE KEY (ITEM #6) INSERTED AS SHOWN.
 - WIRES COMING FROM CENTER OF PLUG CONN SHOULD BE FANNED OUT INTO HOOD SO THAT THEY ARE NOT BUNCHED.
 - PLACE LOCKWASHER (SUPPLIED WITH ITEM #10) BETWEEN SPACER AND CONNECTOR FLANGE DISCARD NUT (QTY 2) SUPPLIED WITH ITEM #10.
 - FOR STRAIN RELIEF WRAP 2 TURNS OF TAPE (ITEM #9) AROUND CABLE (ITEM #2) AS SHOWN.
 - CABLE JACKET INSULATION (ITEM #2) SHOULD EXTEND BEYOND STRAIN RELIEF CLAMP (ITEM #8) A MIN. OF .20 INCH.



CAUTION: OFF SHEET PARTS LIST EXISTS
SEE K-PL-BC44E-0-DBP.
Z7208

REVISION HISTORY	REV	A
ECO NUMBER		
DATE		
INITIAL		

FIRST HIGHER ASSY
E-UA-11/44-0-0

DESCRIPTION	DRAWING NO.	PART NO.	ITEM NO.
UNLESS OTHERWISE SPECIFIED DIMENSIONS ARE IN INCHES AND THE FOLLOWING TOLERANCES APPLY (PER DEC STD 114)			
INCHES TOLERANCES	ANGLES ±0°30'	APPLICABLE DIMENSION RANGE	
		OVER	OVER
X = ±.1 Y = ±.05 Z = ±.02	SURFACE QUALITY	TO	TO
		TO	TO
X = ±.1 Y = ±.05 Z = ±.02	SURFACE QUALITY	TO	TO
		TO	TO
QUANTITY & VARIATION	THIRD ANGLE PROJECTION	DATE	TITLE
DO NOT SCALE DRAWING	DATE	6/8/83	digital
REMOVE BURRS AND BREAK SHARP CORNERS	DATE	16JUN83	FILTERED CABLE ASSY
MATERIAL SEE K-PL-BC44E-0-DBP	DATE	16JUN83	DOCUMENT NUMBER
FINISH	DATE	16JUN83	DIA BC44E-0-0
	DATE	16JUN83	REV A
	DATE	16JUN83	SCALE 1/1