

NOTES:

REF DESIGNATIONS NOT USED ARE R37,R52, R83,R108,AND R111.

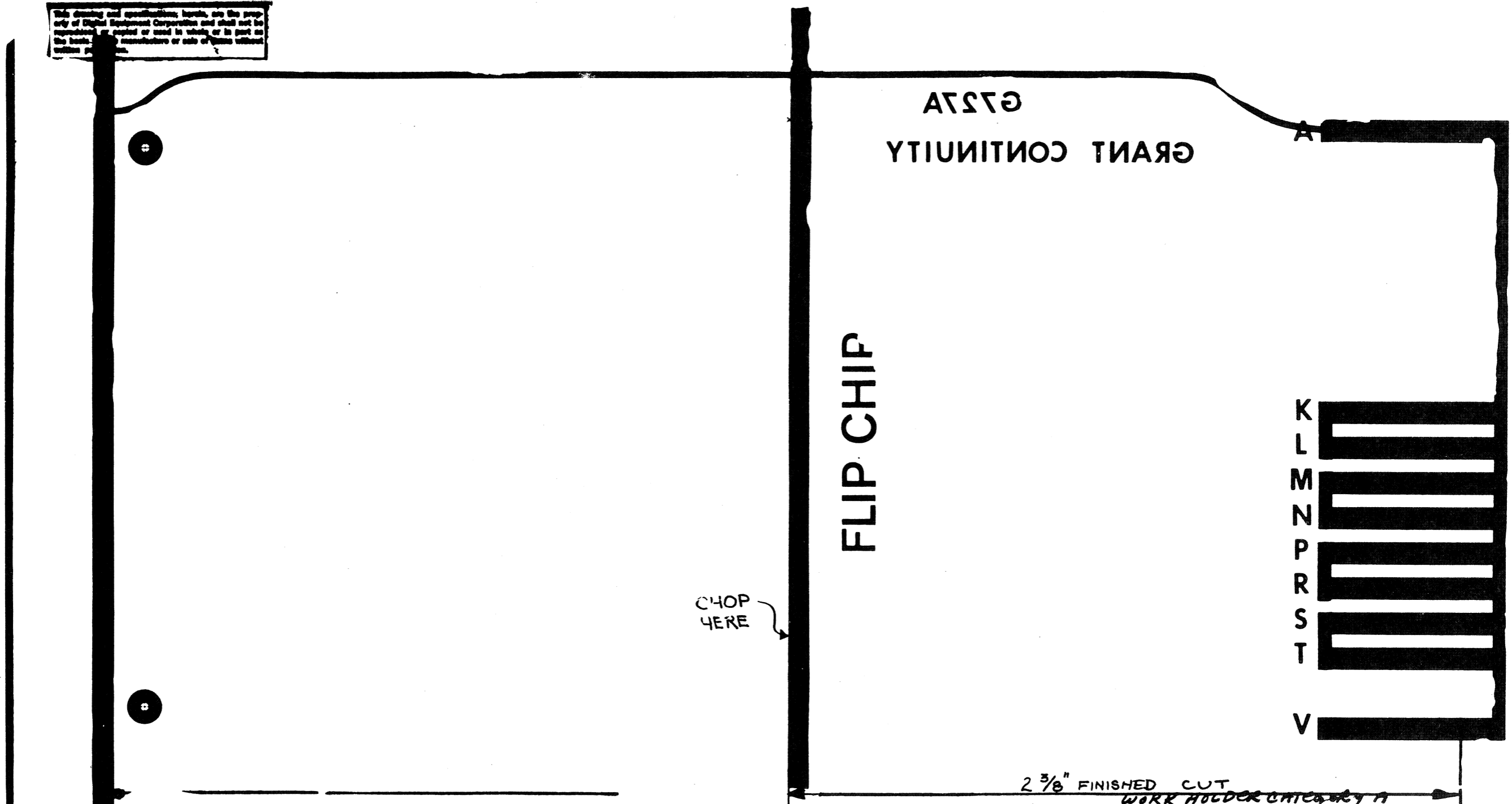
DRILLING DATA				
HOLE LETTER	DRILL SIZES		CAN TAKE GRIPLETS YES NO	QTY OF HOLES
	FOR PTH BOARDS	FOR NON-PTH BOARDS		
NONE	*56	(.0465DIA) ✓		

BOARD FABRICATION INFORMATION

BOARD SIZE 8540 X 11750
 DMD 7605819-0-0
 BOARD MATERIAL 052 THK
 1 OZ COPPER 2 SIDES
 EYELET PLATED THRU
 2 SIDED MULTI-LAYER
 NOTCH BEFORE GOLD PLATING
 NOTCH AFTER GOLD PLATING

DRN	DATE	digital EQUIPMENT CORPORATION MAYNARD MASSACHUSETTS
CHK'D	DATE	
ENG	DATE	TITLE
PROJ. ENG.	DATE	UNIBUS TERM
PROD.	DATE	
FIRST USED ON	NUMBER	REV.
M9302	D/AH M9302-0-5	D
SCALE 2/1	BATCH REV B TW MS 60567	

This drawing and specifications, herein, are the property of Digital Equipment Corporation and shall not be reproduced, copied or used in whole or in part as the basis for any manufacture or sale of items without written permission.



CHOP
HERE

2 3/8" FINISHED CUT
WORK HOLDER CATEGORY A
PR# 7818

UNLESS OTHERWISE INDICATED
RESISTORS ARE _____
CAPACITORS ARE _____
DIODES ARE _____
TRANSISTORS ARE _____

BOARD FABRICATION NFO
BOARD SIZE NON STD. (2 3/8") STOCK CODE# 2230
BOARD MAT'L .055 THK.; 2oz COPPER CLAD
PLATED THRU EYELET SINGLE SIDED
HOLES BEFORE PLATING _____
UNMARKED HOLES ARE _____
HOLES ARE _____ PLACES _____
HOLES ARE _____ PLACES _____
HOLES ARE _____ PLACES _____
NOTCH BEFORE G.P. NOTCH AFTER G.P.

QTY.	DESCRIPTION	PART NO.	ITEM NO.
PARTS LIST			
DRN S. PATTERSON	DATE 11-6-69	digital EQUIPMENT CORPORATION MAYNARD, MASSACHUSETTS	
CHK'D V. Nakamaki	DATE 12-16-69		
ENG P.E. Jensen	DATE 1/28/70	TITLE ASSY/DRILLING HOLE LAYOUT	
PROL ENG P.E. Jensen	DATE 1/28/70		
PROD. S. Patterson	DATE 3/9/70	SIZE/CODE C AH G727-0-5	
FIRST USED ON G727			
SCALE		NUMBER REV.	
SHEET OF	DIST. B44/284		

2. PINK DW

REVISIONS	
CHK	CHG NO. REV

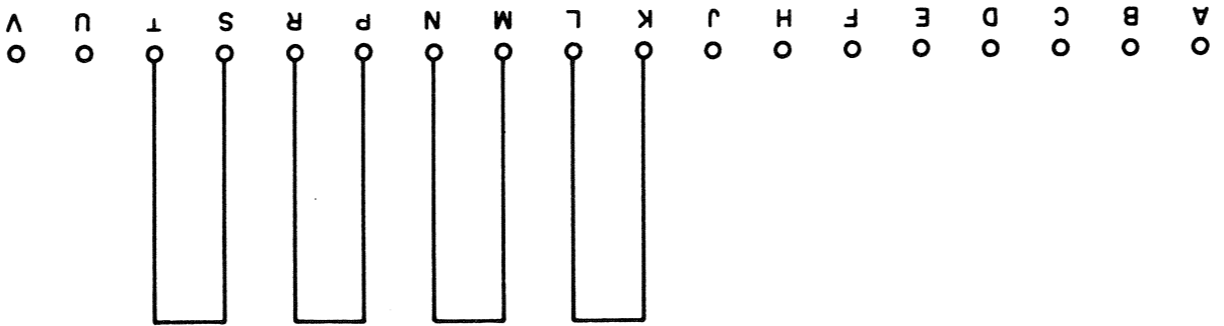
DRN.	DATE	11-19-69
BUTLER	DATE	6-12-70
CHK'D.	DATE	6-12-70
ENG.	DATE	1/28/70
PROD.	DATE	

DEC	EIA	
DEC	EIA	
DEC	EIA	
DEC	EIA	

digital
EQUIPMENT CORPORATION
MAYNARD, MASSACHUSETTS

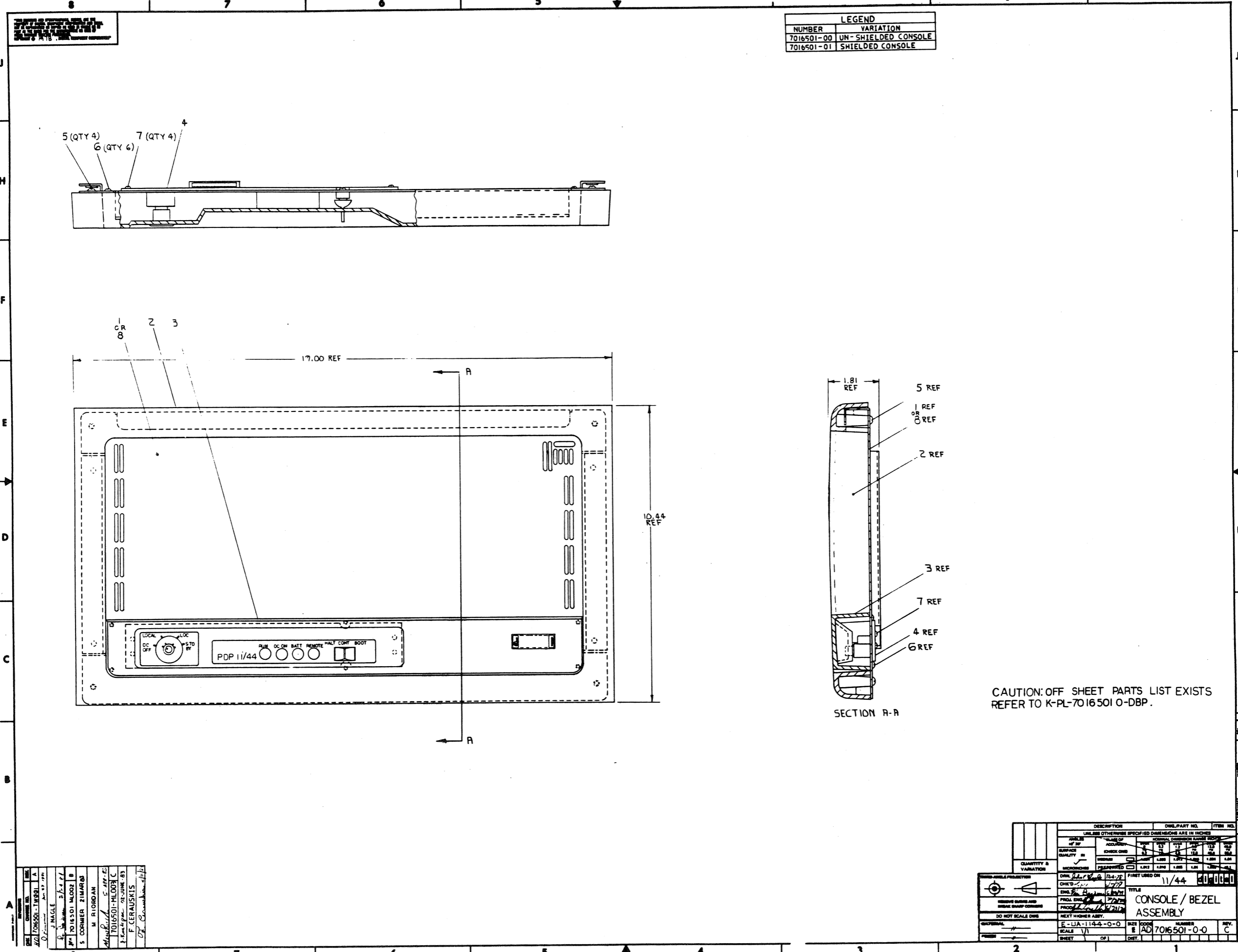
TITLE	GRANT CONTINUITY G727
SIZE	B
CODE	CS
NUMBER	6727-0-1
REV.	A

DIST. 324,434,435 3 TW



THIS SCHEMATIC IS FURNISHED ONLY FOR TEST AND MAINTENANCE PURPOSES. THE CIRCUITS ARE PROPRIETARY IN NATURE AND SHOULD BE TREATED ACCORDINGLY. COPYRIGHT 1969 BY DIGITAL EQUIPMENT CORPORATION

SIZE	CODE	NUMBER	REV.
B	CS	6727-0-1	



LEGEND	
NUMBER	VARIATION
7016501-00	UN-SHIELDED CONSOLE
7016501-01	SHIELDED CONSOLE

CAUTION: OFF SHEET PARTS LIST EXISTS REFER TO K-PL-7016501 0-DBP.

7016501-00	UN-SHIELDED CONSOLE
7016501-01	SHIELDED CONSOLE
7016501-02	CONSOLE WITH SHIELD
7016501-03	CONSOLE WITH SHIELD AND KEYS
7016501-04	CONSOLE WITH SHIELD AND KEYS AND SWITCHES
7016501-05	CONSOLE WITH SHIELD AND KEYS AND SWITCHES AND DISPLAY
7016501-06	CONSOLE WITH SHIELD AND KEYS AND SWITCHES AND DISPLAY AND KEYS
7016501-07	CONSOLE WITH SHIELD AND KEYS AND SWITCHES AND DISPLAY AND KEYS AND SWITCHES
7016501-08	CONSOLE WITH SHIELD AND KEYS AND SWITCHES AND DISPLAY AND KEYS AND SWITCHES AND KEYS
7016501-09	CONSOLE WITH SHIELD AND KEYS AND SWITCHES AND DISPLAY AND KEYS AND SWITCHES AND KEYS AND SWITCHES
7016501-10	CONSOLE WITH SHIELD AND KEYS AND SWITCHES AND DISPLAY AND KEYS AND SWITCHES AND KEYS AND SWITCHES AND KEYS

DESCRIPTION	DWG/PART NO.	ITER NO.
UNLESS OTHERWISE SPECIFIED DIMENSIONS ARE IN INCHES		
DATE: 11/44		
SCALE: 1/16"		
QUANTITY & VARIATION		
DO NOT SCALE DIMS		
REVISIONS		
APPROVED		
DATE		
BY		
CHECKED		
ENGR		
PROJ ENGR		
PROJECT		
DO NOT SCALE DIMS		
DESCRIPTION	CONSOLE / BEZEL ASSEMBLY	
SCALE	1/16"	
SHEET	1	1

FINISH
 SEE PARTS LIST
 MATERIAL
 E-VA-11A4-0-0
 SCALE 2/1
 SHEET 1 OF 1
 DIST. C IA 7422428-0-0
 SIZE CODE
 REV. *

DO NOT SCALE DWG
 REMOVE BURRS AND
 BREAK SHARP CORNERS
 THIRD ANGLE PROJECTION

DRN. R. Burkhardt
 1 DEC 78
 CHKD. J.F. [unclear]
 MAR 27 79
 ENG. R. [unclear]
 6/15/79
 PROJ. ENG. [unclear]
 PROD. [unclear]
 NEXT HIGHER ASSY.

TITLE
 CONNECTOR,
 LOOP BACK

FIRST USED ON
 11/44
 Digital

UNLESS OTHERWISE SPECIFIED DIMENSIONS ARE IN INCHES

ANGLES	CLASS OF ACCURACY	SURFACE IN	QUALITY IN	MICROFINISHES
±.012	0 TO 0.2	0 TO 1.2	0 TO 1.2	PREFERRED
±.018	0.2 TO 1.0	1.2 TO 4.0	1.2 TO 4.0	MEDIUM
±.025	1.0 TO 4.0	4.0 TO 12.0	4.0 TO 12.0	±.004
±.04	4.0 TO 80.0	12.0 TO 80.0	12.0 TO 80.0	±.008
±.04	80.0 TO 100.0	80.0 TO 100.0	80.0 TO 100.0	±.012
±.04	100.0 TO 1000.0	100.0 TO 1000.0	100.0 TO 1000.0	±.018
±.04	1000.0 TO 10000.0	1000.0 TO 10000.0	1000.0 TO 10000.0	±.025
±.04	10000.0 TO 100000.0	10000.0 TO 100000.0	10000.0 TO 100000.0	±.04
±.04	100000.0 TO 1000000.0	100000.0 TO 1000000.0	100000.0 TO 1000000.0	±.08
±.04	1000000.0 TO 10000000.0	1000000.0 TO 10000000.0	1000000.0 TO 10000000.0	±.12
±.04	10000000.0 TO 100000000.0	10000000.0 TO 100000000.0	10000000.0 TO 100000000.0	±.25
±.04	100000000.0 TO 1000000000.0	100000000.0 TO 1000000000.0	100000000.0 TO 1000000000.0	±.50
±.04	1000000000.0 TO 10000000000.0	1000000000.0 TO 10000000000.0	1000000000.0 TO 10000000000.0	±.100

ITEM NO.	DWG/PART NO.	DESCRIPTION
1	1210918-25	TERM. 24 POS. HOUSING
4	1210089-07	SOCKET, CRIMP TYP REEL
3	9009140-00	CONN. PIN (DUMMY), KEY
4	3611567-01	LABEL (THIS SIDE UP) 1.0x.25
5	9107350-00	WIRE, 22AWG, STRDUL1429

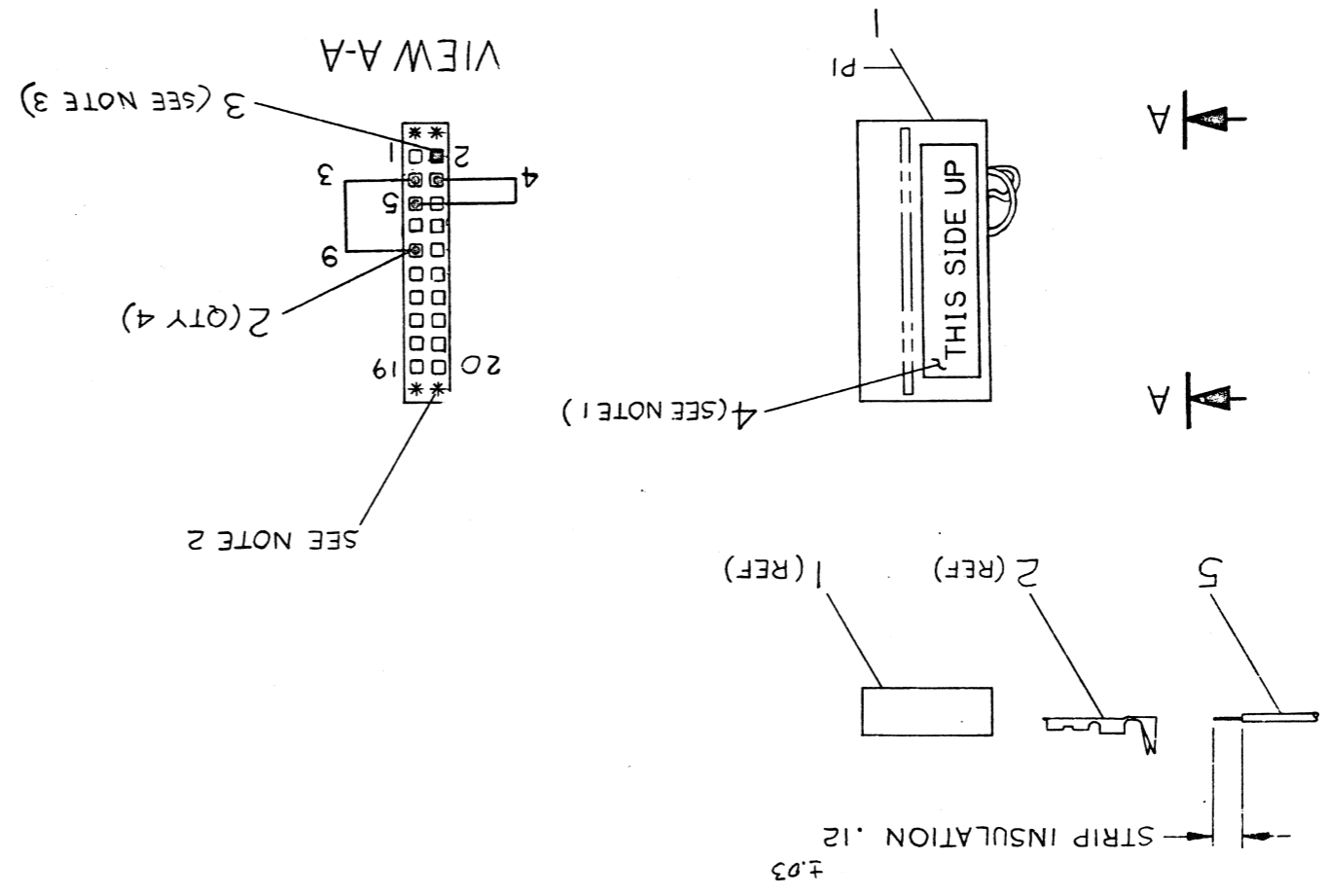
UNLESS OTHERWISE SPECIFIED DIMENSIONS ARE IN INCHES

NOTES:

- PLACE LABEL (ITEM 4) ON CONNECTOR (ITEM 1) APPROX. AS SHOWN.
- POSITIONS MARKED "*" ASTERIX IN VIEW A-A ARE NOT TO BE USED.
- CONNECTOR (ITEM 1) SHALL HAVE ONE KEY (ITEM 3) INSERTED IN POSITION 2 AS SHOWN.

WIRE TABLE

ITEM NO.	DESCRIPTION	FROM	TO	REMARKS
3	KEY	PI-2	ITEM 3	SEE NOTE 3
5	BLK	PI-4	ITEM 2	3.0IN.±.06
5	BLK	PI-3	ITEM 2	3.0IN.±.06
	AVG COLOR	CONN.	WITH	



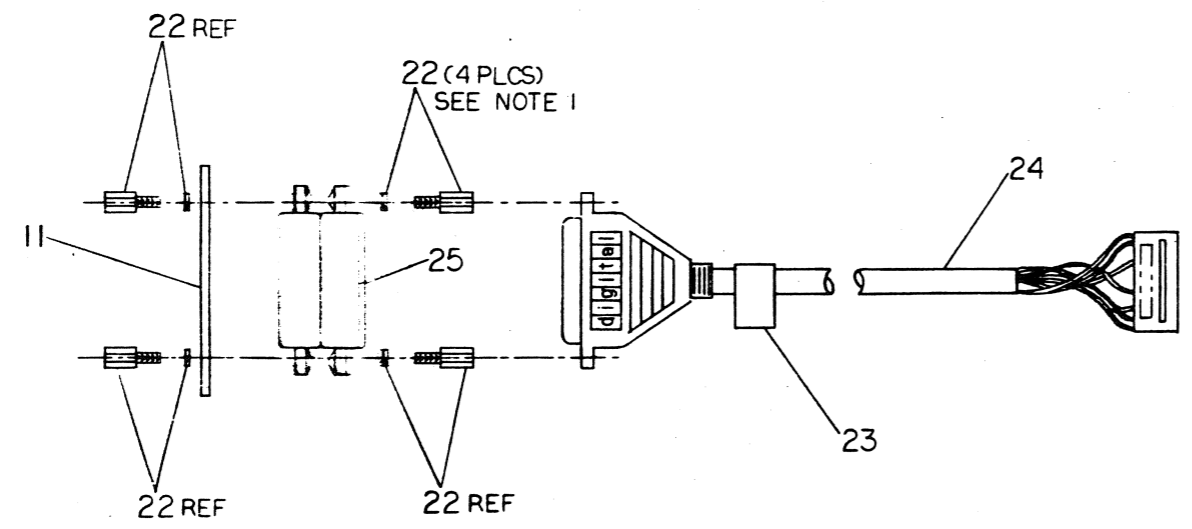
"THIS DRAWING AND SPECIFICATIONS, HEREIN, ARE THE PROPERTY OF DIGITAL EQUIPMENT CORPORATION AND SHALL NOT BE REPRODUCED OR COPIED IN WHOLE OR IN PART AS THE BASIS FOR THE MANUFACTURE OR SALE OF ITEMS WITHOUT WRITTEN PERMISSION. COPYRIGHT © 1979, DIGITAL EQUIPMENT CORPORATION"

DIA BC 44A-0-DBP

THIS DRAWING AND SPECIFICATIONS HEREIN ARE THE PROPERTY OF DIGITAL EQUIPMENT CORPORATION AND SHALL NOT BE REPRODUCED OR COPIED OR USED IN WHOLE OR IN PART AS THE BASIS FOR THE MANUFACTURE OR SALE OF ITEMS WITHOUT WRITTEN PERMISSION. 1983 DIGITAL EQUIPMENT CORPORATION

LEGEND	
PART NO.	VARIATION
BC44A-10	AS SHOWN

NOTES:
 1. USE LOCK WASHER AND STUD ASSY FROM KIT 9008451-01, THEN DISCARD REMAINING PARTS FROM KIT.



CAUTION: OFF SHEET PARTS LIST EXISTS SEE K-PL-BC44A-O-DBP.

DATE	REV	ECO NUMBER	BY	CHKD
	D	BC44A-ML004	GILGHER	
			DELLISON	

NEXT HIGHER ASSEMBLY
 E-UA-1144-0-0

DESCRIPTION	DRAWING NO	PART NO	REV NO
UNLESS OTHERWISE SPECIFIED DIMENSIONS ARE IN INCHES AND THE FOLLOWING TOLERANCES APPLY (PER DEC STD 114)			
INCHES TOLERANCES X ± .1 Y ± .02 Z ± .05	ANGLES ± 0° 30'	APPLICABLE DIMENSION RANGE	
		DIMENSION RANGE IN INCHES	
SURFACE QUALITY ✓ MICROINCHES	QUANTITY & VARIATION XXX ± .05	OVER 0 TO 0.2	OVER 0.2 TO 0.4
		OVER 0.4 TO 0.7	OVER 0.7 TO 1.2
THIRD ANGLE PROJECTION		DRN B. BLODGETT DATE 26 SEP 78	TITLE digital FILTERED CABLE ASSEMBLY
DO NOT SCALE DRAWING		CHKD J.F. SULLIVAN DATE 17 JAN 79	DOCUMENT NUMBER
REMOVE BURRS AND BREAK SHARP CORNERS		DES BNG R. ABBOTT DATE 29 JAN 79	DIA BC 44A-0-0 D
MATERIAL SEE K-PL-BC 44A-O-DBP		REP BNG R. ABBOTT DATE 22 JUN 79	SCALE NONE
FINISH NONE		WFO BNG J. COMELLA DATE 29 JUN 79	SHEET 1 OF 1