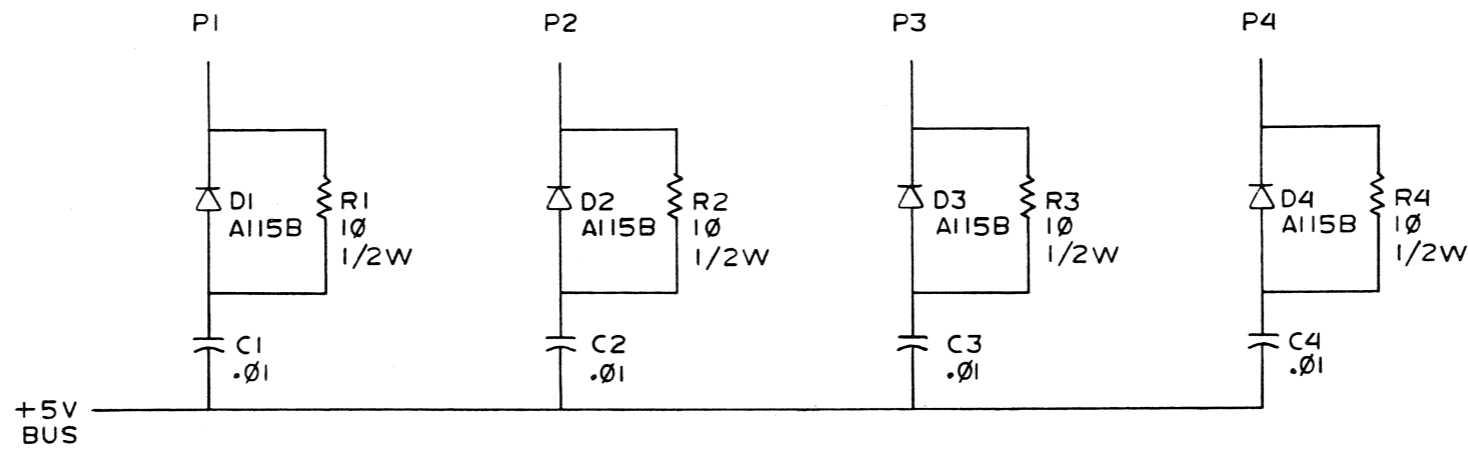


"THIS DRAWING AND SPECIFICATIONS, HEREIN, ARE THE PROPERTY OF DIGITAL EQUIPMENT CORPORATION AND SHALL NOT BE REPRODUCED OR COPIED OR USED IN WHOLE OR IN PART AS THE BASIS FOR THE MANUFACTURE OR SALE OF ITEMS WITHOUT WRITTEN PERMISSION. COPYRIGHT © 1978 DIGITAL EQUIPMENT CORPORATION"

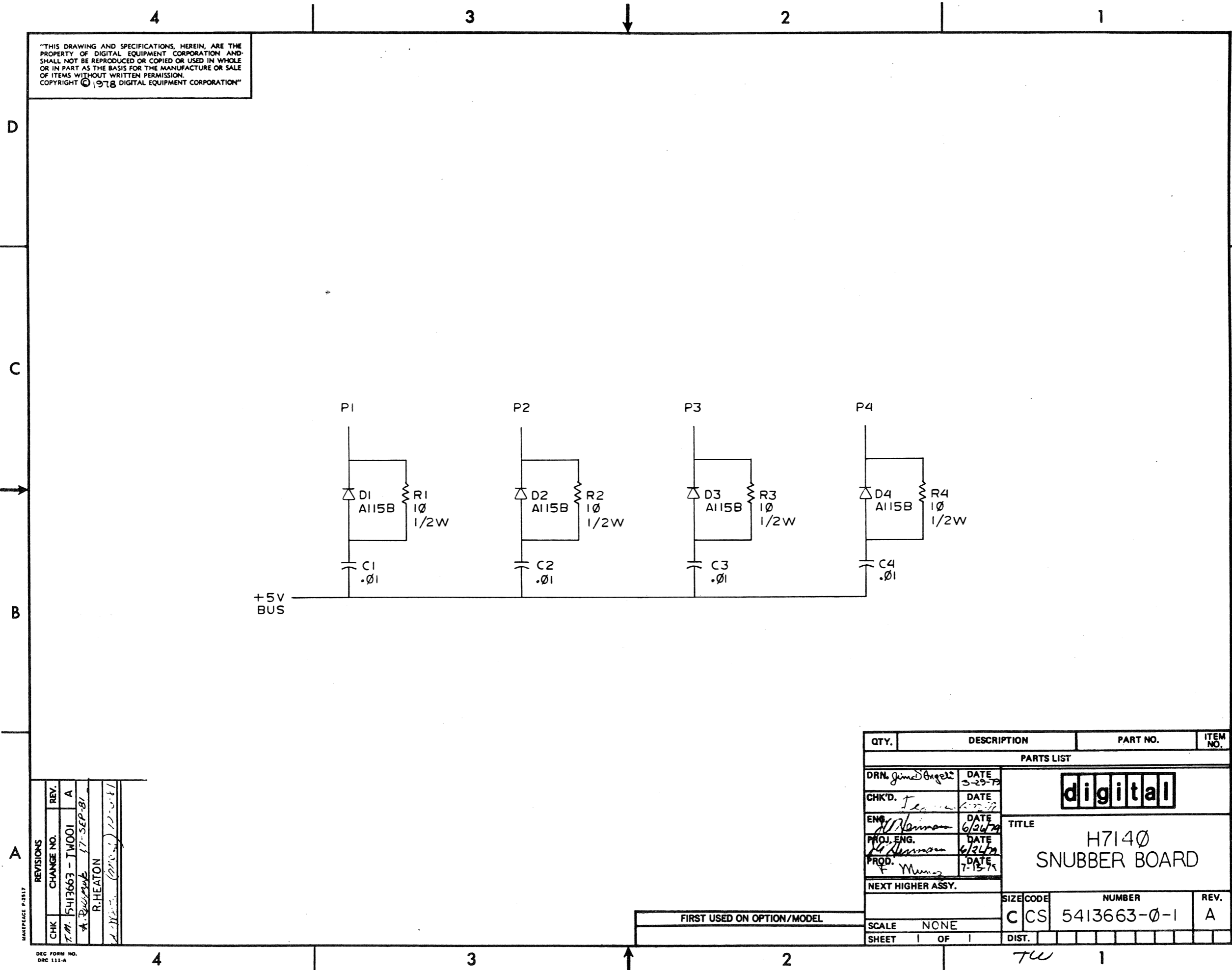


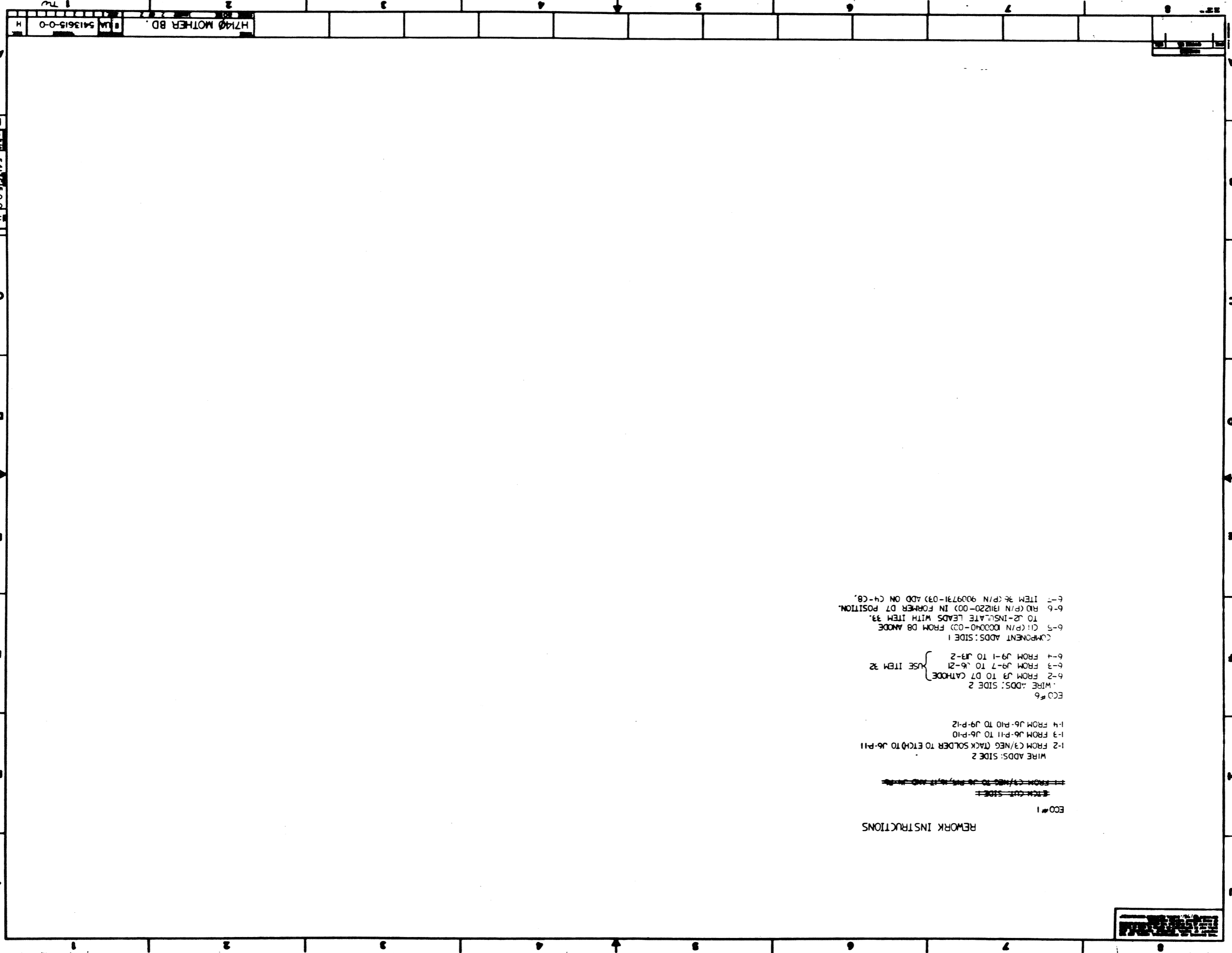
REV.	CHANGE NO.	DATE	BY
A	1	17-SEP-81	R. HEATON

REVISIONS
 CHK T.M. 5413663 - TMOOI
 A. Ruggie 17-SEP-81
 R. HEATON (DRG) 12-0-81

QTY.	DESCRIPTION	PART NO.	ITEM NO.
PARTS LIST			
DRN. <i>James Angel</i>	DATE 5-29-79	<div style="border: 2px solid black; padding: 5px; font-weight: bold; font-size: 1.2em;">digital</div> TITLE H7140 SNUBBER BOARD	
CHK'D. <i>J. ...</i>	DATE 6-22-79		
ENG. <i>H. ...</i>	DATE 6/24/79		
PROJ. ENG. <i>H. ...</i>	DATE 6/24/79		
PROD. <i>F. ...</i>	DATE 7-15-79		
NEXT HIGHER ASSY.		SIZE CODE	NUMBER
FIRST USED ON OPTION/MODEL		C CS	5413663-0-1
SCALE NONE			REV. A
SHEET 1 OF 1		DIST.	

REV. A
 NUMBER 5413663-0-1
 SIZE CODE C CS





H 5413615-0-0 H7140 MOTHER BD.

H 5413615-0-0 H

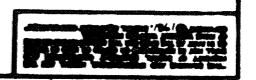
COMPONENT ADDS: SIDE 1
 6-5 C1: (P/N 100040-00) FROM DB ANODE TO J2-INSULATE LEADS WITH ITEM 33.
 6-6 R10 (P/N 131220-00) IN FORMER D7 POSITION.
 6-7 ITEM 36 (P/N 9009731-03) ADD ON C4-C8.

WIRE ADDS: SIDE 2
 6-2 FROM J9 TO D7 CATHODE } USE ITEM 32
 6-3 FROM J9-7 TO J6-21
 6-4 FROM J9-1 TO J3-2

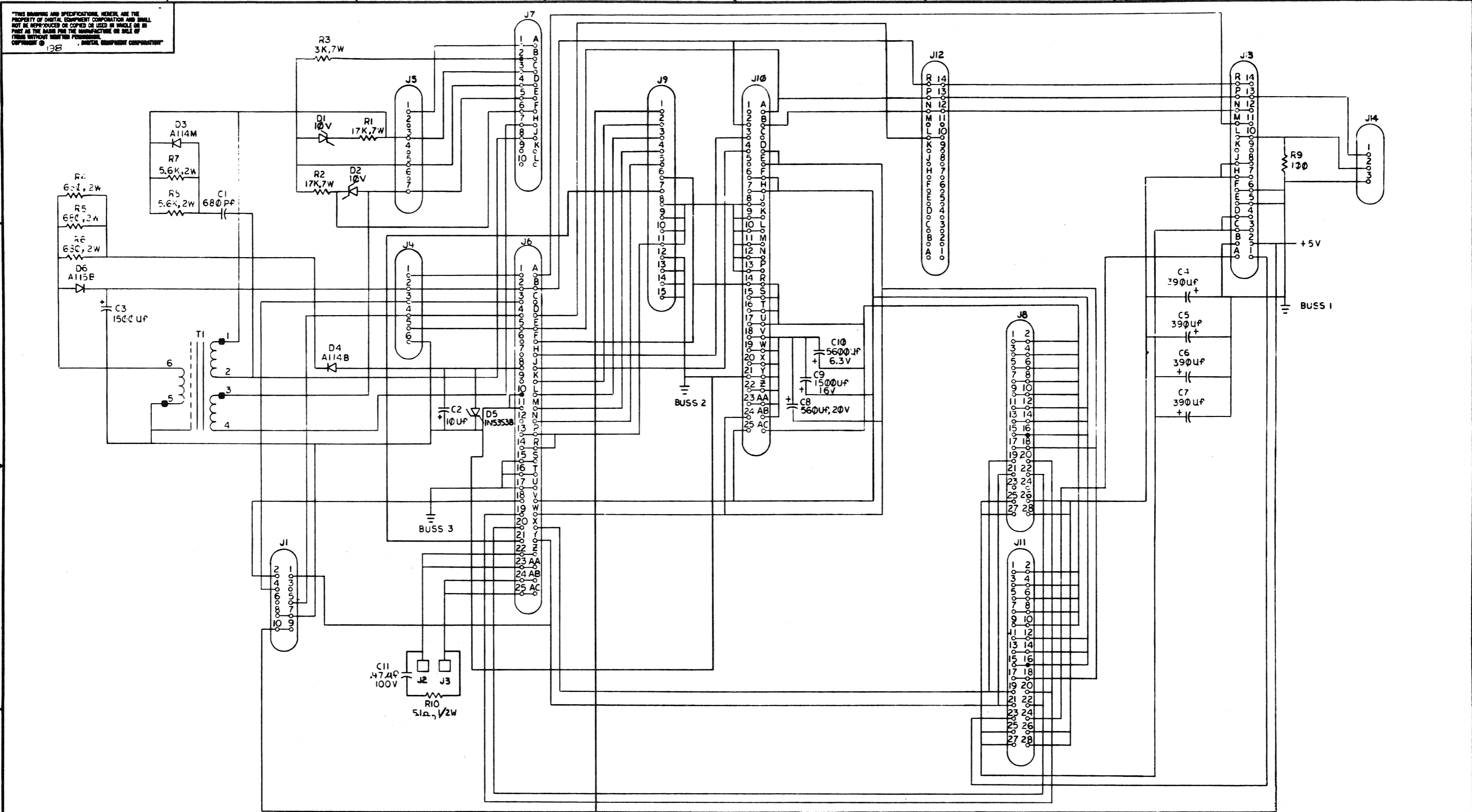
ECO # 6
 WIRE ADDS: SIDE 2
 1-2 FROM C3/NEG (TACK SOLDER TO ETCH) TO J6-P11
 1-3 FROM J6-P11 TO J6-P10
 1-4 FROM J6-P10 TO J9-P12

ECO # 1
~~WIRE ADDS: SIDE 1~~
~~FROM C1/NEG TO J6-P11 AND J6-P12~~

REWORK INSTRUCTIONS



THIS DRAWING AND SPECIFICATIONS HEREBY ARE THE PROPERTY OF DIGITAL EQUIPMENT CORPORATION AND SHALL NOT BE REPRODUCED OR COPIED OR USED IN WHOLE OR IN PART AS THE BASIS FOR THE MANUFACTURE OR SALE OF ITEMS WITHOUT WRITTEN PERMISSION OF DIGITAL EQUIPMENT CORPORATION



REV. NO.	REV.
CHG. NO.	CHG. NO.
DATE	DATE
BY	BY
CHKD.	CHKD.
APP'D.	APP'D.
DATE	DATE
BY	BY
CHKD.	CHKD.
APP'D.	APP'D.
DATE	DATE
BY	BY

DRN. <i>[Signature]</i>	11-2-78	FIRST USED ON	H7140
CHK'D. <i>[Signature]</i>	1/22/79	TITLE	H7140
ENG. <i>[Signature]</i>	9-6-78		MOTHER BOARD
PROD. ENG. <i>[Signature]</i>	9-6-78		
PROJ. <i>[Signature]</i>	5-6-78		
NEXT HIGHER ASSY.			
SCALE	+	SIZE	D
SHEET	OF	CODE	CS 5413615-0-1
		NUMBER	
		REV.	H

PARTS LIST

QTY PER VARIATION REFERENCE DESIGNATOR

LINE ITEM	DOCUMENT NUMBER	PART NUMBER	DESCRIPTION	QTY PER VARIATION	REFERENCE DESIGNATOR
1	D-MD-5013614-0-0	5013614-00	DRILL & ETCH BD	1	C2
2		1004813-00	10 MFD 20V 10% S.TANT	1	CR
3		1012607-00	560 MFD 20V H% 672D AL EL	1	CR
4		1012607-00	390 MFD 20V H% 67D AL EL	4	C4-C7
5		1013280-00	680.0 MHE1000V 5%200PPM	1	C1
6		1014229-00	1500 MFD 16V +75-10% AL EL	2	C9,C3
7		1016169-00	5600 MFD 6.3V +75,-10% AL EL	1	C10
8		1110854-00	IN 5353B VZ= 16.0V 5% .40W PPE	1	D5
9		1100125-00	IN 758A VZ= 10.0 5% .40W PPE	2	D1,D2
10		1112594-01	A115B PIV=200 I= 3A	1	D6
11		1112595-01	A114B PIV=200 I= 1A	1	D4
12		1112595-02	A114M PIV=600 I= 1A	1	D3
13		1215341-01	HEADER 10POS VERTICAL	1	J1
14		1211004-00	SOCKET,100 28POS BOTTOM MOUNT	4	J12,J13,J11,J8
15		1211004-04	SOCKET,100 40POS	1	J7
16		1211004-05	SOCKET,100 50POS	2	J6,J10
17		1216122-01	HEADER,156 7POS KEYED	1	J5
18		1216122-02	HEADER,156 15POS KEYED	1	J9
19		1216122-04	HEADER,156 3POS	1	J14
20		1216122-05	HEADER,156 6POS	1	J4
21		1300229-00	100.0 .25 W 5.0 %	1	R9
22		1300348-00	680.0 2.0 W 5.0 %	3	R4-R6
23		1300456-00	5.60 K 2.0 W 10.0 %	2	R7,R8
24		1316207-00	3.0 K 7M+,-5%	1	R3
25		1316209-00	17.0 K 7M+,-5%	2	R1,R2
26		1616215-00	XFRM P=240/360 S=5V	1	T1
27		7422391-00	SUPPORT,MOTHER BOARD	1	J2,J3
28		9008219-00	TERM QUICK 1POS ADAPTER	2	
29		9009000-00	RYELET, ROLLED FLANGE, .121 OD X	5	
30		9107688-55	WIRE(WRAP)24AWG UL1327	A/R	

REVISION HISTORY		BASIC PART NO: 5413615		DRN: M.CICCONE		DATE: 27-MAR-79		TITLE		PARTS LIST						
ENG	ECO NUMBER	REV	SECTION A OF A	CHK'D:	DATE:	DES. ENGR:	DATE:	DES. ENGR:	DATE:	RESP. ENGR:	DATE:	MFG. ENGR:	DATE:	TOP DOCUMENT NUMBER:	FILE NAME:	EDIT #
					27-MAR-79	R. WOLF	27-MAR-79	R. WOLF	27-MAR-79	R. WOLF	27-MAR-79	P. WAIKKUS	6-AUG-79	D-VA-5413615-0-0	20376E.PLS	7
					27-MAR-79	R. WOLF	27-MAR-79	R. WOLF	27-MAR-79	R. WOLF	27-MAR-79	P. WAIKKUS	6-AUG-79	D-VA-5413615-0-0	20376E.PLS	7
					27-MAR-79	R. WOLF	27-MAR-79	R. WOLF	27-MAR-79	R. WOLF	27-MAR-79	P. WAIKKUS	6-AUG-79	D-VA-5413615-0-0	20376E.PLS	7
					27-MAR-79	R. WOLF	27-MAR-79	R. WOLF	27-MAR-79	R. WOLF	27-MAR-79	P. WAIKKUS	6-AUG-79	D-VA-5413615-0-0	20376E.PLS	7
					27-MAR-79	R. WOLF	27-MAR-79	R. WOLF	27-MAR-79	R. WOLF	27-MAR-79	P. WAIKKUS	6-AUG-79	D-VA-5413615-0-0	20376E.PLS	7
					27-MAR-79	R. WOLF	27-MAR-79	R. WOLF	27-MAR-79	R. WOLF	27-MAR-79	P. WAIKKUS	6-AUG-79	D-VA-5413615-0-0	20376E.PLS	7
					27-MAR-79	R. WOLF	27-MAR-79	R. WOLF	27-MAR-79	R. WOLF	27-MAR-79	P. WAIKKUS	6-AUG-79	D-VA-5413615-0-0	20376E.PLS	7
					27-MAR-79	R. WOLF	27-MAR-79	R. WOLF	27-MAR-79	R. WOLF	27-MAR-79	P. WAIKKUS	6-AUG-79	D-VA-5413615-0-0	20376E.PLS	7
					27-MAR-79	R. WOLF	27-MAR-79	R. WOLF	27-MAR-79	R. WOLF	27-MAR-79	P. WAIKKUS	6-AUG-79	D-VA-5413615-0-0	20376E.PLS	7
					27-MAR-79	R. WOLF	27-MAR-79	R. WOLF	27-MAR-79	R. WOLF	27-MAR-79	P. WAIKKUS	6-AUG-79	D-VA-5413615-0-0	20376E.PLS	7
					27-MAR-79	R. WOLF	27-MAR-79	R. WOLF	27-MAR-79	R. WOLF	27-MAR-79	P. WAIKKUS	6-AUG-79	D-VA-5413615-0-0	20376E.PLS	7
					27-MAR-79	R. WOLF	27-MAR-79	R. WOLF	27-MAR-79	R. WOLF	27-MAR-79	P. WAIKKUS	6-AUG-79	D-VA-5413615-0-0	20376E.PLS	7
					27-MAR-79	R. WOLF	27-MAR-79	R. WOLF	27-MAR-79	R. WOLF	27-MAR-79	P. WAIKKUS	6-AUG-79	D-VA-5413615-0-0	20376E.PLS	7
					27-MAR-79	R. WOLF	27-MAR-79	R. WOLF	27-MAR-79	R. WOLF	27-MAR-79	P. WAIKKUS	6-AUG-79	D-VA-5413615-0-0	20376E.PLS	7
					27-MAR-79	R. WOLF	27-MAR-79	R. WOLF	27-MAR-79	R. WOLF	27-MAR-79	P. WAIKKUS	6-AUG-79	D-VA-5413615-0-0	20376E.PLS	7
					27-MAR-79	R. WOLF	27-MAR-79	R. WOLF	27-MAR-79	R. WOLF	27-MAR-79	P. WAIKKUS	6-AUG-79	D-VA-5413615-0-0	20376E.PLS	7
					27-MAR-79	R. WOLF	27-MAR-79	R. WOLF	27-MAR-79	R. WOLF	27-MAR-79	P. WAIKKUS	6-AUG-79	D-VA-5413615-0-0	20376E.PLS	7
					27-MAR-79	R. WOLF	27-MAR-79	R. WOLF	27-MAR-79	R. WOLF	27-MAR-79	P. WAIKKUS	6-AUG-79	D-VA-5413615-0-0	20376E.PLS	7
					27-MAR-79	R. WOLF	27-MAR-79	R. WOLF	27-MAR-79	R. WOLF	27-MAR-79	P. WAIKKUS	6-AUG-79	D-VA-5413615-0-0	20376E.PLS	7
					27-MAR-79	R. WOLF	27-MAR-79	R. WOLF	27-MAR-79	R. WOLF	27-MAR-79	P. WAIKKUS	6-AUG-79	D-VA-5413615-0-0	20376E.PLS	7
					27-MAR-79	R. WOLF	27-MAR-79	R. WOLF	27-MAR-79	R. WOLF	27-MAR-79	P. WAIKKUS	6-AUG-79	D-VA-5413615-0-0	20376E.PLS	7
					27-MAR-79	R. WOLF	27-MAR-79	R. WOLF	27-MAR-79	R. WOLF	27-MAR-79	P. WAIKKUS	6-AUG-79	D-VA-5413615-0-0	20376E.PLS	7
					27-MAR-79	R. WOLF	27-MAR-79	R. WOLF	27-MAR-79	R. WOLF	27-MAR-79	P. WAIKKUS	6-AUG-79	D-VA-5413615-0-0	20376E.PLS	7
					27-MAR-79	R. WOLF	27-MAR-79	R. WOLF	27-MAR-79	R. WOLF	27-MAR-79	P. WAIKKUS	6-AUG-79	D-VA-5413615-0-0	20376E.PLS	7
					27-MAR-79	R. WOLF	27-MAR-79	R. WOLF	27-MAR-79	R. WOLF	27-MAR-79	P. WAIKKUS	6-AUG-79	D-VA-5413615-0-0	20376E.PLS	7
					27-MAR-79	R. WOLF	27-MAR-79	R. WOLF	27-MAR-79	R. WOLF	27-MAR-79	P. WAIKKUS	6-AUG-79	D-VA-5413615-0-0	20376E.PLS	7
					27-MAR-79	R. WOLF	27-MAR-79	R. WOLF	27-MAR-79	R. WOLF	27-MAR-79	P. WAIKKUS	6-AUG-79	D-VA-5413615-0-0	20376E.PLS	7
					27-MAR-79	R. WOLF	27-MAR-79	R. WOLF	27-MAR-79	R. WOLF	27-MAR-79	P. WAIKKUS	6-AUG-79	D-VA-5413615-0-0	20376E.PLS	7
					27-MAR-79	R. WOLF	27-MAR-79	R. WOLF	27-MAR-79	R. WOLF	27-MAR-79	P. WAIKKUS	6-AUG-79	D-VA-5413615-0-0	20376E.PLS	7
					27-MAR-79	R. WOLF	27-MAR-79	R. WOLF	27-MAR-79	R. WOLF	27-MAR-79	P. WAIKKUS	6-AUG-79	D-VA-5413615-0-0	20376E.PLS	7
					27-MAR-79	R. WOLF	27-MAR-79	R. WOLF	27-MAR-79	R. WOLF	27-MAR-79	P. WAIKKUS	6-AUG-79	D-VA-5413615-0-0	20376E.PLS	7
					27-MAR-79	R. WOLF	27-MAR-79	R. WOLF	27-MAR-79	R. WOLF	27-MAR-79	P. WAIKKUS	6-AUG-79	D-VA-5413615-0-0	20376E.PLS	7
					27-MAR-79	R. WOLF	27-MAR-79	R. WOLF	27-MAR-79	R. WOLF	27-MAR-79	P. WAIKKUS	6-AUG-79	D-VA-5413615-0-0	20376E.PLS	7
					27-MAR-79	R. WOLF	27-MAR-79	R. WOLF	27-MAR-79	R. WOLF	27-MAR-79	P. WAIKKUS	6-AUG-79	D-VA-5413615-0-0	20376E.PLS	7
					27-MAR-79	R. WOLF	27-MAR-79	R. WOLF	27-MAR-79	R. WOLF	27-MAR-79	P. WAIKKUS	6-AUG-79	D-VA-5413615-0-0	20376E.PLS	7
					27-MAR-79	R. WOLF	27-MAR-79	R. WOLF	27-MAR-79	R. WOLF	27-MAR-79	P. WAIKKUS	6-AUG-79	D-VA-5413615-0-0	20376E.PLS	7
					27-MAR-79	R. WOLF	27-MAR-79	R. WOLF	27-MAR-79	R. WOLF	27-MAR-79	P. WAIKKUS	6-AUG-79	D-VA-5413615-0-0	20376E.PLS	7
					27-MAR-79	R. WOLF	27-MAR-79	R. WOLF	27-MAR-79	R. WOLF	27-MAR-79	P. WAIKKUS	6-AUG-79	D-VA-5413615-0-0	20376E.PLS	7
					27-MAR-79	R. WOLF	27-MAR-79	R. WOLF	27-MAR-79	R. WOLF	27-MAR-79	P. WAIKKUS	6-AUG-79	D-VA-5413615-0-0	20376E.PLS	7
					27-MAR-79	R. WOLF	27-MAR-79	R. WOLF	27-MAR-79	R. WOLF	27-MAR-79	P. WAIKKUS	6-AUG-79	D-VA-5413615-0-0	20376E.PLS	7
					27-MAR-79	R. WOLF	27-MAR-79	R. WOLF	27-MAR-79	R. WOLF	27-MAR-79	P. WAIKKUS	6-AUG-79	D-VA-5413615-0-0	20376E.PLS	7
					27-MAR-79	R. WOLF	27-MAR-79	R. WOLF	27-MAR-79	R. WOLF	27-MAR-79	P. WAIKKUS	6-AUG-79	D-VA-5413615-0-0	20376E.PLS	7
					27-MAR-79	R. WOLF	27-MAR-79	R. WOLF	27-MAR-79	R. WOLF	27-MAR-79	P. WAIKKUS	6-AUG-79	D-VA-5413615-0-0	20376E.PLS	7
					27-MAR-79	R. WOLF	27-MAR-79	R. WOLF	27-MAR-79	R. WOLF	27-MAR-79	P. WAIKKUS	6-AUG-79	D-VA-5413615-0-0	20376E.PLS	7
					27-MAR-79	R. WOLF	27-MAR-79	R. WOLF	27-MAR-79	R. WOLF	27-MAR-79	P. WAIKKUS	6-AUG-79	D-VA-5413615-0-0	20376E.PLS	7
					27-MAR-79	R. WOLF	27-MAR-79	R. WOLF	27-MAR-79	R. WOLF	27-MAR-79	P. WAIKKUS	6-AUG-79	D-VA-5413615-0-0	20376E.PLS	7
					27-MAR-79	R. WOLF	27-MAR-79	R. WOLF	27-MAR-79	R. WOLF	27-MAR-79	P. WAIKKUS	6-AUG-79	D-VA-5413615-0-0	20376E.PLS	7
					27-MAR-79	R. WOLF	27-MAR-79	R. WOLF	27-MAR-79	R. WOLF	27-MAR-79	P. WAIKKUS	6-AUG-79	D-VA-5413615-0-0	20376E.PLS	7
					27-MAR-79	R. WOLF	27-MAR-79	R. WOLF	27-MAR-79	R. WOLF	27-MAR-79	P. WAIKKUS	6-AUG-79	D-VA-5413615-0-0	20376E.PLS	7
					27-MAR-79	R. WOLF	27-MAR-79	R. WOLF	27-MAR-79	R. WOLF	27-MAR-79	P. WAIKKUS	6-AUG-79	D-VA-5413615-0-0	20376E.PLS	7
					27-MAR-79	R. WOLF	27-MAR-79	R. WOLF	27-MAR-79	R. WOLF	27-MAR-79	P. WAIKKUS	6-AUG-79	D-VA-5413615-0-0	20376E.PLS	7
					27-MAR-79	R. WOLF	27-MAR-79	R. WOLF	27-MAR-79	R. WOLF	27-MAR-79	P. WAIKKUS	6-AUG-79	D-VA-5413615-0-0	20376E.PLS	7
					27-MAR-79	R. WOLF	27-MAR-79	R. WOLF	27-MAR-79	R. WOLF	27-MAR-79	P. WAIKKUS	6-AUG-79	D-VA-5413615-0-0	20376E.PLS	7
					27-MAR-79	R. WOLF	27-MAR-79	R. WOLF	27-MAR-79	R. WOLF	27-MAR-79	P. WAIKKUS	6-AUG-79	D-VA-5413615-0-0	20376E.PLS	7
					27-MAR-79	R. WOLF	27-MAR-79	R. WOLF	27-MAR-79	R. WOLF	27-MAR-79	P. WAIKKUS	6-AUG-79	D-VA-5413615-0-0	20376E.PLS	7
					27-MAR-79	R. WOLF										

AUTOMATED BY PRTLST.3J(25)

PARTS LIST

SHEET A2 OF A2

LINE ITEM DOCUMENT NUMBER

PART NUMBER

DESCRIPTION

QTY PER VARIATION
00

REFERENCE DESIGNATOR

31 NOTE: FOR ITEM #32, 46' IS USED.

D	I	G	I	T	A	L	TITLE	MOTHER BOARD	SECTION A OF A	SIZE	CODE	DOCUMENT NUMBER	REV
										K	PL	5413615-0-DBP	E

TW

THE DESIGN AND WORKING DRAWINGS ARE THE PROPERTY OF C.I. LITH. GRAPHIC COMPANY AND SHALL NOT BE REPRODUCED OR COPIED IN WHOLE OR IN PART WITHOUT THE WRITTEN PERMISSION OF C.I. LITH. GRAPHIC COMPANY. © 1982

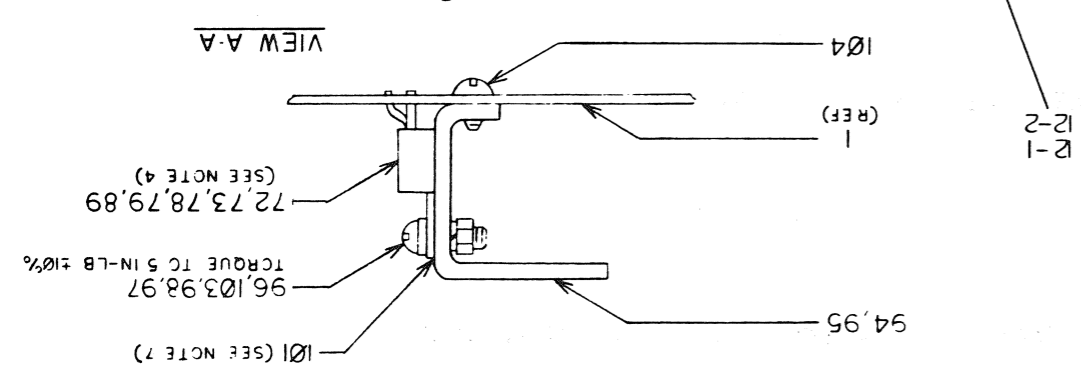
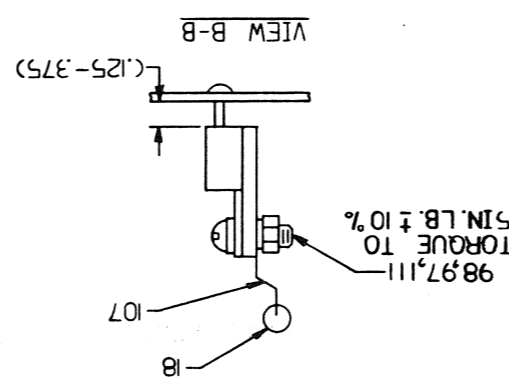
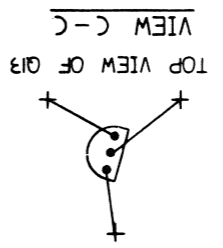
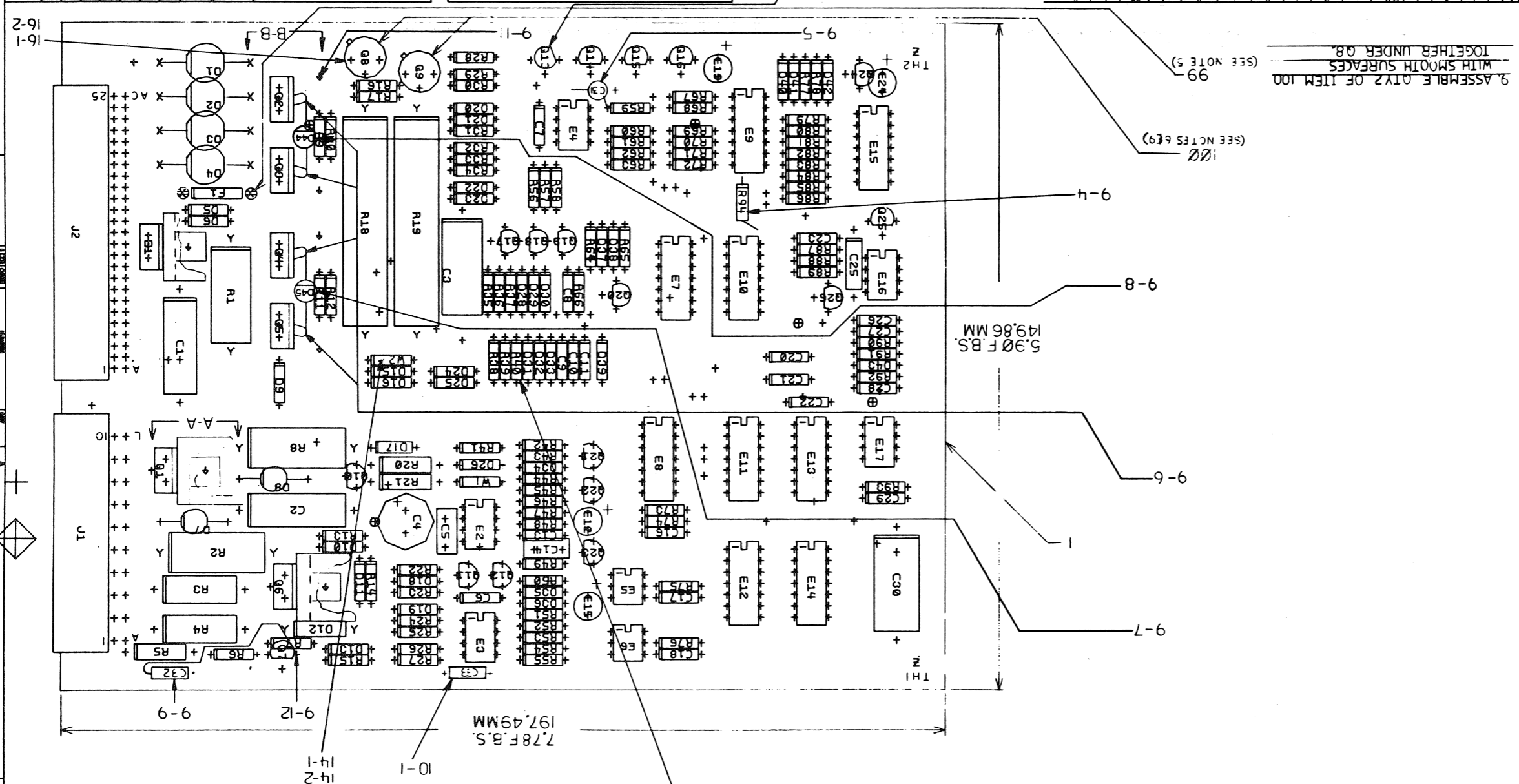
NOTES:

1. STEP AND REPEAT CODE 2ML39
2. R18, R19 MUST BE RAISED .125 TO .150
3. D1-D4, R1, R2 R8 MUST BE RAISED .05 TO .10
4. E1 AND Q1-Q6 MUST BE MOUNTED TO HEAT SINK BEFORE BEING ATTACHED TO PCB
5. EYELET ITEM NO. 99, USED IN MOUNTING HOLES OF FL.
6. USE TRANSIPAD ITEM NO. 100 UNDER Q9
7. USE THERMAL COMPOUND ITEM NO. 101 BETWEEN E1-Q1-Q6 AND HEAT SINK'S.
8. FOR INSTALLATION OF Q13 (ITEM# 69) SEE VIEW C-C.
9. STEP 6 + X ROTS 6, 225, STEP 1 TIMES REPEAT

CHARGE	NO	REV
SAI3605-TW4	E	
		95-10
		R. WOLF
SAI3605-TW9	F	
		6-24-92
		A. KRZYWICKI
		E. CROCKER
SAI3605-TW10	H	
		11-11-92
		R. HEATON
SAI3605-TW12	J	
		11-11-92
		A. KRZYWICKI
		K. KNOWLES
SAI3605-TW14	K	
		11-11-92
		K. KNOWLES
SAI3605-TW15	L	
		11-11-92
		A. KRZYWICKI
		R. HEATON
SAI3605-TW16	M	
		11-11-92
		K. KNOWLES

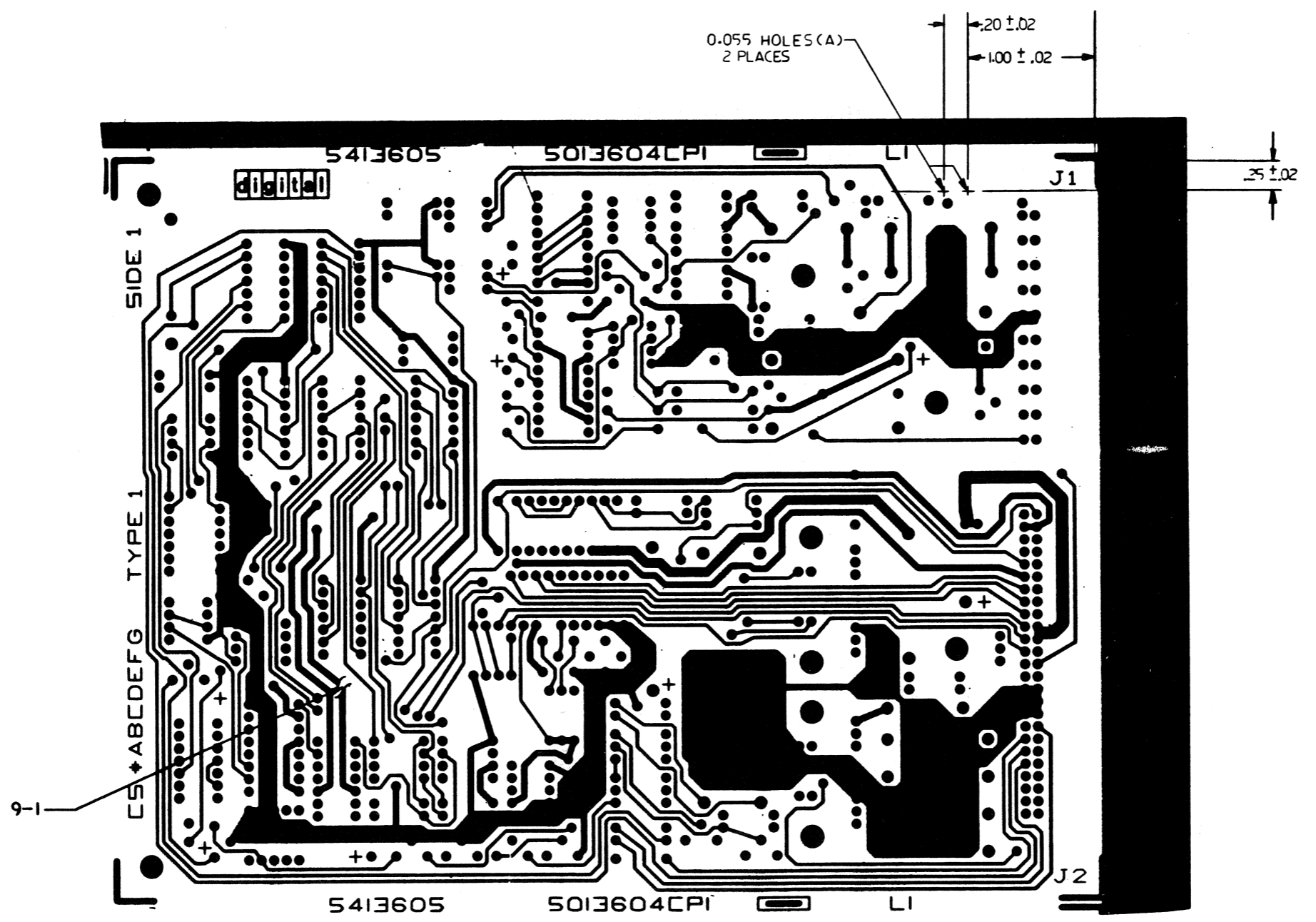
SIGNATURES	DATE
DRN. 1-4-80	
CHK'D. 1-17-80	
MECH. ENG. 3-1-80	
PROJ. ENG. 3-1-80	
PROD. 10-9-80	
SCALE	
SIZE CODE	
NUMBER	
REV	

INTERFACE BOARD
DIGITAL



THIS DRAWING AND SPECIFICATIONS HEREIN ARE THE PROPERTY OF DIGITAL EQUIPMENT CORPORATION AND SHALL NOT BE REPRODUCED OR COPIED OR USED IN WHOLE OR IN PART AS THE BASIS FOR THE MANUFACTURE OR SALE OF ITEMS WITHOUT WRITTEN PERMISSION. COPYRIGHT © DIGITAL EQUIPMENT CORPORATION

DUA5413605-C-0

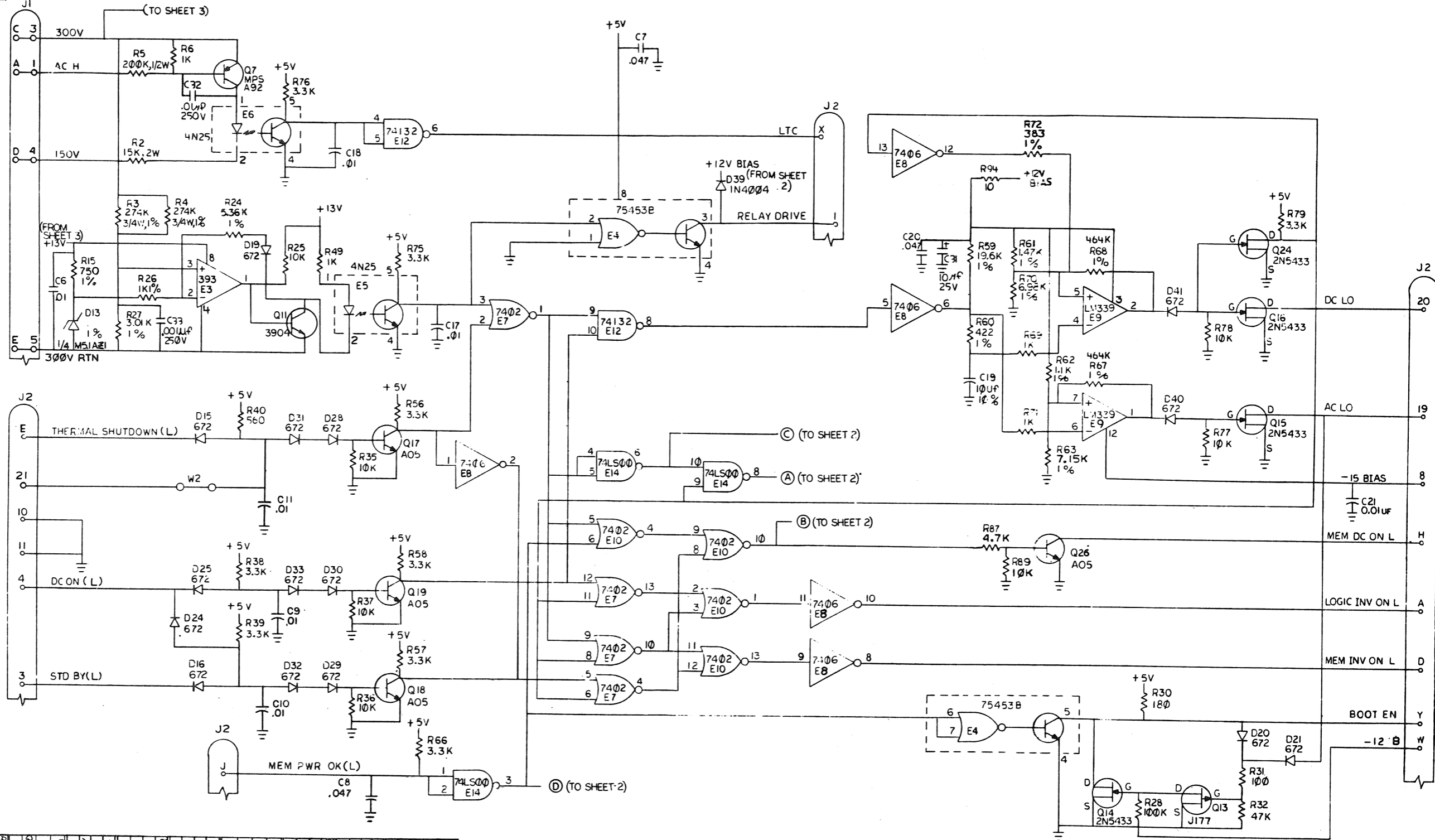


REVISION HISTORY	
DATE	REV.

DOCUMENT NUMBER			
REV.	CODE	NUMBER	REV.
D	UA	5413605-C-0	M
SCALE		SHEET 2 OF 3	
TW		1	

DUA5413605-C-0

THIS DRAWING AND SPECIFICATIONS HEREIN ARE THE PROPERTY OF DIGITAL EQUIPMENT CORPORATION AND SHALL NOT BE REPRODUCED OR COPIED OR USED IN WHOLE OR IN PART AS THE BASIS FOR THE MANUFACTURE OR SALE OF ITEMS WITHOUT WRITTEN PERMISSION.
 COPYRIGHT © 1978 DIGITAL EQUIPMENT CORPORATION



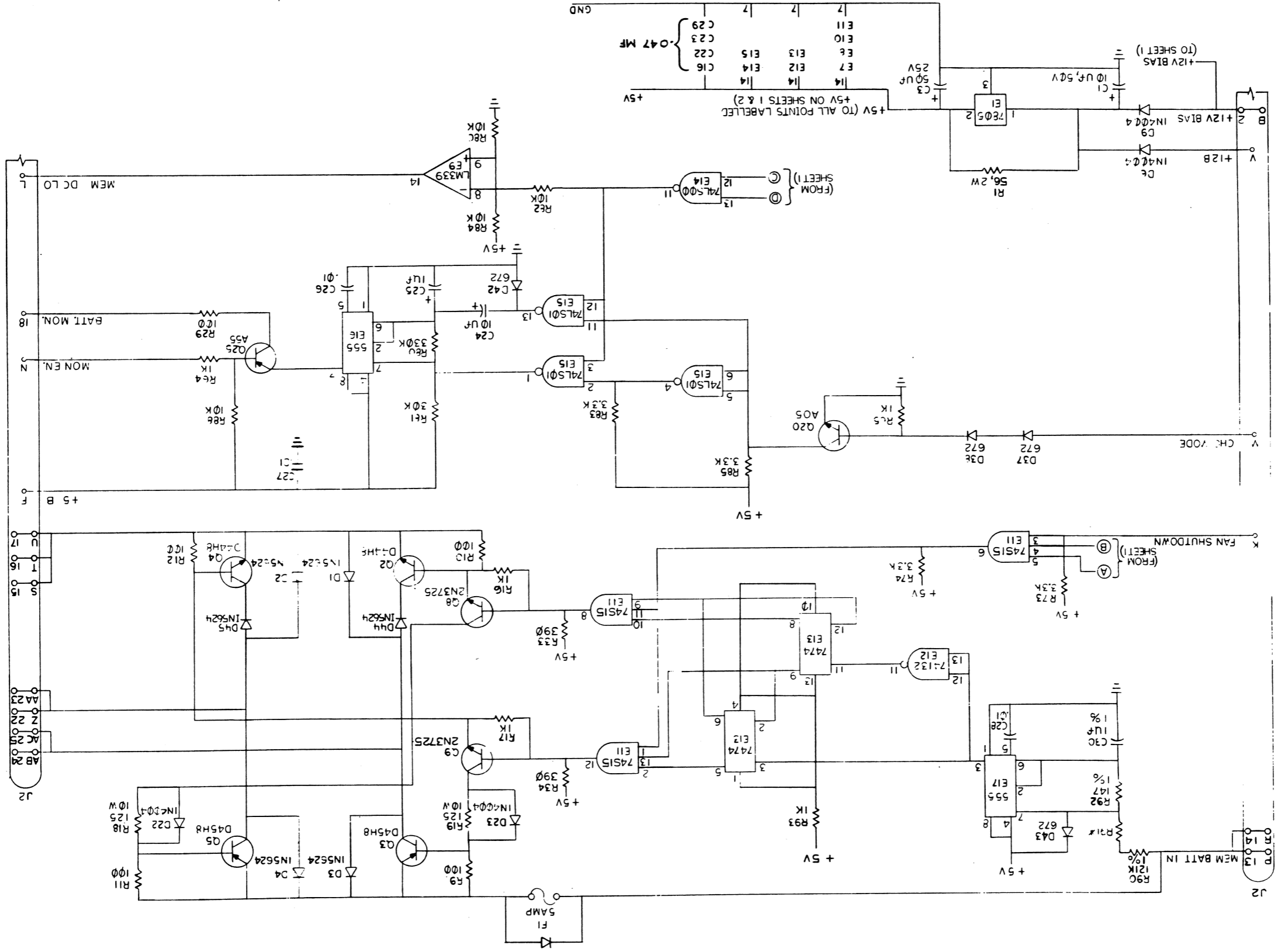
REV.	DATE	BY	CHK'D	APP'D
1	5/13/80	R. WOLF	R. WOLF	R. WOLF
2	5/13/80	R. WOLF	R. WOLF	R. WOLF
3	5/13/80	R. WOLF	R. WOLF	R. WOLF
4	5/13/80	R. WOLF	R. WOLF	R. WOLF
5	5/13/80	R. WOLF	R. WOLF	R. WOLF
6	5/13/80	R. WOLF	R. WOLF	R. WOLF
7	5/13/80	R. WOLF	R. WOLF	R. WOLF
8	5/13/80	R. WOLF	R. WOLF	R. WOLF

DRN. 11-778	FIRST USED ON	DIGITAL
CHK'D	ENG. R. WOLF	TITLE
PROJ. ENG. R. WOLF	7-22-79	BIAS AND INTERFACE BOARD
PROD. F. WOLF	7-13-79	
NEXT HIGHER ASSY.		
SCALE	SIZE CODE	NUMBER
SHEET 1 OF 3	D CS	5413605-0-1
	DIST.	REV

REV.	CHANGES NO.	REV.

THIS DRAWING AND SPECIFICATION HEREBY ARE THE PROPERTY OF DIGITAL CORPORATION AND SHALL NOT BE REPRODUCED OR USED IN WHOLE OR IN PART AS THE BASIS FOR THE MANUFACTURE OF ANY EQUIPMENT OR FOR THE REPRODUCTION OF THIS DRAWING OR SPECIFICATION OR FOR THE REPRODUCTION OF ANY EQUIPMENT OR FOR THE REPRODUCTION OF ANY EQUIPMENT WITHOUT WRITTEN PERMISSION OF DIGITAL CORPORATION.
 1975
 DIGITAL CORPORATION
 DIGITAL EQUIPMENT CORPORATION

COMPONENT	- CO	VAR
DESIGNATOR	VAR	VAR
R91	5.36K	40.2K
	1%	1%



+5V (TO ALL POINTS LABELLED +5V ON SHEETS 1 & 2)

C16	E14
C22	E15
C23	E13
E11	E11

0.47 MF

REV.	NUMBER	SIZE CODE	TITLE
1	5413605-0-1	D	BIAS AND INTERFACE BOARD

REV. 1
 NUMBER 5413605-0-1
 SIZE CODE D

REV. 1
 NUMBER 5413605-0-1
 SIZE CODE D

1 2 3 4 5 6 7 8

1 2 3 4 5 6 7 8

AUTOMATED BY PRTLSL(40) PARTS LIST QTY PER VARIATION REFERENCE DESIGNATOR SHEET 11 OF A3

LINE ITEM	DOCUMENT NUMBER	PART NUMBER	DESCRIPTION	QTY	REFERENCE DESIGNATOR
1	D-MD-5013604-0-0	5013604-00	DRILL & ETCH BD	1	C5, C14
2		1000024-00	470.0 MMF 100V 5%200PPM MICA	2	C1
3		1000070-00	10 MFD 50V+100-10% AL EL	1	C2
4		1000075-00	25 MFD 25V +75-10% AL EL	1	C6, C9-C11, C13, C17, C18, C21, C26-C28
5		1001610-00	.01 MFD 50V +80-20% Z5U CER	11	C25
6		1001776-00	1 MFD 35V 10% S. TANT	1	C3
7		1001796-00	50 MFD 25V +75-10% AL EL	1	C12, C15, C24, C31
8		1010866-02	10 MFD 25V +50-20% S. TANT	4	C7, C16, C20, C22, C23, C29
9		1012784-00	.047 MFD 50V +80-20% CER	6	C4
10		1013252-00	82 MFD 50V+100-10% AL EL	1	C30
11		1016138-00	1 MFD 50V 1% M. POLYCARB	1	D15, D16, D18-D21, D24-D26, D28-D33, D35-D38, D40-D43
12		1105275-00	D 672 TR= 15NS PIV= 60V SI	23	D5, D6, D9, D11, D22, D23, D39
13		1105796-00	IN 4004 PIV=400 I= 1.1 D041 SP	7	D10, D17
14		1105871-00	1/4M5, 1A21 = 5.1 1% .25W N	1	D13
15		1109502-02	IN 4742A VZ= 12.0 5% 1M	1	D34
16		1109517-00	IN 9148 TR= 4NS PIV= 75V SY	1	D10, D17
17		1109943-00	IN 4733A VZ= 5.1 5% 1M Y	1	D10
18		1110420-00	IN 5624 PIV=200 I= 5A	6	D1-D4, D44, D45
19		1110854-00	IN 5353B VZ= 16.0V 5% .40W M	1	D12
20		1112595-00	A114F PIV= 50 I= 1A	1	D8
21		1112595-01	A114B PIV=200 I= 1A	1	D7
22		1205747-00	FUSE, SUB-MINI, 5.000A, 125V, A	1	F1
23		1215112-02	PCB, HEADER 20POS(1X20), .156CC 90D	1	J1
24		1216112-03	PCB, HEADER 50POS(1X50), .156CC 90D	1	J2
25		1300229-00	.25 W 5.0 % CF	7	R9-R12, R29, R31, R46
26		1300309-00	.25 W 5.0 % CF	2	R33, R34
27		1300315-00	.50 W 5.0 % CF	1	R21
28		1300347-00	.680.0 .50 W 5.0 % CF	1	R20

ECO NUMBER	REV	SECTION A OF A	DRN	DATE	TITLE
5413605-TW009	F	SECTION, VARIATION INDEX	J. FERGUSON	16-OCT-80	BIAS AND INTERFACE BD
5413605-TW010	H			16-OCT-80	
5413605-TW012	J			16-OCT-80	
5413605-TW014	K			16-OCT-80	
5413605-TW015	L			16-OCT-80	
5413605-TW016	M			16-OCT-80	
5413605-TW010	F			16-OCT-80	
5413605-TW010	H			16-OCT-80	
5413605-TW012	J			16-OCT-80	
5413605-TW014	K			16-OCT-80	
5413605-TW015	L			16-OCT-80	
5413605-TW016	M			16-OCT-80	
5413605-TW016	KK			16-OCT-80	
5413605-TW015	RH			16-OCT-80	
5413605-TW014	KK			16-OCT-80	
5413605-TW012	KK			16-OCT-80	
5413605-TW010	RH			16-OCT-80	
5413605-TW009	EC			16-OCT-80	

REVISION HISTORY BASIC PART NO: 5413605

SECTION A OF A

SECTION, VARIATION INDEX

CHK'D: F. GAROFALO DATE: 16-OCT-80

DES. ENG.: R. WOLF DATE: 16-OCT-80

RESP. ENG.: R. WOLF DATE: 16-OCT-80

MFG. ENG.: J. COMELLA DATE: 16-OCT-80

ASSEMBLY NUMBER: D-UA-5413605-0-0

TOP DOCUMENT NUMBER: B-DD-5413605-0-0

FILE NAME: Z0402M.PLS

EDIT # 24

"THIS DRAWING AND SPECIFICATIONS HEREIN, ARE THE PROPERTY OF DIGITAL EQUIPMENT CORPORATION AND SHALL NOT BE REPRODUCED OR COPIED OR USED IN WHOLE OR IN PART AS THE BASIS FOR THE MANUFACTURE OR SALE OF ITEMS WITHOUT WRITTEN PERMISSION. COPYRIGHT (C) 1983, DIGITAL EQUIPMENT CORPORATION"

AUTOMATED BY PRTLST.3L(40)

PARTS LIST

SHEET A2 OF A3

LINE	ITEM	DOCUMENT NUMBER	PART NUMBER	DESCRIPTION	QTY	PER VARIATION	REFERENCE DESIGNATOR
					00		
29	29		1300365-00	1.0 K .25 W 5.0 % CF	10		R6,R13,R16,R17,R49,R64,R65,R69,
30	30		1300439-00	3.30 K .25 W 5.0 % CF	13	CONT	R71,R93
31	31		1300444-00	3.90 K .25 W 5.0 % CF	1	CONT	R38,R39,R56-R58,R66,R73-R76,R79,
32	32		1300447-00	4.70 K .25 W 5.0 % CF	2		R83,R85
33	33		1300479-00	10.0 K .25 W 5.0 % CF	12	CONT	R14
34	34		1301322-00	180.0 .25 W 5.0 % CF	1		R52,R87
35	35		1302091-00	330.0 K .25 W 5.0 % CF	1		R25,R35-R37,R50,R77,R78,R82,R84,
36	36		1302177-00	47.0 K .25 W 5.0 % CF	1		R86,R88,R89
37	37		1302334-00	15.0 K 2.0 W 5.0 % CC	1		R30
38	38		1302394-00	30.0 K .25 W 5.0 % CF	1		R80
39	39		1302466-00	100.0 K .25 W 5.0 % CF	2		R32
40	40		1302479-00	200.0 K .50 W 5.0 % CF	1		R2
41	41		1302644-00	226.0 .25 W 1.0 % RN55D-F10	1		R81
42	42		1302645-00	1.10 K .25 W 1.0 % RN55D-F10	1		R28,R48
43	43		1302748-00	1.0 K .25 W 1.0 % RN55C-F 5	2		R5
44	44		1302751-00	30.0 .25 W 5.0 % CF	1		R42
45	45		1302836-00	56.0 2.0 W 5.0 % CC	1		R62
46	46		1302860-00	11.50 K .25 W 1.0 % RN55D-F10	1		R26,R45
47	47		1302874-00	147.0 .25 W 1.0 % RN55D-F10	1		R43
48	48		1302955-00	750.0 .25 W 1.0 % RN55D-F10	1		R1
49	49		1303067-00	422.0 .25 W 1.0 % RN55D-F10	1		R47
50	50		1303177-00	2.40 K .25 W 5.0 % CF	1		R92
51	51		1303305-00	6.98 K .25 W 1.0 % RN55D-F10	1		R15
52	52		1303322-00	274.0 K .75 W 1.0 % RN65D-F10	2		R60
53	53		1303438-00	121.0 K .25 W 1.0 % RN55D-F10	1		R44
54	54	BLANK		*** THIS ITEM IS NOT USED ***	-		R70
55	55		1305108-00	1.47 K .25 W 1.0 % RN55D-F10	1		R3,R4
56	56		1305125-00	383.0 .25 W 1.0 % RN55D-F10	1		R90
57	57		1305253-00	7.15 K .25 W 1.0 % RN55D-F10	1		R61
58	58		1305357-00	125.0 10.0 W 5.0 % WW	2		R72
59	59		1309419-00	19.60 K .25 W 1.0 % RN55D-F10	1		R63
60	60		1305405-00	24.90 K .25 W 1.0 % RN55D-F10	1		R18,R19
61	61		1313341-00	5.36 K .25 W 1.0 % RN55D-F10	2		R59
62	62		1313775-00	80.60 K .25 W 1.0 % RN55D-F10	1		R53
63	63		1313843-00	107.0 K .25 W 1.0 % RN55D-F10	1		R24,R91
64	64		1314023-00	47.0 2.0 W 5.0 % CC	1		R22
65	65		1314041-00	3.01 K .25 W 1.0 % RN55D-F10	2		R23
66	66		1303043-00	464.0 K .25 W 1.0 % RN55D-F10	2		R8
67	67		1314387-00	3.90 M .25 W 5.0 % CF	1		R27,R41
68	68		1509524-00	2N 3904 NPN 310MW SI 40 40 M	2		R67,R68
69	69		1517832-00	J 177 FET 360MW SI P CHNNL	1		R7
70	70		1510705-00	XA 05 NPN 500MW SI 60 50 P	5		Q11,Q12
71	71		1510706-00	XA 55 PNP 500MW SI 60 50 P	2		Q13
72	72		1510707-00	D 44H8 NPN 25W SI 60A2A	2		Q17-Q20,Q26
73	73		1510708-00	D 45H8 PNP 50WT SI 60 60 Y	2		Q21,Q25

D	I	G	I	T	A	L	TITLE	BIAS AND INTERFACE BD	SECTION A OF A	SIZE	CODE	DOCUMENT NUMBER	REV
										K	PL	5413605-0-DBP	M

Automated by PRTST.3L(40)

PARTS LIST

QTY PER VARIATION 00 REFERENCE DESIGNATOR

LINE ITEM	DOCUMENT NUMBER	PART NUMBER	DESCRIPTION	QTY PER VARIATION	REFERENCE DESIGNATOR
74	1510959-00	2N 3725	NPN 3.5WC SI 50 60 P	2	Q8,Q9
75	1511686-00	DEC5433	FET N 350M SI 10 25 1A	1	Q14-Q16,Q24
76	1513489-00	2N 4401	NPN 350M SI 40 20	1	Q10
77	1513490-00	2N 4403	NPN 350M SI-40 30	1	Q23
78	1514271-01	D 44Q5	NPN 31W SI225 30	1	Q6
79	1516119-00	NPN 75W	SI	1	Q1
80	1516121-00	MPS A92	PNP 625MW SI300 25	1	Q7
81	1905547-00	7474	FF-D DUAL,EDGE TRIGG	1	E13
82	1909004-00	DEC 7402	NOR GATE-QUAD 2IN	1	E7,E10
83	1910538-00	74S15	AND GATE-TRIPLE 3IN	1	E11
84	1910741-00	7406	INVERTER GATE-HEX 11	1	E8
85	1911036-00	75453	DRIVER,PERIPH,DUAL,	1	E4
86	1911637-00	74132	NAND GATE-QUAD 2 IN	1	E12
87	1911944-00	555CN	TIMER,FUNCT,BLOCK	2	E2,E16
88	1912108-00	339	VOLT CMPRTR,QUAD	1	E9
89	1912536-01	7805	VOLT REG,FIX +5V	1	E1
90	1912799-00	LS00	NAND-GATE-QUAD 2IN,P	1	E14
91	1912800-00	LS01	NAND-GATE-QUAD 2IN,P	1	E15
92	1914156-00	LM 393	VOLT.COMPARATOR DUAL	1	E3
93	1914194-00		OPTP-COUPLED ISOLATOR	1	E5,E6
94	C-MD-7422046-0-0		HEAT SINK,SINGLE	3	
95			*** THIS ITEM IS NOT USED ***	3	
96	9006011-01	4-	SCREW,MACH PAN PHIL	7	
97	9006556-00	NUT,HEX 4-40X	.264AF SS/N	7	
98	9006688-00	WASHER,HELICAL SPLIT	SS1	7	
99	9006735-00	EYELET,FUNNEL	0.0590DX0.187	2	
100	9007201-00	PAD,MOUNTING,COMPONENT		3	
101	9008268-00	COMPOUND,THERMAL JOINT		2	W1,W2
102	9009185-00	JUMPER,WIRE,INSULATED,	BLACK B	3	
103	9009769-00	WASHER,RECTNGLR	STEEL	3	
104	9010128-00	4-	SCREW,TAP PAN PHIL THD RL	3	R51,R55
105	1303312-00	10.0 K	.25 W 1.0 * RN55D-F10	2	
106	1303044-00	100.0 K	.25 W 1.0 * RN55D-F10	4	R54
107	9006761-00	TERM,LUG	#6STUD LOCKING 45	1	C8
108	1010978-32	.047 MFD	50V 10% CER	1	R94
109	1301317-00	10.0	.25 W 5.0 * CF	1	
110	9107256-00	TUBING,TEFLON .027ID		4	
111	9008301-01	4-	SCREW,MACH PAN PHIL	4	
112	1000043-00	1000.0 MMF	250V 20% YSF DISC	2	C32,C33
113	1210244-01	GRIPLET, .050 STRIP FORM		1	
114	9105740-55	WIRE(WRAP) 30AWG	KYMAR UL14	A/R	
115	1301890-00	560.0	.25 W 5.0 * CF	1	R40
116	1911944-01	555-1	TIMER FUNCT.BLOCK,S	1	E17
117	1018571-00	10 MFD	25V 10% S.TANT	1	C19
118	1510705-01	B 05	NPN 500MW SI 60 50	1	Q22

DI G I T I A L TITLE BIAS AND INTERFACE BD SECTION A OF A

SIZE CODE DOCUMENT NUMBER REV

K PL 5413605-0-DBP M