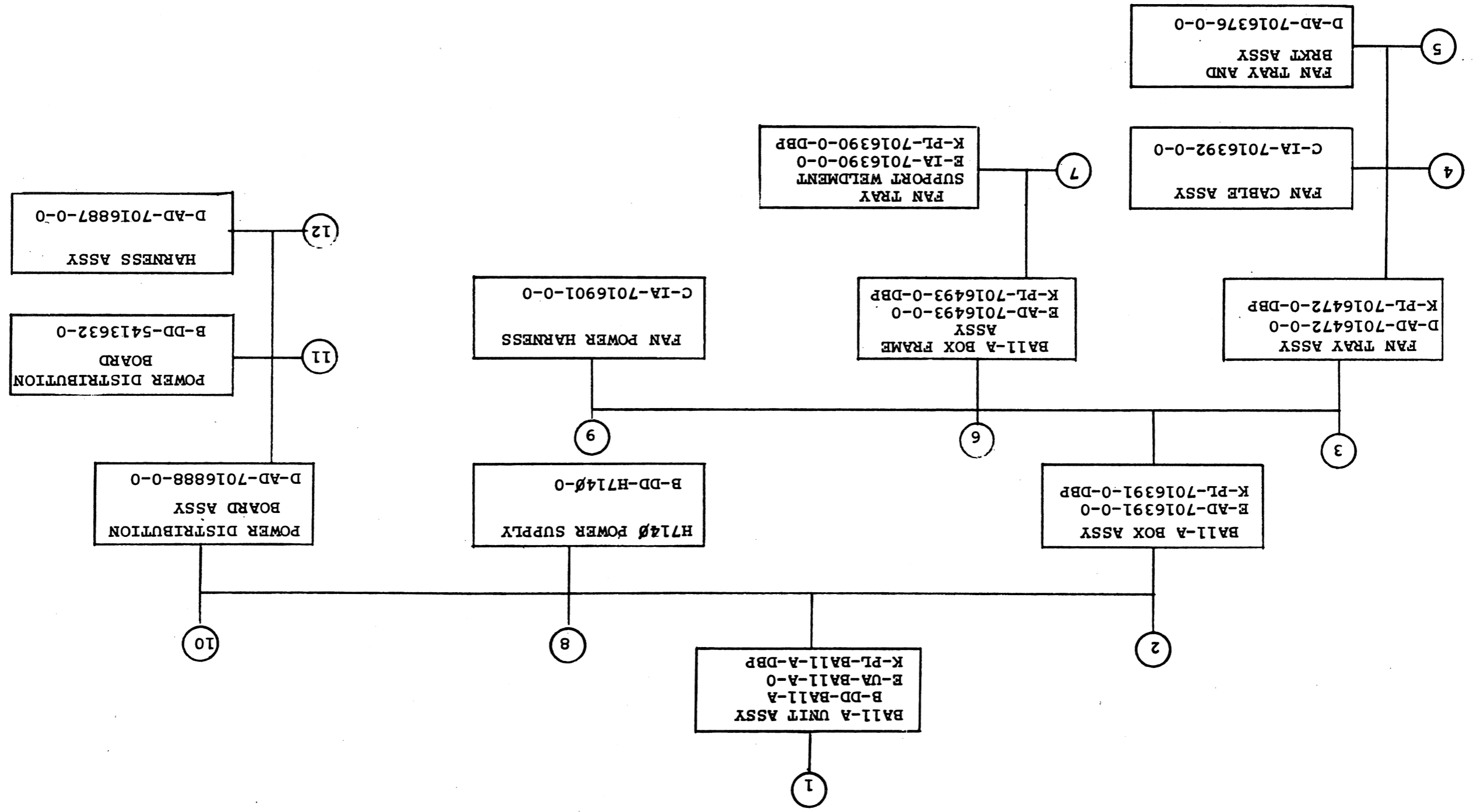


REV.	NUMBER	B DD	SIZE	SHEET 2 OF 3	TITLE
B	BAL1-A				BAL1-A UNIT ASSY

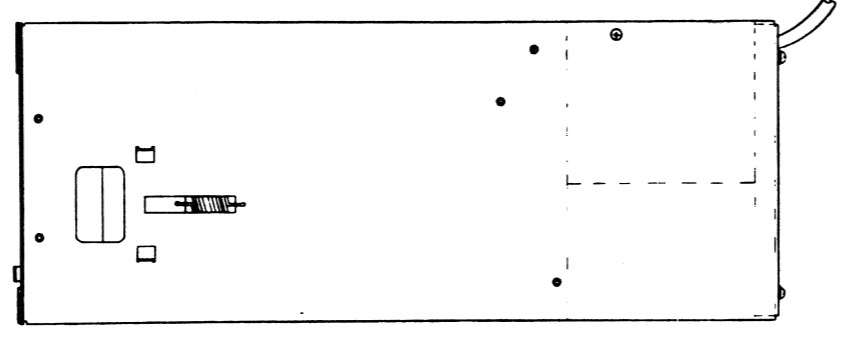


BAI-A-001
 BAI-A
 BAI-A
 BAI-A

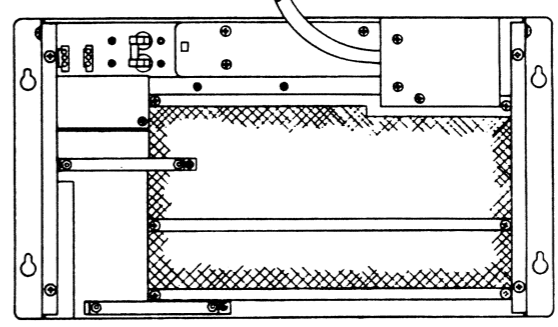
REV	DATE	BY	CHKD	DESCRIPTION
1				
2				
3				
4				
5				
6				
7				
8				
9				
10				
11				
12				
13				
14				
15				
16				
17				
18				
19				
20				
21				
22				
23				
24				
25				
26				
27				
28				
29				
30				
31				
32				
33				
34				
35				
36				
37				
38				
39				
40				
41				
42				
43				
44				
45				
46				
47				
48				
49				
50				
51				
52				
53				
54				
55				
56				
57				
58				
59				
60				
61				
62				
63				
64				
65				
66				
67				
68				
69				
70				
71				
72				
73				
74				
75				
76				
77				
78				
79				
80				
81				
82				
83				
84				
85				
86				
87				
88				
89				
90				
91				
92				
93				
94				
95				
96				
97				
98				
99				
100				

SEE OFF SHEET PARTS LIST
 N-PL-BAII-A-DBP (Z36308)

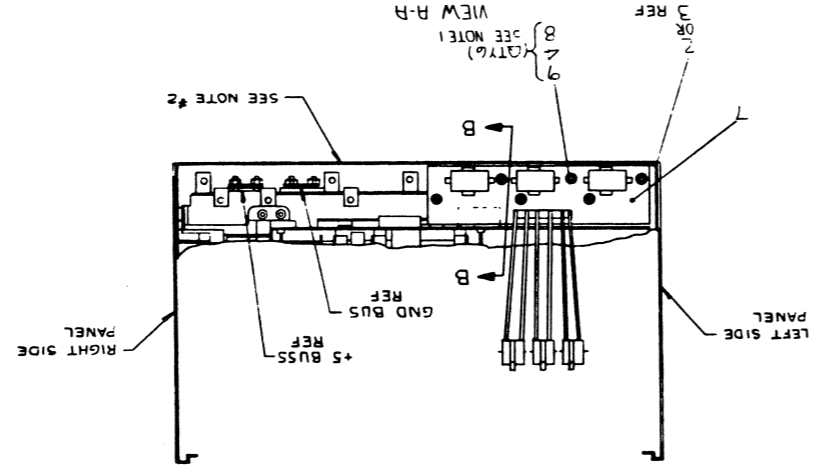
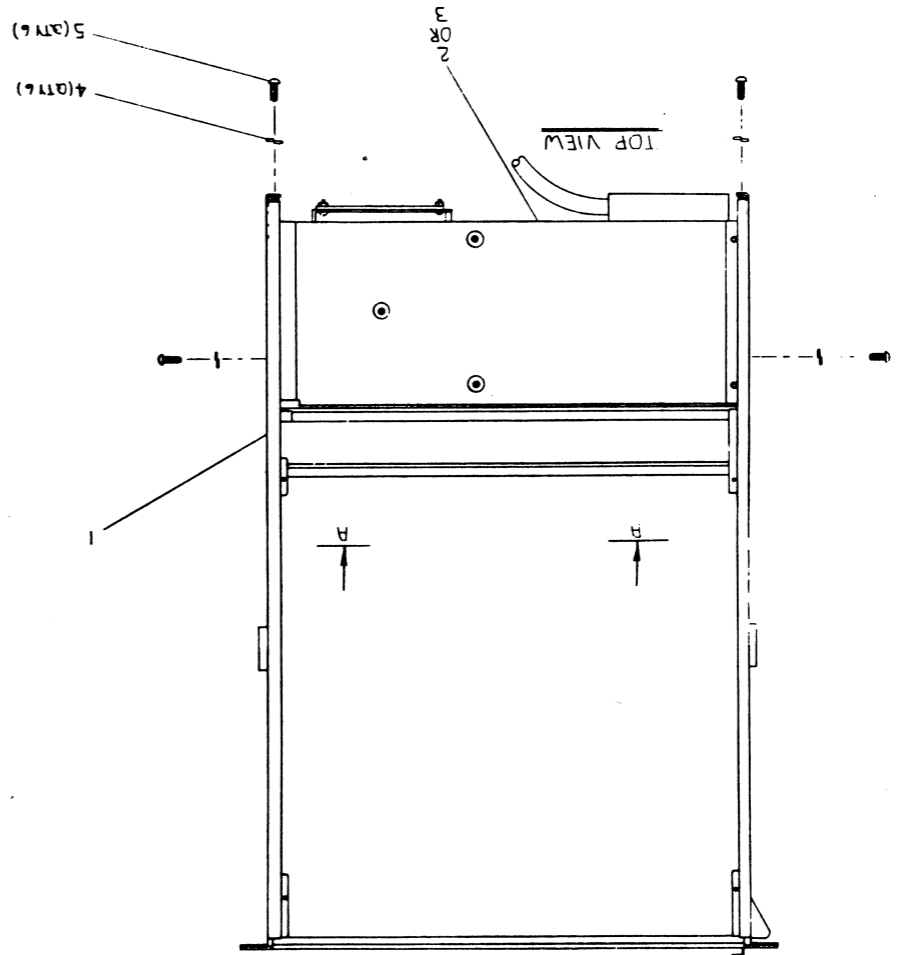
LEFT SIDE VIEW



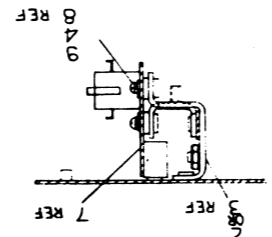
REAR VIEW



TOP VIEW



SECTION B-B
 SCALE: 1/1
 SHOWN WITH POWER SUPPLY
 BOTTOM COVER REMOVED



NOTES:
 1. TORQUE ITEMS 8 TO 22 IN/RS.
 2. POWER SUPPLY BOTTOM COVER MUST
 BE REMOVED TO INSTALL POWER
 DISTRIBUTION BOARD (ITEM 7).

LINE	ITEM	DOCUMENT NUMBER	PART NUMBER	DESCRIPTION	QUANTITY PER VARIATION								
					AA	AB	AE	AF	AL	AM	AS	AT	
1	1	E-AD-7016391-0-0	7016391-00	BA11 BOX ASSY	1	1	-	-	-	-	-	-	-
2	2	E-UA-H7140-0-0	H7140-00	*** THIS ITEM IS NOT USED ***	-	-	-	-	-	-	-	-	-
3	3	E-UA-H7140-0-0	H7140-AB	H7140 W 240V LINE CORD,50/60HZ	-	1	-	-	-	-	-	-	-
4	4		9006690-00	WASHER,HELICAL SPLIT SST	12	12	-	-	-	-	-	12	12
5	5		9006418-01	SCREW,TAP PAN PHIL THD RL 8-	6	6	-	-	-	-	-	6	6
6	6	A-SP-3700472-0-0	3700472-00	INSTR PKG COMPUTER(BA11-A)	REF	REF	-	-	-	-	-	-	-
7	7	D-AD-7016888-0-0	7016888-00	POWER DIST. JUMPER ASSY	1	1	-	-	-	-	-	1	1
8	8		9006039-01	SCREW,MACH PAN PHIL 8-	6	6	-	-	-	-	-	6	6
9	9		9006661-00	WASHER,FLAT SST	6	6	-	-	-	-	-	6	6
10	10	E-AD-7016391-0-0	7016391-03	BA11-A BOX ASSY	-	-	-	-	-	-	-	1	1
11	11	E-UA-H7140-0-0	H7140-DA	H7140 EXCEPT +12V/-15V BATT,120V	-	-	-	-	-	-	-	1	-
12	12	E-UA-H7140-0-0	H7140-DB	H7140 EXCEPT +12V/-15V BATT,240V	-	-	-	-	-	-	-	-	1
13	13	D-IA-7426283-0-0	7426283-01	COVER,CABLE COMPARTMENT	-	-	-	-	-	-	-	1	1
14	14		9009701-00	SCREW,SEMS PAN PHIL 6-	-	-	-	-	-	-	-	4	4
15	15	B-DD-BA11-AE	OBA11-AE	10.5" EXPANSION BOX W H7140-BA P	-	-	REF	REF	REF	REF	-	-	-
16	16	E-UA-H7140-0-0	H7140-AA	H7140 W 120V LINE CORD,50/60HZ	1	-	-	-	-	-	-	-	-

REVISION HISTORY		BASIC PART NO: OBA11		DRN: S. CHARTIER	DATE: 16-APR-82	DIGITAL				
ENG	ECO NUMBER	REV	SECTION A OF A	CHK'D: T. MCCULLOUGH	DATE: 16-APR-82	TITLE		PARTS LIST		
---	INITIAL	A	SECTION VARIATION INDEX	DES.ENG.: R. BOUDREAU	DATE: 16-APR-82	BA11-A UNIT ASSY				
RM	BA11-A-ML002	B	[A] AA,AB,AE,AF,AL,AM, AS,AT	RESP.ENG.: R. BOUDREAU	DATE: 16-APR-82	DOCUMENT NUMBER				
			[B]	MFG.ENG.: J. GALLANT	DATE: 16-APR-82	SIZE	CODE	NUMBER	REV	
			[C]	ASSEMBLY NUMBER:	TOP DOCUMENT NUMBER:	K	PL	BA11-A-DBP	B	
			[D]	E-UA-BA11-A-0				FILE NAME:	EDIT #	
			[E]					Z3630B.PLS	6	
			[F]							

"THIS DRAWING AND SPECIFICATIONS HEREIN, ARE THE PROPERTY OF DIGITAL EQUIPMENT CORPORATION AND SHALL NOT BE REPRODUCED OR COPIED OR USED IN WHOLE OR IN PART AS THE BASIS FOR THE MANUFACTURE OR SALE OF ITEMS WITHOUT WRITTEN PERMISSION. COPYRIGHT (C) 1983. DIGITAL EQUIPMENT CORPORATION"

CHK HH 13

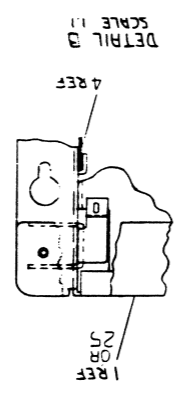
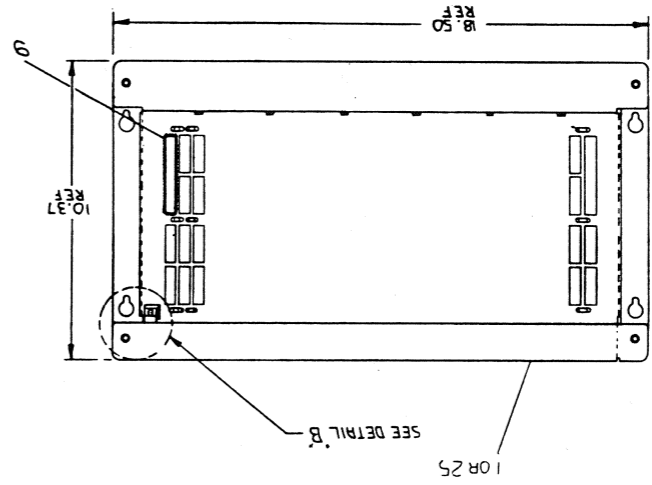
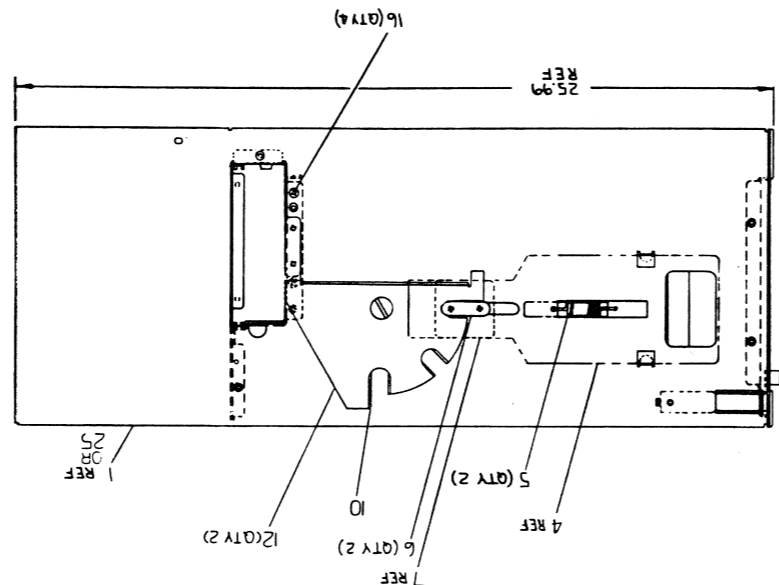
1	BAI-A	BAI-A-01	1
2	BAI-A	BAI-A-02	1
3	BAI-A	BAI-A-03	1
4	BAI-A	BAI-A-04	1
5	BAI-A	BAI-A-05	1
6	BAI-A	BAI-A-06	1
7	BAI-A	BAI-A-07	1
8	BAI-A	BAI-A-08	1
9	BAI-A	BAI-A-09	1
10	BAI-A	BAI-A-10	1
11	BAI-A	BAI-A-11	1
12	BAI-A	BAI-A-12	1
13	BAI-A	BAI-A-13	1
14	BAI-A	BAI-A-14	1
15	BAI-A	BAI-A-15	1
16	BAI-A	BAI-A-16	1
17	BAI-A	BAI-A-17	1
18	BAI-A	BAI-A-18	1
19	BAI-A	BAI-A-19	1
20	BAI-A	BAI-A-20	1
21	BAI-A	BAI-A-21	1
22	BAI-A	BAI-A-22	1
23	BAI-A	BAI-A-23	1
24	BAI-A	BAI-A-24	1
25	BAI-A	BAI-A-25	1

1	BAI-A	BAI-A-01	1
2	BAI-A	BAI-A-02	1
3	BAI-A	BAI-A-03	1
4	BAI-A	BAI-A-04	1
5	BAI-A	BAI-A-05	1
6	BAI-A	BAI-A-06	1
7	BAI-A	BAI-A-07	1
8	BAI-A	BAI-A-08	1
9	BAI-A	BAI-A-09	1
10	BAI-A	BAI-A-10	1
11	BAI-A	BAI-A-11	1
12	BAI-A	BAI-A-12	1
13	BAI-A	BAI-A-13	1
14	BAI-A	BAI-A-14	1
15	BAI-A	BAI-A-15	1
16	BAI-A	BAI-A-16	1
17	BAI-A	BAI-A-17	1
18	BAI-A	BAI-A-18	1
19	BAI-A	BAI-A-19	1
20	BAI-A	BAI-A-20	1
21	BAI-A	BAI-A-21	1
22	BAI-A	BAI-A-22	1
23	BAI-A	BAI-A-23	1
24	BAI-A	BAI-A-24	1
25	BAI-A	BAI-A-25	1

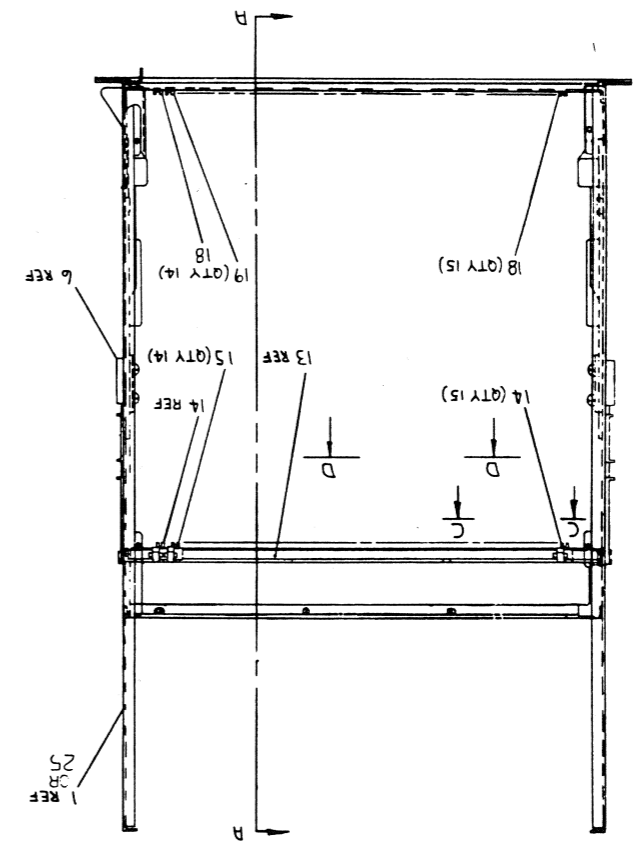
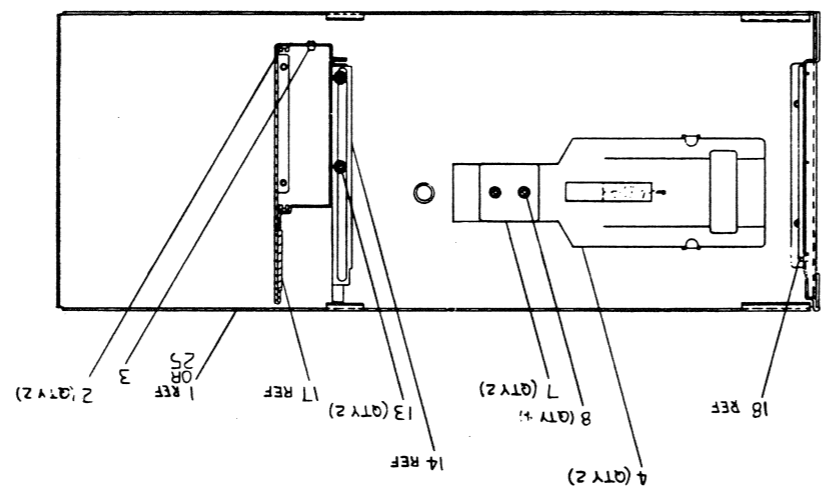
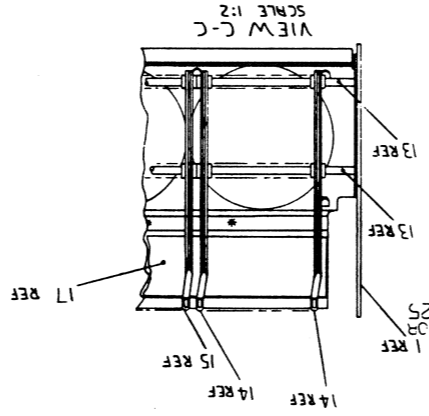
CAUTION: OFF SHEET PARTS LIST
EXIST SEE K-PL-706391-0-DB9
(Z3626)

LEGEND

706391-03	BAI-A BOX, W/FANS
706391-02	BAI-A BOX, W/QUIET FANS
706391-01	BAI-A BOX, W/O FANS
706391-03	BAI-A BOX, W/FANS
706391-03	BAI-A BOX, W/FANS

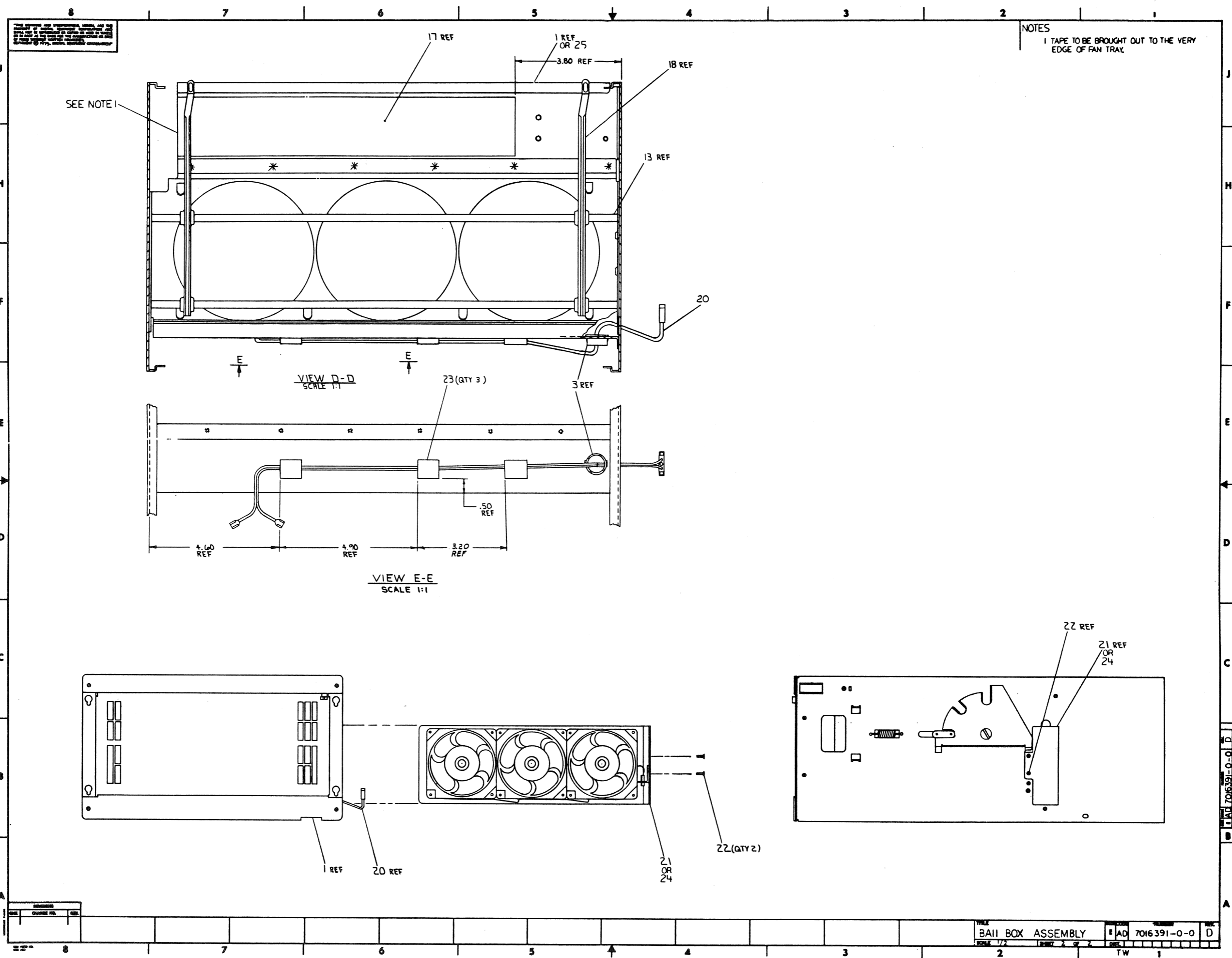


SECTION A-A
SHOWN ROTATED 90° CLOCKWISE



NOTES:

BAI-A BOX ASSEMBLY



NOTES
 1 TAPE TO BE BROUGHT OUT TO THE VERY
 EDGE OF FAN TRAY.

SEE NOTE 1

VIEW D-D
 SCALE 1:1

VIEW E-E
 SCALE 1:1

DIGITAL EQUIPMENT CORPORATION

PARTS LIST

MADE BY J. NAGLE

DATE 8 JUNE 1979

ENG Ren
DATE 6/24/79

DATE 6/24/79

CHECKED *[Signature]* DATE 6/29/79

PROD *[Signature]* DATE 6/24/79

ISSUED SECTION

SECTION

ITEM NO. DRAWING NO. PART NO. DESCRIPTION

1	E-IA-7016493-0-0		BATT BOX FRAME ASSY	1
2		9010107-00	CARD GUIDE (FAN TRAY)	2
3		9007783-00	SNAP BUSHING	1
4		1216189	RETRACTOR, SLIDE PAWL	2
5		1216190	SPRING, SLIDE PAWL	2
6	B-MD-7421611-0-0		SLIDE PAWL	2
7	B-MD-7421444-0-0		PLATE, SLIDE NUT	2
8		1216785	SEMS SCREW, PHIL TRUSS HD #10-32X.437 INT TOOTH	4
9		9007035-00	GROMMET, CATAPILLER TYPE 5.70 INCHES	1
10	D-MD-7421613-0-0		PLATE, SLIDE INDEX, RIGHT HAND	1
11	D-MD-7421613-0-1		PLATE, SLIDE INDEX, LEFT HAND	1
12		1216197	PIVOT SCREW	2
13	B-MD-7421612-0-0		BAR, GUIDE MOUNTING	2
14		1215848-0	CARD GUIDE (NATURAL)	15
15		1215848-1	CARD GUIDE (BLACK)	14
16		9010118-00	SCREW, NYLOCK 100° C SINK PHL P HD .31X#10-32	4
17		9009087	FOAM TAPE, .125 X 2.10 X 12"	1
18		1212405-0	CARD GUIDE (SNAP IN) WHITE	15
19		1212405-10	CARD GUIDE (SNAP IN) BLACK	14
20	C-IA-7016901-0-0		FAN POWER HARNESS	1
21	D-AD-7016472-0-0		FAN TRAY ASSY	1
22		9010120-00	SCREW 6-32 X .187 NYLOCK	2
23		9009636-00	CABLE CLAMP	3

QUANTITY / VARIATION

NOTES:

REF DESIGNATION

E.CO. NO.
TW001

"THIS DRAWING AND SPECIFICATIONS, HEREIN, ARE THE PROPERTY OF DIGITAL EQUIPMENT CORPORATION AND SHALL NOT BE REPRODUCED OR COPIED OR USED IN WHOLE OR IN PART AS THE BASIS FOR THE MANUFACTURE OR SALE OF ITEMS WITHOUT WRITTEN PERMISSION. COPYRIGHT © 1979 DIGITAL EQUIPMENT CORPORATION"

TITLE
BATT BOX ASSEMBLY

ASSY NO. E-AD-7016391-0-0

SIZE B
CODE PL

NUMBER 7016391-0-0

REV. A

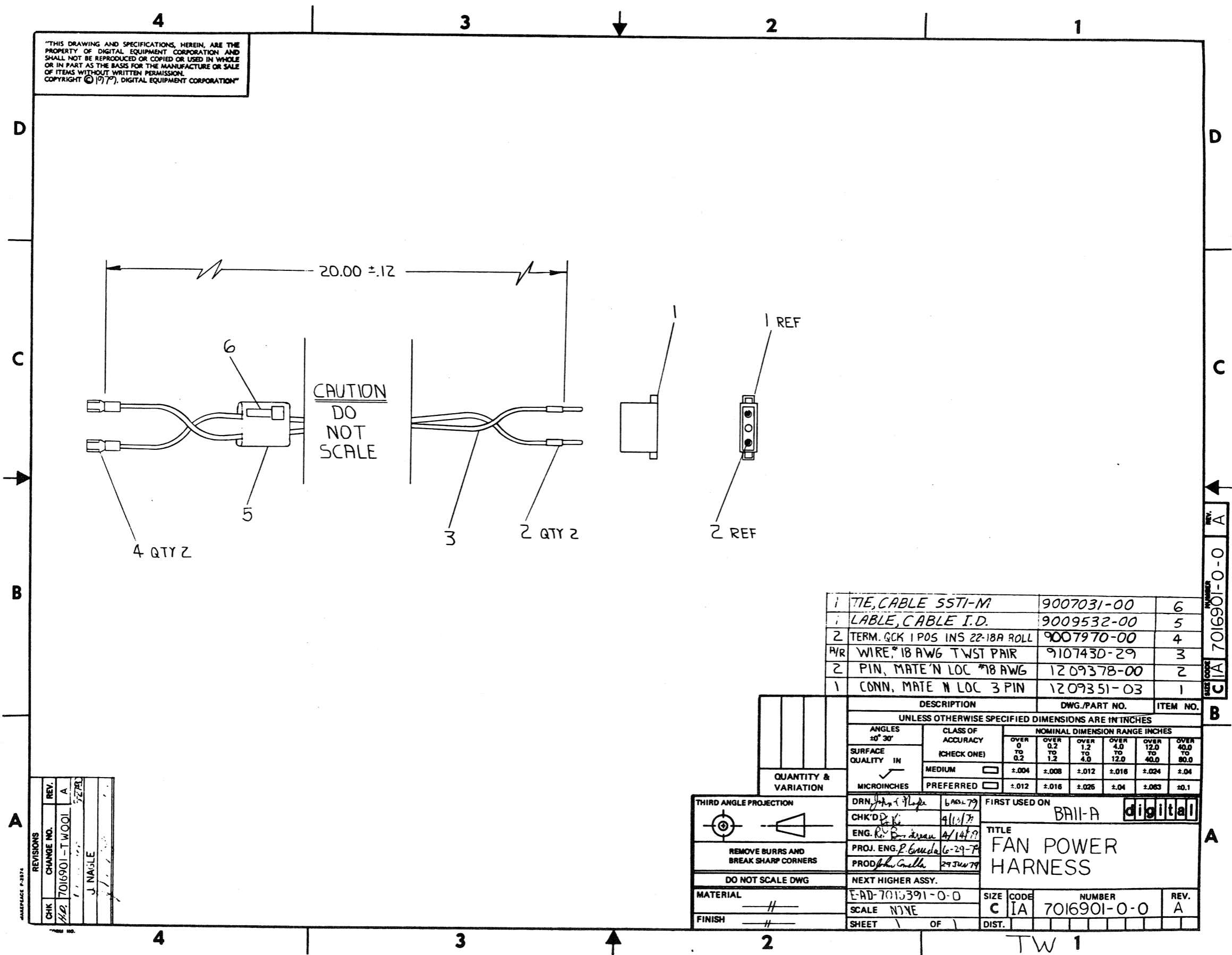
INSERTION PARTS LIST DATA BASE REV

SHEET 1 OF 1

TW

DRB 125

"THIS DRAWING AND SPECIFICATIONS, HEREIN, ARE THE PROPERTY OF DIGITAL EQUIPMENT CORPORATION AND SHALL NOT BE REPRODUCED OR COPIED OR USED IN WHOLE OR IN PART AS THE BASIS FOR THE MANUFACTURE OR SALE OF ITEMS WITHOUT WRITTEN PERMISSION. COPYRIGHT © (1977), DIGITAL EQUIPMENT CORPORATION"



REV.	CHG	NO.	DATE	BY	CHK
A		1	5/27/78	J. NAGLE	

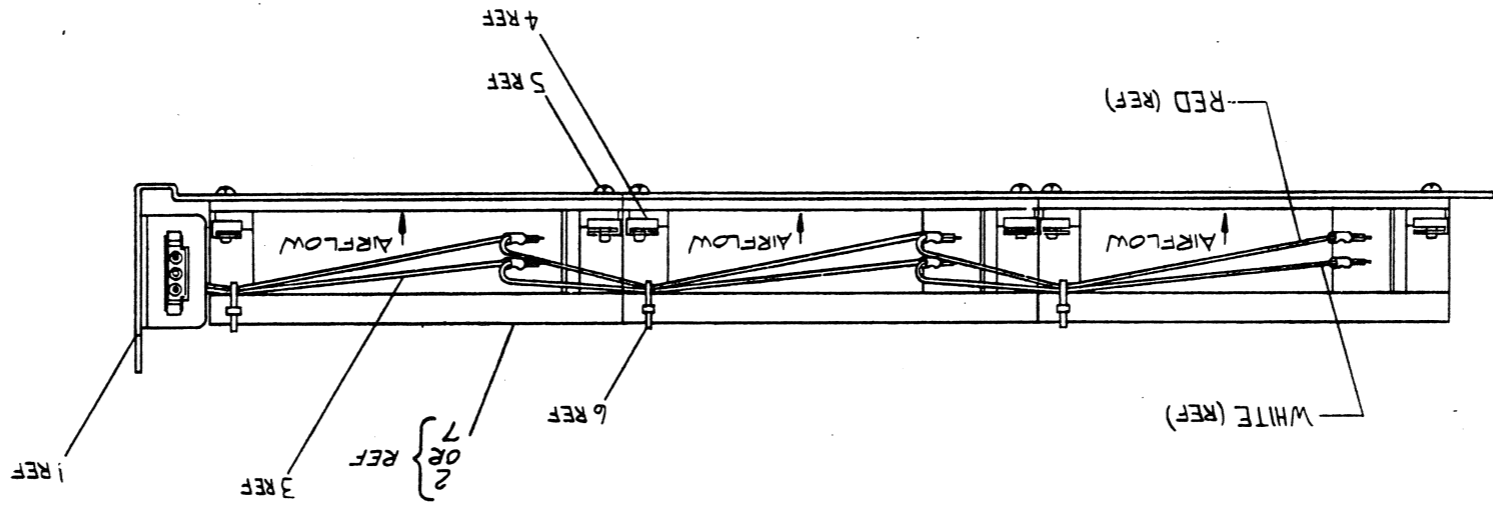
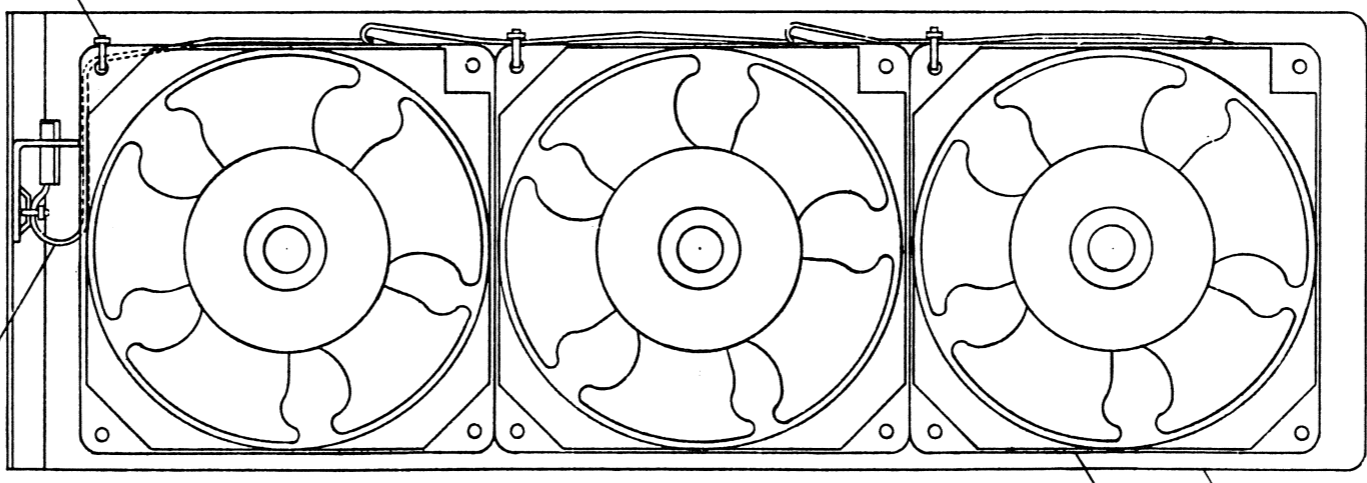
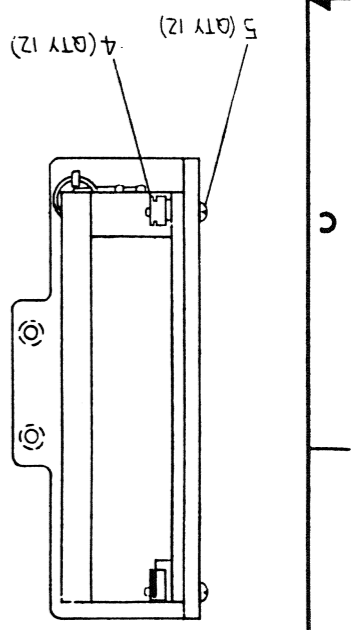
QTY	DESCRIPTION	DWG./PART NO.	ITEM NO.
6	TIE, CABLE SSTI-M	9007031-00	6
5	LABLE, CABLE I.D.	9009532-00	5
4	TERM. GCK 1 POS INS 22-18A ROLL	9007970-00	4
3	WIRE, #18 AWG TWST PAIR	9107430-29	3
2	PIN, MATE'N LOC #18 AWG	1209378-00	2
1	CONN, MATE'N LOC 3 PIN	1209351-03	1

DESCRIPTION		DWG./PART NO.	ITEM NO.
UNLESS OTHERWISE SPECIFIED DIMENSIONS ARE IN INCHES			
ANGLES 10° 30'	CLASS OF ACCURACY (CHECK ONE)	NOMINAL DIMENSION RANGE INCHES	
SURFACE QUALITY IN MICROINCHES	MEDIUM <input type="checkbox"/>	OVER 0 TO 0.2	OVER 0.2 TO 1.2
	PREFERRED <input type="checkbox"/>	OVER 1.2 TO 4.0	OVER 4.0 TO 12.0
		OVER 12.0 TO 40.0	OVER 40.0 TO 80.0
		±.004 ±.008 ±.012 ±.016 ±.024 ±.04	±.012 ±.016 ±.025 ±.04 ±.063 ±.1
THIRD ANGLE PROJECTION	DRN <i>J. Nagle</i> 6 APR 79	FIRST USED ON	B111-A digital
REMOVE BURRS AND BREAK SHARP CORNERS	CHK'D <i>P. K.</i> 4/11/78	TITLE	FAN POWER HARNESS
DO NOT SCALE DWG	ENG. <i>R. D. ...</i> 4/14/78	PROJ. ENG. <i>P. ...</i> 6-29-78	PROD. <i>J. ...</i> 29 JUN 79
MATERIAL	DO NOT SCALE DWG	NEXT HIGHER ASSY.	
FINISH	E-AD-7016391-0-0	SCALE NONE	SIZE CODE C IA
	SHEET 1 OF 1	DIST.	NUMBER 7016901-0-0

REV. A
7016901-0-0

TW 1

THIS DRAWING AND SPECIFICATIONS HEREIN ARE THE PROPERTY OF DIGITAL EQUIPMENT CORPORATION AND SHALL NOT BE REPRODUCED OR TRANSMITTED IN ANY FORM OR BY ANY MEANS, ELECTRONIC OR MECHANICAL, INCLUDING PHOTOCOPYING, RECORDING, OR BY ANY INFORMATION STORAGE AND RETRIEVAL SYSTEM, WITHOUT WRITTEN PERMISSION FROM DIGITAL EQUIPMENT CORPORATION.



LEGEND

PART NUMBER	VAR.
7016472-00	110 CFM (35V)
7016472-01	117 CFM (35V)

FINISH	
SCALE 1:1	
SHEET 1 OF 1	
MATERIAL	
DO NOT SCALE DIMS	
NEXT HIGHER ASSY.	
NEXT LOWER ASSY.	
PROL. ENGR. DATE	
CHK'D BY DATE	
DRN. DATE	
TITLE	
FAN TRAY ASSEMBLY	
REV. C	
DWT. 7016472-0-0	

CLASS OF	ACCURACY	QUALITY IN	MEDIUM	PREFERRED	VARIATION
ANGLES	0	13	13	13	13
SURFACE	0	13	13	13	13
CHECK (M)	0	13	13	13	13
QUANTITY	0	13	13	13	13
UNLESS OTHERWISE SPECIFIED DIMENSIONS ARE IN INCHES					
NOMINAL DIMENSION RANGE IN INCHES					
CLASS OF	ACCURACY	QUALITY IN	MEDIUM	PREFERRED	VARIATION
ANGLES	0	13	13	13	13
SURFACE	0	13	13	13	13
CHECK (M)	0	13	13	13	13
QUANTITY	0	13	13	13	13

ITEM NO.	DESCRIPTION	DWG/PART NO.
1	FAN TRAY & BRKT ASSY	D-AD-7016376-01
2	FAN 35V 70 HZ 50 WAVE	1216525-00
3	CABLE FAN ASSEMBLY	14-7016392-0-0
4	CLIP FAN	9009165-00
5	SCREW TRUSS HD 6-32x62	9006025-03
6	TIE WRAP	9007031-00

(CAUTION: OFF SHEET PARTS LIST EXISTS, SEE K-PL-7016472-0-DBP, (25539C.PLS).)

REVISIONS

CHG.	CHANGE NO.	REV.
	BAL-A-TW001	A
W. R. HALL		
W. R. HALL		
W. R. HALL		
R. MORIN		

DWT. 7016472-0-0

AUTOMATED BY PRTLST.4Q(50)

PARTS LIST

SHEET A1 OF A1

LINE	ITEM	DOCUMENT NUMBER	PART NUMBER	DESCRIPTION	QUANTITY PER VARIATION	
					00	01
1	1	D-AD-7016376-0-0	7016376-00	FAN TRAY + BRACKET ASSY	1	1
2	2		1216563-00	FAN,TUBE AXIAL 4.5" 110CFM 35V	3	-
3	3	D-IA-7016392-0-0	7016392-00	FAN-HARNESS ASSY	1	1
4	4		9009165-00	CLIP, FAN MOUNTING (12-05033 FAN	12	12
5	5		9005023-03	SCREW,MACH TRUSS PHIL 6-	12	12
6	6		9007031-00	TIE,CABLE BUNDL.DIA 0- 3/4"=101	4	4
7	7		1216563-01	FAN,TUBE AXIAL 4.5" 117CFM 35V	-	3

REVISION HISTORY			BASIC PART NO: 7016472			DRN: A.RUSZCZYK			DATE: 26-APR-83			D I G I T A L					
ENG	ECO NUMBER	REV	SECTION A OF A			CHK'D:	T.MCCULLOUGH			DATE: 26-APR-83			TITLE PARTS LIST				
	INITIAL	C	SECTION VARIATION INDEX										FAN TRAY ASSEMBLY				
			[A] 00,01				DES.ENG.: R.BOUDREAU			DATE: 26-APR-83			DOCUMENT NUMBER				
			[B]				RESP.ENG.: R.MORIN			DATE: 26-APR-83			SIZE CODE NUMBER REV				
			[C]				MFG.ENG.: J.AVILES			DATE: 26-APR-83			K PL 7016472-0-DBP C				
			[D]			ASSEMBLY NUMBER:			TOP DOCUMENT NUMBER:			FILE NAME			EDIT #		
			[E]			D-AD-7016472-0-0			E-AD-7016391-0-0			Z5539C.PLS			5		
			[F]			"THIS DRAWING AND SPECIFICATIONS HEREIN, ARE THE PROPERTY OF DIGITAL EQUIPMENT CORPORATION AND SHALL NOT BE REPRODUCED OR COPIED OR USED IN WHOLE OR IN PART AS THE BASIS FOR THE MANUFACTURE OR SALE OF ITEMS WITHOUT WRITTEN PERMISSION. COPYRIGHT (C) 1983. DIGITAL EQUIPMENT CORPORATION "											