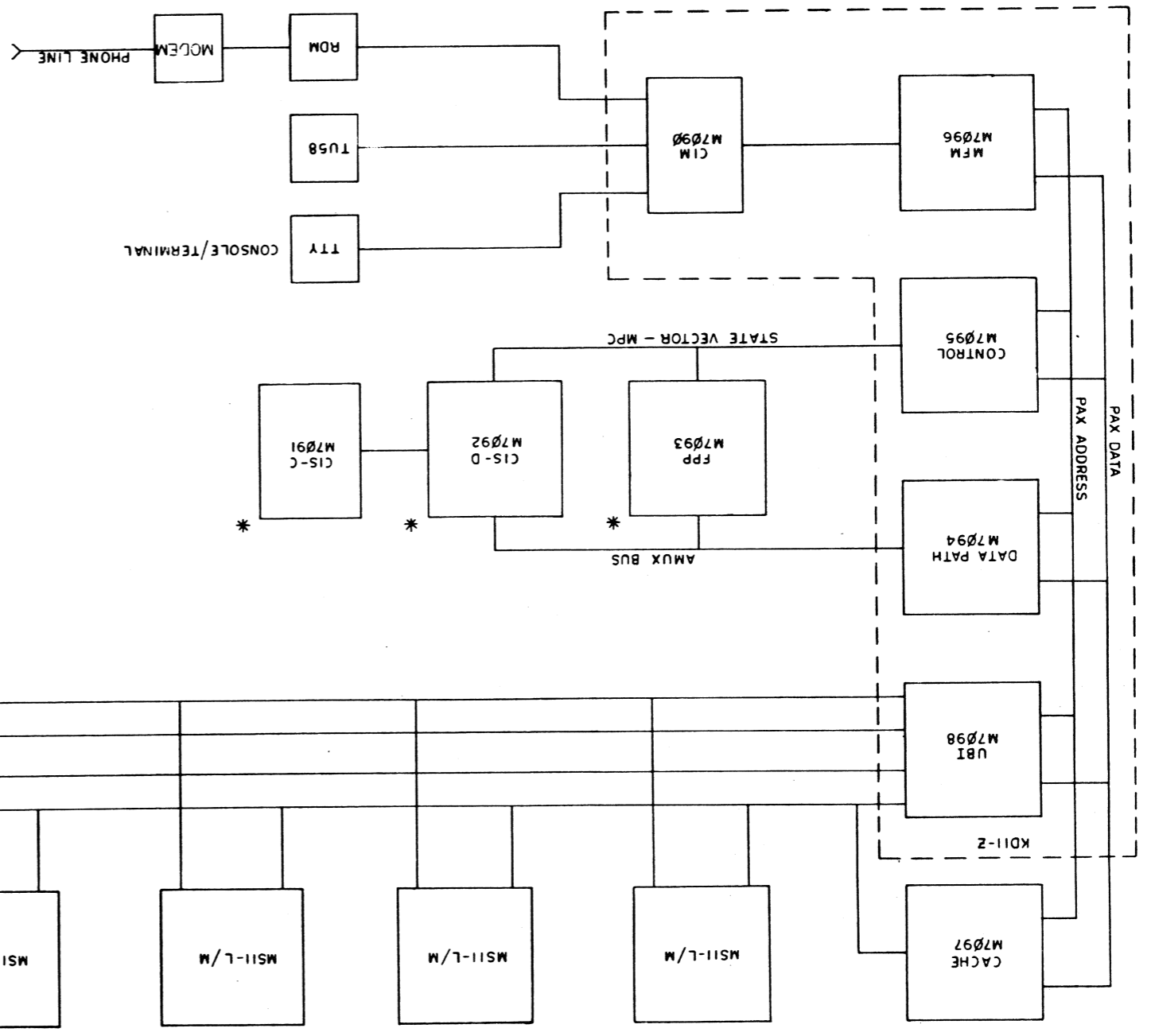


REV.	CHANGED NO.	DATE

REV.	NO.	DATE
*	1	11/44-0-2
SIZE CODE D		
NEXT HIGHER ASSY.		
PROJ. ENG. [Signature]		
ENGR. [Signature]		
CHK'D. [Signature]		
APPROV. [Signature]		
TITLE		
11/44 SYSTEM BLOCK DIAGRAM		
FIRST USED ON		
DIST.		

* INDICATES OPTION TO BASE MACHINE



THIS DRAWING AND SPECIFICATION HEREBY ARE THE PROPERTY OF DIGITAL EQUIPMENT CORPORATION AND SHALL NOT BE REPRODUCED OR COPIED IN WHOLE OR IN PART WITHOUT WRITTEN PERMISSION. DIGITAL EQUIPMENT CORPORATION © 1974

D BD 11/44-0-2

D BD 11/44-0-2