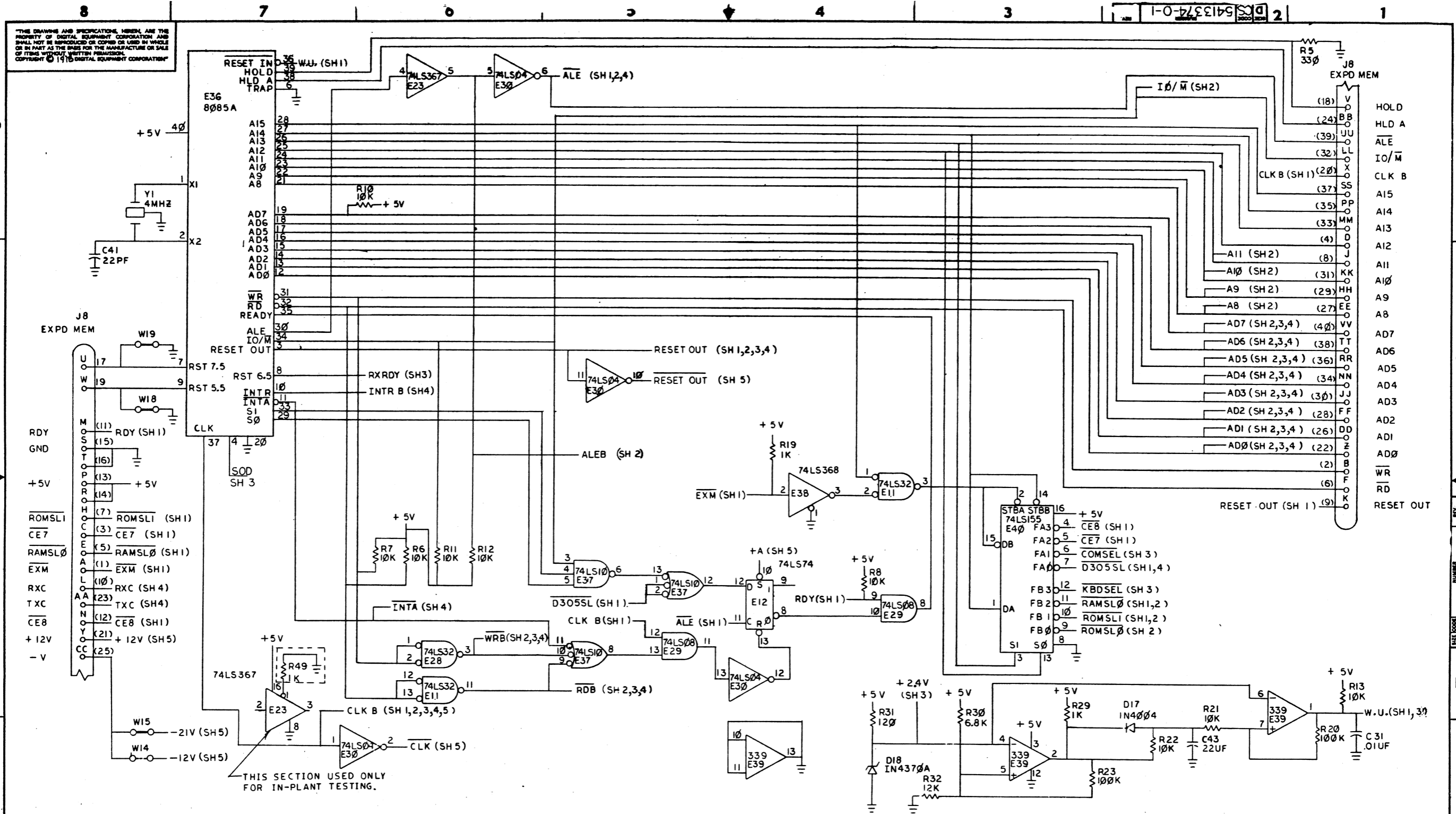


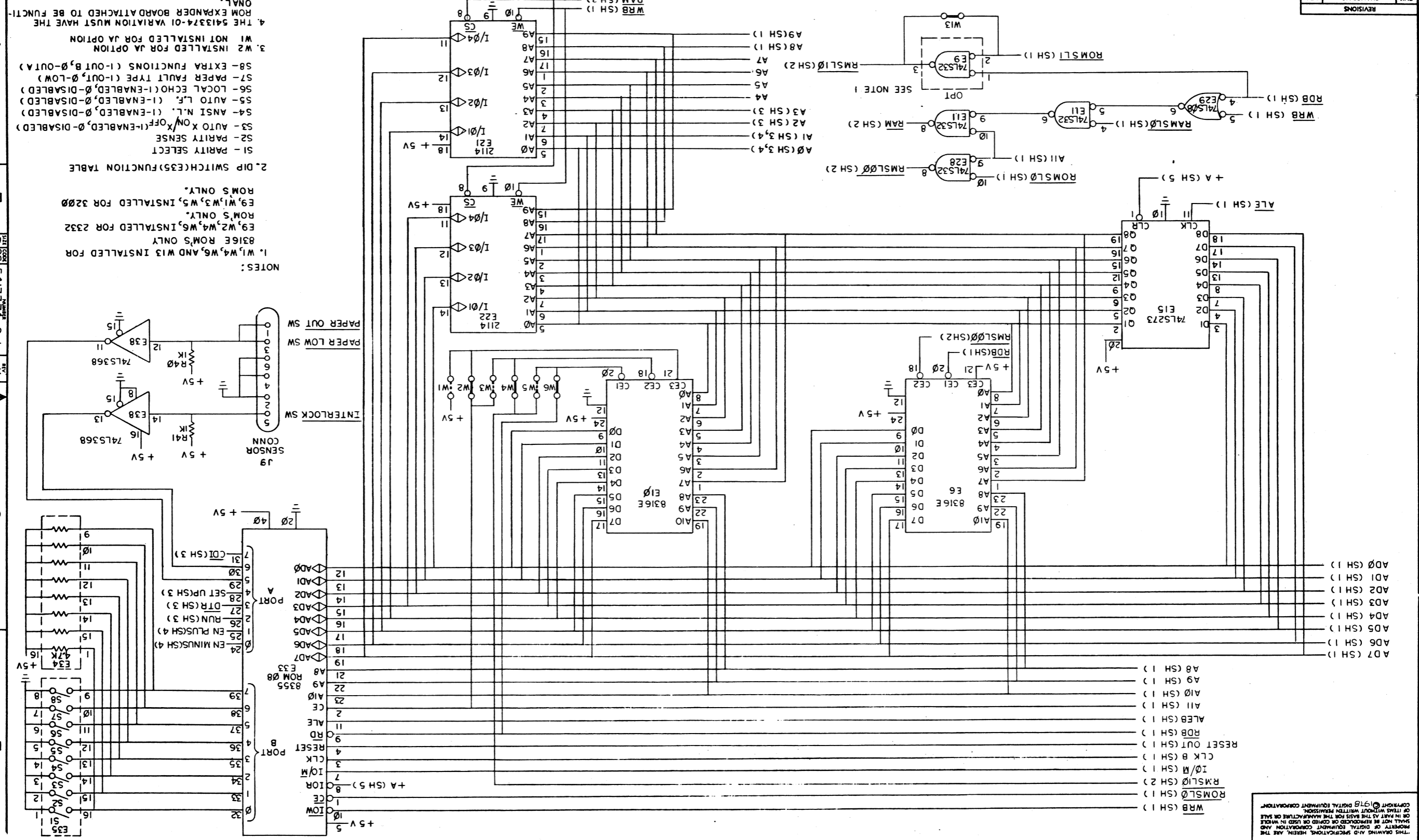
THE DRAWING AND SPECIFICATIONS HEREIN ARE THE PROPERTY OF DIGITAL EQUIPMENT CORPORATION AND SHALL NOT BE REPRODUCED OR COPIED OR USED IN WHOLE OR IN PART AS THE BASIS FOR THE MANUFACTURE OR SALE OF ITEMS WITHOUT WRITTEN PERMISSION. COPYRIGHT © 1976 DIGITAL EQUIPMENT CORPORATION



REV.	CHG.	NO.	BY	DATE	DESCRIPTION
1	1	1	J. BITTO	12/15/74	INITIAL DESIGN
2	1	2	J. BITTO	1/10/75	REVISED FOR MANUFACTURE
3	1	3	J. BITTO	2/10/75	REVISED FOR MANUFACTURE
4	1	4	J. BITTO	3/10/75	REVISED FOR MANUFACTURE
5	1	5	J. BITTO	4/10/75	REVISED FOR MANUFACTURE
6	1	6	J. BITTO	5/10/75	REVISED FOR MANUFACTURE
7	1	7	J. BITTO	6/10/75	REVISED FOR MANUFACTURE
8	1	8	J. BITTO	7/10/75	REVISED FOR MANUFACTURE

DRM	LA34	FIRST USED ON	LA34
CHKD	LA34	TITLE	LA34
ENG	LA34	LOGIC BOARD	
PROJ. ENG	LA34		
NEXT HIGHER ASSY.			
B-DD-5413374-0	SIZE CODE	NUMBER	REV.
SCALE	D	CS 5413374-0-1	Y
SHEET 1	OF 5		

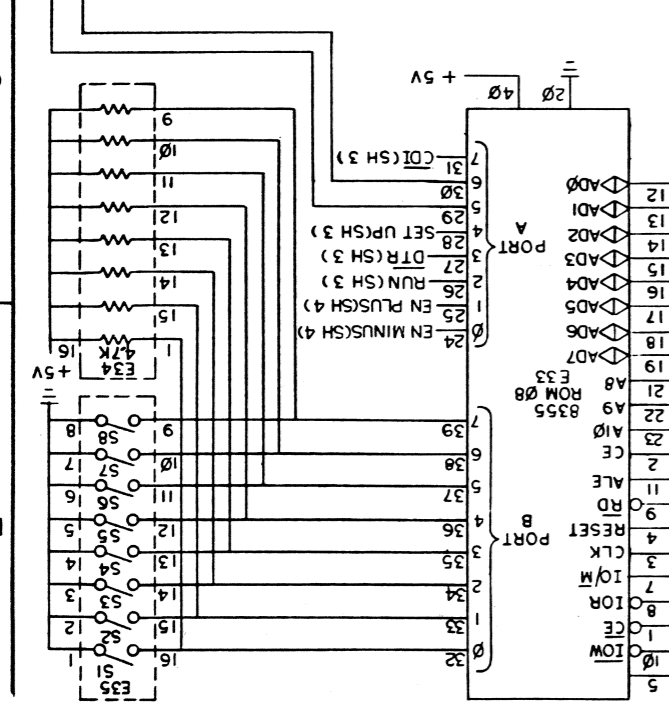
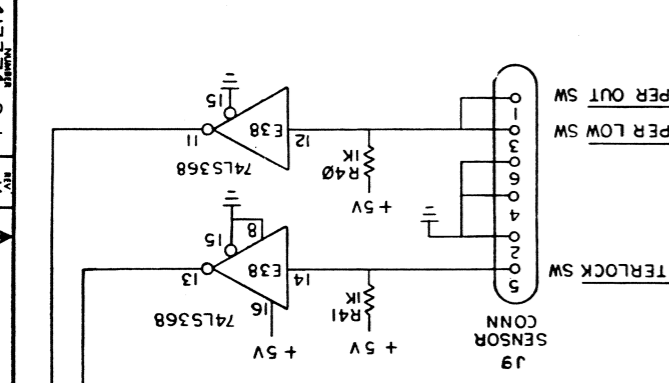
REV.	CHANGE NO.	REVISIONS



NOTES:

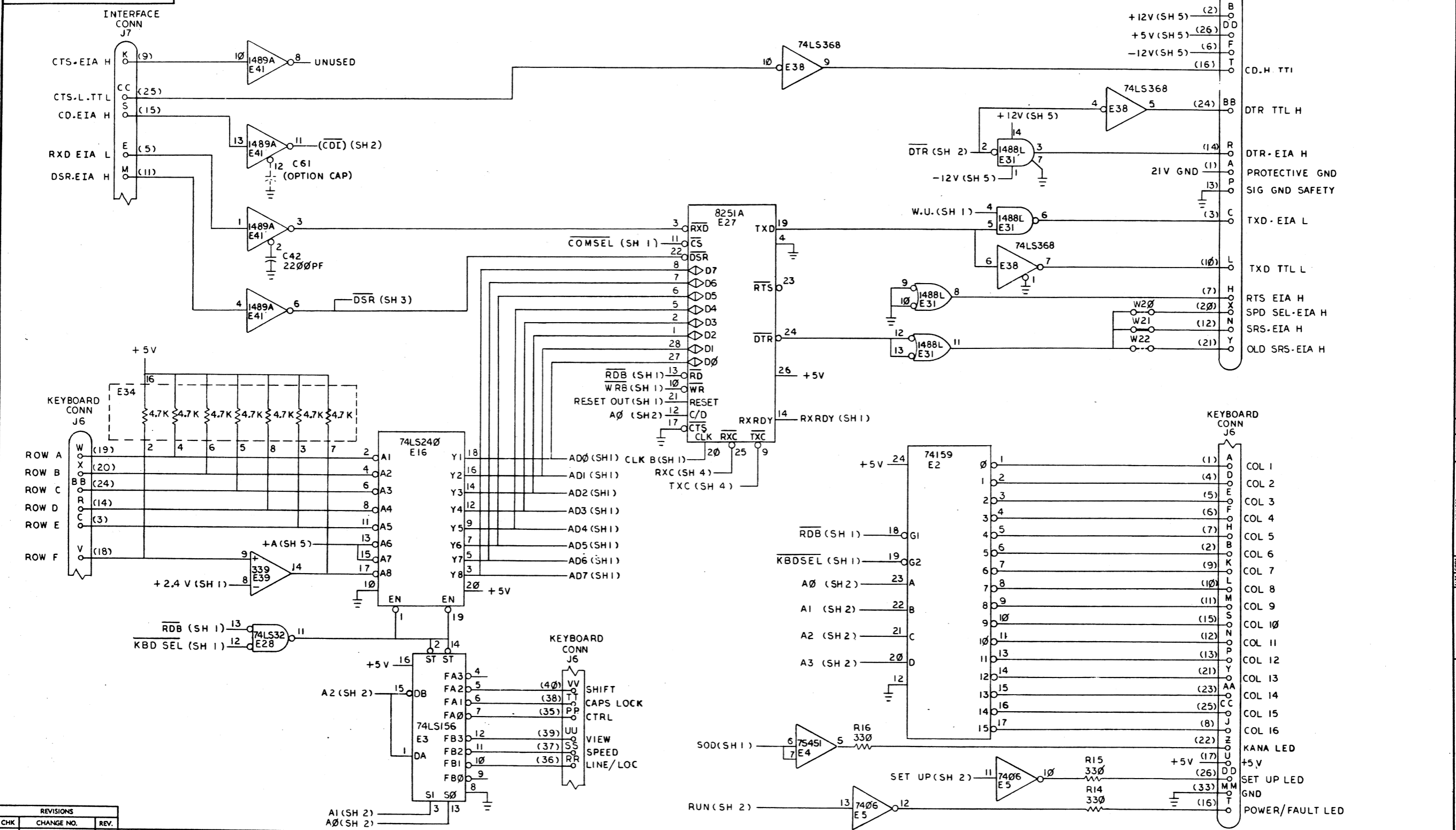
1. W1, W4, W6, AND W13 INSTALLED FOR 8316 ROM'S ONLY.
2. DIP SWITCH(E35) FUNCTION TABLE
3. W2 INSTALLED FOR JA OPTION
4. THE 5413374-01 VARIATION MUST HAVE THE ROM EXPANDER BOARD ATTACHED TO BE FUNCTIONAL.

8316 ROM'S ONLY
 E9, W2, W4, W6, INSTALLED FOR 2332 ROM'S ONLY.
 E9, W1, W3, W5, INSTALLED FOR 3200 ROM'S ONLY.



THIS DRAWING AND SPECIFICATIONS HEREIN ARE THE PROPERTY OF DIGITAL EQUIPMENT CORPORATION AND SHALL NOT BE REPRODUCED OR USED IN WHOLE OR IN PART AS THE BASIS FOR THE MANUFACTURE OR SALE OF ITEMS WITHOUT WRITTEN PERMISSION. COPYRIGHT © 1978 DIGITAL EQUIPMENT CORPORATION.

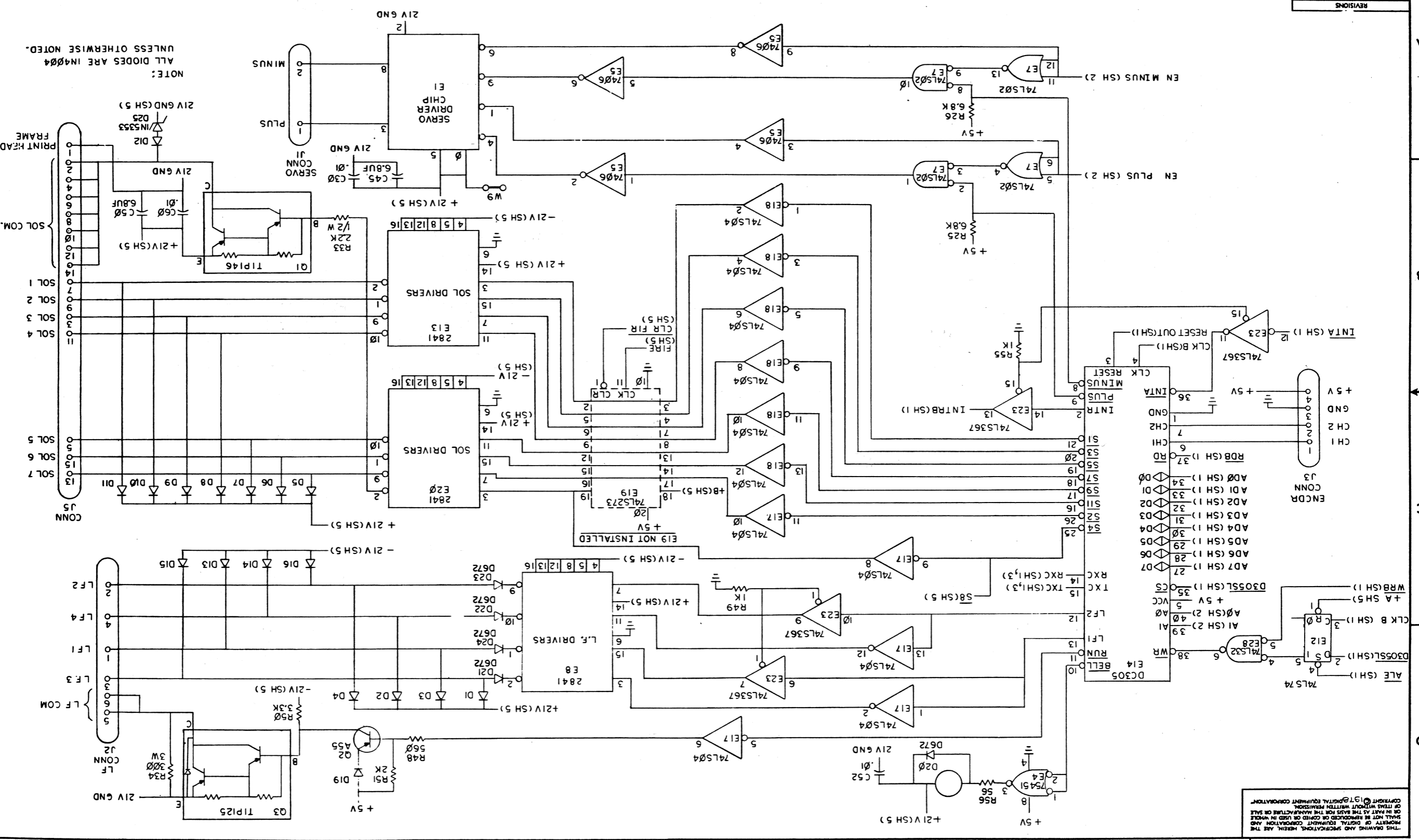
"THIS DRAWING AND SPECIFICATIONS, HEREIN, ARE THE PROPERTY OF DIGITAL EQUIPMENT CORPORATION AND SHALL NOT BE REPRODUCED OR COPIED OR USED IN WHOLE OR IN PART AS THE BASIS FOR THE MANUFACTURE OR SALE OF ITEMS WITHOUT WRITTEN PERMISSION. COPYRIGHT © 1975 DIGITAL EQUIPMENT CORPORATION"



REVISIONS		
CHK	CHANGE NO.	REV.

REV.	CHG. NO.	REV.

TITLE: LA34 LOGIC BOARD
 NUMBER: DCS 5413374-0-1
 SHEET: 4 OF 5
 SCALE: 1:1
 DIST. NO. 1



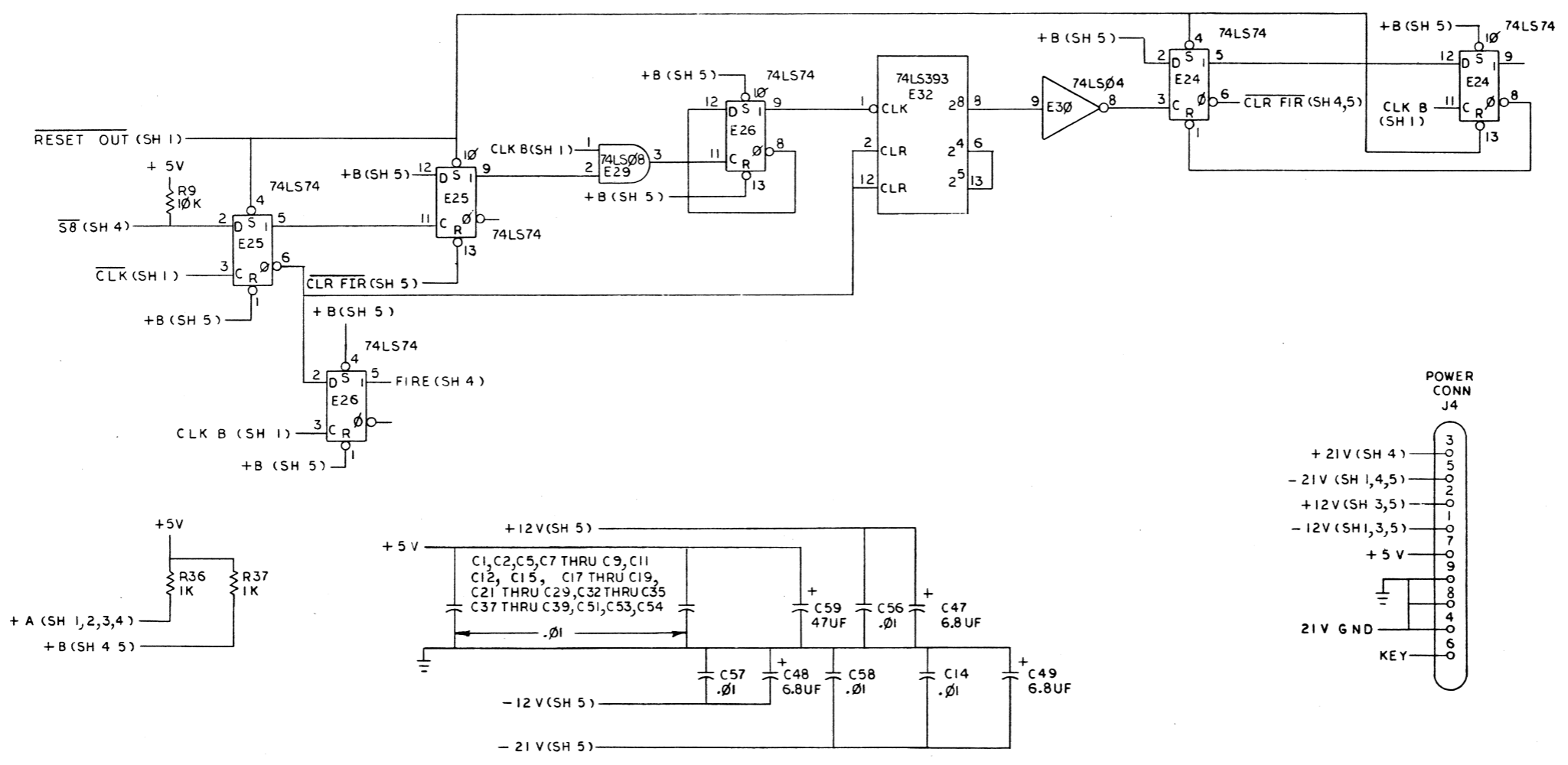
NOTE:
 ALL DIODES ARE IN4004
 UNLESS OTHERWISE NOTED.

THIS DRAWING AND SPECIFICATIONS, HEREIN, ARE THE PROPERTY OF DIGITAL EQUIPMENT CORPORATION AND SHALL NOT BE REPRODUCED OR COPIED IN WHOLE OR IN PART AS THE BASIS FOR THE MANUFACTURE OR SALE OF ITEMS WITHOUT WRITTEN PERMISSION. COPYRIGHT © 1970 DIGITAL EQUIPMENT CORPORATION.

REV. A
 NUMBER 1-0-7433145
 SIZE CODE DCS

"THIS DRAWING AND SPECIFICATIONS, HEREIN, ARE THE PROPERTY OF DIGITAL EQUIPMENT CORPORATION AND SHALL NOT BE REPRODUCED OR COPIED OR USED IN WHOLE OR IN PART AS THE BASIS FOR THE MANUFACTURE OR SALE OF ITEMS WITHOUT WRITTEN PERMISSION. COPYRIGHT © 1978 DIGITAL EQUIPMENT CORPORATION"

NOTE:
IC'S E24, E25, 26, E32 AND R37 NOT INSTALLED.



REVISIONS		
CHK	CHANGE NO.	REV.

TITLE	LA34 LOGIC BOARD	SIZE CODE	NUMBER	REV.
SCALE	SHEET 5 OF 5	DCS	5413374-0-1	Y
DIST.		PN 1		

REV. Y DCS 5413374-0-1

5013283E 5413284

SIDE 1

digital

1 18 J2

D7 D6 D5 D4 D3 D2 D1

CS*ABCDEFHJ
40 J1

5013283E 5413284

SIDE 1

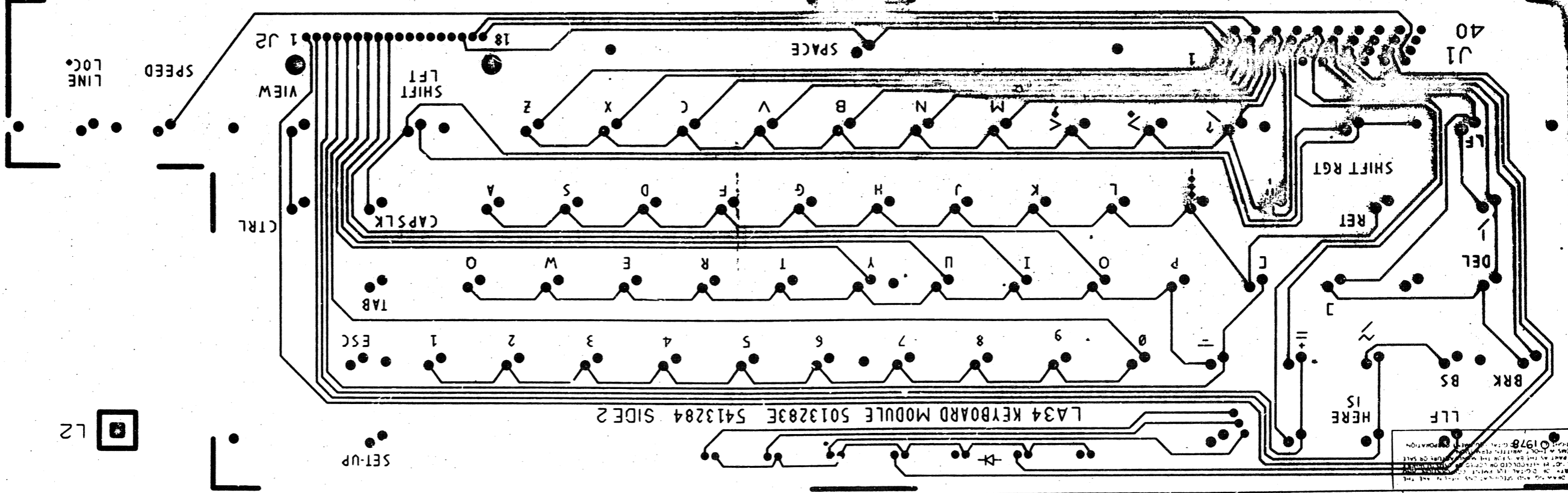
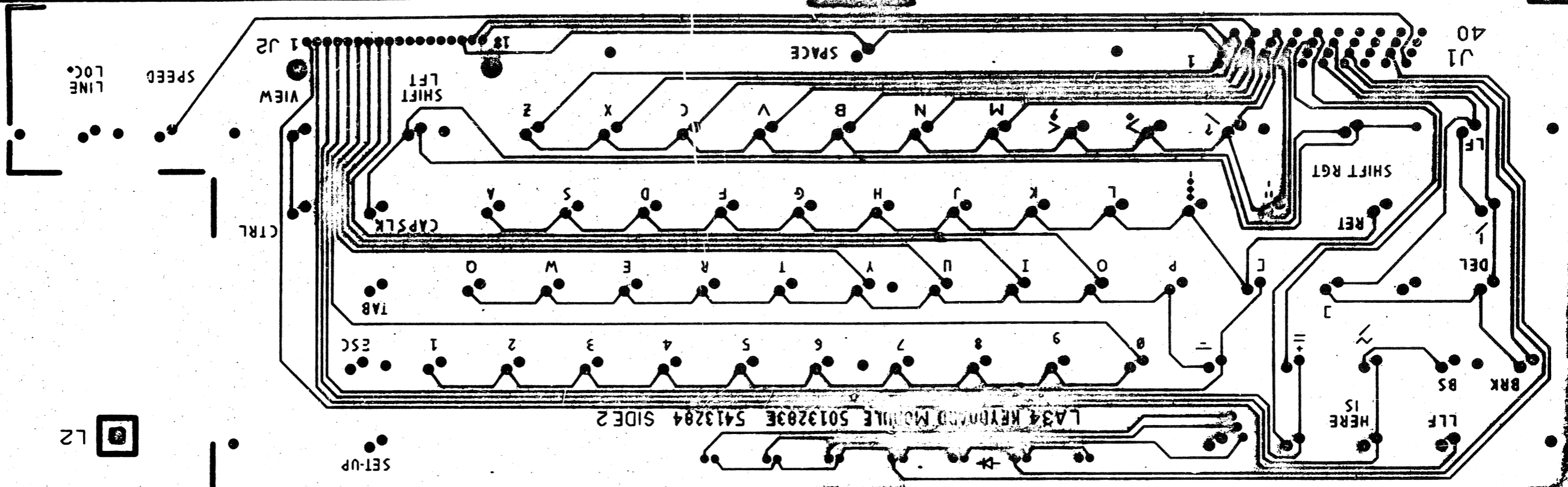
digital

1 18 J2

D7 D6 D5 D4 D3 D2 D1

CS*ABCDEFHJ
40 J1

TITLE	LA34 KEYBOARD MODULE	SIZE CODE	DUA	NUMBER	5413284-0-0	REV	F
SCALE	2/1	SHEET	2	OF	3	DIST	



© 1978
 ALL RIGHTS RESERVED
 MICROFILMED BY
 UNIVERSITY MICROFILMS
 SERIALS ACQUISITION
 DEPARTMENT
 300 NORTH ZEEB ROAD
 ANN ARBOR, MI 48106

LINE	ITEM	DOCUMENT NUMBER	PART NUMBER	DESCRIPTION	QTY PER VARIATION 00	REFERENCE DESIGNATOR
1	1		5013283-00	ETCH BOARD FOR 5413284	1	
2	2		1110864-00	LED 2MCD@10MA	5	D1-D5
3	3		1210073-00	CONN 40POS INSUL PIERCING	1	J1
4	4		1215324-01	CONN 18POS GOLD PLATED	1	J2
5	5		7013910-00	KEYBOARD ARRAY ASSY	1	
6	6		7015527-00	OPERATOR SWITCH ASSY	1	
7	7		9010033-00	SCREW,PAN,PHILLIPS, 4-24 X 3/8	6	

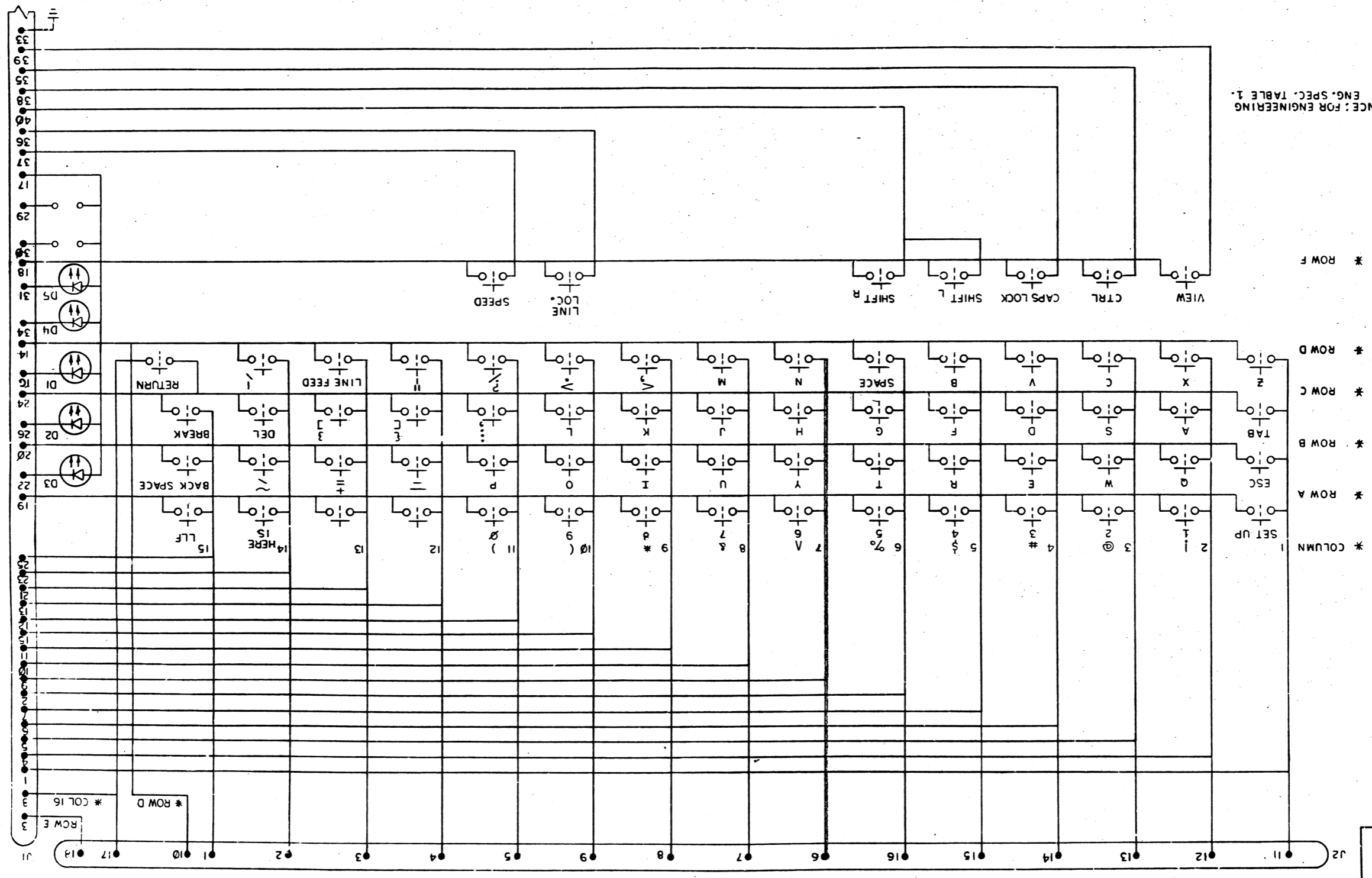
REVISION HISTORY		BASIC PART NO: 5413284		DRN:	M, RIPLEY	DATE:	17-MAY-78	D I G I T A L	
ENG:	ECO NUMBER	REV	SECTION A OF A	CHK'D:	B, DONOHUE	DATE:	22-JUN-78	TITLE	PARTS LIST
INIT									
LG	5413284-PN001	E	[A] 00					LA34 KEYBOARD MODULE	
EK	5413284-PN002	F	[B]						
			[C]	DES, ENG:	B, DONOHUE	DATE:	22-JUN-78		
			[D]						
			[E]						
			[F]	RESP, ENG.:	B, DONOHUE	DATE:	22-JUN-78		DOCUMENT NUMBER
			[H]						
			[J]					SIZE/CODE	NUMBER
			[K]	MFG, ENG.:	L, MION	DATE:	22-JUN-78	K	PL
			[L]					5413284-0-DBP	F
			[M]	ASSEMBLY NUMBER:		TOP DOCUMENT NUMBER:		FILE NAME:	EDIT #
			[N]	D-UA-5413284-0-0		LA34		13284F.PLS	16

"THIS DRAWING AND SPECIFICATIONS HEREIN, ARE THE PROPERTY OF DIGITAL EQUIPMENT CORPORATION AND SHALL NOT BE REPRODUCED OR COPIED OR USED IN WHOLE OR IN PART AS THE BASIS FOR THE MANUFACTURE OR SALE OF ITEMS WITHOUT WRITTEN PERMISSION. COPYRIGHT (C) 1981, DIGITAL EQUIPMENT CORPORATION"

REV	DATE	BY	CHKD
1		J. BIRRO	
2			
3			
4			
5			
6			
7			
8			
9			
10			
11			
12			
13			
14			
15			
16			
17			
18			
19			
20			
21			
22			
23			
24			
25			
26			
27			
28			
29			
30			
31			
32			
33			
34			
35			
36			
37			
38			
39			
40			
41			
42			
43			
44			
45			
46			
47			
48			
49			
50			
51			
52			
53			
54			
55			
56			
57			
58			
59			
60			
61			
62			
63			
64			
65			
66			
67			
68			
69			
70			
71			
72			
73			
74			
75			
76			
77			
78			
79			
80			
81			
82			
83			
84			
85			
86			
87			
88			
89			
90			
91			
92			
93			
94			
95			
96			
97			
98			
99			
100			

THIS DRAWING AND SPECIFICATION HEREBY ARE THE PROPERTY OF DIGITAL EQUIPMENT CORPORATION AND SHALL REMAIN THE PROPERTY OF THIS CORPORATION AND SHALL NOT BE REPRODUCED OR TRANSMITTED IN ANY FORM OR BY ANY MEANS, ELECTRONIC OR MECHANICAL, INCLUDING PHOTOCOPYING, RECORDING, OR BY ANY INFORMATION STORAGE AND RETRIEVAL SYSTEM, WITHOUT THE WRITTEN PERMISSION OF DIGITAL EQUIPMENT CORPORATION.

NOTE:
1. * REFERENCE: FOR ENGINEERING USE, SEE ENG. SPEC. TABLE 1.



REV.	NUMBER	DATE	BY	CHKD
1	5413284-0-1			
2				
3				
4				
5				
6				
7				
8				
9				
10				
11				
12				
13				
14				
15				
16				
17				
18				
19				
20				
21				
22				
23				
24				
25				
26				
27				
28				
29				
30				
31				
32				
33				
34				
35				
36				
37				
38				
39				
40				
41				
42				
43				
44				
45				
46				
47				
48				
49				
50				
51				
52				
53				
54				
55				
56				
57				
58				
59				
60				
61				
62				
63				
64				
65				
66				
67				
68				
69				
70				
71				
72				
73				
74				
75				
76				
77				
78				
79				
80				
81				
82				
83				
84				
85				
86				
87				
88				
89				
90				
91				
92				
93				
94				
95				
96				
97				
98				
99				
100				

REV.	NUMBER	DATE	BY	CHKD
1	5413284-0-1			
2				
3				
4				
5				
6				
7				
8				
9				
10				
11				
12				
13				
14				
15				
16				
17				
18				
19				
20				
21				
22				
23				
24				
25				
26				
27				
28				
29				
30				
31				
32				
33				
34				
35				
36				
37				
38				
39				
40				
41				
42				
43				
44				
45				
46				
47				
48				
49				
50				
51				
52				
53				
54				
55				
56				
57				
58				
59				
60				
61				
62				
63				
64				
65				
66				
67				
68				
69				
70				
71				
72				
73				
74				
75				
76				
77				
78				
79				
80				
81				
82				
83				
84				
85				
86				
87				
88				
89				
90				
91				
92				
93				
94				
95				
96				
97				
98				
99				
100				

LA34
KEYBOARD MODULE

LA34