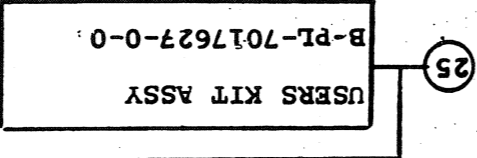
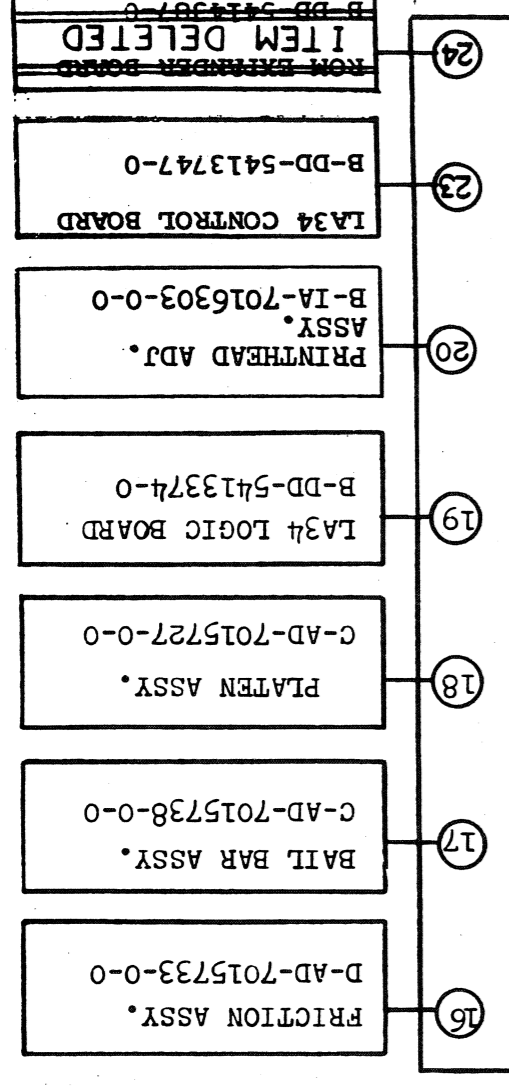
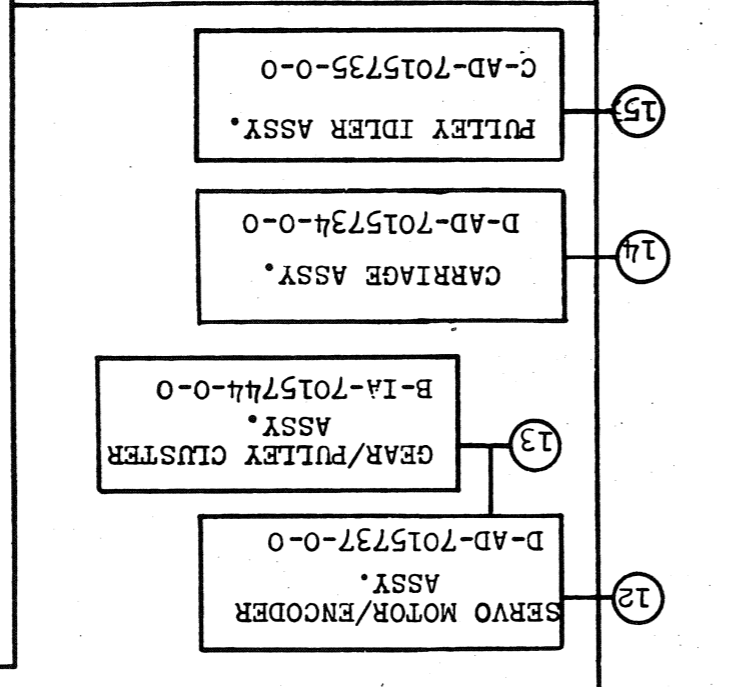
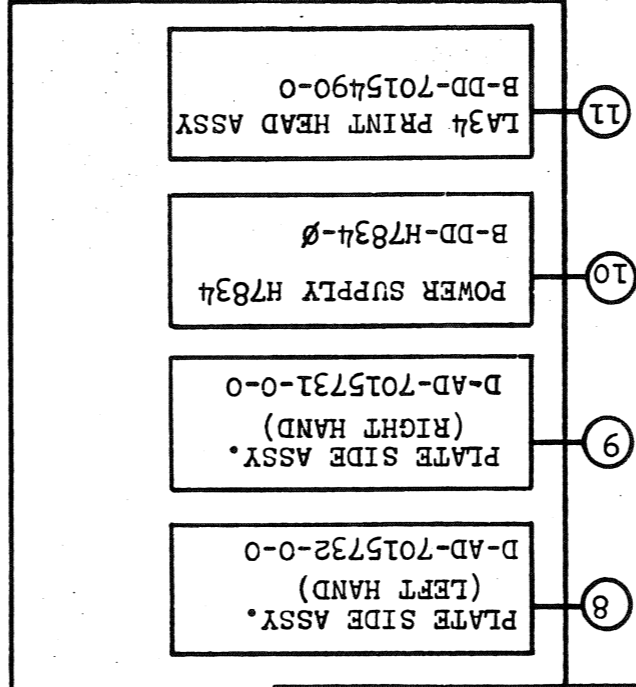
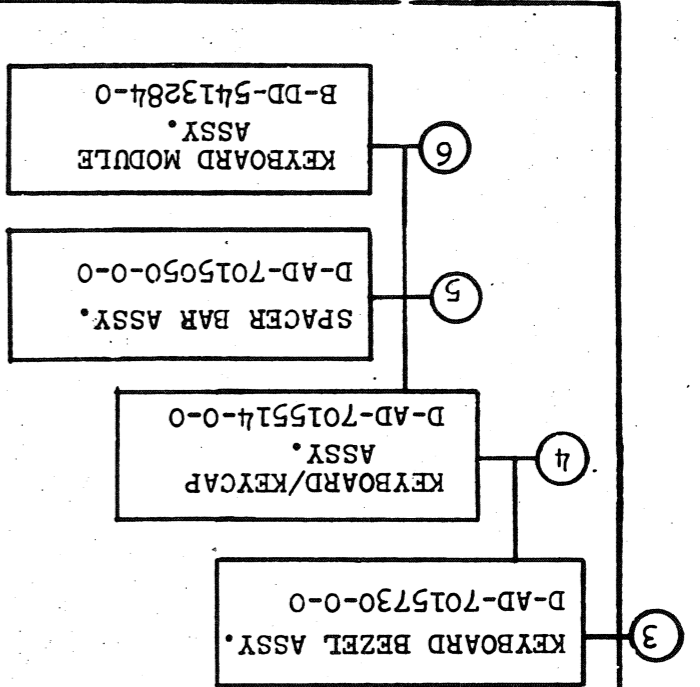
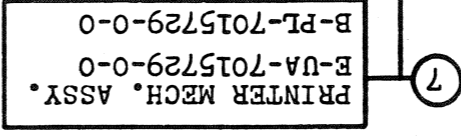
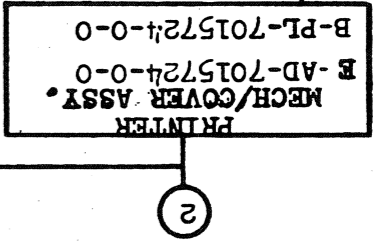
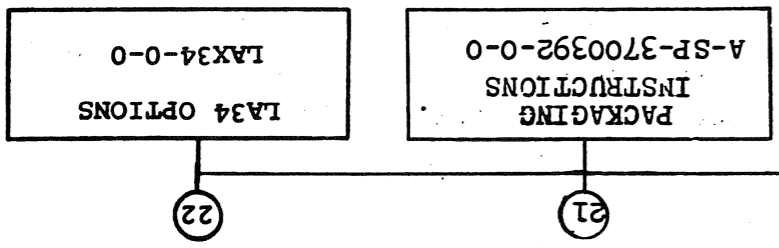
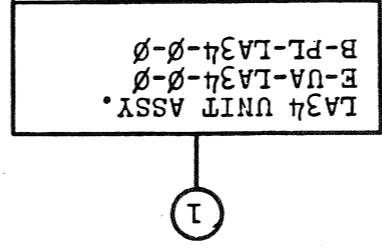


REV	NUMBER	SIZE	CODE	B	TC	TITLE
	LA34-0-1					LA34 UNIT ASSEMBLY

B-DD-5414387-0	ROM EXPANDER BOARD
D-UA-5414387-0	ROM EXPANDER BOARD
K-PL-5414387-0-DBP	ROM EXPANDER BOARD
D-CS-5414387-0	ROM EXPANDER BOARD
B-PL-7017627-0-0	LA34/LA38 USER KIT ASSY

"THIS DRAWING AND SPECIFICATIONS, HEREIN, ARE THE PROPERTY OF DIGITAL EQUIPMENT CORPORATION AND SHALL NOT BE REPRODUCED OR COPIED OR USED IN WHOLE OR IN PART AS THE BASIS FOR THE MANUFACTURE OR SALE OF ITEMS WITHOUT WRITTEN PERMISSION."
 COPYRIGHT © 78 DIGITAL EQUIPMENT CORPORATION

LA34 UNIT ASSY.	REV. 5	NUMBER LA34-0	CODE DD	SIZE B
SHEET 2 OF 6				
LA34-0				
REV. S				



LA34 UNIT ASSY.	REV. 5	NUMBER LA34-0	CODE DD	SIZE B
SHEET 2 OF 6				
LA34-0				
REV. S				

LA34 UNIT ASSY.	REV. 5	NUMBER LA34-0	CODE DD	SIZE B
SHEET 2 OF 6				
LA34-0				
REV. S				

LA34 UNIT ASSY.	REV. 5	NUMBER LA34-0	CODE DD	SIZE B
SHEET 2 OF 6				
LA34-0				
REV. S				

LA34 UNIT ASSY.	REV. 5	NUMBER LA34-0	CODE DD	SIZE B
SHEET 2 OF 6				
LA34-0				
REV. S				

LA34 UNIT ASSY.	REV. 5	NUMBER LA34-0	CODE DD	SIZE B
SHEET 2 OF 6				
LA34-0				
REV. S				

LA34 UNIT ASSY.	REV. 5	NUMBER LA34-0	CODE DD	SIZE B
SHEET 2 OF 6				
LA34-0				
REV. S				

LA34 UNIT ASSY.	REV. 5	NUMBER LA34-0	CODE DD	SIZE B
SHEET 2 OF 6				
LA34-0				
REV. S				

LA34 UNIT ASSY.	REV. 5	NUMBER LA34-0	CODE DD	SIZE B
SHEET 2 OF 6				
LA34-0				
REV. S				

LA34 UNIT ASSY.	REV. 5	NUMBER LA34-0	CODE DD	SIZE B
SHEET 2 OF 6				
LA34-0				
REV. S				

LA34 UNIT ASSY.	REV. 5	NUMBER LA34-0	CODE DD	SIZE B
SHEET 2 OF 6				
LA34-0				
REV. S				

LA34 UNIT ASSY.	REV. 5	NUMBER LA34-0	CODE DD	SIZE B
SHEET 2 OF 6				
LA34-0				
REV. S				

LA34 UNIT ASSY.	REV. 5	NUMBER LA34-0	CODE DD	SIZE B
SHEET 2 OF 6				
LA34-0				
REV. S				

LA34 UNIT ASSY.	REV. 5	NUMBER LA34-0	CODE DD	SIZE B
SHEET 2 OF 6				
LA34-0				
REV. S				

LA34 UNIT ASSY.	REV. 5	NUMBER LA34-0	CODE DD	SIZE B
SHEET 2 OF 6				
LA34-0				
REV. S				

LA34 UNIT ASSY.	REV. 5	NUMBER LA34-0	CODE DD	SIZE B
SHEET 2 OF 6				
LA34-0				
REV. S				

LA34 UNIT ASSY.	REV. 5	NUMBER LA34-0	CODE DD	SIZE B
SHEET 2 OF 6				
LA34-0				
REV. S				

LA34 UNIT ASSY.	REV. 5	NUMBER LA34-0	CODE DD	SIZE B
SHEET 2 OF 6				
LA34-0				
REV. S				

LA34 UNIT ASSY.	REV. 5	NUMBER LA34-0	CODE DD	SIZE B
SHEET 2 OF 6				
LA34-0				
REV. S				

LA34 UNIT ASSY.	REV. 5	NUMBER LA34-0	CODE DD	SIZE B
SHEET 2 OF 6				
LA34-0				
REV. S				

LA34 UNIT ASSY.	REV. 5	NUMBER LA34-0	CODE DD	SIZE B
SHEET 2 OF 6				
LA34-0				
REV. S				

LA34 UNIT ASSY.	REV. 5	NUMBER LA34-0	CODE DD	SIZE B
SHEET 2 OF 6				
LA34-0				
REV. S				

LA34 UNIT ASSY.	REV. 5	NUMBER LA34-0	CODE DD	SIZE B
SHEET 2 OF 6				
LA34-0				
REV. S				

LA34 UNIT ASSY.	REV. 5	NUMBER LA34-0	CODE DD	SIZE B
SHEET 2 OF 6				
LA34-0				
REV. S				

LA34 UNIT ASSY.	REV. 5	NUMBER LA34-0	CODE DD	SIZE B
SHEET 2 OF 6				
LA34-0				
REV. S				

LA34 UNIT ASSY.	REV. 5	NUMBER LA34-0	CODE DD	SIZE B
SHEET 2 OF 6				
LA34-0				
REV. S				

LA34 UNIT ASSY.	REV. 5	NUMBER LA34-0	CODE DD	SIZE B
SHEET 2 OF 6				
LA34-0				
REV. S				

LA34 UNIT ASSY.	REV. 5	NUMBER LA34-0	CODE DD	SIZE B
SHEET 2 OF 6				
LA34-0				
REV. S				

LA34 UNIT ASSY.	REV. 5	NUMBER LA34-0	CODE DD	SIZE B
SHEET 2 OF 6				
LA34-0				
REV. S				

LA34 UNIT ASSY.	REV. 5	NUMBER LA34-0	CODE DD	SIZE B
SHEET 2 OF 6				
LA34-0				
REV. S				

LA34 UNIT ASSY.	REV. 5	NUMBER LA34-0	CODE DD	SIZE B
SHEET 2 OF 6				
LA34-0				
REV. S				

LA34 UNIT ASSY.	REV. 5	NUMBER LA34-0	CODE DD	SIZE B
SHEET 2 OF 6				
LA34-0				
REV. S				

LA34 UNIT ASSY.	REV. 5	NUMBER LA34-0	CODE DD	SIZE B
SHEET 2 OF 6				
LA34-0				
REV. S				

LA34 UNIT ASSY.	REV. 5	NUMBER LA34-0	CODE DD	SIZE B
SHEET 2 OF 6				
LA34-0				
REV. S				

LA34 UNIT ASSY.	REV. 5	NUMBER LA34-0	CODE DD	SIZE B
SHEET 2 OF 6				
LA34-0				
REV. S				

LA34 UNIT ASSY.	REV. 5	NUMBER LA34-0	CODE DD	SIZE B
SHEET 2 OF 6				
LA34-0				
REV. S				

LA34 UNIT ASSY.	REV. 5	NUMBER LA34-0	CODE DD	SIZE B
SHEET 2 OF 6				
LA34-0				
REV. S				

LA34 UNIT ASSY.	REV. 5	NUMBER LA34-0	CODE DD	SIZE B
SHEET 2 OF 6				
LA34-0				
REV. S				

LA34 UNIT ASSY.	REV. 5	NUMBER LA34-0	CODE DD	SIZE B
SHEET 2 OF 6				
LA34-0				
REV. S				

LA34 UNIT ASSY.	REV. 5	NUMBER LA34-0	CODE DD	SIZE B
SHEET 2 OF 6				
LA34-0				
REV. S				

LA34 UNIT ASSY.	REV. 5	NUMBER LA34-0	CODE DD	SIZE B
SHEET 2 OF 6				
LA34-0				
REV. S				

LA34 UNIT ASSY.	REV. 5	NUMBER LA34-0	CODE DD	SIZE B
SHEET 2 OF 6				
LA34-0				
REV. S				

LA34 UNIT ASSY.	REV. 5	NUMBER LA34-0	CODE DD	SIZE B
SHEET 2 OF 6				
LA34-0				
REV. S				

LA34 UNIT ASSY.	REV. 5	NUMBER LA34-0	CODE DD	SIZE B
SHEET 2 OF 6				
LA34-0				
REV. S				

LA34 UNIT ASSY.	REV. 5	NUMBER LA34-0	CODE DD	SIZE B
SHEET 2 OF 6				
LA34-0				
REV. S				

LA34 UNIT ASSY.	REV. 5	NUMBER LA34-0	CODE DD	SIZE B
SHEET 2 OF 6				
LA34-0				
REV. S				

LA34 UNIT ASSY.	REV. 5	NUMBER LA34-0	CODE DD	SIZE B
SHEET 2 OF 6				
LA34-0				
REV. S				

LA34 UNIT ASSY.	REV. 5	NUMBER LA34-0	CODE DD	SIZE B
SHEET 2 OF 6				
LA34-0				
REV. S				

LA34 UNIT ASSY.	REV. 5	NUMBER LA34-0	CODE DD	SIZE B
SHEET 2 OF 6				
LA34-0				
REV. S				

LA34 UNIT ASSY.	REV. 5	NUMBER LA34-0	CODE DD	SIZE B
SHEET 2 OF 6				
LA34-0				
REV. S				

LA34 UNIT ASSY.	REV. 5	NUMBER LA34-0	CODE DD	SIZE B
SHEET 2 OF 6				
LA34-0				
REV. S				

LA34 UNIT ASSY.	REV. 5	NUMBER LA34-0	CODE DD	SIZE B
SHEET 2 OF 6				
LA34-0				
REV. S				

LA34 UNIT ASSY.	REV. 5	NUMBER LA34-0	CODE DD	SIZE B
SHEET 2 OF 6				
LA34-0				
REV. S				

LA34 UNIT ASSY.	REV. 5	NUMBER LA34-0	CODE DD	SIZE B
SHEET 2 OF 6				
LA34-0				
REV. S				

LA34 UNIT ASSY.	REV. 5	NUMBER LA34-0	CODE DD	SIZE B
SHEET 2 OF 6				
LA34-0				
REV. S				

LA34 UNIT ASSY.	REV. 5	NUMBER LA34-0	CODE DD	SIZE B
SHEET 2 OF 6				
LA34-0				
REV. S				

LA34 UNIT ASSY.	REV. 5	NUMBER LA34-0	CODE DD	SIZE B
SHEET 2 OF 6				
LA34-0				
REV. S				

LA34 UNIT ASSY.	REV. 5	NUMBER LA34-0	CODE DD	SIZE B
SHEET 2 OF 6				
LA34-0				
REV. S				

LA34 UNIT ASSY.	REV. 5	NUMBER LA34-0	CODE DD	SIZE B
SHEET 2 OF 6				
LA34-0				
REV. S				

LA34 UNIT ASSY.	REV. 5	NUMBER LA34-0	CODE DD	SIZE B
SHEET 2 OF 6				
LA34-0				
REV. S				

LA34 UNIT ASSY.	REV. 5	NUMBER LA34-0	CODE DD	SIZE B
SHEET 2 OF 6				
LA34-0				
REV. S				

LA34 UNIT ASSY.	REV. 5	NUMBER LA34-0	CODE DD	SIZE B
SHEET 2 OF 6				
LA34-0				
REV. S				

LA34 UNIT ASSY.	REV. 5	NUMBER LA34-0	CODE DD	SIZE B
SHEET 2 OF 6				
LA34-0				
REV. S				

LA34 UNIT ASSY.	REV. 5	NUMBER LA34-0	CODE DD	SIZE B
SHEET 2 OF 6				
LA34-0				
REV. S				

LA34 UNIT ASSY.	REV. 5	NUMBER LA34-0	CODE DD	SIZE B
SHEET 2 OF 6				
LA34-0				
REV. S				

LA34 UNIT ASSY.	REV. 5	NUMBER LA34-0	CODE DD	SIZE B
SHEET 2 OF 6				
LA34-0				
REV. S				

LA34 UNIT ASSY.	REV. 5	NUMBER LA34-0	CODE DD	SIZE B
SHEET 2 OF 6				
LA34-0				
REV. S				

LA34 UNIT ASSY.	REV. 5	NUMBER LA34-0	CODE DD	SIZE B
SHEET 2 OF 6				
LA34-0				
REV. S				

LA34 UNIT ASSY.	REV. 5	NUMBER LA34-0	CODE DD
-----------------	--------	---------------	---------

TYPE: E ELECTRICAL M MECHANICAL E/M ELECTRO/MECHANICAL		TITLE		SHEET 6 OF 6		LA34-0		REV S	
FIND NO.	DRAWING NO.	DESCRIPTION	TYPE	FIND NO.	DRAWING NO.	DESCRIPTION	TYPE	REV	S
19	B-DD-5413374-0	LA34 LOGIC BOARD	E/M						
20	B-IA-7016303-0-0	PRINT HEAD ADJ. ASSY	M						
	1216035-0-0	SLIDE HEAD ADJUSTMENT	M						
	B-MD-7421769-0-0	LEVER HEAD ADJUSTMENT	M						
21	A-SP-3700292-0-0	INSTRUCTIONS, PACKAGING	M						
22	LAX34-0-0	OPTIONS LA34	E/M						
	B-DD-LAX34-AL	TRACTOR OPTION	E/M						
	B-DD-LAX34-CL	20 MA OPTION	E/M						
	B-DD-LAX34-KL	KEYPAD	E/M						
	B-DD-LAX34-LI	PAPER LOW OPTION	E/M						
	B-DD-LAX34-ML	MODEM/DA. OPTION	E/M						
	B-DD-LAX34-PL	PAPER OUT SWITCH KIT	E/M						
	B-DD-LAX34-RL	ROLL PAPER HOLDER	E/M						
	B-DD-LAX34-SL	STAND LA34/LA38	E/M						
	B-DD-LAX34-SN	HARDWARE KIT FOR LAX34-SL	E/M						
	B-DD-LAX34-XL	EXTENDED LOGIC	E/M						
	B-DD-LAX34-UP	UPGRADE KIT	E/M						
	B-DD-LAX34-PC	PAPER CATCHER	M						
	B-DD-LAX34-HL	KEYCAPS FOR APL	E/M						
	B-DD-LAX34-JL	KEYCAPS FOR INTERNATIONAL CHARACTERS	E/M						
	B-DD-LAX34-XM	EXTENDED LOGIC OPTION WITH MEMORY	E/M						
23	B-DD-5413374-0-0	LA34 CONTROL BOARD	E/M						
25	B-PL-7017627-0-0	USERS KIT ASSY	M						

digital

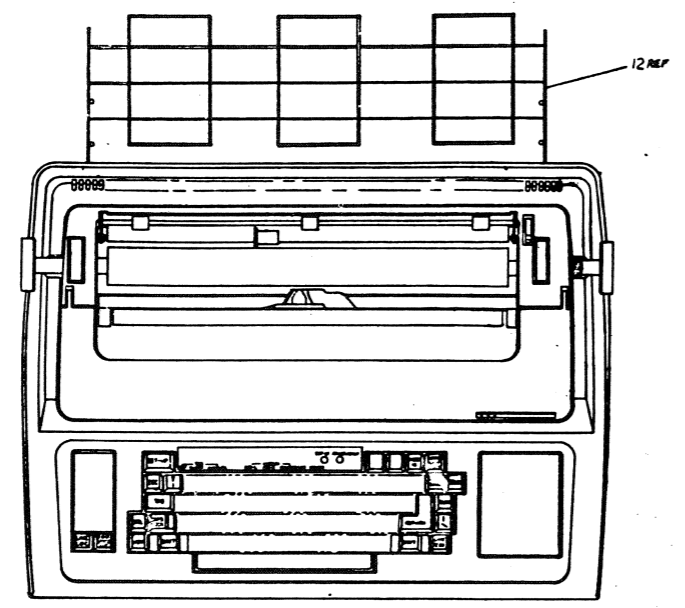
LA34 UNIT ASSY

DD B DD

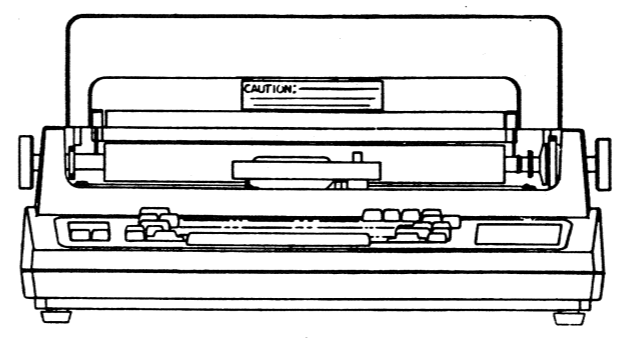
LA34-0 NUMBER

REV S

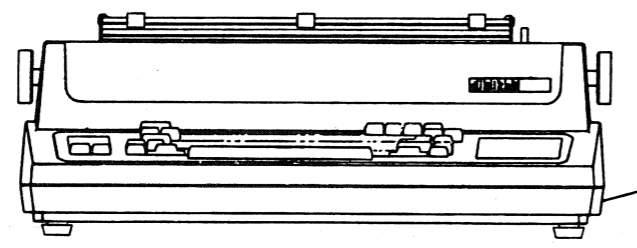
8 7 6 5 4 3 2 1



TOP VIEW

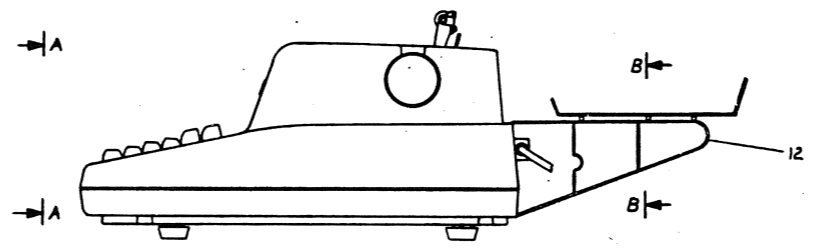


VIEW A-A
VIEW SHOWN WITH ACCESS COVER RAISED

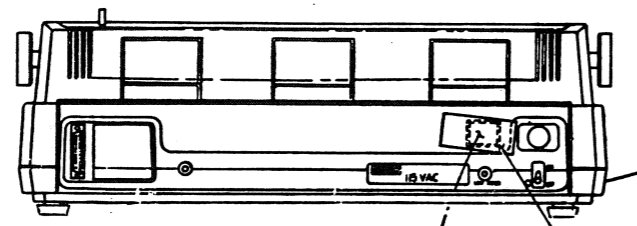


FRONT VIEW

11 OR
1 OR
13 OR
6 OR
14

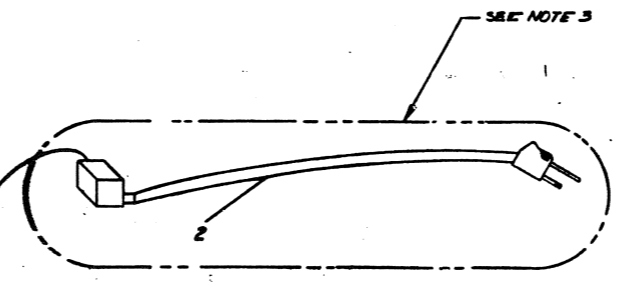


SIDE VIEW



VIEW B-B

11 REF
OR
1 REF
OR
13 REF
OR
6 REF
OR
14 REF



- NOTES:
1. FOR INTERCONNECTION DIAGRAM REFER TO D-2C-LA34-0-2.
 2. MOVE CARRIAGE TO LEFT HAND STOP, SECURE WITH CABLE TIE ITEM #3, THE PRINTED CAUTION TAGS (ITEM #4) SECURELY TO THE CABLE TIE.
 3. PLACE AC POWER CORD ITEM #2, POWER REQUIREMENT LABEL ITEM #10 AND FUSE, PART OF ITEM 1 IN SEPARATE PACKAGE PER PACKING INSTRUCTIONS ITEM 5.
 4. ITEM 12, PAPER CATCHER IS OPTIONAL.
 5. ITEM 15; ACC CARTON LABEL IS REFERENCED ON THE PACKAGE INSTRUCTION, PART 3760392-3-0.

LA34-PROB A	LA34-PROB B	LA34-PROB C	LA34-PROB D	LA34-PROB E	LA34-PROB F	LA34-PROB G	LA34-PROB H	LA34-PROB I	LA34-PROB J	LA34-PROB K	LA34-PROB L	LA34-PROB M	LA34-PROB N	LA34-PROB O	LA34-PROB P	LA34-PROB Q	LA34-PROB R	LA34-PROB S	LA34-PROB T	LA34-PROB U	LA34-PROB V	LA34-PROB W	LA34-PROB X	LA34-PROB Y	LA34-PROB Z
-------------	-------------	-------------	-------------	-------------	-------------	-------------	-------------	-------------	-------------	-------------	-------------	-------------	-------------	-------------	-------------	-------------	-------------	-------------	-------------	-------------	-------------	-------------	-------------	-------------	-------------

FOR PARTS LIST SEE K-PL-LA34-0-08P

ITEM NO.	DESCRIPTION	QUANTITY	UNIT
1	AC POWER CORD	1	EA
2	POWER REQUIREMENT LABEL	1	EA
3	FUSE	1	EA
4	PRINTED CAUTION TAGS	1	EA
5	PAPER CATCHER	1	EA
6
7
8
9
10
11
12
13
14
15

LA34 UNIT ASSY

SCALE 1/2"

SEE K-PL

8 7 6 5 4 3 2 1

LINE ITEM DOCUMENT NUMBER PART NUMBER DESCRIPTION QUANTITY PER VARIATION DA PA JA AA PB

1	E-AD-7015724-0-0	7015724-00	PRINTER MECH/COVER ASSY	1	-	-	-	-	-
2	B-PL-7017627-0-0	7017627-DA	USER'S KIT ASSY, (LA34-DA)	1	-	-	-	-	-
3		9007032-00	TIE,CABLE BUNDL,DIA 0-1-3/4"=101	1	1	1	1	1	1
4	B-PL-7017627-0-0	7017627-PA	USER'S KIT ASSY, (LA34-PA)	1	-	-	-	-	-
5	B-PL-7017627-0-0	7017627-JA	USER'S KIT ASSY, (LA34-JA)	1	-	-	-	-	-
6	E-AD-7015724-0-0	7015724-03	PRINTER MECH COVER ASSY LA34	1	-	-	-	-	-
7	B-PL-7017627-0-0	7017627-AA	USER'S KIT ASSY, (LA34-AA)	1	-	-	-	-	-
8	A-SP-3700392-0-0	3700392-00	INSTR PKG PRINTER,LA34 DEWRITER	1	1	1	1	1	1
9	D-IC-LA34-0-2		DIAGRAM, INTERCONNECTION	1	REF	REF	REF	REF	REF
10	B-PL-7017627-0-0	7017627-PB	USER'S KIT ASSY, (LA34-PB)	1	-	-	-	-	-
11	E-AD-7015724-0-0	7015724-01	PRINTER MECH/COVER ASSY (DARK)	1	-	-	-	-	-
12	D-IA-7423841-0-0	7423841-00	PAPER CATCHER	1	A/R	A/R	A/R	A/R	A/R
13	E-AD-7015724-0-0	7015724-02	PRINTER MECH/COVER ASSY, JA	1	-	-	-	-	-
14	E-AD-7015724-0-0	7015724-04	PRINTER MECH COVER ASSY	1	-	-	-	-	-

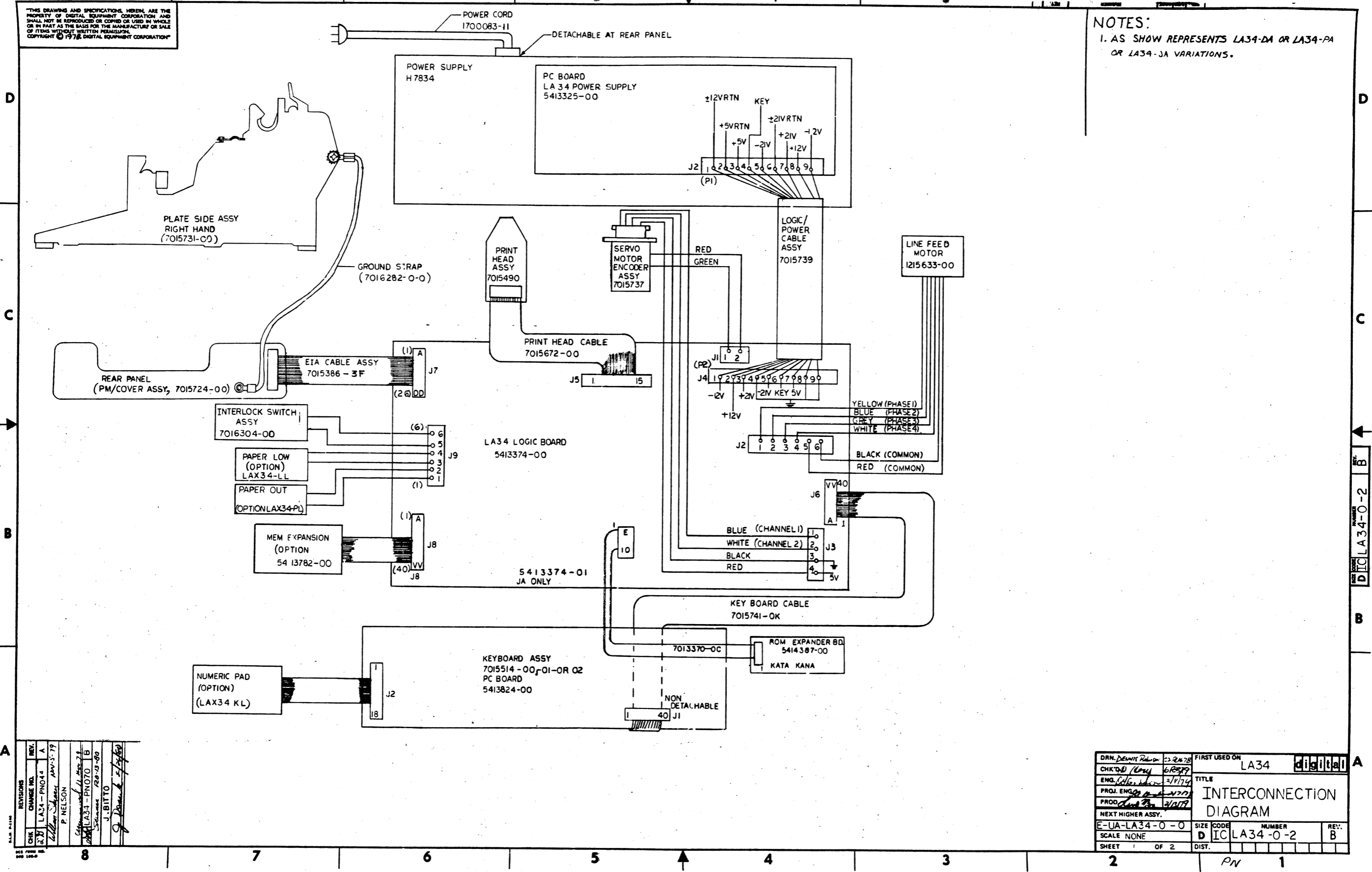
15 NOTE: 1 ITEM NUMBER 12 PAPER CATCHER IS OPTIONAL.

--	--	--	--	--	--	--	--	--	--

REVISION HISTORY									
ENG	ECO NUMBER	REV	SECTION A OF A	DRN	D. BUDELKO	DATE: 21-FEB-80	TITLE	PARTS LIST	
---	INITIAL	D	SECTION, VARIATION INDEX	CHKID	D HEALY	DATE: 21-FEB-80		LA34 UNIT ASSY.	
JB	LA34-PN070	D	(A) DA,PA,JA,AA,PB						
JB	LA34-PN071	E							
JB	LA34-PN072	F							
JB	LA34-PN073	H							
JB	LA34-PN081	C							
		(D)	RESP.ENG.: R COURTEMANCHE			DATE: 21-FEB-80	SIZE:CODE: NUMBER	DOCUMENT NUMBER	
		(E)	MFG.ENG.: L MION			DATE: 21-FEB-80	K	PL	LA34-0-DRP
		(F)	ASSEMBLY NUMBER:				TOP DOCUMENT NUMBER:	FILE NAME:	LA34.PLS
									EDIT # 26
THIS DRAWING AND SPECIFICATIONS HEREIN, ARE THE PROPERTY OF DIGITAL EQUIPMENT CORPORATION AND SHALL NOT BE REPRODUCED OR COPIED OR USED IN WHOLE OR IN PART AS THE BASIS FOR THE MANUFACTURE OR SALE OF ITEMS WITHOUT WRITTEN PERMISSION.									
COPYRIGHT (C) 1981, DIGITAL EQUIPMENT CORPORATION									

"THIS DRAWING AND SPECIFICATIONS HEREIN ARE THE PROPERTY OF DIGITAL EQUIPMENT CORPORATION AND SHALL NOT BE REPRODUCED OR COPIED OR USED IN WHOLE OR IN PART AS THE BASIS FOR THE MANUFACTURE OR SALE OF ITEMS WITHOUT WRITTEN PERMISSION. COPYRIGHT © 1976, DIGITAL EQUIPMENT CORPORATION"

NOTES:
1. AS SHOWN REPRESENTS LA34-DA OR LA34-PA OR LA34-JA VARIATIONS.



REV	CHG	BY	DATE	DESCRIPTION
1		P. NELSON	11/10/76	LA34 - PNO70 A
2		J. BITTO	12/13/80	LA34 - PNO70 B

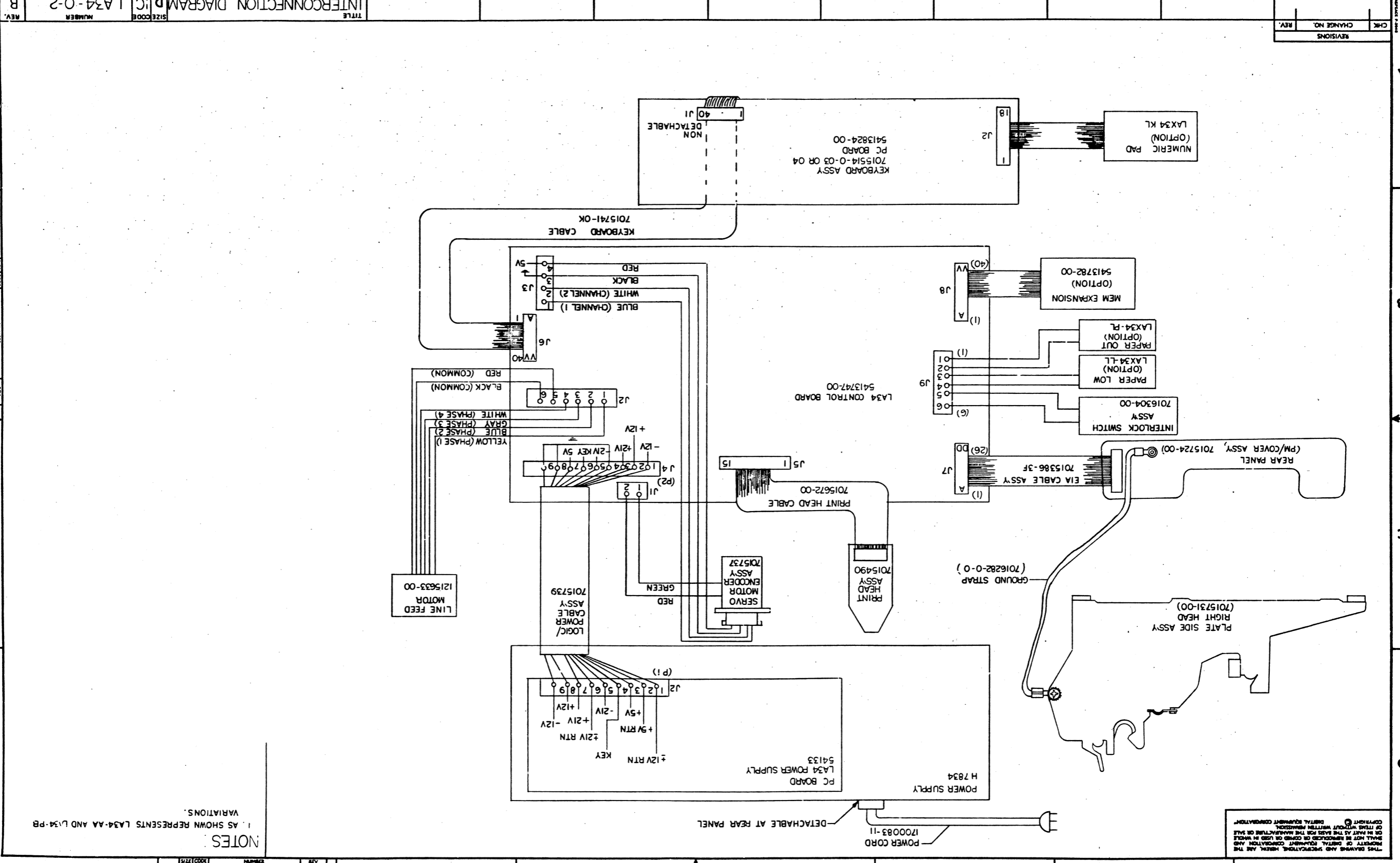
DRN: Dennis Nelson	23-26-78	FIRST USED ON	LA34	digital
CHK'D: Lowy	6/8/79	TITLE	INTERCONNECTION DIAGRAM	
ENG: G. Nelson	2/11/79	SIZE	D	IC
PROJ. ENGR: Nelson	2/11/79	NUMBER	LA34-0-2	REV: B
PROD: Nelson	2/11/79	SCALE	NONE	
NEXT HIGHER ASSY:		SHEET	1	OF 2
E-UA-LA34-0-0		DIST.		

REV B
LA34-0-2

REV.	CHANGE NO.	REVISIONS

REV.	NUMBER	TITLE
B	LA34-0-2	INTERCONNECTION DIAGRAM

SCALE NONE
SHEET 2 OF 2
DISTR.



THIS DRAWING AND PRELATIONS HEREIN ARE THE PROPERTY OF DIGITAL CORPORATION AND SHALL NOT BE REPRODUCED OR USED IN WHOLE OR IN PART AS THE BASIS FOR THE MANUFACTURE OF SIMILAR DIGITAL EQUIPMENT CONSTRUCTION. COPYRIGHT © DIGITAL CORPORATION

NOTES
1. AS SHOWN REPRESENTS LA34-AA AND LA34-PB VARIATIONS.

LA34-0-2
REV. B

REV.	NUMBER	TITLE
B	LA34-0-2	INTERCONNECTION DIAGRAM

SCALE NONE
SHEET 2 OF 2
DISTR.