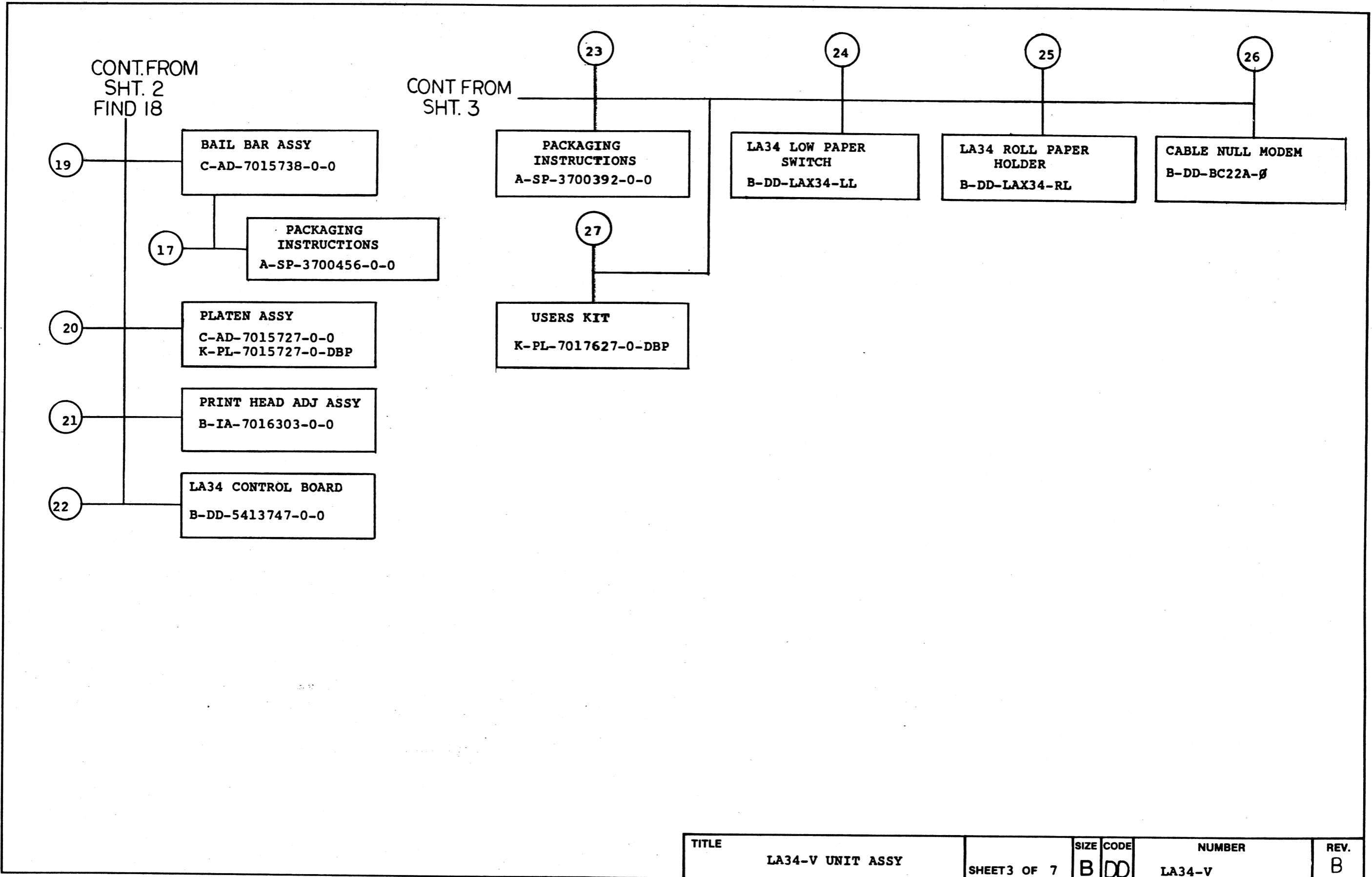


CONT'N
SHT. 3

CONT'N
SHT. 3



DRB-107

TITLE	SIZE	CODE	NUMBER	REV.
LA34-V UNIT ASSY	B	DD	LA34-V	B

SHEET 3 OF 7

FIND NO.	DRAWING NO.	DESCRIPTION	TYPE	FIND NO.	DRAWING NO.	DESCRIPTION	TYPE
	A-PS-1215701-0-0	SPRING, EXTENSION	M	9	B-DD-H7834-Ø	POWER SUPPLY (H7834)	E/M
	A-PS-1215315-0-0	SHAFT, CARRIAGE	M				
	B-IA-7017628-0-0	INTERLOCK SWITCH ASSY	M				
	A-PS-3613209-0-0	LABEL, ADHESIVE BACKED, ELEC. DATA	M				
	A-PS-1215452-0-0	SCREW LEVER	M	10	B-DD-7015490-0	LA34 PRINT HEAD	E/M
	A-PS-1216031-0-0	SPRING COMPRESSION	M				
	A-PS-1216034-0-0	SPACER	M				
	A-PS-1216032-0-0	SPRING, HEAD DETENT	M				
	A-PS-1216065-0-0	WASHER, SQ. PLASTIC	M				
	D-MD-7423722-0-0	CAP, CLOSURE, MODULE COVER	M	11	D-AD-7015737-0-0	SERVO MOTOR/ENCODER ASSY	E/M
	A-PS-1215453-0-0	SPACER, LEVER	M		K-PL-7015737-0-DBP	SERVO MOTOR/ENCODER ASSY (PL)	E/M
	A-PS-1215452-0-0	SCREW, LEVER	M		D-MD-7420740-0-0	BRACKET MOTOR MOUNTING	M
	C-MD-7423902-0-0	LA34 PAPER GUIDE	M		C-IA-7015740-0-0	CABLE SERVO MOTOR	E/M
					A-PS-1915671-0-0	OPTICAL ENCODER, DETECTOR	E/M
					A-PS-1215633-0-0	MOTOR	
					A-PS-1215589-0-0	DISK, ENCODER	M
					A-PS-1215603-0-0	DUST CAP ENCODER	M
7	D-AD-7015732-0-0	PLATE SIDE ASSY (LEFT HAND)	M		A-PS-1215604-0-0	BACKPLATE, ENCODER	M
	B-MD-7421147-0-0	SPACER BAIL BAR	M		A-PS-1215915-0-0	BELT 90 T.25 WIDE	M
	B-MD-7420739-0-0	CLAMP, SHAFT	M		A-PS-3613214-0-0	LABEL, ADHESIVE BACKED	M
	A-PS-1215382-0-0	PLATE SIDE L.H.	M		C-MD-7424735-0-0	PULLEY DRIVE 18 TEETH Ø80P	M
	A-PS-1215512-0-0	LATCH PLATEN	M		C-MD-7424208-0-0	STUD COMBINATION PULLEY	M
	A-PS-1215508-0-0	SPRING LATCH EXTENSION	M		C-MD-7424206-0-0	BUSHING PLAIN	M
	A-PS-1215557-0-0	SPACER, PLATEN LATCH	M		C-MD-7424207-0-0	SPRING, TAKE UP	M
	A-PS-1215398-0-0	GROMMET	M				
8	D-AD-7015731-0-0	PLATE SIDE, ASSY (RIGHT HAND)	E/M	12	B-IA-7015744-0-0	GEAR/PULLEY CLUSTER ASSY	M
	B-MD-7421147-0-0	SPACER BAIL BAR	M		A-PS-1215591-0-0	GEAR/PULLEY CLUSTER	M
	B-IA-7016282-0-0	CABLE ASSY	E/M		A-PS-1215523-0-0	BEARING	M
	B-MD-7420739-0-0	CLAMP, SHAFT	M				
	C-MD-7420738-0-0	CLAMP, CABLE SUPPORT SHAFT	M				
	A-PS-1215394-0-0	PLATE SIDE	M				
	A-PS-1215558-0-0	MOTOR, STEPPER ASSY	M	13	D-IA-7017623-0-0	ARM TAKE UP ASSY	M
	A-PS-1215512-0-0	LATCH PLATEN	M		C-MD-7424204-0-0	ROLLER BELT, TAKE UP	M
	A-PS-1215350-0-0	GEAR CLUSTER PAPER DRIVE	M		C-MD-7424205-0-0	ARM, TAKE UP	M
	A-PS-1215557-0-0	SPACER PLATEN LATCH	M		C-MD-7424209-0-0	RING, RETAINING BRKT	M
	A-PS-1215508-0-0	SPRING LATCH EXTENSION	M				
	A-PS-1215398-0-0	GROMMET	M				
	A-PS-1215672-0-0	BUMPER	M				
				14	A-SP-3700457-0-0	PACKAGING INSTRUCTIONS	M

TYPE: E ELECTRICAL
M MECHANICAL
E/M ELECTRO/MECHANICAL



TITLE

LA34-V UNIT ASSY

SHEET 5 OF 7

SIZE CODE
B DD

NUMBER
LA34-V

REV.
B

FIND NO.	DRAWING NO.	DESCRIPTION	TYPE
15	D-AD-7015734-0-0	CARRIAGE ASSY	M
	B-MD-7414845-0-0	BUSHING, PLAIN	M
	C-MD-7414835-0-0	SPRING, FRONT BEARING	M
	B-MD-7420874-0-0	WICK OIL	M
	A-PS-1215194-0-0	FRAME CARRIAGE	M
	A-PS-1215317-0-0	BEARING SELF ALIGN	M
	A-PS-1215318-0-0	RETAINER BEARING	M
	A-PS-1215522-0-0	BRKT, CABLE SUPPORT	M
	A-PS-1215455-0-0	SPRING, OIL WICK	M
	A-PS-1215346-0-0	PULLEY, RIBBON DRIVE	M
	C-MD-7424202-0-0	SHAFT RIBBON DRIVE	M
	A-PS-1215454-0-0	SPRING, OIL WICK	M
	A-PS-1215632-0-0	BELT TIMING	M
	A-PS-1215751-0-0	BELT CUP	M
	C-MD-7424203-0-0	BUSHING, RIBBON DRIVE	M
	C-MD-7424161-0-0	SPRING, RIBBON DRIVE	M
16	C-AD-7015735-0-0	PULLEY IDLER ASSY	M
	A-PS-1215592-0-0	PULLEY IDLER	M
	A-PS-1215357-0-0	SHAFT IDLER PULLEY	M
	A-PS-1216621-0-0	BEARING	M
	B-IA-7016303-0-0	PRINT HEAD ADJ ASSY	M
	A-PS-1216035-0-0	SLIDE HD. ADJUSTMENT	M
	B-MD-7421769-0-0	LEVER, HD. ADJUSTMENT	M
17	A-SP-3700456-0-0	PACKAGING INSTRUCTIONS	M
18	D-AD-7015733-0-0	FRICITION ASSY	M
	A-PS-1215358-0-0	SHAFT FRICTIION	M
	A-PS-1215524-0-0	BUSHING	M
	A-PS-1215551-0-0	SPRING	M
	A-PS-1215349-0-0	ARM ROCKER	M
	A-PS-1215355-0-0	ROCKER	M
	A-PS-1215356-0-0	ROLLER, FRONT PAPER FEED	M
	A-PS-1215359-0-0	ROLLER, REAR PAPER FEED	M
21	B-IA-7016303-0-0	PRINT HEAD ADJ ASSY	M
	A-PS-1216035-0-0	SLIDE HD. ADJUSTMENT	M
	B-MD-7421769-0-0	LEVER, HD. ADJUSTMENT	M
22	B-DD-5413747-0	LA34 CONTROL BOARD	E/M
23	A-SP-3700392-0-0	PACKAGING INSTRUCTIONS	M
24	B-D-LAX34-LT	OPTION PAPER LOW	E/M

digital

FIND NO.	DRAWING NO.	DESCRIPTION	TYPE
19	C-AD-7015738-0-0	BAIL BAR ASSY	M
	A-PS-1215330-0-0	ROLLER ASSY, (BAIL BAR)	M
	A-PS-1215331-0-0	ARM, BAIL BAR	M
	A-PS-1215332-0-0	BAIL BAR	M
	A-PS-1215333-0-0	TEAR EDGE	M
	C-AD-7015727-0-0	PLATEN ASSY	M
	K-PL-7015727-0-DBP	PLATEN ASSY	M
	A-PS-1215351-0-0	PLATEN KNOB ASSY	M
	A-PS-1215288-0-0	GEAR, TRACTOR	M
	A-PS-1215289-0-0	BEARING, PLAIN	M
	A-PS-1215290-0-0	PLATEN SUB ASSEMBLY	M
	A-PS-1215353-0-0	BEARING, PLASTIC	M
	A-PS-1215400-0-0	CLUTCH, DISK	M
	A-PS-1215352-0-0	CLUTCH/GEAR, PAPER DRIVE	M
	A-PS-1215354-0-0	CLUTCH, HUB	M
	A-PS-1215552-0-0	SPRING, COMPRESSION	M
	A-PS-1215562-0-0	WASHER, CLUTCH	M
20	C-AD-7015727-0-0	PLATEN ASSY	M
	C-AD-7015727-0-0	PLATEN ASSY	M

TITLE
LA34-V UNIT ASSY

SHEET 6 OF 7

SIZE CODE
B DD

NUMBER
LA34-V

REV.
B

TYPE:
E ELECTRICAL
M MECHANICAL
E/M ELECTRO/MECHANICAL

78 108A

FIND NO.	DRAWING NO.	DESCRIPTION	TYPE	FIND NO.	DRAWING NO.	DESCRIPTION	TYPE
25	B-D-LAX34-RL	OPTION PAPER ROLL	E/M				
26	B-DD-BC22A-ø	CABLE, NULL MODEM	E/M				
27	K-PL-7017627-0-DBP	USERS KIT ASSY (LA34-V, R, W)	E/M				
	A-PS-1700083-0-0	POWER CORD, TERM	E/M				
	A-PS-3616153-0-0	LABEL PWR REQ	M				
	A-PS-3616157-0-0	LABEL, CORRECT VOLT. SETTING	M				
	A-PS-3615514-0-0	RIBBON CARTRIDGE	M				
	A-PS-1700163-0-0	CABLE ASSY	E/M				
	A-PS-3616799-0-0	LABEL, PWR RATING OEM	M				
	A-PS-3618115-0-0	LABEL	M				
	A-PS-3618307-0-0	USER INFO FCC LABEL CLASS A	M				
	EK-LA34RO-UG	USERS GUIDE LA34/RO	E/M				

TYPE: E ELECTRICAL
M MECHANICAL
E/M ELECTRO/MECHANICAL



TITLE LA34-V UNIT ASSY

SHEET 7 OF 7

SIZE CODE B DD

NUMBER LA34-V

REV. B

LINE ITEM	DOCUMENT NUMBER	PART NUMBER	DESCRIPTION	QUANTITY PER VARIATION VA
1	E-AD-7017869-0-0	7017869-00	PRINTER MECH/COVER ASSY.	1
2		9009882-00	WASHER, LOCK, INT TOOTH #6	1
3		3612520-00	TAG,"CAUTION"FOR LA36,2-1/8X4-1/	1
4	D-MD-7424088-C-0	7424088-00	LOGO LA34-FO FAMILY	1
5		9007032-00	TIE,CABLE BUNDL,DIA 0-1-3/4"=101	1
6	B-PL-LAX34-LL-0	LAX34-LL	LA34 LOW PAPER SWITCH FOR USE NO	1
7	B-PL-LAX34-RL-0	LAX34-RL	LA34 ROLL PAPER HOLDER	1
8	B-PL-BC22A-0-0	BC22A-25	BC22A-10 EXCEPT 25 FT	1
9		9000038-03	SCREW,PAN,PHIL 6-32X 1/2 BR/T	1
10	A-SP-3700392-0-0	3700392-02	PKG, PRINTER LA34/LA38 DECWRITER	1
11		3616611-01	PAPER,TELEPRINTER,14-7/8 X 3",15	1
12	B-PL-7017627-0-0	7017627-VA	USERS KIT LA34-VA	1

REVISION HISTORY		BASIC PART NO: OLA34		DRN:	R. ROUICHAUD	DATE:	DIGITAL		
ENG	ECO NUMBER	REV	SECTION A OF A	CHK'D:	D. HEALY	DATE:	PARTS LIST		
---	INITIAL	A	SECTION, VARIATION INDEX	CHK'D:	D. HEALY	DATE:	UNIT ASS'Y LA34-V		
EK	LA34-PN082	B	[A] VA	DES.ENG.:	A.R. JORRY	DATE:	DOCUMENT NUMBER		
			[B]	RESP.ENG.:	F.A. DIGILIO	DATE:	SIZE	CODE	NUMBER
			[C]	MFG.ENG.:	LEUNG NG	DATE:	K	PL	LA34-V-DBP
			[D]	ASSEMBLY NUMBER:	D-UA-LA34-V-0	TOP DOCUMENT NUMBER:	FILE NAME:		EDIT #
			[E]				Z1649A.PLS		3
			[F]						

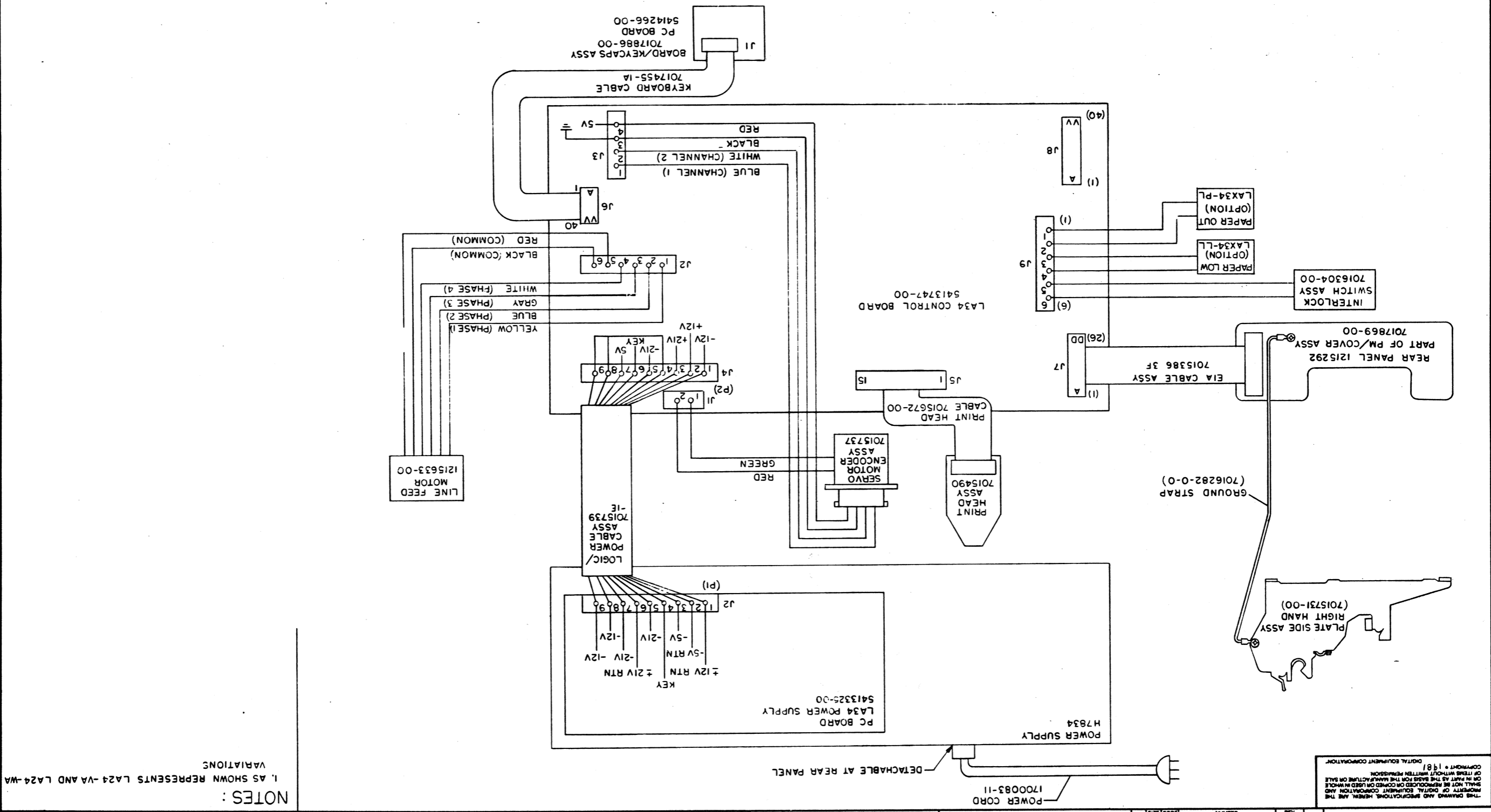
"THIS DRAWING AND SPECIFICATIONS HEREIN, ARE THE PROPERTY OF DIGITAL EQUIPMENT CORPORATION AND SHALL NOT BE REPRODUCED OR COPIED OR USED IN WHOLE OR IN PART AS THE BASIS FOR THE MANUFACTURE OR SALE OF ITEMS WITHOUT WRITTEN PERMISSION. COPYRIGHT (C) 1981, DIGITAL EQUIPMENT CORPORATION"

REVISION HISTORY	
REV	DATE
A	INITIAL

TITLE	
DATE	BY
17 NOV 80	R. P. Miller
28 MAR 81	B. Brady
5/1/81	377 Taylor
5/29/81	Sam C. Mc

REV	DATE	BY
A	5/29/81	Sam C. Mc

NONE
 D I C L A 3 4 - V - 3
 DOCUMENT NUMBER
 INTERCONNECTION
 DIAGRAM
 1 ML3



NOTES:
 1. AS SHOWN REPRESENTS LA24-VA AND LA24-WA VARIATIONS

THIS DRAWING AND SPECIFICATIONS HEREBY ARE THE PROPERTY OF DIGITAL EQUIPMENT CORPORATION AND SHALL NOT BE REPRODUCED OR COMPILED OR USED IN ANY MANNER WITHOUT WRITTEN PERMISSION.
 COPYRIGHT © 1981 DIGITAL EQUIPMENT CORPORATION

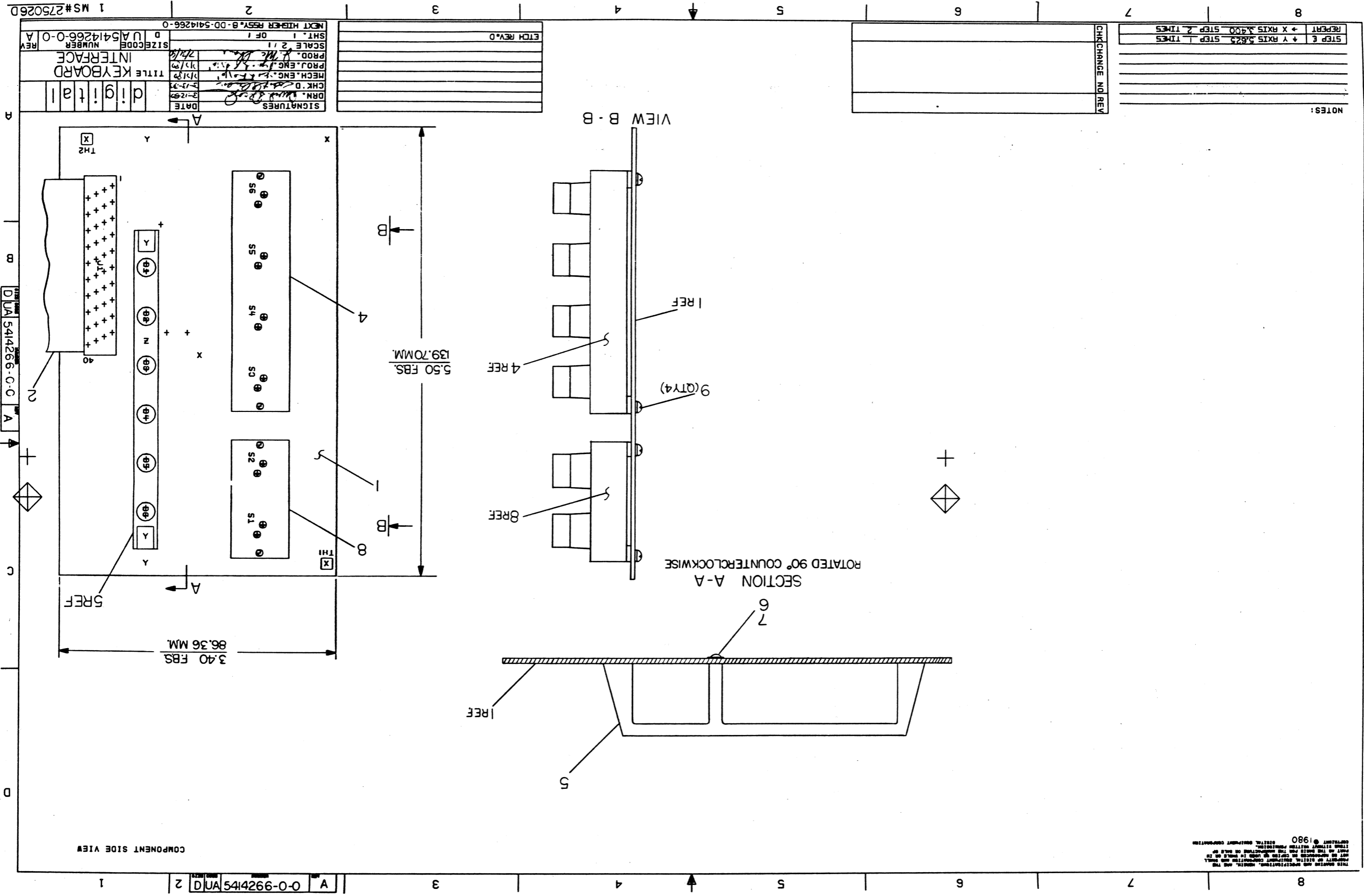
D I C L A 3 4 - V - 3

A
 3-V-47LA34-DIC

THIS DRAWING AND SPECIFICATIONS, NOTES, AND THE
 PROJECT OR SERIAL NUMBER, COMPANY, AND THE
 DATE OF REVISIONS OR CHANGES TO THIS DRAWING
 ARE THE PROPERTY OF THE DRAWING COMPANY AND SHALL BE
 KEPT IN CONFIDENCE BY THE USER. IT SHALL NOT BE
 REPRODUCED OR TRANSMITTED IN ANY FORM OR BY
 ANY MEANS, ELECTRONIC OR MECHANICAL, INCLUDING
 PHOTOCOPYING, RECORDING, OR BY ANY INFORMATION
 SYSTEMS RETRIEVAL SYSTEM, WITHOUT THE WRITTEN
 CONSENT OF THE DRAWING COMPANY.

1980

COMPONENT SIDE VIEW



NOTES:

STEP E + Y AXIS 5.825 STEP 1 TIMES
STEP F + X AXIS 3.400 STEP 2 TIMES

CHG	NO	REV

ETCH REV.0

SIGNATURES	DATE
DRM. <i>[Signature]</i>	2-12-80
CHK. D. <i>[Signature]</i>	5-13-80
TECH. ENG. <i>[Signature]</i>	7/1/80
PROJ. ENG. <i>[Signature]</i>	7/1/80
TITLE	KEYBOARD INTERFACE
SIZE CODE	U A 5414266-0-0
NUMBER	0-0
REV	A

1 MS#2750260

0-0-992415 A DUA 5414266-0-0

PARTS LIST

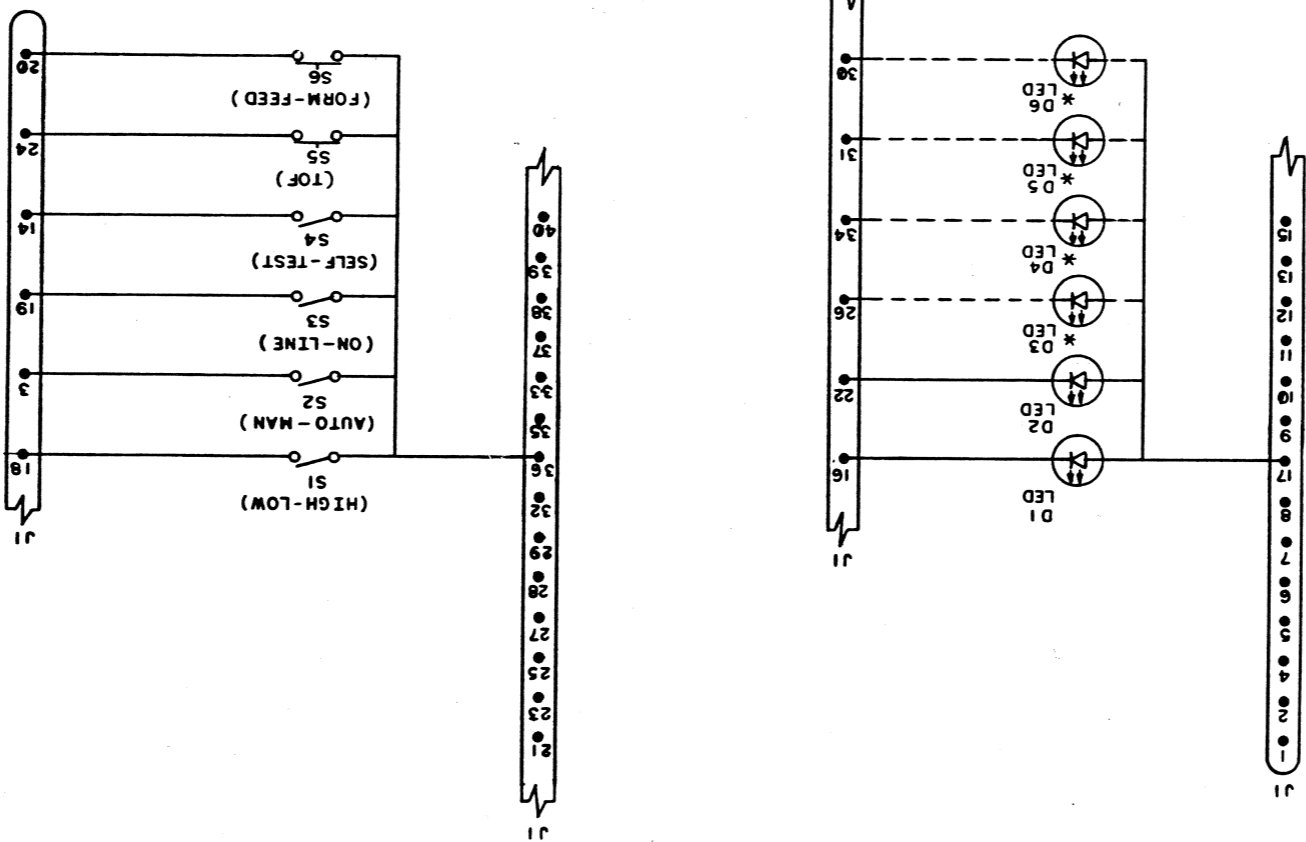
LINE ITEM	DOCUMENT NUMBER	PART NUMBER	DESCRIPTION	QTY PER VARIATION 00	REFERENCE DESIGNATOR
1	D-MD-5014265-0-0	5014265-00	DRILL AND ETCH BRD.	1	
2	D-IA-7017455-0-0	7017455-1A	KEYBOARD CABLE ASSY	1	
3		1110864-00	LED 2MCD@10MA	6	D1-D6
4	D-PS-1217809-0-0	1217809-00	KEYBOARD ARRAY, 4SWTICH ASSY	1	
5	D-MD-7423970-0-0	7423970-00	GUIDE, L.E.D.	1	
6		9009751-00	SCREW, POZIDRIVE PAN HEAD, SELF-	1	
7		9009623-00	WASHER, NYLON, FLAT #2 .167 OD	1	
8	D-PS-1217787-0-0	1217787-00	KEYBOARD ARRAY, 2SWITCH ASSY	1	
9		9010033-00	SCREW,PAN,PHILLIPS, 4-24 X 3/8	4	

REVISION HISTORY		BASIC PART NO: 5414266		DRN:	DAVE DROZD	DATE:	17-DEC-79	D I G I T A L			
ENG	ECO NUMBER	REV	SECTION A OF A	CHK'D:	KENT GLEEZEN	DATE:	17-DEC-79	TITLE	PARTS LIST		
	INITIAL	A	SECTION VARIATION INDEX					KEY BOARD INTERFACE			
			[A] 00								
			[B]								
			[C]	DES.ENG:	YASH GARGE	DATE:	24-JUL-80		DOCUMENT NUMBER		
			[D]								
			[E]	RESP.ENG.:	YASH GARGE	DATE:	24-JUL-80	SIZE	CODE	NUMBER	REV
			[F]								
			[G]								
			[H]	MFG.ENG.:	JOHN HUTCHINS	DATE:	24-JUL-80	K	PL	5414266-0-DBP	A
			[I]								
			[J]	ASSEMBLY NUMBER:		TOP DOCUMENT NUMBER:		FILE NAME:	EDIT #		
			[K]	D-UA-5414266-0-0		B-DD-5414266-0-0		Z0893A.PLS	16		
			[L]								
			[M]								
			[N]								

"THIS DRAWING AND SPECIFICATIONS HEREIN, ARE THE PROPERTY OF DIGITAL EQUIPMENT CORPORATION AND SHALL NOT BE REPRODUCED OR COPIED OR USED IN WHOLE OR IN PART AS THE BASIS FOR THE MANUFACTURE OR SALE OF ITEMS WITHOUT WRITTEN PERMISSION. COPYRIGHT (C) 1980. DIGITAL EQUIPMENT CORPORATION "

REV.	CHANGE NO.	REVISIONS

DRN	LA24	FIRST USED ON
CHK'D	LA24	W REC. 77
ENG.	LA24	W REC. 77
PROJ. ENG.	LA24	W REC. 77
MOD.	LA24	W REC. 77
NEXT HIGHER ASSY.		
B-DD-5414266-0		
SIZE CODE	D	CS
NUMBER	5414266-0-1	
REV.	A	



NOTE:
 1. * D3 THRU D6 ARE OPTIONAL DIODES.
 2. S1, S2, S3, S4 ARE LOCKING SWITCHES S5, S6 ARE MOMENTARY.

THIS DRAWING AND SPECIFICATIONS HEREIN ARE THE PROPERTY OF DIGITAL EQUIPMENT CORPORATION AND SHALL NOT BE REPRODUCED OR USED IN WHOLE OR IN PART AS THE BASIS FOR THE MANUFACTURE OF ANY EQUIPMENT WITHOUT WRITTEN PERMISSION OF DIGITAL EQUIPMENT CORPORATION.

5414266-0-1 A

A I-O-9921453D 2