

**ILLUSTRATED
PARTS
BREAKDOWN**

**VAX 4000
Models 100A/105A SYSTEMS**

ILLUSTRATED PARTS BREAKDOWN (IPB)

The IPB is used to identify a part and its location in a hardware product. The document references specific item numbers in the associated parts list.

HOW TO USE THE IPB

1. Locate the figure containing the item of interest.
2. Locate the number (callout) of the item of interest.
3. Locate that item number in the associated parts list.

FORMAT

Each IPB is generally organized based on its first figure. All other assemblies and subassemblies are referenced from this figure. Each figure contains numeric callouts of all major parts (items).

PARTS LIST

Each parts list contains the following:

Figure and Item No. – Lists the figure number and its referenced numeric callout

Description – Presents the name and a brief description of the item. A single asterisk (*) preceding the description denotes item is a

subassembly to its referenced figure. A double asterisk (**) preceding the description indicates that this item is subordinate to the preceding single asterisk item.

Digital Part No. – Lists the Digital/Vendor part number. The letter in the column heading indicates the current revision level of the Engineering Drawing for the referenced figure.

ECO Cut-In – Lists the top assembly drawing number and revision level at first printing. All additional revisions to an item are listed in this column.

Used On Code – Lists letters referring to the product variation assigned in Figure 1. When this column is blank, the item is used in all variations.

Ref Fig No. – Lists a cross reference between figures within the IPB.

PART NUMBER/PART DESCRIPTION INDEX SECTION

Lists items by part number numerically, and description alphabetically. Items are also referenced to a location within the IPB by figure and item number.

ECO/REVISION HISTORY

**OTHER IPB
MANUALS
REFERENCED**

| FIGURE NO. | ASSEMBLY | INITIAL LEVEL | CURRENT LEVEL | PRINTING DATE | OTHER IPB MANUALS REFERENCED |
|------------|----------|---------------|---------------|---------------|------------------------------|
| 1 | 47DBM | 00000 | 00002 | 18-MAR-94 | EK-470AA-IP |
| 2 | 48DBM | 00000 | 00000 | | |
| 3 | 70-27106 | 00000 | 00000 | | |
| 4 | 70-26167 | 00000 | 00001 | | |

Digital Equipment Corporation reserves the right, without notice, to make substitutions and modifications in the specifications of products documented in this manual and further reserves the right to withdraw any of these products from the market without notice.

Digital Equipment Corporation is not responsible for errors which may appear in the technical description (including illustrations and photographs) of the products covered by this manual.

None of the descriptions contained in this manual imply the granting of any license whatsoever to make, use or sell equipment constructed in accordance therewith.

Restricted Rights: Use, duplication or disclosure by the U.S. Government is subject to restrictions as set forth in subparagraph (c) (1) (ii) of the Rights in Technical Data and Computer Software clause at DFARS 252.227-2713.

Copyright © 1993, 1994 by Digital Equipment Corporation. All rights reserved.
Printed in U.S.A.

The postage-paid READER'S COMMENTS form on the last page of this document requests your critical evaluation to assist us in preparing future documentation.

The following are trademarks of Digital Equipment Corporation :

DECdirect, NVAX, ThinWire, VAX and the DIGITAL logo.

MODEL 100A

INDICATES FRU LEVEL PARTS.

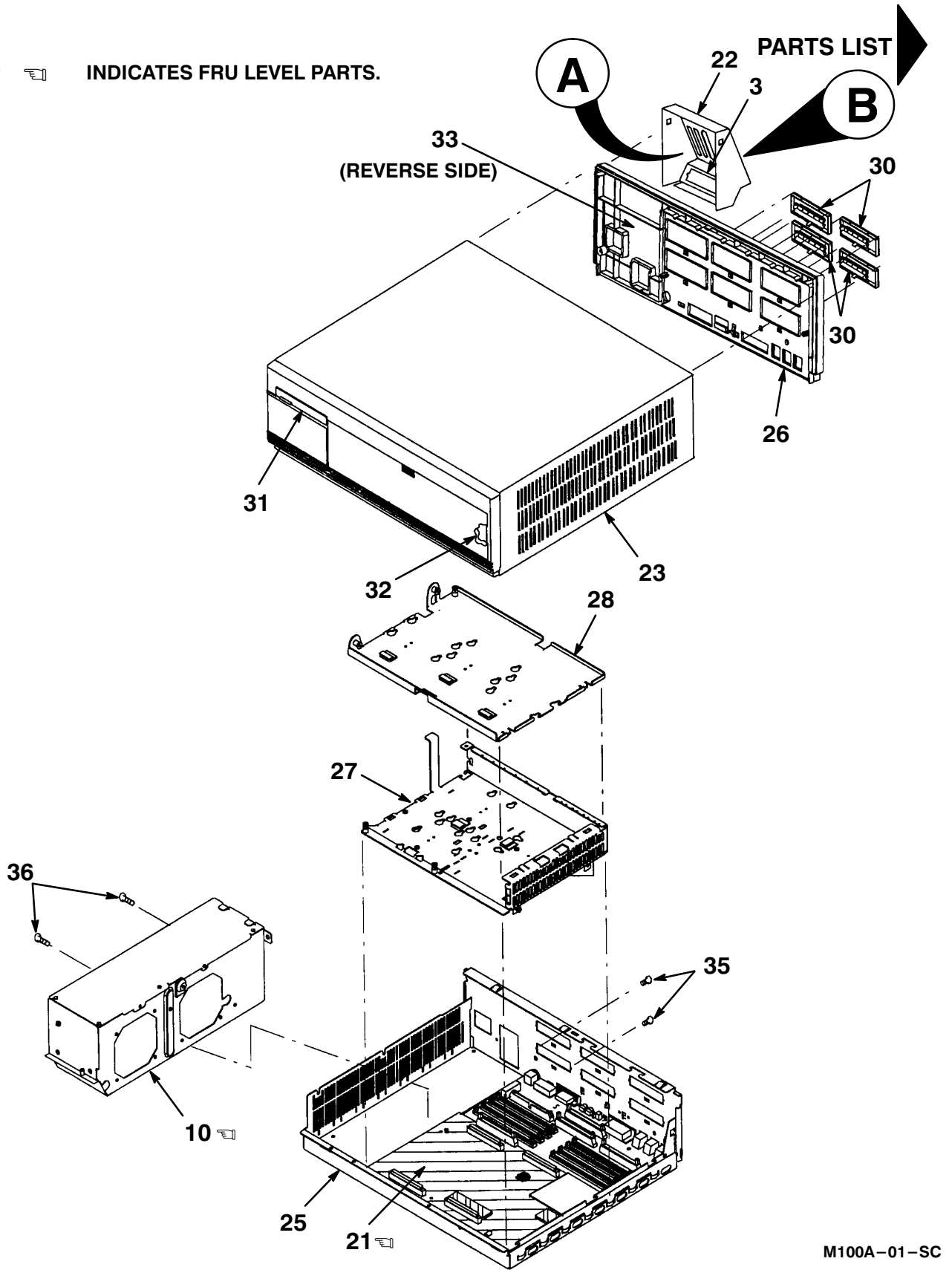


Figure 1. Enclosure, KA52 NVAX CPU BA42B Kernel (System Building Block)
(Sheet 1 of 3)

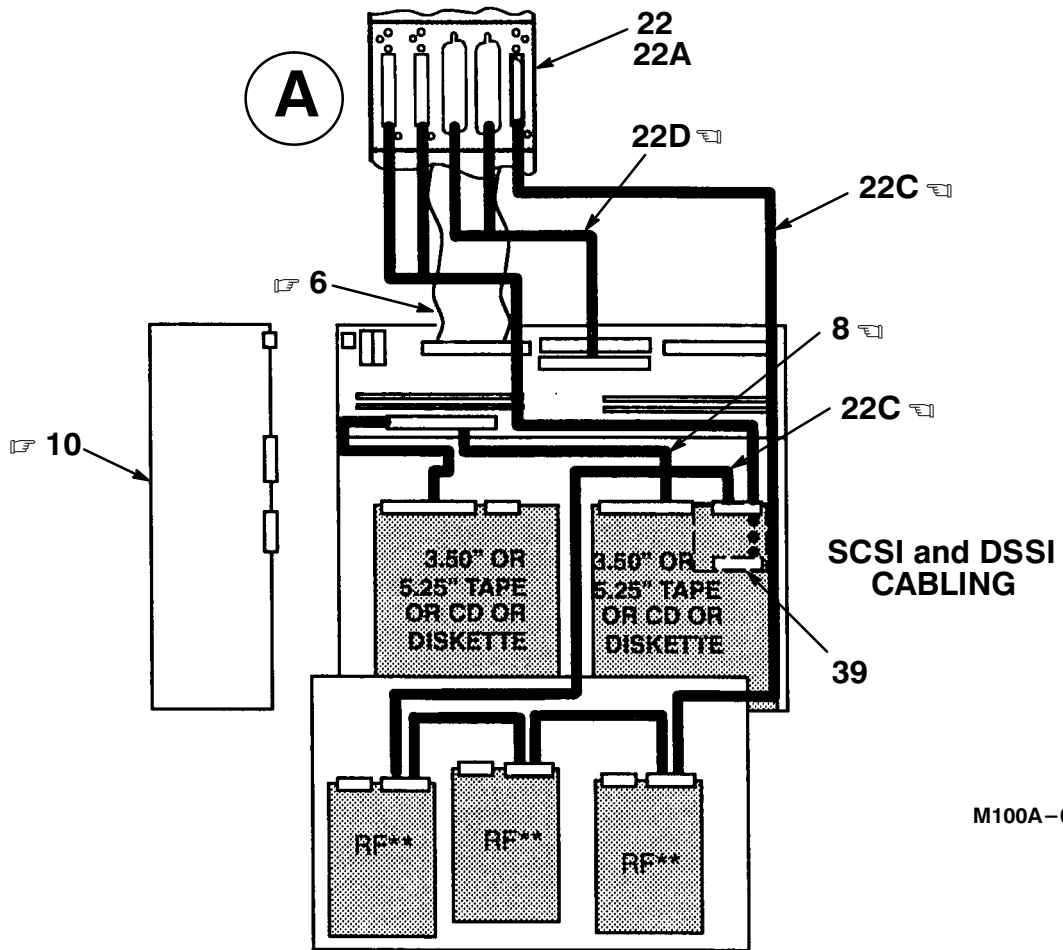
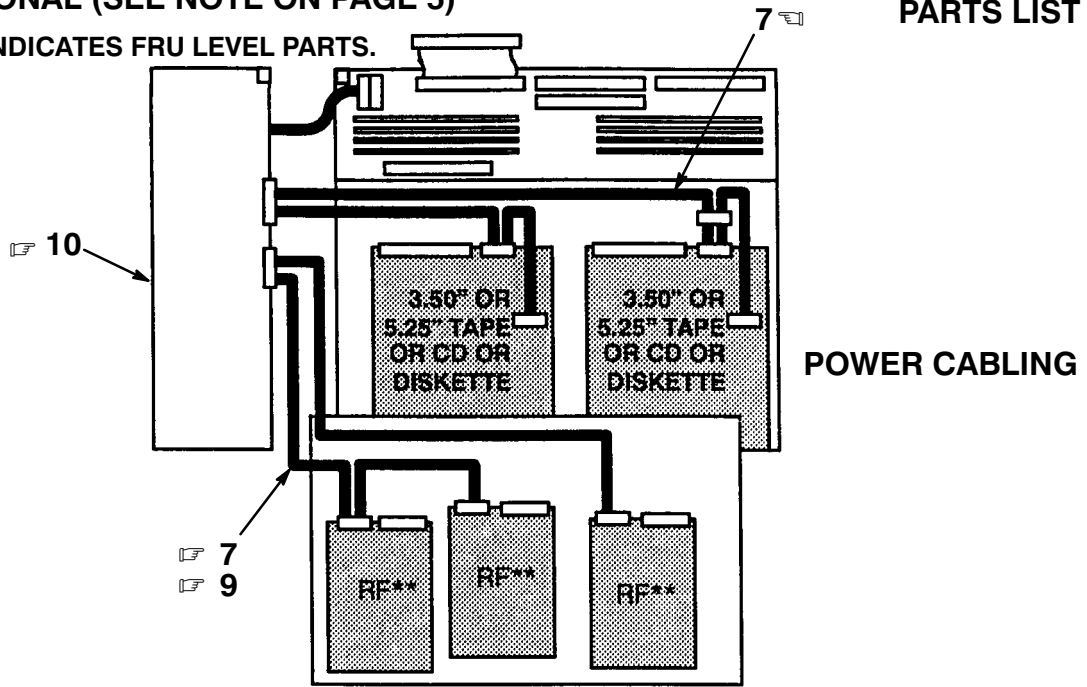


OPTIONAL (SEE NOTE ON PAGE 5)



INDICATES FRU LEVEL PARTS.

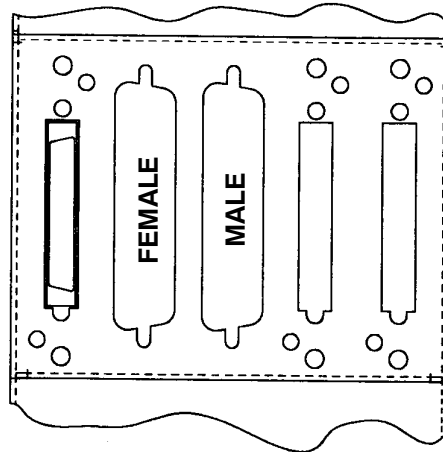
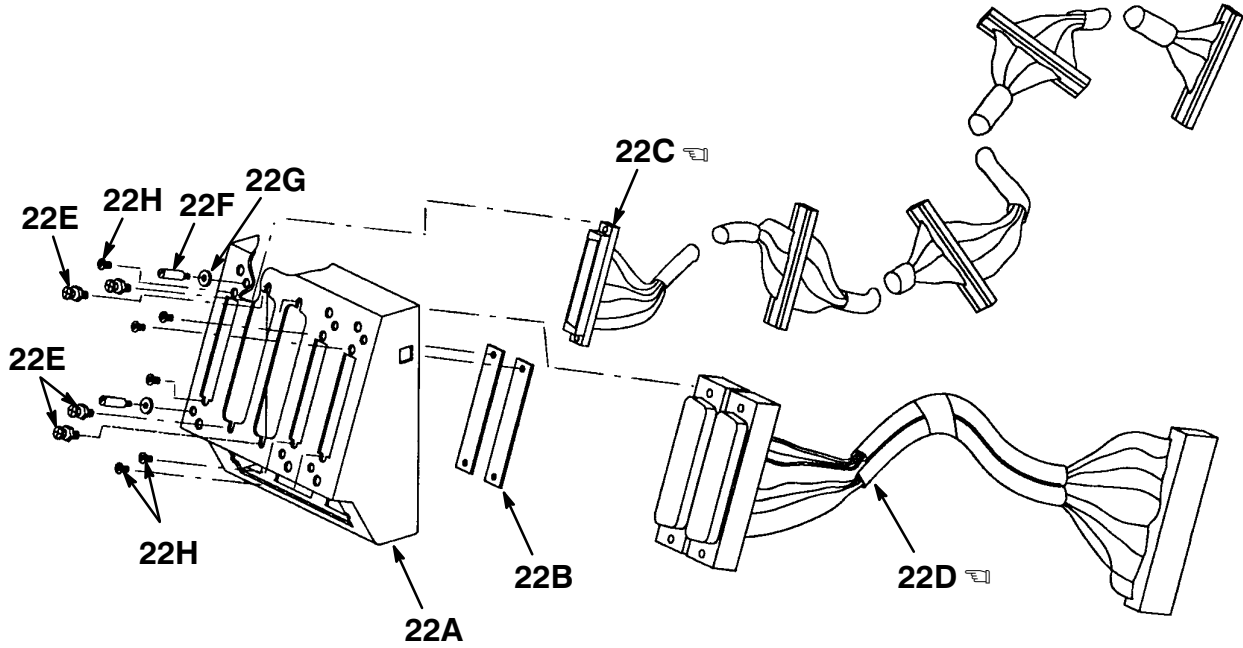
PARTS LIST



M100A-01A-SC

Figure 1. Enclosure, KA52 NVAX CPU BA42B Kernel (System Building Block)
(Sheet 2 of 3)

☞ ☞ INDICATES FRU LEVEL PARTS.



ORIENTATION OF RECEPTACLES

B

M100A-01B-SC

**Figure 1. Enclosure, KA52 NVAX CPU BA42B Kernel (System Building Block)
(Sheet 3 of 3)**

| FIG. & ITEM NO. | DESCRIPTION | DIGITAL PART NO. ^c | ECO CUT-IN 47DBM 00000 | USED ON CODE | REF FIG NO. |
|-----------------|--|-------------------------------|------------------------|--------------|-------------|
| 1- | ENCLOSURE, KA52 NVAX CPU BA42B KERNEL (SYSTEM BUILDING BLOCK) | 47DBM-B9 | | | |
| 1 | *Cable Assembly, Oval Data, 6 Cond w/MMJ On Each End (Not Shown) | BC16E-25 | | | |
| 2 | *Adapter, 25 Pin D-Sub to MMJ (Not Shown) | H8575-A | | | |
| 3 | *Grommet, Caterpillar | 12-25469-19 | | | |
| 4 | *Connector, SCSI Terminator (Not Shown) | 12-30552-01 | | | |
| 5 | *Power Cord 125V (Not Shown) | 17-00606-02 | | | |
| ☞ 6 | *Cable Assembly, Flat 50 Way, SCSI | 17-02944-01 | | | |
| ☞ 7 | *Cable Assembly, DC Harness | 17-03018-01 | | | |
| ☞ 8 | *Cable Assembly, Flat 50 Cond | 17-03587-01 | | | |
| ☞ 9 | *Harness Assembly, Wire, 05 Cond, 22AWG | 17-03615-01 | | | |
| ☞ 10 | *Power Supply Assembly, 166W, 120/240V | 30-35042-01 | | | |
| 11 | *Label, "Attention Pre-Installed Software" (Not Shown) | 36-28979-01 | | | |
| 12 | *Label, "Regulatory VS3X00" (Not Shown) | 36-30382-23 | | | |
| 13 | *Label, "Regulatory VS3X00" (Not Shown) | 36-30382-24 | | | |
| 14 | *Label, FTZ Postcard, Series BA42B (Not Shown) | 36-30422-10 | | | |
| 15 | *Label, "Diagnostic VS42A" (Not Shown) | 36-30489-01 | | | |
| 16 | *Label, "PTT Regulatory" (Not Shown) | 36-36015-02 | | | |
| 17 | *Label, "Product ID, BA42-B" (Not Shown) | 36-36394-02 | | | |
| 18 | *Label, "CE Mark" (Not Shown) | 36-36842-01 | | | |
| 19 | *Label, "OPA0 Console Port Arrow" (Not Shown) | 36-39380-01 | | | |
| 20 | *Package Assembly (Not Shown) | 37-01106-09 | | | |
| ☞ 21 | *MODULE, NVAX CPU, 128 KB Cache, SCSI | 54-21797-01 | | | |
| ☞ | **Battery, 3 Cell, .18ma Nicad, 3.75V | 12-19245-01 | | | |
| 22 | *EXPANSION ASSEMBLY, PORT | 70-22861-01 | | | |
| 22A | **Cover, Expansion Port | 74-46957-01 | | | |
| 22B | **Blank, DSSI | 74-46956-01 | | | |
| ☞ 22C | **Cable Assembly, Round, 50 Cond | 17-03544-01 | | | |
| ☞ 22D | **Cable Assembly, 100 Cond | 17-03545-01 | | | |
| 22E | **Post Assembly, Locking | 12-18672-00 | | | |
| 22F | **Pin, Alignment | 12-30363-01 | | | |
| 22G | **Washer, Flat | 90-08877-00 | | | |
| 22H | **Screw, Mach M2.5, Flat Hd, 8mm | 90-10917-01 | | | |
| 23 | *COVER ASSEMBLY | 70-26167-01 | | | 4 |
| 24 | *Kit, ThickWire/ThinWire Ethernet (Not Shown) | 70-26209-01 | | | |
| 25 | *BASE ASSEMBLY | 70-27106-01 | | | 3 |
| 26 | *Bezel Assembly, Rear | 70-27107-01 | | | |
| 27 | *Shelf, Lower Drive Assembly | 70-27108-01 | | | |
| 28 | *Shelf, Upper Drive Assembly | 70-27109-01 | | | |
| 29 | *Cover, FCC Blanking Option (Not Shown) | 70-28539-01 | | | |

| FIG. & ITEM NO. | DESCRIPTION | DIGITAL PART NO. ^c | ECO CUT-IN 47DBM 00000 | USED ON CODE | REF FIG NO. |
|-----------------|---|--|------------------------|--------------|-------------|
| 1- | <p>30 *Cover, FCC Blanking Comms</p> <p>31 *Medallion, VAX 4000-100A</p> <p>32 *Insert, Bezel (PVS)</p> <p>33 *Box, Port Expander</p> <p>34 *Screw Assembly, Lock (Not Shown)</p> <p>35 *Screw, Sems Pan Hd No. 4-40 x 3/8</p> <p>36 *Screw, Sems Pan Hd No. 6-32 x 5/16</p> <p>37 *Cable Clamp, Strain Relief (Not Shown)</p> <p>38 *Bag, Poly Reclose (Not Shown)</p> <p>39 *Connector, DSSI Terminator</p> <p>Note: Drives are not part of this assembly and are shown for reference only. For more information on optional items, refer to the following VAX 4000-100A/105A Platform Maintenance Information manuals:</p> <p>Documentation, "BA42B Enclosure Maintenance Manual" (Not Shown)</p> <p>Documentation, "KA52/KA53 CPU System Maintenance Manual" (Not Shown)</p> <p>Documentation, "System Options Manual" (Not Shown)</p> <p>Note: For VAX 4000 Model 100 System IPB Manual, Refer To EK-470AA-IP.</p> | <p>70-28359-02</p> <p>74-37642-31</p> <p>74-38027-01</p> <p>74-45705-01</p> <p>90-08451-00</p> <p>90-09643-00</p> <p>90-09984-07</p> <p>90-11237-02</p> <p>99-06557-30</p> <p>12-29258-01</p> <p>EK-472AB-MG</p> <p>EK-473AB-MG</p> <p>EK-474AB-OP</p> | | | |

THIS PAGE INTENTIONALLY LEFT BLANK

MODEL 105A

INDICATES FRU LEVEL PARTS.

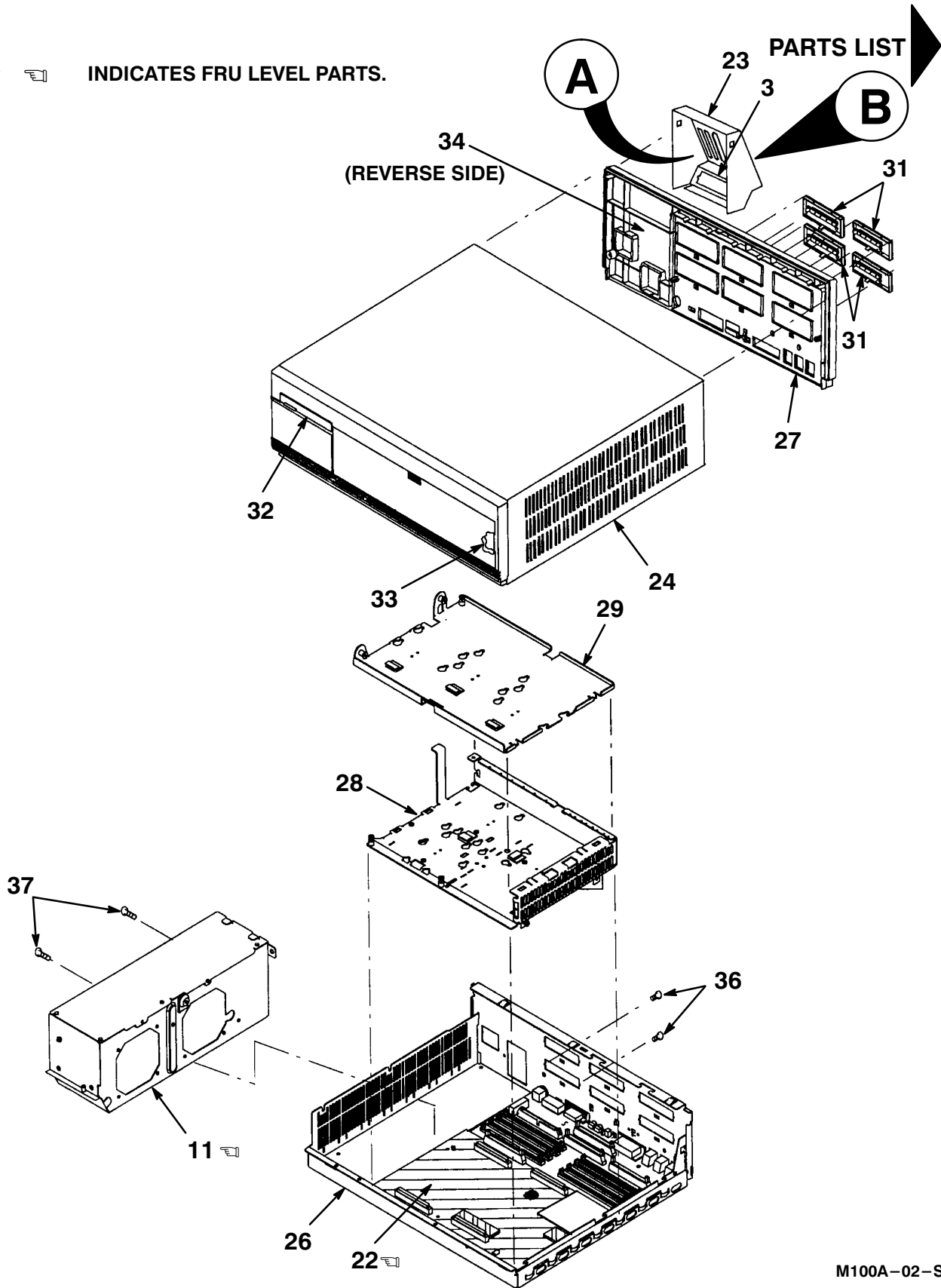


Figure 2. Enclosure, KA53 NVAX CPU BA42B Kernel (System Building Block)
(Sheet 1 of 3)

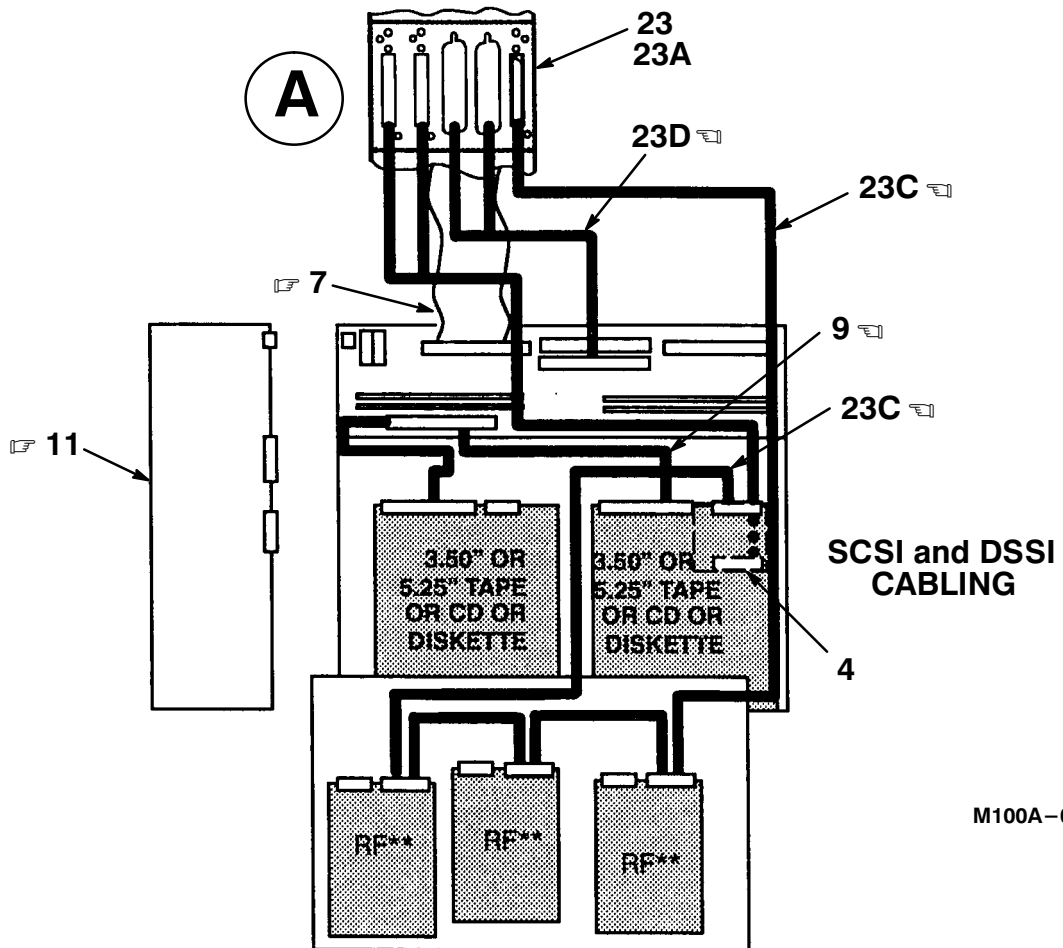
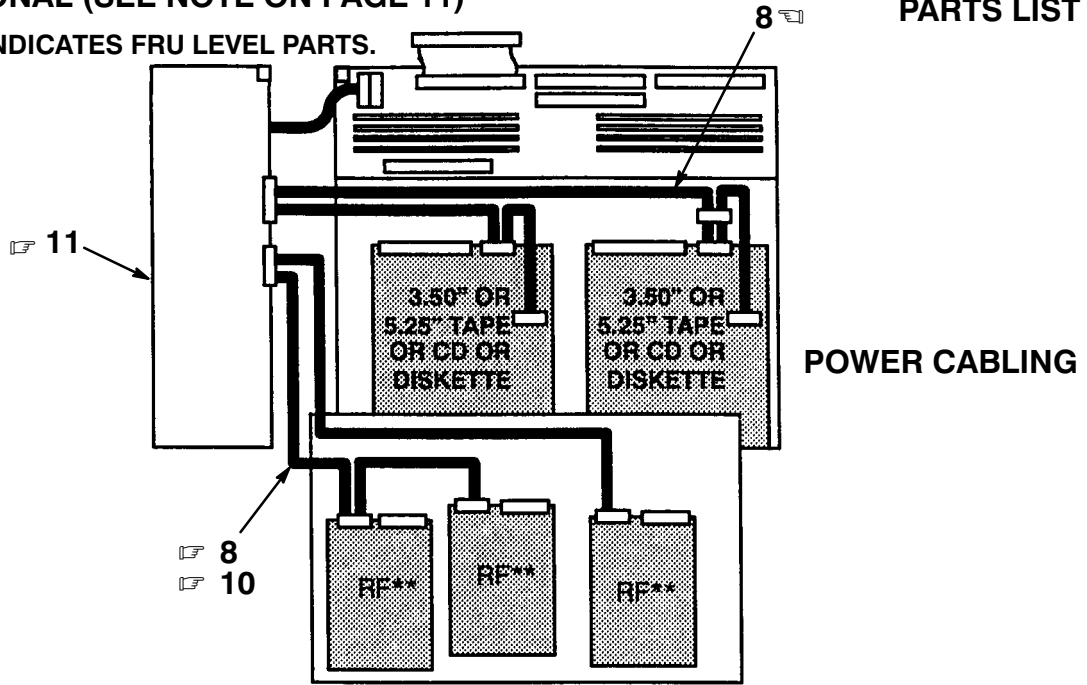


OPTIONAL (SEE NOTE ON PAGE 11)



INDICATES FRU LEVEL PARTS.

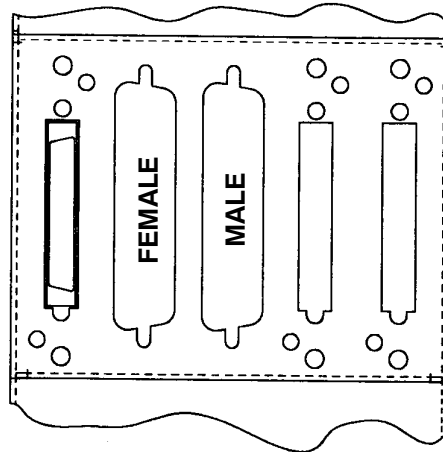
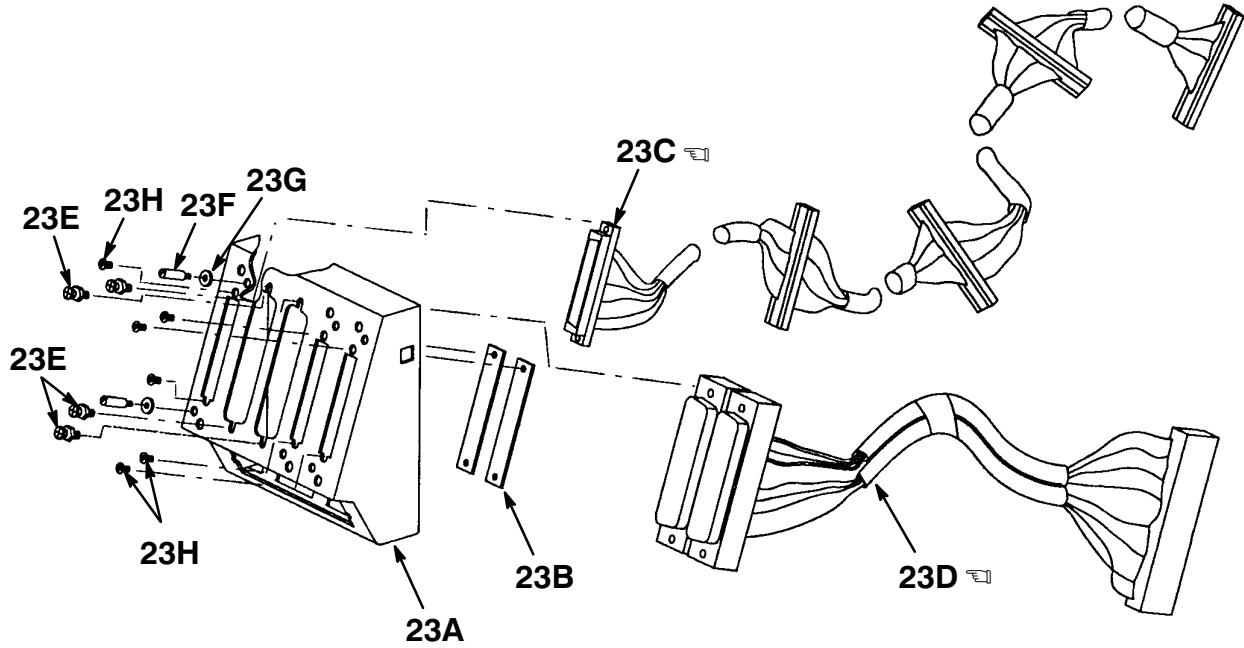
PARTS LIST



M100A-02A-SC

Figure 2. Enclosure, KA53 NVAX CPU BA42B Kernel (System Building Block)
(Sheet 2 of 3)

INDICATES FRU LEVEL PARTS.



ORIENTATION OF RECEPTACLES

B

M100A-02B-SC

Figure 2. Enclosure, KA53 NVAX CPU BA42B Kernel (System Building Block)
(Sheet 3 of 3)

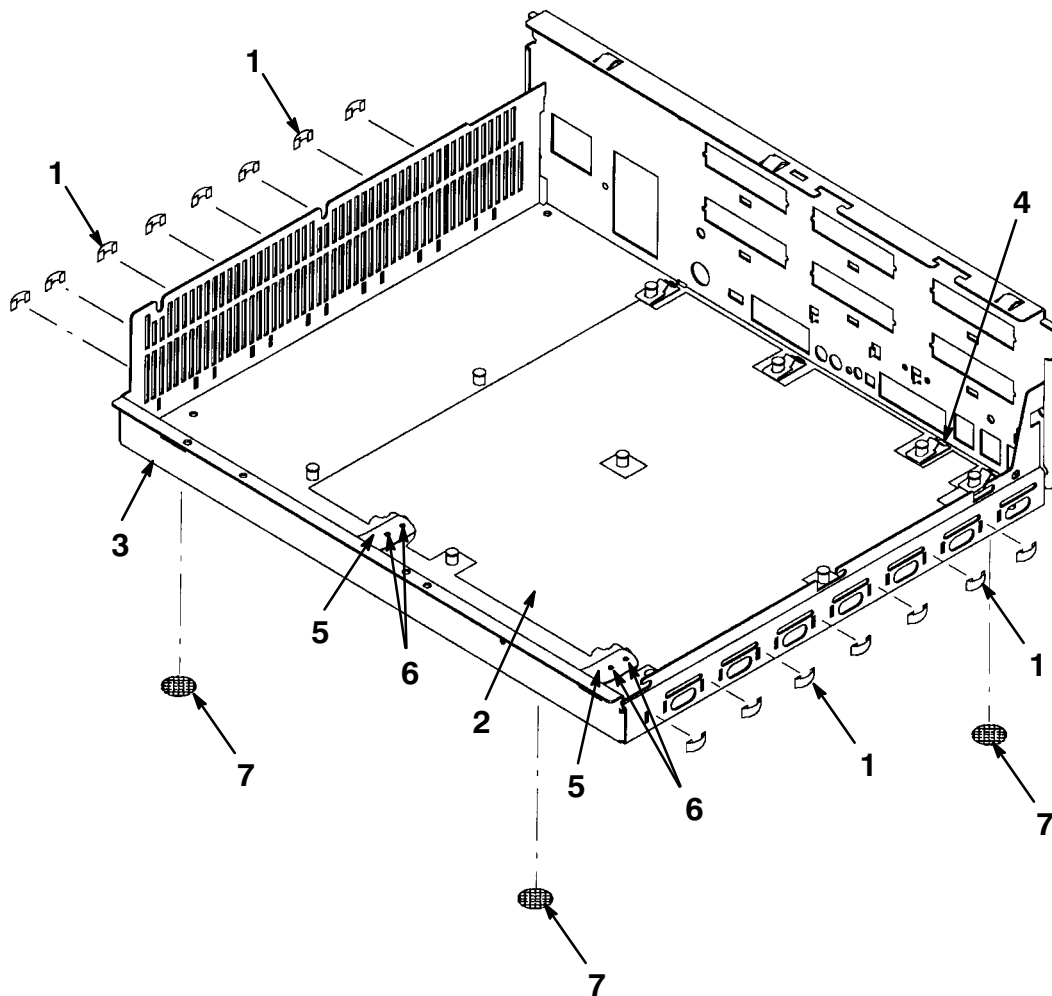
| FIG. & ITEM NO. | DESCRIPTION | DIGITAL PART NO. ^A | ECO CUT-IN 48DBM 00000 | USED ON CODE | REF FIG NO. |
|-----------------|---|-------------------------------|------------------------|--------------|-------------|
| 2- | ENCLOSURE, KA53 NVAX CPU BA42B KERNEL (SYSTEM BUILDING BLOCK) | 48DBM-B9 | | | |
| 1 | *Cable Assembly, Oval Data, 6 Cond w/MMJ On Each End (Not Shown) | BC16E-25 | | | |
| 2 | *Adapter, 25 Pin D-Sub to MMJ (Not Shown) | H8575-A | | | |
| 3 | *Grommet, Caterpillar | 12-25469-19 | | | |
| 4 | *Connector, DSSI Terminator | 12-29258-01 | | | |
| 5 | *Connector, SCSI Terminator (Not Shown) | 12-30552-01 | | | |
| 6 | *Power Cord 125V (Not Shown) | 17-00606-02 | | | |
| ☞ 7 | *Cable Assembly, Flat 50 Way, SCSI | 17-02944-01 | | | |
| ☞ 8 | *Cable Assembly, DC Harness | 17-03018-01 | | | |
| ☞ 9 | *Cable Assembly, Flat 50 Cond (See Note 1) | 17-03587-01 | | | |
| ☞ 10 | *Harness Assembly, Wire, 05 Cond, 22AWG | 17-03615-01 | | | |
| ☞ 11 | *Power Supply Assembly, 166W, 120/240V | 30-35042-01 | | | |
| 12 | *Label, "Regulatory VS3X00" (Not Shown) | 36-30382-23 | | | |
| 13 | *Label, "Regulatory VS3X00" (Not Shown) | 36-30382-24 | | | |
| 14 | *Label, "Attention Pre-Installed Software" (Not Shown) | 36-28979-01 | | | |
| 15 | *Label, FTZ Postcard, Series BA42B (Not Shown) | 36-30422-10 | | | |
| 16 | *Label, "Diagnostic VS42A" (Not Shown) | 36-30489-01 | | | |
| 17 | *Label, "PTT Regulatory" (Not Shown) | 36-36015-03 | | | |
| 18 | *Label, "Product ID, BA42-B" (Not Shown) | 36-36394-02 | | | |
| 19 | *Label, "CE Mark" (Not Shown) | 36-36842-01 | | | |
| 20 | *Label, "OPA0 Console Port Arrow" (Not Shown) | 36-39380-01 | | | |
| 21 | *Package Assembly (Not Shown) | 37-01106-09 | | | |
| ☞ 22 | *MODULE, NVAX CPU, 512 KB Cache, SCSI | 54-21797-02 | | | |
| ☞ | **Battery, 3 Cell, .18ma Nicad, 3.75V | 12-19245-01 | | | |
| 23 | *EXPANSION ASSEMBLY, PORT | 70-22861-01 | | | |
| 23A | **Cover, Expansion Port | 74-46957-01 | | | |
| 23B | **Blank, DSSI | 74-46956-01 | | | |
| ☞ 23C | **Cable Assembly, Round, 50 Cond | 17-03544-01 | | | |
| ☞ 23D | **Cable Assembly, 100 Cond | 17-03545-01 | | | |
| 23E | **Post Assembly, Locking | 12-18672-00 | | | |
| 23F | **Pin, Alignment | 12-30363-01 | | | |
| 23G | **Washer, Flat | 90-08877-00 | | | |
| 23H | **Screw, Mach M2.5, Flat Hd, 8mm | 90-10917-01 | | | |
| | NOTE 1: 17-03016-01 Can Be Used As A Substitute Part For Line Item 9. | | | | |

| FIG. & ITEM NO. | DESCRIPTION | DIGITAL PART NO. ^A | ECO CUT-IN 48DBM 00000 | USED ON CODE | REF FIG NO. |
|-----------------|---|-------------------------------|------------------------|--------------|-------------|
| 2- | | | | | |
| 24 | *COVER ASSEMBLY | 70-26167-01 | | | 4 |
| 25 | *Kit, Thickwire/ThinWire Ethernet (Not Shown) | 70-26209-01 | | | |
| 26 | *BASE ASSEMBLY | 70-27106-01 | | | 3 |
| 27 | *Bezel Assembly, Rear | 70-27107-01 | | | |
| 28 | *Shelf, Lower Drive Assembly | 70-27108-01 | | | |
| 29 | *Shelf, Upper Drive Assembly | 70-27109-01 | | | |
| 30 | *Cover, FCC Blanking Option (Not Shown) | 70-28539-01 | | | |
| 31 | *Cover, FCC Blanking Comms | 70-28359-02 | | | |
| 32 | *Medallion, VAX 4000-105A | 74-37642-32 | | | |
| 33 | *Insert, Bezel | 74-38027-01 | | | |
| 34 | *Box, Port Expander | 74-45705-01 | | | |
| 35 | *Screw Assembly, Lock (Not Shown) | 90-08451-00 | | | |
| 36 | *Screw, Sems Pan Hd No. 4-40 x 3/8 | 90-09643-00 | | | |
| 37 | *Screw, Sems Pan Hd No. 6-32 x 5/16 | 90-09984-07 | | | |
| 38 | *Cable Clamp, Strain Relief (Not Shown) (See Note 2) | 90-11237-02 | | | |
| 39 | *Bag, Poly Reclose (Not Shown) | 99-06557-30 | | | |
| | <p>Note: Drives are not part of this assembly and are shown for reference only. For more information on optional items, refer to the following VAX 4000-100A/105A Platform Maintenance Information manuals:</p> | | | | |
| | Documentation, "BA42B Enclosure Maintenance Manual" (Not Shown) | EK-472AB-MG | | | |
| | Documentation, "KA52/KA53 CPU System Manual" (Not Shown) | EK-473AB-MG | | | |
| | Documentation, "System Options Manual" (Not Shown) | EK-474AB-OP | | | |
| | <p>NOTE 2: 90-11237-01 Can Be Used As A Substitute Part For Line Item 38.</p> | | | | |

THIS PAGE INTENTIONALLY LEFT BLANK

| FIG. & ITEM NO. | DESCRIPTION | DIGITAL PART NO. | ECO CUT-IN 70-27106 00000 | USED ON CODE | REF FIG NO. |
|-----------------|-----------------------------|------------------|---------------------------------|--------------|-------------|
| 3- | BASE ASSEMBLY | 70-27106-01 | | | 1, 2 |
| 1 | *Finger, Non-Snag Grounding | 12-26922-01 | | | |
| 2 | *Sheet, CPU Insulation | 12-39980-01 | | | |
| 3 | *Base | 74-41871-01 | | | |
| 4 | *Gasket, CPU Grounding | 74-42429-01 | | | |
| 5 | *Cantilever, CPU Retention | 74-42448-01 | | | |
| 6 | *Rivet, Repetition Clinch | 90-00052-01 | | | |
| 7 | *Foot, Self Adhesive | 12-35649-01 | | | |

 INDICATES FRU LEVEL PARTS.

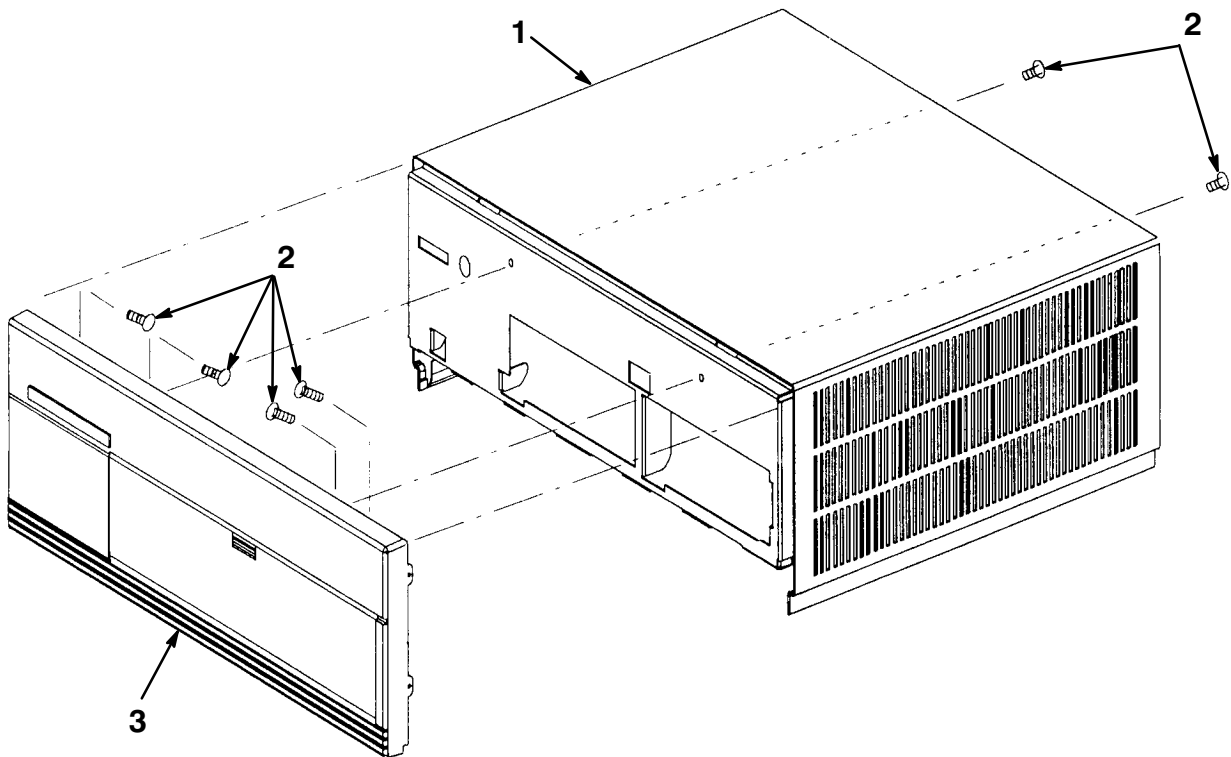


M100A-03-SC

Figure 3. Base Assembly

| FIG. & ITEM NO. | DESCRIPTION | DIGITAL PART NO. | ECO CUT-IN 70-26167 00001 | USED ON CODE | REF FIG NO. |
|-----------------|--|------------------|---------------------------------|--------------|-------------|
| 4- | COVER ASSEMBLY | 70-26167-01 | | | 1, 2 |
| 1 | *Cover (Weldment) | 70-26169-01 | | | |
| 2 | *Screw, Self-Tap Flat Hd No. 4-20 x 3/16 | 90-10411-01 | | | |
| 3 | *Bezel Assembly, Front | 70-26168-01 | | | |
| | | | | | Ω |

 INDICATES FRU LEVEL PARTS.



M100A-04-SC

Figure 4. Cover Assembly

PART NUMBER/DESCRIPTION INDEX 

INDEX BY DIGITAL PART NUMBER
VAX 4000 Models 100A/105A Systems

| PART NO. | DESCRIPTION | FIG NO. | ITEM NO. |
|-------------|---|---------|----------|
| 12-18672-00 | Post Assembly, Locking | 1 | 22E |
| 12-18672-00 | Post Assembly, Locking | 2 | 23E |
| 12-19245-01 | Battery, 3 Cell, .18ma Nicad, 3.75V | 1 | 21 |
| 12-19245-01 | Battery, 3 Cell, .18ma Nicad, 3.75V | 2 | 22 |
| 12-25469-19 | Grommet, Caterpillar | 1 | 3 |
| 12-25469-19 | Grommet, Caterpillar | 2 | 3 |
| 12-26922-01 | Finger, Non-Snag Grounding | 3 | 1 |
| 12-29258-01 | Connector, DSSI Terminator | 1 | 39 |
| 12-29258-01 | Connector, DSSI Terminator | 2 | 4 |
| 12-30363-01 | Pin, Alignment | 1 | 22F |
| 12-30363-01 | Pin, Alignment | 2 | 23F |
| 12-30552-01 | Connector, SCSI Terminator (Not Shown) | 1 | 4 |
| 12-30552-01 | Connector, SCSI Terminator (Not Shown) | 2 | 5 |
| 12-35649-01 | Foot, Self Adhesive | 3 | 7 |
| 12-39980-01 | Sheet, CPU Insulation | 3 | 2 |
| 17-00606-02 | Power Cord 125V (Not Shown) | 1 | 5 |
| 17-00606-02 | Power Cord 125V (Not Shown) | 2 | 6 |
| 17-02944-01 | Cable Assembly, Flat 50 Way, SCSI | 1 | 6 |
| 17-02944-01 | Cable Assembly, Flat 50 Way, SCSI | 2 | 7 |
| 17-03018-01 | Cable Assembly, DC Harness | 1 | 7 |
| 17-03018-01 | Cable Assembly, DC Harness | 2 | 8 |
| 17-03544-01 | Cable Assembly, Round, 50 Cond | 1 | 22C |
| 17-03544-01 | Cable Assembly, Round, 50 Cond | 2 | 23C |
| 17-03545-01 | Cable Assembly, 100 Cond | 1 | 22D |
| 17-03545-01 | Cable Assembly, 100 Cond | 2 | 23D |
| 17-03587-01 | Cable Assembly, Flat 50 Cond | 1 | 8 |
| 17-03587-01 | Cable Assembly, Flat 50 Cond | 2 | 9 |
| 17-03615-01 | Harness Assembly, Wire, 05 Cond, 22AWG | 1 | 9 |
| 17-03615-01 | Harness Assembly, Wire, 05 Cond, 22AWG | 2 | 10 |
| 30-35042-01 | Power Supply Assembly, 166W, 120/240V | 1 | 10 |
| 30-35042-01 | Power Supply Assembly, 166W, 120/240V | 2 | 11 |
| 36-28979-01 | Label, "Attention Pre-Installed Software" (Not Shown) | 1 | 11 |
| 36-28979-01 | Label, "Attention Pre-Installed Software" (Not Shown) | 2 | 14 |
| 36-30382-23 | Label, "Regulatory VS3X00" (Not Shown) | 1 | 12 |
| 36-30382-23 | Label, "Regulatory VS3X00" (Not Shown) | 2 | 12 |
| 36-30382-24 | Label, "Regulatory VS3X00" (Not Shown) | 1 | 13 |
| 36-30382-24 | Label, "Regulatory VS3X00" (Not Shown) | 2 | 13 |
| 36-30422-10 | Label, FTZ Postcard, Series BA42B (Not Shown) | 1 | 14 |
| 36-30422-10 | Label, FTZ Postcard, Series BA42B (Not Shown) | 2 | 15 |
| 36-30489-01 | Label, "Diagnostic VS42A" (Not Shown) | 1 | 15 |
| 36-30489-01 | Label, "Diagnostic VS42A" (Not Shown) | 2 | 16 |
| 36-36015-02 | Label, "PTT Regulatory" (Not Shown) | 1 | 16 |
| 36-36015-03 | Label, "PTT Regulatory" (Not Shown) | 2 | 17 |
| 36-36394-02 | Label, "Product ID, BA42-B" (Not Shown) | 1 | 17 |
| 36-36394-02 | Label, "Product ID, BA42-B" (Not Shown) | 2 | 18 |
| 36-36842-01 | Label, "CE Mark" (Not Shown) | 1 | 18 |
| 36-36842-01 | Label, "CE Mark" (Not Shown) | 2 | 19 |
| 36-39380-01 | Label, "OPA0 Console Port Arrow" (Not Shown) | 1 | 19 |
| 36-39380-01 | Label, "OPA0 Console Port Arrow" (Not Shown) | 2 | 20 |
| 37-01106-09 | Package Assembly (Not Shown) | 1 | 20 |
| 37-01106-09 | Package Assembly (Not Shown) | 2 | 21 |

INDEX BY DIGITAL PART NUMBER
VAX 4000 Models 100A/105A Systems

| PART NO. | DESCRIPTION | FIG NO. | ITEM NO. |
|-------------|--|---------|----------|
| 47DBM-B9 | ENCLOSURE, KA52 NVAX CPU BA42B KERNEL (SYSTEM BUILDING BLOCK) | 1 | N/A |
| 48DBM-B9 | ENCLOSURE, KA53 NVAX CPU BA42B KERNEL (SYSTEM BUILDING BLOCK) | 2 | N/A |
| 54-21797-01 | MODULE, NVAX CPU, 128 KB Cache, SCSI | 1 | 21 |
| 54-21797-02 | MODULE, NVAX CPU, 512 KB Cache, SCSI | 2 | 22 |
| 70-22861-01 | EXPANSION ASSEMBLY, PORT | 1 | 22 |
| 70-22861-01 | EXPANSION ASSEMBLY, PORT | 2 | 23 |
| 70-26167-01 | COVER ASSEMBLY | 1 | 23 |
| 70-26167-01 | COVER ASSEMBLY | 2 | 24 |
| 70-26167-01 | COVER ASSEMBLY | 4 | N/A |
| 70-26168-01 | Bezel Assembly, Front | 4 | 3 |
| 70-26169-01 | Cover (Weldment) | 4 | 1 |
| 70-26209-01 | Kit, Thickwire/ThinWire Ethernet (Not Shown) | 1 | 24 |
| 70-26209-01 | Kit, Thickwire/ThinWire Ethernet (Not Shown) | 2 | 25 |
| 70-27106-01 | BASE ASSEMBLY | 1 | 25 |
| 70-27106-01 | BASE ASSEMBLY | 2 | 26 |
| 70-27106-01 | BASE ASSEMBLY | 3 | N/A |
| 70-27107-01 | Bezel Assembly, Rear | 1 | 26 |
| 70-27107-01 | Bezel Assembly, Rear | 2 | 27 |
| 70-27108-01 | Shelf, Lower Drive Assembly | 1 | 27 |
| 70-27108-01 | Shelf, Lower Drive Assembly | 2 | 28 |
| 70-27109-01 | Shelf, Upper Drive Assembly | 1 | 28 |
| 70-27109-01 | Shelf, Upper Drive Assembly | 2 | 29 |
| 70-28359-02 | Cover, FCC Blanking Comms | 1 | 30 |
| 70-28359-02 | Cover, FCC Blanking Comms | 2 | 31 |
| 70-28539-01 | Cover, FCC Blanking Option (Not Shown) | 1 | 29 |
| 70-28539-01 | Cover, FCC Blanking Option (Not Shown) | 2 | 30 |
| 74-37642-31 | Medallion, VAX 4000-100A | 1 | 31 |
| 74-37642-32 | Medallion, VAX 4000-105A | 2 | 32 |
| 74-38027-01 | Insert, Bezel | 2 | 33 |
| 74-38027-01 | Insert, Bezel (PVS) | 1 | 32 |
| 74-41871-01 | Base | 3 | 3 |
| 74-42429-01 | Gasket, CPU Grounding | 3 | 4 |
| 74-42448-01 | Cantilever, CPU Retention | 3 | 5 |
| 74-45705-01 | Box, Port Expander | 1 | 33 |
| 74-45705-01 | Box, Port Expander | 2 | 34 |
| 74-46956-01 | Blank, DSSI | 1 | 22B |
| 74-46956-01 | Blank, DSSI | 2 | 23B |
| 74-46957-01 | Cover, Expansion Port | 1 | 22A |
| 74-46957-01 | Cover, Expansion Port | 2 | 23A |
| 90-00052-01 | Rivet, Repetition Clinch | 3 | 6 |
| 90-08451-00 | Screw Assembly, Lock (Not Shown) | 1 | 34 |
| 90-08451-00 | Screw Assembly, Lock (Not Shown) | 2 | 35 |
| 90-08877-00 | Washer, Flat | 1 | 22G |
| 90-08877-00 | Washer, Flat | 2 | 23G |
| 90-09643-00 | Screw, Sems Pan Hd No. 4-40 x 3/8 | 1 | 35 |
| 90-09643-00 | Screw, Sems Pan Hd No. 4-40 x 3/8 | 2 | 36 |
| 90-09984-07 | Screw, Sems Pan Hd No. 6-32 x 5/16 | 1 | 36 |
| 90-09984-07 | Screw, Sems Pan Hd No. 6-32 x 5/16 | 2 | 37 |
| 90-10411-01 | Screw, Self-Tap Flat Hd No. 4-20 x 3/16 | 4 | 2 |
| 90-10917-01 | Screw, Mach M2.5, Flat Hd, 8mm | 1 | 22H |

INDEX BY DIGITAL PART NUMBER
VAX 4000 Models 100A/105A Systems

| PART NO. | DESCRIPTION | FIG NO. | ITEM NO. |
|-------------|--|------------|-------------|
| 90-10917-01 | Screw, Mach M2.5, Flat Hd, 8mm | 2 | 23H |
| 90-11237-02 | Cable Clamp, Strain Relief (Not Shown) | 1 | 37 |
| 90-11237-02 | Cable Clamp, Strain Relief (Not Shown) | 2 | 38 |
| 99-06557-30 | Bag, Poly Reclose (Not Shown) | 1 | 38 |
| 99-06557-30 | Bag, Poly Reclose (Not Shown) | 2 | 39 |
| BC16E-25 | Cable Assembly, Oval Data, 6 Cond w/MMJ On Each End (Not Shown) | 1 | 1 |
| BC16E-25 | Cable Assembly, Oval Data, 6 Cond w/MMJ On Each End (Not Shown) | 1 | 2 |
| EK-472AB-MG | Documentation, "BA42B Enclosure Maintenance Manual" | 1 | Not Shown |
| EK-472AB-MG | Documentation, "BA42B Enclosure Maintenance Manual" | 2 | Not Shown |
| EK-473AB-MG | Documentation, "KA52/KA53 CPU System Manual" | 1 | Not Shown |
| EK-473AB-MG | Documentation, "KA52/KA53 CPU System Manual" | 2 | Not Shown |
| EK-474AB-OP | Documentation, "System Options Manual" | 1 | Not Shown |
| EK-474AB-OP | Documentation, "System Options Manual" | 2 | Not Shown |
| H8575-A | Adapter, 25 Pin D-Sub to MMJ (Not Shown) | 1 | 2 |
| H8575-A | Adapter, 25 Pin D-Sub to MMJ (Not Shown) | 2 | 2 |

INDEX BY DIGITAL PART NUMBER
VAX 4000 Models 100A/105A Systems

**PART
NO.**

DESCRIPTION

**FIG
NO.**

**ITEM
NO.**

THIS PAGE INTENTIONALLY LEFT BLANK

INDEX BY DIGITAL PART DESCRIPTION

VAX 4000 Models 100A/105A Systems

| DESCRIPTION | PART NO. | FIG. NO. | ITEM NO. |
|---|-------------|----------|-----------|
| Adapter, 25 Pin D–Sub to MMJ (Not Shown) | H8575–A | 1 | 2 |
| Adapter, 25 Pin D–Sub to MMJ (Not Shown) | H8575–A | 2 | 2 |
| Bag, Poly Reclose (Not Shown) | 99–06557–30 | 1 | 38 |
| Bag, Poly Reclose (Not Shown) | 99–06557–30 | 2 | 39 |
| BASE ASSEMBLY | 70–27106–01 | 1 | 25 |
| BASE ASSEMBLY | 70–27106–01 | 2 | 26 |
| BASE ASSEMBLY | 70–27106–01 | 3 | N/A |
| Base | 74–41871–01 | 3 | 3 |
| Battery, 3 Cell, .18ma Nicad, 3.75V | 12–19245–01 | 1 | 21 |
| Battery, 3 Cell, .18ma Nicad, 3.75V | 12–19245–01 | 2 | 22 |
| Bezel Assembly, Front | 70–26168–01 | 4 | 3 |
| Bezel Assembly, Rear | 70–27107–01 | 1 | 26 |
| Bezel Assembly, Rear | 70–27107–01 | 2 | 27 |
| Blank, DSSI | 74–46956–01 | 1 | 22B |
| Blank, DSSI | 74–46956–01 | 2 | 23B |
| Box, Port Expander | 74–45705–01 | 1 | 33 |
| Box, Port Expander | 74–45705–01 | 2 | 34 |
| Cable Assembly, 100 Cond | 17–03545–01 | 1 | 22D |
| Cable Assembly, 100 Cond | 17–03545–01 | 2 | 23D |
| Cable Assembly, DC Harness | 17–03018–01 | 1 | 7 |
| Cable Assembly, DC Harness | 17–03018–01 | 2 | 8 |
| Cable Assembly, Flat 50 Cond | 17–03587–01 | 1 | 8 |
| Cable Assembly, Flat 50 Cond | 17–03587–01 | 2 | 9 |
| Cable Assembly, Flat 50 Way, SCSI | 17–02944–01 | 1 | 6 |
| Cable Assembly, Flat 50 Way, SCSI | 17–02944–01 | 2 | 7 |
| Cable Assembly, Oval Data, 6 Cond w/MMJ On Each End (Not Shown) | BC16E–25 | 1 | 1 |
| Cable Assembly, Oval Data, 6 Cond w/MMJ On Each End (Not Shown) | BC16E–25 | 2 | 1 |
| Cable Assembly, Round, 50 Cond | 17–03544–01 | 1 | 22C |
| Cable Assembly, Round, 50 Cond | 17–03544–01 | 2 | 23C |
| Cable Clamp, Strain Relief (Not Shown) | 90–11237–02 | 1 | 37 |
| Cable Clamp, Strain Relief (Not Shown) | 90–11237–02 | 2 | 38 |
| Cantilever, CPU Retention | 74–42448–01 | 3 | 5 |
| Connector, DSSI Terminator | 12–29258–01 | 1 | 39 |
| Connector, DSSI Terminator | 12–29258–01 | 2 | 4 |
| Connector, SCSI Terminator (Not Shown) | 12–30552–01 | 1 | 4 |
| COVER ASSEMBLY | 70–26167–01 | 1 | 23 |
| COVER ASSEMBLY | 70–26167–01 | 2 | 24 |
| COVER ASSEMBLY | 70–26167–01 | 4 | N/A |
| Connector, SCSI Terminator (Not Shown) | 12–30552–01 | 2 | 5 |
| Cover, Expansion Port | 74–46957–01 | 1 | 22A |
| Cover, Expansion Port | 74–46957–01 | 2 | 23A |
| Cover, FCC Blanking Comms | 70–28359–02 | 1 | 30 |
| Cover, FCC Blanking Comms | 70–28359–02 | 2 | 31 |
| Cover, FCC Blanking Option (Not Shown) | 70–28539–01 | 1 | 29 |
| Cover, FCC Blanking Option (Not Shown) | 70–28539–01 | 2 | 30 |
| Cover (Weldment) | 70–26169–01 | 4 | 1 |
| Documentation, “BA42B Enclosure Maintenance Manual” | EK–472AB–MG | 1 | Not Shown |
| Documentation, “BA42B Enclosure Maintenance Manual” | EK–472AB–MG | 2 | Not Shown |
| Documentation, “KA52/KA53 CPU System Manual” | EK–473AB–MG | 1 | Not Shown |
| Documentation, “KA52/KA53 CPU System Manual” | EK–473AB–MG | 2 | Not Shown |

INDEX BY DIGITAL PART DESCRIPTION

VAX 4000 Models 100A/105A Systems

| DESCRIPTION | PART NO. | FIG. NO. | ITEM NO. |
|--|-------------|----------|-----------|
| Documentation, "System Options Manual" | EK-474AB-OP | 1 | Not Shown |
| Documentation, "System Options Manual" | EK-474AB-OP | 2 | Not Shown |
| ENCLOSURE, KA52 NVAX CPU BA42B KERNEL (SYSTEM BUILDING BLOCK) | 47DBM-B9 | 1 | N/A |
| ENCLOSURE, KA53 NVAX CPU BA42B KERNEL (SYSTEM BUILDING BLOCK) | 48DBM-B9 | 2 | N/A |
| EXPANSION ASSEMBLY, PORT | 70-22861-01 | 1 | 22 |
| EXPANSION ASSEMBLY, PORT | 70-22861-01 | 2 | 23 |
| Finger, Non-Snag Grounding | 12-26922-01 | 3 | 1 |
| Foot, Self Adhesive | 12-35649-01 | 3 | 7 |
| Gasket, CPU Grounding | 74-42429-01 | 3 | 4 |
| Grommet, Caterpillar | 12-25469-19 | 1 | 3 |
| Grommet, Caterpillar | 12-25469-19 | 2 | 3 |
| Harness Assembly, Wire, 05 Cond, 22AWG | 17-03615-01 | 1 | 9 |
| Harness Assembly, Wire, 05 Cond, 22AWG | 17-03615-01 | 2 | 10 |
| Insert, Bezel | 74-38027-01 | 2 | 33 |
| Insert, Bezel (PVS) | 74-38027-01 | 1 | 32 |
| Kit, Thickwire/ThinWire Ethernet (Not Shown) | 70-26209-01 | 1 | 24 |
| Kit, Thickwire/ThinWire Ethernet (Not Shown) | 70-26209-01 | 2 | 25 |
| Label, FTZ Postcard, Series BA42B (Not Shown) | 36-30422-10 | 1 | 14 |
| Label, FTZ Postcard, Series BA42B (Not Shown) | 36-30422-10 | 2 | 15 |
| Label, "Attention Pre-Installed Software" (Not Shown) | 36-28979-01 | 2 | 14 |
| Label, "Attention Pre-Installed Software" (Not Shown) | 36-28979-01 | 1 | 11 |
| Label, "CE Mark" (Not Shown) | 36-36842-01 | 1 | 18 |
| Label, "CE Mark" (Not Shown) | 36-36842-01 | 2 | 19 |
| Label, "Diagnostic VS42A" (Not Shown) | 36-30489-01 | 1 | 15 |
| Label, "Diagnostic VS42A" (Not Shown) | 36-30489-01 | 2 | 16 |
| Label, "OPA0 Console Port Arrow" (Not Shown) | 36-39380-01 | 1 | 19 |
| Label, "OPA0 Console Port Arrow" (Not Shown) | 36-39380-01 | 2 | 20 |
| Label, "PTT Regulatory" (Not Shown) | 36-36015-02 | 1 | 16 |
| Label, "PTT Regulatory" (Not Shown) | 36-36015-03 | 2 | 17 |
| Label, "Product ID, BA42-B" (Not Shown) | 36-36394-02 | 1 | 17 |
| Label, "Product ID, BA42-B" (Not Shown) | 36-36394-02 | 2 | 18 |
| Label, "Regulatory VS3X00" (Not Shown) | 36-30382-23 | 1 | 12 |
| Label, "Regulatory VS3X00" (Not Shown) | 36-30382-23 | 2 | 12 |
| Label, "Regulatory VS3X00" (Not Shown) | 36-30382-24 | 1 | 13 |
| Label, "Regulatory VS3X00" (Not Shown) | 36-30382-24 | 2 | 13 |
| Medallion, VAX 4000-100A | 74-37642-31 | 1 | 31 |
| Medallion, VAX 4000-105A | 74-37642-32 | 2 | 32 |
| MODULE, NVAX CPU, 128 KB Cache, SCSI | 54-21797-01 | 1 | 21 |
| MODULE, NVAX CPU, 512 KB Cache, SCSI | 54-21797-02 | 2 | 22 |
| Package Assembly (Not Shown) | 37-01106-09 | 1 | 20 |
| Package Assembly (Not Shown) | 37-01106-09 | 2 | 21 |
| Pin, Alignment | 12-30363-01 | 1 | 22F |
| Pin, Alignment | 12-30363-01 | 2 | 23F |
| Post Assembly, Locking | 12-18672-00 | 1 | 22E |
| Post Assembly, Locking | 12-18672-00 | 2 | 23E |

INDEX BY DIGITAL PART DESCRIPTION

VAX 4000 Models 100A/105A Systems

| DESCRIPTION | PART NO. | FIG. NO. | ITEM NO. |
|---|-------------|-------------|-------------|
| Power Cord 125V (Not Shown) | 17-00606-02 | 1 | 5 |
| Power Cord 125V (Not Shown) | 17-00606-02 | 2 | 6 |
| Power Supply Assembly, 166W, 120/240V | 30-35042-01 | 1 | 10 |
| Power Supply Assembly, 166W, 120/240V | 30-35042-01 | 2 | 11 |
| | | | |
| Rivet, Repetition Clinch | 90-00052-01 | 3 | 6 |
| | | | |
| Screw Assembly, Lock (Not Shown) | 90-08451-00 | 1 | 34 |
| Screw Assembly, Lock (Not Shown) | 90-08451-00 | 2 | 35 |
| Screw, Mach M2.5, Flat Hd, 8mm | 90-10917-01 | 1 | 22H |
| Screw, Mach M2.5, Flat Hd, 8mm | 90-10917-01 | 2 | 23H |
| Screw, Self-Tap Flat Hd No. 4-20 x 3/16 | 90-10411-01 | 4 | 2 |
| Screw, Sems Pan Hd No. 4-40 x 3/8 | 90-09643-00 | 1 | 35 |
| Screw, Sems Pan Hd No. 4-40 x 3/8 | 90-09643-00 | 2 | 36 |
| Screw, Sems Pan Hd No. 6-32 x 5/16 | 90-09984-07 | 1 | 36 |
| Screw, Sems Pan Hd No. 6-32 x 5/16 | 90-09984-07 | 2 | 37 |
| Sheet, CPU Insulation | 12-39980-01 | 3 | 2 |
| | | | |
| Shelf, Lower Drive Assembly | 70-27108-01 | 1 | 27 |
| Shelf, Lower Drive Assembly | 70-27108-01 | 2 | 28 |
| Shelf, Upper Drive Assembly | 70-27109-01 | 1 | 28 |
| Shelf, Upper Drive Assembly | 70-27109-01 | 2 | 29 |
| | | | |
| Washer, Flat | 90-08877-00 | 1 | 22G |
| Washer, Flat | 90-08877-00 | 2 | 23G |

INDEX BY DIGITAL PART DESCRIPTION

VAX 4000 Models 100A/105A Systems

| DESCRIPTION | PART NO. | FIG. NO. | ITEM NO. |
|-------------|-------------|-------------|-------------|
|-------------|-------------|-------------|-------------|

THIS PAGE INTENTIONALLY LEFT BLANK