

KA681/KA691/KA692/KA694 CPU

System Maintenance

Order Number: EK-498AB-MG. B01

August, 1994

Digital Equipment Corporation makes no representations that the use of its products in the manner described in this publication will not infringe on existing or future patent rights, nor do the descriptions contained in this publication imply the granting of licenses to make, use, or sell equipment or software in accordance with the description.

Possession, use, or copying of the software described in this publication is authorized only pursuant to a valid written license from Digital or an authorized sublicensor.

© Digital Equipment Corporation 1994. All Rights Reserved.

The postpaid Reader's Comments forms at the end of this document request your critical evaluation to assist in preparing future documentation.

The following are trademarks of Digital Equipment Corporation: CompacTape, CX, DDCMP, DEC, DECconnect, DECdirect, DECnet, DECscan, DECserver, DECUS, DECwindows, DELNI, DEMPR, DESQA, DESTA, DSRVB, DSSI, IVAX, KDA, KLESI, MicroVAX, MSCP, OpenVMS, Q-bus, Q22-bus, RA, RQDX, RRD40, SDI, ThinWire, TK, TMSCP, TQK50, TQK70, TSV05, TU, ULTRIX, UNIBUS, VAX, VAX 4000, VAX DOCUMENT, VAXcluster, VAXELN, VAXlab, VAXserver, VAXsimPLUS, VT, and the DIGITAL logo.

All other trademarks and registered trademarks are the property of their respective holders.

S2651

This document was prepared using VAX DOCUMENT Version 2.1.

Contents

Preface	xv
1 System Maintenance Strategy	
1.1 Service Delivery Methodology	1-1
1.2 Product Service Tools and Utilities	1-2
1.3 Information Services	1-5
1.4 Field Feedback	1-6
2 CPU System Overview	
2.1 CPU Module Features	2-2
2.2 MS690 Memory Modules	2-6
2.3 (Optional) DSSI Daughter Board	2-7
2.4 BA440 Enclosure Components	2-9
2.4.1 H3604 Console Module	2-9
2.4.2 System Control Panel (SCP)	2-16
2.4.3 BA440 Backplane	2-19
2.4.4 Power Supply	2-20
2.4.5 System Airflow	2-23
3 System Setup and Configuration	
3.1 CPU and Memory Module Order	3-1
3.1.1 Installing Add-On MS690 Memory Modules	3-2
3.2 General Module Order for Q-Bus Options	3-4
3.3 Recommended Module Order of Q-Bus Options	3-7
3.4 (Optional) DSSI Ports Assignment	3-8
3.5 Mass Storage Options (Internal)	3-8
3.6 System Expansion	3-10
3.6.1 Mass Storage Expanders	3-10
3.6.2 Q-Bus Expanders	3-11
3.6.3 Control Power Bus for Expanders	3-12

3.6.4	Adding Options to the System Enclosure	3-13
3.7	DSSI VAXclusters	3-17
3.7.1	DSSI VAXcluster Configuration Rules	3-19
3.8	Firmware Commands and Utilities Used in System Configuration	3-24
3.8.1	Examining System Configuration	3-24
3.8.2	Using the CONFIGURE Command to Determine CSR Addresses for Q-Bus Modules	3-26
3.8.3	Setting and Examining Parameters for DSSI Devices	3-28
3.8.3.1	DSSI Device Parameters	3-29
3.8.3.2	How the OpenVMS Operating System Uses the DSSI Device Parameters	3-30
3.8.3.3	Entering the DUP Driver Utility from Console Mode ...	3-36
3.8.3.4	Entering the DUP Driver Utility from the OpenVMS Operating System	3-38
3.8.3.5	Setting Allocation Class	3-39
3.8.3.6	Setting Unit Number	3-39
3.8.3.7	Setting Node Name	3-42
3.8.3.8	Setting System ID	3-42
3.8.3.9	Exiting the DUP Driver Utility	3-43
3.8.4	Write-Protecting an EF/RF ISE	3-46
3.8.4.1	Software Write-Protect for EF/RF-Series ISEs	3-46
3.8.4.2	Hardware Write-Protect for EF/RF ISEs	3-47
3.8.5	Setting System Parameters: Boot Defaults, Bootflags, Halt and Restart Action	3-51
3.8.5.1	Setting the Boot Default	3-51
3.8.5.2	Setting Boot Flags	3-53
3.8.5.3	Setting the Halt Action	3-54

4 System Initialization and Acceptance Testing (Normal Operation)

4.1	Basic Initialization Flow	4-1
4.2	Power-On Self-Tests (POST)	4-4
4.2.1	Power-Up Tests for Kernel	4-4
4.2.2	Power-Up Tests for Q-Bus Options	4-7
4.2.3	Power-Up Tests for Mass Storage Devices	4-8
4.3	CPU ROM-Based Diagnostics	4-8
4.3.1	Diagnostic Tests	4-9
4.3.2	Scripts	4-13
4.4	Basic Acceptance Test Procedure	4-15
4.5	Machine State on Power-Up	4-20
4.6	Main Memory Layout and State	4-20

4.6.1	Reserved Main Memory	4-21
4.6.1.1	PFN Bitmap	4-21
4.6.1.2	Scatter/Gather Map	4-22
4.6.1.3	Firmware "Scratch Memory"	4-22
4.6.2	Contents of Main Memory	4-22
4.6.3	Memory Controller Registers	4-23
4.6.4	On-Chip Cache	4-23
4.6.5	Translation Buffer	4-23
4.6.6	Halt-Protected Space	4-23
4.7	Operating System Bootstrap	4-23
4.7.1	Preparing for the Bootstrap	4-24
4.7.2	Primary Bootstrap Procedures (VMB)	4-26
4.7.3	Device Dependent Secondary Bootstrap Procedures	4-30
4.7.3.1	Disk and Tape Bootstrap Procedure	4-30
4.7.3.2	PROM Bootstrap Procedure	4-31
4.7.3.3	MOP Ethernet Functions and Network Bootstrap Procedure	4-32
4.7.3.4	Network "Listening"	4-33
4.8	Operating System Restart	4-39
4.8.1	Locating the RPB	4-40

5 System Troubleshooting and Diagnostics

5.1	Basic Troubleshooting Flow	5-1
5.2	Product Fault Management and Symptom-Directed Diagnosis ...	5-4
5.2.1	General Exception and Interrupt Handling	5-4
5.2.2	OpenVMS Operating System Error Handling	5-5
5.2.3	OpenVMS Error Logging and Event Log Entry Format	5-7
5.2.4	OpenVMS Operating System Event Record Translation	5-15
5.2.5	Interpreting CPU Faults Using ANALYZE/ERROR	5-16
5.2.6	Interpreting Memory Faults Using ANALYZE/ERROR	5-19
5.2.6.1	Uncorrectable ECC Errors	5-19
5.2.6.2	Correctable ECC Errors	5-23
5.2.7	Interpreting System Bus Faults Using ANALYZE/ERROR ...	5-28
5.2.8	Interpreting DMA ⇔ Host Transaction Faults Using ANALYZE/ERROR	5-30
5.2.9	VAXsimPLUS and System-Initiated Call Logging (SICL) Support	5-32
5.2.9.1	Converting the SICL Service Request MEL File	5-39
5.2.9.2	VAXsimPLUS Installation Tips	5-40
5.2.9.3	VAXsimPLUS Postinstallation Tips	5-41
5.2.10	Repair Data for Returning FRUs	5-43

5.3	Interpreting Power-On Self-Test and ROM-Based Diagnostic Failures	5-43
5.3.1	FE Utility	5-58
5.3.2	Overriding Halt Protection	5-59
5.3.3	Isolating Memory Failures	5-60
5.4	Testing DSSI Storage Devices	5-62
5.5	Using MOP Ethernet Functions to Isolate Failures	5-65
5.6	Interpreting User Environmental Test Package (UETP) OpenVMS Failures	5-68
5.6.1	Interpreting UETP Output	5-69
5.6.1.1	UETP Log Files	5-69
5.6.1.2	Possible UETP Errors	5-70
5.7	Using Loopback Tests to Isolate Failures	5-71
5.7.1	Testing the Console Port	5-72
5.7.2	Embedded DSSI Loopback Testing	5-73
5.7.3	Embedded Ethernet Loopback Testing	5-75
5.7.4	Q-Bus Option Loopback Testing	5-76

6 FEPROM Firmware Update

6.1	Preparing the Processor for a FEPROM Update	6-2
6.2	Updating Firmware via Ethernet	6-3
6.3	Updating Firmware via Tape	6-6
6.4	FEPROM Update Error Messages	6-7

A KA681/KA691/KA692/KA694 Firmware Commands

A.1	Console I/O Mode Control Characters	A-1
A.1.1	Command Syntax	A-2
A.1.2	Address Specifiers	A-3
A.1.3	Symbolic Addresses	A-3
A.1.4	Console Numeric Expression Radix Specifiers	A-8
A.1.5	Console Command Qualifiers	A-9
A.1.6	Console Command Keywords	A-10
A.2	Console Commands	A-13
A.2.1	BOOT	A-13
A.2.2	CONFIGURE	A-15
A.2.3	CONTINUE	A-17
A.2.4	DEPOSIT	A-17
A.2.5	EXAMINE	A-18
A.2.6	FIND	A-19
A.2.7	HALT	A-20
A.2.8	HELP	A-21

A.2.9	INITIALIZE	A-22
A.2.10	MOVE	A-23
A.2.11	NEXT	A-24
A.2.12	REPEAT	A-26
A.2.13	SEARCH	A-27
A.2.14	SET	A-29
A.2.15	SHOW	A-34
A.2.16	START	A-38
A.2.17	TEST	A-38
A.2.18	UNJAM	A-39
A.2.19	X—Binary Load and Unload	A-39
A.2.20	! (Comment).....	A-41

B Address Assignments

B.1	KA681/KA691/KA692/KA694 General Local Address Space Map	B-1
B.2	KA681/KA691/KA692/KA694 Detailed Local Address Space Map	B-2
B.3	External Internal Processor Registers	B-8
B.4	Global Q22-bus Address Space Map	B-8
B.5	Processor Registers	B-9
B.6	IPR Address Space Decoding	B-16

C ROM Partitioning

C.1	Firmware EPROM Layout	C-1
C.1.1	System Identification Registers	C-3
C.1.1.1	PR\$_SID (IPR 62)	C-3
C.1.1.2	SIE (20040004)	C-3
C.1.2	Call-Back Entry Points	C-5
C.1.2.1	CP\$GETCHAR_R4	C-5
C.1.2.2	CP\$MESSG_OUT_NOLF_R4	C-6
C.1.2.3	CP\$READ_WTH_PRMPPT_R4	C-7
C.1.3	Boot Information Pointers	C-7

D Data Structures and Memory Layout

D.1	Halt Dispatch State Machine	D-1
D.2	Restart Parameter Block (RPB)	D-6
D.3	VMB Argument List	D-10

E Configurable Machine State

F NVRAM Partitioning

F.1	SSC RAM Layout	F-1
F.1.1	Public Data Structures	F-1
F.1.2	Console Program MailBox (CPMBX)	F-2
F.1.3	Firmware Stack	F-3
F.1.4	Diagnostic State	F-3
F.1.5	USER Area	F-4

G MOP Counters

H Programming the KFQSA Adapter

I Error Messages

I.1	Machine Check Register Dump	I-1
I.2	Halt Code Messages	I-1
I.3	VMB Error Messages	I-3
I.4	Console Error Messages	I-4

J Related Documents

Glossary

Index

Examples

3-1	SHOW DSSI Display (Embedded DSSI)	3-35
3-2	SHOW UQSSP Display (KFQSA-Based DSSI)	3-36
3-3	Accessing the DUP Driver Utility from Console Mode (Embedded DSSI)	3-37
3-4	Accessing the DUP Driver Utility from Console Mode (KFQSA-Based DSSI)	3-37
3-5	Accessing the DUP Driver Utility from the OpenVMS Operating System	3-38
3-6	Setting Allocation Class for a Specified Device	3-39
3-7	Setting a Unit Number for a Specified Device	3-40
3-8	Changing a Node Name for a Specified Device	3-42
3-9	Changing a System ID for a Specified Device	3-43
3-10	Exiting the DUP Driver Utility for a Specified Device	3-44
3-11	SHOW DSSI Display	3-45
3-12	SHOW UQSSP Display (KFQSA-Based DSSI)	3-46
3-13	Setting Hardware Write-Protection Through Firmware	3-49
3-14	Setting Hardware Write-Protection Through the OpenVMS Operating System	3-50
4-1	Language Selection Menu	4-3
4-2	Normal Diagnostic Countdown	4-4
4-3	Successful Power-Up to List of Bootable Devices	4-7
4-4	Test 9E	4-10
5-1	Error Log Entry Indicating CPU Error	5-17
5-2	SHOW ERROR Display Using the OpenVMS Operating System	5-18
5-3	Error Log Entry Indicating Uncorrectable ECC Error	5-21
5-4	SHOW MEMORY Display Under the OpenVMS Operating System	5-22
5-5	Using ANALYZE/SYSTEM to Check the Physical Address in Memory for a Replaced Page	5-23
5-6	Error Log Entry Indicating Correctable ECC Error	5-26
5-7	Error Log Entry Indicating Q-Bus Error	5-29
5-8	Error Log Entry Indicating Polled Error	5-30
5-9	Device Attention Entry	5-32
5-10	SICL Service Request with Appended MEL File	5-40
5-11	Sample Output with Errors	5-44

5-12	FE Utility Example	5-59
5-13	Running DRVTST	5-64
5-14	Running DRVEXR	5-65
6-1	FEPROM Update via Ethernet	6-5
6-2	FEPROM Update via Tape	6-7

Figures

2-1	KA681/KA691/KA692/KA694 CPU Module Component Side	2-3
2-2	KA681/KA691/KA692/KA694 Kernel System Functional Diagram	2-5
2-3	KA681/KA691/KA692/KA694 CPU Module Block Diagram	2-6
2-4	Ratchet Handles for CPU and Memory Modules	2-7
2-5	(Optional) DSSI Module Component Side	2-8
2-6	H3604 Console Module (Front)	2-10
2-7	H3604 Console Module (Back)	2-13
2-8	System Control Panel	2-16
2-9	BA440 Backplane	2-19
2-10	H7874 Power Supply	2-20
2-11	Fans	2-23
2-12	Fan Speed Control (FSC) Jumper Location	2-24
3-1	Memory Module Ratchet Handles	3-4
3-2	Storage Configuration Example	3-9
3-3	Sample Power Bus Configuration	3-12
3-4	VAX 4000 Model 500A/505A/600A/700A/705A Configuration Worksheet	3-14
3-5	DSSI Cabling for a Generic Two-System DSSI VAXcluster Configuration	3-18
3-6	Two-System DSSI VAXcluster	3-22
3-7	Expanded Two-System DSSI VAXcluster	3-23
3-8	OpenVMS Operating System Requires Unique Unit Numbers for DSSI Devices	3-32
3-9	Sample DSSI Buses for an Expanded VAX 4000 Model 500A System	3-34
3-10	Attaching a MSCP Unit Number Label to the Device Front Panel	3-41

4-1	Console Banner	4-5
4-2	Memory Layout After Power-Up Diagnostics	4-21
4-3	Memory Layout Prior to VMB Entry	4-26
4-4	Memory Layout at VMB Exit	4-29
4-5	Boot Block Format	4-31
4-6	Locating the Restart Parameter Block	4-40
5-1	Event Log Entry Format	5-9
5-2	Machine Check Stack Frame Subpacket	5-10
5-3	Processor Register Subpacket	5-11
5-4	Memory Subpacket for ECC Memory Errors	5-12
5-5	Memory SBE Reduction Subpacket (Correctable Memory Errors)	5-12
5-6	CRD Entry Subpacket Header	5-13
5-7	Correctable Read Data (CRD) Entry	5-14
5-8	Trigger Flow for the VAXsimPLUS Monitor	5-35
5-9	Five-Level VAXsimPLUS Monitor Display	5-37
5-10	H3604 Console Module Fuses	5-72
6-1	Firmware Update Utility Layout	6-2
6-2	W4 Jumper Setting for Updating Firmware	6-3
C-1	KA681/KA691/KA692/KA694 FEPROM Layout	C-2
C-2	SID: System Identification Register	C-3
C-3	SIE : System Identification Extension (20040004)	C-4
C-4	Boot Information Pointers	C-8
F-1	KA681/KA691/KA692/KA694 SSC NVRAM Layout	F-1
F-2	NVR0 (20140400): Console Program MailBoX (CPMBX)	F-2
F-3	NVR1 (20140401)	F-3
F-4	NVR2 (20140402)	F-3

Tables

2-1	KA681/KA691/KA692/KA694 CPU Module Components	2-4
2-2	(Optional) DSSI Bus Daughter Board Components	2-9
2-3	H3604 Console Module Controls and Indicators	2-11
2-4	H3604 Console Module (Back)	2-14
2-5	System Control Panel Controls and Indicators	2-17
2-6	H7874 Power Supply Switches, Controls, and Indicators	2-21
3-1	BA440 Module Order	3-1

3-2	Power Requirements	3-15
3-3	Boot Devices Supported by the KA681/KA691/KA692/KA694	3-52
3-4	Virtual Memory Bootstrap (VMB) Boot Flags	3-53
3-5	Actions Taken on a Halt	3-55
4-1	Language Inquiry on Power-Up or Reset	4-2
4-2	LED Codes	4-6
4-3	Scripts Available to Customer Services	4-14
4-4	Signature Field Values	4-17
4-5	Network Maintenance Operations Summary	4-35
4-6	Supported MOP Messages	4-36
4-7	MOP Multicast Addresses and Protocol Specifiers	4-39
5-1	Console Terminal/Console Module Problems	5-3
5-2	Power Supply Status Indicators	5-3
5-3	OpenVMS Operating System Error Handler Entry Types ...	5-7
5-4	Conditions That Trigger VAXsimPLUS Notification and Updating	5-34
5-5	Levels of VAXsimPLUS Monitor Screen Displays	5-38
5-6	Machine Check Exception During Executive	5-45
5-7	Exception During Executive with No Parameters	5-46
5-8	Other Exceptions with Parameters, No Machine Check	5-46
5-9	KA681/KA691/KA692/KA694 Console Displays As Pointers to FRUs	5-48
5-10	H3604 Console Module Fuses	5-71
5-11	Loopback Connectors for Common Devices	5-76
A-1	Console Symbolic Addresses	A-3
A-2	Symbolic Addresses Used in Any Address Space	A-8
A-3	Console Radix Specifiers	A-8
A-4	Console Command Qualifiers	A-9
A-5	Command Keywords by Type	A-11
A-6	Console Command Summary	A-11
B-1	Processor Registers	B-9
B-2	IPR Address Space Decoding	B-16
C-1	System Identification Register	C-3
C-2	System Identification Extension	C-4
C-3	Call-Back Entry Points	C-5
D-1	Firmware State Transition Table	D-2

D-2	Restart Parameter Block Fields	D-6
D-3	VMB Argument List	D-10
F-1	NVR0 (20140400): Console Program MailBoX (CPMBX)	F-2
F-2	NVR1 (20140401)	F-3
F-3	NVR2 (20140402)	F-3
G-1	MOP Counter Block	G-1
H-1	Preferred KFQSA Switch Settings	H-1
I-1	HALT Messages	I-2
I-2	VMB Error Messages	I-3
I-3	Console Error Messages	I-4

Preface

This guide describes the procedures and tests used to maintain and troubleshoot VAX 4000 Model 500A, 505A, 600A, 700A, and 705A systems, which use the following kernels:

System	Kernel
VAX 4000 Model 500A	KA681
VAX 4000 Model 505A/600A	KA691
VAX 4000 Model 700A	KA692
VAX 4000 Model 705A	KA694

Intended Audience

This guide is intended for use by Digital Equipment Corporation Service personnel and qualified self-maintenance customers.

Warnings, Cautions, Notes

Warnings, cautions, and notes appear throughout this guide. They have the following meanings:

- WARNING** Provides information to prevent personal injury.
- CAUTION** Provides information to prevent damage to equipment or software.
- NOTE** Provides general information about the current topic.

Conventions

The following convention indicates that the user enters the command at the system prompt.

```
>>>SHOW DSSI
```

System Maintenance Strategy

Any successful maintenance strategy is predicated on the proper understanding and use of information services, service tools, service support and escalation procedures, and field feedback. This chapter lists the various service tools, information services, and service delivery methods used in system maintenance.

1.1 Service Delivery Methodology

Before beginning any maintenance operation, you should be familiar with the following:

- The site agreement
- Your local and area geography support and escalation procedures
- Your Digital Services product delivery plan

Service delivery methods are part of the service support and escalation procedure. When appropriate, remote services should be part of the initial system installation. Methods of service delivery include the following:

- Local support
- Remote call screening
- Remote diagnosis and system initiated service requests (using DSNLink, SICL, MDS01, modem, etc.)

The recommended system installation includes:

- Hardware installation and acceptance testing. Acceptance testing (Chapter 4) includes running ROM-based diagnostics and running MDM to test Q-bus options.
- Software installation and acceptance testing. For example, using OpenVMS Factory Installed Software (FIS), and then acceptance testing with UETP.

System Maintenance Strategy

1.1 Service Delivery Methodology

- Installation of the Symptom-Directed Diagnosis (SDD) toolkit (VAXsimPLUS and SPEAR) and remote services tools and equipment (this includes installing DSNlink, modems, etc., and enabling SICL). When the installation is complete, the system should be able to dial out using SICL, and the Digital Service Center should be able to call into the system. Refer to your remote service delivery strategy.

If your service delivery methodology is not followed, service expenses for any product could be excessive.

1.2 Product Service Tools and Utilities

This section lists the array of service tools and utilities available for acceptance testing, diagnosis, and overall serviceability; and it provides recommendations as for their use.

- OpenVMS Operating System Error Handling/Logging

The OpenVMS operating system provides recovery from errors, fault handling, and event logging. The Error Report Formatter (ERF) provides bit-to-text translation of the event logs for interpretation.

RECOMMENDED USE: Analysis of error logs is the primary method of diagnosis and fault isolation. If the system is up, or the customer allows the service engineer to bring the system up, this information should be looked at first. Refer to Section 5.2 for information on Product Fault Management and Symptom-Directed Diagnosis.

- Symptom-Directed Diagnostic (SDD) Tools (VAXsimPLUS)

SDD tools are used primarily for notification of the existence of errors that have reached a critical threshold. SDD tools must be installed during system installation or as soon as product support is provided. SDD tools are not bundled with the OpenVMS operating system.

RECOMMENDED USE: Used primarily for onsite notification to the user via mail or to a remote Digital support center via System Initiated Call Logging (SICL). Refer to Section 5.2.9 for information on VAXsimPLUS and SICL.

System Maintenance Strategy

1.2 Product Service Tools and Utilities

- ROM-Based Diagnostics

ROM-based diagnostics have significant advantages:

- Load time is virtually nonexistent.
- The boot path is more reliable.
- Diagnosis is done in a more primitive state.

RECOMMENDED USE: The CPU ROM-based diagnostic facility is the primary means of offline testing and diagnosis of the CPU, memory, Ethernet, and DSSI subsystems. The ROM-based diagnostics are used in the acceptance test procedures (Section 4.4) when installing a system, adding a memory module, or replacing the following: CPU module, memory module(s), backplane, DSSI device, or H3604 console module. Use the ROM-based diagnostic error messages in Table 5–9 to isolate FRUs.

- Firmware Console Commands

Several commands and utilities are needed in configuring a system and setting and examining system and device parameters. For example, the CONFIGURE command is used to determine the proper CSR addresses for modules; the SHOW MEMORY, SHOW DSSI, and SHOW QBUS commands are used to examine the configuration and memory error status; and the SET HOST command is used to access the DUP driver to configure DSSI parameters.

RECOMMENDED USE: Use console commands to configure the system and in setting and examining device parameters. Refer to Section 3.8 for information on firmware commands and utilities. Appendix A provides information on all available console commands.

- Option LEDs During Power-Up

Many options and modules have LEDs that display pass/fail self-test results.

RECOMMENDED USE: Monitor option and module LEDs during power-up to see if they pass their self-tests. Refer to Sections 4.2.2 and 4.2.3 for information on power-up tests for Q-bus and mass storage devices. For more information on individual options, refer to your *Microsystems Options* manual.

System Maintenance Strategy

1.2 Product Service Tools and Utilities

- Operating System Exercisers (OpenVMS UETP)

The User Environment Test Package (UETP) is an OpenVMS software package designed to test whether the OpenVMS operating system is installed correctly.

RECOMMENDED USE: Use UETP as part of acceptance testing to ensure that the OpenVMS operating system is correctly installed. UETP is also used to stress test the user's environment and configuration by simulating system operation under heavy loads.

- MicroVAX Diagnostic Monitor (MDM)

The loadable diagnostic MDM requires a minimum of Release 139 to support VAX 4000 Model 500A/505A/600A/700A/705A systems. Consult your *MicroVAX Diagnostic Monitor User's Guide* for instructions on running MDM.

RECOMMENDED USE: MDM is used primarily for testing Q-bus options.

- Loopback Tests

Internal and external loopback tests can be used to isolate a failure by testing segments of a particular control or data path. The loopback tests are a subset of the ROM-based diagnostics and MDM diagnostics.

RECOMMENDED USE: Loopback tests can be used to isolate problems with the console port, DSSI adapters, Ethernet controller, and many common Q-bus options. Refer to Section 5.7 for instructions on performing loopback tests.

- Crash Dumps

For fatal errors, the OpenVMS operating system will save the contents of memory to a crash dump file, e.g., fatal bugchecks.

RECOMMENDED USE: Crash dump file analysis should be performed by support. Saving a crash dump file for analysis requires proper system settings. Refer to your OpenVMS operating system documentation for instructions.

System Maintenance Strategy

1.3 Information Services

1.3 Information Services

Digital Services engineers may access several information resources, including advanced database applications, online training courses, and remote diagnosis tools. A brief description of some of these resources follows:

- **Technical Information Management Architecture (TIMA)**

TIMA is used by Digital Services to deliver technical and reference information to its service engineers. One of the main benefits of TIMA is the pooling of worldwide knowledge and expertise. Both service and customer documentation for VAX 4000 systems are available on TIMA.
- **Entry Systems Service Information Kits**

Service documentation containing information on enclosures, CPUs, and options, makes up the Entry Systems Service Information Kit. The manual you are reading is part of the kit. Refer to your *Guide to Entry Systems Service Information Kits* (EK-276A*-MI) for more information.
- **Training**

Computer Based Instruction (CBI) and lecture lab courses are available from the Digital training center:

 - VAX 4000 Model 500 System Installation and Troubleshooting (CBI course, EY-I089E-EO (applicable for VAX 4000 Model 500A/505A /600A /700A/705A systems)).
 - MicroVAX Installation and Troubleshooting (Lecture lab course, EY-9408E-LO)
- **Digital Services Product Delivery Plan (Hardware or Software)**

The Product Delivery Plan documents Digital Services delivery commitments. The plan is the communications vehicle used among the various groups responsible for ensuring consistency between Digital Services delivery strategies and engineering product strategies.
- **Blitzes**

Technical updates are “blitzed” to the field using mail and TIMA.

System Maintenance Strategy

1.3 Information Services

- Storage and Retrieval System (STARS)

Stars is a worldwide database for storing and retrieving technical information. The STARS databases, which contain more than 150,000 entries, are updated daily.

Using STARS, a service specialist can quickly retrieve the most up-to-date technical information via DSNlink or DSIN.
- VAX Notes

The company notes network has many conferences on the VAX. Review the list of conferences in TURRIS::EASYNET_CONFERENCEES.
- DSNlink

DSNlink software application lets the Digital Services Center communicate electronically with the customer site. DSNlink serves as the platform for the delivery of electronic services.

1.4 Field Feedback

Providing the proper feedback to the corporation is essential in closing the loop on any service call. Consider the following when completing a service call:

- Repair tags should be filled out accurately and with as much symptom information as possible so that repair centers can fix a problem.
- Call closeout information for Labor Activity Reporting System (LARS) or Call-Handling and Management Planning (CHAMP) needs to be accurate.
- The site maintenance log, whether hardcopy or electronic, should provide a chronicle of the performed maintenance.

2

CPU System Overview

This chapter provides an overview of the components that make up KA681/KA691/KA692/KA694-based systems. These components are listed below:

- CPU: KA681 (L4005–BA), KA691 (L4005–AA), KA692 (L4006–AA), or KA694 (L4006–BA)
- MS690 memory modules
- BA440 enclosure components
 - H3604 console module
 - System control panel (SCP)
 - BA440 backplanes
 - Power supply
 - Fans

Caution

Static electricity can damage integrated circuits. Always use a grounded wrist strap (PN 29–11762–00) and grounded work surface when working with the internal parts of a computer system.

CPU System Overview

2.1 CPU Module Features

2.1 CPU Module Features

The KA681/KA691/KA692/KA694 CPUs are quad-height VAX processor modules that use the Q22-bus and DSSI bus. The CPUs are used in the following systems:

System	CPU
VAX 4000 Model 500A	KA681
VAX 4000 Model 505A/600A	KA691
VAX 4000 Model 700A	KA692
VAX 4000 Model 705A	KA694

The CPU module is designed for use in high-speed, real-time applications and for multiuser, multitasking environments. The KA681/KA691/KA692/KA694 employ multiple levels of cache memory to maximize performance. See Figure 2-1 for a view of the major chips, LEDs, and connectors. Table 2-1 describes the CPU module components. See Figure 2-2 and Figure 2-3 for block diagrams of the major functions.

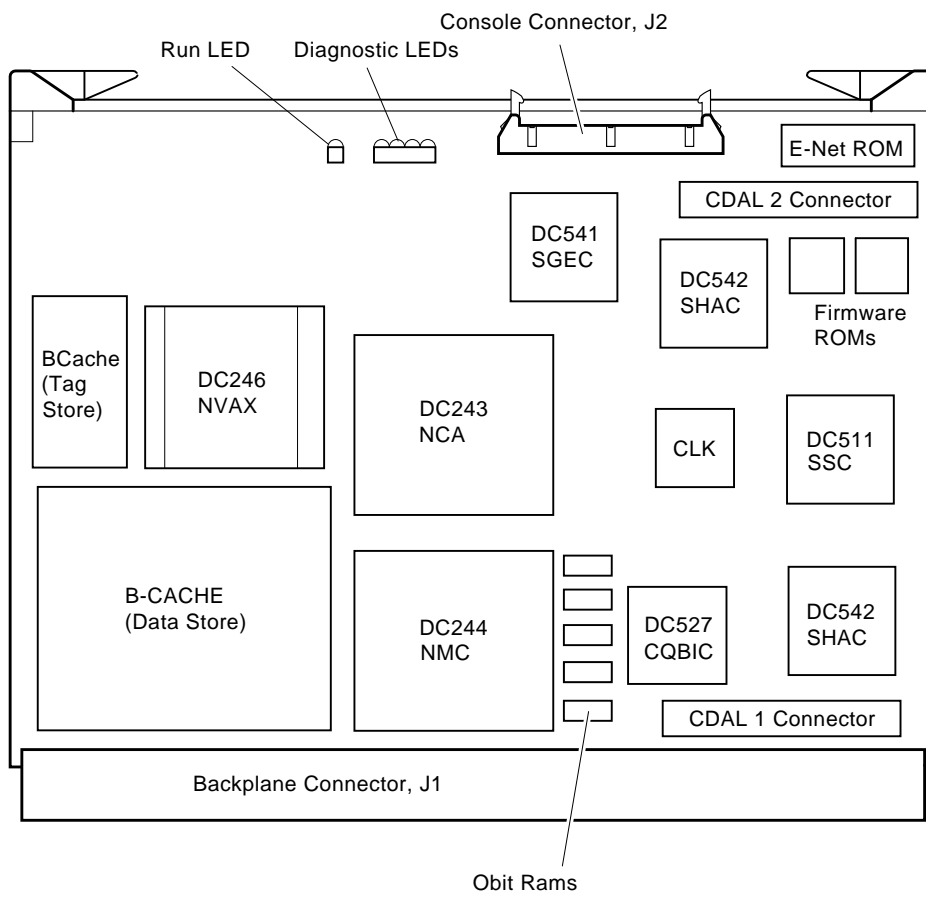
The CPU module and MS690 memory modules combine to form the CPU /memory subsystem that uses DSSI buses to communicate with mass storage devices, the Q22-bus to communicate with I/O devices, and the Ethernet to communicate across the network.

The CPU module and optional DSSI daughter board combine to expand the DSSI buses' capability to four ports. See Figure 2-5 for a view of the major chips and connectors.

The CPU module is configured as an arbiter CPU on the Q22-bus, where it arbitrates bus mastership and fields any on-board interrupt requests.

CPU System Overview 2.1 CPU Module Features

Figure 2–1 KA681/KA691/KA692/KA694 CPU Module Component Side



MLO-010827

CPU System Overview

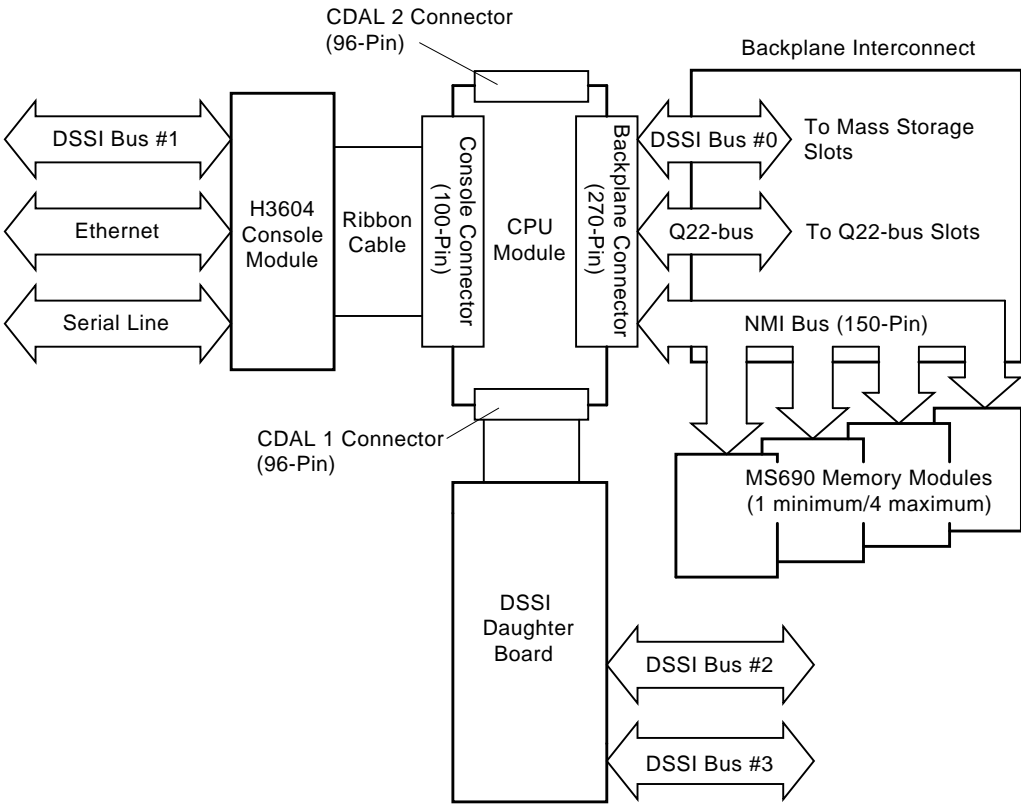
2.1 CPU Module Features

Table 2–1 KA681/KA691/KA692/KA694 CPU Module Components

Components	Function
DC246 (NVAX)	Central processor unit. Contains a 64-entry translation buffer integral floating-point unit, 2-KB virtual instruction stream cache (VIC), 8-KB physical instruction and data stream primary cache (P-cache), and backup cache control and error correction code (ECC). KA681: Central processor unit has 14-ns cycle time. KA691: Central processor unit has 12-ns cycle time. KA692: Central processor unit has 10-ns cycle time. KA694: Central processor unit has 9-ns cycle time.)
Backup cache RAMs	KA681: 128-KB backup cache (B-cache). KA691: 512-KB backup cache (B-cache). KA692: 2-MB backup cache (B-cache). KA694: 2-MB backup cache (B-cache).)
DC243 (NCA)	NDAL to CDAL I/O bus interface chip.
DC244 (NMC)	Main memory controller (also provides ECC protection).
DC527 (CQBIC)	Q22–bus interface.
DC541 (SGEC)	Ethernet interface.
Ethernet Station Address ROM	Provides unique hardware address.
DC542 (SHAC)	DSSI interface chips (2).
DC511 (SSC)	System support chip.
DC509 (CLK)	Clock.
Firmware ROMs	Two resident firmware chips, each 256 K by 8 bits of FLASH programmable EPROMS for a total of 512 KB.
Obit RAMs	The ECC protected ownership-bit RAMs provide coherency between backup cache and memory.
Console connector	100-pin for connection to the H3604 console module (J2).
Backplane connector	270-pin for connection to backplane for Q22–bus, DSSI bus, and memory interconnect (J1).
Run LED	Indicates that the CPU module is receiving power.
Diagnostic LEDs	A hexadecimal value displays on the four diagnostic LEDs. The values correspond to the decimal value displayed on the H3604 console module LED.

CPU System Overview 2.1 CPU Module Features

Figure 2-2 KA681/KA691/KA692/KA694 Kernel System Functional Diagram

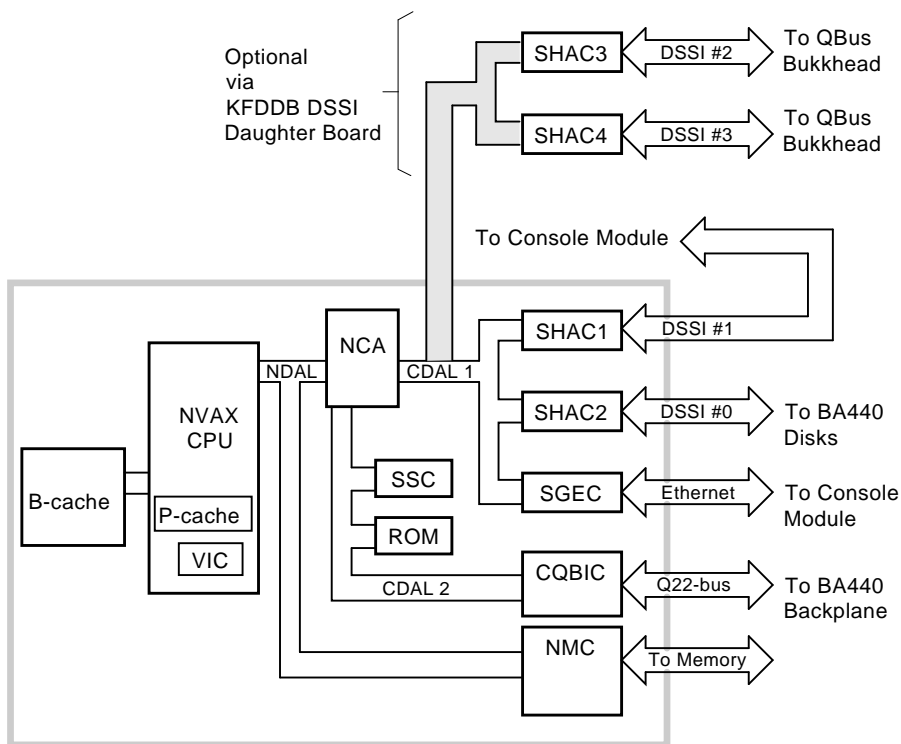


MLO-010206

CPU System Overview

2.1 CPU Module Features

Figure 2-3 KA681/KA691/KA692/KA694 CPU Module Block Diagram



MLO-007262

2.2 MS690 Memory Modules

The MS690 memory module is a double-sided, quad-height memory board that uses a 150-pin, high-density connector to communicate to the CPU module. MS690 memory modules are ECC protected via the NMC chip on the CPU module.

The MS690 memories are available in four variations:

- MS690-BA (L4004-BA) 32 MB memory (not used on KA692 or KA694)
- MS690-CA (L4004-CA) 64 MB memory
- MS690-DA (L4004-DA) 128 MB memory

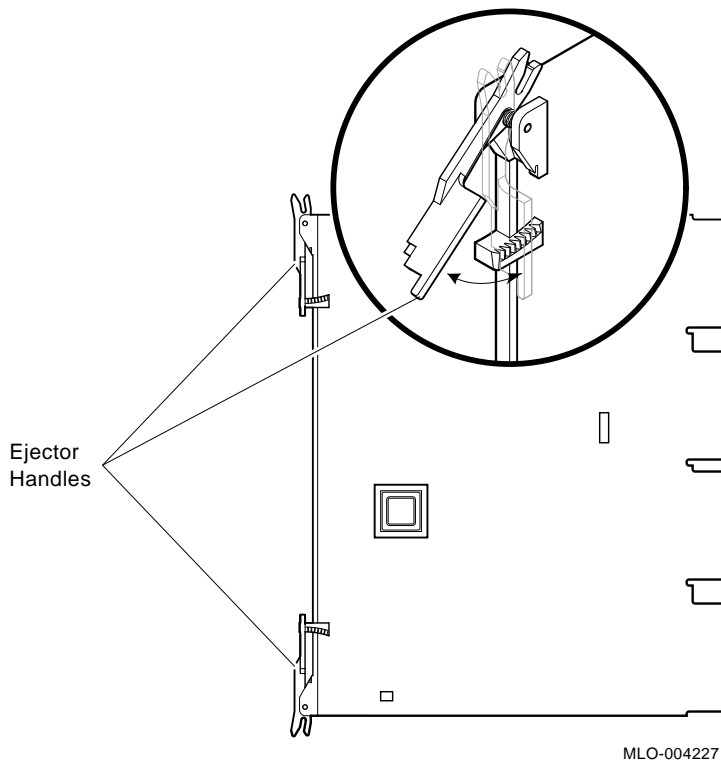
CPU System Overview

2.2 MS690 Memory Modules

KA681/KA691/KA692/KA694-based systems allow for any combination of up to four MS690 memory arrays providing a memory capacity from 32 Mbytes up to 512 Mbytes, with the exception that the MS690-BA may not be used with the KA692 or KA694.

Figure 2-4 shows a sample memory module, which, like the CPU module, uses ejector handles designed to ensure proper seating of the modules in the backplane connectors.

Figure 2-4 Ratchet Handles for CPU and Memory Modules



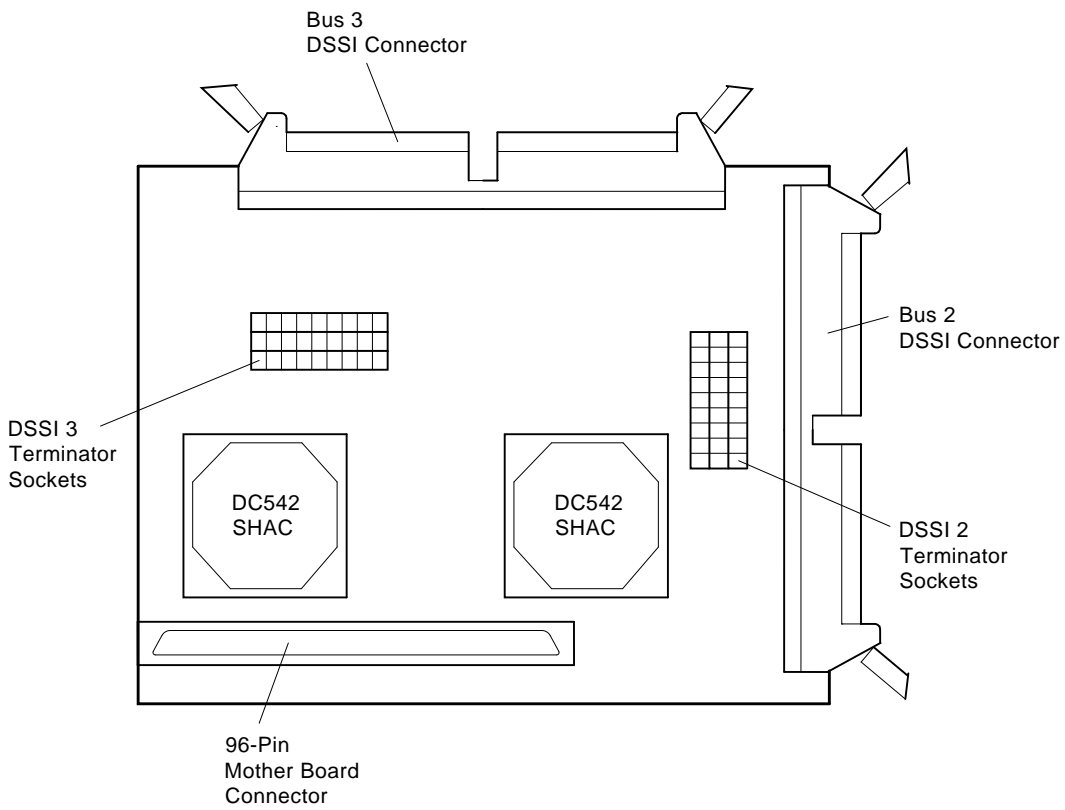
2.3 (Optional) DSSI Daughter Board

KA681/KA691/KA692/KA694-based systems have a connector for an optional DSSI bus daughter board. The optional DSSI daughter board contains two SHAC chips which increase the CPU's total DSSI bus capability to four ports. See Figure 2-5 for a view of the major chips and connectors. Table 2-2 describes the DSSI bus daughter board components and their functions.

CPU System Overview

2.3 (Optional) DSSI Daughter Board

Figure 2-5 (Optional) DSSI Module Component Side



MLO-010209

CPU System Overview

2.3 (Optional) DSSI Daughter Board

Table 2–2 (Optional) DSSI Bus Daughter Board Components

Components	Function
DC542 (SHAC)	DSSI interface chips (2).
Bus 2 DSSI connector	Connect DSSI bus 2 here.
Bus 3 DSSI connector	Connect DSSI bus 3 here.
DSSI Bus 2 terminator sockets	Reserved for future use.
DSSI Bus 3 terminator sockets	Reserved for future use.
96-pin mother board connector	Connects to mother board.

2.4 BA440 Enclosure Components

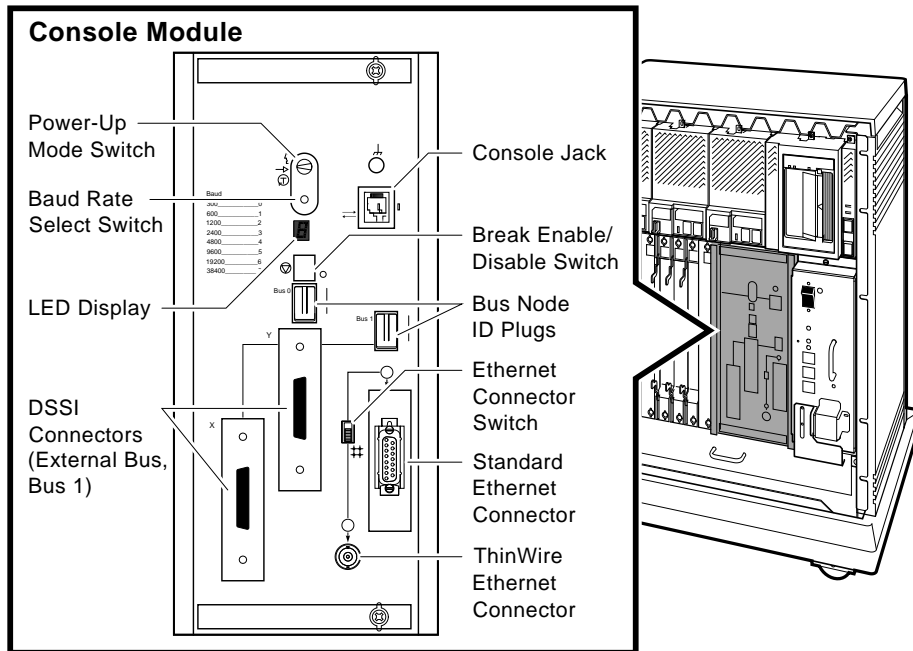
KA681/KA691/KA692/KA694-based systems use the BA440 enclosure. A brief description of the components that make up the BA440 enclosure follows. For information on FRU removal and replacement procedures refer to the *BA430/BA440 Enclosure Maintenance* manual.

2.4.1 H3604 Console Module

The H3604 console module covers the five slots dedicated to the CPU and memory modules (one slot for the KA681/KA691/KA692/KA694, and four available slots for MS690 memory modules). Switches on the console module allow you to configure the kernel. The console module also provides the connectors for a serial line console device, an external DSSI bus, and the Ethernet. See Figures 2–6 and 2–7.

CPU System Overview
2.4 BA440 Enclosure Components

Figure 2-6 H3604 Console Module (Front)



MLO-006350

CPU System Overview 2.4 BA440 Enclosure Components

The front of the console module has the components listed in Table 2–3.

Table 2–3 H3604 Console Module Controls and Indicators

Control/Indicator	Function
Power-Up Mode Switch	<p>This three-position rotary switch determines how the system responds at power-up.</p> <p>Language Inquiry Mode (in the top position, indicated by a profile of a face) causes the system to display a language selection menu at power-up if the console terminal has multinational character set (MCS) support. Also, if a default boot device has not been selected, this mode causes the system to issue a list of bootable devices and prompts you to select a device from the list. Once a device is selected, the system autoboots from that device each time you turn it on.</p> <p>Run Mode (in the middle position, indicated by an arrow) is the normal operating setting.</p> <p>Loopback Test Mode (in the bottom position, indicated by a T in a circle) causes the system to run loopback tests on the console serial line at power-up.</p>
Baud Rate Select switch	<p>The Baud Rate Select switch is used to set the system's baud rate to match that of the console terminal. The factory setting is position 5 (9600).</p>
Console serial MMJ connector	<p>This console terminal connector provides the RS–423 interface for the console terminal.</p>
LED Display	<p>The LED displays the testing sequence during power-up.</p>

(continued on next page)

CPU System Overview

2.4 BA440 Enclosure Components

Table 2–3 (Cont.) H3604 Console Module Controls and Indicators

Control/Indicator	Function
Break Enable/Disable switch	<p>When the switch is down (position 0), breaks are disabled. When the switch is up (position 1), breaks are enabled. When breaks are enabled, pressing [Break] on the console terminal halts the processor and transfers control to the console program. Using the console command SET CONTROLP, you can specify the control character, [Ctrl/P], rather than [Break] to initiate a break signal.</p> <p>The Break Enable/Disable switch also controls what happens at power-up. When breaks are disabled (down, position 0), the system attempts to automatically boot software at power-up. When breaks are enabled (up, position 1), the system enters console mode (indicated by the >>>prompt) at power-up.</p> <p>Using the console command, SET HALT REBOOT or SET HALT RESTART_REBOOT, you can set your system to automatically boot software after the system is halted due to pressing [Break].</p>
Two DSSI bus node ID plugs	<p>KA681/KA691/KA692/KA694-based systems have two separate Digital Storage Systems Interconnect (DSSI) buses. Two DSSI bus node ID plugs, one for the internal DSSI bus, Bus 0, and one for the external bus, Bus 1, identify the bus nodes of the DSSI adapters, which are part of the CPU.</p>
Two DSSI connectors for Bus 1	<p>Two in/out DSSI connectors, labeled X and Y, on the console module allow you to expand the system by connecting additional mass storage devices to the second DSSI bus. You can also share mass storage devices with another system by forming a DSSI VAXcluster configuration.</p>

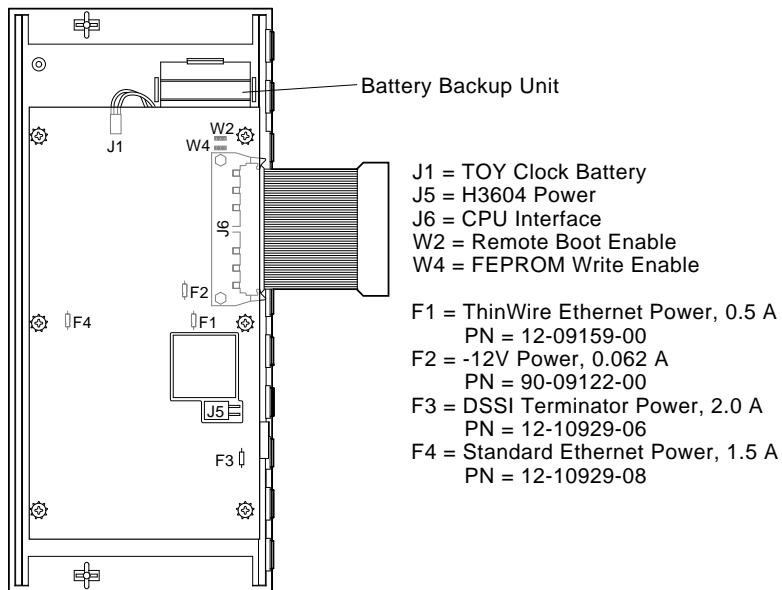
(continued on next page)

CPU System Overview 2.4 BA440 Enclosure Components

Table 2-3 (Cont.) H3604 Console Module Controls and Indicators

Control/Indicator	Function
Ethernet port features	The console module has two Ethernet connectors: a BNC-type connector for ThinWire Ethernet, and a 15-pin connector for a standard Ethernet transceiver cable. The Ethernet connector switch allows you to set the type of connection. To use the standard transceiver cable connection, set the switch to the up position. To use the ThinWire cable connection, set the switch to the down position. A green indicator light (LED) for each connector indicates which connection is active.

Figure 2-7 H3604 Console Module (Back)



MLO-006351

CPU System Overview

2.4 BA440 Enclosure Components

The back of the console module has the components listed in Table 2–4.

Table 2–4 H3604 Console Module (Back)

Component	Function
Battery Backup Unit	Provides battery backup power to the SSC RAM.
TOY Clock Battery connector (J1)	Provides the connection between the battery backup unit and the SSC RAM.
H3604 power connector (J5)	Four-pin power connector to power harness module.
CPU Interface connector (J6)	100-pin connector to the CPU module.
ThinWire Ethernet Power Fuse (F1)	Protects ThinWire Ethernet.
-12 V Power Fuse (F2)	Protects console serial line.
DSSI Terminator Power Fuse (F3)	Protects against shorts from the accidental grounding of the DSSI cable power pin.
Standard Ethernet Power Fuse (F4)	Protects Standard Ethernet.
Remote Boot Enable jumper (W2)	Not used
FEPR0M Write Enable jumper (W4)	This jumper must be in the write enable position to update FEPR0Ms on the CPU module. Refer to Chapter 6 for procedures on updating ROMs.
-9 V DC/DC converter	Generates voltage for the Ethernet transceiver.

(continued on next page)

CPU System Overview
2.4 BA440 Enclosure Components

Table 2–4 (Cont.) H3604 Console Module (Back)

Component	Function
Ethernet serial transceiver chip Serial Interface Adapter (SIA)	Performs Ethernet serial transactions.
TOY clock oscillator	Time of year oscillator. Provides TOY signal for the TOY clock in the system support chip (SSC) on the CPU module.

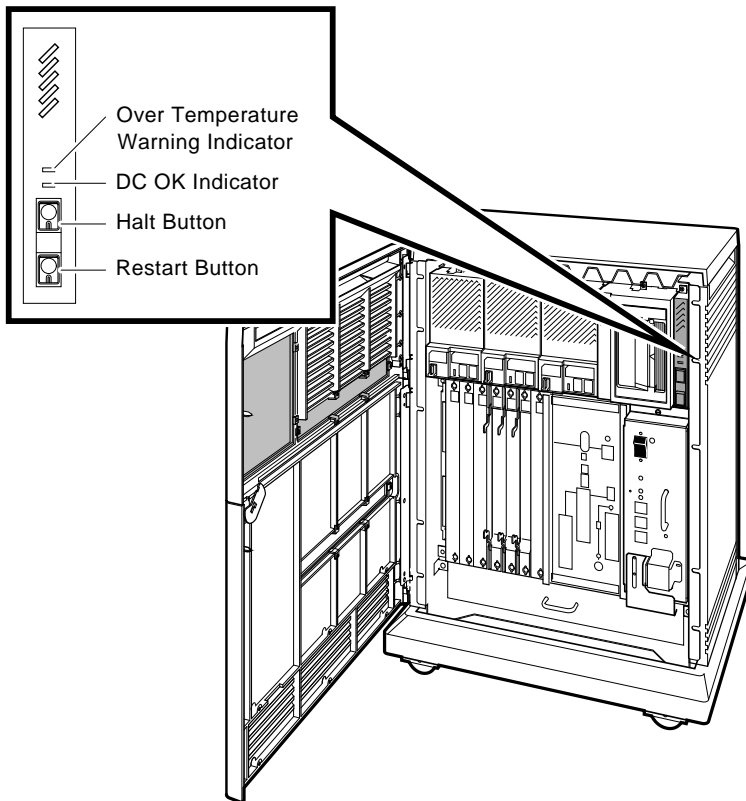
CPU System Overview

2.4 BA440 Enclosure Components

2.4.2 System Control Panel (SCP)

The system control panel (SCP) (Figure 2–8) provides the controls to halt the processor (external halt type) and enter console mode, as well as to restart the system and return the processor state to power-up and self tests.

Figure 2–8 System Control Panel



MLO-008652

CPU System Overview 2.4 BA440 Enclosure Components

The SCP has the controls and indicators listed in Table 2–5.

Table 2–5 System Control Panel Controls and Indicators

Control/Indicator	Function
Over Temperature Warning indicator	The red Over Temperature Warning indicator flashes to indicate that the system's internal temperature is approaching a level that may cause system components to overheat. In addition to the flashing Over Temperature Warning indicator, an audible alarm also provides warning of a possible over temperature condition. If the components continue to heat, the system will automatically shut down to prevent components from being damaged.
DC OK indicator	The green DC OK indicator shows that the power supply voltages are within the correct operating range.
Halt Button	The Halt button is a two-position button. When you press the button, the system halts. A red indicator on the Halt button lights when the button is set to the in position. Before you can enter console commands, press the Halt button again to return it to the out position. When the Halt button is returned to the out position, the console mode prompt >>> is displayed on the console terminal screen. Now you can enter console commands. If you inadvertently press the Halt button, type "c Return " to continue.

Caution

Pressing the Halt button halts the system regardless of the setting of the Break Enable /Disable switch on the console module.

(continued on next page)

CPU System Overview

2.4 BA440 Enclosure Components

Table 2–5 (Cont.) System Control Panel Controls and Indicators

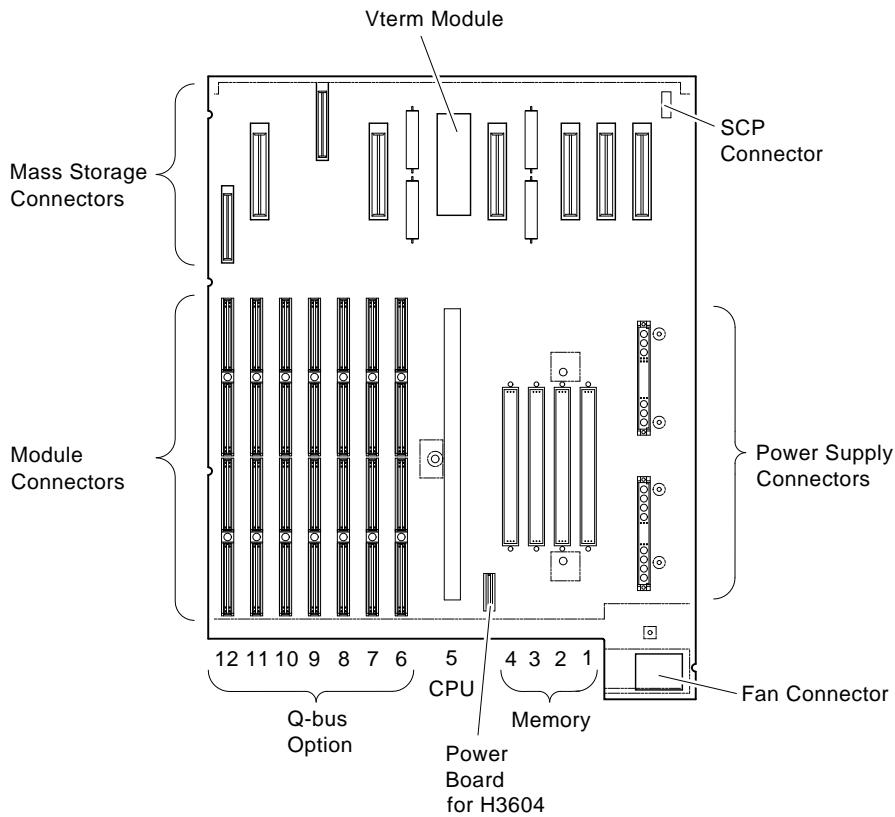
Control/Indicator	Function
Restart Button	The Restart button has a green indicator. When you press the Restart button, the system returns to a power-up condition and self-tests are run. If you have specified a device as the boot device and if the Break/Enable Disable switch is set to disable, the system will reboot system software.

CPU System Overview 2.4 BA440 Enclosure Components

2.4.3 BA440 Backplane

KA681/KA691/KA692/KA694-based systems use the BA440 (54-19354-01) backplane, shown in Figure 2-9.

Figure 2-9 BA440 Backplane



MLO-007695

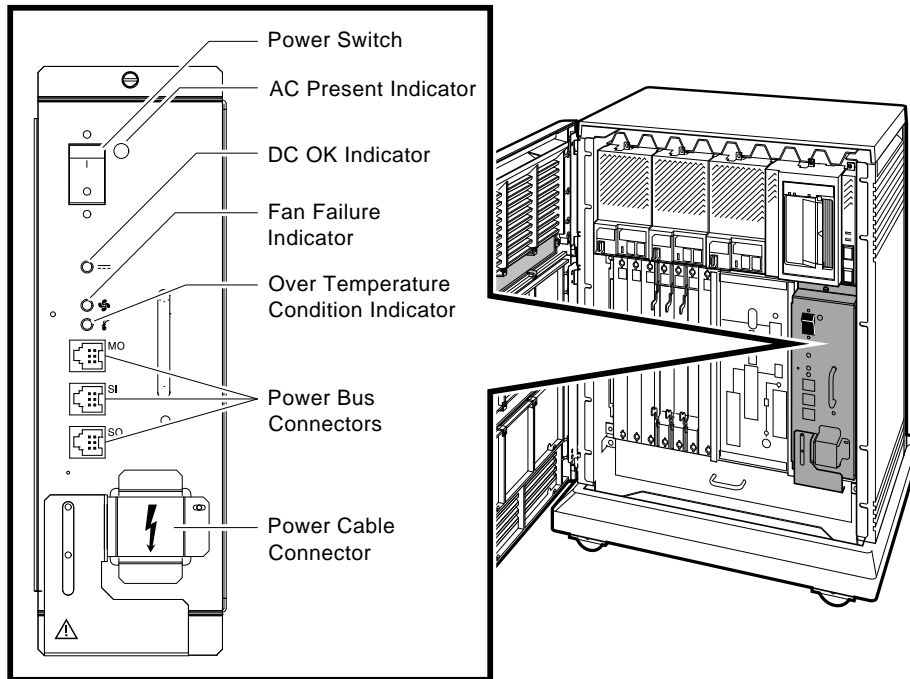
CPU System Overview

2.4 BA440 Enclosure Components

2.4.4 Power Supply

The BA440 enclosure uses the H7874 power supply (Figure 2–10). Table 2–6 describes the power supply components.

Figure 2–10 H7874 Power Supply



MLO-004040

CPU System Overview 2.4 BA440 Enclosure Components

Table 2–6 H7874 Power Supply Switches, Controls, and Indicators

Control/Indicator	Function
AC Present indicator (orange)	Lights when the Power switch is set to on (1), and the ac voltage is present at the input of the power supply.
Power switch	<p>The Power switch is used to turn system power on and off. The off position is indicated by a 0; the on position is indicated by a 1.</p> <p>The Power switch also functions as the system circuit breaker. In the event of a power surge, the breaker will trip causing the power switch to return to the off position (0). Turning on the system resets the circuit breaker. If the circuit breaker trips, wait one minute before turning the system back on.</p>
DC OK indicator (green)	When the DC OK indicator is lit, the voltages are within the correct operating range. An unlit DC OK indicator shows a problem with the power supply.
Fan Failure indicator (amber)	The Fan Failure indicator lights if either of the two cooling fans stops working. The power supply will automatically shut down the system as a precautionary measure when a fan failure is detected.
Over Temperature indicator (amber)	The Over Temperature indicator lights if the system has shut down due to an over temperature condition.

(continued on next page)

CPU System Overview
2.4 BA440 Enclosure Components

Table 2–6 (Cont.) H7874 Power Supply Switches, Controls, and Indicators

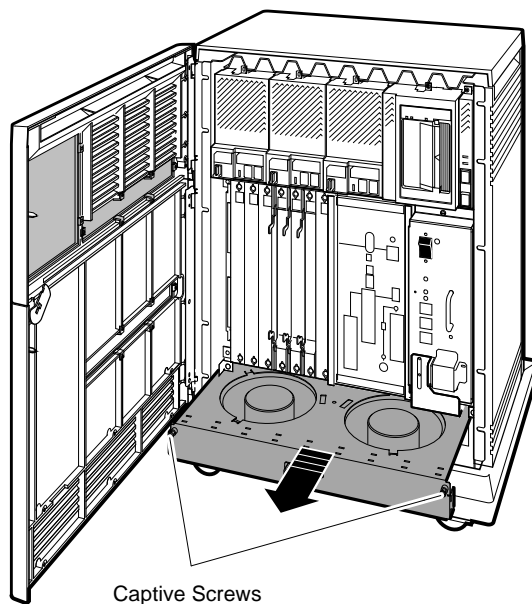
Control/Indicator	Function
Power bus connectors	<p>Three power bus connectors allow you to configure a power bus for systems expanded with a system expander. The power bus allows you to turn power on and off for the system through one power supply designated as the main power supply: this way, one power switch can control power for an expanded system.</p>
<p>Note</p> <p>DSSI VAXcluster systems should not be configured with a power bus. Inadvertently shutting off a host system and bringing down the cluster defeats the added reliability of a DSSI VAXcluster.</p>	
MO	<p>The main out connector sends the power control bus signal to the expander. One end of a power bus cable is connected here; the other end is connected to the SI (secondary in) connector of the expander power supply.</p>
SI	<p>The secondary in connector receives the power bus control signal from the main power supply. In a power bus with more than one expander, the power bus signal is passed along using the secondary in and out connectors.</p>
SO	<p>The secondary out connector sends the signal down the power bus for configurations of more than one expander.</p>

CPU System Overview 2.4 BA440 Enclosure Components

2.4.5 System Airflow

Two fans are located under the card cage (Figure 2–11). The power supply monitors the fans. If either fan stops working, the Fan Failure indicator on the power supply lights, and the system automatically shuts down as a precautionary measure.

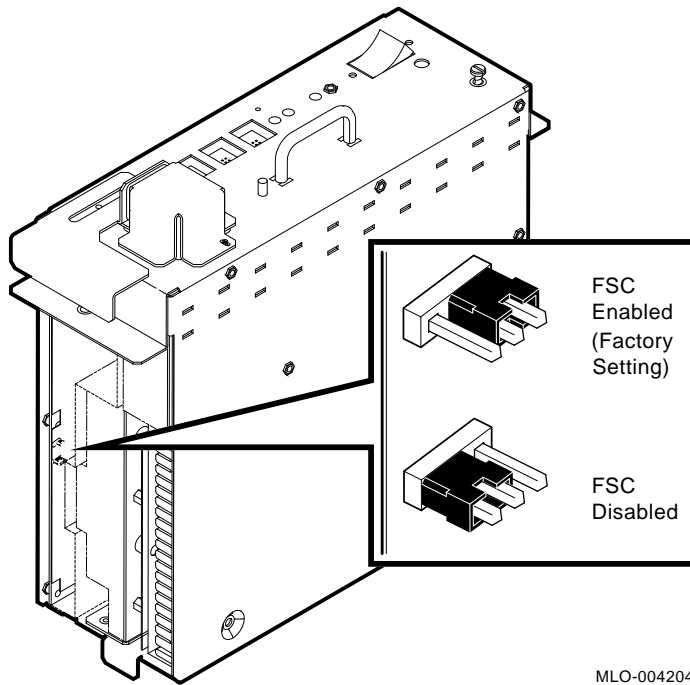
Figure 2–11 Fans



Some system managers request that the fans run at the maximum rate at all times to take advantage of a potential increase in system reliability. The system environment must not exceed the limits described in the *Site Preparation* manual. Figure 2–12 shows the location of the fan speed control (FSC) jumper on the bottom of the power supply. Setting the FSC jumper to disable causes the fans to run at the maximum rate.

CPU System Overview
2.4 BA440 Enclosure Components

Figure 2-12 Fan Speed Control (FSC) Jumper Location



System Setup and Configuration

This chapter describes the guidelines for the configuration of a KA681/KA691/KA692/KA694-based system. Configuration issues covered in this chapter include module order, mass storage configurations, system expansion, DSSI VAXcluster configurations, and firmware commands and utilities used in system configuration.

3.1 CPU and Memory Module Order

The five right-most BA440 backplane slots are dedicated to CPU and memory modules. The number and type of option modules installed in slots 6 through 12 depend on your configuration. If you only have two DSSI ports, then slots 6 through 12 are available for Q-bus option modules. If your system has four CPU DSSI ports, then slots 6 through 10 are available for Q-bus option modules and slots 11 and 12 are DSSI bus bulkheads. See Table 3-1.

Table 3-1 BA440 Module Order

Slot	Module
1 through 4	Reserved for up to four MS690 memory modules. MS690 modules are installed from left to right with no gaps: first memory module in slot 4, second memory module in slot 3, and so on.

Note

Proper placement of memory modules is necessary for FRU isolation using error logs.

(continued on next page)

System Setup and Configuration

3.1 CPU and Memory Module Order

Table 3–1 (Cont.) BA440 Module Order

Slot	Module
5	CPU module: KA681 (L4005–BA), KA691 (L4005-AA), KA692 (L4006-AA), KA694 (L4006–BA)
6 through 12	Q–bus options
<i>OR</i>	
6 through 10	Q–bus options
11 and 12	DSSI ports
<i>OR</i>	
6 through 9	Q–bus options
10 and 11	DSSI ports when M9404 is installed in slot 12

A system can have up to four memory modules. Memory modules are available in 32 MB (MS690–BA), 64 MB (MS690–CA), and 128 MB (MS690–DA), and can be used in any combination. The firmware logically configures the memory modules at power-up.

Note

The MS690–BA may not be used with the KA692 or KA694 CPU modules.

3.1.1 Installing Add-On MS690 Memory Modules

Perform the following steps to install add-on MS690 memory module(s). You do not set any jumpers or switches on the memory module. The memory address for the memory module is mapped by the system.

Caution

Turn off the system before installing modules. Installing modules while this system is powered up can damage the modules.

1. Two captive screws hold the console module (H3604) in place. To loosen, both screws should be turned counterclockwise. The console module is hinged on the left. Swing the assembly open.

System Setup and Configuration

3.1 CPU and Memory Module Order

Note

Two cables connect to the H3604 console module: a ribbon cable which connects to the CPU module; and a four-pin power harness connects to a power harness module (also known as the power board H3604) which plugs into the backplane. The power harness module is located directly to the right of the CPU module.

2. Install the module(s) starting with the first empty slot, which is located on the right side of the power harness module. The power harness module is located between the CPU module (slot 5) and the first memory module (slot 4).

The memory module(s) must be installed in adjacent slots with no empty slots between. Slots 12 through 6 are Q-bus slots, or slots 10 through 6 are Q-bus slots and slots 12 and 11 are optional DSSI slots; slot 5 is the CPU slot; and slots 4 through 1 are the memory module slots.

3. Make sure the ratchet handles on the memory module are on the right side of the module.

Wearing the antistatic wrist strap, install the memory module in the first available memory slot to the right of the CPU. Ensure that the memory module is vertically aligned. Push the memory module in until the ratchet handles engage with the enclosure frame. Push the ratchet handles inward toward the rear of the cabinet until the memory module is firmly seated in the backplane. When the memory module is firmly seated, the ratchet handles will lock the module in place.

Note

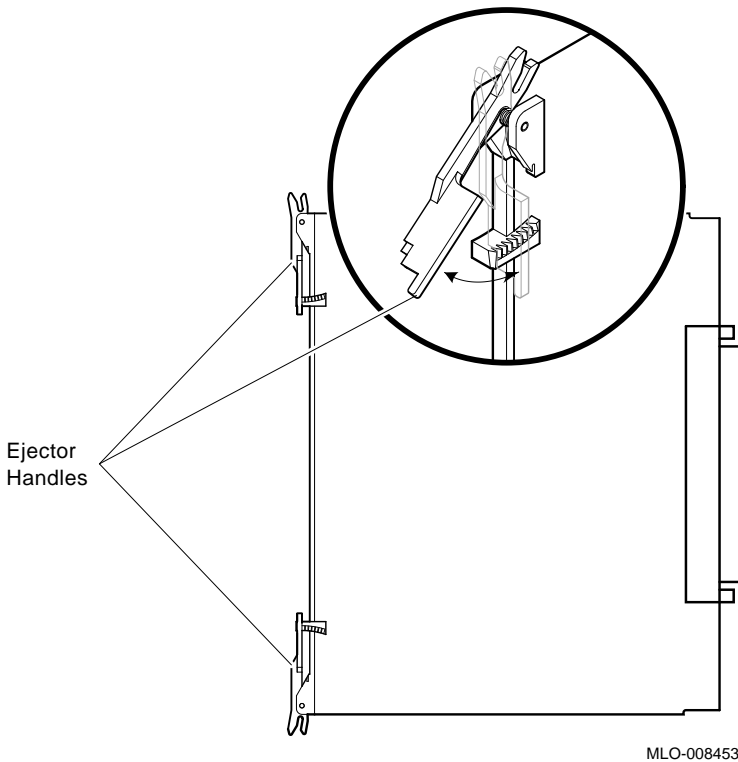
The CPU and MS690 memory modules are equipped with ratchet handles (Figure 3-1) which are shipped in a horizontal position. The ratchet handles are designed to ensure that the modules are properly seated in the backplane connectors.

4. Close the H3604 console module and lock the 1/4-turn captive screws.
5. To identify the memory module, place the MS690 option label (supplied in the option kit) in the proper location on the H3604 panel. Indicate the revision number and memory option (BA, CA, or DA).

System Setup and Configuration

3.1 CPU and Memory Module Order

Figure 3–1 Memory Module Ratchet Handles



6. Refer to Chapter 4 for information on initialization and acceptance testing.

3.2 General Module Order for Q–Bus Options

The order of the supported Q–bus options in the backplane depends on four factors:

- Relative use of devices in the system
- Expected performance of each device relative to other devices
- The ability of a device to tolerate delays between bus requests and bus grants (called delay tolerance or interrupt latency)
- The tendency of a device to prevent other devices farther from the CPU from accessing the bus

System Setup and Configuration

3.2 General Module Order for Q-Bus Options

The supported options arranged by type are:

Communications

CXA16-AA/AF: 16-line DEC-423 asynchronous controller
CXB16-AA/AF: 16-line RS-422 asynchronous controller
CXY08-AA/AF: 8-line RS-232C asynchronous controller with modem
DEFQA-SA/SF: Q-bus FDDI adapter
DEFQA-DA/DF: Q-bus FDDI adapter
DEQRA-CA: Token Ring Network Controller
DESQLA-SA/SF: ThinWire Ethernet adapter
DFA01-AA/AF: 2400/1200 BPS modem
DIV32-SA/SF: Q-bus ISDN basic rate access interface
DPV11-SA/SF: Q-bus synchronous programmable interface
DRV1W-SA/SF: General purpose 16-bit parallel DMA interface
DRV1J-SA/SF: Q-bus parallel interface
DSV11-SA/SF: Q-bus 2-line synchronous
KMV1A-SA/SF: Single-line programmable controller with DMA

General

ADQ32-SA/SF: 32-channel ADC module
ADV11-SA/SF: 16-channel ADC module
AXV11-SA/SF: 16-channel ADC, 2-channel DAC module
DRQ3B-SA/SF: Q-bus parallel I/O interface
DTC05-SA: Digital encoded voice, multifunction
IBQ01-SA/SF: DECscan/BITBUS controller
IEQ11-SA/SF: Dual-bit DMA serial Q-bus controller
KITHA-AA: Mira AS option
KWV11-SA/SF: Programmable real-time clock
LPV11-SA/SF: Line printer controller
MRV11: Q-bus, universal socket, 32-Kbyte EPROM
VS30U-GA/G3/G4: Graphics option

Mass Storage, Tape, Pedestal Expansions

EF51R-AA/AF: 107-Mbyte solid state storage element with data retention
EF52R-AA/AF: 205-Mbyte solid state storage element with data retention
EF53-AA/AF: 267-Mbyte solid state storage element without data retention
HSD05-JA/JF: DSSI to SCSI converter
RF35E-AA: 852-Mbyte half-height DSSI integrated storage element
RF352-AA/AF: Two RF35s for installation in one 5.25-inch storage cavity
RF36E-AA/AF: 1.6-Gbyte half-height DSSI integrated storage element
RF362-AA/AF: Two RF36s for installation in one 5.25-inch storage cavity
RF73E-AA/AF: 2.0-Gbyte full-height DSSI integrated storage element
RF72E-AA/AF: 1.0-Gbyte full-height DSSI integrated storage element

System Setup and Configuration

3.2 General Module Order for Q-Bus Options

RF71E-AA/AF: 400-Mbyte full-height DSSI integrated storage element
RF31E-AA/AF: 381-Mbyte half-height DSSI integrated storage element
RF31T-AA/AF: 381-Mbyte full-height DSSI integrated storage element
RF74E-AA/AF: 3.75-Gbyte full-height DSSI integrated storage element
TF85E-JA/JF: 2.6-Gbyte DSSI integrated storage element with 5.25-inch cartridge
TF85-TA: 3.75-Gbyte DSSI tape drive in table top enclosure
TF86E-JA/JF: 6.0-Gbyte DSSI tape driver ISE for BA400-series 5.25-inch storage cavity
TLZ04-JA/JF/GA: 1.2-Gbyte cassette (DAT) tape drive (requires KZQSA storage adapter)
TLZ06-GA: 2.0-/4.0-Gbyte tabletop 4mm DAT drive (requires KEQSA SCSI adapter)
TK70E-AA/AF/TQK70-SA/SF: 5.25-inch cartridge, 296-Mbyte tape drive, tape controller
TK50E-AA/AF/TQK50-SA/SF: 5.25-inch cartridge, 95-Mbyte tape drive, tape controller
KLESI-SA: Q-bus to LESI adapter
KFQSA-SE/SG: DSSI Q-bus adapter
KZQSA-SA/SF: Storage adapter for TLZ04 tape drive and RRD42 compact disc drive
RA81/82: Storage array (separate cabinets only)
RA90/92: Storage array (separate cabinets only)
KDA50-SE/SG: SDI Q-bus adapter
KRQ50-SA/SF: Q-bus controller for RRD40-DC
TU81E-SA/SB: Magnetic tape (requires KLESI controller)
TSV05-SE/SF/SH/SJ: Q-bus TS05 magnetic tape controller
B400X: Expansion box with 10 Q-bus slots and up to 4 ISEs
R400X-B9: Expansion box with up to 7 RF-series ISEs
RRD40: 600-Mbyte CDROM tabletop drive (requires KRQ50 controller)
RRD42: 600-Mbyte tabletop compact disc drive (requires KZQSA storage adapter)
RSV20-A: WORM optical drive subsystem (requires KLESI controller)
RWZ01: 594-Mbyte Magneto-Optical Disc (requires KZQSA storage adapter)
ESE20: Electronic storage element (requires KDA50 controller)

System Setup and Configuration
3.3 Recommended Module Order of Q-Bus Options

3.3 Recommended Module Order of Q-Bus Options

The recommended module order for placement of Q-bus options is provided in the following list:

MRV11 (Placement not critical)
AAV11
ADV11
AXV11
KVV11
DRV1J
KMV1A
DEQRA
DESQLA
DEFQA
DPV11
DIV32
VS3OU
DFA01
CXA16
CXY08
CXB16
LPV11
DRV1W
KRQ50
IEQ11
ADQ32
DRQ3B
DSV11
KLESI
IBQ01
TSV05 (M7530 controller)
KDA50-SE
KFQSA-SE
KZQSA
TQK50
TQK70
M9060-YA

System Setup and Configuration

3.4 (Optional) DSSI Ports Assignment

3.4 (Optional) DSSI Ports Assignment

The last two slots in the BA440 enclosure will contain DSSI bulkheads if ordered. Slot 11 is assigned Bus 2 and slot 12 is Bus 3.

3.5 Mass Storage Options (Internal)

The mass storage shelf of a BA440 enclosure provides four storage cavities for embedded mass storage options. The rightmost storage cavity can contain a tape drive (TF85/TF86, TK-series, or TLZ04); all four storage cavities can contain an EF/RF-series ISE.

Combinations of dual-disk, single-disk, or tape ISEs can be used to gain the full complement of seven DSSI devices on the internal DSSI bus (Bus 0).

VAX 4000 Model 500A/505A/600A/700A/705A systems can support the following combinations of mass storage options embedded in the system enclosure:

- One tape drive (TF85/TF86, TK-series, or TLZ04) and up to six EF/RF-series ISEs using the dual-disk RF35.
- No tape drive and up to seven RF-series ISEs using the dual-disk RF35.

Note

The RF35, which has dual-disk capability, can be ordered with a single disk.

Figure 3–2 shows an example of a mass storage configuration consisting of a TF85/TF86 tape drive, two RF35s, and two RF73s.

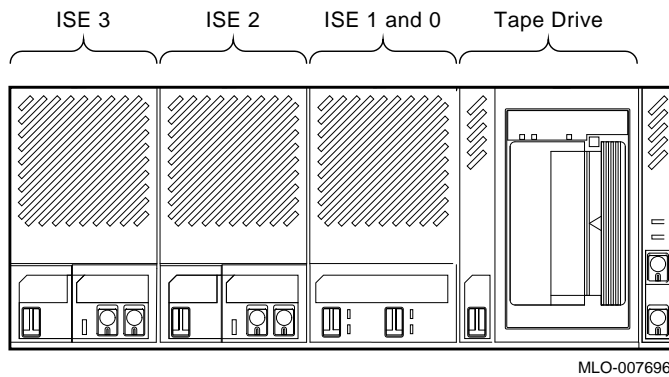
Rules for Numbering Storage Devices

Use the rules below for numbering (bus node ID and MSCP unit numbers) storage devices:

- For each DSSI bus, do not duplicate bus node ID numbers for your storage devices/adapters. For Bus 0, you can have only one storage device identified as bus node 0, one storage device as 1, and so on; for Bus 1, you can have only one storage device identified as bus node 0, one storage device as 1, and so on.
- The previous rule also applies to DSSI VAXcluster configurations; all DSSI bus node numbers for storage devices and DSSI adapters must be unique in a shared DSSI bus.

System Setup and Configuration 3.5 Mass Storage Options (Internal)

Figure 3–2 Storage Configuration Example



- By convention, the EF/RF-series ISEs are numbered in increasing order from right to left beginning with zero.
- DSSI adapters use the highest available bus nodes. The next highest available bus node (usually five) is reserved for the TF-series tape drive.
- When more than one DSSI bus is being used and the system is using a nonzero allocation class, you need to assign new MSCP unit numbers for devices on all but one of the DSSI buses since the unit numbers for all DSSI devices connected to a system's associated DSSI buses must be unique. Refer to Section 3.8.3 for more information on setting parameters for DSSI devices.

Note

If you change the bus node ID plugs, power down the system, change the plugs and then power up the system.

System Setup and Configuration

3.6 System Expansion

3.6 System Expansion

The mass storage and Q-bus capacity of VAX 4000 Model 500A/505A/600A /700A/705A systems can be increased using the following expanders.

3.6.1 Mass Storage Expanders

- The R400X mass storage expander provides space for up to seven additional EF/RF-series ISEs or up to six EF/RF-series ISEs and a tape drive (TF85 /TF86 or TLZ04). Using R400X expanders, you can fill both DSSI buses for a total of 14 DSSI mass storage devices.

Note

Using the dual-disk RF35, the R400X can accommodate up to 13 ISEs.

System Setup and Configuration

3.6 System Expansion

- The R215F expander provides space for up to three EF/RF-series ISEs. This does not include the RF74.

Note

Using the dual-disk RF35, you can increase the number of ISEs—up to seven ISEs per DSSI bus.

- The SF100 storage array pedestal provides space for a TF857 magazine tape subsystem and one SFxx storage array building block.
- The SF200 storage array subsystem provides space for up to two TF857 magazine tape subsystems and up to six SFxx storage array building blocks.
- The SF12 is a desktop DSSI expander providing four 3.5-inch storage slots.

3.6.2 Q-Bus Expanders

- The B400X expander provides 10 additional usable Q-bus slots for a system total of 17 usable Q-bus slots. The B400X also has space for up to four additional EF/RF-series ISEs or up to three ISEs and a tape drive (TF85/TF86, TK70, or TLZ04).

Note

Using the dual-disk RF35, the B400X can accommodate up to seven ISEs.

- The B213F expander also provides 10 additional usable Q-bus slots and provides space for up to three EF/RF-series ISEs or up to three ISEs and a TK-series tape drive.

Note

Installing a B213F or R215F on a VAX 4000 system requires the H4010-AA expander cable kit.

System Setup and Configuration

3.6 System Expansion

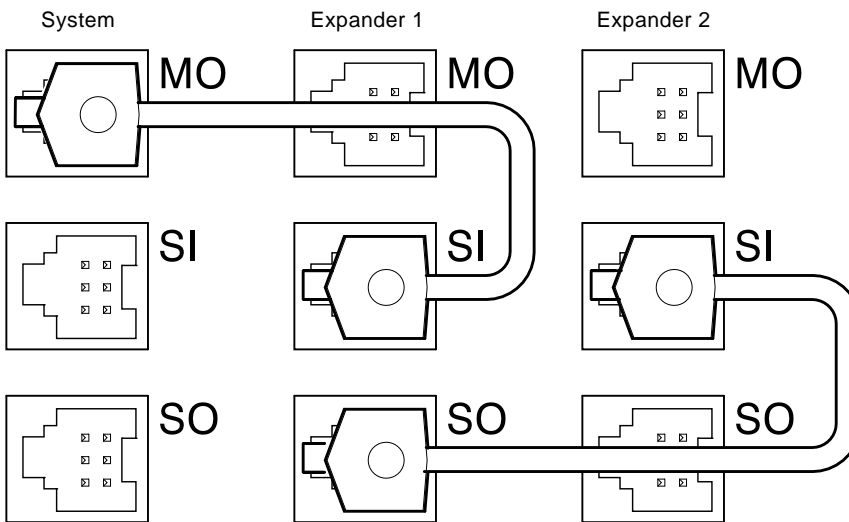
3.6.3 Control Power Bus for Expanders

The three power bus connectors on the H7874 power supply allow you to configure a power bus for systems expanded with R400X and B400X expanders. The power bus allows you to turn power on and off for one or more expanders through the power supply designated as the main power supply (Figure 3–3).

Note

DSSI VAXcluster systems should not be configured with a power bus. Inadvertently bringing down the cluster defeats the added reliability of a DSSI VAXcluster.

Figure 3–3 Sample Power Bus Configuration



MLO-004041

System Setup and Configuration

3.6 System Expansion

3.6.4 Adding Options to the System Enclosure

To determine what options you can add to the system enclosure, you must list the options currently installed and their power requirements on the VAX 4000 Model 500A/505A/600A/700A/705A Configuration Worksheet, provided in Figure 3-4.

The worksheet in Figure 3-4 is for the BA440 enclosure. All backplane slots and mass storage devices are powered by the H7874 power supply.

Use the worksheets as follows:

1. In the Module column, list all options and mass storage devices currently installed in your system. The CPU module has already been entered.
Use the label on the cover panel of each slot to identify the module installed in that slot.
2. List each embedded storage device.
3. List the options and mass storage devices you wish to add to your system.
4. If the system includes a TK50 or TK70 tape drive, list the TQK70 controller last.
5. Fill in the power requirements for each module and each mass storage device. The power requirements for the more common options are listed in Table 3-2.
6. Add each column and make sure the totals do not exceed the specified limit.

System Setup and Configuration

3.6 System Expansion

Figure 3-4 VAX 4000 Model 500A/505A/600A/700A/705A Configuration Worksheet

Slot	Module	Current (Amps) ¹				Power (Watts)	Bus Load	
		+5 Vdc	+12 Vdc	+3.3 Vdc	-12 Vdc		AC	DC
MEM 1								
MEM 2								
MEM 3								
MEM 4								
CPU 2	L4002-nA ³	4.8	1.6	3.2	0.0	53.8	4.0	1.0
CPU 2	L4005-nA ⁴	9.084	1.6	—	—	64.62	4.0	1.0
CPU 2	L4006-nA ⁵	8.6	1.6	—	—	62.2	4.0	1.0
Q-bus 1								
Q-bus 2								
Q-bus 3								
Q-bus 4								
Q-bus 5								
Q-bus 6								
Q-bus 7								
Mass Storage:								
Tape							—	—
1								
2								
3								
4								
Total these columns:								
Must not exceed:		60.0 A	22.0 A	15.0 A	3.0 A	584.0 W	31	20

1. Total output power from +3.3 Vdc and +5 Vdc must not exceed 330 watts.
2. Power requirements in this line include CPU module, H3604 console module, and backplane terminator combined.
3. KA690(L4002-AA), KA680(L4002-BA), or KA675(L4002-CA)
4. KA681 (L4005-BA) or KA691 (L4005-AA)
5. KA692 (L4006-AA)
6. KA694 (L4006-BA)

MLO-005361

System Setup and Configuration 3.6 System Expansion

Table 3–2 Power Requirements

Option	Module	Current (Amps) Max		Power Max Watts	Bus Loads	
		+5 V	+12 V		AC	DC
AAV11–SA	A1009–PA	2.10	0.00	10.50	2.5	0.5
ADQ32–SA	A030	4.45	0.00	22.25	2.5	0.5
ADV11–SA	A1008–PA	2.00	0.00	10.00	2.3	0.5
AXV11–SA	A026–PA	2.00	0.00	10.00	1.2	0.3
CXA16–AA	M3118–YA	1.60	0.20	10.40	3.0	0.5
CXB16–AA	M3118–YB	2.00	0.00	10.00	3.3	0.5
CXY08–AA	M3119–YA	1.64	0.395	12.94	3.0	0.5
DEFQA–DA	M7534–AD	5.60	0.1	31.0	4.9	1.5
DESQLA–SA	M3127–PA	2.40	0.22	14.64	3.3	0.5
DEQRA–CA	M7533–AB	4.0	1.0	21.20	2.2	0.5
DFA01–AA	M3121–PA	1.97	0.04	10.30	3.0	1.0
DIV32–SA	M7571–PA	5.5	0.00	35.4	3.5	1.0
DPV11–SA	M8020–PA	1.20	0.30	9.60	1.0	1.0
DRQ3B–SA	M7658–PA	4.50	0.00	22.50	2.0	0.5
DRV1J–SA	M8049–PA	1.80	0.00	9.00	2.0	1.0
DRV1W–SA	M7651–PA	1.80	0.00	9.00	2.0	1.0
DSV11–SA	M3108	5.43	0.69	35.43	3.9	1.0
DTC05–SA	M3136	4.0	0.0	15.80	3.6	0.75
EF51R	–	0.0	2.3	27.6	N/A	N/A
EF52R	–	0.0	2.2	26.2	N/A	N/A
EF53	–	3.7	0.1	18.4	N/A	N/A
H3604 ¹	–	1.70	0.50	14.50	–	–
IBQ01–SA	M3125–PA	5.00	0.30	28.60	4.6	1.0
IEQ11–SA	M8634–PA	3.50	0.00	17.50	2.0	1.0
KDA50–SE	M7164	6.93	0.00	34.65	3.0	0.5
—	M7165	6.57	0.03	33.21	–	–

¹Also include –12 Vdc @ 0.25 A, 3 W.

(continued on next page)

System Setup and Configuration

3.6 System Expansion

Table 3–2 (Cont.) Power Requirements

Option	Module	Current (Amps) Max		Power Max Watts	Bus Loads	
		+5 V	+12 V		AC	DC
KFQSA–SA	M7769	5.50	0.00	27.50	4.4	0.5
KLESI–SA	M7740–PA	4.00	0.00	20.00	0.5	1.0
KRQ50–SA	M7552	2.70	0.00	13.50	2.7	1.0
KWV11–SA	M4002–PA	2.20	0.013	11.156	1.0	0.3
KXJ11–SF	M7616	6.0	0.4	46.8	2.0	1.0
KZQSA–SA	M5976	5.4	0.0	27.0	4.4	0.5
LPV11–SA	M8086–PA	2.80	0.00	14.00	1.8	0.5
M9404–PA	M9404	–	0.00	0.0	–	–
M9405–PA	M9405	–	0.00	0.0	–	–
MRV11–D	M8578	1.60 ²	0.00	8.00	3.0	0.5
MS690–BA	L4004–BA	5.03	0.00	26.5	–	–
MS690–CA	L4004–CA	4.2	0.00	21.0	–	–
MS690–DA	L4004–DA	6.4	0.00	32.0	–	–
RF312–xx	–	0.86(x2)	2.89(x2)	33.2	N/A	N/A
RF31E–AA/AF	–	1.2	2.21	32.52	N/A	N/A
RF31F–AA/AF	–	1.2	2.21	32.52	N/A	N/A
RF31T–AA/AF	–	1.71	0.85	13.7	N/A	N/A
RF352–AA/AF	–	1.69	5.10	33.0	N/A	N/A
RF35E–AA/AF	–	0.71	2.29	31.1	N/A	N/A
RF362–AA	–	0.86(x2)	2.89(x2)	16.6(x2)	N/A	N/A
RF36E–AA	–	0.86	2.89	16.6	N/A	N/A
RF71E–AA/AF	–	1.25	1.64	25.93	N/A	N/A
RF72E–AA/AF	–	1.20	1.75	27.00	N/A	N/A
RF73E–AA/AF	–	1.20	1.75	27.00	N/A	N/A
RF74E–AA	–	1.0	2.5	35.0	N/A	N/A
TF85E–JA/JF	–	1.50	2.40	36.30	N/A	N/A

²Value is for the unpopulated module only.

(continued on next page)

System Setup and Configuration

3.6 System Expansion

Table 3–2 (Cont.) Power Requirements

Option	Module	Current (Amps) Max		Power Max Watts	Bus Loads	
		+5 V	+12 V		AC	DC
TK50E-AA	–	1.50	2.40	36.30	N/A	N/A
TK70E-AA/AF	–	1.50	2.40	36.30	N/A	N/A
TLZ04-JA/JF	–	1.5	2.4	36.3	N/A	N/A
TLZ06-GA/GF	–	1.2	1.75	12.0	N/A	N/A
TQK50-SA/SF	M7546	2.9	0.00	14.5	2.8	0.5
TQK70-SA/SF	M7559	3.50	0.00	17.50	4.3	0.5
TSV05-SA	M7530	6.50	0.00	32.50	1.5	1.0
VCB02-A	M7615	4.60	0.10	24.2	3.5	1.0
VCB02-B	M7168 M7169	8.85	0.47	49.89	3.5	1.0
VCB02-C	(2) M7168 M7169	12.0	0.47	65.64	3.5	1.0

3.7 DSSI VAXclusters

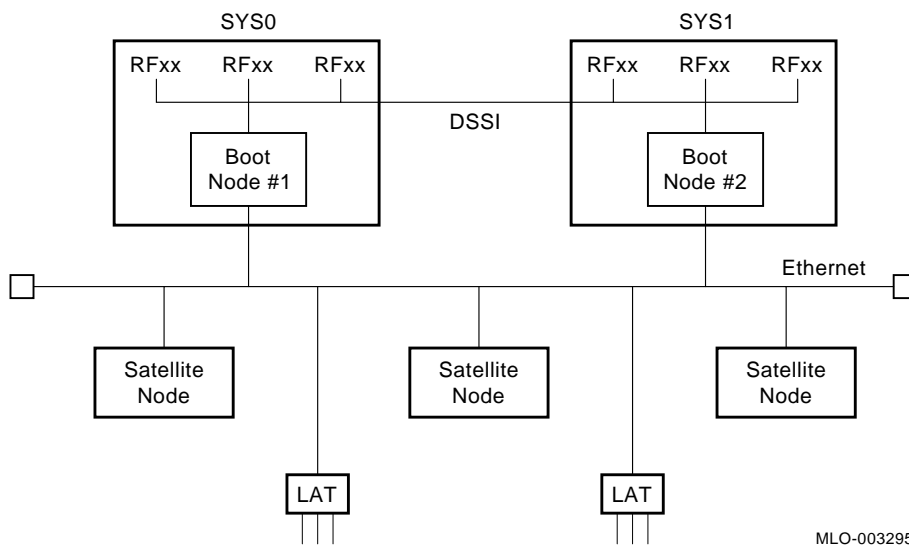
A DSSI VAXcluster configuration is one in which up to three systems can access the same DSSI devices. Some failures of any system can be tolerated, in which case the remaining system(s) continues to access all available DSSI devices and assure continued processing. See Figure 3–5.

If one of the CPU modules fails, all satellite nodes booted through that CPU module lose connections to the system disk. However, the DSSI VAXcluster enables each satellite node to know that the system disk is still available through a different path—that of the functioning CPU module. A connection through that CPU is then established, and the satellite nodes are able to continue operation. The entire cluster will run slower, since one CPU is now serving the satellite nodes of both systems. Processing can continue, however, until Digital Services can repair the problem.

System Setup and Configuration

3.7 DSSI VAXclusters

Figure 3-5 DSSI Cabling for a Generic Two-System DSSI VAXcluster Configuration



System Setup and Configuration

3.7 DSSI VAXclusters

A DSSI VAXcluster system cannot recover from the following conditions:

- System disk failure, which can be caused by such factors as a power supply failure in the enclosure containing the disk.
- DSSI cabling failure, which must be repaired to continue operation.

3.7.1 DSSI VAXcluster Configuration Rules

- An Ethernet (NI)/FDDI is required on all CPU nodes.
- A DECnet license is required (at least one full function license).
- At least one common (primary) DSSI bus is required to connect with a system disk containing system critical files.
- VAXcluster and OpenVMS license is required.
- A maximum of eight nodes per DSSI bus:
 - a. Each adapter or ISE (disk/tape) counts as one node.
 - b. A DSSI bus is a collection of all DSSI cable/path segments (inside and outside of cabinets) between two end terminators.
 - c. Each node must have a unique bus node ID number (0–7).
- A maximum of three CPUs/adapters per DSSI bus is supported.
- The DSSI bus **MUST** be terminated at both ends.
- The DSSI bus **MUST** have a common ground between all elements (CPU, disks). The ground offset is a function of the total DSSI bus length (terminator to terminator).

Use a voltmeter to make sure the ground offset voltage between any two enclosures does not exceed one of the limits listed below.

Total Bus Length	Allowable Ground Offset Voltage	
	DC	AC (rms)
Up to 20 meters (65 feet) (Office environment)	200 millivolts	70 millivolts
20 to 25 meters (65 to 82 feet) (Computer room)	40 millivolts	14 millivolts

Total bus length includes all DSSI cable lengths, internal and external. Refer to the *DSSI VAXcluster Installation and Troubleshooting* manual for instructions on calculating internal cable lengths.

System Setup and Configuration

3.7 DSSI VAXclusters

To measure the ground offset voltage, connect the voltmeter leads to bare (unpainted) metal on each enclosure.

Note

The ground offset voltage may vary over time if equipment is added to the system or plugged into the power outlets. Therefore, this measurement does not guarantee that the voltage will remain within acceptable limits.

- Maximum single cable length is 15 m (50 ft) between connectors.
- Disconnecting the DSSI cables is NOT allowed while bus is operational.
- Number of DSSI buses per CPU:

CPU	DSSI Buses
KA630	2 KFQSAs on Q-bus
KA640	1 Embedded DSSI Adapter (EDA), 2 KFQSA on Q-bus
KA650/KA655	2 KFQSAs on Q-bus
KA660	1 Embedded DSSI Adapter (EDA), 2 KFQSA on Q-bus
KA670	2 Embedded DSSI Adapters (EDAs), 2 KFQSA on Q-bus
KA675	2 Embedded DSSI Adapters (EDAs), 2 KFQSA on Q-bus
KA680	2 Embedded DSSI Adapters (EDAs), 2 KFQSA on Q-bus
KA690	2 Embedded DSSI Adapters (EDAs), 2 KFQSA on Q-bus
KA681	2 or 4 ¹ Embedded DSSI Adapters (EDAs), 2 KFQSA on Q-bus
KA691	2 or 4 ¹ Embedded DSSI Adapters (EDAs), 2 KFQSA on Q-bus
KA692	2 or 4 ¹ Embedded DSSI Adapters (EDAs), 2 KFQSA on Q-bus
KA694	2 or 4 ¹ Embedded DSSI Adapters (EDAs), 2 KFQSA on Q-bus
6xxx	6 KFMSAs per system
9000	6 KFMSAs per XMI 12 KFMSAs per system

¹2 embedded DSSI adapters on the CPU module plus 2 DSSI adapters on the optional DSSI daughter card (KFDDDB).

- The minimum OpenVMS revision for DSSI VAXcluster of more than two nodes with:
 - a. VAX 4000 Model 400 is OpenVMS 5.5-2

System Setup and Configuration

3.7 DSSI VAXclusters

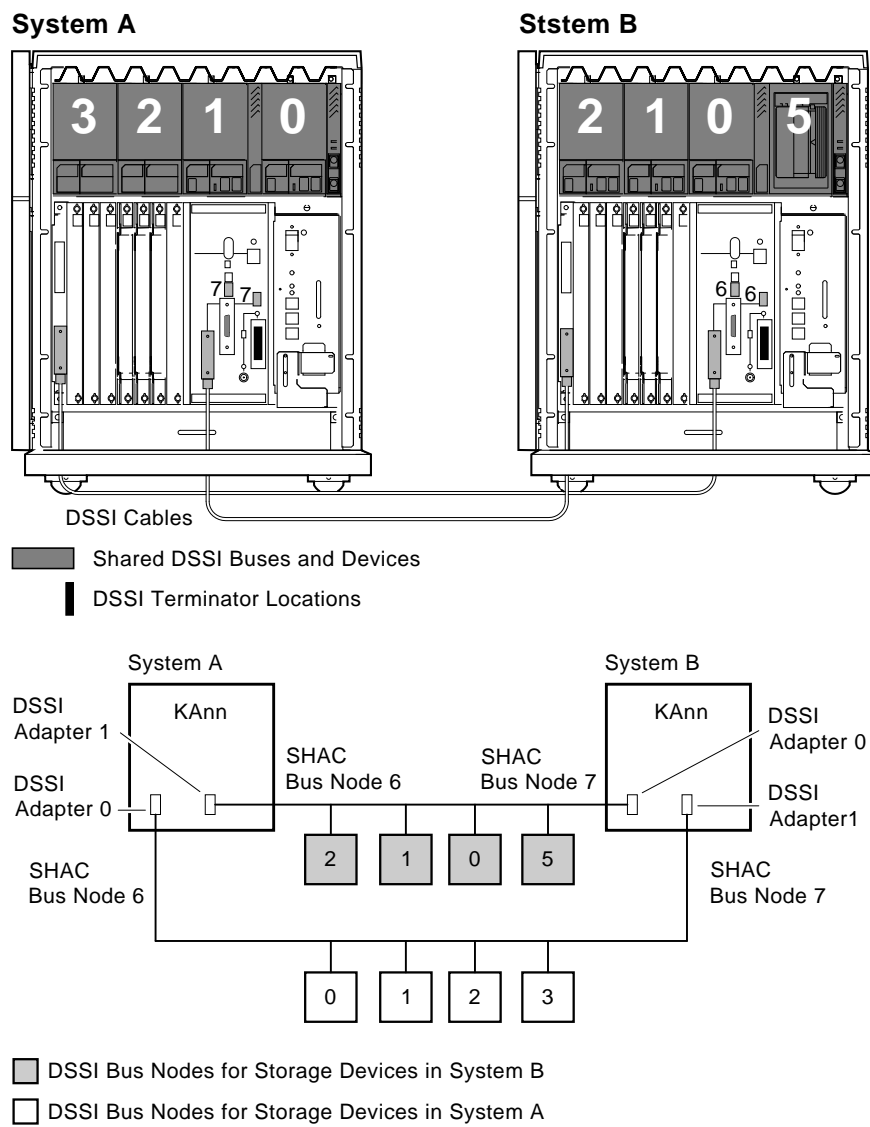
- b. VAX 4000 Model 500 is OpenVMS 5.5
- c. VAX 4000 Model 500A is OpenVMS 5.5-2H4
- d. VAX 4000 Model 505A is OpenVMS 5.5-2H4
- e. VAX 4000 Model 600 is OpenVMS 5.5-2
- f. VAX 4000 Model 600A is OpenVMS 5.5-2H4
- g. VAX 4000 Model 700A is OpenVMS 5.5-2H4
- h. VAX 4000 Model 705A is OpenVMS 5.5-2H4
- OpenVMS 6.0 does not support any VAX 4000 platforms.
- These rules apply to Digital supplied hardware. Third party devices may not conform to DSSI electrical specification requirements. Therefore, bus length, ground offset, basic noise margining, and warm swap characteristics are at risk when using third party devices.
- Like adapters should be connected together whenever possible.
- Like CPUs should be connected together whenever possible.

For more information on DSSI VAXcluster configurations, refer to the *DSSI VAXcluster Installation and Troubleshooting* manual. Figure 3-6 and Figure 3-7 show two popular DSSI VAXcluster configurations using a VAX 4000 system.

System Setup and Configuration

3.7 DSSI VAXclusters

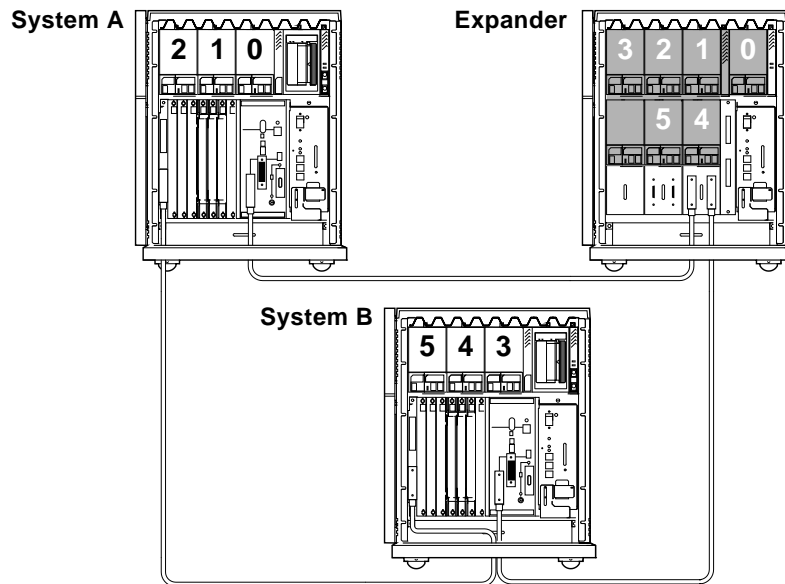
Figure 3-6 Two-System DSSI VAXcluster



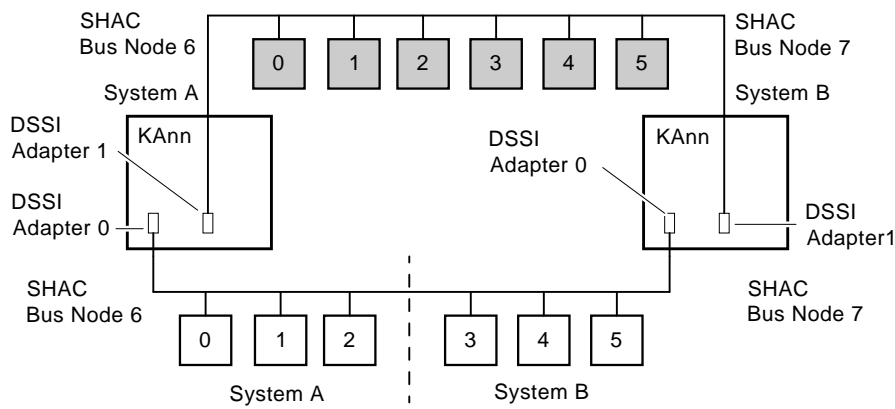
MLO-008312

System Setup and Configuration 3.7 DSSI VAXclusters

Figure 3-7 Expanded Two-System DSSI VAXcluster



DSSI Terminator Locations



- DSSI Bus Nodes for Storage Devices in Expander
- DSSI Bus Nodes for Storage Devices in System A and B

MLO-008663

System Setup and Configuration

3.8 Firmware Commands and Utilities Used in System Configuration

3.8 Firmware Commands and Utilities Used in System Configuration

Several commands and utilities are needed to configure a system. This section covers commands for examining and setting system parameters, DSSI parameters, and module addresses. For a complete listing of firmware commands, refer to Appendix A.

3.8.1 Examining System Configuration

Several variations of the SHOW command provide a display of options and key configuration information.

- **SHOW DEVICE** — Lists devices (mass storage, Ethernet, and Q-bus) in the system. (The SHOW DEVICE command combines the information displayed using the SHOW command with DSSI, UQSSP, SCSI, and Ethernet.)
- **SHOW DSSI** — Lists all DSSI devices and their associated DSSI parameters for embedded DSSI adapters.
- **SHOW DSSI_ID** — Lists the DSSI node ID for each adapter.
- **SHOW ETHERNET** — Lists the hardware Ethernet address for each Ethernet adapter.
- **SHOW QBUS** — Lists all Q-bus devices and their I/O addresses in hex, the address as it would appear in the Q-Bus I/O space in octal, as well as the word data read in hex.
- **SHOW SAVED_STATE** — Lists the non-volatile console parameter values stored in FEPRM.
- **SHOW SCSI** — Lists all SCSI devices in the system.
- **SHOW SCSI_ID** — Lists the SCSI node ID for each adapter.
- **SHOW UQSSP** — Lists all DSSI devices for KFQSA-based DSSI adapters.
- **SHOW MEMORY** — Lists main memory configuration for each memory board.

System Setup and Configuration

3.8 Firmware Commands and Utilities Used in System Configuration

Sample displays of some of the above commands are provided below.

```
>>>SHOW DEVICE
DSSI Bus 0 Node 0 (CLYDE)
-DIA0 (RF73)
DSSI Bus 0 Node 1 (BONNIE)
-DIA1 (RF73)
DSSI Bus 0 Node 5 (TFDR1)
-MIA5 (TF85/TF86)
DSSI Bus 0 Node 6 (*)
DSSI Bus 1 Node 7 (*)
UQSSP Disk Controller 0 (772150)
-DUA20 (RF31)
UQSSP Disk Controller 1 (760334)
-DUB21 (RF31)
UQSSP Disk Controller 2 (760340)
-DUC22 (RF31)
UQSSP Disk Controller 3 (760322)
-DUD23 (RF31)
UQSSP Tape Controller 0 (774500)
-MUA0 (TK70)
SCSI Adaptor 0 (761400), SCSI ID 7
-MKA0 (DEC TLZ04 1991(c)DEC)
Ethernet Adapter
-EZA0 (08-00-2B-06-10-42)
```

```
>>>SHOW DSSI
DSSI Bus 0 Node 0 (CLYDE)
-DIA0 (RF73)
DSSI Bus 0 Node 1 (BONNIE)
-DIA1 (RF73)
DSSI Bus 0 Node 5 (TFDR1)
-MIA5 (TF85/TF86)
DSSI Bus 0 Node 6 (*)
DSSI Bus 1 Node 7 (*)
>>>
```

```
>>>SHOW ETHERNET
Ethernet Adapter
-EZA0 (08-00-2B-0B-29-14)
```

```
>>>SHOW UQSSP
UQSSP Disk Controller 0 (772150)
-DUA20 (RF31)
UQSSP Disk Controller 1 (760334)
-DUB21 (RF31)
UQSSP Disk Controller 2 (760340)
-DUC22 (RF31)
UQSSP Disk Controller 3 (760322)
-DUD23 (RF31)
UQSSP Tape Controller 0 (774500)
-MUA0 (TK70)
```

System Setup and Configuration

3.8 Firmware Commands and Utilities Used in System Configuration

```
>>SHOW QBUS
Scan of Q-bus I/O Space
-20001920 (774440) = FF08 DELQA/DESQA
-20001922 (774442) = FF00
-20001924 (774444) = FF2B
-20001926 (774446) = FF08
-20001928 (774450) = FFD7
-2000192A (774452) = FF41
-2000192C (774454) = 0000
-2000192E (774456) = 1030
-20001F40 (777500) = 0020 IPCR

Scan of Q-bus Memory Space

>>>SHOW SCSI
SCSI Adapter 0 (761300), SCSI ID 7
-MKA500 (DEC TLZ04 1991 (c) DEC)

>>>SHOW MEMORY
Memory 0: 00000000 to 01FFFFFF, 32 Mbytes, 0 bad pages
Total of 32 Mbytes, 0 bad pages, 112 reserved pages
```

3.8.2 Using the CONFIGURE Command to Determine CSR Addresses for Q-Bus Modules

Each Q-bus module in a system must use a unique device address and interrupt vector. The device address is also known as the control and status register (CSR) address. Most modules have switches or jumpers for setting the CSR address values. The value of a floating address depends on what other modules are housed in the system. The CONFIGURE command is used to determine what the proper CSR addresses should be for the given configuration. You can then configure the Q-bus modules according to this information.

Note

These recommended values simplify the use of the MDM diagnostic package and are compatible with OpenVMS device drivers. You can select nonstandard addresses, but they require a special setup for use with OpenVMS drivers and MDM. See the *MicroVAX Diagnostic Monitor User's Guide* for information about the CONNECT and IGNORE commands, which are used to set up MDM for testing nonstandard configurations.

System Setup and Configuration

3.8 Firmware Commands and Utilities Used in System Configuration

Determine CSR address values for a module as follows:

1. Use the SHOW QBUS firmware command to get a listing of the Q-bus modules currently in the system.
2. Determine the correct values for the module using the CONFIGURE firmware command. The CONFIG utility eliminates the need to boot the OpenVMS operating system to determine CSRs and interrupt vectors. Enter the CONFIGURE command, then HELP for the list of supported devices. Enter the device and number of devices for all existing modules in the system, as well as for those devices you are adding.

>>>CONFIGURE

Enter device configuration, HELP, or EXIT

Device, Number? help

Devices:

Devices:

LPV11	KXJ11	DLV11J	DZQ11	DZV11	DFA01
RLV12	TSV05	RXV21	DRV11W	DRV11B	DPV11
DMV11	DELQA	DEQNA	DESQA	RQDX3	KDA50
RRD50	RQC25	KFQSA-DISK	TQK50	TQK70	TU81E
RV20	KFQSA-TAPE	KMV11	IEQ11	DHQ11	DHV11
CXA16	CXB16	CXY08	VCB01	QVSS	LNK11
LNK21	QPSS	DSV11	ADV11C	AAV11C	AXV11C
KWV11C	ADV11D	AAV11D	VCB02	QDSS	DRV11J
DRQ3B	VSV21	IBQ01	IDV11A	IDV11B	IDV11C
IDV11D	IAV11A	IAV11B	MIRA	ADQ32	DTC04
DESNA	IGQ11	DIV32	KIV32	DTCN5	DTC05
KWV32	KZQSA	M7577	LNK24	M7576	DEQRA

Device, Number?

Numbers:

1 to 255, default is 1

Device, Number? cxa16,1

Device, Number? desqa,1

Device, Number? tqk70

Device, Number? qza

Device, Number? kfqsa-disk

Device, Number? exit

Address/Vector Assignments

-774440/120 DESQA

-772150/154 KFQSA-DISK

-774500/260 TQK70

-760440/300 CXA16

-761300/310 KZQSA

System Setup and Configuration

3.8 Firmware Commands and Utilities Used in System Configuration

Note

Of the devices listed in the CONFIG display, not all are supported on the VAX 4000 Model 500A systems. See Section 3.2 for supported options.

The LPV11-SA has two sets of CSR address and interrupt vectors. To determine the correct values for an LPV11-SA, enter LPV11,2 at the DEVICE prompt for one LPV11-SA or enter LPV11,4 for two LPV11-SA modules.

3. See the *Microsystems Options* manual for switch and CSR and interrupt vector jumper settings for supported options.

Note

The CSR address for KFQSA storage adapter is programmed using firmware commands. Refer to the Appendix H for using the SET/HOST/UQSSP/MAINT command to access the Diagnostic Utility Program (DUP) driver utility to configure the CSRs for the KFQSA module.

3.8.3 Setting and Examining Parameters for DSSI Devices

Two types of DSSI storage adapters are available for VAX 4000 systems: an embedded DSSI adapter, which is part of the CPU, and the KFQSA adapter. The KA681/KA691/KA692/KA694 CPU has two embedded DSSI adapters: Bus 0 and Bus 1. The optional KFDDDB DSSI daughter card provides two additional embedded DSSI adapters, Bus 2 and Bus 3.

Each adapter provides a separate DSSI bus that can support up to eight nodes, where the adapter and each DSSI storage devices count as one node, hence each DSSI adapter can support up to seven DSSI storage devices (six DSSI storage devices for a two-system DSSI VAXcluster; five DSSI storage devices for a three-system DSSI VAXcluster configuration). The adapters make a connection between the CPU and the requested device on their respective DSSI bus. Each DSSI device has its own controller and server that contain the intelligence and logic necessary to control data transfers over the DSSI bus.

System Setup and Configuration

3.8 Firmware Commands and Utilities Used in System Configuration

3.8.3.1 DSSI Device Parameters

Six principal parameters are associated with each DSSI device:

- Bus Node ID
- ALLCLASS
- UNITNUM
- FORCEUNI
- NODENAME
- SYSTEMID

Note

Each of these parameters, with the exception of the bus node ID, are programmed and examined using the console-based Diagnostic and Utility Program (DUP) driver utility. The bus node ID is determined by either the bus node ID plug or by programming the ID number using the SET DSSI_ID console command.

A brief description of each parameter follows:

The bus node ID parameter is provided by the bus node ID plug on the device's front panel or by overriding the plug by using the SET DSSI_ID command at the console level. Each DSSI bus can support up to eight nodes, 0–7. Each DSSI adapter and each device count as a node. Hence, in a single-system configuration, a DSSI bus can support up to seven devices, bus nodes 0–6 (with node 7 reserved for the adapter); in a two-system DSSI VAXcluster configuration, up to six devices, 0–5 (with nodes 6 and 7 reserved for the adapters); in a three-system DSSI VAXcluster configuration, up to five devices, 0–4 (with nodes 5, 6, and 7 reserved for the adapters).

The ALLCLASS parameter determines the device allocation class. The allocation class is a numeric value from 0 to 255 that is used by the OpenVMS operating system to derive a path-independent name for multiple access paths to the same device. The ALLCLASS firmware parameter corresponds to the OpenVMS SYSGEN parameter ALLOCLASS.

DSSI devices are shipped from the factory with a default allocation class of zero. **Each device to be served to a cluster must have a nonzero allocation class that matches the allocation class of the system.** Refer to the *OpenVMS VAXcluster* manual for rules on specifying allocation class values.

System Setup and Configuration

3.8 Firmware Commands and Utilities Used in System Configuration

The UNITNUM parameter determines the unit number of the device. By default, the device unit number is supplied by the bus node ID plug on the device's front panel. **Systems with multiple DSSI buses, as described later in this section, require that the default values be replaced with unique unit numbers.** To set unit numbers and override the default values, you use the console-based DUP driver utility to supply values to the UNITNUM parameter and to set a value of zero to device parameter FORCEUNI.

The FORCEUNI parameter controls the use of UNITNUM to override the default device unit number supplied by the bus node ID plug. When FORCEUNI is set to a value of 0, the operating system uses the value assigned to the UNITNUM parameter; when FORCEUNI is set to a value of 1, the operating system uses the value supplied by the bus node ID plug.

The NODENAME parameter allows each device to have an alphanumeric node name of up to eight characters. DSSI devices are shipped from the factory with a unique identifier, such as R7CZZC, R7ALUC, and so on. You can provide your own node name.

The SYSTEMID parameter provides a number that uniquely identifies the device to the operating system. This parameter is modified when replacing a device using warmswapping procedures.

3.8.3.2 How the OpenVMS Operating System Uses the DSSI Device Parameters

This section describes how the operating system uses the parameters to form unique identifiers for each device. Configurations that require you to assign new unit numbers for devices are also described.

With an allocation class of zero, the operating system can use the default parameter values to provide each device with a unique device name. The operating system uses the node name along with the device logical name in the following manner:

```
NODENAME$DIAu
```

where:

NODENAME is a unique node name and *u* is the unit number.

With a nonzero allocation class, the operating system relies on unit number values to create a unique device name. The operating system uses the allocation class along with the device logical name in the following manner:

System Setup and Configuration

3.8 Firmware Commands and Utilities Used in System Configuration

`$ALLCLASS$DIA u`

where:

`ALLCLASS` is the allocation class for the system and devices, and u is a unique unit number.

Using mass storage expanders, you can fill multiple DSSI buses: buses 0 and 1 supplied by the CPU module, and a third and fourth DSSI bus using two KFQSA adapters. Each bus can have up to seven DSSI devices (bus nodes 0–6). When more than one bus is being used, and your system is using a nonzero allocation class, you need to assign new unit numbers for devices on all but one of the DSSI buses, since the unit numbers for all DSSI storage devices connected to a system's associated DSSI buses must be unique.

Figure 3–8 illustrates the need to program unit numbers for a system using more than one DSSI bus and a nonzero allocation class. In the case of the nonzero allocation class, the operating system sees three of the ISEs as having duplicate device names, which is an error, as all unit numbers must be unique.

System Setup and Configuration

3.8 Firmware Commands and Utilities Used in System Configuration

Figure 3–8 OpenVMS Operating System Requires Unique Unit Numbers for DSSI Devices

Allocation Class=0	Nonzero Allocation Class (Example: ALLCLASS=1)
R7BUCC\$DIA0	\$1\$DIA0 ← *Duplicate 0
R7CZZC\$DIA1	\$1\$DIA1 ← *Duplicate 1
R7ALUC\$DIA2	\$1\$DIA2 ← *Duplicate 2
R7EB3C\$DIA3	\$1\$DIA3 ← *Duplicate 3
TFDR1\$MIA5	\$1\$MIA5
R7IDFC\$DIA0	\$1\$DIA0 ← *Duplicate 0
R7IBZC\$DIA1	\$1\$DIA1 ← *Duplicate 1
R7IKJC\$DIA2	\$1\$DIA2 ← *Duplicate 2
R7ID3C\$DIA3	\$1\$DIA3 ← *Duplicate 3
R7XA4C\$DIA4	\$1\$DIA4
R7QIYC\$DIA5	\$1\$DIA5
R7DA4C\$DIA6	\$1\$DIA6

* Nonzero allocation class examples with an asterisk indicate duplicate device names.
For one of the DSSI busses, the unit numbers need to be reprogrammed to avoid this error.

MLO-007176

System Setup and Configuration

3.8 Firmware Commands and Utilities Used in System Configuration

Note

Digital recommends configuring systems to have unique unit numbers even for standalone systems using an allocation class of zero. This practice will avoid problems with duplicate device names if the system is later configured in a cluster.

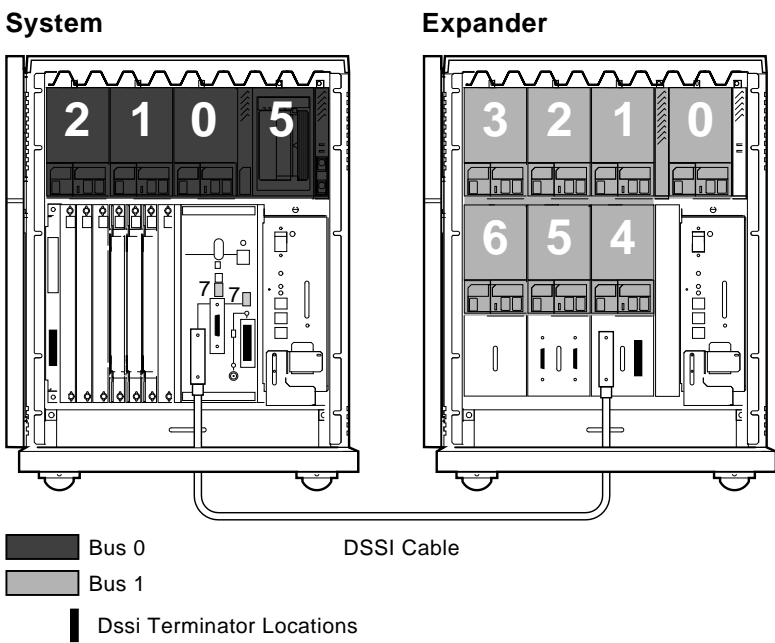
The following instructions describe how to change DSSI parameters, using the DUP driver utility. In the example procedures, the allocation class will be set to 1, the devices for Bus 0 (in the VAX 4000) will be assigned new unit numbers (to avoid the problem of duplicate unit numbers), and the system disk will be assigned a new node name. To examine DSSI parameters from the OpenVMS operating system, refer to Section 3.8.3.4.

Figure 3-9 shows sample DSSI buses and bus node IDs for an expanded VAX 4000 Model 500A system.

System Setup and Configuration

3.8 Firmware Commands and Utilities Used in System Configuration

Figure 3–9 Sample DSSI Buses for an Expanded VAX 4000 Model 500A System



ML0-008628

1. Enter the console mode.

The procedure for programming parameters for DSSI devices from console mode requires that you issue commands to those devices at the console prompt (>>>). You may enter these commands in either uppercase or lowercase letters. Unless otherwise instructed, enter each command, then press Return.

Enter console mode as follows:

- a. Set the Break Enable/Disable switch on the system console module to the enable position (up, position 1).
- b. Set the Power switch for each unit (each system in a DSSI VAXcluster configuration, and any expanders for expanded systems) to on (1).

Wait for the system to display the console prompt (>>>).

2. To display the DSSI devices on embedded DSSI buses, enter `SHOW DSSI` at the console prompt. To display the DSSI devices on KFQSA-based DSSI buses, enter `SHOW UQSSP`.

System Setup and Configuration

3.8 Firmware Commands and Utilities Used in System Configuration

The firmware displays two lines of information for each device. For embedded DSSI, the firmware displays the following:

- The first line contains the bus number, node number, and node name.
- The second line contains the device name and unit number followed by the device type in parentheses.

For embedded DSSI, the device name consists of the letters *DIAu* or *DIBu* (*MIAu* or *MIBu* for the TF85/TF86 tape drive)—devices on bus 0 are listed as *DIA*, devices on bus 1 are listed as *DIB*—and *u* is a unique unit number. The embedded DSSI adapter for each bus is identified by an asterisk (*).

The embedded DSSI display for Example 3–1 shows a system with four DSSI devices (unit numbers 0–3) and an R400X expander with seven DSSI devices (unit numbers 0–6).

Example 3–1 SHOW DSSI Display (Embedded DSSI)

```
>>>SHOW DSSI
DSSI Bus 0 Node 0 (R7ALUC)
-DIA0 (RF31)
DSSI Bus 0 Node 1 (R7EB3C)
-DIA1 (RF31)
DSSI Bus 0 Node 2 (R7EB22)
-DIA2 (RF31)
DSSI Bus 0 Node 5 (TFDR1)
-MIA5 (TF85/TF86)
DSSI Bus 0 Node 6 (*)

DSSI Bus 1 Node 0 (SNEEZY)
-DIB0 (RF31)
DSSI Bus 1 Node 1 (DOPEY)
-DIB1 (RF31)
DSSI Bus 1 Node 7 (*)

DSSI Bus 2 Node 0 (SLEEPY)
-DIC0 (RF31)
DSSI Bus 2 Node 1 (GRUMPY)
-DIC1 (RF31)
DSSI Bus 2 Node 7 (*)

DSSI Bus 3 Node 0 (BASHFUL)
-DID0 (RF31)
DSSI Bus 3 Node 1 (DOC)
-DID1 (RF31)
DSSI Bus 3 Node 7 (*)
>>>
```

System Setup and Configuration

3.8 Firmware Commands and Utilities Used in System Configuration

For KFQSA-based DSSI, the firmware displays the following:

- The first line contains the UQSSP disk controller number and device node name.
- The second line contains the device name and unit number followed by the device type in parentheses.

For KFQSA-based DSSI, the device name consists of the letters *DUcu*, where *c* is the controller letter, and *u* is a unique unit number.

Example 3–2 shows a sample KFQSA-based DSSI bus.

Example 3–2 SHOW UQSSP Display (KFQSA-Based DSSI)

```
>>>SHOW UQSSP
UQSSP Disk Controller 0 (772150)
-DUA0 (RF31)
UQSSP Disk Controller 1 (760334)
-DUB1 (RF31)
UQSSP Disk Controller 2 (760340)
-DUC2 (RF31)
UQSSP Disk Controller 3 (760322)
-DUD3 (RF31)
UQSSP Tape Controller 0 (774500)
-MUA0 (TK70)
```

For the examples in this section, each device will be assigned an allocation class of 1, and the system disk will be given a new node name. Also, devices DIA0, DIA1, and DIA2; and DUA0, DUB1, DUC2, and DUD3 will be assigned new unit numbers.

Note

The DUP server examples throughout this section are for RF-series ISEs. The displays for the TF85/TF86 tape drive differ slightly from the RF-series displays.

3.8.3.3 Entering the DUP Driver Utility from Console Mode

To examine and change DSSI parameters, you must first activate the DUP driver utility by setting host to the specific device for which you want to modify or examine parameters.

System Setup and Configuration

3.8 Firmware Commands and Utilities Used in System Configuration

Use the following command for embedded DSSI:

```
SET HOST/DUP/DSSI/BUS:<bus_number> <node_number> PARAMS
```

where:

<bus_number> is the DSSI bus number (0 or 1), and <node_number> is the bus node ID (0–6) for the device on the bus.

Use the following command for KFQSA-based DSSI:

```
SET HOST/DUP/UQSSP/DISK <controller_number> PARAMS
```

where:

<controller_number> is the controller number (provided by the SHOW UQSSP display) for the device on the bus.

In Example 3–3, SET HOST/DUP/DSSI/BUS:1 0 PARAMS is entered to start the DUP server for the ISE at node 0 of embedded DSSI bus 1. In Example 3–4, SET HOST/DUP/UQSSP/DISK 0 PARAMS is entered to start the DUP server for the ISE at controller 0 of a KFQSA-based DSSI bus.

Example 3–3 Accessing the DUP Driver Utility from Console Mode (Embedded DSSI)

```
>>>SET HOST/DUP/DSSI/BUS:1 0 PARAMS
Starting DUP server...
Copyright (c) 1991 Digital Equipment Corporation
PARAMS>
```

Example 3–4 Accessing the DUP Driver Utility from Console Mode (KFQSA-Based DSSI)

```
>>>SET HOST/DUP/UQSSP/DISK 0 PARAMS
Starting DUP server...
Copyright (c) 1991 Digital Equipment Corporation
PARAMS>
```

System Setup and Configuration

3.8 Firmware Commands and Utilities Used in System Configuration

3.8.3.4 Entering the DUP Driver Utility from the OpenVMS Operating System

To examine and change DSSI parameters, you must first access the DUP driver utility by setting host to the specific device for which you want to modify or examine parameters.

To access the DUP driver from the OpenVMS operating system:

- a. Connect to the Diagnostic and Utility Program (DUP) and load its driver using the OpenVMS System Generation Utility (SYSGEN) as shown below:

```
$ MCR SYSGEN
SYSGEN> CONNECT/NOADAPTER FYA0
SYSGEN> EXIT
$
```

- b. Access the DUP driver by setting host to the specific device you want to write protect. Use the following command:

```
SET HOST/DUP/SERVER=MSCP$DUP/TASK=PARAMS <node_name>
```

where:

<node_name> is the device node name (the node name, in parentheses, is listed using the OpenVMS DCL command SHOW DEVICE DI).

In Example 3-5, SET HOST/DUP/SERVER=MSCP\$DUP/TASK=PARAMS R35F3C is entered to start the DUP server for the ISE with a nodename of R35F3C.

Example 3-5 Accessing the DUP Driver Utility from the OpenVMS Operating System

```
$ MCR SYSGEN
SYSGEN> CONNECT/NOADAPTER FYA0
SYSGEN> EXIT
$ SET HOST/DUP/SERVER=MSCP$DUP/TASK=PARAMS R35F3C
Starting DUP server...
Copyright (c) 1992 Digital Equipment Corporation
PARAMS>
```

System Setup and Configuration

3.8 Firmware Commands and Utilities Used in System Configuration

3.8.3.5 Setting Allocation Class

After entering the DUP driver utility for a specified device, you can examine and set the allocation class for the device as follows:

Note

The ALLCLASS parameter should only be set through console mode. Setting the ALLCLASS parameter from the OpenVMS operating system is not recommended.

1. At the PARAMS> prompt, enter SHOW ALLCLASS to check the allocation class of the ISE to which you are currently connected.
2. Enter SET ALLCLASS 1 (or enter the allocation class you desire).
3. Enter SHOW ALLCLASS to verify the new allocation class.

Example 3–6 shows the steps for examining and changing the allocation class for a specified device. In the example, the allocation class is changed from an allocation class of 0 to an allocation class of 1.

Example 3–6 Setting Allocation Class for a Specified Device

```
PARAMS>SHOW ALLCLASS
Parameter      Current      Default      Type      Radix
-----
ALLCLASS      0              0           Byte     Dec     B

PARAMS>SET ALLCLASS 1
PARAMS>SHOW ALLCLASS
Parameter      Current      Default      Type      Radix
-----
ALLCLASS      1              0           Byte     Dec     B
```

3.8.3.6 Setting Unit Number

After entering the DUP driver utility for a specified device, you can examine and set the unit number for the device as follows:

1. At the PARAMS> prompt, enter SHOW UNITNUM to check the unit number of the ISE to which you are currently connected.
2. Enter SET UNITNUM 10 (or enter the unit number you desire).

System Setup and Configuration

3.8 Firmware Commands and Utilities Used in System Configuration

3. Enter `SET FORCEUNI 0` to override the default unit number value supplied by the bus node ID plug.
4. Enter `SHOW UNITNUM` to verify the new unit number.
5. Enter `SHOW FORCEUNI` to verify that the current value for the `FORCEUNI` parameter is 0.

Example 3–7 shows the steps for changing the unit number of a specified device from unit number 0 to unit number 10.

6. Label the device with its unit number, using the unit number labels shipped with your system. Figure 3–10 shows where to affix a unit number label on the device front panel.

Example 3–7 Setting a Unit Number for a Specified Device

```
PARAMS>SHOW UNITNUM
Parameter      Current      Default      Type      Radix
-----
UNITNUM        0            0            Word      Dec      U

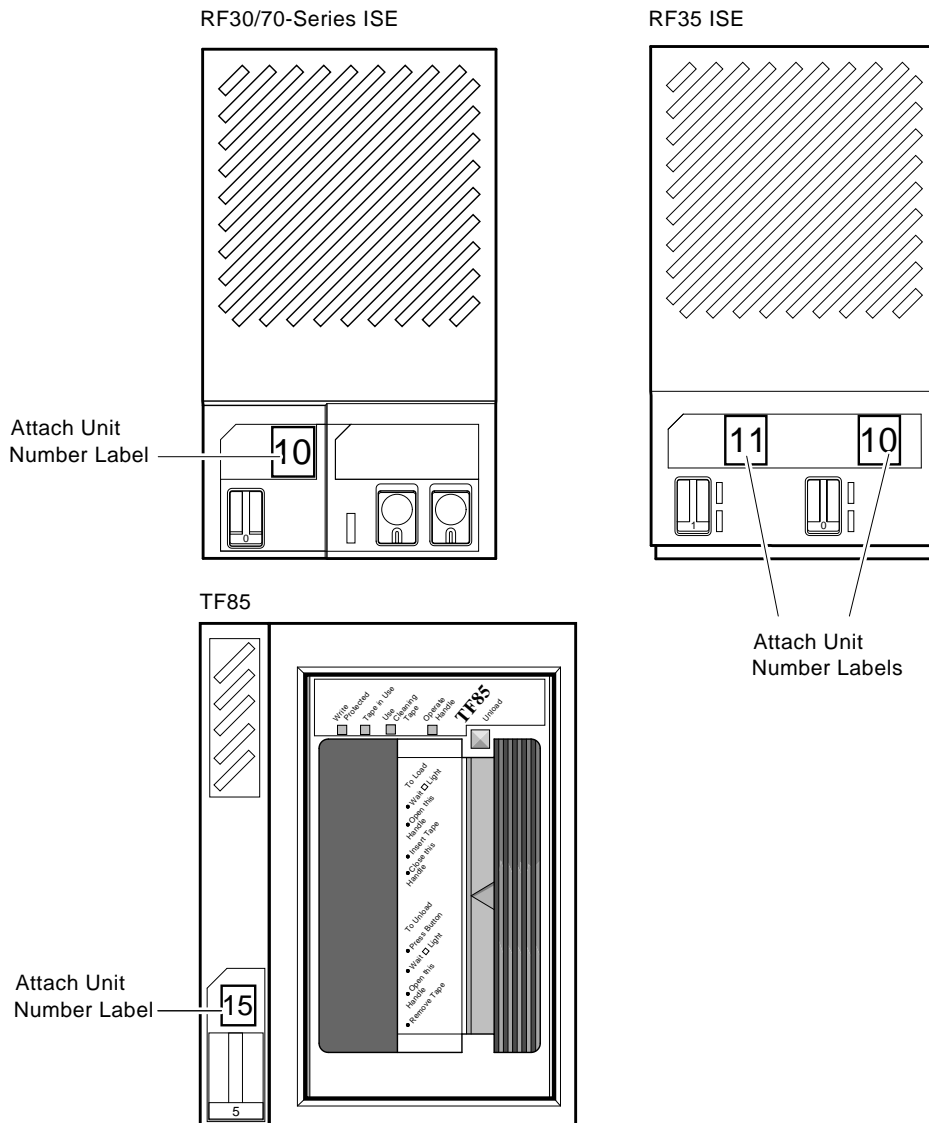
PARAMS>SET UNITNUM 10
PARAMS>SET FORCEUNI 0
PARAMS>SHOW UNITNUM
Parameter      Current      Default      Type      Radix
-----
UNITNUM        10           0            Word      Dec      U

PARAMS>SHOW FORCEUNI
Parameter      Current      Default      Type      Radix
-----
FORCEUNI       0            1            Boolean   0/1      U
```

System Setup and Configuration

3.8 Firmware Commands and Utilities Used in System Configuration

Figure 3–10 Attaching a MSCP Unit Number Label to the Device Front Panel



MLO-007178

System Setup and Configuration

3.8 Firmware Commands and Utilities Used in System Configuration

3.8.3.7 Setting Node Name

After entering the DUP driver utility for a specified device, you can examine and set the node name for the device as follows:

1. At the `PARAMS>` prompt, enter `SHOW NODENAME` to check the node name of the ISE to which you are currently connected.
2. Enter `SET NODENAME SYSDSK` (or enter the desired alphanumeric node name of up to eight characters).
3. Enter `SHOW NODENAME` to verify the new node name.

Example 3–8 shows the steps for changing the node name of a specified device from the factory-supplied name to `SYSDSK`.

Example 3–8 Changing a Node Name for a Specified Device

```
PARAMS>SHOW NODENAME
Parameter      Current      Default      Type      Radix
-----
NODENAME       R7CZZC      RF31         String    Ascii     B

PARAMS>SET NODENAME SYSDSK

PARAMS>SHOW NODENAME
Parameter      Current      Default      Type      Radix
-----
NODENAME       SYSDSK      RF31         String    Ascii     B
```

3.8.3.8 Setting System ID

Note

This parameter is modified only when warm swapping a device. All parameters for the replacement device should be programmed to match those of the original device. Refer to the *DSSI Warm Swapping Guide for BA400-Series Enclosures and KFQSA Adapters*.

After entering the DUP driver utility for a specified device, you can examine and set the system ID for the device as follows:

1. At the `PARAMS>` prompt, enter `SHOW SYSTEMID` to check the system ID of the device to which you are currently connected.

System Setup and Configuration

3.8 Firmware Commands and Utilities Used in System Configuration

2. Enter `SET SYSTEMID System ID` (enter the desired serial number-based system ID).
3. Enter `SHOW SYSTEMID` to verify the new system ID.

Example 3–9 shows the steps for changing the system ID of a specified device from the factory-supplied system ID to 1402193310841 (the system ID for the replacement device is programmed to match that of the original).

Example 3–9 Changing a System ID for a Specified Device

```
PARAMS>SHOW SYSTEMID
Parameter      Current          Default          Type      Radix
-----
SYSTEMID       0402193310841   00000000000000  Quadword  Hex   B

PARAMS>SET SYSTEMID 1402193310841

PARAMS>SHOW SYSTEMID
Parameter      Current          Default          Type      Radix
-----
SYSTEMID       1402193310841   00000000000000  Quadword  Hex   B
```

3.8.3.9 Exiting the DUP Driver Utility

After you have completed setting and examining DSSI device parameters, enter the `WRITE` command at the `PARAMS>` prompt to save the device parameters you have changed using the `SET` command. The changes are recorded to nonvolatile memory.

If you have changed the allocation class or node name of a device, the DUP driver utility will ask you to initialize the controller. Answer Yes (Y) to allow the changes to be recorded and to exit the DUP driver utility.

If you have not changed the allocation class or node name, enter the `EXIT` command at the `PARAMS>` prompt to exit the DUP driver utility for the specified device. Example 3–10 shows the procedure for saving parameter changes. In the example, the controller is initialized.

System Setup and Configuration

3.8 Firmware Commands and Utilities Used in System Configuration

Example 3–10 Exiting the DUP Driver Utility for a Specified Device

```
PARAMS>WRITE
Changes require controller initialization, ok? [Y/(N)] Y
Stopping DUP server...
>>>
```

Note

You must repeat the procedures in this section for each device for which you want to change parameters.

Example 3–11 shows the DSSI buses for the embedded DSSI adapters after the unit numbers for the disk devices on bus 0 have been changed from 0, 1, and 2 to 10, 11, and 12 (by adding 10 to the bus node ID number, the unit number's least significant digit will still correspond to the number on the bus node ID plug). Note that the bus 0 device names are now DIA10, DIA11, and DIA12.

System Setup and Configuration

3.8 Firmware Commands and Utilities Used in System Configuration

Example 3–11 SHOW DSSI Display

```
>>>SHOW DSSI
DSSI Bus 0 Node 0 (SYSDSK)
-DIA10 (RF31)
DSSI Bus 0 Node 1 (R7EB3C)
-DIA11 (RF31)
DSSI Bus 0 Node 2 (R7EB22)
-DIA12 (RF31)
DSSI Bus 0 Node 5 (TFDR1)
-MIA5 (TF85/TF86)
DSSI Bus 0 Node 6 (*)

DSSI Bus 1 Node 0 (SNEEZY)
-DIB0 (RF31)
DSSI Bus 1 Node 1 (DOPEY)
-DIB1 (RF31)
DSSI Bus 1 Node 2 (SLEEPY)
-DIB2 (RF31)
DSSI Bus 1 Node 3 (GRUMPY)
-DIB3 (RF31)
DSSI Bus 1 Node 4 (BASHFUL)
-DIB4 (RF31)
DSSI Bus 1 Node 5 (HAPPY)
-DIB5 (RF31)
DSSI Bus 1 Node 6 (DOC)
-DIB6 (RF31)
DSSI Bus 1 Node 7 (*)
>>>
```

Example 3–12 shows the sample KFQSA-based DSSI bus after the unit numbers have been changed from 0, 1, 2, and 3 to 20, 21, 22, and 23. Note that the device names are now DUA20, DUB21, DUC22, and DUD23.

System Setup and Configuration

3.8 Firmware Commands and Utilities Used in System Configuration

Example 3–12 SHOW UQSSP Display (KFQSA-Based DSSI)

```
>>>SHOW UQSSP
UQSSP Disk Controller 0 (772150)
-DUA20 (RF31)
UQSSP Disk Controller 1 (760334)
-DUB21 (RF31)
UQSSP Disk Controller 2 (760340)
-DUC22 (RF31)
UQSSP Disk Controller 3 (760322)
-DUD23 (RF31)
UQSSP Tape Controller 0 (774500)
-MUA0 (TK70)
```

3.8.4 Write-Protecting an EF/RF ISE

You may want to write-protect an ISE containing sensitive data you do not want changed or accidentally erased.

The system disk (the ISE containing system software) and ISEs containing work areas for users should be write-enabled, the normal operating setting.

For the EF/RF ISE, which has no Write-Protect button, you set write-protection through OpenVMS commands or through firmware commands in console mode.

3.8.4.1 Software Write-Protect for EF/RF-Series ISEs

Since the EF/RF does not have a Write-Protect button, the software write-protect is the primary method for write-protecting an EF/RF.

The software write-protect is available through the OpenVMS operating system using the MOUNT utility with the /NOWRITE qualifier.

To software write-protect an ISE, enter the following DCL command from the OpenVMS operating system.

```
MOUNT <device_name> <volume_label>/SYSTEM/NOWRITE
```

where:

<device_name> is the device name, as shown using the OpenVMS DCL command SHOW DEVICE DI, and <volume_label> is the volume label for the device. For example,

```
$ MOUNT $1$DIA1 OMEGA/SYSTEM/NOWRITE
```

will software write-protect device \$1\$DIA1.

Dismounting, and then remounting the device (without using the /NOWRITE qualifier), will write-enable the device.

System Setup and Configuration

3.8 Firmware Commands and Utilities Used in System Configuration

Use the OpenVMS DCL command `SHOW DEVICE DI` to check the protection status of the drive. A write-protected drive will show a device status of “Mounted wrtlck”. Refer to your OpenVMS documentation for more information on using the MOUNT Utility.

Caution

When you dismount then mount the device again, it will no longer be write-protected.

3.8.4.2 Hardware Write-Protect for EF/RF ISEs

The hardware write-protect provides a more permanent write-protection than the software write-protect in that, once you hardware write-protect an EF/RF, it remains write-protected, regardless of the availability of the operating system or if the system is powered-down. In addition, a hardware write-protect cannot be removed using the MOUNT command. The hardware write-protect simply provides the same degree of write-protection available to EF/RF-series ISEs that have a Write-Protect button.

You should consider hardware write-protecting an EF/RF in the following situations:

- If you want to write-protect an EF/RF ISE when the OpenVMS operating system is not available, such as before running the MicroVAX Diagnostic Monitor (MDM).
- If you want to ensure that an EF/RF remains write-protected, since the hardware write-protect cannot be removed using the OpenVMS command MOUNT and will remain in effect even if the operating system is brought down.

You can hardware write-protect an EF/RF from the OpenVMS operating system or through firmware commands entered at the console prompt (`>>>`). Use the following instructions:

1. Access the Diagnostic and Utility Program (DUP) driver for the device you want to write-protect.
 - To access the DUP driver from console mode:
 - a. Enter console mode by pressing the Halt Button or powering up the system with the Break Enable/Disable switch set to enable (up, position 1).

System Setup and Configuration

3.8 Firmware Commands and Utilities Used in System Configuration

Caution

Halting your system without following the shutdown procedure described in your system software manuals may result in loss of data.

- b. Access the DUP driver by setting host to the specific device you want to write protect.

Use the following command for embedded DSSI:

```
SET HOST/DUP/DSSI/BUS:<bus_number> <node_number> PARAMS
```

where:

<bus_number> is the DSSI bus number (0 or 1), and <node_number> is the bus node ID (0–6) for the device on the bus (bus number and node number are listed in the SHOW DSSI display).

Use the following command for KFQSA-based DSSI:

```
SET HOST/DUP/UQSSP/DISK <controller_number> PARAMS
```

where:

<controller_number> is the controller number (listed in the SHOW UQSSP display) for the device on the bus.

- To access the DUP driver from the OpenVMS operating system:
 - a. Connect to the Diagnostic and Utility Program (DUP) and load its driver using the OpenVMS System Generation Utility (SYSGEN) as shown below:

```
$ MCR SYSGEN
SYSGEN> CONNECT/NOADAPTER FYA0
SYSGEN> EXIT
$
```

- b. Access the DUP driver by setting host to the specific device you want to write protect. Use the following command:

```
SET HOST/DUP/SERVER=MSCP$DUP/TASK=PARAMS <node_name>
```

where:

<node_name> is the device node name (the node name, in parentheses, is listed in the SHOW DEVICE DI display).

2. At the PARAMS> prompt, enter SET WRT_PROT 1 to write-protect the ISE to which you are currently connected.

System Setup and Configuration

3.8 Firmware Commands and Utilities Used in System Configuration

Note

To verify that you have set host to the intended drive, you can enter the command LOCATE at the PARAMS> prompt. The LOCATE command causes the drive's Fault indicator to blink momentarily.

3. Enter SHOW WRT_PROT to verify that the WRT_PROT parameter is set to 1.
4. After you have completed setting and examining the WRT_PROT device parameter, enter the WRITE command at the PARAMS> prompt to save the device parameter. The change is recorded to nonvolatile memory.
5. Enter the EXIT command at the PARAMS> prompt to exit the DUP driver utility for the specified device.

Example 3–13 provides an example of setting a hardware write-protect through firmware; Example 3–14 provides an example of setting a hardware write-protect through the OpenVMS operating system.

Example 3–13 Setting Hardware Write-Protection Through Firmware

```
>>>SET HOST/DUP/DSSI/BUS:0 1 PARAMS
Starting DUP server...
Copyright (c) 1992 Digital Equipment Corporation
PARAMS>SET WRT_PROT 1
PARAMS>WRITE
PARAMS>SHOW WRT_PROT
Parameter      Current      Default      Type      Radix
-----
WRT_PROT              1              0      Boolean    0/1
PARAMS>EXIT
Exiting...
Stopping DUP server...
>>>
```

System Setup and Configuration

3.8 Firmware Commands and Utilities Used in System Configuration

Example 3–14 Setting Hardware Write-Protection Through the OpenVMS Operating System

```
$ MCR SYSGEN
SYSGEN> CONNECT/NOADAPTER FYA0
SYSGEN> EXIT
$ SET HOST/DUP/SERVER=MSCP$DUP/TASK=PARAMS R35F3C
Starting DUP server...
Copyright (c) 1992 Digital Equipment Corporation
PARAMS>SET WRT_PROT 1
PARAMS>WRITE
PARAMS>SHOW WRT_PROT
Parameter      Current      Default      Type      Radix
-----
WRT_PROT              1              0    Boolean    0/1
PARAMS>EXIT
Exiting...
Stopping DUP server...
$
```

To remove the hardware write-protection, repeat the above procedure, only set the WRT_PROT value to 0.

You can verify that the device is write-protected while running the OpenVMS operating system—when you issue the OpenVMS DCL command SHOW DEVICE DI, a write-protected drive will show a device status of “Mounted wrtlck”. If you issue the OpenVMS command SHOW DEVICE/FULL, a write-protected drive will be listed as “software write-locked”.

Note

You cannot remove hardware write-protection using the OpenVMS MOUNT utility.

System Setup and Configuration

3.8 Firmware Commands and Utilities Used in System Configuration

3.8.5 Setting System Parameters: Boot Defaults, Bootflags, Halt and Restart Action

Several firmware commands are used to set and examine system parameters.

3.8.5.1 Setting the Boot Default

To direct the system to boot automatically from a specific device or to change the setting of the default boot device, put the system into console mode and at the >>> prompt, enter “SET BOOT *device-name*”. For example,

```
>>>SET BOOT EZA0
```

sets the system default boot device to be the Ethernet controller.

Once you have selected a boot device, the system autoboots from that device each time you turn it on (provided the Break Enable/Disable switch is set to disable or that a halt action of REBOOT or RESTART_REBOOT has been defined).

Using “SET BOOT *device-name,device-name,device-name*”, you can also specify a string of default boot devices (up to 32 characters, with devices separated by commas and no spaces) for which the system will check for bootable software. The system checks the devices in the order specified and boots from the first one that contains bootable software. For example,

```
>>>SET BOOT DUA0 ,DIA0 ,MIA5 ,EZA0
```

directs the system to use DUA0, DIA0, MIA5, and EZA0 as the default boot devices. When the system autoboots, or if the BOOT command is used without specifying a device, the system will boot from the first default boot device that contains bootable software.

Note

If included in a string of boot devices, the Ethernet device, EZA0, should only be placed as the last device of the string. The system will continuously attempt to boot from EZA0.

Refer to Appendix A for examples.

System Setup and Configuration

3.8 Firmware Commands and Utilities Used in System Configuration

Supported Boot Devices

Table 3–3 lists the boot devices supported by the CPU. The table correlates the boot device names expected in a BOOT command with the corresponding supported devices. The device name used for the bootstrap operation is one of three:

- EZA0, if no default boot device has been specified
- The default boot device specified at initial power-up or through SET BOOT
- Name explicitly specified in a BOOT command line

Boot device names consist of a device code of at least two letters (A through Z) in length, followed by a single-character controller letter (A through Z), and ending in a device unit number (0 through 16,383).

Table 3–3 Boot Devices Supported by the KA681/KA691/KA692/KA694

Boot Name	Controller Type	Device Type(s)
Disk		
[node\$]DI _{mu}	On-board DSSI	RF _{xx}
DU _{cu}	KFQSA DSSI	RF _{xx}
	KDA50 MSCP	RA _{xx}
	RDX3 MSCP	RD _{xx}
Compact Disc		
[node\$]DKA _u	KZQSA SCSI	RRD4 _x
DU _{cu}	KRQ50 MSCP	RRD40
Tape		
[node\$]MI _{mu}	On-board DSSI	TF85/TF86
MU _{cu}	TQK50 MSCP	TK50
	TQK70 MSCP	TK70
	KLESI	TU81E
MKA _u	KZQSA SCSI	TLZ04

(continued on next page)

System Setup and Configuration
3.8 Firmware Commands and Utilities Used in System Configuration

Table 3–3 (Cont.) Boot Devices Supported by the KA681/KA691/KA692/KA694

Boot Name	Controller Type	Device Type(s)
Network		
EZA0	On-board Ethernet	–
XQcu	DESQA	–
PROM		
PRAu	MRV11	–
PRB0	Customer EPROM space	–

Note

For diskless and tapeless systems that boot software over the network, select only the Ethernet adapter. All other boot devices are inappropriate.

3.8.5.2 Setting Boot Flags

The Virtual Memory Boot (VMB) action is qualified by the value passed to it in R5. R5 contains boot flags that specify conditions of the bootstrap. The firmware passes to VMB either the R5 value specified in the BOOT command or the default boot flag value specified with a SET BFLG command. The VMB boot flags are listed in Table 3–4.

Refer to Appendix A for examples.

Table 3–4 Virtual Memory Bootstrap (VMB) Boot Flags

Bit	Name	Description
0	RPB\$V_CONV	Conversational boot. At various points in the system boot procedure, the bootstrap code solicits parameters and other input from the console terminal.
1	RPB\$V_DEBUG	Debug. If this flag is set, the OpenVMS operating system maps the code for the XDELTA debugger into the system page tables of the running system.

(continued on next page)

System Setup and Configuration

3.8 Firmware Commands and Utilities Used in System Configuration

Table 3–4 (Cont.) Virtual Memory Bootstrap (VMB) Boot Flags

Bit	Name	Description
2	RPB\$V_INIBPT	Initial breakpoint. If RPB\$V_DEBUG is set, the OpenVMS operating system executes a BPT instruction in module INIT immediately after enabling mapping.
3	RPB\$V_BBLOCK	Secondary bootstrap from bootblock. When set, VMB reads logical block number 0 of the boot device and tests it for conformance with the bootblock format. If in conformance, the block is executed to continue the bootstrap. No attempt is made to perform a Files–11 bootstrap.
4	RPB\$V_DIAG	Diagnostic bootstrap. When set, the load image requested is [SYS0.SYSMAINT]DIAGBOOT.EXE.
5	RPB\$V_BOOBPT	Bootstrap breakpoint. When set, a breakpoint instruction is executed in VMB and control is transferred to XDELTA before booting.
6	RPB\$V_HEADER	Image header. When set, VMB transfers control to the address specified by the file's image header. When not set, VMB transfers control to the first location of the load image.
8	RPB\$V_SOLICT	File name solicit. When set, VMB prompts the operator for the name of the application image file. A maximum 39 character file specification is allocated at RPB\$T_FILE. Only 16 characters are utilized in both tape boot and network MOP V3 booting.
9	RPB\$V_HALT	Halt before transfer. When set, VMB halts before transferring control to the application image.
31:28	RPB\$V_TOPSYS	This field can be any value from 0 through F. This flag changes the top-level directory name for system disks with multiple operating systems. For example, if TOPSYS is 1, the top-level directory name is [SYS1...]. This does not apply to network bootstraps.

3.8.5.3 Setting the Halt Action

The user-defined halt action feature allows users to determine what action should be taken on error halts and at power-up. The halt action is defined using the SET HALT command and overrides the setting of the Break Enable /Disable switch.

Table 3–5 summarizes the action taken on all halt conditions (excluding external halts). The user-defined halt is used when the O/S Mailbox halt action field is 0 and on power-up if breaks are enabled. Refer to Appendix A for an example of the SET HALT command.

System Setup and Configuration

3.8 Firmware Commands and Utilities Used in System Configuration

For external halts caused by pressing the Halt button on the SCP or pressing **BREAK**/CTRL-P (if breaks are enabled), the firmware enters console mode.

Note

Using the console command **SET CONTROLP**, you can specify the control character, **Ctrl/P**, rather than **Break** to initiate a break signal.

Table 3–5 Actions Taken on a Halt

Reset/ Power- Up or Halt	Break Enable Switch	User- Defined Halt Action	O/S Mailbox Halt Action	Action(s)
T	1	0,1,3	x	Run diagnostics; return to console mode
T	1	2,4	x	Run diagnostics; if run is successful = boot; if run and boot fail, return to console mode
T	0	x	x	Run diagnostics; if run is successful = boot; if run and boot fail, return to console mode
F	1	0	0	Console mode
F	0	0	0	Restart system; if restart fails, boot system; if boot fails, return to console mode
F	x	1	0	Restart system; if restart fails, return to console mode
F	x	2	0	Boot system; if boot fails, return to console mode
F	x	3	0	Console mode
F	x	4	0	Restart system; if restart fails, boot system; if boot fails, return to console mode
F	x	x	1	Restart system; if restart fails, return to console mode

(continued on next page)

System Setup and Configuration

3.8 Firmware Commands and Utilities Used in System Configuration

Table 3–5 (Cont.) Actions Taken on a Halt

Reset/ Power- Up or Halt	Break Enable Switch	User- Defined Halt Action	O/S Mailbox Halt Action	Action(s)
F	x	x	2	Boot system; if boot fails, return to console mode
F	x	x	3	Console mode

"T" indicates that the condition is true.

"F" indicates that the condition is false.

"X" indicates that the condition is "don't care".

Halt Action 0 = DEFAULT

Halt Action 1 = RESTART

Halt Action 2 = REBOOT

Halt Action 3 = HALT

Halt Action 4 = RESTART_REBOOT

4

System Initialization and Acceptance Testing (Normal Operation)

This chapter describes the system initialization, testing, and bootstrap processes that occur at power-up. In addition, the acceptance test procedure to be performed when installing a system or whenever adding or replacing FRUs is described.

4.1 Basic Initialization Flow

On power-up, the firmware identifies the console device, optionally performs a language inquiry, and runs the diagnostics.

Power-up actions differ, depending on the state of the Power-Up Mode switch on the console module. The mode switch has three settings: loopback test, language inquiry, and run. The differences are described below.

The firmware waits for power to stabilize by monitoring SCR<15>(POK). Once power is stable, the firmware verifies that the console battery backup RAM (BBU RAM) is valid (backup battery is charged) by checking SSCCR<31>(BLO). If it is invalid or zero (battery is discharged), BBU RAM is initialized.

After the battery check, the firmware tries to determine the type of terminal attached to the console serial line. It uses this information to determine if multinational support is appropriate.

Power-Up Mode Switch Set to Test

Use the test position on the H3604 to verify a proper connection between the CPU and the console terminal. During the test, the firmware toggles between the active and passive states. Refer to Chapter 5 for instructions on performing loopback tests.

System Initialization and Acceptance Testing (Normal Operation)

4.1 Basic Initialization Flow

Power-Up Mode Switch Set to Language Inquiry

If the Power-Up Mode switch is set to language inquiry mode, or the firmware detects that the contents of BBU RAM are invalid, the firmware prompts you for the language to be used for displaying the following system messages (if the console terminal supports the multinational character set).

```
Loading system software.  
Failure.  
Restarting system software.  
Performing normal system tests.  
Tests completed.  
Normal operation not possible.  
Bootfile.  
Memory configuration error.  
No default boot device has been specified.  
Available devices.  
Device?  
Retrying network bootstrap.
```

The language selection menu appears under the conditions listed in Table 4–1. The position of the Break Enable/Disable switch has no effect on these conditions. The firmware will not prompt for a language if the console terminal, such as the VT100, does not support the multinational character set (MCS).

Table 4–1 Language Inquiry on Power-Up or Reset

Mode	Language Not Previously Set ¹	Language Previously Set
Language Inquiry	Prompt ²	Prompt
Run	Prompt	No Prompt

¹Action if contents of BBU RAM invalid same as Language Not Previously Set.

²Prompt = Language selection menu displayed.

The language selection menu is shown in Example 4–1. If no response is received within 30 seconds, the firmware defaults to English (5).

System Initialization and Acceptance Testing (Normal Operation)

4.1 Basic Initialization Flow

Example 4–1 Language Selection Menu

KA6nn-A Vn.n VMB n.n

- 1) Dansk
 - 2) Deutsch (Deutschland/Österreich)
 - 3) Deutsch (Schweiz)
 - 4) English (United Kingdom)
 - 5) English (United States/Canada)
 - 6) Español
 - 7) Français (Canada)
 - 8) Français (France/Belgique)
 - 9) Français (Suisse)
 - 10) Italiano
 - 11) Nederlands
 - 12) Norsk
 - 13) Português
 - 14) Suomi
 - 15) Svenska
- (1..15):

Note

The information contained within the parentheses indicates the specific keyboard variant.

In addition, the console may prompt you for a default boot device following a successful diagnostic countdown.

After the language inquiry, the firmware continues as if on a normal power-up.

Power-Up Mode Switch Set to Run

The console displays the language selection menu if the Power-Up Mode switch is set to run mode and the contents of BBU RAM are invalid or a language has not yet been selected. The next step in the power-up sequence is to execute the bulk of ROM-based diagnostics. In addition to message text, a countdown is displayed in Example 4–2.

System Initialization and Acceptance Testing (Normal Operation)

4.1 Basic Initialization Flow

Example 4–2 Normal Diagnostic Countdown

```
KA6nn-A Vn.n VMB n.n
```

```
Performing normal system tests.
```

```
66..65..64..63..62..61..60..59..58..57..56..55..54..53..52..51..
```

```
50..49..48..47..46..45..44..43..42..41..40..39..38..37..36..35..
```

```
34..33..32..31..30..29..28..27..26..25..24..23..22..21..20..19..
```

```
18..17..16..15..14..13..12..11..10..09..08..07..06..05..04..03..
```

```
Tests completed.
```

The console uses the saved console language if the mode switch is set to run mode and the contents of BBU RAM are valid.

4.2 Power-On Self-Tests (POST)

Power-on self-tests provide core testing of the system kernel. The CPU, memory, DSSI bus, and Q-bus are tested, certain registers are flushed, and data structures are set up to initialize and set the system to a known state for the operating system.

4.2.1 Power-Up Tests for Kernel

In a nonmanufacturing environment where the intended console device is the serial line unit (SLU), the console program performs the following actions at power-up:

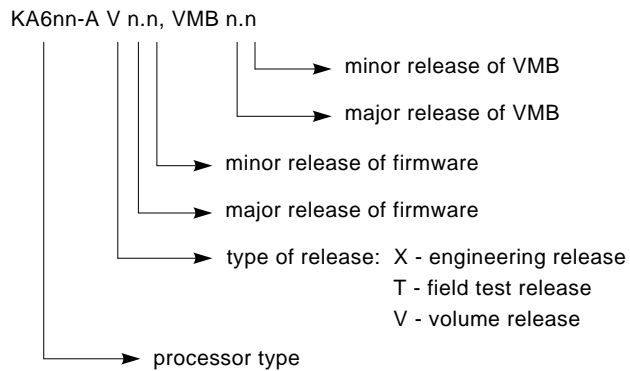
1. Checks for POK.
2. Establishes SLU as console device.
3. Prints banner message.

The banner message contains the processor name, the version of the firmware, and the version of VMB. The letter code in the firmware version indicates if the firmware is pre-field test, field test, or official release.

The first digit indicates the major release number and the trailing digit indicates the minor release number (Figure 4–1).

System Initialization and Acceptance Testing (Normal Operation) 4.2 Power-On Self-Tests (POST)

Figure 4–1 Console Banner



MLO-008459

4. Displays language inquiry menu on console if console supports multinational character set (MCS) *and any* of the following are true:
 - Battery is dead.
 - Power-Up Mode switch is set to language inquiry mode.
 - Contents of SSC RAM are invalid.
5. Calls the diagnostic executive (DE) with Test Code = 0.
 - a. DE determines environment is nonmanufacturing from H3604.
 - b. DE executes script A1 (Tests CPU, Floating Point Accelerator (FPA), and memory).

While the diagnostics are running, the LEDs on the H3604 display a hexadecimal test code ranging from F to 3 before booting the operating system, and 2 to 0 while booting the operating system. A different countdown appears on the console terminal. Refer to Table 5–9 for a complete explanation of the power-up test display. Table 4–2 lists the LED codes and the associated actions performed at power-up. Example 4–3 shows a successful power-up to a list of bootable devices.
 - c. DE passes control back to the console program.
6. Issues end message and >>> prompt.

System Initialization and Acceptance Testing (Normal Operation)

4.2 Power-On Self-Tests (POST)

Table 4–2 LED Codes

LED Value	Actions
F	Initial state on power-up, no code has executed
E	Entered ROM space, some instructions have executed
D	Waiting for power to stabilize (POK)
C	SSC RAM, SSC registers, and ROM checksum tests
B	O-bit memory, interval timer, and virtual mode tests
A	FPA tests
9	Backup cache, primary cache, and memory tests
8	NMC, NCA, memory, and I/O interaction tests
7	CQBIC (Q22–bus) tests
6	Console loopback tests
5	SHAC DSSI subsystem tests
4	SGEC Ethernet subsystem tests
3	"Console I/O" mode
2	Control passed to VMB
1	Control passed to secondary bootstrap
0	"Program I/O" mode, control passed to operating system

System Initialization and Acceptance Testing (Normal Operation)

4.2 Power-On Self-Tests (POST)

Example 4–3 Successful Power-Up to List of Bootable Devices

```
KA6nn-A Vn.n VMB n.n
Performing normal system tests.
66..65..64..63..62..61..60..59..58..57..56..55..54..53..52..51..
50..49..48..47..46..45..44..43..42..41..40..39..38..37..36..35..
34..33..32..31..30..29..28..27..26..25..24..23..22..21..20..19..
18..17..16..15..14..13..12..11..10..09..08..07..06..05..04..03..
Tests completed.
Loading system software.
No default boot device has been specified.
Available devices.
-DIA0 (RF73)
-DIA1 (RF73)
-MIA5 (TF85/TF86)
-EZA0 (08-00-2B-06-10-42)
Device? [EZA0]:
```

4.2.2 Power-Up Tests for Q–Bus Options

Module self-tests run when you power up the system. A module self-test can detect hard or repeatable errors, but usually not intermittent errors.

Module LEDs display pass/fail test results:

- A pass by a module self-test does not guarantee that the module is good, because the test usually checks only the controller logic.
- A fail by a module self-test is accurate, because the test does not require any other part of the system to be working.

The following modules do not have LED self-test indicators:

```
DFA01
DPV11
DRQ3B
KLESI
LPV11
TSV05
```

The following modules have one green LED, which indicates that the module is receiving +5 and +12 Vdc and has passed self-tests:

```
CXA16
CXB16
CXY08
```

System Initialization and Acceptance Testing (Normal Operation)

4.2 Power-On Self-Tests (POST)

4.2.3 Power-Up Tests for Mass Storage Devices

An EF/RF-series ISE may fail either during initial power-up or during normal operation. In both cases, the failure is indicated by the lighting of the red fault LED on the drive's front panel. The ISE also has a red fault LED, but it is not visible from the outside of the system enclosure.

If the drive is unable to execute the Power-On Self-Test (POST) successfully, the red fault LED remains lit and the ready LED does not come on, or both LEDs remain on.

POST is also used to handle two types of error conditions in the drive:

- *Controller errors* are caused by the hardware associated with the controller function of the drive module. A controller error is fatal to the operation of the drive, since the controller cannot establish a logical connection to the host. The red fault LED lights. If this occurs, replace the drive module.
- *Drive errors* are caused by the hardware associated with the drive control function of the drive module. These errors are not fatal to the drive, since the drive can establish a logical connection and report the error to the host. Both LEDs go out for about 1 second, then the red fault LED lights.

4.3 CPU ROM-Based Diagnostics

The KA681/KA691/KA692/KA694 ROM-based diagnostic facility is the primary diagnostic tool for troubleshooting and testing of the CPU, memory, Ethernet, and DSSI subsystems. ROM-based diagnostics have significant advantages:

- Load time is virtually nonexistent.
- The boot path is more reliable.
- Diagnosis is done in a more primitive state.

The ROM-based diagnostics can detect failures in field-replaceable units (FRUs) other than the CPU module. For example, they can isolate one of up to four memory modules as FRUs. (Table 5–9 lists the FRUs indicated by ROM-based diagnostic error messages.)

The diagnostics run automatically on power-up. While the diagnostics are running, the LED on the H3604 displays a hexadecimal number; while booting the operating system, 2 through 0 display.

The ROM-based diagnostics are a collection of individual tests with parameters that you can specify. A data structure called a *script* points to the tests (see Section 4.3.2). There are several field and manufacturing scripts.

System Initialization and Acceptance Testing (Normal Operation)

4.3 CPU ROM-Based Diagnostics

A program called the *diagnostic executive* determines which of the available scripts to invoke. The script sequence varies if the system is in the manufacturing environment. The diagnostic executive interprets the script to determine what tests to run, the correct order to run the tests, and the correct parameters to use for each test.

The diagnostic executive also controls tests so that errors can be detected and reported. It ensures that when the tests are run, the machine is left in a consistent and well-defined state.

4.3.1 Diagnostic Tests

Example 4–4 shows a list of the ROM-based tests and utilities. To get this listing, enter T 9E at the console prompt (T is the abbreviation of TEST). The column headings have the following meanings:

Note

Base addresses shown in this document may not be the same as the addresses you see when you run T 9E. Run T 9E to get a list of actual addresses. See Example 4–4.

System Initialization and Acceptance Testing (Normal Operation)

4.3 CPU ROM-Based Diagnostics

Example 4-4 Test 9E

>>>T 9E

Test #	Address	Name	Parameters
	20053E00	SCB	
	20054E14	De_executive	
30	20063A20	Memory_Init_Bitmap	*** mark_Hard_SBEs *****
31	200641BC	Memory_Setup_CSRS	*****
32	20064CB0	NMC_registers	*****
33	20064E4C	NMC_powerup	**
34	2005B730	SSC_ROM	*
35	20067AEC	B_Cache_diag_mode	bypass_test_mask *****
37	2006868C	Cache_w_Memory	bypass_test_mask *****
3F	2006443C	Mem_FDM_Addr_shorts	*** cont_on_err *****
40	20062608	Memory_count_pages	First_board Last_bd Soft_errs_allowed *****
41	2005650C	Board_Reset	*
42	2005A3CC	Chk_for_Interrupts	*****
46	2006782C	P_Cache_diag_mode	bypass_test_mask *****
47	20063F48	Memory_Refresh	start_a end_incr cont_on_err time_seconds *****
48	20061878	Memory_Addr_shorts	start_add end_add * cont_on_err pat2 pat3 ****
49	2006342C	Memory_FDM	*** cont_on_err *****
4A	20063138	Memory_ECC_SBEs	start_add end_add add_incr cont_on_err *****
4B	20061EDC	Memory_Byte_Errors	start_add end_add add_incr cont_on_err *****
4C	20062AC8	Memory_ECC_Logic	start_add end_add add_incr cont_on_err *****
4D	200616F8	Memory_Address	start_add end_add add_incr cont_on_err *****
4E	20061CE0	Memory_Byte	start_add end_add add_incr cont_on_err *****
4F	20062814	Memory_Data	start_add end_add add_incr cont_on_err *****
51	2005A88C	FPA	*****
52	2005ABCC	SSC_Prog_timers	which_timer wait_time_us ***
53	2005AE9C	SSC_TOY_Clock	repeat_test_250ms_ea Tolerance ***
54	2005A4A2	Virtual_Mode	*****
55	2005B052	Interval_Timer	*****
56	2005FF38	SHAC_LPBACK	*****
58	200607B4	SHAC_RESET	dssi_bus port_number time_secs
59	2005F080	SGEC_LPBACK_ASSIST	time_secs **
5C	2005F5E8	SHAC	shac_number *****
5F	2005E36C	SGEC	loopback_type no_ram_tests *****
60	2005DD67	SSC_Console_SLU	start_BAUD end_BAUD *****
63	2005B5D4	QDSS_any	input_csr selftest_r0 selftest_r1 *****
80	20065280	CQBIC_memory	bypass_test_mask *****
81	2005B236	Qbus_MSCP	IP_csr *****
82	2005B3FB	Qbus_DELQA	device_num_addr ****
83	200577FA	QZA_Intlpbck1	controller_number *****
84	20058EB4	QZA_Intlpbck2	controller_number *****
85	20056A34	QZA_memory	incr test_pattern controller_number *****
86	20056EF0	QZA_DMA	Controller_number main_mem_buf *****
87	2005A0F8	QZA_EXTLPBCK	controller_number ****
90	2005AB4A	CQBIC_registers	*
91	2005AAE0	CQBIC_powerup	**
99	20065048	Flush_Ena_Caches	dis_flush_virtual dis_flush_backup dis_flush_primary
9A	2005D080	INTERACTION	pass_count disable_device ****

(continued on next page)

System Initialization and Acceptance Testing (Normal Operation)

4.3 CPU ROM-Based Diagnostics

Example 4–4 (Cont.) Test 9E

```

9B 20064ECC  Init_memory_16MB  *
9C 2005B7FA  List_CPU_registers  *
9D 2005E138  Utility              Expnd_err_msg get_mode init_LEDs clr_ps_cnt
9E 2005B208  List_diagnostics    *
9F 20060D4C  Create_A0_Script    *****
C1 200566E0  SSC_RAM_Data        *
C2 200568B6  SSC_RAM_Data_Addr  *
C5 2005E25A  SSC_registers       *
C6 20056624  SSC_powerup         *****
D0 20067400  V_Cache_diag_mode  bypass_test_mask *****
D2 20065A1C  O_Bit_diag_mode    bypass_test_mask *****
DA 200684B4  PB_Flush_Cache     *****
DB 200661B0  Speed              print_speed *****
DC 200643E0  NO_Memory_present  *****
DD 2006691C  B_Cache_Data_debug start_add end_add add_incr *****
DE 200664D4  B_Cache_Tag_Debug  start_add end_add add_incr *****
DF 20065DF0  O_BIT_DEBUG        start_add end_add add_incr seg_incr *****

```

Scripts

```

# Description
A0 User defined scripts
A1 Powerup tests, Functional Verify, continue on error, numeric countdown
A3 Functional Verify, stop on error, test # announcements
A4 Loop on A3 Functional Verify
A5 Address shorts test, run fastest way possible
A6 Memory tests, mark only multiple bit errors
A7 Memory tests
A8 Memory acceptance tests, mark single and multi-bit errors, call A7
A9 Memory tests, stop on error
>>>

```

- Test is the test number or utility code.
- Address is the base address of where the test or utility starts in ROM. If a test fails, entering T FE displays diagnostic state to the console. You can subtract the base address of the failing test from the last_exception_pc to find the index into the failing test's diagnostic listing.
- Name is a brief description of the test or utility.
- Parameters shows the parameters for each diagnostic test or utility. These parameters are encoded in ROM and are provided by the diagnostic executive. Tests accept up to 10 parameters. The asterisks (*) represent parameters that are used by the tests but that you cannot specify individually. These parameters are displayed in error messages, each one preceded by identifiers P1 through P10.

System Initialization and Acceptance Testing (Normal Operation)

4.3 CPU ROM-Based Diagnostics

Parameters that you can specify are written out, as shown in the following examples:

```
30 2005C33C Memory_Init_Bitmap *** mark_Hard_SBEs *****
54 20055181 Virtual_Mode      *****
```

For example, the virtual mode test contains several parameters, but you cannot specify any that appear in the table as asterisks. To run this test individually, enter:

```
>>>T 54
```

The MEM_bitmap test, for example, accepts 10 parameters, but you can only specify mark_hard_SBEs because the rest are asterisks. To map out solid, single-bit ECC memory errors, type:

```
>>>T 30 0 0 0 1
```

Even though you cannot change the first three parameters, you need to enter either zeros (0) or ones (1) as placeholders. Zeros are more common and are shown in this example. The zeros are placeholders for parameters 1 through 3, which allows the program to parse the command line correctly. The diagnostic executive then provides the proper value for the test.

You enter 1 for parameter 4 to indicate that the test should map out solid, single-bit as well as multibit ECC memory errors. You then terminate the command line by pressing **RETURN**. You do not need to specify parameters 5 through 10; placeholders are needed only for parameters that precede the user-definable parameter.

For the most part tests and scripts can be run without any special setup. If a test or script is run interactively without an intervening power up, such as after a system crash or shutdown, enter the UNJAM and INIT commands before running the tests or script. This will ensure that the CPU is in a well known state. If the commands are not entered, misleading errors may occur.

Other considerations to be aware of when running individual tests or scripts interactively:

- When using the TEST or REPEAT TEST commands, you must specify a test number, test code or script number following the TEST command before pressing **RETURN**.
- The memory bitmap and Q-bus scatter-gather map are created in main memory and the memory tests are run with these data structures left intact. Therefore, the upper portion of memory should not be accessed to avoid corrupting these data structures. The location of the maps is displayed using the SHOW MEMORY/FULL command.

System Initialization and Acceptance Testing (Normal Operation) 4.3 CPU ROM-Based Diagnostics

4.3.2 Scripts

Most of the tests shown by utility 9E are arranged into scripts. A *script* is a data structure that points to various tests and defines the order in which they are run. Scripts should be thought of as diagnostic tables—these tables do not contain the actual diagnostic tests themselves, instead scripts simply define what tests or scripts should be run, the order in which the tests or scripts should be run, and any input parameters to be parsed by the Diagnostic Executive.

Different scripts can run the same set of tests, but in a different order and /or with different parameters and flags. A script also contains the following information:

- The parameters and flags that need to be passed to the test.
- The location from where the tests can be run. For example, certain tests can be run only from the FEPROM. Other tests are program-independent code, and can be run from FEPROM or main memory to enhance execution speed.
- What is to be shown, if anything, on the console.
- What is to be shown, if anything, in the LED display.
- What action to take on errors (halt, repeat, continue).

The power-up script runs every time the system is powered on. You can also invoke the power-up script at any time by entering T 0.

Additional scripts are included in the ROMs for use in manufacturing and engineering environments. Customer Services personnel can run these scripts and tests individually, using the T command. When doing so, note that certain tests may be dependent upon a state set up from a previous test. For this reason, use the UNJAM and INITIALIZE commands before running an individual test. You do not need these commands on system power-up because the system power-up leaves the machine in a defined state.

Customer Services Engineers (CSE) with a detailed knowledge of the system hardware and firmware can also create their own scripts by using the 9F User Script Utility. Table 4–3 lists the scripts available to Customer Services.

System Initialization and Acceptance Testing (Normal Operation)

4.3 CPU ROM-Based Diagnostics

Table 4–3 Scripts Available to Customer Services

Script ¹	Enter with TEST Command	Description
A0	A0	Runs user-defined script. Enter T 9F to create.
A1	A1, 0	Primary power-up script; builds memory bitmap; marks hard single-bit errors and multibit errors. Continues on error.
A5	A5	Runs address shorts test from RAM; invokes tests 3F and 48; runs test 48 the fastest way possible using fast mode and running cached from RAM.
A6	A6	Memory test script; initializes memory bitmap and marks only multiple bit errors.
A7	A7, A8	Memory test portion invoked by script A8. Reruns the memory tests without rebuilding and reinitializing the bitmap. Run script A8 once before running script A7 separately to allow mapping out of both single-bit and double-bit main memory ECC errors.
A8	A8	Memory acceptance. Running script A8 with script A7 tests main memory more extensively. It enables hard single-bit and multibit main memory ECC errors to be marked bad in the bitmap. Invokes script A7 when it has completed its tests.
A9	A9	Memory tests. Halts and reports the first error. Does not reset the bitmap or busmap. It is a quick way to specify which test caused a failure when a hard error is present.
AD	AD	Console program. Runs memory tests, marks bitmap, resets busmap, and resets caches. Calls script AE.
AE	AE, AD	Console program. Resets memory CSRs and resets caches. Also called by the INIT command.
AF	AF	Console program. Resets busmap and resets caches.

¹Scripts AD, AE, and AF exist primarily for console program; error displays and progress messages are suppressed (not recommended for CSE use).

In most cases, the service engineer needs only the scripts shown below for effective troubleshooting and acceptance testing.

System Initialization and Acceptance Testing (Normal Operation)

4.3 CPU ROM-Based Diagnostics

```
Scripts
# Description
A0 User defined scripts
A1 Powerup tests, Functional Verify, continue on error, numeric
   countdown
A3 Functional Verify, stop on error, test # announcements
A4 Loop on A3 Functional Verify
A5 Address shorts test, run fastest way possible
A6 Memory tests, mark only multiple bit errors
A7 Memory tests
A8 Memory acceptance tests, mark single and multibit errors,
   call A7
A9 Memory tests, stop on error
>>>
```

4.4 Basic Acceptance Test Procedure

Perform the acceptance testing procedure listed below, after installing a system, or whenever adding or replacing the following:

- CPU module
- MS690 memory module
- Backplane
- DSSI device
- H3604 console module

1. While monitoring the test display on the console terminal, run five error-free passes of the power-up scripts by entering the following command:

```
>>>R T 0
```

If you cannot monitor the console terminal during this step, use the following command.

```
>>>T A4
```

Script A4 will halt on an error so that the error message will not scroll off the screen.

Press **CTRL/C** to terminate the scripts. Refer to Chapter 5 if failures occur.

2. Double-check the memory configuration, since test 31 can check for only a few invalid configurations. For example, test 31 cannot report that a memory board is missing from the configuration, since it has no way of knowing if the board should be there or not.

System Initialization and Acceptance Testing (Normal Operation)

4.4 Basic Acceptance Test Procedure

To check the memory configuration and to ensure there are no bad pages, enter the following command line:

```
>>>SHOW MEMORY/FULL
Memory 0: 00000000 to 01FFFFFF, 32 Mbytes, 0 bad pages

Total of 32 Mbytes, 0 bad pages, 112 reserved pages

Memory Bitmap
-01FF2000 to 01FF3FFF, 16 pages

Console Scratch Area
-01FF4000 to 01FF7FFF, 32 pages

Q-bus Map
-01FF8000 to 01FFFFFF, 64 pages

Scan of Bad Pages

>>>
```

Memories 0 through 3 are the MS690 memory modules. The Q22-bus map always spans the top 32 Kbytes of good memory. The memory bitmap always spans two pages (1 Kbyte) for each 4 Mbytes of memory configured. Each bit within the memory bit map represents a page of memory.

Use utility 9C to examine the contents of configuration registers MEMCON 0-7 to verify the memory configuration:

```
>>>T 9C
SBR=07FB8000 SLR=00002021 SAVPC=20047F58 SAVPSL=20047F58 BCETSTS=00000000
SCBB=20053E00 P0BR=80000000 POLR=00100A80 P1BR=00800000 BCETIDX=00000000
P1LR=00600000 SID=13000202 TODR=00000000 ICCS=00000000 BCEDSTS=00000700
ECR=000000CA MAPEN=00000000 BDMTR=20084000 BDMKR=0000007C BCEDIDX=00000010
TCR0=00000005 TIR0=0112BD68 TNIR0=00000000 TIVR0=00000078 BCEDECC=00000000
TCR1=00000001 TIR1=0117BFA9 TNIR1=0000000F TIVR1=0000007C NEDATHI=00000000
RXCS=00000000 RXDB=0000000D TXCS=00000000 TXDB=00000030 NEDATLO=00000000
SCR=0000D000 DSER=00000000 QBEAR=0000000F DEAR=00000000 CESR=00000000
QMBR=07FF8000 BDR=3CFD08AB DLEDR=0000000C SSSCR=00D55570 CMCDLR=0000C108
CBTCR=00004000 IPCR0=0000 CSEAR1=00000000 CSEAR2=00000000 CIOEAR1=00000000
PCSTS=FFFFFF80 PCADR=FFFFFFF8 PCCTL=FFFFFFE13 ICSR=00000001 CIOEAR2=00000300
CCTL=00000007 BCETAG=00000000 VMAR=000007E0 CNEAR=00000000
NESTS=00000000 CEFSTS=00019200 NEOADR=E005BFD8 NEOCMD=8000FF04 NEICMD=00000000
DSSI_1=03 (BUS_1) PQBBR_1=03060022 PMCSR_1=00000000 SSHMA_1=00008A20
PSR_1=00000000 PESR_1=00000000 PFAR_1=00000000 PPR_1=00000000
DSSI_2=02 (BUS_0) PQBBR_2=03060022 PMCSR_2=00000000 SSHMA_2=0000CA20
PSR_2=00000000 PESR_2=00000000 PFAR_2=00000000 PPR_2=00000000
NICSR0=1FFF0003 3=00004030 4=00004050 5=8039FF00 6=83E0F000 7=00000000
NICSR9=04E204E2 10=00040000 11=00000000 12=00000000 13=00000000 15=0000FFFF
NISA=08-00-2B-26-A5-53 MEAR=18406010_ADD=21018040 MESR=00006000
MEMCON_0:3; 0=80000005, 1=84000005, 2=00000007, 3=00000007 MMCDLR=01111000
MEMCON_4:7; 4=00000007, 5=00000007, 6=00000007, 7=00000007 MOAMR=00000000

>>>
```

To identify registers and register bit fields, see the *KA680 CPU Module Technical Manual* and its Addendum.

System Initialization and Acceptance Testing (Normal Operation)

4.4 Basic Acceptance Test Procedure

Examine MEMCON 0–7 to verify the memory configuration. Each pair of MEMCONs maps one MS690 memory module as follows:

MEMCON0–1	First MS690; slot 4, closest to CPU
MEMCON2–3	Second MS690; slot 3
MEMCON4–5	Third MS690; slot 2
MEMCON6–7	Fourth MS690; slot 1, farthest from CPU

Verify the following:

- The bank enable bit (<31>) in both MEMCONs for each memory module is set to (8xxx xxxh), which indicates that the base address for the banks contained on the module is valid.
- MEMCON bits <2:1> are the signature field and contain the following value (Table 4–4), in relation to the size of the array.

Table 4–4 Signature Field Values

MCSR 0–15 <2:1>	Hex Equiv	Configuration
00	0	Unassigned
01	2	RAM size 1 Mbit
10	4	RAM size 4 Mbits
11	6	Bank no response

- MEMCON bits <28:24> indicate the base address for each memory bank. The first valid bank starts at 0. The memory subsystem can mix the different sized memory modules (32 MB, 64 MB, and 128 MB). The largest sized memory module will be configured first, no matter where it is in the system. After all modules of the largest size are configured, the next largest size will be configured.
 - MEMCONs display 0000 0007 if no memory module is present; there should be no gaps in the memory configuration.
3. Check the Q22–bus and the Q22–bus logic in the KA681/KA691/KA692 /KA694 CQBIC chip and the configuration of the Q22–bus, as follows:

System Initialization and Acceptance Testing (Normal Operation)

4.4 Basic Acceptance Test Procedure

```
>>>SHOW QBUS
Scan of Q-bus I/O Space
-200000DC (760334)=0000 RQDX3/KDA50/RRD50/RQC25/KFQSA-DISK
-200000DE (760336)=0AA0
-20001468 (772150)=0000 RQDX3/KDA50/RRD50/RQC25/KFQSA-DISK
-2000146A (772152)=0AA0
-20001920 (774440)=FF08 DESQA
-20001922 (774442)=FF00
-20001924 (774444)=FF2B
-20001926 (774446)=FF09
-20001928 (774450)=FFA3
-2000192A (774452)=FF96
-2000192C (774454)=0050
-2000192E (774456)=1030
-20001940 (774500)=0000 TQK50/TQK70/TU81E/RV20/KFQSA-TAPE
-20001942 (774502)=0BC0
-20001F40 (777500)=0020 IPCR

Scan of Q-bus Memory Space
>>>
```

The columns are described below. The examples listed are from the last line of the example above.

- First column = the VAX I/O address of the CSR, in hex (20001F40).
- Second column = the Q22-bus address of the CSR, in octal (777500).
- Third column = the data, contained at the CSR address, in hex (0020).
- Fourth column = the speculated device name (IPCR, the CPU interprocessor communications register).

Additional lines for the device are displayed if more than one CSR exists. The last line, Scan of Q-bus Memory Space, displays memory residing on the Q22-bus, if present. VAX memory mapped by the Q22-bus map is not displayed under SHOW QBUS, but is displayed using SHOW MEMORY /FULL.

If the system contains an MSCP or TMSCP controller, run test 81. This test performs the following functions:

- Performs step one of the UQ port initialization sequence
- Performs the SA wraparound test
- Checks the Q22-bus interrupt logic

If you do not specify the CSR address, the test searches for and runs on the first MSCP device by default. To test the first TMSCP device, you must specify the first parameter:

```
>>>T 81 20001940
```

System Initialization and Acceptance Testing (Normal Operation)

4.4 Basic Acceptance Test Procedure

You can specify other addresses if you have multiple MSCP or TMSCP devices. This action may be useful to isolate a problem with a controller, the CPU module, or the backplane. Use the VAX I/O address provided by the SHOW QBUS command to determine the CSR value. If you do not specify a value, the MSCP device at address 20001468 is tested by default.

4. Check that all UQSSP, MSCP, TMSCP, and Ethernet controllers and devices are visible by typing the following command line:

```
>>>SHOW DEVICE
DSSI Bus 0 Node 0 (ALPHA)
-DIA0 (RF72)
DSSI Bus 0 Node 1 (BETA)
-DIA1 (RF72)
DSSI Bus 0 Node 2 (GAMMA)
-DIA2 (RF72)
DSSI Bus 0 Node 5 (ZETA)
-MIA5 (TF85/TF86)
DSSI Bus 0 Node 6 (*)
DSSI Bus 1 Node 7 (*)
Ethernet Adapter
-EZA0 (08-00-2B-08-E8-6E)
Ethernet Adapter 0 (774440)
-XQA0 (08-00-2B-06-16-F2)
```

In the example, the console displays the node numbers of disk and tape ISEs it recognizes. The line below each node name and number is the logical device name DIA0, DIA1, DIA2, and MIA5 in this case.

The two lines marked by an asterisk (*) are for the embedded DSSI adapters. DSSI node names and node numbers must be unique.

The next two lines show the logical name and station address for the embedded Ethernet adapter. The last two lines refer to a DESQA Ethernet controller, its Q22-bus CSR address, its logical name (XQA0), and its station address.

5. Run one pass of the DSSI internal drive tests (DRVTST and DRVEXR) using the Diagnostic Utility Protocol (DUP) driver as described in Section 5.4.

System Initialization and Acceptance Testing (Normal Operation)

4.4 Basic Acceptance Test Procedure

6. If the above steps have completed successfully and you have time to test the Q-bus options, load MDM (minimum release of MDM 136 is required for VAX 4000 Model 500 systems). Run the system tests from the Main Menu. If they run successfully, the system has gone through its basic checkout and the operating system software can be loaded.
7. Bring up the operating system.
8. Bringing up the OpenVMS operating system completes the installation procedures. Run the OpenVMS User Environment Test Package (UETP) to test that the OpenVMS operating system is correctly installed. Refer to the *VAX 3520, 3540 OpenVMS Installation and Operations (ZKS166)* manual for instructions on running UETP.

4.5 Machine State on Power-Up

This section describes the state of the kernel after a power-up halt.

The descriptions in this section assume the system has just powered up and the power-up diagnostics have successfully completed. The state of the machine is not defined if individual diagnostics are run or for any other halts other than a power-up halt (SAVPSL<13:8>(RESTART_CODE) = 3). Refer to Appendix E for a description of the normal state of CPU configurable bits following completion of power-up tests.

4.6 Main Memory Layout and State

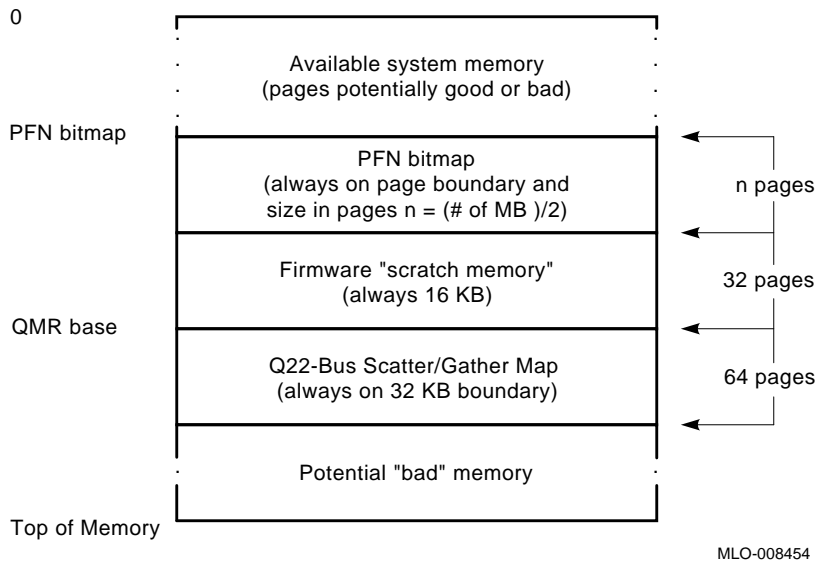
Main memory is tested and initialized by the firmware on power-up.

Figure 4-2 is a diagram of how main memory is partitioned after diagnostics.

System Initialization and Acceptance Testing (Normal Operation)

4.6 Main Memory Layout and State

Figure 4–2 Memory Layout After Power-Up Diagnostics



4.6.1 Reserved Main Memory

In order to build the scatter/gather map and the bitmap, the firmware attempts to find a physically contiguous page-aligned 176-KB block of memory at the highest possible address that has no multiple bit errors. Single-bit errors are tolerated in this section.

Of the 176 KB, the upper 32 KB is dedicated to the Q22–bus scatter/gather map, as shown in Figure 4–2. Of the lower portion, up to 128 Kb at the bottom of the block is allocated to the Page Frame Number (PFN) bitmap. The size of the PFN bitmap is dependent on the extent of physical memory, each bit in the bitmap maps one page (512 bytes) of memory. The remainder of the block between the bitmap and scatter/gather map (minimally 16 KB) is allocated for the firmware.

4.6.1.1 PFN Bitmap

The PFN bitmap is a data structure that indicates which pages in memory are deemed usable by operating systems. The bitmap is built by the diagnostics as a side effect of the memory tests on power-up. The bitmap always starts on a page boundary. The bitmap requires 1 KB for every 4 MB of main memory, hence, an 8 MB system requires 2 KB, 16 MB requires 4 KB, 32 MB requires 8 KB, and a 64 MB requires 16 KB. The bitmap does not map itself or anything

System Initialization and Acceptance Testing (Normal Operation)

4.6 Main Memory Layout and State

above it. There may be memory above the bitmap which has both good and bad pages.

Each bit in the PFN bitmap corresponds to a page in main memory. There is a one to one correspondence between a page frame number (origin 0) and a bit index in the bitmap. A one in the bitmap indicates that the page is "good" and can be used. A zero indicates that the page is "bad" and should not be used. By default, a page is flagged "bad", if a multiple bit error occurs when referencing the page. Single bit errors, regardless of frequency, will not cause a page to be flagged "bad".

The PFN bitmap is protected by a checksum stored in the NVRAM. The checksum is a simple byte wide, two's complement checksum. The sum of all bytes in the bitmap and the bitmap checksum should result in zero.

4.6.1.2 Scatter/Gather Map

On power-up, the scatter/gather map is initialized by the firmware to map to the first 4 MB of main memory. Main memory pages will not be mapped if there is a corresponding page in Q22-bus memory, or if the page is marked bad by the PFN bitmap.

On a processor halt other than power-up, the contents of the scatter/gather map are undefined, and are dependent on operating system usage.

Operating systems should not move the location of the scatter/gather map, and should access the map only on aligned longwords through the local I/O space of 20088000 to 2008FFFC, inclusive. The Q22-bus map base register (QMBR), is set up by the firmware to point to this area, and should not be changed by software.

4.6.1.3 Firmware "Scratch Memory"

This section of memory is reserved for the firmware. However, it is only used after successful execution of the memory diagnostics and initialization of the PFN bitmap and scatter/gather map. This memory is primarily used for diagnostic purposes.

4.6.2 Contents of Main Memory

The contents of main memory are undefined after the diagnostics have run. Typically, nonzero test patterns will be left in memory.

The diagnostics will "scrub" all of main memory, so that no power-up induced errors remain in the memory system. On the KA681/KA691/KA692/KA694 memory subsystem, the state of the ECC bits and the data bits are undefined on initial power-up. This can result in single and multiple bit errors if the locations are read before written, because the ECC bits are not in agreement

System Initialization and Acceptance Testing (Normal Operation)

4.6 Main Memory Layout and State

with their corresponding data bits. An aligned longword write to every location (done by diagnostics) eliminates all power-up induced errors.

4.6.3 Memory Controller Registers

The CPU firmware assigns bank numbers to the MEMCON_n registers in ascending order, without attempting to disable physical banks that contain errors. High order unused banks are set to zero. Error loggers should capture the following bits from each MEMCON_n register:

- MEMCON_n <31> (bank enable bit). As the firmware always assigns banks in ascending order, knowing which banks are enabled is sufficient information to derive the bank numbers.
- MEMCON_n <1:0> (bank usage). This field determines the size of the banks on the particular memory board.

Additional information should be captured from the NMCDSR, MOAMR, MSER, and MEAR as needed.

4.6.4 On-Chip Cache

The CPU on-chip cache is tested during the power-up diagnostics, flushed, and then turned on. The cache is also turned on by the BOOT and the INIT command.

4.6.5 Translation Buffer

The CPU translation buffer is tested by diagnostics on power-up, but not used by the firmware because it runs in physical mode. The translation buffer can be invalidated by using PR\$_TBIA, IPR 57.

4.6.6 Halt-Protected Space

On the KA681/KA691/KA692/KA694 halt-protected space spans the 512-KB FEPRM from 20040000 to 2007FFFF.

The firmware always runs in halt-protected space. When passing control to the bootstrap, the firmware exits the halt-protected space, so if halts are enabled, and the halt line is asserted, the processor will then halt before booting.

4.7 Operating System Bootstrap

Bootstrapping is the process by which an operating system loads and assumes control of the system. The KA681/KA691/KA692/KA694 support bootstrap of the VAX/OpenVMS and VAXELN operating systems. Additionally, the KA681/KA691/KA692/KA694 will boot MDM diagnostics and any user application image which conforms to the boot formats described herein.

System Initialization and Acceptance Testing (Normal Operation)

4.7 Operating System Bootstrap

On the KA681/KA691/KA692/KA694 a bootstrap occurs whenever a BOOT command is issued at the console or whenever the processor halts and the conditions specified in Table 3–5 for automatic bootstrap are satisfied.

4.7.1 Preparing for the Bootstrap

Prior to dispatching to the primary bootstrap (VMB), the firmware initializes the system to a known state. The initialization sequence follows:

1. Check the console program mailbox "bootstrap in progress" bit (CPMBX<2>(BIP)). If it is set, bootstrap fails.
2. If this is an automatic bootstrap, display the message "Loading system software." on the console terminal.
3. Set CPMBX<2>(BIP).
4. Validate the Page Frame Number (PFN) bitmap. If PFN bitmap checksum is invalid, then:
 - a. Perform an UNJAM.
 - b. Perform an INIT.
 - c. Retest memory and rebuild PFN bitmap.
5. Validate the boot device name. If none exists, supply a list of available devices and prompt user for a device. If no device is entered within 30 seconds, use EZA0.
6. Write a form of this BOOT request including the active boot flags and boot device on the console, for example "(BOOT/R5:0 DUA0)".
7. Initialize the Q22–bus scatter/gather map.
 - a. Set IPCR<8>(AUX_HLT).
 - b. Clear IPCR<5>(LMEAE).
 - c. Perform an UNJAM.
 - d. Perform an INIT.
 - e. If an arbiter, map all vacant Q22–bus pages to the corresponding page in local memory and validate each entry if that page is "good".
 - f. Set IPCR<5>(LMEAE).
8. Search for a 128 KB contiguous block of good memory as defined by the PFN bitmap. If 128 KB cannot be found, the bootstrap fails.

System Initialization and Acceptance Testing (Normal Operation) 4.7 Operating System Bootstrap

9. Initialize the general purpose registers as follows:

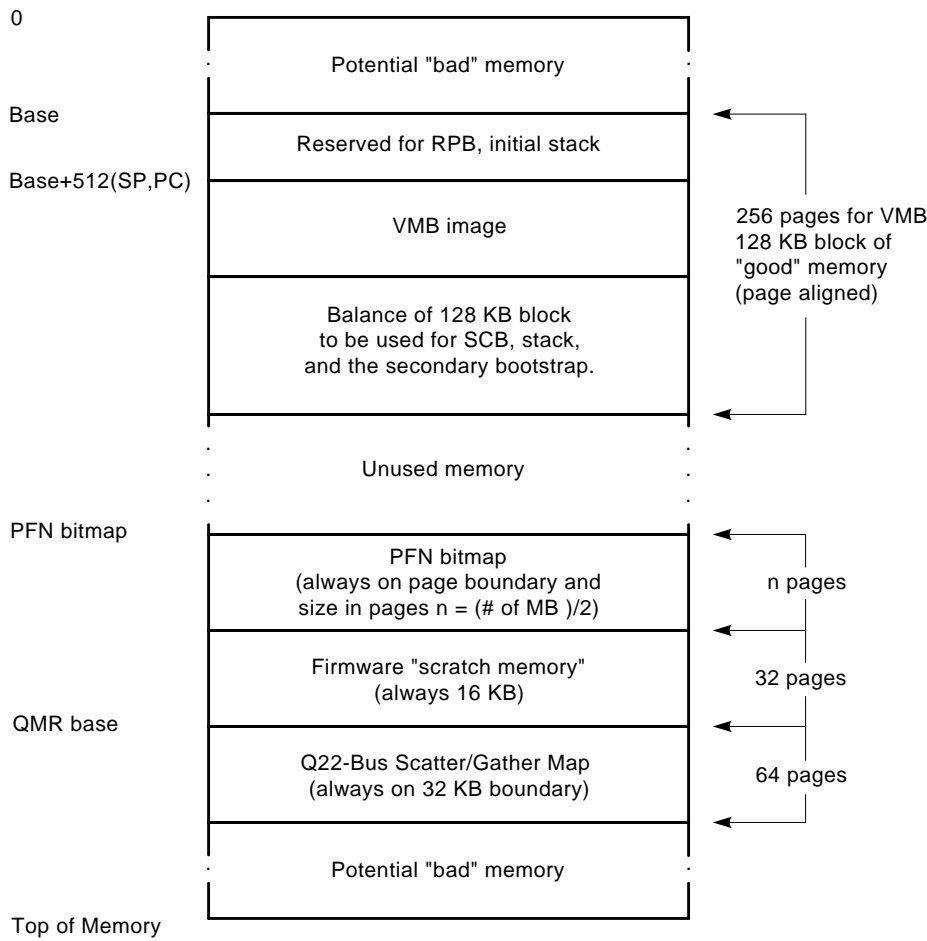
R0	Address of descriptor of boot device name; 0 if none specified
R2	Length of PFN bitmap in bytes
R3	Address of PFN bitmap
R4	Time-of-day of bootstrap from PR\$_TODR
R5	Boot flags
R10	Halt PC value
R11	Halt PSL value (without halt code and map enable)
AP	Halt code
SP	Base of 128-Kbyte good memory block + 512
PC	Base of 128-Kbyte good memory block + 512
R1, R6, R7, R8, R9, FP	0

10. Copy the VMB image from FEPROM to local memory beginning at the base of the 128 KB good memory block + 512.
11. Exit from the firmware to memory resident VMB.

On entry to VMB the processor is running at IPL 31 on the interrupt stack with memory management disabled. Also, local memory is partitioned as shown in Figure 4-3.

System Initialization and Acceptance Testing (Normal Operation)
4.7 Operating System Bootstrap

Figure 4-3 Memory Layout Prior to VMB Entry



MLO-008455

4.7.2 Primary Bootstrap Procedures (VMB)

Virtual Memory Boot (VMB) is the primary bootstrap for booting VAX processors. On the KA681/KA691/KA692/KA694 module, VMB is resident in the firmware and is copied into main memory before control is transferred to it. VMB then loads the secondary bootstrap image and transfers control to it.

In certain cases, such as VAXELN, VMB actually loads the operating system directly. However, for the purpose of this discussion "secondary bootstrap" refers to any VMB loadable image.

System Initialization and Acceptance Testing (Normal Operation)

4.7 Operating System Bootstrap

VMB inherits a well defined environment and is responsible for further initialization. The following summarizes the operation of VMB.

1. Initialize a two page SCB on the first page boundary above VMB.
2. Allocate a three page stack above the SCB.
3. Initialize the Restart Parameter Block (RPB).
4. Initialize the secondary bootstrap argument list.
5. If not a PROM boot, locate a minimum of three consecutive valid QMRs.
6. Write "2" to the diagnostic LEDs and display "2.." on the console to indicate that VMB is searching for the device.
7. Optionally, solicit from the console a "Bootfile: " name.
8. Write the name of the boot device from which VMB will attempt to boot on the console, for example, "-DUA0".
9. Copy the secondary bootstrap from the boot device into local memory above the stack. If this fails, the bootstrap fails.
10. Write "1" to the diagnostic LEDs and display "1.." on the console to indicate that VMB has found the secondary bootstrap image on the boot device and has loaded the image into local memory.
11. Clear CPMBX<2>(BIP) and CPMBX<3>(RIP).
12. Write "0" to the diagnostic LEDs and display "0.." on the console to indicate that VMB is now transferring control to the loaded image.
13. Transfer control to the loaded image with the following register usage.

R5	Transfer address in secondary bootstrap image
R10	Base address of secondary bootstrap memory
R11	Base address of RPB
AP	Base address of secondary boot parameter block
SP	Base address of secondary boot parameter block

If the bootstrap operation fails, VMB relinquishes control to the console by halting with a HALT instruction. VMB makes no assumptions about the location of Q22-bus memory. However, VMB searches through the Q22-bus Map Registers (QMRs) for the first QMR marked "valid". VMB requires minimally 3 and maximally 129 contiguous "valid" maps to complete a bootstrap operation. If the search exhausts all map registers or there are fewer than the required number of "valid" maps, a bootstrap cannot be performed.

System Initialization and Acceptance Testing (Normal Operation)

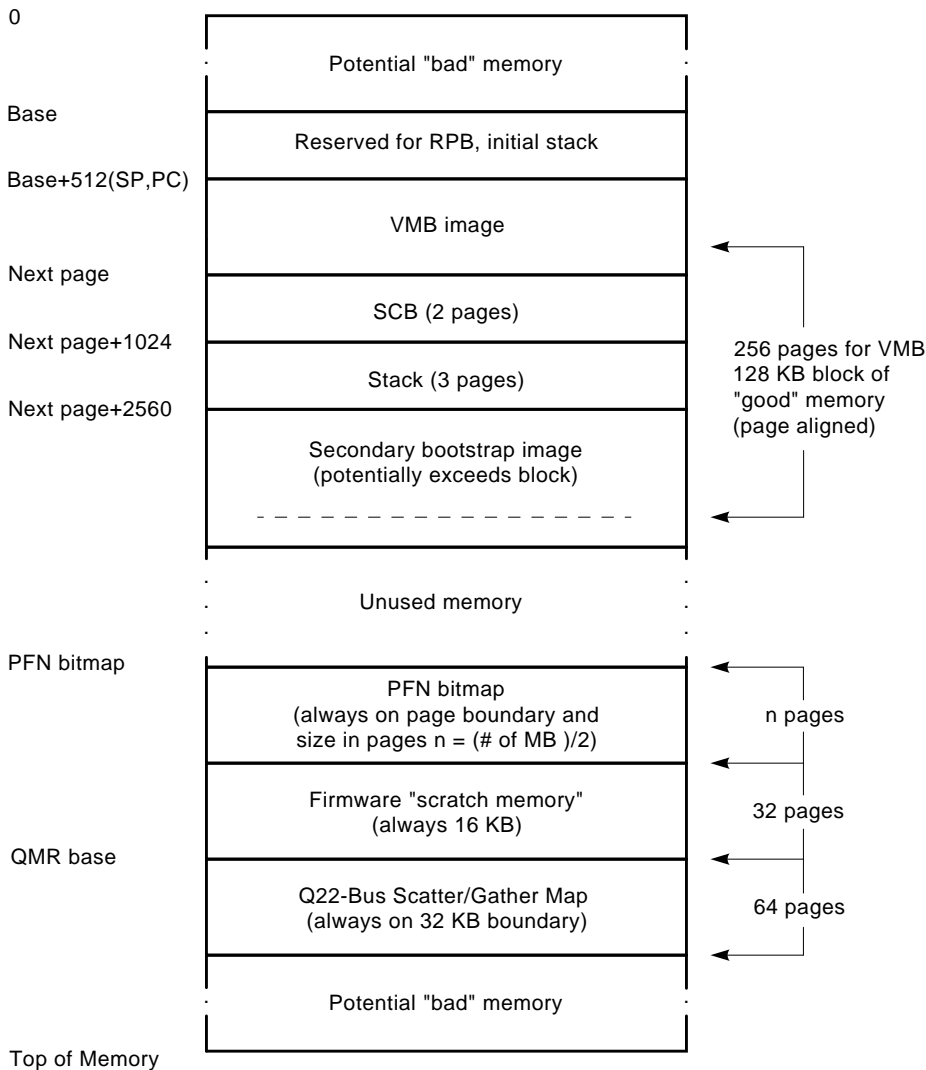
4.7 Operating System Bootstrap

It is recommended that a suitable block of Q22-bus memory address space be available (unmapped to other devices) for proper operation.

After a successful bootstrap operation, control is passed to the secondary bootstrap image with the memory layout as shown in Figure 4-4.

System Initialization and Acceptance Testing (Normal Operation) 4.7 Operating System Bootstrap

Figure 4-4 Memory Layout at VMB Exit



MLO-008456

In the event that an operating system has an extraordinarily large secondary bootstrap which overflows the 128 KB of "good" memory, VMB loads the remainder of the image in memory above the "good" block. However, if there are not enough contiguous "good" pages above the block to load the remainder of the image, the bootstrap fails.

System Initialization and Acceptance Testing (Normal Operation)

4.7 Operating System Bootstrap

4.7.3 Device Dependent Secondary Bootstrap Procedures

The following sections describe the various device dependent boot procedures.

4.7.3.1 Disk and Tape Bootstrap Procedure

The disk and tape bootstrap supports Files-11 lookup (supporting only the ODS level 2 file structure) or the boot block mechanism (used in PROM boot also). Of the standard DEC operating systems, OpenVMS and ELN use the Files-11 bootstrap procedure and Ultrix-32 uses the boot block mechanism.

VMB first attempts a Files-11 lookup, unless the RPB\$V_BBLOCK boot flag is set. If VMB determines that the designated boot disk is a Files-11 volume, it searches the volume for the designated boot program, usually [SYS0.SYSEXE]SYSBOOT.EXE. However, VMB can request a diagnostic image or prompt the user for an alternate file specification. If the boot image can't be found, VMB fails.

If the volume is not a Files-11 volume or the RPB\$V_BBLOCK boot flag was set, the boot block mechanism proceeds as follows:

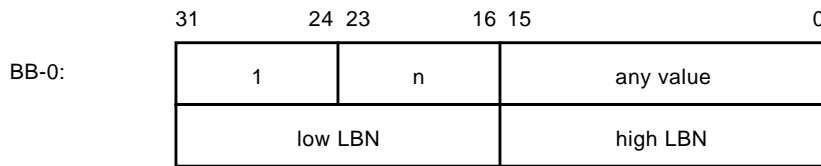
1. Read logical block 0 of the selected boot device (this is the boot block).
2. Validate that the contents of the boot block conform to the boot block format (see below).
3. Use the boot block to find and read in the secondary bootstrap.
4. Transfer control to the secondary bootstrap image, just as for a Files-11 boot.

The format of the boot block must conform to that shown in Figure 4-5.

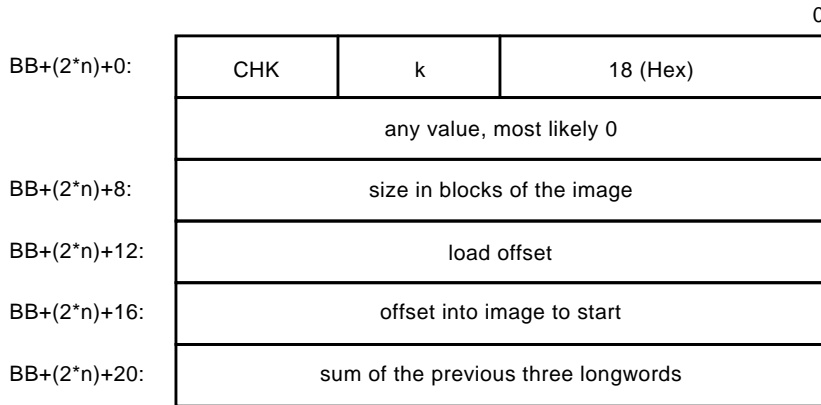
System Initialization and Acceptance Testing (Normal Operation)

4.7 Operating System Bootstrap

Figure 4-5 Boot Block Format



(The next segment is also used as a PROM "signature block.")



Where: 1) the 18 (hex) indicates this is a VAX instruction set
 2) 18 (hex) + "k" = the one's complement if "CHK"

MLO-008457

4.7.3.2 PROM Bootstrap Procedure

The PROM bootstrap uses a variant of the boot block mechanism. VMB searches for a valid PROM "signature block", the second segment of the boot block defined in Figure 4-5. If PRA0 is the selected "device", then VMB searches through Q22-bus memory on 16 KB boundaries. If the selected "device" is PRB0, VMB checks the top 4096 byte block of the FEPR0M.

At each boundary, VMB :

1. Validates the readability of that Q22-bus memory page.
2. If readable, checks to see if it contains a valid PROM signature block.

If verification passes, the PROM image will be copied into main memory and VMB will transfer control to that image at the offset specified in the PROM bootblock. If not, the next page will be tested.

System Initialization and Acceptance Testing (Normal Operation)

4.7 Operating System Bootstrap

Note that it is not necessary that the boot image actually reside in PROM. Any boot image in Q22-bus memory space with a valid signature block on a 16 KB boundary is a candidate. Indeed, auxiliary bootstrap assumes that the image is in shared memory.

The PROM image is copied into main memory in 127 page "chunks" until the entire PROM is moved. All destination pages beyond the primary 128 KB block are verified to make sure they are marked good in the PFN bitmap. The PROM must be copied contiguously and if all required pages cannot fit into the memory immediately following the VMB image, the boot fails.

4.7.3.3 MOP Ethernet Functions and Network Bootstrap Procedure

Whenever a network bootstrap is selected on KA681/KA691/KA692/KA694, the VMB code makes continuous attempts to boot from the network. VMB uses the DNA Maintenance Operations Protocol (MOP) as the transport protocol for network bootstraps and other network operations. Once a network boot has been invoked, VMB turns on the designated network link and repeats load attempt, until either a successful boot occurs, a fatal controller error occurs, or VMB is halted from the operator console.

The KA681/KA691/KA692/KA694 support the load of a standard operating system, a diagnostic image, or a user-designated program via network bootstraps. The default image is the standard operating system, however, a user may select an alternate image by setting either the RPB\$V_DIAG bit or in the RPB\$V_SOLICIT bit in the boot flag longword R5. Note that the RPB\$V_SOLICIT bit has precedence over the RPB\$V_DIAG bit. Hence, if both bits are set, then the solicited file is requested.

Note

VMB accepts a maximum 39 characters for a file specification for solicited boots. However, MOP V3 only supports a 16-character file name. If the network server is running the OpenVMS operating system, the following defaults apply to the file specification: the directory MOM\$LOAD:, and the extension .SYS. Therefore, the file specification need only consist of the filename if the default directory and extension attributes are used.

The KA681/KA691/KA692/KA694 VMB uses the MOP program load sequence for bootstrapping the module and the MOP "dump/load" protocol type for load related message exchanges. The types of MOP message used in the exchange are listed in Table 4-5 and Table 4-6.

System Initialization and Acceptance Testing (Normal Operation)

4.7 Operating System Bootstrap

VMB, the requester, starts by sending a REQ_PROGRAM message to the MOP 'dump/load' multicast address. It then waits for a response in the form of a VOLUNTEER message from another node on the network, the MOP server. If a response is received, then the destination address is changed from the multicast address to the node address of the server and the same REQ_PROGRAM message is retransmitted to the server as an Acknowledge.

Next, VMB begins sending REQ_MEM_LOAD messages to the server. The server responds with either:

- MEM_LOAD message, while there is still more to load.
- MEM_LOAD_w_XFER, if it is the end of the image.
- PARAM_LOAD_w_XFER, if it is the end of the image and operating system parameters are required.

The "load number" field in the load messages is used to synchronize the load sequence. At the beginning of the exchange, both the requester and server initialize the load number. The requester only increments the load number if a load packet has been successfully received and loaded. This forms the Acknowledge to each exchange. The server will resend a packet with a specific load number, until it sees the load number incremented. The final Acknowledge is sent by the requester and has a load number equivalent to the load number of the appropriate LOAD_w_XFER message + 1.

Because the request for load assistance is a MOP "must transact" operation, the network bootstrap continues indefinitely until a volunteer is found. The REQ_PROGRAM message is sent out in bursts of eight at four-second intervals, the first four in MOP Version four IEEE 802.3 format and the last four in MOP Version 3 Ethernet format. The backoff period between bursts doubles each cycle from an initial value of four seconds, to eight seconds, ... up to a maximum of five minutes. However, to reduce the likelihood of many nodes posting requests in lock-step, a random "jitter" is applied to the backoff period. The actual backoff time is computed as $(.75 + (.5 * \text{RND}(x))) * \text{BACKOFF}$, where $0 \leq x < 1$.

4.7.3.4 Network "Listening"

While the CPU module is waiting for a load volunteer during bootstrap, it "listens" on the network for other maintenance messages directed to the node and periodically identifies itself at the end of each 8- to 12-minute interval before a bootstrap retry. In particular, this "listener" supplements the Maintenance Operation Protocol (MOP) functions of the VMB load requester typically found in bootstrap firmware and supports.

System Initialization and Acceptance Testing (Normal Operation)

4.7 Operating System Bootstrap

- A remote console server that generates COUNTERS messages in response to REQ_COUNTERS messages, unsolicited SYSTEM_ID messages every 8 to 12 minutes, and solicited SYSTEM_ID messages in response to REQUEST_ID messages, as well as recognition of BOOT messages.
- A loopback server that responds to Ethernet loopback messages by echoing the message to the requester.
- An IEEE 802.2 responder that replies to both XID and TEST messages.

During network bootstrap operation, the KA681/KA691/KA692/KA694 complies with the requirements defined in the "NI Node Architecture Specification" for a primitive node. The firmware listens only to MOP "Load/Dump", MOP "Remote Console", Ethernet "Loopback Assistance", and IEEE 802.3 XID/TEST messages (listed in Table 4–7) directed to the Ethernet physical address of the node. All other Ethernet protocols are filtered by the network device driver.

The MOP functions and message types, that are supported by the KA681/KA691/KA692/KA694 are summarized in Tables 4–5 and 4–7.

System Initialization and Acceptance Testing (Normal Operation) 4.7 Operating System Bootstrap

Table 4–5 Network Maintenance Operations Summary

Function	Role	Transmit		Receive
MOP Ethernet and IEEE 802.3 Messages¹				
Dump	Requester	—		—
	Server	—		—
Load	Requester	REQ_PROGRAM ²	to solicit	VOLUNTEER
		REQ_MEM_LOAD	to solicit & ACK	MEM_LOAD
			or	MEM_LOAD_w_XFER
		or	PARAM_LOAD_w_XFER	
	Server	—		—
Console	Requester	—		—
	Server	COUNTERS	in response to	REQ_COUNTERS
		SYSTEM_ID ³	in response to	REQUEST_ID BOOT
Loopback	Requester	—		—
	Server	LOOPED_DATA ⁴	in response to	LOOP_DATA

¹All unsolicited messages are sent in Ethernet (MOP V3) and IEEE 802.2 (MOP V4), until the MOP version of the server is known. All solicited messages are sent in the format used for the request.

²The initial REQ_PROGRAM message is sent to the dumpload multicast address. If an assistance VOLUNTEER message is received, then the responder's address is used as the destination to repeat the REQ_PROGRAM message and for all subsequent REQ_MEM_LOAD messages.

³SYSTEM_ID messages are sent out every 8 to 12 minutes to the remote console multicast address and, on receipt of a REQUEST_ID message, they are sent to the initiator.

⁴LOOPED_DATA messages are sent out in response to LOOP_DATA messages. These messages are actually in Ethernet LOOP TEST format, not in MOP format, and when sent in Ethernet frames, omit the additional length field (padding is disabled).

(continued on next page)

System Initialization and Acceptance Testing (Normal Operation)
4.7 Operating System Bootstrap

Table 4–5 (Cont.) Network Maintenance Operations Summary

Function	Role	Transmit		Receive
IEEE 802.3 Messages⁵				
Exchange ID	Requester	—		—
	Server	XID_RSP	in response to	XID_CMD
Test	Requester	—		—
	Server	TEST_RSP	in response to	TEST_CMD

⁵IEEE 802.2 support of XID and TEST is limited to Class 1 operations.

Table 4–6 Supported MOP Messages

Message Type	Message Fields						
DUMP/LOAD							
MEM_LOAD_w_XFER	Code 00	Load # nn	Load addr aa-aa-aa-aa	Image data None		Xfer addr aa-aa-aa-aa	
MEM_LOAD	Code 02	Load # nn	Load addr aa-aa-aa-aa	Image data dd-...			
REQ_PROGRAM	Code 08	Device 25 LQA 49 SGEC	Format 01 V3 04 V4	Program 02 Sys	SW ID ³ C-17 ¹ C-128 ² If C[1] >00 Len 00 No ID FF OS FE Maint	Procesr 00 Sys	Info (see SYSTEM_ ID)

¹MOP V3.0 only.

²MOP x4.0 only.

³Software ID field is load from the string stored in the 40 byte field, RPB\$T_FILE, of the RPB on a solicited boot.

(continued on next page)

**System Initialization and Acceptance Testing (Normal Operation)
4.7 Operating System Bootstrap**

Table 4–6 (Cont.) Supported MOP Messages

Message Type		Message Fields				
DUMP/LOAD						
REQ_MEM_LOAD	Code 0A	Load # nn	Error ee			
PARAM_LOAD_w_XFER	Code 14	Load # nn	Prm typ 01 02 03 04 05 06 00	Prm len I-16 I-06 I-16 I-06 0A 08	Prm val Target name ¹ Target addr ¹ Host name ¹ Host addr ¹ Host time ¹ Host time ² End	Xfer addr aa-aa-aa- aa
VOLUNTEER	Code 03					
REMOTE CONSOLE						
REQUEST_ID	Code 05	Rsrvd xx	Recpt # nn-nn			
SYSTEM_ID	Code 07	Rsrvd xx	Recpt # nn-nn or 00-00	Info type 01-00 Version 02-00 Functions 07-00 HW addr 64-00 Device 90-01 Datalink 91-01 Bufr size	Info len 03 02 06 01 01 02	Info value 04-00-00 00-59 ee-ee-ee- ee-ee-ee 25 or 49 01 06-04
REQ_COUNTERS	Code 09	Recpt # nn-nn				

¹MOP V3.0 only.

²MOP x4.0 only.

(continued on next page)

System Initialization and Acceptance Testing (Normal Operation)

4.7 Operating System Bootstrap

Table 4–6 (Cont.) Supported MOP Messages

Message Type	Message Fields						
REMOTE CONSOLE							
COUNTERS	Code 0B	Recpt # nn-nn	Counter block				
BOOT ⁴	Code 06	Verification vv- vv-vv- vv-vv- vv-vv-vv	Procesr 00 Sys	Control xx	Dev ID C-17	SW ID ³ (see REQ_ PROGRAM)	Script ID ² C-128
LOOPBACK							
LOOP_DATA	Skpcent nn-nn	Skipped bytes bb-...	Function 00-02 Forward data		Forward addr ee-ee- ee-ee- ee-ee	Data dd-...	
LOOPED_DATA	Skpcent nn-nn	Skipped bytes bb-...	Function 00-01 Reply		Recpt # nn-nn	Data dd-...	
IEEE 802.2							
XID_CMD/RSP	Form 81	Class 01	Rx window size (K) 00				
TEST_CMD/RSP	Optional data.						

²MOP x4.0 only.

³Software ID field is load from the string stored in the 40 byte field, RPB\$T_FILE, of the RPB on a solicited boot.

⁴A BOOT message is not verified, because in this context, a boot is already in progress. However, a received BOOT message will cause the boot backoff timer to be reset to it's minimum value.

System Initialization and Acceptance Testing (Normal Operation)

4.7 Operating System Bootstrap

Table 4–7 MOP Multicast Addresses and Protocol Specifiers

Function	Address	IEEE Prefix ¹	Protocol	Owner
Dump/Load	AB-00-00-01-00-00	08-00-2B	60-01	Digital
Remote Console	AB-00-00-02-00-00	08-00-2B	60-02	Digital
Loopback Assistance	CF-00-00-00-00-00 ²	08-00-2B	90-00	Digital

¹MOP V4.0 only.
²Not used.

4.8 Operating System Restart

An *operating system restart* is the process of bringing up the operating system from a known initialization state following a processor halt. This procedure is often called *restart* or *warmstart*, and should not be confused with a processor restart which results in firmware entry.

On the KA681/KA691/KA692/KA694 a restart occurs if the conditions specified in Table 3–5 are satisfied.

To restart a halted operating system, the firmware searches system memory for the Restart Parameter Block (RPB), a data structure constructed for this purpose by VMB. (Refer to Table D–2 in Appendix D for a detailed description of this data structure.) If a valid RPB is found, the firmware passes control to the operating system at an address specified in the RPB.

The firmware keeps a "restart in progress" (RIP) flag in CPMBX that it uses to avoid repeated attempts to restart a failing operating system. An additional "restart in progress" flag is maintained by the operating system in the RPB.

The firmware uses the following algorithm to restart the operating system:

1. Check CPMBX<3>(RIP). If it is set, restart fails.
2. Print the message "Restarting system software." on the console terminal.
3. Set CPMBX<3>(RIP).
4. Search for a valid RPB. If none is found, restart fails.
5. Check the operating system RPB\$L_RSTRTFLG<0>(RIP) flag. If it is set, restart fails.
6. Write "0" on the diagnostic LEDs.

System Initialization and Acceptance Testing (Normal Operation)

4.8 Operating System Restart

7. Dispatch to the restart address, RPB\$L_RESTART, with :

SP	Physical address of the RPB plus 512
AP	Halt code
PSL	041F0000
PR\$_MAPEN	0

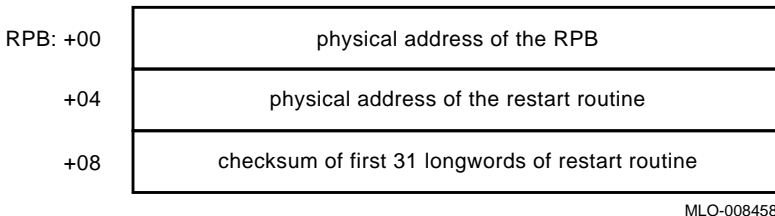
If the restart is successful, the operating system must clear CPMBX<3>(RIP).

If restart fails, the firmware prints "Restart failure." on the system console.

4.8.1 Locating the RPB

The RPB is a page-aligned control block which can be identified by the first three longwords. The format of the RPB "signature" is shown in Figure 4–6. (Refer to Table D–2 in Appendix D for a complete description of the RPB.)

Figure 4–6 Locating the Restart Parameter Block



The firmware uses the following algorithm to find a valid RPB:

1. Search for a page of memory that contains its address in the first longword. If none is found, the search for a valid RPB has failed.
2. Read the second longword in the page (the physical address of the restart routine). If it is not a valid physical address, or if it is zero, return to step 1. The check for zero is necessary to ensure that a page of zeros does not pass the test for a valid RPB.
3. Calculate the 32 bit twos-complement sum (ignoring overflows) of the first 31 longwords of the restart routine. If the sum does not match the third longword of the RPB, return to step 1.
4. A valid RPB has been found.

System Troubleshooting and Diagnostics

This chapter provides troubleshooting information for the two primary diagnostic methods: online, interpreting error logs to isolate the FRU; and offline, interpreting ROM-based diagnostic messages to isolate the FRU.

In addition, the chapter provides information on testing DSSI storage devices, using MOP Ethernet functions to isolate errors, and interpreting UETP failures.

The chapter concludes with a section on running loopback tests to test the console port, embedded Ethernet ports, Embedded DSSI buses, and Q-bus modules.

5.1 Basic Troubleshooting Flow

Before troubleshooting any system problem, check the site maintenance log for the system's service history. Be sure to ask the system manager the following questions:

- Has the system been used before and did it work correctly?
- Have changes (changes to hardware, updates to firmware or software) been made to the system recently?
- What is the state of the system—is it online or offline?

If the system is offline and you are not able to bring it up, use the offline diagnostic tools, such as RBDs, MDM, and LEDs.

If the system is online, use the online diagnostic tools, such as error logs, crash dumps, UETP, and other log files.

Four common problems occur when you make a change to the system:

1. Incorrect cabling
2. Module configuration errors (incorrect CSR addresses and interrupt vectors)
3. Incorrect grant continuity

System Troubleshooting and Diagnostics

5.1 Basic Troubleshooting Flow

4. Incorrect bus node ID plugs

In addition, check the following:

- If you have received error notification using VAXsimPLUS, check the mail messages and error logs as described in Section 5.2.
- If the operating system fails to boot (or appears to fail), check the console terminal screen for an error message. If the terminal displays an error message, see Section 5.3.
- Check the LEDs on the device you suspect is bad. If no errors are indicated by the device LEDs, run the ROM-based diagnostics described in this chapter.
- If the system boots successfully, but a device seems to fail or an intermittent failure occurs, check the error log ([SYSERR]ERRLOG.SYS) as described in Section 5.2.
- For fatal errors, check that the crash dump file exists for further analysis ([SYSEXE]SYSDUMP.DMP).
- Check other log files, such as OPERATOR.LOG, OPCOM.LOG, SETHOST.LOG, etc. Many of these can be found in the [SYSMGR] account. SETHOST.LOG is useful in comparing the console output with event logs and crash dumps in order to see what the system was doing at the time of the error.

Use the following command to create SETHOST.LOG files, then log into the system account.

```
$ SET HOST/LOG 0
```

After you log out, this file will reside in the [SYSMGR] account.

If the system is failing in the boot or start-up phase, it may be useful to include the command SET VERIFY in the front of various start-up .COM files to obtain a trace of the start-up commands and procedures.

When troubleshooting, note the status of cables and connectors before you perform each step. Label cables before you disconnect them. This step saves you time and prevents you from introducing new problems.

Most communications modules use floating CSR addresses and interrupt vectors. If you remove a module from the system, you may have to change the addresses and vectors of other modules.

System Troubleshooting and Diagnostics

5.1 Basic Troubleshooting Flow

If you change the system configuration, run the CONFIGURE utility at the console I/O prompt (>>>) to determine the CSR addresses and interrupt vectors recommended by Digital. These recommended values simplify the use of the MDM diagnostic package and are compatible with OpenVMS device drivers. You can select nonstandard addresses, but they require a special setup for use with OpenVMS drivers and MDM. See the *MicroVAX Diagnostic Monitor User's Guide* for information about the CONNECT and IGNORE commands, which are used to set up MDM for testing nonstandard configurations.

In addition, see Table 5-1 and Table 5-2 for possible problems and power supply status indicators.

Table 5-1 Console Terminal/Console Module Problems

Problem	First Steps
No Console Message	<p>Check the Power switch on both the console terminal and the system. If the terminal has a DC OK LED, be sure it is lit.</p> <p>Check the cabling to the console terminal.</p> <p>Check the terminal setup.</p> <p>Check the power supply status indicators. See Table 5-2.</p> <p>Check fuse F2 on the console model. See Section 5.7.</p>
H3604 Display Off	Check the CPU module LEDs and the H3604 cabling.
H3604 Displays Error	See Table 5-9 to determine error status.

Table 5-2 Power Supply Status Indicators

AC Present	DC OK	Over Temp	Fan Failure	Probable Cause
Off	Off	Off	Off	System not plugged in, ac source not present, or system circuit breaker tripped.
On	Off	Off	Off	Overcurrent or overvoltage protection circuits activated.
On	Off	On	Off	Excessive ambient temp; air vents blocked
On	Off	Off	On	Failure of one or both system fans
On	On	Off	Off	Normal operation

System Troubleshooting and Diagnostics

5.2 Product Fault Management and Symptom-Directed Diagnosis

5.2 Product Fault Management and Symptom-Directed Diagnosis

This section describes how errors are handled by the microcode and software, how the errors are logged, and how, through the Symptom-Directed Diagnosis (SDD) tool, VAXsimPLUS, errors are brought to the attention of the user. This section also provides the service theory used to interpret error logs to isolate the FRU. Interpreting error logs to isolate the FRU is the primary method of diagnosis.

5.2.1 General Exception and Interrupt Handling

This section describes the first step of error notification: the errors are first handled by the microcode and then are dispatched to the OpenVMS error handler.

The kernel uses the NVAX core chipset: NVAX CPU, NVAX Memory Controller (NMC), and NDAL to CDAL adapter (NCA).

Internal errors within the NVAX CPU result in machine check exceptions, through System Control Block (SCB) vector 004, or soft error interrupts at Interrupt Priority Level (IPL) 1A, SCB vector 054 hex.

External errors to the NVAX CPU, which are detected by the NMC or NDAL to CDAL adapter (NCA), usually result in these chips posting an error condition to the NVAX CPU. The NVAX CPU will then generate a machine check exception through SCB vector 004, hard error interrupt, IPL 1D, through SCB vector 060 (hex), or a soft error interrupt through SCB vector 054.

External errors to the NMC and NCA, which are detected by chips on the CDAL buses for transactions that originated on the NVAX CPU, are typically signaled back to the NCA adapter. The NCA adapter will post an error signal back to the NVAX CPU, which generates a machine check or high level interrupt.

In the case of Direct Memory Access (DMA) transactions where the NCA or NMC detects the error, the errors are typically signaled back to the CDAL-Bus device, but not posted to the NVAX CPU. In these cases the CDAL-Bus device typically posts a device level interrupt to the NVAX CPU via the NCA. In almost all cases, error state is latched by the NMC and NCA. Although these errors won't result in a machine check exception or high level interrupt (i.e., results in device level IPL 14–17 versus error level IPL 1A, 1D), the OpenVMS machine check handler has a polling routine that will search for this state at one-second intervals. This will result in the host's logging a polled error entry.

System Troubleshooting and Diagnostics

5.2 Product Fault Management and Symptom-Directed Diagnosis

These conditions cover all of the cases which will eventually be handled by the OpenVMS error handler. The OpenVMS error handler will generate entries that correspond to the machine check exception, hard or soft error interrupt type, or polled error.

5.2.2 OpenVMS Operating System Error Handling

Upon detection of a machine check exception, hard error interrupt, soft error interrupt or polled error, the OpenVMS operating system will perform the following actions:

- Snapshot the state of the kernel.
- In most entry points, disable the caches.
- If it is a machine check and if the machine check is recoverable, determine if instruction retry is possible.

Instruction retry is possible if one of the following conditions is true:

1. If `PCSTS <10>PTE_ER = 0`:

Check that `(ISTATE2 <07>VR = 1)` or `(PSL <27> FPD = 1)`

Otherwise crash the system or process depending on `PSL <25:24>` Current Mode.

2. If `PCSTS <10>PTE_ER = 1`:

Check that `(ISTATE2 <07>VR = 1)` and `(PSL <27>FPD = 0)` and `(PCSTS <09>PTE_ER_WR = 0)`

Otherwise crash the system.

`ISTATE2` is a longword in the machine check stack frame at offset `(SP)+24`; `PSL` is a longword in the machine check stack frame at offset `(SP)+32`; `VR` is the VAX Restart flag; and `FPD` is the First Part Done flag.

- Check to see if the threshold has been exceeded for various errors (typically the threshold is exceeded if 3 errors occur within a 10 minute interval).
- If the threshold has been exceeded for a particular type of cache error, mark a flag that will signify that this resource is to be disabled (the cache will be disabled in most, but not all, cases).
- Update the `SYSTAT` software register with results of error/fault handling.
- For memory uncorrectable Error Correction Code (ECC) errors:
 - If machine check, mark page bad and attempt to replace page.
 - Fill in `MEMCON` software register with memory configuration and error status for use in FRU isolation.

System Troubleshooting and Diagnostics

5.2 Product Fault Management and Symptom-Directed Diagnosis

- For memory single-bit correctable ECC errors:
 - Fill in Corrected Read Data (CRD) entry FOOTPRINT with set, bank, and syndrome information for use in FRU isolation.
 - Update the CRD entry for time, address range, and count; fill the MEMCON software register with memory configuration information.
 - Scrub memory location for first occurrence of error within a particular footprint. If second or more occurrence within a footprint, mark page bad in hopes that page will be replaced later. Disable soft error logging for 10 minutes if threshold is exceeded.
 - Signify that CRD buffer be logged for the following events: system shutdown (operator shutdown or crash), hard single-cell address within footprint, multiple addresses within footprint, memory uncorrectable ECC error, or CRD buffer full.
- For ownership memory correctable ECC error, scrub location.
- Log error.
- Crash process or system, dependent upon PSL (Current Mode) with a fatal bugcheck for the following situations:
 - Retry is not possible.
 - Memory page could not be replaced for uncorrectable ECC memory error.
 - Uncorrectable tag store ECC errors present in writeback cache.
 - Uncorrectable data store ECC errors present in writeback cache for locations marked as OWNED.
 - Most INT60 errors.
 - Threshold is exceeded (except for cache errors).
 - A few other errors of the sort considered nonrecoverable are present.
- Disable cache(s) permanently if error threshold is exceeded.
- Flush and re-enable those caches which have been marked as good.
- Clear the error flags.

System Troubleshooting and Diagnostics

5.2 Product Fault Management and Symptom-Directed Diagnosis

- Perform Return from Exception or Interrupt (REI) to recover and restart or continue the instruction stream for the following situations:
 - Most INT54 errors.
 - Those INT60 and INT54 errors which result in bad ECC written to a memory location. (These errors can provide clues that the problem is not memory related.)
 - Machine check conditions where instruction retry is possible.
 - Memory uncorrectable ECC error where page replacement is possible and instruction retry is possible.
 - Threshold exceeded (for cache errors only).
 - Return from Subroutine (RSB) and return from all polled errors.

Note

The results of the OpenVMS error handler may be preserved within the operating system session (for example, disabling a cache) but not across reboots.

Although the system can recover with cache disabled, the system performance will be degraded, since access time increases as available cache decreases.

5.2.3 OpenVMS Error Logging and Event Log Entry Format

The OpenVMS error handler for the kernel can generate six different entry types, as shown in Table 5–3. All error entry types, with the exception of correctable ECC memory errors, are logged immediately.

Table 5–3 OpenVMS Operating System Error Handler Entry Types

OpenVMS Entry Type	Code	Description
EMB\$C_MC	(002.)	Machine Check Exception SCB Vector 4, IPL 1F
EMB\$C_SE	(006.)	Soft Error Interrupt Correctable ECC Memory Error SCB Vector 54, IPL 1A

(continued on next page)

System Troubleshooting and Diagnostics

5.2 Product Fault Management and Symptom-Directed Diagnosis

Table 5–3 (Cont.) OpenVMS Operating System Error Handler Entry Types

OpenVMS Entry Type	Code	Description
EMB\$C_INT54	(026.)	Soft Error Interrupt SCB Vector 54, IPL 1A
EMB\$C_INT60	(027.)	Hard Error Interrupt 60 SCB Vector 60, IPL 1D
EMB\$C_POLLED	(044.)	Polled Errors No exception or interrupt generated by hardware.
EMB\$C_BUGCHECK		Fatal bugcheck Bugcheck Types: MACHINECHK ASYNCWRTER BADMCKCOD INCONSTATE UNXINTEXC

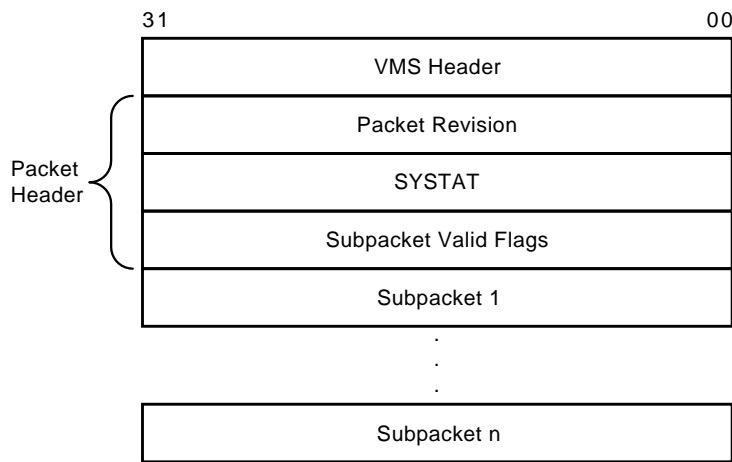
Each entry consists of an OpenVMS header, a packet header, and one or more subpackets (Figure 5–1). Entries can be of variable length based on the number of subpackets within the entry. The **FLAGS** software register in the packet header shows which subpackets are included within a given entry.

Refer to Section 5.2.4 for actual examples of the error and event logs described throughout this section.

System Troubleshooting and Diagnostics

5.2 Product Fault Management and Symptom-Directed Diagnosis

Figure 5-1 Event Log Entry Format



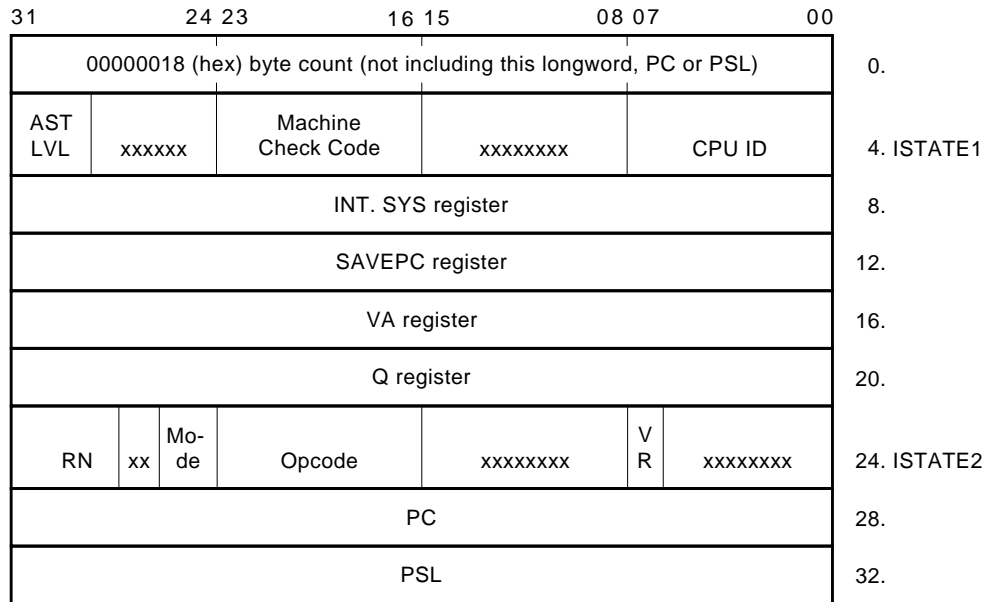
MLO-007263

Machine check exception entries contain, at a minimum, a Machine Check Stack Frame subpacket (Figure 5-2).

System Troubleshooting and Diagnostics

5.2 Product Fault Management and Symptom-Directed Diagnosis

Figure 5–2 Machine Check Stack Frame Subpacket



MLO-007264

INT54, INT60, Polled, and some Machine Check entries contain a processor Register subpacket (Figure 5–3), which consists of some 40 plus hardware registers.

System Troubleshooting and Diagnostics

5.2 Product Fault Management and Symptom-Directed Diagnosis

Figure 5–3 Processor Register Subpacket

31		00		31		00
	BPCR (IPR D4)	0.		MMEADR (IPR E8)		92.
	PAMODE (IPR E7)	4.		VMAR (IPR D0)		96.
	MMEPTE (IPR E9)	8.		TBADR (IPR EC)		100.
	MMESTS (IPR EA)	12.		PCADR (IPR F2)		104.
	PCSCR (IPR 7C)	16.		BCEDIDX (IPR A7)		108.
	ICSR (IPR D3)	20.		BCEDECC (IPR A8)		112.
	ECR (IPR 7D)	24.		BCETIDX (IPR A4)		116.
	TBSTS (IPR ED)	28.		BCETAG (IPR A5)		120.
	PCCTL (IPR F8)	32.		MEAR (2101.8040)		124.
	PCSTS (IPR F4)	36.		MOAMR (2101.804C)		128.
	CCTL (IPR A0)	40.		CSEAR1 (2102.0008)		132.
	BCEDSTS (IPR A6)	44.		CSEAR2 (2102.000C)		136.
	BCETSTS (IPR A3)	48.		CIOEAR1 (2102.0010)		140.
	MESR (2101.8044)	52.		CIOEAR2 (2102.0014)		144.
	MMCDJR (2101.8048)	56.		CNEAR (2102.0018)		148.
	CESR (2102.0000)	60.		CEFDAR (IPR AB)		152.
	CMCDJR (2102.0004)	64.		NEOADR (IPR B0)		156.
	CEFSTS (IPR AC)	68.		NEDATHI (IPR B4)		160.
	NESTS (IPR AE)	72.		NEDATLO (IPR B6)		164.
	NEOCMD (IPR B2)	76.		QBEAR (2008.0008)		168.
	NEICMD (IPR B8)	80.		DEAR (2008.000C)		172.
	DSEAR (2008.0004)	84.		IPCR0 (2000.1F40)		176.
	CBTCR (2014.0020)	88.				

MLO-007265

Note

The byte count, although part of the stack frame, is not included in the error log entry itself.

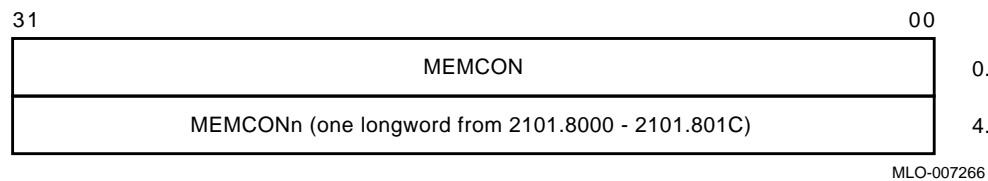
Bugcheck entries generated by the OpenVMS kernel error handler include the first 23 registers from the processor Register subpacket along with the Time of Day Register (TODR) and other software context state.

System Troubleshooting and Diagnostics

5.2 Product Fault Management and Symptom-Directed Diagnosis

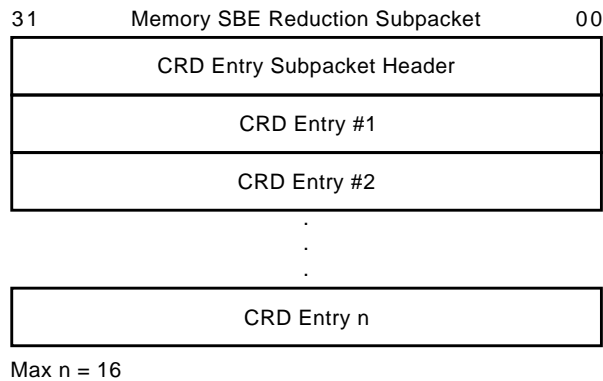
Uncorrectable ECC memory error entries include a Memory subpacket (Figure 5–4). The memory subpacket consists of MEMCON, which is a software register containing the memory configuration and error status used for FRU isolation, and MEMCONn, the hardware register that matched the error address in MEAR.

Figure 5–4 Memory Subpacket for ECC Memory Errors



Correctable Memory Error entries have a Memory (Single-Bit Error) SBE Reduction subpacket (Figure 5–5). This subpacket, unlike all others, is of variable length. It consists solely of software registers from state maintained by the error handler, as well as hardware state transformed into a more usable format.

Figure 5–5 Memory SBE Reduction Subpacket (Correctable Memory Errors)



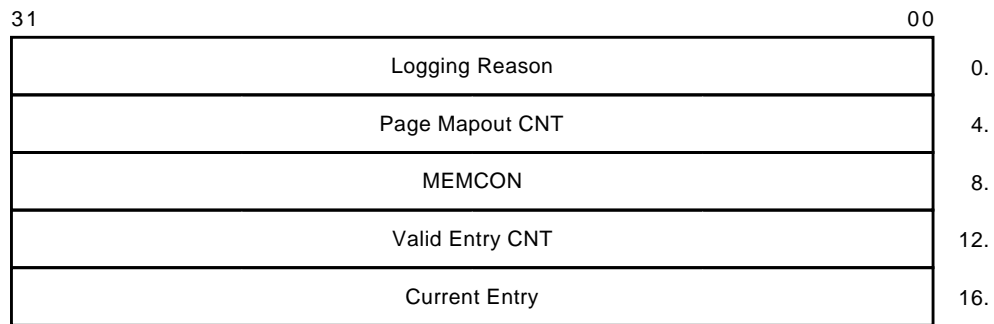
The OpenVMS error handler maintains a Correctable Read Data (CRD) buffer internally within memory that is flushed asynchronously for high-level events to the error log file. The CRD buffer and resultant error log entry are maintained and organized as follows:

System Troubleshooting and Diagnostics

5.2 Product Fault Management and Symptom-Directed Diagnosis

- Each entry has a subpacket header (Figure 5–6) consisting of LOGGING REASON, PAGE MAPOUT CNT, MEMCON, VALID ENTRY CNT, and CURRENT ENTRY. MEMCON contains memory configuration information, but no error status as is done for the Memory subpacket.

Figure 5–6 CRD Entry Subpacket Header



MLO-007268

- Following the subpacket header are 1 to 16 fixed-length Memory CRD Entries (Figure 5–7). The number of Memory CRD entries is shown in VALID ENTRY CNT. The entry which caused the report to be generated is in CURRENT ENTRY.

System Troubleshooting and Diagnostics
5.2 Product Fault Management and Symptom-Directed Diagnosis

Figure 5–7 Correctable Read Data (CRD) Entry

31	00
Footprint	0.
Status	4.
CRD CNT	8.
Pages Marked Bad CNT	12.
First Event	16.
Last Event	24.
Lowest Address	32.
Highest Address	36.

MLO-007269

Each Memory CRD Entry represents one unique DRAM within the memory subsystem. A unique set, bank, and syndrome are stored in footprint to construct a unique ID for the DRAM.

Rather than logging an error for each occurrence of a single symbol correctable ECC memory error, the OpenVMS error handler maintains the CRD buffer—it creates a Memory CRD Entry for new footprints and updates an existing Memory CRD Entry for errors that occur within the range specified by the ID in FOOTPRINT. This reduces the amount of data logged overall without losing important information—errors are logged per unique failure mode rather than on a per error basis.

Each Memory CRD entry consists of a FOOTPRINT, STATUS, CRD CNT, PAGE MAPOUT CNT, FIRST EVENT, LAST EVENT, LOWEST ADDRESS and HIGHEST ADDRESS.

FIRST EVENT, LAST EVENT, LOWEST ADDRESS and HIGHEST ADDRESS are updated to show the range of time and addresses of errors which have occurred for a DRAM. CRD CNT is simply the total count per footprint. PAGE MAPOUT CNT is the number of pages that have been marked bad for a particular DRAM.

System Troubleshooting and Diagnostics

5.2 Product Fault Management and Symptom-Directed Diagnosis

STATUS contains a record of the failure mode status of a particular DRAM over time. This in turn determines whether or not the CRD buffer is logged. For the first occurrence of an error within a particular DRAM, the memory location will be scrubbed (corrected read data is read, then written back to the memory location) and CRD CNT will be set to 1. Since most memory single-bit errors are transient due to alpha particles, logging of the CRD buffer will not be done immediately for the first occurrence of an error within a DRAM. The CRD buffer will, however, be logged at the time of system shutdown (operator or crash induced), or when a more severe memory subsystem error occurs.

If the FOOTPRINT/DRAM experiences another error (CRD CNT > 1), the OpenVMS operating system will set HARD SINGLE ADDRESS or MULTIPLE ADDRESSES along with SCRUBBED in STATUS. Scrubbing is no longer performed; instead, pages are marked bad. In this case, the OpenVMS operating system will log the CRD buffer immediately. The CRD Buffer will also be logged immediately if PAGE MAPOUT THRESHOLD EXCEEDED is set in SYSTAT as a result of pages being marked bad. The threshold is reached if more than one page per Mbyte of system memory is marked bad.

Note

CURRENT ENTRY will be zero in the Memory SBE Reduction subpacket header if the CRD buffer was logged, not as a result of a HARD SINGLE ADDRESS or MULTIPLE ADDRESSES error in STATUS, but as a result of a memory uncorrectable ECC error shown as RELATED ERROR, or as a result of CRD BUFFER FULL or SYSTEM SHUTDOWN, all of which are shown under LOGGING REASON.

5.2.4 OpenVMS Operating System Event Record Translation

The kernel error log entries are translated from binary to ASCII using the ANALYZE/ERROR command. To invoke the error log utility, enter the DCL command ANALYZE/ERROR_LOG.

Format:

ANALYZE_ERROR_LOG [/qualifier(s)] [file-spec] [,...]

Example:

\$ ANALYZE/ERROR_LOG/INCLUDE=(CPU,MEMORY)/SINCE=TODAY

System Troubleshooting and Diagnostics

5.2 Product Fault Management and Symptom-Directed Diagnosis

The error log utility translates the entry into the traditional three-column format. The first column shows the register mnemonics, the second column depicts the data in hex, and the last column shows the actual English translations.

As in the above example, the OpenVMS error handler also provides support for the `/INCLUDE` qualifier, such that CPU and MEMORY error entries can be selectively translated.

Since most kernel errors are bounded to either the processor module/system board or memory modules, the individual error flags and fields are not covered by the service theory. Although these flags are generally not required to diagnose a system to the FRU (Field Replaceable Unit), this information can be useful for component isolation.

ERF bit to text translation highlights all error flags that are set, and other significant state—these are displayed in capital letters in the third column. Otherwise, nothing is shown in the translation column. The translation rules also have qualifiers such that if the setting of an error flag causes other registers to be latched, the other registers will be translated as well. For example, if a memory ECC error occurs, the syndrome and error address fields will be latched as well. If such a field is valid, the translation will be shown (e.g., MEMORY ERROR ADDRESS); otherwise, no translation is provided.

5.2.5 Interpreting CPU Faults Using ANALYZE/ERROR

If the following three conditions are satisfied, the most likely FRU is the CPU module. Example 5–1 shows an abbreviated error log with numbers to highlight the key registers.

- ❶ No memory subpacket is listed in the third column of the FLAGS register.
- ❷ CESR register bit <09>, CP2 IO Error, is equal to zero in the KA681/KA691 /KA692/KA694 Register Subpacket.
- ❸ DSER register bits <07>, Q22–Bus NXM, <05>, Q22–Bus Device Parity Error, or <02>, Q–22 Bus No Grant, are equal to zero in the KA681/KA691 /KA692/KA694 Register Subpacket.

The FLAGS register is located in the packet header, which immediately follows the system identification header; the CESR and DSER registers are listed under the KA681/KA691/KA692/KA694 Register Subpacket.

CPU errors will increment an OpenVMS global counter, which can be viewed using the DCL command `SHOW ERROR`, as shown in Example 5–2.

System Troubleshooting and Diagnostics

5.2 Product Fault Management and Symptom-Directed Diagnosis

To determine if any resources have been disabled, for example, if cache has been disabled for the duration of the OpenVMS session, examine the flags for the SYSTAT register in the packet header.

In Example 5-1, a translation buffer data parity error latched in the TBSTS register caused a machine check exception error.

Example 5-1 Error Log Entry Indicating CPU Error

```
V A X / V M S          SYSTEM ERROR REPORT          COMPILED 12-JUN-1993 18:55:52
                                     PAGE 1.
***** ENTRY          1. *****
ERROR SEQUENCE 11.          LOGGED ON:          SID 13000202
DATE/TIME 06-JUN-1993 14:40:10.85          SYS_TYPE 01390601
SYSTEM UPTIME: 0 DAYS 00:12:12
SCS NODE: OMEGA1          VAX/OpenVMS V5.5-2HW

MACHINE CHECK KA692-A CPU FW REV# 2.  CONSOLE FW REV# 3.9
  REVISION          00000000
  SYSTAT            00000001
  FLAGS              00000003
  ATTEMPTING RECOVERY
  machine check stack frame
  KA692 subpacket  ❶

STACK FRAME SUBPACKET
  ISTATE_1          80050000
  .
  .
  .
  PSL                04140001
  c-bit
  executing on interrupt stack
  PSL previous mode = kernel
  PSL current mode = kernel
  first part done set

KA692 REGISTER SUBPACKET
```

(continued on next page)

System Troubleshooting and Diagnostics

5.2 Product Fault Management and Symptom-Directed Diagnosis

Example 5–1 (Cont.) Error Log Entry Indicating CPU Error

```

BPCR          ECC80024
.
.
.
TBSTS         800001D3
              LOCK SET
              TRANSLATION BUFFER DATA PARITY ERROR
              em_latch invalid
              s5 command = 1D(X)
              valid Ibox specifier ref. error stored
.
.
.
CESR          00000000 ②
.
.
.
DSER          00000000 ③
.
.
.
IPCR0        00000020
              LOCAL MEMORY EXTERNAL ACCESS ENABLED

```

Note

Ownership (O-bit) memory correctable or fatal errors (MESR <04> or MESR <03> of the processor Register Subpacket set equal to 1) are processor module errors, NOT memory errors.

Example 5–2 SHOW ERROR Display Using the OpenVMS Operating System

```

$ SHOW ERROR
Device          Error Count
CPU             1
MEMORY         1
PAB0:          1
PAA0:          1
PTA0:          1
RTA2:          1
$

```

System Troubleshooting and Diagnostics

5.2 Product Fault Management and Symptom-Directed Diagnosis

5.2.6 Interpreting Memory Faults Using ANALYZE/ERROR

If "memory subpacket" or "memory sbe reduction subpacket" is listed in the third column of the FLAGS register, there is a problem with one or more of the memory modules, CPU module, or backplane.

- The "memory subpacket" message indicates an uncorrectable ECC error. Refer to Section 5.2.6.1 for instructions in isolating uncorrectable ECC error problems.
- The "memory sbe reduction subpacket" message indicates correctable ECC errors. Refer to Section 5.2.6.2 for instructions in isolating correctable ECC error problems.

Note

The memory fault interpretation procedures work only if the memory modules have been properly installed and configured. For example, memory modules should start in backplane slot 4 (next to the processor module in slot 5) and proceed to slot 1 with no gaps.

Note

Although the OpenVMS error handler has built-in features to aid Services in memory repair, good judgment is needed by the Service Engineer. It is essential to understand that in many, if not most cases, correctable ECC errors are transient in nature. No amount of repair will fix them, as generally there is nothing to be fixed.

Memory modules can represent a great expense to the Corporation when they are sent back to Repair with no errors. If one disagrees with the strategy in this section or has questions or suggestions, please contact Corporate Support.

5.2.6.1 Uncorrectable ECC Errors

Refer to Example 5–3, which provides an abbreviated error log for uncorrectable ECC errors.

For uncorrectable ECC errors, a memory subpacket will be logged as indicated by "memory subpacket" listed in the third column of the FLAGS software register (❶). Also, the hardware register MESR <11> (❷) of the processor Register Subpacket will be set equal to 1, and MEAR will latch the error address (❸).

System Troubleshooting and Diagnostics

5.2 Product Fault Management and Symptom-Directed Diagnosis

Examine the MEMCON software register (❸) under the memory subpacket. The MEMCON register provides memory configuration information and a MEMORY ERROR STATUS buffer (❹) that points to the memory module(s) that is the most likely FRU.

Replace the indicated memory module. In Example 5–3 the most likely FRU is indicated as memory module #2, slot 3.

The OpenVMS error handler will mark each page bad and attempt page replacement, indicated in SYSTAT (❺). The DCL command SHOW MEMORY (Example 5–4) will also indicate the result of the OpenVMS operating system page replacement.

Uncorrectable memory errors will increment the OpenVMS global counter, which can be viewed using the DCL command SHOW ERROR.

Note

If register MESR <11> was set equal to 1, but MESR <19:12> syndrome equals 07, no memory subpacket will be logged as a result of incorrect check bits written to memory because of an NDAL bus parity error detected by the NMC. In short, this indicates a problem with the CPU module, not memory. There should be a previous entry with MESR <22>, NDAL Data Parity Error set equal to 1.

Note

One type of uncorrectable ECC error, that due to a “disown write”, will result in a CRD entry like those for correctable ECC errors. The FOOTPRINT longword for this entry contains the message “Uncorrectable ECC errors due to disown write”. The failing module should be replaced for this error.

System Troubleshooting and Diagnostics

5.2 Product Fault Management and Symptom-Directed Diagnosis

Example 5-3 Error Log Entry Indicating Uncorrectable ECC Error

```

V A X / V M S          SYSTEM ERROR REPORT          COMPILED  7-JUN-1993 10:16:49
                                                    PAGE  25.
***** ENTRY          13. *****
ERROR SEQUENCE 2.          LOGGED ON:          SID 13000202
DATE/TIME 4-JUN-1993 09:14:29.86          SYS_TYPE 01390601
SYSTEM UPTIME: 0 DAYS 00:01:39
SCS NODE: OMEGAL          VAX/OpenVMS V5.5-2HW

INT54 ERROR KA692-A CPU FW REV# 2.  CONSOLE FW REV# 3.9
      REVISION          00000000
      SYSTAT            00000601

                                ATTEMPTING RECOVERY
                                PAGE MARKED BAD
                                PAGE REPLACED ⑤
      FLAGS              00000006

                                memory subpacket ①
                                KA680 subpacket

KA692 REGISTER SUBPACKET
      BPCR              ECC80000
      .
      .
      MESR              80006800

                                UNCORRECTABLE MEMORY ECC ERROR ②
                                ERROR SUMMARY
                                MEMORY ERROR SYNDROME = 06(X)

      .
      .
      MEAR              02FFDC00

                                main memory error address = 0BFF7000 ⑥
                                ndal commander id = 00(X)

      .
      .
      IPCR0             00000020

                                LOCAL MEMORY EXTERNAL ACCESS ENABLED

MEMORY SUBPACKET
      MEMCON            0357E53F

                                ③
                                MEMORY CONFIGURATION:
                                _sets enabled = 00111111
                                MS690-BA MEMORY MODULE # 1. 32MB SLOT 4
                                MS690-BA MEMORY MODULE # 2. 32MB SLOT 3
                                MS690-DA MEMORY MODULE # 3. 128MB SLOT 2
                                _total memory = 192MB

```

(continued on next page)

System Troubleshooting and Diagnostics

5.2 Product Fault Management and Symptom-Directed Diagnosis

Example 5–3 (Cont.) Error Log Entry Indicating Uncorrectable ECC Error

```

MEMCON3      8B000003      MEMORY ERROR STATUS: 4
                                     MEMORY MODULE #2 SLOT 3
                                     Bank = 00(X)
                                     Set = 03(X)
                                     64 bit mode
                                     Base address valid
                                     RAM size = 1MB
                                     base address = 0B(X)

```

Example 5–4 SHOW MEMORY Display Under the OpenVMS Operating System

```

$ SHOW MEMORY
System Memory Resources on 05-JUN-1993 05:58:52.58
Physical Memory Usage (pages):
Main Memory (128.00Mb)      Total      Free      In Use    Modified
                             262144    224527    28759    8858
Bad Pages
                             Total      Dynamic  I/O Errors  Static
                             1         1         0         0
Slot Usage (slots):
Process Entry Slots        Total      Free      Resident  Swapped
                             360       347       13         0
Balance Set Slots          324       313       11         0
Fixed-Size Pool Areas (packets):
Small Packet (SRP) List    Total      Free      In Use    Size
                             3067     2724     343     128
I/O Request Packet (IRP) List  2263     2070     193     176
Large Packet (LRP) List     87        61        26     1856
Dynamic Memory Usage (bytes):
Nonpaged Dynamic Memory    Total      Free      In Use    Largest
                             1037824   503920   533904   473184
Paged Dynamic Memory       1468416   561584   906832   560624
Paging File Usage (pages):
DISK$VMS054-0:[SYS0.SYSEXE]PAGEFILE.SYS  Free  Reservable  Total
                             300000  266070    300000
Of the physical pages in use, 24120 pages are permanently allocated to OpenVMS.
$

```

Using the OpenVMS command `ANALYZE/SYSTEM`, you can associate a page that had been replaced (Bad Pages in `SHOW MEMORY` display) with the physical address in memory.

In Example 5–5, 5ffb8 (under the Page Frame Number (PFN) column) is identified as the single page that has been replaced. The command `EVAL 5ffb8 * 200` converts the PFN to a physical page address. The result is 0bff7000, which is the MEAR address translated in Example 5–3. (Bits <8:0> of the

System Troubleshooting and Diagnostics

5.2 Product Fault Management and Symptom-Directed Diagnosis

addresses may differ since the page address from EVAL always shows bits <8:0> as 0.

Example 5–5 Using ANALYZE/SYSTEM to Check the Physical Address in Memory for a Replaced Page

```
$ ANALYZE/SYSTEM
VAX/OpenVMS System analyzer
SDA> SHOW PFN /BAD
Bad page list
-----
Count:                1
Lolimit:              -1
High limit:          1073741824

   PFN      PTE ADDRESS    BAK      REFCNT    FLINK      BLINK      TYPE      STATE
   ----      -
0005FFB8    00000000    00000000      0    00000000  00000000    20 PROCESS    02 BADLIST

SDA> EVAL 5ffb8 * 200
Hex = 0BFF7000   Decimal = 201289728
SDA> EXIT
$
```

5.2.6.2 Correctable ECC Errors

Refer to Example 5–6, which provides an error log showing correctable ECC errors.

For correctable ECC errors, a Single-Bit Error (SBE) Memory Subpacket will be logged as indicated by "memory sbe reduction subpacket" listed in the third column of the FLAGS software register (❶).

The Memory SBE Reduction Subpacket header contains a CURRENT ENTRY register (❷) that displays the number of the Memory CRD Entry that caused the error notification. If CURRENT ENTRY > 0, examine which bits are set in the STATUS register (❸) for this entry—GENERATE REPORT should be set.

Note

If CURRENT ENTRY = 0, then the entry was logged for something other than a single-bit memory correctable error Footprint. You will need to examine all of the Memory CRD Entries and Footprints to try to determine the likely FRU.

System Troubleshooting and Diagnostics

5.2 Product Fault Management and Symptom-Directed Diagnosis

Check for the following:

- **SCRUBBED (4)**—If SCRUBBED is the only bit set in the STATUS register, memory modules should NOT generally be replaced.

The kernel performs memory scrubbing of DRAM memory cells that may flip due to transient alpha particles. Scrubbing simply reads the corrected data and writes it back to the memory location. Returning memory modules that only have SCRUBBED set in STATUS will cost the corporation money, since the repair centers will generally not find a problem.

- **HARD SINGLE ADDRESS (5)**—If the second occurrence of an error within a footprint is at the same address (LOWEST ADDRESS = HIGHEST ADDRESS (6)), then HARD SINGLE ADDRESS will be set in STATUS along with SCRUBBED. Scrubbing will not be tried after the first occurrence of any error within a particular footprint. The page will be marked bad by the OpenVMS Operating system.

Unlike uncorrectable ECC errors, the error handling code cannot indicate if the page has been replaced. To get some idea, use DCL command, SHOW MEMORY. If the page mapout threshold has not been reached ("PAGE MAPOUT THRESHOLD EXCEEDED" is not set in SYSTAT packet header register (7)), the system should be restarted at a convenient time to allow the power-up self-test and ROM-based diagnostics to map out these pages. This can be done by entering TEST 0 at the console prompt, running an extended script TEST A9, or by powering down then powering up the system. In all cases, the diagnostic code will mark the page bad for hard single address errors, as well as any uncorrectable ECC error by default.

If there are many locations affected by hard single-cell errors, on the order of one or more pages per MB of system memory, the memory module should be replaced. The console command SHOW MEMORY will indicate the number of bad pages per module. For example, if the system contains 64 MB of main memory and there are 64 or more bad pages, the affected memory should be replaced.

Note

Under the OpenVMS operating system, the page mapout threshold is calculated automatically. If "PAGE MAPOUT THRESHOLD EXCEEDED" is set in SYSTAT (7), the failing memory module should be replaced.

System Troubleshooting and Diagnostics

5.2 Product Fault Management and Symptom-Directed Diagnosis

In cases of a new memory module used for repair or as part of system installation, one may elect to replace the module rather than having diagnostics map them out, even if the threshold has not been reached for hard single-address errors.

- **MULTIPLE ADDRESSES (8)**—If the second occurrence of an error within a footprint is at a different address (LOWEST ADDRESS not equal to HIGHEST ADDRESS (9)), MULTIPLE ADDRESSES will be set in STATUS along with SCRUBBED. Scrubbing will not be attempted for this situation. In most cases, the failing memory module should be replaced regardless of the page mapout threshold.

If CRD BUFFER FULL is set in LOGGING REASON (10) (located in the subpacket header) or PAGE MAPOUT THRESHOLD EXCEEDED is set in SYSTAT (7), the failing memory module should be replaced regardless of any thresholds.

For all cases (except when SCRUBBED is the only flag set in STATUS) isolate the offending memory by examining the translation in FOOTPRINT called MEMORY ERROR STATUS (11): The memory module is identified by its backplane position. In Example 5–6, memory module #3, slot 2, is identified as the failing module.

The Memory SBE Reduction Subpacket header translates the MEMCON register (12) for memory subsystem configuration information.

Unlike uncorrectable memory and CPU errors, the OpenVMS global counter, as shown by the DCL command SHOW ERROR, is not incremented for correctable ECC errors unless it results in an error log entry for reasons other than system shutdown.

Note

If footprints are being generated for more than one memory module, especially if they all have the same bit in error, the processor module, backplane, or other component may be the cause.

System Troubleshooting and Diagnostics

5.2 Product Fault Management and Symptom-Directed Diagnosis

Note

One type of uncorrectable ECC error, that due to a “disown write”, will result in a CRD entry like those for correctable ECC errors. The FOOTPRINT longword for this entry contains the message “Uncorrectable ECC errors due to disown write”. The failing module should be replaced for this error.

Example 5–6 Error Log Entry Indicating Correctable ECC Error

```
V A X / V M S      SYSTEM ERROR REPORT      COMPILED 12-JUN-1993 16:55:58
                                           PAGE 1.
***** ENTRY 1. *****
ERROR SEQUENCE 2.      LOGGED ON:      SID 13001401
DATE/TIME 06-JUN-1993 09:51:13.98      SYS_TYPE 01390601
SYSTEM UPTIME: 0 DAYS 00:05:06
SCS NODE: OMEGAL      VAX/OpenVMS V5.5-2HW

CORRECTABLE MEMORY ERROR KA680-A CPU FW REV# 1.  CONSOLE FW REV# 3.9
  REVISION      00000000
  SYSTAT      00000040 ⑦
                                MEMORY SOFT ERROR LOGGING DISABLED

  FLAGS      00000008 ①
                                memory sbe reduction subpacket

MEMORY SBE REDUCTION SUBPACKET
  LOGGING REASON 00000001 ⑩
                                NORMAL REPORT

  PAGE MAPOUT CNT 00000003
  MEMCON      0357E53F ⑫
                                MEMORY CONFIGURATION:
                                _sets enabled = 00111111
                                MS690-BA MEMORY MODULE # 1. 32MB SLOT 4
                                MS690-BA MEMORY MODULE # 2. 32MB SLOT 3
                                MS690-DA MEMORY MODULE # 3. 128MB SLOT 2
                                _total memory = 192MB

  VALID ENTRY CNT 00000003
                                3.
  CURRENT ENTRY 00000003
                                3. ②

MEMORY CRD ENTRY 1.
  FOOTPRINT      00000373
```

(continued on next page)

System Troubleshooting and Diagnostics

5.2 Product Fault Management and Symptom-Directed Diagnosis

Example 5-6 (Cont.) Error Log Entry Indicating Correctable ECC Error

```

MEMORY ERROR STATUS:
_MEMORY MODULE #2 SLOT 3
_set = 3.
_bank = 0.
ECC SYNDROME = 73(X)
_CORRECTED DATA BIT = 0.

STATUS          00000010
CRD CNT         00000001
PAGE MAPOUT CNT 00000000
FIRST EVENT     0D3E26E0
                0094F438
LAST EVENT      0D3E26E0
                0094F438
LOWEST ADDRESS  0BFF4000
HIGHEST ADDRESS 0BFF4000

MEMORY CRD ENTRY 2.
FOOTPRINT       0000001C

MEMORY ERROR STATUS:
_MEMORY MODULE #1 SLOT 4
_set = 0.
_bank = 0.
ECC SYNDROME = 1C(X)
_CORRECTED DATA BIT = 4.

STATUS          00000019
CRD CNT         00000002
PAGE MAPOUT CNT 00000001
FIRST EVENT     0FFF1BA0
                0094F438
LAST EVENT      0FFF1BA0
                0094F438
LOWEST ADDRESS  0057FD44 ⑥
HIGHEST ADDRESS 0057FD44

MEMORY CRD ENTRY 3.

```

```

scrubbed ④
1.
0.
01-JUN-1993 09:50:13.07
01-JUN-1993 09:50:13.07

```

```

PAGE MARKED BAD
HARD SINGLE ADDRESS ⑤
scrubbed
2.
1.
01-JUN-1993 09:50:17.69
01-JUN-1993 09:50:17.69

```

(continued on next page)

System Troubleshooting and Diagnostics

5.2 Product Fault Management and Symptom-Directed Diagnosis

Example 5–6 (Cont.) Error Log Entry Indicating Correctable ECC Error

```

FOOTPRINT      0000050D      MEMORY ERROR STATUS: ❶
                                _MEMORY MODULE #3 SLOT 2
                                _set = 5.
                                _bank = 0.
                                ECC SYNDROME = 0D(X)
                                _CORRECTED DATA BIT = 15.

STATUS         00000055      PAGE MARKED BAD
                                MULTIPLE ADDRESSES ❷
                                scrubbed
                                GENERATE REPORT ❸

CRD CNT        00000003      3.

PAGE MAPOUT CNT 00000002      2.

FIRST EVENT    122F1B00      01-JUN-1993 09:50:21.36
                0094F438

LAST EVENT     122F1B00      01-JUN-1993 09:50:21.36
                0094F438

LOWEST ADDRESS 08C72140 ❹
HIGHEST ADDRESS 08E43B28
ANAL/ERR/OUT=CRD CRD.ZPD

```

Note

Ownership (O-bit) memory correctable or fatal errors (MESR <04> or MESR <03> of the processor Register Subpacket set equal to 1) are processor module errors, NOT memory errors.

5.2.7 Interpreting System Bus Faults Using ANALYZE/ERROR

If hardware register CESR <09> (❶) and/or CQBIC hardware register DSER <07>, <05>, or <02> (❷) is set equal to 1, there may be a problem with the Q-bus or Q-bus option.

When CESR <09> is set equal to 1, examine the hardware register CIOEAR2 (❸) to determine the address of the offending option.

Example 5–7 provides an error log showing a faulty Q-bus option. The CIOEAR2 error register indicates the first UQSSP controller as the offending address.

System Troubleshooting and Diagnostics

5.2 Product Fault Management and Symptom-Directed Diagnosis

Example 5-7 Error Log Entry Indicating Q-Bus Error

```

V A X / V M S          SYSTEM ERROR REPORT          COMPILED 12-JUN-1993 14:28:13
                                                    PAGE 1.
***** ENTRY          75. *****
ERROR SEQUENCE 1852.          LOGGED ON:          SID 13000202
DATE/TIME 06-JUN-1993 14:26:11.14          SYS_TYPE 01410601
SYSTEM UPTIME: 12 DAYS 20:04:19
SCS NODE:          VAX/OpenVMS V5.5-2HW

MACHINE CHECK KA692-A CPU FW REV# 2.  CONSOLE FW REV# 4.1
  REVISION          00000000
  SYSTAT            00000001
  FLAGS             00000003
  ATTEMPTING RECOVERY
  machine check stack frame
  KA692 subpacket

STACK FRAME SUBPACKET
  ISTATE_1          80060000
  .
  .
  PSL                03C00000
  PSL previous mode = user
  PSL current mode = user
  first part done set

KA692 REGISTER SUBPACKET
  BPCR              ECC80024
  .
  .
  CESR              80000200 ❶
  CP2 IO ERROR
  ERROR SUMMARY
  .
  .
  DSER              00000080 ❷
  Q-22 BUS NXM
  .
  .
  CIOEAR2           00001468 ❸
  cp2 IO error address = 20001468
  NDAL commander id (cp2 transac) = 0(X)
  .
  .
  IPCR0             00000020
  LOCAL MEMORY EXTERNAL ACCESS ENABLED

ANAL/ERR/OUT=QBUS QBUS.ZPD

```

System Troubleshooting and Diagnostics

5.2 Product Fault Management and Symptom-Directed Diagnosis

5.2.8 Interpreting DMA ↔ Host Transaction Faults Using ANALYZE/ERROR

Some kernel errors may result in two or more entries being logged. If the SHAC DSSI adapters or the SGEN Ethernet controller or other CDAL device (residing on the processor module) encounter host main memory uncorrectable ECC errors, main memory NXMs or CDAL parity errors or timeouts, more than one entry results. Usually there will be one Polled Error entry logged by the host, and one or more Device Attention and other assorted entries logged by the device drivers.

In these cases the processor module or one of the four memory modules are the most likely cause of the errors. Therefore, it is essential to analyze Polled Error entries, since a polled entry usually represents the source of the error versus other entries, which are simply aftereffects of the original error.

Example 5–8 provides an abbreviated error log for a polled error. Example 5–9 provides an example of a device attention entry.

Example 5–8 Error Log Entry Indicating Polled Error

```
V A X / V M S          SYSTEM ERROR REPORT          COMPILED 12-JUN-1993 05:32:21
                                     PAGE 1.
***** ENTRY          2. *****
ERROR SEQUENCE 15.          LOGGED ON:          SID 13000202
DATE/TIME 12-JUN-1993 05:22:00.90          SYS_TYPE 01430701
SYSTEM UPTIME: 0 DAYS 00:27:48
SCS NODE:          VAX/OpenVMS V5.5-2HW

POLLED ERROR KA692-A CPU FW REV# 2.  CONSOLE FW REV# 4.3
  REVISION          00000000
  SYSTAT            00000001
  FLAGS             00000006
                    ATTEMPTING RECOVERY
                    memory subpacket
                    KA692 subpacket
KA692 REGISTER SUBPACKET
```

(continued on next page)

System Troubleshooting and Diagnostics

5.2 Product Fault Management and Symptom-Directed Diagnosis

Example 5–8 (Cont.) Error Log Entry Indicating Polled Error

```

BPCR          ECC80024
.
.
MESR          8001B800
                UNCORRECTABLE MEMORY ECC ERROR
                ERROR SUMMARY
                MEMORY ERROR SYNDROME = 1B(X)
.
.
MEAR          50000410
                main memory error address = 00001040
                ndal commander id = 05(X)
.
.
IPCR0        00000020
                LOCAL MEMORY EXTERNAL ACCESS ENABLED
MEMORY SUBPACKET
MEMCON       0057E53F
                MEMORY CONFIGURATION:
                _sets enabled = 00111111
                MS690-BA MEMORY MODULE # 1. 32MB SLOT 4
                MS690-BA MEMORY MODULE # 2. 32MB SLOT 3
                MS690-DA MEMORY MODULE # 3. 128MB SLOT 2
                _total memory = 192MB
                MEMORY ERROR STATUS:
                MEMORY MODULE #3 SLOT 2
                Bank = 00(X)
                Set = 00(X)
MEMCON0      80000003
                64 bit mode
                Base address valid
                RAM size = 1MB
                base address = 00(X)
ANAL/ERR/OUT=TB1 TB1.ZPD

```

System Troubleshooting and Diagnostics

5.2 Product Fault Management and Symptom-Directed Diagnosis

Example 5-9 Device Attention Entry

```

V A X / V M S      SYSTEM ERROR REPORT      COMPILED 12-JUN-1993 05:32:21
                                           PAGE 1.
***** ENTRY 2. *****
ERROR SEQUENCE 15.      LOGGED ON:      SID 13000202
DATE/TIME 06-JUN-1993 05:22:00.90      SYS_TYPE 01430701
SYSTEM UPTIME: 0 DAYS 00:27:48
SCS NODE:      VAX/OpenVMS V5.5-2HW

DEVICE ATTENTION KA692-A CPU FW REV# 2.  CONSOLE FW REV# 4.3
DSSI SUB-SYSTEM, PAB0: - PORT WILL BE RE-STARTED
PORT TIMEOUT, DRIVER RESETTING PORT
CNF      03060022      MAINTENANCE ID = 0022(X)
                                           FIRMWARE REVISION = 06(X)
                                           HARDWARE REVISION = 03(X)
PMCSR      00000000
PSR      80010000      MAINTENANCE ERROR
                                           SHARED HOST MEMORY ERROR
PFAR      40001044      APPROX HOST ADDR 40001044(X)
PESR      00010000      CPDAL BUS ERROR
PPR      00000000      NODE #0.
                                           0. BYTE INTERNAL BUFFER
                                           16. NODES MAXIMUM
UCB$B_ERTCNT      2C      44. RETRIES REMAINING
UCB$B_ERTMAX      32      50. RETRIES ALLOWABLE
UCB$L_CHAR      0C450000      SHARABLE
                                           AVAILABLE
                                           ERROR LOGGING
                                           CAPABLE OF INPUT
                                           CAPABLE OF OUTPUT
UCB$W_STS      0010      ONLINE
UCB$W_ERRCNT      0007      7. ERRORS THIS UNIT
ANAL/ERR/ENTRY=(ST:2,END:3)/OUT=POLL_SHM

```

5.2.9 VAXsimPLUS and System-Initiated Call Logging (SICL) Support

Symptom-Directed Diagnostic (SDD) toolkit support for KA681/KA691/KA692/KA694 kernels is provided in version 2.0 of the toolkit. If version 2.0 is not available, you should install the previous version, as it provides support for many existing options.

System Troubleshooting and Diagnostics

5.2 Product Fault Management and Symptom-Directed Diagnosis

VAX 4000 systems use Symptom-Directed Diagnosis tools primarily for notification. The VAX System Integrity Monitor Plus (VAXsimPLUS) interactive reporting tool triggers notification for high-level events recorded in SYSTAT and LOGGING REASON.

The VAXsimPLUS monitor simply parses for a handful of SYSTAT flags and LOGGING reason codes. The VAXsimPLUS monitor display is updated and triggering occurs if the threshold has been reached. Some flags have a threshold of one; for example, SYSTAT <08> ERROR THRESHOLD EXCEEDED will trigger VAXsimPLUS upon the first occurrence, since at least three errors would have already occurred and been handled by the OpenVMS operating system.

All lower level errors will ultimately set one of the conditions shown in Table 5-4. VAXsimPLUS will examine the conditions within a 24-hour period—thresholds are typically one or two flags or logging reason codes within that period.

Table 5-4 lists the conditions that will trigger VAXsimPLUS notification and updating. Figure 5-8 shows the flow for the VAXsimPLUS monitor trigger (for decision blocks with only one branch, the alternative is treated as an ignore condition). An OpenVMS entry typy (as shown in Table 5-3) starts the trigger flow for the VAXsimPLUS monitor. The entries ultimately are classified as either hard or soft. Errors that require corrective maintenance are classified as hard; while errors potentially requiring corrective maintenance are classified as soft.

System Troubleshooting and Diagnostics

5.2 Product Fault Management and Symptom-Directed Diagnosis

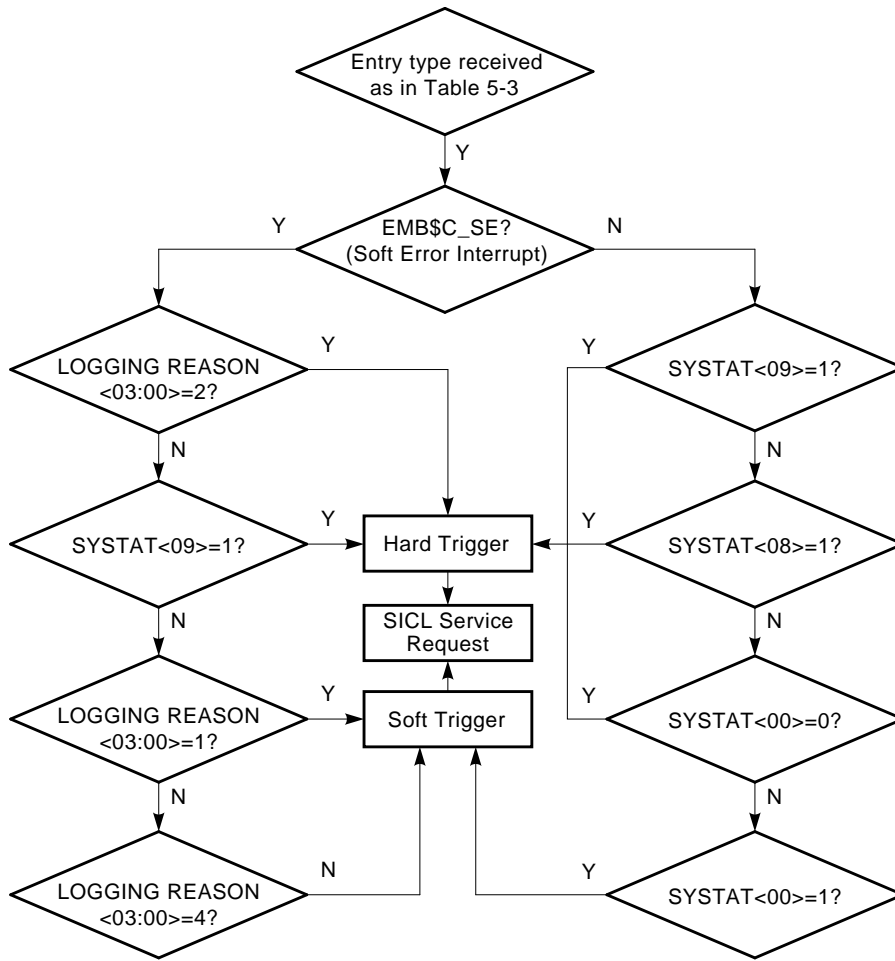
Table 5–4 Conditions That Trigger VAXsimPLUS Notification and Updating

Condition	Description
SYSTAT <00> = 1	"Attempting recovery"
SYSTAT <00> = 0	"Full recovery or retry not possible"
SYSTAT <08> = 1	"Error threshold exceeded"
SYSTAT <09> = 1	"Page marked bad for uncorrectable ECC error in main memory"
SYSTAT <11> = 1	"Page mapout threshold for single bit ECC errors in main memory exceeded"
LOGGING REASON <3:0> = 1	"Memory CRD buffer full"
LOGGING REASON <3:0> = 2	"Generate report as a result of hard single address or multiple address DRAM memory fault"
LOGGING REASON <3:0> = 0, 3, 5–F	"Illegal LOGGING REASON"

System Troubleshooting and Diagnostics

5.2 Product Fault Management and Symptom-Directed Diagnosis

Figure 5-8 Trigger Flow for the VAXsimPLUS Monitor



MLO-008656

VAXsimPLUS triggering notifies the customer and Services using three message types: HARD, SOFT, and SICL Service Request. Each message contains the single STARS article theory number, as well as the SYSTAT or LOGGING REASON state. In addition, the SICL Service Request will have a Merged Error Log (MEL) datafile appended. Both hard and soft triggers will generate SICL Service Request messages.

System Troubleshooting and Diagnostics

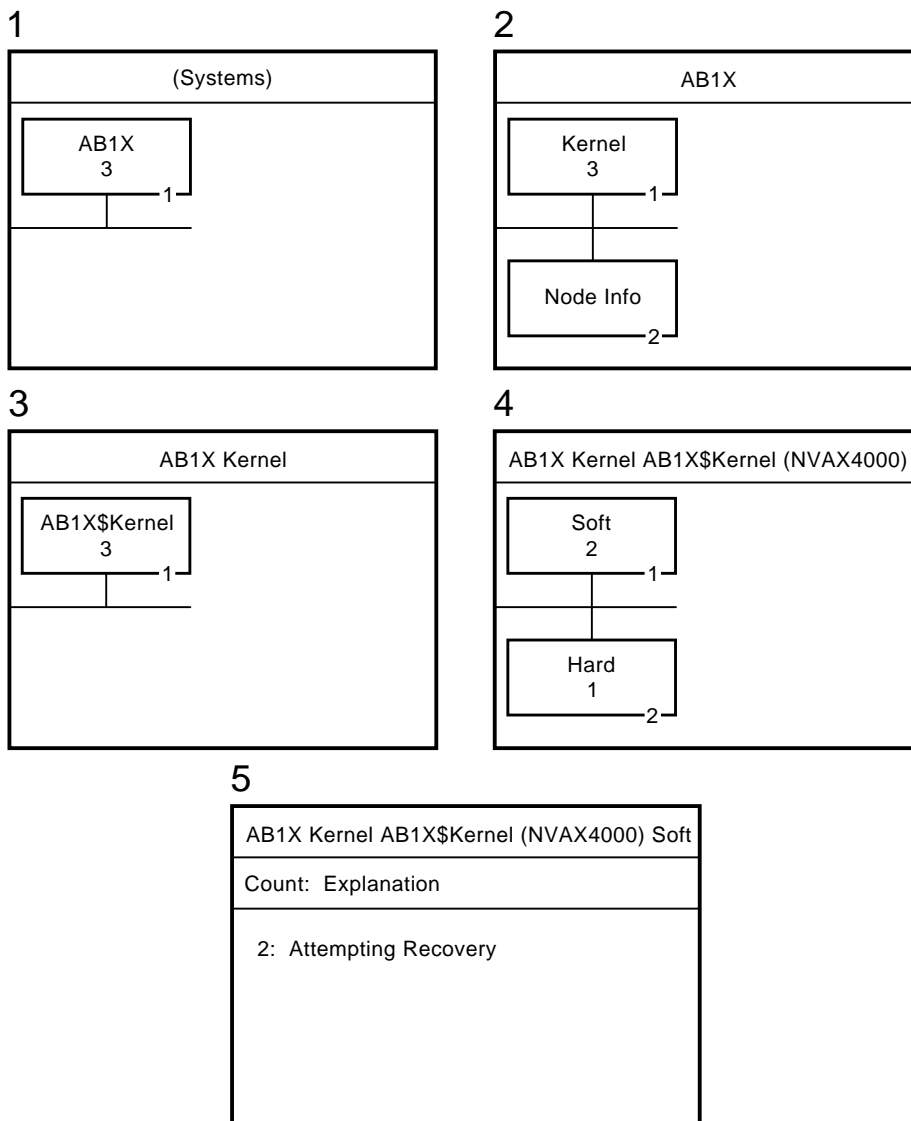
5.2 Product Fault Management and Symptom-Directed Diagnosis

Figure 5-9 shows the five VAXsimPLUS monitor screen displays. Table 5-5 provides a brief explanation of the five levels of screen displays.

System Troubleshooting and Diagnostics

5.2 Product Fault Management and Symptom-Directed Diagnosis

Figure 5–9 Five-Level VAXsimPLUS Monitor Display



MLO-007270

System Troubleshooting and Diagnostics

5.2 Product Fault Management and Symptom-Directed Diagnosis

Table 5–5 Levels of VAXsimPLUS Monitor Screen Displays

Level	Name	Explanation
1.	System	The system level screen provides one box for each system being analyzed (in Figure 5–9 a single system is being analyzed). As with each screen level, the number of reported errors is displayed in the box. The boxes blink when the hard error thresholds are reached; the boxes are highlighted when the soft error thresholds are reached.
2.	Subsystem	The subsystem level screen provides separate boxes for the kernel and node information. Other boxes that may be displayed are bus, disk, tape, etc.
3.	Unit	The unit level screen provides a box for the kernel. If the subsystem has more than one unit or device with errors, those will be displayed as well.
4.	Error Class	The error class level screen provides a box for both hard and soft errors.
5.	Error Detail	Two error detail level screens (hard and soft) provide the number of reported errors along with a brief error description.

Once notification occurs, the service engineer should examine the error log file (after using the ANALYZE/ERROR command) or read the appended Merged Error Log (MEL) file in the SICL service request message. (The MEL file is encrypted, refer to Section 5.2.9.1 for instructions converting these files.) Using the theory of interpretation provided in the previous sections, you can manually interpret the error logs.

Note

The interpretation theory provided in this manual is also a STARS article and can be accessed via the Decoder Kit. (Theory 30B01.xxx reproduces in full, Section 5.2 of this manual).

In summary, a service engineer should use VAXsimPLUS notification as follows:

1. Make sure all four message types are sent to the Field and System accounts.
2. Log into the Field or System account.

System Troubleshooting and Diagnostics

5.2 Product Fault Management and Symptom-Directed Diagnosis

3. Read mail (look for the SICL service request message with its appended MEL file).
4. Convert the encrypted MEL file and use the theory provided in this manual to interpret the error log file.

5.2.9.1 Converting the SICL Service Request MEL File

Use the following procedure to convert the encrypted MEL file that is appended to the SICL service request message (MEL files can be converted on site or at a support center). Example 5–10 shows a sample SICL service request message and appended MEL file.

1. Extract the SICL mail message from mail.
2. Edit the extracted file to obtain the appended MEL file. The MEL file is the encrypted code that appears between the rows of asterisks and includes the words “SICL” and “end.”
3. Convert the encrypted code to a binary file using the VAXsimPLUS decode command file as follows:
\$ MCR SDD\$EXE:FMGR\$SICL_DECODE [MEL filename] [binary filename]
4. Use the ANALYZE/ERROR command to produce an error log entry.
\$ ANALYZE/ERROR [binary filename]

System Troubleshooting and Diagnostics

5.2 Product Fault Management and Symptom-Directed Diagnosis

Example 5-10 SICL Service Request with Appended MEL File

```

From: ABLX::SDD$MANAGER      "VAXsimPLUS Message" 15-APR-1993 10:29:21.05
To: SYSTEM
CC:
Subj: SDD T2.0 Service Request - Analysis:[30B01.200]
*****
                VAXsimPLUS Notification Message

VAXsimPLUS has detected that the following device needs attention:

DEVICE:          ABLX$KERNEL (NVAX4000)
NODE:            ABLX
SYSTEM SERIAL NUMBER:  KAI36H1520
SYSTEM TYPE:      VAX 4000-700A

                VAXsimPLUS Diagnosis Information

Attn:            Field Service

Device:          ABLX$KERNEL (NVAX4000)
Count:           1.

Theory:          [30B01.200]

Evidence:        Urgent action required - ABLX$KERNEL Hard error(s):

                SYSTAT <9> = 1 - Page Marked Bad For Uncorrectable ECC Error In
                Main Memory
*****
%% SDD$PROFILE is defined to be NONE, no Customer Profile included in message %%
*****
SICL
134
M @ ( $ _ O _ 0 = # 0      AS24U)3$\@(          % @ G!::G+Y*5
M @ 034N-2U-,2 7      &0\      @ !P      !@      : 0      "<<
M !\F>]_"      ( %/,%$P      # R0 R.P      \%31!03 !P @ !
M (H      #0 0" /S__S#X__\A !      F 6 /CA"0      (P0
M"A(          %\      [P      0      '@U@. '      @%.^!0
M ($+<]P ,12 P P      '      "      S ,13
FO@4          \      (      ?Y#P(% " !_D/ @4 (
end
*****

```

5.2.9.2 VAXsimPLUS Installation Tips

When installing VAXsimPLUS, the system will prompt you for information. You will need to know the serial number and system model number for the system on which you are installing VAXsimPLUS. The serial number is located on the front of the chassis at the bottom and to the left (the front door must be open). The system model number is attached to the outside of the door.

System Troubleshooting and Diagnostics

5.2 Product Fault Management and Symptom-Directed Diagnosis

Also, if the system does not have dialout capability, you should answer no when asked if you want to enable SICL—if you enter yes, the system will attempt to send mail via DSNLink resulting in error messages. After VAXsimPLUS is installed you can activate SICL and customize the VAXsimPLUS mailing lists so that SICL messages are sent to an appropriate destination(s) on site. This way, SICL messages are received onsite without incurring error messages regarding remote link failures.

5.2.9.3 VAXsimPLUS Postinstallation Tips

Once VAXsimPLUS is installed, you can set up mailing lists to direct VAXsimPLUS messages to the appropriate destinations. If the system has no dialout capability, SICL messages should be directed to the System and/or Field account—this is good practice for systems with dialout and service center support as well.

In the example that follows, the four types of mailing lists are displayed and System and Field accounts are added to all four mailing lists using VAXSIM /FAULT_MANAGER commands.

Note

The commands can be abbreviated.

DSN%SICL appears under the SICL mailing list if you enabled SICL during installation.

System Troubleshooting and Diagnostics

5.2 Product Fault Management and Symptom-Directed Diagnosis

```
$ VAXSIM/FAULT SHOW MAIL
-- FSE mailing list --
    FIELD
-- CUSTOMER mailing list --
    SYSTEM
-- MONITOR mailing list is empty --
-- SICL mailing list --
    DSN%SICL
$ VAXSIM/FAULT ADD SYSTEM ALL
$ VAXSIM/FAULT ADD FIELD ALL
$ VAXSIM/FAULT SHOW MAIL
-- FSE mailing list --
    FIELD
    SYSTEM
-- CUSTOMER mailing list --
    FIELD
    SYSTEM
-- MONITOR mailing list --
    FIELD
    SYSTEM
-- SICL mailing list --
    DSN%SICL
    FIELD
    SYSTEM
```

To activate SICL after installation, use the following command:

```
$ VAXSIM/FAULT SET SICL ON
```

VAXsimPLUS customer notification messages should display a phone number for the customer to call in the event the system needs service. Use the following commands to examine and set the phone number parameter:

System Troubleshooting and Diagnostics

5.2 Product Fault Management and Symptom-Directed Diagnosis

```
$ VAXSIM/FAULT SHOW PARAMETER
(SET parameter)          (Parameter settings)
PHONE_NUMBER    Customer Service Phone Number is unknown
COPY            Automatic copying is OFF
SICL            System Initiated Call Logging is ON
SYSTEM_INFO     System info for ABLX
                Serial number   KA136H1520
                System type     VAX 4000-700A
$ VAXSIM/FAULT SET PHONE 1-800-DIGITAL
```

Finally, the VAXSIMPLUS/MERGE command is useful in examining how a device is functioning in a cluster. The merge command collects the messages that are being sent to the other CPUs in the cluster.

5.2.10 Repair Data for Returning FRUs

When sending back an FRU for repair, include as much of the error log information as possible. If one or more error flags are set in a particular entry, record the mnemonic(s) of the register(s), the hex data, and error flag translation(s) on the repair tag. If an error address is valid, include the mnemonic, hex data, and translation on the repair tag as well. For memory and cache errors, include the syndrome and corrected-bit/bit-in-error information, along with the register mnemonic and hex data. Other registers which should be recorded for any entry type are SYSTAT, MEMCON and FOOTPRINT.

5.3 Interpreting Power-On Self-Test and ROM-Based Diagnostic Failures

If any of the tests fail, the test code displays on the console LED and, if specified in the firmware script, a diagnostic console printout displays in the format shown in Example 5-11.

System Troubleshooting and Diagnostics

5.3 Interpreting Power-On Self-Test and ROM-Based Diagnostic Failures

Example 5–11 Sample Output with Errors

```
① ②③ ④ ⑤ ⑥ ⑦ ⑧
?40 2 06 FF 0000 0010 00 ; SUBTEST_40_06, DE_Memory_count_pages.LIS
P1=00000001 P2=00000004 P3=FFFFFFFF P4=00000000 P5=00000004
P6=00010000 P7=00000004 P8=00000000 P9=00000000 P10=00000000
r0=01FF4000 r1=00000004 r2=00000003 r3=FFFFFFFF r4=00000070
r5=00000000 r6=00000000 r7=00000000 r8=00000000 EPC=00000000
SCBB=20053C00 TODR=9FEBF5E9 ECR=0000008A
SCR=0000D000 DSER=00000000 QBEAR=0000000F DEAR=00000000
QBMR=01FF8000 BDR=B9F808AF SSCCR=00D55570 IPCR0=0000
CESR=00000000 CMCDSR=0000C308 CSEAR1=00000000 CSEAR2=00000000
CIOEAR1=00000000 CIOEAR2=10000000 CNEAR=00000000 MAPEN=00000000
PCSTS=FFFFFF80 PCADR=FFFFFFF8 PCCTL=FFFFFFE0
ICSR=00000001 VMAR=000007E0 VTAG=0004008D VDATA=AC31024E
CCTL=00000007 BCETSTS=00000000 BCETIDX=00000000 BCETAG=00000000
BCEDSTS=00000700 BCEDIDX=00000008 CEFSTS=00000200 BCEDECC=00000000
CEFADR=00000008 NESTS=00000000 NEOADR=E005C9E8 NEOCMD=8000FF04
NEICMD=00000000 NEDATHI=00000000 NEDATLO=00000000 MOAMR=00000000
MMCD SR=01111000 MEAR=08406010 ADD=21018040 MESR=00080000
MEMCON_0:7; 0=80000003, 1=81000003
2=00000007, 3=00000007, 4=00000007, 5=00000007, 6=00000007, 7=00000007
Normal operation not possible.
>>>
```

Several lines are printed in the error display. The first line has eight column headings:

- ① *Test* identifies the diagnostic test, test ?40 in Example 5–11. Using Table 5–9, you can use the test number to point to possible problems in field-replaceable units (FRUs).
- ② *Severity* is the severity level of a test failure, as dictated by the script. Failure of a severity level 2 test causes the display of this error printout and halts an autoboot. An error of severity level 1 causes a display of the first line of the error printout but does not interrupt an autoboot. Most tests have a severity level of 2.
- ③ *Error* is two hex digits identifying, usually within 10 instructions, where in the diagnostic the error occurred. This field is also called the subtestlog.
- ④ *De_error* (diagnostic executive error) signals the diagnostic's state and any illegal behavior. This field indicates a condition that the diagnostic expects on detecting a failure. FE or EF in this field means that an unexpected exception or interrupt was detected. FF indicates an error as a result of normal testing, such as a miscompare. The possible codes are:

System Troubleshooting and Diagnostics

5.3 Interpreting Power-On Self-Test and ROM-Based Diagnostic Failures

Error Code	Description
FF	Normal error exit from diagnostic
FE	Unexpected interrupt
FD	Interrupt in cleanup routine
FC	Interrupt in interrupt handler
FB	Script requirements not met
FA	No such diagnostic
EF	Unexpected exception in executive

- ⑤ *Vector* identifies the SCB vector through which the unexpected exception or interrupt trapped, when the `de_error` field detects an unexpected exception or interrupt (FE or EF).
- ⑥ *Count* is four hex digits. It shows the number of previous errors that have occurred (16 in Example 5–11).
- ⑦ *Loop_subtest_log* is an additional log generated out of the current test specified by the current test number and `subtestlog`. Usually these logs occur in common subroutines called from a diagnostic test.
- ⑧ *ASCII messages* contain unique symbols that are terminated by the comma in the ASCII field. These symbols identify the most recent `subtestlog` entry in the listing file. The characters to the right of the comma give the name of the listing file that contains the failed diagnostic.

Lines 2 and 3 of the error printout are parameters 1 through 10. When the diagnostics are running normally, these parameters are the same parameters listed in Example 4–4.

When an unexpected machine check exception or other type of exception occurs during the executive (`de_error` is EF), the stack is saved in the parameters on lines 2 and 3, as listed in Table 5–6, Table 5–7, and Table 5–8.

Table 5–6 Machine Check Exception During Executive

Parameter	Value
P1	Contents of stack pointer, points to vector in P2
P2	Vector = 004, machine check
P3	Machine check code

(continued on next page)

System Troubleshooting and Diagnostics

5.3 Interpreting Power-On Self-Test and ROM-Based Diagnostic Failures

Table 5–6 (Cont.) Machine Check Exception During Executive

Parameter	Value
P4	Contents of VA register
P5	Contents of VIBA register
P6	ICCS register bit <6> and SISR <15:0>
P7	Internal state information
P8	Contents of shift count (SC) register
P9	PC
P10	PSL

Table 5–7 Exception During Executive with No Parameters

Parameter	Value
P1	Contents of stack pointer, points to vector in P2
P2	Vector = nnn (000-3FC), 200-3FC = Q-bus
P3	PC
P4	PSL
P5	Contents of stack
P6	Contents of stack
P7	Contents of stack
P8	Contents of stack
P9	Contents of stack
P10	Contents of stack

Table 5–8 Other Exceptions with Parameters, No Machine Check

Parameter	Value
P1	Contents of stack pointer, points to vector in P2
P2	Vector = nnn (20, 24, 34, 40, 44, 48, 4C, C8)
P3	Optional parameters, could be more than one LW (20, 24, C8)
P4	PC

(continued on next page)

System Troubleshooting and Diagnostics

5.3 Interpreting Power-On Self-Test and ROM-Based Diagnostic Failures

Table 5–8 (Cont.) Other Exceptions with Parameters, No Machine Check

Parameter	Value
P5	PSL
P6	Contents of stack
P7	Contents of stack
P8	Contents of stack
P9	Contents of stack
P10	Contents of stack

Lines 4 and 5 of the error printout are General Purpose Registers (GPRs) R0 through R8 and the error program counter.

In general, the machine check exceptions can provide a clue to the cause of the problem. Machine check codes 01–05, 08–10, 13, 0A, 0B, 0C, and 0D are probably due to CPU fault. Machine check codes 11 and 12 could be a memory problem or a CPU problem. In the case of exceptions with or without parameters (Table 5–7 and Table 5–8) the vector can provide a clue to the fault.

When returning a module for repair, record the first line of the error printout and the version of the ROMs on the module repair tag.

Table 5–9 lists the hex LED display, the default action on errors, and the most likely unit that needs replacing.

The Default on Error column refers to the action taken by the diagnostic executive under the following circumstances:

- The diagnostic executive detects an unexpected exception or interrupt.
- A test fails and that failure is reported to the diagnostic executive.

The Default on Error column does not refer to the action taken by the memory tests. The diagnostic executive either halts the script or continues execution at the next test in the script.

Most memory tests have a continue on error parameter (labeled `cont_on_error`). If you explicitly set `cont_on_error`, using parameter 4 in a memory test, the test marks bad pages in the bitmap and continues without notifying the diagnostic executive of the error. In this case, a halt on error does not occur even if you specify halt on error in the diagnostic executive (by answering Yes to Stop script on error? in Utility 9F), since the memory test does not notify the diagnostic executive that an error has occurred.

System Troubleshooting and Diagnostics

5.3 Interpreting Power-On Self-Test and ROM-Based Diagnostic Failures

Table 5–9 shows the various LED values and console terminal displays as they point to problems in field-replaceable units (FRUs).

Table 5–9 KA681/KA691/KA692/KA694 Console Displays As Pointers to FRUs

On Error Hex LED	Normal Console Display	Default Action on Error	On Error Console Display	Test Description	FRU ¹
Power-Up Tests (Script A1)					
F	None	Loop	None	Power up	5, 1
E	None	Loop	None	Wait for power	5, 1
D	None	Loop	None	–	–
C	66	Cont	?9D	Utility	1
B	65	Cont	?42	Check for interrupts	1, 4
9	64	Cont	?35	B_Cache diag_mode	1
8	63	Cont	?33	NMC_powerup	1
8	62	Cont	?32	NMC_registers	1, 2
B	61	Cont	?D0	V_Cache_diag_mode	1
B	60	Cont	?D2	O_Bit_Diag_mode	1
B	59	Cont	?DF	O_BIT_DEBUG	1
B	58	Halt	?DC	No_memory_present	1, 2, 3
8	57	Cont	?31	Memory_Setup_CSRs	1, 2, 3
8	56	Halt	?30	Memory_Init_Bitmap	2, 1
B	55	Cont	?46	P_Cache_diag_mode	1
9	54	Cont	?35	B_Cache_diag_mode	1
9	53	Cont	?DE	B_Cache_tag_debug	1
9	52	Cont	?DD	B_Cache_data_debug	1

¹Field-replaceable unit key:

- 1 = KA681/KA691/KA692/KA694
- 2 = MS690
- 3 = Backplane
- 4 = Q22–bus device
- 5 = System power supply
- 6 = H3604 console module
- 7 = Battery

(continued on next page)

System Troubleshooting and Diagnostics

5.3 Interpreting Power-On Self-Test and ROM-Based Diagnostic Failures

Table 5–9 (Cont.) KA681/KA691/KA692/KA694 Console Displays As Pointers to FRUs

On Error Hex LED	Normal Console Display	Default Action on Error	On Error Console Display	Test Description	FRU ¹
Power-Up Tests (Script A1)					
9	51	Cont	?DA	PB_Flush_cache	1
B	50	Cont	?54	Virtual_Mode	1
6	49	Cont	?60	SSC_Console_SLU	1, 6
7	48	Cont	?91	CQBIC_powerup	1, 4, 3
7	47	Cont	?90	CQBIC_registers	1, 4, 3
C	46	Cont	?C6	SSC_powerup	1, 6
C	45	Cont	?52	SSC_Prog_timers	1
C	44	Cont	?52	SSC_Prog_timers	1
C	43	Cont	?53	SSC_TOY_Clock	7, 1
C	42	Cont	?C1	SSC_RAM_Data	1
C	41	Cont	?34	SSC_ROM	1
C	40	Cont	?C5	SSC_registers	1
8	39	Cont	?55	Interval_Timer	1
8	38	Cont	?49	Memory_FDM	1
8	37	Cont	?4F	Memory_Data	2, 1, 3
8	36	Cont	?4E	Memory_Byte	2, 1, 3
8	35	Cont	?4B	Memory_Byte_Errors	2, 1, 3
8	34	Cont	?4A	Memory_ECC_SBEs	2, 1, 3
8	33	Cont	?4C	Memory_ECC_Logic	2, 1, 3
8	32	Cont	?3F	Mem_FDM_Addr_shorts	2, 1, 3

¹Field-replaceable unit key:

- 1 = KA681/KA691/KA692/KA694
- 2 = MS690
- 3 = Backplane
- 4 = Q22-bus device
- 5 = System power supply
- 6 = H3604 console module
- 7 = Battery

(continued on next page)

System Troubleshooting and Diagnostics

5.3 Interpreting Power-On Self-Test and ROM-Based Diagnostic Failures

Table 5–9 (Cont.) KA681/KA691/KA692/KA694 Console Displays As Pointers to FRUs

On Error Hex LED	Normal Console Display	Default Action on Error	On Error Console Display	Test Description	FRU ¹
Power-Up Tests (Script A1)					
8	31	Cont	?3F	Mem_FDM_Addr_shorts	2, 1, 3
8	30	Cont	?48	Memory_Addr_shorts	2, 1, 3
8	29	Cont	?48	Memory_Addr_shorts	2, 1, 3
8	28	Cont	?48	Memory_Addr_shorts	2, 1, 3
8	27	Cont	?48	Memory_Addr_shorts	2, 1, 3
8	26	Cont	?48	Memory_Addr_shorts	2, 1, 3
8	25	Cont	?48	Memory_Addr_shorts	2, 1, 3
8	24	Cont	?48	Memory_Addr_shorts	2, 1, 3
8	23	Cont	?48	Memory_Addr_shorts	2, 1, 3
8	22	Cont	?48	Memory_Addr_shorts	2, 1, 3
8	21	Cont	?4D	Memory_Address	2, 1, 3
8	20	Cont	?47	Memory_Refresh	2, 1, 3
9	19	Cont	?40	Memory_count_pages	2, 1, 3
8	18	Cont	?40	Memory_count_pages	2, 1, 3
9	17	Cont	?37	Cache_w_Memory	1, 2
C	16	Cont	?C2	SSC_RAM_Data_Addr	1
7	15	Cont	?80	CQBIC_memory	1, 2
9	14	Cont	?37	Cache_w_Memory	1, 2
A	13	Cont	?51	FPA	1
4	12	Cont	?5F	SGEC	1, 6

¹Field-replaceable unit key:

- 1 = KA681/KA691/KA692/KA694
- 2 = MS690
- 3 = Backplane
- 4 = Q22-bus device
- 5 = System power supply
- 6 = H3604 console module
- 7 = Battery

(continued on next page)

System Troubleshooting and Diagnostics

5.3 Interpreting Power-On Self-Test and ROM-Based Diagnostic Failures

Table 5–9 (Cont.) KA681/KA691/KA692/KA694 Console Displays As Pointers to FRUs

On Error Hex LED	Normal Console Display	Default Action on Error	On Error Console Display	Test Description	FRU ¹
Power-Up Tests (Script A1)					
5	11	Cont	?5C	SHAC (Bus 1)	1, 3
5	10	Cont	?5C	SHAC (Bus 0)	1, 6
8	9	Cont	?9A	INTERACTION	1, 6
7	8	Cont	?83	QZA_loopback1	4
7	7	Cont	?84	QZA_loopback2	4
7	6	Cont	?85	QZA_memory	4
7	5	Cont	?86	QZA_DMA	4
B	4	Cont	?DB	Speed	1
C	3	Cont	?41	Board_Reset	1, 4
Script A3					
C	9D	Halt	?9D	Utility	1
B	42	Halt	?42	Chk_for_Interrupts	1, 4
9	35	Halt	?35	B_Cache_diag_mode	1
8	33	Halt	?33	NMC_powerup	1
8	32	Halt	?32	NMC_registers	1, 2
B	D0	Halt	?D0	V_Cache_diag_mode	1
B	D2	Halt	?D2	O_Bit_Diag_mode	1
B	DF	Halt	?DF	O_BIT_DEBUG	1
8	DC	Halt	?DC	No_memory_present	1, 2, 3

¹Field-replaceable unit key:

- 1 = KA681/KA691/KA692/KA694
- 2 = MS690
- 3 = Backplane
- 4 = Q22-bus device
- 5 = System power supply
- 6 = H3604 console module
- 7 = Battery

(continued on next page)

System Troubleshooting and Diagnostics

5.3 Interpreting Power-On Self-Test and ROM-Based Diagnostic Failures

Table 5–9 (Cont.) KA681/KA691/KA692/KA694 Console Displays As Pointers to FRUs

On Error Hex LED	Normal Console Display	Default Action on Error	On Error Console Display	Test Description	FRU ¹
Script A3					
8	31	Halt	?31	Memory_Setup_CSRs	1, 2, 3
8	30	Halt	?30	Memory_Init_Bitmap	2, 1
B	46	Halt	?46	P_Cache_diag_mode	1
9	35	Halt	?35	B_Cache_diag_mode	1
9	DE	Halt	?DE	B_Cache_tag_debug	1
9	DD	Halt	?DD	B_Cache_data_debug	1
9	DA	Halt	?DA	PB_Flush_cache	1
B	54	Halt	?54	Virtual_Mode	1
6	60	Halt	?60	SSC_Console_SLU	1, 6
7	91	Halt	?91	CQBIC_powerup	1, 4, 3
7	90	Halt	?90	CQBIC_registers	1, 4, 3
C	C6	Halt	?C6	SSC_powerup	1, 6
C	52	Halt	?52	SSC_Prog_timers	1
C	52	Halt	?52	SSC_Prog_timers	1
C	53	Halt	?53	SSC_TOY_Clock	7, 1
C	C1	Halt	?C1	SSC_RAM_Data	1
C	34	Halt	?34	SSC_ROM	1
C	C5	Halt	?C5	SSC_registers	1
B	55	Halt	?55	Interval_Timer	1
8	49	Halt	?49	Memory_FDM	2, 1, 3

¹Field-replaceable unit key:

- 1 = KA681/KA691/KA692/KA694
- 2 = MS690
- 3 = Backplane
- 4 = Q22-bus device
- 5 = System power supply
- 6 = H3604 console module
- 7 = Battery

(continued on next page)

System Troubleshooting and Diagnostics

5.3 Interpreting Power-On Self-Test and ROM-Based Diagnostic Failures

Table 5–9 (Cont.) KA681/KA691/KA692/KA694 Console Displays As Pointers to FRUs

On Error Hex LED	Normal Console Display	Default Action on Error	On Error Console Display	Test Description	FRU ¹
Script A3					
8	4F	Halt	?4F	Memory_Data	2, 1, 3
8	4E	Halt	?4E	Memory_Byte	2, 1, 3
8	4B	Halt	?4B	Memory_Byte_Errors	2, 1, 3
8	4A	Halt	?4A	Memory_ECC_SBEs	2, 1, 3
8	4C	Halt	?4C	Memory_ECC_Logic	2, 1, 3
8	3F	Halt	?3F	Memory_FDM_Addr_shorts	2, 1, 3
8	3F	Halt	?3F	Memory_FDM_Addr_shorts	2, 1, 3
8	48	Halt	?48	Memory_Addr_shorts	2, 1, 3
8	48	Halt	?48	Memory_Addr_shorts	2, 1, 3
8	48	Halt	?48	Memory_Addr_shorts	2, 1, 3
8	48	Halt	?48	Memory_Addr_shorts	2, 1, 3
8	48	Halt	?48	Memory_Addr_shorts	2, 1, 3
8	48	Halt	?48	Memory_Addr_shorts	2, 1, 3
8	48	Halt	?48	Memory_Addr_shorts	2, 1, 3
8	48	Halt	?48	Memory_Addr_shorts	2, 1, 3
8	48	Halt	?48	Memory_Addr_shorts	2, 1, 3
8	48	Halt	?48	Memory_Addr_shorts	2, 1, 3
8	48	Halt	?48	Memory_Addr_shorts	2, 1, 3
8	48	Halt	?48	Memory_Addr_shorts	2, 1, 3
8	4D	Halt	?4D	Memory_Address	2, 1, 3
8	47	Halt	?47	Memory_Refresh	2, 1, 3
8	40	Halt	?40	Memory_count_pages	2, 1, 3
8	40	Halt	?40	Memory_count_pages	2, 1, 3

¹Field-replaceable unit key:

- 1 = KA681/KA691/KA692/KA694
- 2 = MS690
- 3 = Backplane
- 4 = Q22-bus device
- 5 = System power supply
- 6 = H3604 console module
- 7 = Battery

(continued on next page)

System Troubleshooting and Diagnostics

5.3 Interpreting Power-On Self-Test and ROM-Based Diagnostic Failures

Table 5–9 (Cont.) KA681/KA691/KA692/KA694 Console Displays As Pointers to FRUs

On Error Hex LED	Normal Console Display	Default Action on Error	On Error Console Display	Test Description	FRU ¹
Script A3					
9	37	Halt	?37	Cache_w_Memory	1, 2
C	C2	Halt	?C2	SSC_RAM_Data_Addr	1
7	80	Halt	?80	CQBIC_memory	1, 2
9	37	Halt	?37	Cache_w_Memory	1, 2
A	51	Halt	?51	FPA	1
4	5F	Halt	?5F	SGEC	1, 6
5	5C	Halt	?5C	SHAC	1, 3
5	5C	Halt	?5C	SHAC	1, 6
8	9A	Halt	?9A	INTERACTION	1,2,3,4
7	83	Halt	?83	QZA_LPBACK1	4
7	84	Halt	?84	QZA_LPBACK2	4
7	85	Halt	?85	QZA_memory	4
7	86	Halt	?86	QZA_DMA	4
B	DB	Halt	?DB	Speed	1
C	41	Halt	?41	Board_Reset	1, 4

Script A4

Invoke script A3 (Loop on A3)

¹Field-replaceable unit key:

- 1 = KA681/KA691/KA692/KA694
- 2 = MS690
- 3 = Backplane
- 4 = Q22-bus device
- 5 = System power supply
- 6 = H3604 console module
- 7 = Battery

(continued on next page)

System Troubleshooting and Diagnostics

5.3 Interpreting Power-On Self-Test and ROM-Based Diagnostic Failures

Table 5–9 (Cont.) KA681/KA691/KA692/KA694 Console Displays As Pointers to FRUs

On Error Hex LED	Normal Console Display	Default Action on Error	On Error Console Display	Test Description	FRU ¹
Script A5					
8	3F	Cont	?3F	Mem_FDM_Addr_Shorts	2, 1, 3
8	3F	Cont	?3F	Mem_FDM_Addr_Shorts	2, 1, 3
8	48	Halt	?48	Memory_Addr_shorts	2, 1, 3
8	48	Halt	?48	Memory_Addr_shorts	2, 1, 3
8	48	Halt	?48	Memory_Addr_shorts	2, 1, 3
8	48	Halt	?48	Memory_Addr_shorts	2, 1, 3
8	48	Halt	?48	Memory_Addr_shorts	2, 1, 3
8	48	Halt	?48	Memory_Addr_shorts	2, 1, 3
8	48	Halt	?48	Memory_Addr_shorts	2, 1, 3
8	48	Halt	?48	Memory_Addr_shorts	2, 1, 3
Script A6					
8	30	Halt	?30	Memory_Init_Bitmap	2, 1, 3
8	4F	Halt	?4F	Memory_Data	2, 1, 3
8	4E	Halt	?4E	Memory_Byte	2, 1, 3
8	4D	Halt	?4D	Memory_Address	2, 1, 3
8	4C	Halt	?4C	Memory_ECC_Logic	2, 1, 3
8	4B	Halt	?4B	Memory_Byte_Errors	2, 1, 3
8	4A	Halt	?4A	Memory_ECC_SBEs	2, 1, 3
8	3F	Halt	?3F	Mem_FDM_Addr_Shorts	2, 1, 3

¹Field-replaceable unit key:

- 1 = KA681/KA691/KA692/KA694
- 2 = MS690
- 3 = Backplane
- 4 = Q22-bus device
- 5 = System power supply
- 6 = H3604 console module
- 7 = Battery

(continued on next page)

System Troubleshooting and Diagnostics

5.3 Interpreting Power-On Self-Test and ROM-Based Diagnostic Failures

Table 5–9 (Cont.) KA681/KA691/KA692/KA694 Console Displays As Pointers to FRUs

On Error Hex LED	Normal Console Display	Default Action on Error	On Error Console Display	Test Description	FRU ¹
Script A6					
8	48	Halt	?48	Mem_Addr_Shorts	2, 1, 3
8	48	Halt	?48	Mem_Addr_Shorts	2, 1, 3
8	48	Halt	?48	Mem_Addr_Shorts	2, 1, 3
8	48	Halt	?48	Mem_Addr_Shorts	2, 1, 3
8	48	Halt	?48	Mem_Addr_Shorts	2, 1, 3
8	48	Halt	?48	Mem_Addr_Shorts	2, 1, 3
8	48	Halt	?48	Mem_Addr_Shorts	2, 1, 3
8	48	Halt	?48	Mem_Addr_Shorts	2, 1, 3
8	48	Halt	?48	Mem_Addr_Shorts	2, 1, 3
8	47	Halt	?47	Memory_Refresh	2, 1, 3
8	40	Halt	?40	Memory_count_pages	2, 1, 3
7	80	Halt	?80	CQBIC_memory	2, 1, 3
Script A8					
8	31	Halt	?31	Memory_Setup_CSRs	2, 1, 3
8	30	Halt	?30	Memory_Init_Bitmap	2, 1, 3
8	49	Halt	?49	Memory_FDM	2, 1, 3
Invoke script A7.					
Script A7					
8	4F	Halt	?4F	Memory_Data	2, 1, 3

¹Field-replaceable unit key:

- 1 = KA681/KA691/KA692/KA694
- 2 = MS690
- 3 = Backplane
- 4 = Q22-bus device
- 5 = System power supply
- 6 = H3604 console module
- 7 = Battery

(continued on next page)

System Troubleshooting and Diagnostics

5.3 Interpreting Power-On Self-Test and ROM-Based Diagnostic Failures

Table 5–9 (Cont.) KA681/KA691/KA692/KA694 Console Displays As Pointers to FRUs

On Error Hex LED	Normal Console Display	Default Action on Error	On Error Console Display	Test Description	FRU ¹
Script A7					
8	4E	Halt	?4E	Memory_Byte	2, 1, 3
8	4D	Halt	?4D	Memory_Address	2, 1, 3
8	4C	Halt	?4C	Memory_ECC_Logic	2, 1, 3
8	4B	Halt	?4B	Memory_Byte_Errors	2, 1, 3
8	4A	Halt	?4A	Memory_ECC_SBEs	2, 1, 3
8	3F	Halt	?3F	Mem_FDM_Addr_shorts	2, 1, 3
8	48	Halt	?48	Memory_Addr_shorts	2, 1, 3
8	48	Halt	?48	Memory_Addr_shorts	2, 1, 3
8	48	Halt	?48	Memory_Addr_shorts	2, 1, 3
8	48	Halt	?48	Memory_Addr_shorts	2, 1, 3
8	48	Halt	?48	Memory_Addr_shorts	2, 1, 3
8	48	Halt	?48	Memory_Addr_shorts	2, 1, 3
8	48	Halt	?48	Memory_Addr_shorts	2, 1, 3
8	48	Halt	?48	Memory_Addr_shorts	2, 1, 3
8	47	Halt	?47	Memory_Refresh	2, 1, 3
8	40	Cont	?40	Memory_count_pages	2, 1, 3
7	80	Cont	?80	CQBIC_memory	2, 1, 3
C	41	Halt	?41	Board_Reset	2, 1, 3
Script A9					

¹Field-replaceable unit key:

- 1 = KA681/KA691/KA692/KA694
- 2 = MS690
- 3 = Backplane
- 4 = Q22-bus device
- 5 = System power supply
- 6 = H3604 console module
- 7 = Battery

(continued on next page)

System Troubleshooting and Diagnostics

5.3 Interpreting Power-On Self-Test and ROM-Based Diagnostic Failures

Table 5–9 (Cont.) KA681/KA691/KA692/KA694 Console Displays As Pointers to FRUs

On Error Hex LED	Normal Console Display	Default Action on Error	On Error Console Display	Test Description	FRU ¹
Script A9					
8	4F	Halt	?4F	Memory_Data	2, 1, 3
8	4E	Halt	?4E	Memory_Byte	2, 1, 3
8	4D	Halt	?4D	Memory_Address	2, 1, 3
8	4C	Halt	?4C	Memory_ECC_Logic	2, 1, 3
8	4B	Halt	?4B	Memory_Byte_Errors	2, 1, 3
8	4A	Halt	?4A	Memory_ECC_SBEs	2, 1, 3
Invoke script A5.					
8	4D	Halt	?4D	Memory_Address	2, 1, 3
8	47	Halt	?47	Memory_Refresh	2, 1, 3
8	40	Cont	?40	Memory_count_pages	2, 1, 3
C	41	Cont	?41	Board_Reset	2, 1, 3
End of script.					

¹Field-replaceable unit key:

- 1 = KA681/KA691/KA692/KA694
- 2 = MS690
- 3 = Backplane
- 4 = Q22-bus device
- 5 = System power supply
- 6 = H3604 console module
- 7 = Battery

5.3.1 FE Utility

In addition to the diagnostic console display and the LED code, the FE utility dumps diagnostic state to the console (Example 5–12). This state indicates the major and minor test code of the test that failed, the 10 parameters associated with the test, and the hardware error summary register.

Running the FE utility is useful if the message Normal operation not possible is displayed after the tests have completed and there is no other error indication, or if you need more information than what is provided in the error display.

System Troubleshooting and Diagnostics

5.3 Interpreting Power-On Self-Test and ROM-Based Diagnostic Failures

Example 5–12 FE Utility Example

```
>>>T FE
Bitmap=07FEC000, Length=00008000, Checksum=0000, Busmap=07FF8000
Test_number=00, Subtest=00, Loop_Subtest=00, Error_type=00
Error_vector=0000, Severity=02, Last_exception_PC=00000000
Total_error_count=0000, Led_display=09, Console_display=9E, save_mchk_code=00
parameter_1=00000000 2=00000000 3=00000000 4=00000000 5=00000000
parameter_6=00000000 7=0001E9FC 8=0001EEE5 9=0001EC72 10=00000000
previous_error=00000000, 00000000, 00000000, 00000000
Flags=FFFF C050 443E BCache_Disable=06 KA680, 128KB BC, 14.0 ns
Return_stack=201406A8, Subtest_pc=2005B225, Timeout=00030D40
Interrupted test number = 48, Subtestlog=04, Loop_Subtestlog=00, Error_type=FF
>>>
```

The most useful fields displayed above are as follows:

- **Error_vector**, which is the SCB vector through which the unexpected interrupt or exception trapped if de_error equals FE or EF.
- **Total_error_count**. Four hex digits showing the number of previous errors that have occurred.
- **Parameters 1 through 10**. Valid only if the test halts on error.
- **Previous_error**. Contains the history of the last four errors. Each longword contains four bytes of information. From left to right these are the de_error, subtest_log, test, and subtest number (00=FF in the de_error).
- **Save machine check code (save_mchk_code)**. Valid only if the test halts on error. This field has the same format as the hardware error summary register.

5.3.2 Overriding Halt Protection

The ROM-based diagnostics run in halt-protected space. When you want to halt diagnostic execution, if the diagnostic program hangs during execution or if the run time of the diagnostic program is so long you want to suspend it, enter the following commands:

```
>>>E 20140010      !Examine the SSCCR
P 20140010      00D55570

>>>D * 00D05570    !Clear halt-protected space
>>>T 0             !Tests can now be halted
```

This state is in effect only until the first break or a restart.

System Troubleshooting and Diagnostics

5.3 Interpreting Power-On Self-Test and ROM-Based Diagnostic Failures

5.3.3 Isolating Memory Failures

This section describes procedures for isolating memory subsystem failures, particularly when the system contains more than one MS690 memory module.

1. SHOW MEMORY/FULL

Use the SHOW MEMORY/FULL command to examine failures detected by the memory tests. Use this command if test 40 fails, which indicates that pages have been marked bad in the bitmap.

You can also use SHOW MEMORY/FULL after terminating a script that is taking an unusually long time to run. After terminating the script, enter SHOW MEMORY/FULL to see if the tests have marked any pages bad up to that point. The following is an example using this command.

```
>>>SHOW MEMORY/FULL
Memory 0: 00000000 to 01FFFFFF, 32MB, 37 bad pages

Total of 32MB, 37 bad pages, 112 reserved pages

Memory Bitmap
-01FF2000 to 01FF3FFF, 16 pages

Console Scratch Area
-01FF4000 to 01FF7FFF, 32 pages

Qbus Map
-01FF8000 to 01FFFFFF, 64 pages

Scan of Bad Pages
-0000C000 to 0000CFFF, 8 pages
-0000E000 to 0000EFFF, 8 pages
-00724200 to 007247FF, 3 pages
-00724A00 to 007251FF, 4 pages
-00725400 to 00725BFF, 4 pages
-00726400 to 00726DFF, 5 pages
-00727400 to 00727DFF, 5 pages

>>>
```

2. T A9

```
>>>T [memory test] starting_board_number ending_board_number
    adr_incr
```

Script A9 runs only the memory tests and halts on the first error detected. Unlike the power-up script, it does not continue. Since the script does not rerun the test, it detects memory-related failures that are not hard errors. You should then run the individual test that failed on each memory module one MS690 module at a time. You can input parameters 1 and 2 of tests 40, 47, 48, and 4A through 4F as the starting and ending address for

System Troubleshooting and Diagnostics

5.3 Interpreting Power-On Self-Test and ROM-Based Diagnostic Failures

testing. It is easier, however, to input the memory module numbers 1–4. For example, if test 4F fails, test the second memory module as follows:

```
>>>T 4F 2 2
```

You should run this test for each memory module; if a failure is detected on MS690 number 2, for example, and there are four memory modules in the system, continue testing the rest of the modules to isolate the FRU using the process of elimination.

You can also specify the address increment. For example, to test the third memory module on each page boundary, type:

```
>>>T 4F 3 3 200
```

By default, the memory tests increment by 1 Mbyte, testing one longword in each 1 Mbyte block. If an error is detected, the tests start testing on a page boundary. Test 48 (address shorts test) is an exception: it checks every location in memory since it can do so in a reasonable amount of time. Other tests, such as 4F (floating ones and zeros test), can take up to one hour, depending on the amount of memory, if each location were to be tested. If you do specify an address increment, do not input less than 200 (testing on a page boundary), since almost all hard memory failures span at least one page. For normal servicing, do not specify the address increment, since it adds unnecessary repair time; most memory subsystem failures can be found using the default parameter.

All memory tests, except for 40, save the MMCD SR, MESR, MEAR in parameters 7, 8, and 9, respectively.

3. T 9C

The utility 9C is useful if test 31 or some other memory test failed because memory was not configured correctly. Refer to Section 4.4 to see an example of the test 9C output.

To help in isolating an FRU, examine registers MEMCON 0–7 by entering T 9C at the console I/O mode prompt.

4. T 40

Although the SHOW MEMORY/FULL command displays pages that are marked bad by the memory test and is easier to interpret than test 40, there is one instance in which test 40 reports information that SHOW MEMORY/FULL does not report. You can use test 40 as an alternative to running script A9 to detect soft memory errors. Specify the third parameter in test 40 (see Table 5–9) to be the threshold for soft errors. To allow zero errors, enter the following:

System Troubleshooting and Diagnostics

5.3 Interpreting Power-On Self-Test and ROM-Based Diagnostic Failures

```
>>>T 40 1 4 0
```

This command tests the memory on four memory modules. Use it after running memory tests individually or within a script. If test 40 fails with `subtestlog = 6`, examine R5–R8 to determine how many errors have been detected.

Additional Troubleshooting Suggestions

If more than one memory module is failing, the CPU module, or backplane, as well as other MS690 modules may be the cause of failure.

Always check the seating of the module before replacing it. If the seating appears to be improper, rerun the tests.

If you are rotating MS690 modules to verify that a particular memory module is causing the failure, be aware that a module may fail in a different way when in a different slot. Be sure that you map out both solid single-bit and multibit ECC failures as shown in step 2 of acceptance testing (Section 4.4), since in one slot a board may fail most frequently with multibit ECC failures, and in another slot with single-bit ECC failures.

Be sure to put the modules back in their original positions when you are finished.

If memory errors are found in the operating system error log, use the CPU ROM-based diagnostics to verify if it is an MS690 problem or if it is related to the CPU or backplane. Follow steps 1–3 of Section 4.4 and step 4 above to aid in isolating the failure.

5.4 Testing DSSI Storage Devices

A DSSI storage device (ISE) may fail either during initial power-up or during normal operation. In both cases, the failure is indicated by the lighting of the red Fault indicator on the drive's front panel.

If the drive is unable to execute the Power-On Self-Test (POST) successfully, the red Fault indicator remains lit and the Run/Ready indicator does not come on, or both indicators remain on.

POST is also used to handle two types of error conditions in the drive:

- *Controller errors* are caused by the hardware associated with the controller function of the drive module. A controller error is fatal to the operation of the drive, since the controller cannot establish a logical connection to the host. The red Fault indicator lights. If this occurs, replace the drive module.

System Troubleshooting and Diagnostics

5.4 Testing DSSI Storage Devices

- *Drive errors* are caused by the hardware associated with the drive control function of the drive module. These errors are not fatal to the drive, since the drive can establish a logical connection and report the error to the host. Both indicators go out for about 1 second, then the red Fault indicator lights. In this case, run either DRVTST, DRVEXR, or PARAMS (described in drive's service documentation) to determine the error code.

Three configuration errors also commonly occur:

- More than one node with the same bus node ID number
- Identical node names
- Identical MSCP unit numbers

The first error cannot be detected by software. Use the SHOW DSSI command to display the second and third types of errors. This command lists each device connected to the DSSI bus by node name and unit number.

If the ISE is connected to its front panel, you must install a bus node ID plug in the corresponding socket on the front panel. If the ISE is not connected to its front panel, it reads the bus node ID from the three-switch DIP switch on the side of the drive. DSSI storage devices contain the following local programs:

DIRECT	A directory, in DUP specified format, of available local programs
BATTST	A battery test for optical disks
DRVTST	A comprehensive drive functionality verification test
DRVEXR	A utility that exercises the ISE
HISTRY	A utility that saves information retained by the drive, including the internal error log
ERASE	A utility that erases all user data from the disk
VERIFY	A utility that is used to determine the amount of "margin" remaining in on-disk structures
DKUTIL	A utility that displays disk structures and disk data
PARAMS	A utility that allows you to look at or change drive status, history, parameters, and the internal error log

Use the SET HOST/DUP command (described in Section 3.8.3.3) to access the local programs listed above. Example 5-13 provides an abbreviated example of running DRVTST for an ISE (Bus node 2 on Bus 0).

System Troubleshooting and Diagnostics

5.4 Testing DSSI Storage Devices

Caution

When running internal drive tests, always use the default (0 = No) in responding to the “Write/read anywhere on medium?” prompt. Answering yes could destroy data.

Example 5–13 Running DRVTST

```
>>>SET HOST/DUP/DSSI/BUS:0 2 DRVTST
Starting DUP server...
Copyright (C) 1992 Digital Equipment Corporation
Write/read anywhere on medium? [1=Yes/(0=No)] Return
  5 minutes to complete.
GAMMA::MSCP$DUP 17-MAY-1991 12:51:20 DRVTST CPU= 0 00:00:09.29 PI=160
GAMMA::MSCP$DUP 17-MAY-1991 12:51:40 DRVTST CPU= 0 00:00:18.75 PI=332
GAMMA::MSCP$DUP 17-MAY-1991 12:52:00 DRVTST CPU= 0 00:00:28.40 PI=503
.
.
.
GAMMA::MSCP$DUP 17-MAY-1991 12:55:42 DRVTST CPU= 0 00:02:13.41 PI=2388
Test passed.
Stopping DUP server...
>>>
```

Example 5–14 provides an abbreviated example of running DRVEXR for an ISE (Bus node 2 on Bus 0).

Caution

When running internal drive tests, always use the default (0 = No) in responding to the “Write/read anywhere on medium?” prompt. Answering yes could destroy data.

System Troubleshooting and Diagnostics

5.4 Testing DSSI Storage Devices

Example 5-14 Running DRVEXR

```
>>>SET HOST/DUP/DSSI/BUS:0 2 DRVEXR
Starting DUP server...
Copyright (C) 1992 Digital Equipment Corporation
Write/read anywhere on medium? [1=Yes/(0=No)] 
Test time in minutes? [(10)-100] 
Number of sectors to transfer at a time? [0 - 50] 5
Compare after each transfer? [1=Yes/(0=No)]: 
Test the DBN area? [2=DBN only/(1=DBN and LBN)/0=LBN only]: 
10 minutes to complete.
GAMMA::MSCP$DUP 17-MAY-1991 13:02:40 DRVEXR CPU= 0 00:00:25.37 PI=1168
GAMMA::MSCP$DUP 17-MAY-1991 13:03:00 DRVEXR CPU= 0 00:00:29.53 PI=2503
GAMMA::MSCP$DUP 17-MAY-1991 13:03:20 DRVEXR CPU= 0 00:00:33.89 PI=3835
.
.
.
GAMMA::MSCP$DUP 17-MAY-1991 13:12:24 DRVEXR CPU= 0 00:02:24.19 PI=40028
13332 operations completed.
33240 LBN blocks (512 bytes) read.
0 LBN blocks (512 bytes) written.
33420 DBN blocks (512 bytes) read.
0 DBN blocks (512 bytes) written.
0 bytes in error (soft).
0 uncorrectable ECC errors.
Complete.
Stopping DUP server...
>>>
```

Refer to the *RF-Series Integrated Storage Element Service Guide* for instructions on running these programs.

5.5 Using MOP Ethernet Functions to Isolate Failures

The console requester can receive LOOPED_DATA messages from the server by sending out a LOOP_DATA message using NCP to set this up. An example follows.

Identify the Ethernet adapter address for the system under test (system 1) and attempt to boot over the network.

System Troubleshooting and Diagnostics

5.5 Using MOP Ethernet Functions to Isolate Failures

```
***system 1 (system under test)***
```

```
>>>SHOW ETHERNET
Ethernet Adapter
-EZA0 (08-00-2B-28-18-2C)
>>>BOOT EZA0
(BOOT/R5:2 EZA0)

2..
-EZA0
Retrying network bootstrap.
```

Unless the system is able to boot, the “Retrying network bootstrap” message will display every 8–12 minutes.

Identify the system’s Ethernet circuit and circuit state, enter the **SHOW KNOWN CIRCUITS** command from the system conducting the test (system 2).

```
***system 2 (system conducting test)***
```

```
$ MCR NCP
NCP>SHOW KNOWN CIRCUITS

Known Circuit Volatile Summary as of 14-NOV-1991 16:01:53

   Circuit          State          Loopback      Adjacent
                Name          Name          Routing Node

   ISA-0            on                25.1023 (LAR25)

NCP>SET CIRCUIT ISA-0 STATE OFF
NCP>SET CIRCUIT ISA-0 SERVICE ENABLED
NCP>SET CIRCUIT ISA-0 STATE ON
NCP>LOOP CIRCUIT ISA-0 PHYSICAL ADDRESS 08-00-2B-28-18-2C
WITH ZEROES
NCP>EXIT
$
```

If the loopback message was received successfully, the NCP prompt will reappear with no messages.

The following two examples show how to perform the Loopback Assist Function using another node on the network as an assistant (system 3) and the system under test as the destination. Both assistant and system under test are attempting to boot from the network. We will also need the physical address of the assistant node.

System Troubleshooting and Diagnostics

5.5 Using MOP Ethernet Functions to Isolate Failures

```
***system #3 (loopback assistant)***
```

```
>>>SHOW ETHERNET
Ethernet Adapter
-EZA0 (08-00-2B-1E-76-9E)
>>>b eza0
(BOOT/R5:2 EZA0)

2..
-EZA0
Retrying network bootstrap.
```

```
***system 2***
```

```
NCP>LOOP CIRCUIT ISA-0 PHYSICAL ADDRESS 08-00-2b-28-18-2C ASSISTANT PHYSICAL
ADDRESS 08-00-2B-1E-76-9E WITH MIXED COUNT 20 LENGTH 200 HELP FULL
NCP>
```

Instead of using the physical address, you could use the assistant node's area address. When using the area address, system 3 is running the OpenVMS operating system.

```
***system 3***
```

```
$MCR NCP
```

```
NCP>SHOW NODE KLATCH
```

```
Node Volatile Summary as of 27-FEB-1992 21:04:11
```

```
Executor node = 25.900 (KLATCH)
```

```
State = on
Identification = DECnet-VAX V5.4-1, OpenVMS V5.4-2
Active links = 2
```

```
NCP>SHOW KNOWN LINES CHARACTERISTICS
```

```
Known Line Volatile Characteristics as of 27-FEB-1992 11:20:50
```

```
Line = ISA-0
```

```
Receive buffers = 6
Controller = normal
Protocol = Ethernet
Service timer = 4000
Hardware address = 08-00-2B-1E-76-9E
Device buffer size = 1498
```

```
NCP>SET CIRCUIT ISA-0 STATE OFF
```

```
NCP>SET CIRCUIT ISA-0 SERVICE ENABLED
```

```
NCP>SET CIRCUIT ISA-0 STATE ON
```

```
NCP>EXIT
```

```
$
```

```
***system 2***
```

```
$ MCR NCP
```

```
NCP>LOOP CIRCUIT ISA-0 PHYSICAL ADDRESS 08-00-2B-28-18-2C ASSISTANT NODE 25.900
WITH MIXED COUNT 20 LENGTH 200 HELP FULL
```

```
NCP>EXIT
```

```
$
```

System Troubleshooting and Diagnostics

5.5 Using MOP Ethernet Functions to Isolate Failures

Note

The kernel's Ethernet buffer is 1024 bytes deep for the LOOP functions and will not support the maximum 1500-byte transfer length.

In order to verify that the address is reaching this node, a remote node can examine the status of the periodic SYSTEM_IDS sent by the KA681/KA691/KA692/KA694 Ethernet server. The SYSTEM_ID is sent every 8–12 minutes using NCP as in the following example:

```
***system 2***

$ MCR NCP
NCP>SET MODULE CONFIGURATOR CIRCUIT ISA-0 SURVEILLANCE ENABLED
NCP>SHOW MODULE CONFIGURATOR KNOWN CIRCUITS STATUS TO ETHER.LIS
NCP>EXIT
$ TYPE ETHER.LIS

Circuit name           = ISA-0
Surveillance flag      = enabled
Elapsed time           = 00:09:37
Physical address       = 08-00-2B-28-18-2C
Time of last report    = 27-Feb 11:50:34
Maintenance version    = V4.0.0
Function list          = Loop, Multi-block loader, Boot, Data link counters
Hardware address       = 08-00-2B-28-18-2C
Device type            = ISA
```

Depending on your network, the file used to receive the output from the SHOW MODULE CONFIGURATOR command may contain many entries, most of which do not apply to the system you are testing. It is helpful to use an editor to search the file for the Ethernet hardware address of the system under test. Existence of the hardware address verifies that you are able to receive the address from the system under test.

5.6 Interpreting User Environmental Test Package (UETP) OpenVMS Failures

When UETP encounters an error, it reacts like a user program. It either returns an error message and continues, or it reports a fatal error and terminates the image or phase. In either case, UETP assumes the hardware is operating properly and it does not attempt to diagnose the error.

System Troubleshooting and Diagnostics

5.6 Interpreting User Environmental Test Package (UETP) OpenVMS Failures

If the cause of an error is not readily apparent, use the following methods to diagnose the error:

- *OpenVMS Error Log Utility*—Run the Error Log Utility to obtain a detailed report of hardware and system errors. Error log reports provide information about the state of the hardware device and I/O request at the time of each error. For information about running the Error Log Utility, refer to the *OpenVMS Error Log Utility Manual* and Section 5.2 of this manual.
- *Diagnostic facilities*—Use the diagnostic facilities to test exhaustively a device or medium to isolate the source of the error.

5.6.1 Interpreting UETP Output

You can monitor the progress of UETP tests at the terminal from which they were started. This terminal always displays status information, such as messages that announce the beginning and end of each phase and messages that signal an error.

The tests send other types of output to various log files, depending on how you started the tests. The log files contain output generated by the test procedures. Even if UETP completes successfully, with no errors displayed at the terminal, it is good practice to check these log files for errors. Furthermore, when errors are displayed at the terminal, check the log files for more information about their origin and nature.

5.6.1.1 UETP Log Files

UETP stores all information generated by all UETP tests and phases from its current run in one or more UETP.LOG files, and it stores the information from the previous run in one or more OLDUETP.LOG files. If a run of UETP involves multiple passes, there will be one UETP.LOG or one OLDUETP.LOG file for each pass.

At the beginning of a run, UETP deletes all OLDUETP.LOG files, and renames any UETP.LOG files to OLDUETP.LOG. Then UETP creates a new UETP.LOG file and stores the information from the current pass in the new file. Subsequent passes of UETP create higher versions of UETP.LOG. Thus, at the end of a run of UETP that involves multiple passes, there is one UETP.LOG file for each pass. In producing the files UETP.LOG and OLDUETP.LOG, UETP provides the output from the two most recent runs.

If the run involves multiple passes, UETP.LOG contains information from all the passes. However, only information from the latest run is stored in this file. Information from the previous run is stored in a file named OLDUETP.LOG.

System Troubleshooting and Diagnostics

5.6 Interpreting User Environmental Test Package (UETP) OpenVMS Failures

Using these two files, UETP provides the output from its tests and phases from the two most recent runs.

The cluster test creates a NETSERVER.LOG file in SYS\$TEST for each pass on each system included in the run. If the test is unable to report errors (for example, if the connection to another node is lost), the NETSERVER.LOG file on that node contains the result of the test run on that node. UETP does not purge or delete NETSERVER.LOG files; therefore, you must delete them occasionally to recover disk space.

If a UETP run does not complete normally, SYS\$TEST might contain other log files. Ordinarily these log files are concatenated and placed within UETP.LOG. You can use any log files that appear on the system disk for error checking, but you must delete these log files before you run any new tests. You may delete these log files yourself or rerun the entire UETP, which checks for old UETP.LOG files and deletes them.

5.6.1.2 Possible UETP Errors

This section is intended to help you identify problems you might encounter running UETP.

The following are the most common failures encountered while running UETP:

- Wrong quotas, privileges, or account
- UETINIT01 failure
- Ethernet device allocated or in use by another application
- Insufficient disk space
- Incorrect VAXcluster setup
- Problems during the load test
- DECnet-VAX error
- Lack of default access for the FAL object
- Errors logged but not displayed
- No PCB or swap slots
- Hangs
- Bug checks and machine checks

For more information refer to the *VAX 3520, 3540 OpenVMS Installation and Operations (ZKS166)* manual.

System Troubleshooting and Diagnostics
5.7 Using Loopback Tests to Isolate Failures

5.7 Using Loopback Tests to Isolate Failures

You can use external loopback tests to isolate problems with the console port, DSSI adapters (SHAC chips), Ethernet controller (SGEC chip), and many common Q-bus options.

If one or more of these tests fail, check that the DC power and Pico fuses on the H3604 are OK. There are four Pico fuses located on the back of the H3604 console module. One fuse (F3) is on the outside, the other three are on the component side. **If a fuse is bad, replace the fuse—not the H3604.**

Table 5–10 lists symptoms associated with faulty fuses. Figure 5–10 shows the location of the H3604 fuses.

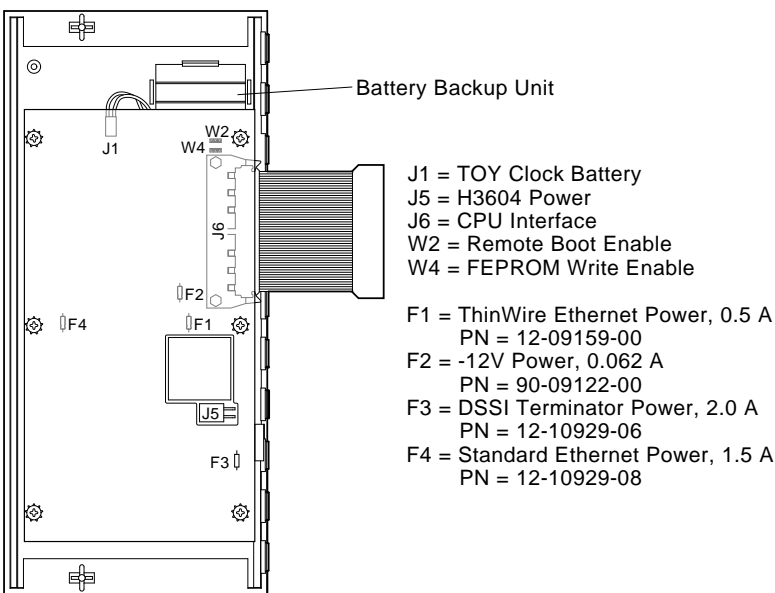
Table 5–10 H3604 Console Module Fuses

Fuse	Part Number	Symptom
F1 (+12 V, 1/2 A)	12–09159–00	ThinWire Ethernet LED on H3604 is not lit. Ethernet external loopback test 5F fails if the Ethernet connector switch is set to ThinWire.
F2 (-12 V, 1/16 A)	90–09122–00	No console display
F3 (+5 V, 2 A)	12–10929–06	LEDs on both DSSI terminators (Bus 1) on the H3604 console module are not lit; the DSSI terminator for Bus 0 is lit. SHOW DSSI or SHOW DEVICE commands show DSSI bus 0, but console displays message indicating that DSSI bus 1 terminators are missing or not functioning. DSSI SHAC (Bus 1) test 5C fails (countdown number 11).
F4 (+12 V, 1.5 A)	12–10929–08	The LED on the loopback connector (12-22196-02) for standard Ethernet is not lit. External loopback test 5F for the standard Ethernet passes, however.

System Troubleshooting and Diagnostics

5.7 Using Loopback Tests to Isolate Failures

Figure 5–10 H3604 Console Module Fuses



MLO-006351

5.7.1 Testing the Console Port

To test the console port at power-up, set the Power-Up Mode switch on the H3604 console module to the Loop Back Test Mode position (bottom) and install an H3103 loopback connector into the MMJ of the H3604. The H3103 connects the console port transmit and receive lines. At power-up, the SLU_EXT_LOOPBACK test then runs a continuous loopback test.

While the test is running, the LED display on the H3604 console module should alternate between 6 and 3. A value of 6 latched in the display indicates a test failure. If the test fails, one of the following parts is faulty: the KA681/KA691/KA692/KA694, the H3604, or the cabling.

To test out to the end of the console terminal cable:

1. Plug the MMJ end of the console terminal cable into the H3604.
2. Disconnect the other end of the cable from the terminal.
3. Place an H8572 adapter into the disconnected end of the cable.
4. Connect the H3103 to the H8572.
5. Cycle power and observe the LED.

System Troubleshooting and Diagnostics

5.7 Using Loopback Tests to Isolate Failures

5.7.2 Embedded DSSI Loopback Testing

Note

Loopback tests do not test for termination power. Use the following procedure to check termination power:

Remove the external DSSI cable and terminate Buses 0 and 1. Check the terminator LEDs to see if termination power is present.

- No termination power at Bus 0 indicates a possible problem with the internal cable (PN 17–02502–01) that connects DSSI Bus 0 from the backplane.
- No termination power at Bus 1 indicates a possible problem with the Pico fuse (F3, PN 12–10929–06) on the H3604 console module or the power harness module (PN 54–19789–01) for the console module. Refer to Table 5–10 for symptoms of bad fuses.)

Power for DSSI Bus 0 is supplied by the Vterm regulator module, which plugs into the BA440 backplane. There are no fuses on this module. Refer to Figure 2–9.

Test 56 tests both SHAC chips (the DSSI adapters). This test can be used to check both or all four SHAC chips, the internal DSSI (Bus 0) connectivity, external DSSI cables, and the H3604 DSSI bus interconnect. You must tell Test 56 what buses to test. You can test either buses 0 and 1 or buses 2 and 3. Complete the following procedures before running test 56.

1. Make sure the system is powered down, then connect DSSI Bus 0 to DSSI Bus 1 with a standard external DSSI cable (BC21M–09). Place a DSSI terminator on the remaining DSSI connector for Bus 1. It is not critical which Bus 1 connector is used in connecting the cable.

Note

The DSSI bus must be terminated for the tests to execute successfully.

2. Remove all DSSI bus node ID plugs from storage devices on the two buses to be tested.
3. Install bus node ID plugs on the console module (H3604) so that Bus 0 and Bus 1 do not have the same bus node ID. For example, assign bus node ID 6 to Bus 0 and bus node ID 7 to Bus 1. Do a SHOW DSSI_ID and verify that the buses to be tested have unique IDs.

System Troubleshooting and Diagnostics

5.7 Using Loopback Tests to Isolate Failures

4. Power up the system. Note that the red Fault indicator on the ISE front panels will remain lit. This is normal when the bus node ID plugs have been removed.
5. Run test 56. When tests have successfully completed, the console prompt is displayed.

Note

The sequence of the bus id is *from* and *to*. The following example reads:
run test 56 *from* bus 0 *to* bus 1.

```
>>>T 56 0 1
>>>
```

Note

It is recommended that you run Test 56 both ways. Using the above example, you should also run test 56 from bus 1 to bus 0.

This loopback test is useful for isolating DSSI problems. A list of FRUs in order of probability follows:

1. The external BC21M-09 cable
2. The Vterm dual regulator module (PN 54-20404-01)
3. The internal cable that connects DSSI Bus 0 from the backplane to the edge of the enclosure (PN 17-02502-01)
4. The internal cable that connects the CPU to the H3604 (PN 17-02353-01)
5. The 2.0 A Pico fuse (F3) on the H3604 (PN 12-10929-06)
6. The KA681/KA691/KA692/KA694 module

Test 58 is a SHAC and ISE reset and can be used to verify that ISEs can be accessed on the DSSI storage bus. Test 58 causes data packets to be passed between the ISEs and the adapters, verifying that the ISEs are accessible.

Enter T 58 and specify DSSI bus (0 or 1) and the DSSI node ID of the ISE to be tested.

```
>>>T 58 0 5
```

In the example above, Bus 0 node 5 was tested. (Each ISE has to be tested separately.)

System Troubleshooting and Diagnostics

5.7 Using Loopback Tests to Isolate Failures

5.7.3 Embedded Ethernet Loopback Testing

Note

Before running Ethernet loopback tests, check that the problem is not due to a missing terminator on a ThinWire T-connector. Also, refer to Table 5-10 to check for symptoms of a bad fuse.

Test 5F is the internal loopback test for SGEC (Ethernet controller).

>>>T 5F

For an external SGEC loopback, enter "1".

>>>T 5F 1

Before running test 5F on the ThinWire Ethernet port, connect an H8223 T-connector with two H8225 terminators.

Before running test 5F on the standard Ethernet port, you must have a 12-22196-02 loopback connector installed.

Note

Make sure the Ethernet Connector Switch is set for the correct Ethernet port.

T 59 polls other nodes on Ethernet to verify SGEC functionality. The Ethernet cable must be connected to a functioning Ethernet. A series of MOP messages are generated; look for response messages from other nodes.

>>>T 59

Reply received from node: AA-00-04-00-FC-64

Total responses: 1

Reply received from node: AA-00-04-00-47-16

Total responses: 2

Reply received from node: 08-00-2B-15-48-70

Total responses: 3

.

.

.

Reply received from node: AA-00-04-00-17-14

Total responses: 25

>>>

System Troubleshooting and Diagnostics

5.7 Using Loopback Tests to Isolate Failures

5.7.4 Q-Bus Option Loopback Testing

Module self-tests run when you power up the system. A module self-test can detect hard or repeatable errors, but usually not intermittent errors.

A pass by a module self-test does not guarantee that the module is good, because the test usually checks only the controller logic.

Table 5–11 lists loopback connectors for common devices. Refer to the *Microsystems Options* manual for a description of specific module self-tests.

Table 5–11 Loopback Connectors for Common Devices

Device	Module Loopback	Cable Loopback
CXA16/CXB16	H3103 + H8572 ¹	–
CXY08	H3046 (50-pin)	H3197 (25-pin)
DEFQA	12–3200S–01	–
DIV32	H3072	–
DPV11	12–15336–10 or H325	H329 (12–27351–01)
DRQB3	–	17–01481–01 (from port 1 to port 2)
DRV1J	–	BC06R
DRV1W	70–24767–01	–
Ethernet ²	–	–
IBQ01	IBQ01–TA	
IEQ11	17–01988–01	–
KA6nn/H3604	H3103	H3103 + H8572
KFQSA	DSSI terminators	–
KMV1A	H3255	H3251
KZQSA	12–30552–01	–
LPV11	12–15336–11	–

¹Use the appropriate cable to connect transmit-to-receive lines. H3101 and H3103 are double-ended cable connectors.

²For ThinWire, use H8223–00 plus two H8225–00 terminators. For standard Ethernet, use 12–22196–02.

6

FEPROM Firmware Update

KA681/KA691/KA692/KA694 firmware is located on two chips, each 256 K by 8 bits of FLASH programmable EPROMs, for a total of 512 Kbytes of ROM. (A FLASH EPROM (FEPROM) is a programmable read-only memory that uses electrical [bulk] erasure rather than ultraviolet erasure.)

FEPROMs provide nonvolatile storage of the CPU power-up diagnostics, console interface, and operating system primary bootstrap (VMB). An advantage of this technology is that the entire image in the FEPROMs may be erased, reprogrammed, and verified in place without removing the CPU module or replacing components.

A slight disadvantage to the FEPROM technology is that the entire part must be erased before reprogramming. Hence, there is a small "window of vulnerability" when the CPU has inoperable firmware. Normally, this window is less than 30 seconds. Nonetheless, an update should be allowed to execute undisturbed.

Firmware updates are provided through a package called the Firmware Update Utility. A Firmware Update Utility contains a bootable image, which can be booted from tape or Ethernet, that performs the FEPROM update. Firmware update packages, like software, are distributed through Digital's Software Support Business (SSB). Service engineers are notified of updates through a service blitz or Engineering Change Order (ECO)/Field Change Order (FCO) notification.

Note

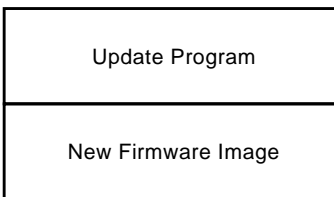
The NVAX CPU chip has an area called the Patchable Control Store (PCS), which can be used to update the microcode for the CPU chip.

Updates to the PCS require a new version of the firmware.

FEPRM Firmware Update

A Firmware Update Utility image consists of two parts, the update program and the new firmware, as shown in Figure 6–1. The update program uniformly programs, erases, reprograms, and verifies the entire FEPRM.

Figure 6–1 Firmware Update Utility Layout



MLO-007271

Once the update has completed successfully, normal operation of the system may continue. The operator may then either halt or reset the system and reboot the operating system.

6.1 Preparing the Processor for a FEPRM Update

Complete the following steps to prepare the processor for a FEPRM update:

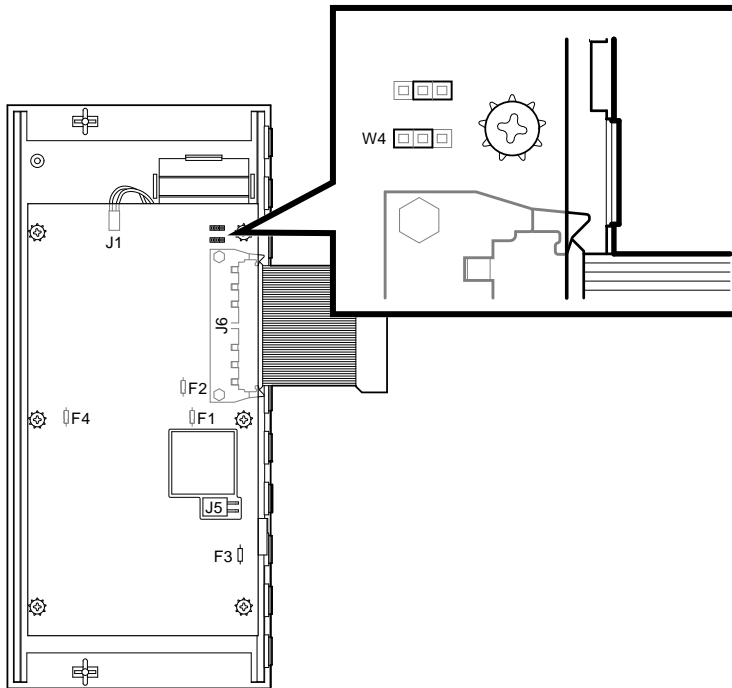
1. The system manager should perform operating system shutdown.
2. Enter console mode by pressing the Halt button twice—in to halt the system, and out to enter console mode (>>>). If the Break Enable/Disable switch on the console module is set to enable (indicated by 1), you can halt the system by pressing the **Break** key on the console terminal.
3. In order to update the firmware, jumper W4 on the inside of the H3604 console module must be in the "write enable mode," as shown in Figure 6–2. (Write enable is the factory setting.)

To access the jumper you must open the H3604 console module by unlocking the two half-turn screws that hold it closed.

FEPROM Firmware Update

6.1 Preparing the Processor for a FEPROM Update

Figure 6-2 W4 Jumper Setting for Updating Firmware



MLO-007697

6.2 Updating Firmware via Ethernet

To update firmware via the Ethernet, the “client” system (the target system to be updated) and the “server” system (the system that serves boot requests) must be on the same Ethernet segment. The Maintenance Operation Protocol (MOP) is the transport used to copy the network image.

Use the following procedure to update firmware via the Ethernet:

1. Be sure H3604 jumper W4 is in the correct (“write enable mode”) position (Section 6.1).
2. Enable the server system’s NCP circuit using the following OpenVMS commands:

```
$ MCR NCP
NCP>SET CIRCUIT <circuit> STATE OFF
NCP>SET CIRCUIT <circuit> SERVICE ENABLED
NCP>SET CIRCUIT <circuit> STATE ON
```

FEPROM Firmware Update

6.2 Updating Firmware via Ethernet

Where <circuit> is the system Ethernet circuit. Use the SHOW KNOWN CIRCUITS command to find the name of the circuit.

Note

The SET CIRCUIT STATE OFF command will bring down the system's network.

3. From the tape provided, copy the file containing the updated code to the MOM\$LOAD area on the server (this procedure may require system privileges). Refer to the *Firmware Update Utility Release Notes* for the Ethernet bootable filename. Use the following command to copy the file:

```
$ COPY <filename>.SYS MOM$LOAD:*.*
```

Where <filename> is the Ethernet bootable filename provided in the release notes.

4. On the client system, enter the command BOOT/100 EZ at the console prompt (>>>).

The system then prompts you for the name of the file.

Note

Do NOT type the ".SYS" suffix when entering the Ethernet bootfile name. The MOP load protocol only supports 15 character filenames.

5. After the FEPROM upgrade program is loaded, simply type "Y" at the prompt to start the FEPROM blast. Example 6-1 provides a console display of the FEPROM update program.

Caution

Once you enter the bootfile name, do not interrupt the FEPROM blasting program, as this can damage the CPU module. The program takes, at most, several minutes to complete.

Note

On systems with a VCB02 terminal, you will see an abbreviated form of the following example.

FEPROM Firmware Update 6.2 Updating Firmware via Ethernet

Example 6–1 FEPROM Update via Ethernet

```
***** On Server System *****

$ MCR NCP
NCP>SET CIRCUIT ISA-0 STATE OFF
NCP>SET CIRCUIT ISA-0 SERVICE ENABLED
NCP>SET CIRCUIT ISA-0 STATE ON
NCP>EXIT
$
$ COPY KA6xx_Vxx_EZ.SYS MOM$LOAD:*. *
$

***** On Client System *****

>>> BOOT/100 EZA0
(BOOT/R5:100 EZA0)

2..
Bootfile: KA6xx_Vxx_EZ
-EZA0

1..0..

FEPROM BLASTING PROGRAM
blasting in Vx.x...

FEPROM update program

          ---CAUTION---
--- Executing this program will change your current FEPROM ---
Do you really want to continue [Y/N] ? : Y

Blasting in Vx.x. The program will take at most several minutes.

DO NOT ATTEMPT TO INTERRUPT PROGRAM EXECUTION!
Doing so may result in loss of operable state!

+-----+
10...9...8...7...6...5...4...3...2...1...0

FEPROM Programming successful
?06 HLT INST
      PC=0000xxxx
>>>show version
KA6xx-A Vx.x, VMB x.xx
```

6. Press the Restart button on the SCP or enter "T 0" at the console prompt (>>>).
7. If the customer requires, return jumper W4 on the inside of the H3604 console module to the "write disable mode" setting and close and secure the console module by locking the half-turn screws.

FEPROM Firmware Update

6.3 Updating Firmware via Tape

6.3 Updating Firmware via Tape

To update firmware via tape, the system must have a TF85/TF86, TK70, or TK50 tape drive.

If you need to make a bootable tape, copy the bootable image file to a tape as shown in the following example. Refer to the release notes for the name of the file.

```
$ INIT MIA5:"VOLUME_NAME"  
$ MOUNT/BLOCK_SIZE = 512 MIA5:"VOLUME_NAME"  
$ COPY/CONTIG <file_name> MIA5:<file_name>  
$ DISMOUNT MIA5  
$
```

Use the following procedure to update firmware via tape:

1. Be sure H3604 jumper W4 is in the correct ("write enable mode") position (Section 6.1).
2. At the console prompt (>>>), enter the BOOT/100 command for the tape device, for example: BOOT/100 MIA5.

Use the SHOW DEVICE command if you are not sure of the device name for the tape drive.

The system prompts you for the name of the file. Enter the bootfile name.

3. After the FEPROM upgrade program is loaded, simply type "Y" at the prompt to start the FEPROM blast. Example 6-2 provides a console display of the FEPROM update program.

Caution

Once you enter the bootfile name, do not interrupt the FEPROM blasting program, as this can damage the CPU module. The program takes several minutes to complete.

Note

On systems with a VCB02 terminal, you will see an abbreviated form (Example 6-2).

4. Press the Restart button on the SCP or enter "T 0" at the console prompt (>>>).

FEPROM Firmware Update 6.3 Updating Firmware via Tape

5. If the customer requires, return jumper W4 on the inside of the H3604 console module to the "write disable mode" setting and close and secure the console module by locking the half-turn screws.

Example 6–2 FEPROM Update via Tape

```
>>> BOOT/100 MIA5
(BOOT/R5:100 MIA5)

2..
Bootfile: KA6xx_Vxx.EXE
-MIA5

1..0..

FEPROM update program
blasting in V4.1...

          ---CAUTION---
--- Executing this program will change your current FEPROM ---
Do you really want to continue [Y/N] ? : Y

Blasting in Vx.x      The program will take at most several minutes.

DO NOT ATTEMPT TO INTERRUPT PROGRAM EXECUTION!
Doing so may result in loss of operable state!

+-----+
10...9...8...7...6...5...4...3...2...1...0

FEPROM Programming successful
?06 HLT INST
      PC = 0000xxxx
>>>show version
KA6xx Vx.x, VMB x.xx
```

6.4 FEPROM Update Error Messages

The following is a list of error messages generated by the FEPROM update program and actions to take if the errors occur.

MESSAGE:

update enable jumper is disconnected
unable to blast ROMs...

ACTION:

Reposition update enable jumper (Section 6.1).

FEPROM Firmware Update

6.4 FEPROM Update Error Messages

MESSAGE:

ROM programming error-expected byte: xx actual byte: xx
at address: xxxxxxxx

ACTION:

Replace the CPU module.

MESSAGE:

ROM uniform pgming error-expected byte: 00 actual byte: xx
at address: xxxxxxxx

ACTION:

Turn off the system, then turn it on. If you see the banner message as expected, reenter console mode and try booting the update program again. If you do not see the usual banner message, replace the CPU module.

MESSAGE:

ROM erase error-expected byte: ff actual byte: xx
at address: xxxxxxxx

ACTION:

Replace the CPU module.

Patchable Control Store (PCS) Loading Error Messages

The following is a list of error messages that may appear if there is a problem with the PCS. The PCS is loaded as part of the power-up stream (before ROM-based diagnostics are executed).

MESSAGE:

CPU is not an NVAX

COMMENT:

CPU_TYPE as read in NVAX SID is not = 19 (decimal), as it should be for an NVAX processor.

MESSAGE:

Microcode patch/CPU rev mismatch

COMMENT:

Header in microcode patch does not match MICROCODE_REV as read in NVAX SID.

MESSAGE:

PCS Diagnostic failed

COMMENT:

Something is wrong with the PCS. Replace the NVAX chip (or CPU module).

FEPROM Firmware Update 6.4 FEPROM Update Error Messages

MESSAGE:

Unexpected SIE

COMMENT:

SYS_TYPE as read in the ROM SIE does not reflect that an NVAX CPU is present.

A

KA681/KA691/KA692/KA694 Firmware Commands

This appendix provides information on console mode control characters and firmware commands for the CPU module.

A.1 Console I/O Mode Control Characters

In console I/O mode, several characters have special meaning:

RETURN

Also <CR>. The carriage return ends a command line. No action is taken on a command until after it is terminated by a carriage return. A null line terminated by a carriage return is treated as a valid, null command. No action is taken, and the console prompts for input. Carriage return is echoed as carriage return, line feed (<CR><LF>).

RUBOUT

When you press **RUBOUT**, the console deletes the previously typed character. The resulting display differs, depending on whether the console is a video or a hardcopy terminal.

For hardcopy terminals, the console echoes a backslash (\), followed by the deletion of the character. If you press additional rubouts, the additional deleted characters are echoed. If you type a nonrubout character, the console echoes another backslash, followed by the character typed. The result is to echo the characters deleted, surrounding them with backslashes. For example:

```
EXAMI;E RUBOUT RUBOUTNE<CR>
```

The console echoes: EXAMI;E\E;\NE<CR>

The console sees the command line: EXAMINE<CR>

For video terminals, the previous character is erased and the cursor is restored to its previous position.

The console does not delete characters past the beginning of a command line. If you press more rubouts than there are characters on the line, the extra rubouts are ignored. A rubout entered on a blank line is ignored.

KA681/KA691/KA692/KA694 Firmware Commands

A.1 Console I/O Mode Control Characters

<code>CTRL/A</code> and F14	Toggle insertion/overstrike mode for command line editing. By default, the console powers up to overstrike mode.
<code>CTRL/B</code> or up_ arrow (or down_ arrow)	Recalls previous command(s). Command recall is only operable if sufficient memory is available. This function may then be enabled and disabled using the SET RECALL command.
<code>CTRL/D</code> and left arrow	Move cursor left one position.
<code>CTRL/E</code>	Moves cursor to the end of the line.
<code>CTRL/F</code> and right arrow	Move cursor right one position.
<code>CTRL/H</code> , backspace, and F12	Move cursor to the beginning of the line.
<code>CTRL/U</code>	Echoes ^U<CR> and deletes the entire line. Entered but otherwise ignored if typed on an empty line.
<code>CTRL/S</code>	Stops output to the console terminal until <code>CTRL/Q</code> is typed. Not echoed.
<code>CTRL/Q</code>	Resumes output to the console terminal. Not echoed.
<code>CTRL/R</code>	Echoes <CR><LF>, followed by the current command line. Can be used to improve the readability of a command line that has been heavily edited.
<code>CTRL/C</code>	Echoes ^C<CR> and aborts processing of a command. When entered as part of a command line, deletes the line.
<code>CTRL/O</code>	Ignores transmissions to the console terminal until the next <code>CTRL/O</code> is entered. Echoes ^O when disabling output, not echoed when it reenables output. Output is reenabled if the console prints an error message, or if it prompts for a command from the terminal. Output is also enabled by entering console I/O mode, by pressing the <code>BREAK</code> key, and by pressing <code>CTRL/C</code> .

A.1.1 Command Syntax

The console accepts commands up to 80 characters long. Longer commands produce error messages. The character count does not include rubouts, rubbed-out characters, or the `RETURN` at the end of the command.

You can abbreviate a command by entering only as many characters as are required to make the command unique. Most commands can be recognized from their first character. See Table A-5.

The console treats two or more consecutive spaces and tabs as a single space. Leading and trailing spaces and tabs are ignored. You can place command qualifiers after the command keyword or after any symbol or number in the command.

KA681/KA691/KA692/KA694 Firmware Commands

A.1 Console I/O Mode Control Characters

All numbers (addresses, data, counts) are hexadecimal (hex), but symbolic register names contain decimal register numbers. The hex digits are 0 through 9 and A through F. You can use uppercase and lowercase letters in hex numbers (A through F) and commands.

The following symbols are qualifier and argument conventions:

[] An optional qualifier or argument

{ } A required qualifier or argument

A.1.2 Address Specifiers

Several commands take one or more addresses as arguments. An address defines the address space and the offset into that space. The console supports five address spaces:

- Physical memory
- Virtual memory
- General purpose registers (GPRs)
- Internal processor registers (IPRs)
- The PSL

The address space that the console references is inherited from the previous console reference, unless you explicitly specify another address space. The initial address space is physical memory.

A.1.3 Symbolic Addresses

The console supports symbolic references to addresses. A symbolic reference defines the address space and the offset into that space. Table A–1 lists symbolic references supported by the console, grouped according to address space. You do not have to use an address space qualifier when using a symbolic address.

Table A–1 Console Symbolic Addresses

Symb	Addr	Symb	Addr	Symb	Addr	Symb	Addr
/G—General Purpose Registers							
R0	00	R4	04	R8	08	R12 (AP)	0C
R1	01	R5	05	R9	09	R13 (FP)	0D
R2	02	R6	06	R10	0A	R14 (SP)	0E

(continued on next page)

KA681/KA691/KA692/KA694 Firmware Commands

A.1 Console I/O Mode Control Characters

Table A-1 (Cont.) Console Symbolic Addresses

Symb	Addr	Symb	Addr	Symb	Addr	Symb	Addr
/G—General Purpose Registers							
R3	03	R7	07	R11	0B	R15 (PC)	0F
/M—Processor Status Longword							
PSL	—						
/I—Internal Processor Registers							
pr\$_ksp	00	pr\$_pcbb	10	pr\$_rxcs	20	—	30
pr\$_esp	01	pr\$_scbb	11	pr\$_rxdb	21	—	31
pr\$_ssp	02	pr\$_ipl	12	pr\$_txcs	22	—	32
pr\$_usp	03	pr\$_astlv	13	pr\$_txdb	23	—	33
pr\$_isp	04	pr\$_sirr	14	—	24	—	34
—	05	pr\$_sisr	15	—	25	—	35
—	06	—	16	pr\$_mcesr	26	—	36
—	07	—	17	—	27	pr\$_ioreset	37
pr\$_p0br	08	pr\$_iccs	18	—	28	pr\$_mapen	38
pr\$_p0lr	09	pr\$_nicr	19	—	29	pr\$_tbia	39
pr\$_p1br	0A	pr\$_icr	1A	pr\$_savpc	2A	pr\$_tbis	3A
pr\$_p1lr	0B	pr\$_todr	1B	pr\$_savpsl	2B	—	3B
pr\$_sbr	0C	—	1C	—	2C	—	3C
pr\$_slr	0D	—	1D	—	2D	—	3D
—	0E	—	1E	—	2E	pr\$_sid	3E
—	0F	—	1F	—	2F	pr\$_tbchk	3F
pr\$_ecr	7D						
pr\$_cctl	A0	pr\$_neoadr	B0	pr\$_vmar	D0	—	F0
—	A1	—	B1	pr\$_vtag	D1	—	F1
pr\$_bcdecc	A2	pr\$_ neocmd	B2	pr\$_vdata	D2	pr\$_pcadr	F2

Note: All symbolic values in this table are in hexadecimal.

(continued on next page)

**KA681/KA691/KA692/KA694 Firmware Commands
A.1 Console I/O Mode Control Characters**

Table A-1 (Cont.) Console Symbolic Addresses

Symb	Addr	Symb	Addr	Symb	Addr	Symb	Addr
/I—Internal Processor Registers							
pr\$_bceststs	A3	—	B3	pr\$_icsr	D3	—	F3
pr\$_bcestidx	A4	pr\$_ nedathi	B4	—	D4	pr\$__pests	F4
pr\$_bcestag	A5	—	B5	—	D5	—	F5
pr\$__ bcedsts	A6	pr\$__ nedatlo	B6	—	D6	—	F6
pr\$__ bcedidx	A7	—	B7	pr\$__ pamode	E7	—	F7
pr\$__ bcedecc	A8	pr\$__neicmd	B8	—	E8	pr\$__pctl	F8
pr\$__cefadr	AB	—	B9	—	E9	—	F9
pr\$__cefsts	AC	—	BA	pr\$__tbadr	EC	—	FA
pr\$__nests	AE	—	BB	pr\$__tbsts	ED	—	FB
pr\$__bctag	01000000	pr\$__bcflush	01400000	pr\$__pctag	01800000	pr\$__pcdap	01C00000
/P—Physical (VAX I/O Space)							
qbio	20000000	qbmemb	30000000	qbmb	20080010	—	—
rom	20040000	—	—	bdr	20084004	—	—
scr	20080000	dser	20080004	qbear	20080008	dear	2008000C
ipcr0	20001f40	ipcr1	20001f42	ipcr2	20001f44	ipcr3	20001f46
ssc_ram	20140400	ssc_cr	20140010	ssc_cbtr	20140020	ssc_dledr	20140030
ssc_ad0mat	20140130	ssc_ ad0msk	20140134	ssc_ad1mat	20140140	ssc_ ad1msk	20140144
ssc_tcr0	20140100	ssc_tir0	20140104	ssc_tnir0	20140108	ssc_tivr0	2014010c
ssc_tcr1	20140110	ssc_tir1	20140114	ssc_tnir1	20140118	ssc_tivr1	2014011c
nicsr0	20008000	nicsr1	20008004	nicsr2	20008008	nicsr3	2000800C
nicsr4	20008010	nicsr5	20008014	nicsr6	20008018	nicsr7	2000801C
—	20008020	nicsr9	20008024	nicsr10	20008028	nicsr11	2000802C
nicsr12	20008030	nicsr13	20008034	nicsr14	20008038	nicsr15	2000803C

(continued on next page)

KA681/KA691/KA692/KA694 Firmware Commands

A.1 Console I/O Mode Control Characters

Table A–1 (Cont.) Console Symbolic Addresses

Symb	Addr	Symb	Addr	Symb	Addr	Symb	Addr
<i>/P—Physical (VAX I/O Space)</i>							
sgec_setup	20008000	sgec_txpoll	20008004	sgec_rxpoll	20008008	sgec_rba	2000800C
sgec_tba	20008010	sgec_status	20008014	sgec_mode	20008018	sgec_sbr	2000801C
—	20008020	sgec_wdt	20008024	sgec_mfc	20008028	sgec_verlo	2000802C
sgec_verhi	20008030	sgec_proc	20008034	sgec_bpt	20008038	sgec_cmd	2000803C
shac1_sswcr	20004030	shac1_sshma	20004044	shac1_pqbbr	20004048	shac1_psr	2000404c
shac1_pesr	20004050	shac1_pfar	20004054	shac1_ppr	20004058	shac1_pmcsr	2000405C
shac1_pcq0cr	20004080	shac1_pcq1cr	20004084	shac1_pcq2cr	20004088	shac1_pcq3cr	2000408C
shac1_pdfqcr	20004090	shac1_pmfqcr	20004094	shac1_psrer	20004098	shac1_pecr	2000409C
shac1_pdcrc	200040A0	shac1_picr	200040A4	shac1_pmter	200040A8	shac1_pmtecr	200040AC
shac2_sswcr	20004230	shac2_sshma	20004244	shac2_pqbbr	20004248	shac2_psr	2000424c
shac2_pesr	20004250	shac2_pfar	20004254	shac2_ppr	20004258	shac2_pmcsr	2000425C
shac2_pcq0cr	20004280	shac2_pcq1cr	20004284	shac2_pcq2cr	20004288	shac2_pcq3cr	2000428C
shac2_pdfqcr	20004290	shac2_pmfqcr	20004294	shac2_psrer	20004298	shac2_pecr	2000429C
shac2_pdcrc	200042A0	shac2_picr	200042A4	shac2_pmter	200042A8	shac2_pmtecr	200042AC
shac_sswcr	20004230	shac_sshma	20004244	shac_pqbbr	20004248	shac_psr	2000424c
shac_pesr	20004250	shac_pfar	20004254	shac_ppr	20004258	shac_pmcsr	2000425C
shac_pcq0cr	20004280	shac_pcq1cr	20004284	shac_pcq2cr	20004288	shac_pcq3cr	2000428C

(continued on next page)

**KA681/KA691/KA692/KA694 Firmware Commands
A.1 Console I/O Mode Control Characters**

Table A-1 (Cont.) Console Symbolic Addresses

Symb	Addr	Symb	Addr	Symb	Addr	Symb	Addr
<i>/P—Physical (VAX I/O Space)</i>							
shac_ pdfqcr	20004290	shac_ pmfqcr	20004294	shac_psrer	20004298	shac_pecr	2000429C
shac_pdcr	200042A0	shac_picr	200042A4	shac_pmtcr	200042A8	shac_ pmtocr	200042AC
nmccwb	21000110	—	—	—	—	—	—
memcon0	21018000	memcon1	21018004	memcon2	21018008	memcon3	2101800c
memcon4	21018010	memcon5	21018014	memcon6	21018018	memcon7	2101801c
memsig8	21018020	memsig9	21018024	memsig10	21018028	memsig11	2101802c
memsig12	21018030	memsig13	21018034	memsig14	21018038	memsig15	2101803c
mear	21018040	mser	21018044	nmcdsr	21018048	moamr	2101804C
cear	21020000	ncadsr	21020004	csear1	21020008	csear2	2102000c
cpioea1	21020010	cpioar2	21020014	ndear	21020018	—	—

KA681/KA691/KA692/KA694 Firmware Commands

A.1 Console I/O Mode Control Characters

Table A–2 lists symbolic addresses that you can use in any address space.

Table A–2 Symbolic Addresses Used in Any Address Space

Symbol	Description
*	The location last referenced in an EXAMINE or DEPOSIT command.
+	The location immediately following the last location referenced in an EXAMINE or DEPOSIT command. For references to physical or virtual memory spaces, the location referenced is the last address, plus the size of the last reference (1 for byte, 2 for word, 4 for longword, 8 for quadword). For other address spaces, the address is the last address referenced plus one.
-	The location immediately preceding the last location referenced in an EXAMINE or DEPOSIT command. For references to physical or virtual memory spaces, the location referenced is the last address minus the size of this reference (1 for byte, 2 for word, 4 for longword, 8 for quadword). For other address spaces, the address is the last address referenced minus one.
@	The location addressed by the last location referenced in an EXAMINE or DEPOSIT command.

A.1.4 Console Numeric Expression Radix Specifiers

By default, the console treats any numeric expression used as an address or a datum as a hexadecimal integer. The user may override the default radix by using one of the specifiers listed in Table A–3.

Table A–3 Console Radix Specifiers

Form 1	Form 2	Radix
%b	^b	Binary
%o	^o	Octal
%d	^d	Decimal
%x	^x	Hexadecimal, default

For instance, the value 19 is by default hexadecimal, but it may also be represented as %b11001, %o31, %d25, and %x19 (or in the alternate form as ^b11001, ^o31, ^d25, and ^x19).

KA681/KA691/KA692/KA694 Firmware Commands
A.1 Console I/O Mode Control Characters

A.1.5 Console Command Qualifiers

You can enter console command qualifiers in any order on the command line after the command keyword. The three types of qualifiers are data control, address space control, and command specific. Table A–4 lists and describes the data control and address space control qualifiers. Command specific qualifiers are listed in the descriptions of individual commands.

Table A–4 Console Command Qualifiers

Qualifier	Description
Data Control	
/B	The data size is byte.
/W	The data size is word.
/L	The data size is longword.
/Q	The data size is quadword.
/N:{count}	An unsigned hexadecimal integer that is evaluated into a longword. This qualifier determines the number of additional operations that are to take place on EXAMINE, DEPOSIT, MOVE, and SEARCH commands. An error message appears if the number overflows 32 bits.
/STEP:{size}	Step. Overrides the default increment of the console current reference. Commands that manipulate memory, such as EXAMINE, DEPOSIT, MOVE, and SEARCH, normally increment the console current reference by the size of the data being used.
/WRONG	Wrong. On writes, 3 is used as the value of the ECC bits, which always generates double bit errors. Ignores ECC errors on main memory reads.

(continued on next page)

KA681/KA691/KA692/KA694 Firmware Commands

A.1 Console I/O Mode Control Characters

Table A–4 (Cont.) Console Command Qualifiers

Qualifier	Description
Address Space Control	
/G	General purpose register (GPR) address space, R0–R15. The data size is always longword.
/I	Internal processor register (IPR) address space. Accessible only by the MTPR and MFPR instructions. The data size is always longword.
/V	Virtual memory address space. All access and protection checking occur. If access to a program running with the current PSL is not allowed, the console issues an error message. Deposits to virtual space cause the PTE<M> bit to be set. If memory mapping is not enabled, virtual addresses are equal to physical addresses. Note that when you examine virtual memory, the address space and address in the response is the physical address of the virtual address.
/P	Physical memory address space.
/M	Processor status longword (PSL) address space. The data size is always longword.
/U	Access to console private memory is allowed. This qualifier also disables virtual address protection checks. On virtual address writes, the PTE<M> bit is not set if the /U qualifier is present. This qualifier is not inherited; it must be respecified on each command.

A.1.6 Console Command Keywords

Table A–5 lists command keywords by type. Table A–6 lists the parameters, qualifiers, and arguments for each console command. Parameters, used with the SET and SHOW commands only, are listed in the first column along with the command.

You should not use abbreviations in programs. Although it is possible to abbreviate by using the minimum number of characters required to uniquely identify a command or parameter, these abbreviations may become ambiguous at a later time if an updated version of the firmware contains new commands or parameters.

KA681/KA691/KA692/KA694 Firmware Commands
A.1 Console I/O Mode Control Characters

Table A–5 Command Keywords by Type

Processor Control	Data Transfer	Console Control
BOOT	DEPOSIT	CONFIGURE
CONTINUE	EXAMINE	FIND
HALT	MOVE	REPEAT
INITIALIZE	SEARCH	SET
NEXT	X	SHOW
START		TEST
UNJAM		!

Table A–6 Console Command Summary

Command	Qualifiers	Argument	Other(s)
BOOT	/R5:{boot_flags} /{boot_flags}	[{boot_device}[, {boot_device}]...]	—
CONFIGURE	—	—	—
CONTINUE	—	—	—
DEPOSIT	/B /W /L /Q — /G /I /V /P /M /U /N:{count} /STEP:{size} /WRONG	{address}	{data} [{data}]
EXAMINE	/B /W /L /Q — /G /I /V /P /M /U /N:{count} /STEP:{size} /WRONG /INSTRUCTION	[{address}]	—
FIND	/MEM /RPB	—	—
HALT	—	—	—
HELP	—	—	—
INITIALIZE	—	—	—
MOVE	/B /W /L /Q — /V /P /U /N:{count} /STEP:{size} /WRONG	{src_address}	{dest_address}
NEXT	—	[{count}]	—
REPEAT	—	{command}	—
SEARCH	/B /W /L /Q — /V /P /U /N:{count} /STEP:{size} /WRONG /NOT	{start_address}	{pattern} [{mask}]
SET BFLAG	—	{bitmap}	—

(continued on next page)

KA681/KA691/KA692/KA694 Firmware Commands

A.1 Console I/O Mode Control Characters

Table A–6 (Cont.) Console Command Summary

Command	Qualifiers	Argument	Other(s)
SET BOOT	—	{boot_device},{boot_device}...	—
SET CONTROLP	—	{0/1}	—
SET DSSI_ID	—	{bus_number} {0-3} or {A-D}	{id} [{ID or F}]
SET HALT	—	{halt_action}	—
SET HOST	/DUP /DSSI /BUS:{0/1}	{node_number}	[{task}]
SET HOST	/DUP /UQSSP {/DISK ! /TAPE } /DUP /UQSSP	{controller_number} {csr_address}	[{task}] [{task}]
SET HOST	/MAINTENANCE /UQSSP /SERVICE /MAINTENANCE /UQSSP	{controller_number} {csr_address}	
SET LANGUAGE	—	{language_type}	—
SET PSE	—	{0/1}	—
SET PSWD	—	—	—
SET RECALL	—	{0/1}	—
SHOW BFL(A)G	—	—	—
SHOW BOOT	—	—	—
SHOW CONTROLP	—	—	—
SHOW DSSI	—	—	—
SHOW DSSI_ID	—	—	—
SHOW HALT	—	—	—
SHOW LANGUAGE	—	—	—
SHOW MEMORY	/FULL	—	—
SHOW QBUS	—	—	—
SHOW RECALL	—	—	—
SHOW RLV12	—	—	—
SHOW SAVED_ STATE	—	—	—
SHOW SCSI	—	—	—
SHOW TRANSLATION	—	{phys_address}	—
SHOW UQSSP	—	—	—

(continued on next page)

KA681/KA691/KA692/KA694 Firmware Commands

A.1 Console I/O Mode Control Characters

Table A–6 (Cont.) Console Command Summary

Command	Qualifiers	Argument	Other(s)
SHOW VERSION	—	—	—
START	—	{address}	—
TEST	—	{test_number}	[{parameters}]
UNJAM	—	—	—
X	—	{address}	{count}

A.2 Console Commands

This section describes the console I/O mode commands. Enter the commands at the console I/O mode prompt (>>>).

A.2.1 BOOT

The BOOT command initializes the processor and transfers execution to VMB. VMB attempts to boot the operating system from the specified device or list of devices, or from the default boot device if none is specified. The console qualifies the bootstrap operation by passing a boot flags bitmap to VMB in R5.

Format:

BOOT [qualifier-list] [{boot_device},{boot_device},...]

If you do not enter either the qualifier or the device name, the default value is used. Explicitly stating the boot flags or the boot device overrides, but does not permanently change, the corresponding default value.

When specifying a list of boot devices (up to 32 characters, with devices separated by commas and no spaces), the system checks the devices in the order specified and boots from the first one that contains bootable software.

Note

If included in a string of boot devices, the Ethernet device, EZA0, should be placed only as the last device of the string. The system will continuously attempt to boot from EZA0.

Set the default boot device and boot flags with the SET BOOT and SET BFLAG commands. If you do not set a default boot device, the processor times out after 30 seconds and attempts to boot from the Ethernet port, EZA0.

KA681/KA691/KA692/KA694 Firmware Commands

A.2 Console Commands

Qualifiers:

Command specific:

<code>/R5:{boot_ flags}</code>	A 32-bit hex value passed to VMB in R5. The console does not interpret this value. Use the SET BFLAG command to specify a default boot flags longword. Use the SHOW BFLAG command to display the longword. Table 3-4 lists the supported R5 boot flags.
<code>{boot_ flags}</code>	Same as <code>/R5:{boot_ flags}</code>
<code>[device_ name]</code>	A character string of up to 32 characters. Longer strings cause a VAL TOO BIG error message. When specifying a list of boot devices, the device names should be separated by commas and no spaces. Apart from checking the length, the console does not interpret or validate the device name. The console converts the string to uppercase, then passes VMB a string descriptor to this device name in R0. Use the SET BOOT command to specify a default boot device or list of devices. Use the SHOW BOOT command to display the default boot device. The factory default device is the Ethernet port, EZA0. Table 3-3 lists the boot devices supported by the KA681/KA691/KA692/KA694.

Examples:

```
>>>SHOW BOOT
DUA0
>>>SHOW BFLAG
00000000
>>>B !Boot using default boot flags and device.
(BOOT/R5:0 DUA0)

2..
-DUA0

>>>BO XQA0 !Boot using default boot flags and
(BOOT/R5:0 XQA0) !specified device.

2..
-XQA0

>>>BOOT I/O !Boot using specified boot flags and
(BOOT/R5:10 DUA0) !default device.

2..
-DUA0

>>>BOOT /R5:220 XQA0 !Boot using specified boot
(BOOT/R5:220 XQA0) ! flags and device.

2..
-XQA0
```

KA681/KA691/KA692/KA694 Firmware Commands

A.2 Console Commands

A.2.2 CONFIGURE

The CONFIGURE command invokes an interactive mode that permits you to enter Q22-bus device names, then generates a table of Q22-bus I/O page device CSR addresses and interrupt vectors. CONFIGURE is similar to the OpenVMS SYSGEN CONFIG utility. This command simplifies field configuration by providing information that is typically available only with a running operating system. Refer to the example below and use the CONFIGURE command as follows:

1. Enter CONFIGURE at the console I/O prompt.
2. Enter HELP at the Device,Number? prompt to see a list of devices whose CSR addresses and interrupt vectors can be determined.
3. Enter the device names and number of devices.
4. Enter EXIT to obtain the CSR address and interrupt vector assignments.

The devices listed in the HELP display are not necessarily supported by the CPU.

KA681/KA691/KA692/KA694 Firmware Commands

A.2 Console Commands

Format:

CONFIGURE

Example:

>>>CONFIGURE

Enter device configuration, HELP, or EXIT

Device,Number? help

Devices:

LPV11	KXJ11	DLV11J	DZQ11	DZV11	DFA01
RLV12	TSV05	RXV21	DRV11W	DRV11B	DPV11
DMV11	DELQA	DEQNA	DEQA	RQDX3	KDA50
RRD50	RQC25	KFQSA-DISK	TQK50	TQK70	TU81E
RV20	KFQSA-TAPE	KMV11	IEQ11	DHQ11	DHV11
CXA16	CXB16	CXY08	VCB01	QVSS	LNV11
LNV21	QPSS	DSV11	ADV11C	AAV11C	AXV11C
KWV11C	ADV11D	AAV11D	VCB02	QDSS	DRV11J
DRQ3B	VSV21	IBQ01	IDV11A	IDV11B	IDV11C
IDV11D	IAV11A	IAV11B	MIRA	ADQ32	DTC04
DESNA	IGQ11	DIV32	KIV32	DTCN5	DTC05
KWV32	KZQSA				

Numbers:

1 to 255, default is 1

Device,Number? rqdx3,2

Device,Number? dhv11,2

Device,Number? deqna

Device,Number? kfqsa-tape

Device,Number? cxy08

Device,Number? mira

Device,Number? tqk50

Device,Number? tqk70

Device,Number? dhq11

Device,Number? lnv11

Device,Number? exit

Address/Vector Assignments

-774440/120 DEQNA

-772150/154 RQDX3

-760334/300 RQDX3

-774500/260 KFQSA-TAPE

-760444/304 TQK50

-760450/310 TQK70

-760500/320 DHV11

-760520/330 DHV11

-760540/340 CXY08

-760560/350 DHQ11

-776200/360 LNV11

-761260/370 MIRA

>>>

KA681/KA691/KA692/KA694 Firmware Commands

A.2 Console Commands

A.2.3 CONTINUE

The CONTINUE command causes the processor to begin instruction execution at the address currently contained in the PC. It does not perform a processor initialization. The console enters program I/O mode.

Format:

CONTINUE

Example:

```
>>>CONTINUE
$      !OpenVMS DCL prompt
```

A.2.4 DEPOSIT

The DEPOSIT command deposits data into the address specified. If you do not specify an address space or data size qualifier, the console uses the last address space and data size used in a DEPOSIT, EXAMINE, MOVE, or SEARCH command. After processor initialization, the default address space is physical memory, the default data size is longword, and the default address is zero. If you specify conflicting address space or data sizes, the console ignores the command and issues an error message.

Format:

DEPOSIT [qualifier-list] {address} {data} [data...]

Qualifiers:

Data control: /B, /W, /L, /Q, /N:{count}, /STEP:{size}, /WRONG

Address space control: /G, /I, /M, /P, /V, /U

Arguments:

- {address} A longword address that specifies the first location into which data is deposited. The address can be an actual address or a symbolic address.
- {data} The data to be deposited. If the specified data is larger than the deposit data size, the firmware ignores the command and issues an error response. If the specified data is smaller than the deposit data size, it is extended on the left with zeros.
- [[data]] Additional data to be deposited (as many as can fit on the command line).

KA681/KA691/KA692/KA694 Firmware Commands

A.2 Console Commands

Examples:

```
>>>D/P/B/N:1FF 0 0      ! Clear first 512 bytes of
                          ! physical memory.

>>>D/V/L/N:3 1234 5     ! Deposit 5 into four longwords
                          ! starting at virtual memory address
                          ! 1234.

>>>D/N:8 R0 FFFFFFFF    ! Loads GPRs R0 through R8 with -1.

>>>D/L/P/N:10/ST:200 0 8 ! Deposit 8 in the first longword of
                          ! the first 17 pages in physical
                          ! memory.

>>>D/N:200 - 0          ! Starting at previous address, clear
                          ! 513 longwords or 2052 bytes.
```

A.2.5 EXAMINE

The EXAMINE command examines the contents of the memory location or register specified by the address. If no address is specified, + is assumed. The display line consists of a single character address specifier, the physical address to be examined, and the examined data.

EXAMINE uses the same qualifiers as DEPOSIT. However, the /WRONG qualifier causes EXAMINE to ignore ECC errors on reads from physical memory. The EXAMINE command also supports an /INSTRUCTION qualifier, which will disassemble the instructions at the current address.

Format:

EXAMINE [qualifier-list] [address]

Qualifiers:

Data control: /B, /W, /L, /Q, /N:{count}, /STEP:{size}, /WRONG

Address space control: /G, /I, /M, /P, /V, /U

Command specific:

/INSTRUCTION Disassembles and displays the VAX MACRO-32 instruction at the specified address.

Arguments:

[address] A longword address that specifies the first location to be examined. The address can be an actual or a symbolic address. If no address is specified, + is assumed.

KA681/KA691/KA692/KA694 Firmware Commands A.2 Console Commands

Examples:

```

>>>EX PC                                ! Examine the PC.
  G 0000000F FFFFFFFC
>>>EX SP                                ! Examine the SP.
  G 0000000E 00000200
>>>EX PSL                                ! Examine the PSL.
  M 00000000 041F0000
>>>E/M                                  ! Examine PSL another way.
  M 00000000 041F0000
>>>E R4/N:5                             ! Examine R4 through R9.
  G 00000004 00000000
  G 00000005 00000000
  G 00000006 00000000
  G 00000007 00000000
  G 00000008 00000000
  G 00000009 801D9000

>>>EX PR$_SCBB                          !Examine the SCBB, IPR 17
  I 00000011 2004A000                    ! (decimal).

>>>E/P 0                                 ! Examine local memory 0.
  P 00000000 00000000

>>>EX /INS 20040000                      ! Examine 1st byte of ROM.
  P 20040000 11 BRB 20040019

>>>EX /INS/N:5 20040019                 ! Disassemble from branch.
  P 20040019 D0 MOVL I^#20140000,@#20140000
  P 20040024 D2 MCOML @#20140030,@#20140502
  P 2004002F D2 MCOML S^#0E,@#20140030
  P 20040036 7D MOVQ R0,@#201404B2
  P 2004003D D0 MOVL I^#201404B2,R1
  P 20040044 DB MFPR S^#2A,B^44(R1)

>>>E/INS                                 ! Look at next instruction.
  P 20040048 DB MFPR S^#2B,B^48(R1)

>>>

```

A.2.6 FIND

The FIND command searches main memory, starting at address zero for a page-aligned 128-Kbyte segment of good memory, or a restart parameter block (RPB). If the command finds the segment or RPB, its address plus 512 is left in SP (R14). If it does not find the segment or RPB, the console issues an error message and preserves the contents of SP. If you do not specify a qualifier, /RPB is assumed.

KA681/KA691/KA692/KA694 Firmware Commands

A.2 Console Commands

Format:

FIND [qualifier-list]

Qualifiers:

Command specific:

/MEMORY Searches memory for a page-aligned block of good memory, 128 Kbytes in length. The search looks only at memory that is deemed usable by the bitmap. This command leaves the contents of memory unchanged.

/RPB Searches all physical memory for an RPB. The search does not use the bitmap to qualify which pages are looked at. The command leaves the contents of memory unchanged.

Examples:

```
>>>EX SP           ! Check the SP.
   G 0000000E 00000000
>>>FIND /MEM       ! Look for a valid 128 Kbytes.
>>>EX SP           ! Note where it was found.
   G 0000000E 00000200
>>>FIND /RPB       ! Check for valid RPB.
?2C FND ERR 00C00004 ! None to be found here.
>>>
```

A.2.7 HALT

The HALT command has no effect. It is included for compatibility with other VAX consoles.

Format:

HALT

Example:

```
>>>HALT           ! Pretend to halt.
>>>
```

KA681/KA691/KA692/KA694 Firmware Commands

A.2 Console Commands

A.2.8 HELP

The HELP command provides information about command syntax and usage.

Format:

HELP

Example:

>>>HELP

Following is a brief summary of all the commands supported by the console:

UPPERCASE denotes a keyword that you must type in
| denotes an OR condition
[] denotes optional parameters
<> denotes a field specifying a syntactically correct value
.. denotes one of an inclusive range of integers
... denotes that the previous item may be repeated

Valid qualifiers:

/B /W /L /Q /INSTRUCTION
/G /I /V /P /M
/STEP: /N: /NOT
/WRONG /U

Valid commands:

BOOT [[/R5:]<boot_flags>] [<boot_device>]
CONFIGURE
CONTINUE
DEPOSIT [<qualifiers>] <address> <datum> [<datum>...]
EXAMINE [<qualifiers>] [<address>]
FIND [/MEMORY | /RPB]
HALT
HELP
INITIALIZE
LOGIN
MOVE [<qualifiers>] <address> <address>
NEXT [<count>]
REPEAT <command>
SEARCH [<qualifiers>] <address> <pattern> [<mask>]
SET BFLG <boot_flags>
SET BOOT <boot_device>
SET CONTROLP <0..1 | DISABLED|ENABLED>
SET HALT <0..4 |DEFAULT|RESTART|REBOOT|HALT|RESTART_REBOOT>
SET HOST/DUP/DSSI/BUS:<0..1> <node_number> [<task>]
SET HOST/DUP/UQSSP </DISK|TAPE> <controller_number> [<task>]
SET HOST/DUP/UQSSP <physical_CSR_address> [<task>]
SET HOST/MAINTENANCE/UQSSP/SERVICE <controller_number>
SET HOST/MAINTENANCE/UQSSP <physical_CSR_address>
SET LANGUAGE <1..15>
SET PSE <0..1 | DISABLED | ENABLED>
SET PSWD <password>

KA681/KA691/KA692/KA694 Firmware Commands

A.2 Console Commands

```
SET RECALL <0..1 | DISABLED | ENABLED>
SET SCSI_ID <0..7>
SHOW BFLG
SHOW BOOT
SHOW CONFIG
SHOW CONTROLP
SHOW DEVICE
SHOW DSSI
SHOW DSSI_ID
SHOW ERRORS
SHOW ETHERNET
SHOW HALT
SHOW LANGUAGE
SHOW MEMORY [/FULL]
SHOW PSE
SHOW QBUS
SHOW RECALL
SHOW RLV12
SHOW SAVED_STATE
SHOW SCSI
SHOW SCSI_ID
SHOW TESTS
SHOW TRANSLATION <physical_address>
SHOW UQSSP
SHOW VERSION
START <address>
TEST [<test_code> [<parameters>]]
UNJAM
X <address> <count>

>>>
```

A.2.9 INITIALIZE

The INITIALIZE command performs a processor initialization.

Format:

INITIALIZE

The following registers are initialized:

Register	State at Initialization
PSL	041F0000
IPL	1F
ASTLVL	4
SISR	0

KA681/KA691/KA692/KA694 Firmware Commands A.2 Console Commands

Register	State at Initialization
ICCS	Bits <6> and <0> clear; the rest are unpredictable
RXCS	0
TXCS	80
MAPEN	0
Caches	Flushed
Instruction buffer	Unaffected
Console previous reference	Longword, physical, address 0
TODR	Unaffected
Main memory	Unaffected
General registers	Unaffected
Halt code	Unaffected
Bootstrap-in-progress flag	Unaffected
Internal restart-in-progress flag	Unaffected

The firmware clears all error status bits and initializes the following:

- CDAL bus timer
- Address decode and match registers
- Programmable timer interrupt vectors
- SSCCR

Example:

```
>>>INIT
>>>
```

A.2.10 MOVE

The MOVE command copies the block of memory starting at the source address to a block beginning at the destination address. Typically, this command has an /N qualifier so that more than one datum is transferred. The destination correctly reflects the contents of the source, regardless of the overlap between the source and the data.

The MOVE command actually performs byte, word, longword, and quadword reads and writes as needed in the process of moving the data. Moves are supported only for the physical and virtual address spaces.

KA681/KA691/KA692/KA694 Firmware Commands

A.2 Console Commands

Format:

MOVE [qualifier-list] {src_address} {dest_address}

Qualifiers:

Data control: /B, /W, /L, /Q, /N:{count}, /STEP:{size}, /WRONG

Address space control: /N, /U, /P

Arguments:

{src_address} A longword address that specifies the first location of the source data to be copied.

{dest_address} A longword address that specifies the destination of the first byte of data. These addresses may be an actual address or a symbolic address. If no address is specified, + is assumed.

Examples:

```
>>>EX/N:4 0            ! Observe destination.
P 00000000 00000000
P 00000004 00000000
P 00000008 00000000
P 0000000C 00000000
P 00000010 00000000

>>>EX/N:4 200            ! Observe source data.
P 00000200 58DD0520
P 00000204 585E04C1
P 00000208 00FF8FBB
P 0000020C 5208A8D0
P 00000210 540CA8DE

>>>MOV/N:4 200 0        ! Move the data.

>>>EX/N:4 0            ! Observe moved data.
P 00000000 58DD0520
P 00000004 585E04C1
P 00000008 00FF8FBB
P 0000000C 5208A8D0
P 00000010 540CA8DE
>>>
```

A.2.11 NEXT

The NEXT command executes the specified number of macro instructions. If no count is specified, 1 is assumed.

After the last macro instruction is executed, the console reenters console I/O mode.

KA681/KA691/KA692/KA694 Firmware Commands A.2 Console Commands

Format:

NEXT {count}

The console implements the NEXT command, using the trace trap enable and trace pending bits in the PSL and the trace pending vector in the SCB.

The console enters the "Spacebar Step Mode". In this mode, subsequent spacebar strokes initiate single steps and a carriage return forces a return to the console prompt.

The following restrictions apply:

- If memory management is enabled, the NEXT command works only if the first page in SSC RAM is mapped in S0 (system) space.
- Overhead associated with the NEXT command affects execution time of an instruction.
- The NEXT command elevates the IPL to 31 for long periods of time (milliseconds) while single-stepping over several commands.
- Unpredictable results occur if the macro instruction being stepped over modifies either the SCBB or the trace trap entry. This means that you cannot use the NEXT command in conjunction with other debuggers.

Arguments:

{count} A value representing the number of macro instructions to execute.

Examples:

```
>>>DEP 1000 50D650D4                   ! Create a simple program.
>>>DEP 1004 125005D1
>>>DEP 1008 00FE11F9
>>>EX /INSTRUCTION /N:5 1000         ! List it.
P 00001000 D4 CLRL R0
P 00001002 D6 INCL R0
P 00001004 D1 CMPL S^#05,R0
P 00001007 12 BNEQ 00001002
P 00001009 11 BRB 00001009
P 0000100B 00 HALT
>>>DEP PR$ SCBB 200                   ! Set up a user SCBB...
>>>DEP PC 1000                       ! ...and the PC.
>>>
>>>N                                 ! Single step...
P 00001002 D6 INCL R0               ! SPACEBAR
P 00001004 D1 CMPL S^#05,R0       ! SPACEBAR
P 00001007 12 BNEQ 00001002       ! SPACEBAR
P 00001002 D6 INCL R0               ! CR
```

KA681/KA691/KA692/KA694 Firmware Commands

A.2 Console Commands

```
>>>N 5          ! ...or multiple step the program.
P 00001004  D1 CMPL  S^#05,R0
P 00001007  12 BNEQ  00001002
P 00001002  D6 INCL  R0
P 00001004  D1 CMPL  S^#05,R0
P 00001007  12 BNEQ  00001002
>>>N 7
P 00001002  D6 INCL  R0
P 00001004  D1 CMPL  S^#05,R0
P 00001007  12 BNEQ  00001002
P 00001002  D6 INCL  R0
P 00001004  D1 CMPL  S^#05,R0
P 00001007  12 BNEQ  00001002
P 00001009  11 BRB   00001009
>>>N
P 00001009  11 BRB   00001009
>>>
```

A.2.12 REPEAT

The REPEAT command repeatedly displays and executes the specified command. Press **CTRL/C** to stop the command. You can specify any valid console command except the REPEAT command.

Format:

REPEAT {command}

Arguments:

{command} A valid console command other than REPEAT.

KA681/KA691/KA692/KA694 Firmware Commands

A.2 Console Commands

Examples:

```
>>>REPEAT EX PR$ TODR !Watch the clock.
I 0000001B 5AFE78CE
I 0000001B 5AFE78D1
I 0000001B 5AFE78FD
I 0000001B 5AFE7900
I 0000001B 5AFE7903
I 0000001B 5AFE7907
I 0000001B 5AFE790A
I 0000001B 5AFE790D
I 0000001B 5AFE7910
I 0000001B 5AFE793C
I 0000001B 5AFE793F
I 0000001B 5AFE7942
I 0000001B 5AFE7946
I 0000001B 5AFE7949
I 0000001B 5AFE794C
I 0000001B 5AFE794F
I 0000001B 5^C
>>>
```

A.2.13 SEARCH

The SEARCH command finds all occurrences of a pattern and reports the addresses where the pattern was found. If the /NOT qualifier is present, the command reports all addresses in which the pattern did not match.

Format:

SEARCH [qualifier-list] {address} {pattern} [{mask}]

SEARCH accepts an optional mask that indicates bits to be ignored (*don't care* bits). For example, to ignore bit 0 in the comparison, specify a mask of 1. The mask, if not present, defaults to 0.

A match occurs if (pattern and not mask) = (data and not mask), where:

Pattern is the target data

Mask is the optional don't care bitmask (which defaults to 0)

Data is the data at the current address

KA681/KA691/KA692/KA694 Firmware Commands

A.2 Console Commands

SEARCH reports the address under the following conditions:

/NOT Qualifier	Match Condition	Action
Absent	True	Report address
Absent	False	No report
Present	True	No report
Present	False	Report address

The address is advanced by the size of the pattern (byte, word, longword, or quadword), unless overridden by the /STEP qualifier.

Qualifiers:

Data control: /B, /W, /L, /Q, /N:{count}, /STEP:{size}, /WRONG

Address space control: /P, /V, /U

Command specific:

/NOT Inverts the sense of the match.

Arguments:

{start_
address} A longword address that specifies the first location subject to the search. This address can be an actual address or a symbolic address. If no address is specified, + is assumed.

{pattern} The target data.

[{mask}] A mask of the bits desired in the comparison.

KA681/KA691/KA692/KA694 Firmware Commands A.2 Console Commands

Examples:

```

>>>DEP /P/L/N:1000 0 0           ! Clear some memory.
>>>
>>>DEP 300 12345678             ! Deposit some search data.
>>>DEP 401 12345678
>>>DEP 502 87654321
>>>
>>>SEARCH /N:1000 /ST:1 0 12345678 ! Search for all occurrences
P 00000300 12345678             ! of 12345678 on any byte
P 00000401 12345678             ! boundary. Then try on
>>>SEARCH /N:1000 0 12345678     ! longword boundaries.
P 00000300 12345678             ! Search for all non-zero
>>>SEARCH /N:1000 /NOT 0 0       ! longwords.
P 00000300 12345678
P 00000400 34567800
P 00000404 00000012
P 00000500 43210000
P 00000504 00008765
>>>SEARCH /N:1000 /ST:1 0 1 FFFFFFFE ! Search for odd-numbered
P 00000502 87654321             ! longwords on any boundary.
P 00000503 00876543
P 00000504 00008765
P 00000505 00000087
>>>SEARCH /N:1000 /B 0 12        ! Search for all occurrences
P 00000303 12                   ! of the byte 12.
P 00000404 12
>>>SEARCH /N:1000 /ST:1 /w 0 FE11 ! Search for all words that
>>>                               ! could be interpreted as
>>>                               ! a spin (10$: brb 10$).
>>>                               ! Note that none were found.

```

A.2.14 SET

The SET command sets the parameter to the value you specify.

Format:

SET {parameter} {value}

Parameters:

BFLAG	Sets the default R5 boot flags. The value must be a hex number of up to eight digits. See Table 3–4 for a list of the boot flags.
BOOT	Sets the default boot device. The value must be a valid device name or list of device names as specified in the BOOT command description in Section A.2.1.

KA681/KA691/KA692/KA694 Firmware Commands

A.2 Console Commands

CONTROLP	Sets ControlP as the console halt condition, instead of a BREAK. Values of 1 or Enabled set ControlP recognition. Values of 0 or Disabled set BREAK recognition. In either case, the setting of the Break Enable/Disable switch.
DSSI_ID	Sets the DSSI node ID for each adapter. The first parameter is the bus number. The second parameter is the ID or "F" to revert to the bus ID plug.
HALT	Sets the user-defined halt action. Acceptable values are the keywords "default", "restart", "reboot", "halt", "restart_reboot", or a number in the range 0 to 4 inclusive.
HOST	Connects to the DUP or MAINTENANCE driver on the selected node or device. The KA681/KA691/KA692/KA694 DUP driver supports only "send data immediate" messages and those devices that support the messages. It does not support "send data" or "receive data" messages. Note the hierarchy of the SET HOST qualifiers below.

/DUP—Uses the DUP driver to examine or modify parameters of a device on either the DSSI bus or on the Q22-bus.

/BUS:n—Selects the desired DSSI bus. A value of 0 selects DSSI bus 0 (internal backplane bus). A value of 1 selects DSSI bus 1 (external console module bus).

/DSSI node—Selects the DSSI node, where "node" is a number from 0 to 7.

/UQSSP—Attaches to the UQSSP device specified, using one of the following methods:

/DISK n—Specifies the disk controller number, where n is a number from 0 to 255. The resulting fixed address for n=0 is 20001468 and the floating rank for n>0 is 26.

/TAPE n—Specifies the tape controller number, where n is a number from 0 to 255. The resulting fixed address for n=0 is 20001940 and the floating rank for n>0 is 30.

csr_address—Specifies the Q22-bus I/O page CSR address for the device.

KA681/KA691/KA692/KA694 Firmware Commands

A.2 Console Commands

/MAINTENANCE—Examines and modifies the KFQSA EEPROM configuration values. Does not accept a task value.

/UQSSP—Attaches to the UQSSP device specified, using one of the following methods:

/SERVICE n—Specifies service for KFQSA controller module n where n is a value from 0 to 3. (The resulting fixed address of a KFQSA controller module in maintenance mode is $20001910+4*n$.)

/csr_address—Specifies the Q22-bus I/O page CSR address for the KFQSA controller module.

LANGUAGE	Sets console language and keyboard type. If the current console terminal does not support the multinational character set (MCS), then this command has no effect and the console message appears in English. Values are 1 through 15. Refer to Example 4-1 for the languages you can select.
PSE	<p>Once a password has been set, the state of the secure console enable bit, PSE, will determine whether the secure console mode will be entered when certain console commands are executed. If PSE = 0 (disabled), the console will remain in privileged mode even if a password has been set. If PSE = 1 (enabled), the console will enter into secure mode when the following commands are executed:</p> <p>BOOT (with any supplied parameters) CONTINUE HALT START</p> <p>Once in secure mode, the only commands which may be executed are BOOT (with no qualifiers) and LOGIN (in order to enter the password and exit into privileged mode). Since the BOOT command will take no qualifiers in secure console mode, it is advisable to SET BOOT and SET BFLAG prior to exiting privileged mode.</p>
PSWD	Set password to be entered in order to exit from secure console to privileged console. A 16-character password must be typed at the "PSWD1:" prompt. The password must be typed again for verification at the "PSWD2:" prompt.
RECALL	Sets command recall state to either ENABLED (1) or DISABLED (0).
SCSI_ID	Selects the host SCSI ID. Default value = 6. Values 0 to 7 are permitted.

Qualifiers: Listed in the parameter descriptions above.

KA681/KA691/KA692/KA694 Firmware Commands

A.2 Console Commands

Examples:

```

>>>
>>>SET BFLAG 220
>>>
>>>SET BOOT DUA0
>>>
>>>SET HOST/DUP/DSSI/BUS:0 0
Starting DUP server...

DSSI Node 0 (SUSAN)
Copyright © 1990 Digital Equipment Corporation
DRVEXR V1.0 D 5-JUL-1990 15:33:06
DRVST V1.0 D 5-JUL-1990 15:33:06
HISTRY V1.0 D 5-JUL-1990 15:33:06
ERASE V1.0 D 5-JUL-1990 15:33:06
PARAMS V1.0 D 5-JUL-1990 15:33:06
DIRECT V1.0 D 5-JUL-1990 15:33:06
End of directory

Task Name?PARAMS
Copyright © 1990 Digital Equipment Corporation

PARAMS>STAT PATH

  ID  Path Block      Remote Node      DGS_S  DGS_R  MSGS_S  MSGS_R
-----
  0  PB  FF811ECC      Internal Path      0      0      0      0
  6  PB  FF811FD0      KFQSA KFX V1.0    0      0      0      0
  1  PB  FF8120D4      KAREN RFX V101    0      0      0      0
  4  PB  FF8121D8      WILMA RFX V101    0      0      0      0
  5  PB  FF8122DC      BETTY RFX V101    0      0      0      0
  2  PB  FF8123E0      DSSI1 VMS V5.0    0      0     14328   14328
  3  PB  FF8124E4      3      VMB BOOT          0      0      61      61

PARAMS>EXIT
Exiting...

Task Name?

Stopping DUP server...
>>>
>>>SET HOST/DUP/DSSI/BUS:0 0 PARAMS
Starting DUP server...

DSSI Node 0 (SUSAN)
Copyright © 1990 Digital Equipment Corporation

PARAMS>SHOW NODE

Parameter  Current  Default  Type  Radix
-----
NODENAME   SUSAN    RF71     String  Ascii  B

```

KA681/KA691/KA692/KA694 Firmware Commands A.2 Console Commands

PARAMS>SHOW ALLCLASS

Parameter	Current	Default	Type	Radix
ALLCLASS	1	0	Byte	Dec B

PARAMS>EXIT

Exiting...

Stopping DUP server...

>>>

>>>SET HOST/MAINT/UQSSP 20001468

UQSSP Controller (772150)

Enter SET, CLEAR, SHOW, HELP, EXIT, or QUIT

Node	CSR Address	Model
0	772150	21
1	760334	21
4	760340	21
5	760344	21
7	----- KFQSA -----	

? help

Commands:

SET <node> /KFQSA	set KFQSA DSSI node number
SET <node> <CSR_address> <model>	enable a DSSI device
CLEAR <node>	disable a DSSI device
SHOW	show current configuration
HELP	print this text
EXIT	program the KFQSA
QUIT	don't program the KFQSA

Parameters:

<node>	0 to 7
<CSR_address>	760010 to 777774
<model>	21 (disk) or 22 (tape)

? set 6 /kfqsa

? show

Node	CSR Address	Model
0	772150	21
1	760334	21
4	760340	21
5	760344	21
6	----- KFQSA -----	

? exit

Programming the KFQSA...

>>>

>>>SET LANGUAGE 5

>>>

>>>SET HALT RESTART

>>>

KA681/KA691/KA692/KA694 Firmware Commands

A.2 Console Commands

A.2.15 SHOW

The SHOW command displays the console parameter you specify.

Format:

SHOW {parameter}

Parameters:

BFLAG	Displays the default R5 boot flags.
BOOT	Displays the default boot device.
CONTROLP	Shows the current state of Control-P halt recognition, either Enabled or Disabled.
DEVICE	Displays all devices in the system.
HALT	Shows the user-defined halt action.
DSSI	<p>Shows the status of all nodes that can be found on the DSSI bus. For each node on the DSSI bus, the console displays the node number, the node name, and the boot name and type of the device, if available. The command does not indicate the "bootability" of the device.</p> <p>The node that issues the command reports a node name of "*".</p> <p>The device information is obtained from the media type field of the MSCP command GET UNIT STATUS. In the case where the node is not running or is not capable of running an MSCP server, then no device information is displayed.</p>
DSSI_ID	Lists the DSSI node ID for each adapter.
ETHERNET	Displays hardware Ethernet address for all Ethernet adapters that can be found. Displays as blank if no Ethernet adapter is present.
LANGUAGE	Displays console language and keyboard type. Refer to the corresponding SET LANGUAGE command for the meaning.
MEMORY	<p>Displays main memory configuration board by board.</p> <p>/FULL—Additionally, displays the normally inaccessible areas of memory, such as the PFN bitmap pages, the console scratch memory pages, the Q22-bus scatter-gather map pages. Also reports the addresses of bad pages, as defined by the bitmap.</p>

KA681/KA691/KA692/KA694 Firmware Commands

A.2 Console Commands

QBUS	<p>Displays all Q22-bus I/O addresses that respond to an aligned word read, and speculative device name information. For each address, the console displays the address in the VAX I/O space in hex, the address as it would appear in the Q22-bus I/O space in octal, and the word data that was read in hex.</p> <p>This command may take several minutes to complete. Press CTRL/C to terminate the command. During execution, the command disables the scatter-gather map.</p>
RECALL	<p>Shows the current state of command recall, either ENABLED or DISABLED.</p>
RLV12	<p>Displays all RL01 and RL02 disks that appear on the Q22-bus.</p>
UQSSP	<p>Displays the status of all disks and tapes that can be found on the Q22-bus that support the UQSSP protocol. For each such disk or tape on the Q22-bus, the firmware displays the controller number, the controller CSR address, and the boot name and type of each device connected to the controller. The command does not indicate whether the device contains a bootable image.</p> <p>This information is obtained from the media type field of the MSCP command GET UNIT STATUS. The console does not display device information if a node is not running (or cannot run) an MSCP server.</p>
SAVED_STATE	<p>Lists all the non-volatile console parameter values stored in FEPR0M. Some examples are DSSI_ID, SCSI_ID, BOOT DEVICE, BOOT FLAG, HALT ACTION, LANGUAGE.</p>
SCSI	<p>Shows any SCSI devices in the system (TLZ04 or RRD40-series.)</p>
TRANSLATION	<p>Shows any virtual addresses that map to the specified physical address. The firmware uses the current values of page table base and length registers to perform its search; it is assumed that page tables have been properly built.</p>
VERSION	<p>Displays the current firmware version.</p>

Qualifiers: Listed in the parameter descriptions above.

Examples:

```
>>>
>>>SHOW BFLAG
00000220
>>>
>>>SHOW BOOT
DUA0
>>>SHOW CONTROLP
>>>
```

KA681/KA691/KA692/KA694 Firmware Commands

A.2 Console Commands

```
>>>SHOW DEVICE
KA680-A Vn.n VMBn.n
DSSI Bus 0 Node 0 (R7CZCC)
-DIA0 (RF71)
DSSI Bus 0 Node 1 (R7ALUC)
-DIA1 (RF71)
DSSI Bus 0 Node 2 (R7EB3C)
-DIA2 (RF71)
DSSI Bus 0 Node 6 (*)
DSSI Bus 1 Node 7 (*)

SCSI Adapter 0 (761300), SCSI ID 7
-DKA100 (DEC TLZ04)

Ethernet Adapter
-EZA0 (08-00-2B-0B-29-14)
>>>
>>>SHOW DSSI
DSSI Bus 0 Node 0 (R7CZCC)
-DIA0 (RF71)
DSSI Bus 0 Node 1 (R7ALUC)
-DIA1 (RF71)
DSSI Bus 0 Node 2 (R7EB3C)
-DIA2 (RF71)
DSSI Bus 0 Node 6 (*)
DSSI Bus 1 Node 7 (*)
>>>
>>>SHOW ETHERNET
Ethernet Adapter
-EZA0 (08-00-2B-0B-29-14)
>>>
>>>SHOW HALT
restart
>>>
>>>SHOW LANGUAGE
English (United States/Canada)
>>>
>>>SHOW MEMORY
Memory 0: 00000000 to 01FFFFFF, 32MB, 0 bad pages
Memory 0: 02000000 to 03FFFFFF, 32MB, 0 bad pages

Total of 64MB, 0 bad pages, 128 reserved pages
>>>
>>>SHOW MEMORY/FULL
Memory 0: 00000000 to 01FFFFFF, 32MB, 0 bad pages
Memory 0: 02000000 to 03FFFFFF, 32MB, 0 bad pages

Total of 64MB, 0 bad pages, 128 reserved pages

Memory Bitmap
-00FF3C00 to 00FF3FFF, 8 pages
```

KA681/KA691/KA692/KA694 Firmware Commands A.2 Console Commands

```
Console Scratch Area
-00FF4000 to 00FF7FFF, 32 pages

Q-bus Map
-0FF8000 to 0FFFFFFF, 64 pages

Scan of Bad Pages
>>>

>>>SHOW QBUS
Scan of Qbus I/O Space
-20001920 (774440) = FF08 DELQA/DESQA
-20001922 (774442) = FF00
-20001924 (774444) = FF2B
-20001926 (774446) = FF08
-20001928 (774450) = FFD7
-2000192A (774452) = FF41
-2000192C (774454) = 0000
-2000192E (774456) = 1030
-20001F40 (777500) = 0020 IPCR

Scan of Qbus Memory Space
>>>
>>>SHOW RLV12
>>>
>>>SHOW SCSI
SCSI Adapter 0 (761300), SCSI ID 7
-DKA100 (DEC TLZ04)
>>>
>>>SHOW TRANSLATION 1000
V 80001000
>>>
>>>SHOW UQSSP
UQSSP Disk Controller 0 (772150)
-DUA0 (RF30)

UQSSP Disk Controller 1 (760334)
-DUB1 (RF30)

UQSSP Disk Controller 2 (760340)
-DUC4 (RF30)

UQSSP Disk Controller 3 (760344)
-DUD5 (RF30)
>>>
>>>
>>>SHOW VERSION
KA680-A Vn.n VMBn.n
>>>
```

KA681/KA691/KA692/KA694 Firmware Commands

A.2 Console Commands

A.2.16 START

The **START** command starts instruction execution at the address you specify. If no address is given, the current PC is used. If memory mapping is enabled, macro instructions are executed from virtual memory, and the address is treated as a virtual address. The **START** command is equivalent to a **DEPOSIT** to PC, followed by a **CONTINUE**. It does not perform a processor initialization.

Format:

START [{address}]

Arguments:

[address] The address at which to begin execution. This address is loaded into the user's PC.

Example:

```
>>>START 1000
```

A.2.17 TEST

The **TEST** command invokes a diagnostic test program specified by the test number. If you enter a test number of 0 (zero), all tests allowed to be executed from the console terminal are executed. The console accepts an optional list of up to five additional hexadecimal arguments.

Refer to Chapter 5 for a detailed explanation of the diagnostics.

Format:

TEST [{test_number} [{test_arguments}]]

Arguments:

{test_number} A two-digit hex number specifying the test to be executed.

{test_arguments} Up to five additional test arguments. These arguments are accepted, but they have no meaning to the console.

Example:

```
>>>TEST 0
66..65..64..63..62..61..60..59..58..57..56..55..54..53..52..51..
50..49..48..47..46..45..44..43..42..41..40..39..38..37..36..35..
34..33..32..31..30..29..28..27..26..25..24..23..22..21..20..19..
18..17..16..15..14..13..12..11..10..09..08..07..06..05..04..03..
```

KA681/KA691/KA692/KA694 Firmware Commands

A.2 Console Commands

A.2.18 UNJAM

The UNJAM command performs an I/O bus reset by writing a 1 (one) to IPR 55 (decimal).

Format:

UNJAM

Example:

```
>>>UNJAM  
>>>
```

A.2.19 X—Binary Load and Unload

The X command is for use by automatic systems communicating with the console.

The X command loads or unloads (that is, writes to memory, or reads from memory) the specified number of data bytes through the console serial line (regardless of console type) starting at the specified address.

Format:

X {address} {count} CR {line_checksum} {data} {data_checksum}

If bit 31 of the count is clear, data is received by the console and deposited into memory. If bit 31 is set, data is read from memory and sent by the console. The remaining bits in the count are a positive number indicating the number of bytes to load or unload.

The console accepts the command upon receiving the carriage return. The next byte the console receives is the command checksum, which is not echoed. The command checksum is verified by adding all command characters, including the checksum and separating space (but not including the terminating carriage return, rubouts, or characters deleted by rubout), into an 8-bit register initially set to zero. If no errors occur, the result is zero. If the command checksum is correct, the console responds with the input prompt and either sends data to the requester or prepares to receive data. If the command checksum is in error, the console responds with an error message. The intent is to prevent inadvertent operator entry into a mode where the console is accepting characters from the keyboard as data, with no escape mechanism possible.

If the command is a load (bit 31 of the count is clear), the console responds with the input prompt (>>>), then accepts the specified number of bytes of data for depositing to memory, and an additional byte of received data checksum. The data is verified by adding all data characters and the checksum character into an 8-bit register initially set to zero. If the final content of the register is

KA681/KA691/KA692/KA694 Firmware Commands

A.2 Console Commands

nonzero, the data or checksum are in error, and the console responds with an error message.

If the command is a binary unload (bit 31 of the count is set), the console responds with the input prompt (>>>), followed by the specified number of bytes of binary data. As each byte is sent, it is added to a checksum register initially set to zero. At the end of the transmission, the two's complement of the low byte of the register is sent.

If the data checksum is incorrect on a load, or if memory or line errors occur during the transmission of data, the entire transmission is completed, then the console issues an error message. If an error occurs during loading, the contents of the memory being loaded are unpredictable.

The console represses echo while it is receiving the data string and checksums.

The console terminates all flow control when it receives the carriage return at the end of the command line in order to avoid treating flow control characters from the terminal as valid command line checksums.

You can control the console serial line during a binary unload using control characters (`CTRL/C`, `CTRL/S`, `CTRL/O`, and so on). You cannot control the console serial line during a binary load, since all received characters are valid binary data.

The console has the following timing requirements:

- It must receive data being loaded with a binary load command at a rate of at least one byte every 60 seconds.
- It must receive the command checksum that precedes the data within 60 seconds of the carriage return that terminates the command line.
- It must receive the data checksum within 60 seconds of the last data byte.

If any of these timing requirements are not met, then the console aborts the transmission by issuing an error message and returning to the console prompt.

The entire command, including the checksum, can be sent to the console as a single burst of characters at the specified character rate of the console serial line. The console is able to receive at least 4 Kbytes of data in a single X command.

KA681/KA691/KA692/KA694 Firmware Commands
A.2 Console Commands

A.2.20 ! (Comment)

The comment character (an exclamation point) is used to document command sequences. It can appear anywhere on the command line. All characters following the comment character are ignored.

Format: !

Example:

```
>>>! The console ignores this line.  
>>>
```


B

Address Assignments

B.1 KA681/KA691/KA692/KA694 General Local Address Space Map

VAX Memory Space

Address Range	Contents
-----	-----
0000 0000 - 1FFF FFFF	Local Memory Space (512MB)

VAX I/O Space

Address Range	Contents
-----	-----
2000 0000 - 2000 1FFF	Local Q22-Bus I/O Space (8KB)
2000 2000 - 2003 FFFF	Reserved Local I/O Space (248KB)
2008 0000 - 201F FFFF	Local Register I/O Space (1.5MB)
2020 0000 - 23FF FFFF	Reserved Local I/O Space (62.5MB)
2400 0000 - 27FF FFFF	Reserved Local I/O Space (64MB)
2008 0000 - 2BFF FFFF	Reserved Local I/O Space (64MB)
2C08 0000 - 2FFF FFFF	Reserved Local I/O Space (64MB)
3000 0000 - 303F FFFF	Local Q22-Bus Memory Space (4MB)
3040 0000 - 33FF FFFF	Reserved Local I/O Space (60MB)
3400 0000 - 37FF FFFF	Reserved Local I/O Space (64MB)
3800 0000 - 3BFF FFFF	Reserved Local I/O Space (64MB)
3C00 0000 - 3FFF FFFF	Reserved Local I/O Space (64MB)
E004 0000 - E007 FFFF	Local ROM Space

Address Assignments

B.2 KA681/KA691/KA692/KA694 Detailed Local Address Space Map

B.2 KA681/KA691/KA692/KA694 Detailed Local Address Space Map

Local Memory Space (up to 512MB) 0000 0000 - 1FFF FFFF
Q22-bus Map located in top 32KB of Main Memory

VAX I/O Space

Local Q22-bus I/O Space	2000 0000 - 2000 1FFF
Reserved Q22-bus I/O Space	2000 0000 - 2000 0007
Q22-bus Floating Address Space	2000 0008 - 2000 07FF
User Reserved Q22-bus I/O Space	2000 0800 - 2000 0FFF
Reserved Q22-bus I/O Space	2000 1000 - 2000 1F3F
Interprocessor Comm Reg	2000 1F40
Reserved Q22-bus I/O Space	2000 1F44 - 2000 1FFF

Local Register I/O Space	2000 2000 - 2003 FFFF
--------------------------	-----------------------

SHAC0 address space

Reserved Local Register I/O Space	2000 4000 - 2000 402F
SHAC0 SSWCR	2000 4030
Reserved Local Register I/O Space	2000 4034 - 2000 4043
SHAC0 SSHMA	2000 4044
SHAC0 PQBBR	2000 4048
SHAC0 PSR	2000 404C
SHAC0 PESR	2000 4050
SHAC0 PFAR	2000 4054
SHAC0 PPR	2000 4058
SHAC0 PMCSR	2000 405C
Reserved Local Register I/O Space	2000 4060 - 2000 407F
SHAC0 PCQ0CR	2000 4080
SHAC0 PCQ1CR	2000 4084
SHAC0 PCQ2CR	2000 4088
SHAC0 PCQ3CR	2000 408C
SHAC0 PDFQCR	2000 4090
SHAC0 PMFQCR	2000 4094
SHAC0 PSRCR	2000 4098
SHAC0 PECR	2000 409C
SHAC0 PDCR	2000 40A0
SHAC0 PICR	2000 40A4
SHAC0 PMTCR	2000 40A8
SHAC0 PMTECR	2000 40AC
Reserved Local Register I/O Space	2000 40B0 - 2000 41FF

Address Assignments

B.2 KA681/KA691/KA692/KA694 Detailed Local Address Space Map

KA681/KA691/KA692/KA694 DETAILED LOCAL ADDRESS SPACE MAP (Cont.)

SHAC1 address space

Reserved Local Register I/O Space	2000 4200 - 2000 422F
SHAC1 SSWCR	2000 4230
Reserved Local Register I/O Space	2000 4234 - 2000 4243
SHAC1 SSHMA	2000 4244
SHAC1 PQBBR	2000 4248
SHAC1 PSR	2000 424C
SHAC1 PESR	2000 4250
SHAC1 PFAR	2000 4254
SHAC1 PPR	2000 4258
SHAC1 PMCSR	2000 425C
Reserved Local Register I/O Space	2000 4260 - 2000 427F
SHAC1 PCQ0CR	2000 4280
SHAC1 PCQ1CR	2000 4284
SHAC1 PCQ2CR	2000 4288
SHAC1 PCQ3CR	2000 428C
SHAC1 PDFQCR	2000 4290
SHAC1 PMFQCR	2000 4294
SHAC1 PSRCR	2000 4298
SHAC1 PECD	2000 429C
SHAC1 PDCR	2000 42A0
SHAC1 PICR	2000 42A4
SHAC1 PMTCR	2000 42A8
SHAC1 PMTECR	2000 42AC

Address Assignments

B.2 KA681/KA691/KA692/KA694 Detailed Local Address Space Map

```
*****
* OPTIONAL SHAC2 address space (Dual SHAC option installed)
*
*   Reserved Local Register I/O Space      2000 4400 - 2000 442F
*   SHAC2 SSWCR                             2000 4430
*   Reserved Local Register I/O Space      2000 4434 - 2000 4443
*   SHAC2 SSHMA                             2000 4444
*   SHAC2 PQBBR                             2000 4448
*   SHAC2 PSR                              2000 444C
*   SHAC2 PESR                             2000 4450
*   SHAC2 PFAR                             2000 4454
*   SHAC2 PPR                              2000 4458
*   SHAC2 PMCSR                             2000 445C
*   Reserved Local Register I/O Space      2000 4460 - 2000 447F
*   SHAC2 PCQ0CR                            2000 4480
*   SHAC2 PCQ1CR                            2000 4484
*   SHAC2 PCQ2CR                            2000 4488
*   SHAC2 PCQ3CR                            2000 448C
*   SHAC2 PDFQCR                            2000 4490
*   SHAC2 PMFQCR                            2000 4494
*   SHAC2 PSRCR                             2000 4498
*   SHAC2 PECR                             2000 449C
*   SHAC2 PDCR                             2000 44A0
*   SHAC2 PICR                             2000 44A4
*   SHAC2 PMTCR                             2000 44A8
*   SHAC2 PMTECR                            2000 44AC
*
* OPTIONAL SHAC3 address space (Dual SHAC option installed)
*
*   Reserved Local Register I/O Space      2000 4600 - 2000 462F
*   SHAC3 SSWCR                             2000 4630
*   Reserved Local Register I/O Space      2000 4634 - 2000 4643
*   SHAC3 SSHMA                             2000 4644
*   SHAC3 PQBBR                             2000 4648
*   SHAC3 PSR                              2000 464C
*   SHAC3 PESR                             2000 4650
*   SHAC3 PFAR                             2000 4654
*   SHAC3 PPR                              2000 4658
*   SHAC3 PMCSR                             2000 465C
*   Reserved Local Register I/O Space      2000 4660 - 2000 467F
*   SHAC3 PCQ0CR                            2000 4680
*   SHAC3 PCQ1CR                            2000 4684
*   SHAC3 PCQ2CR                            2000 4688
*   SHAC3 PCQ3CR                            2000 468C
*   SHAC3 PDFQCR                            2000 4690
*   SHAC3 PMFQCR                            2000 4694
*   SHAC3 PSRCR                             2000 4698
*   SHAC3 PECR                             2000 469C
*   SHAC3 PDCR                             2000 46A0
*   SHAC3 PICR                             2000 46A4
*   SHAC3 PMTCR                             2000 46A8
*   SHAC3 PMTECR                            2000 46AC
```

Address Assignments

B.2 KA681/KA691/KA692/KA694 Detailed Local Address Space Map

* Reserved Local Register I/O Space 2000 46B0 - 2000 7FFF

Network Interface 0 (SGECO)

NICSR0 - Vector Add, IPL, Sync/Async	2000 8000
NICSR1 - Polling Demand Register	2000 8004
NICSR2 - Reserved	2000 8008
NICSR3 - Receiver List Address	2000 800C
NICSR4 - Transmitter List Address	2000 8010
NICSR5 - Status Register	2000 8014
NICSR6 - Command and Mode Register	2000 8018
NICSR7 - System Base Address	2000 801C
NICSR8 - Reserved	2000 8020*
NICSR9 - Watchdog Timers	2000 8024*
NICSR10- Reserved	2000 8028*
NICSR11- Rev Num & Missed Frme Cnt	2000 802C*
NICSR12- Reserved	2000 8030*
NICSR13- Breakpoint Address	2000 8034*
NICSR14- Reserved	2000 8038*
NICSR15- Diagnostic Mode & Status	2000 803C
Reserved Local Register I/O Space	2000 8040 - 2003 FFFF

Q22-bus Address space.

Q22-Bus Local Register I/O Space	2008 0000 - 201F FFFF
DMA System Configuration Register (SCR)	2008 0000
DMA System Error Register (DSER)	2008 0004
DMA Master Error Address Register (QBEAR)	2008 0008
DMA Slave Error Address Register (DEAR)	2008 000C
Q22-bus Map Base Register (QBMBR)	2008 0010
Reserved Local Register I/O Space	2008 0014 - 2008 3FFF
Error Status Register (IPR 32)	2008 0180
Memory Error Address (IPR 33)	2008 0184
I/O Error Address (IPR 34)	2008 0188
DMA Memory Error Address (IPR 35)	2008 018C
DMA Mode Control and Diagnostic Status Reg (IPR 36)	2008 0190
Reserved Local Register I/O Space	2008 0194 - 2008 3FFF
Boot and Diagnostic Reg (32 Copies) (BDR)	2008 4000 - 2008 407C
Reserved Local Register I/O Space	2008 4080 - 2008 7FFF

Address Assignments

B.2 KA681/KA691/KA692/KA694 Detailed Local Address Space Map

KA681/KA691/KA692/KA694 DETAILED LOCAL ADDRESS SPACE MAP (Cont.)

Q22-bus Map Registers	(QMRs)	2008 8000 - 2008 FFFF
Reserved Local Register I/O Space		2009 0000 - 2013 FFFF

SSC CSRs

SSC Base Address Register	(SSCBR)	2014 0000
SSC Configuration Register	(SSCCR)	2014 0010
CP Bus Timeout Control Register	(CBTCR)	2014 0020
Diagnostic LED Register	(DLEDR)	2014 0030
Reserved Local Register I/O Space		2014 0034 - 2014 006B

VAX IPRs implemented by NCA

Interval Clock Control Status Reg (ICCS)		2100 0060
Next Interval Count Register	(NICR)	2100 0064
Interval Count Register	(ICR)	2100 0068

NMC CSRs

O-bit Data Registers	(MODRs)	2101 0000 - 2101 7FFF
Main Memory Configuration Reg 0 (MEMCON0)		2101 8000
Main Memory Configuration Reg 1	.	2101 8004
Main Memory Configuration Reg 2	.	2101 8008
Main Memory Configuration Reg 3	.	2101 800C
Main Memory Configuration Reg 4	.	2101 8010
Main Memory Configuration Reg 5	.	2101 8014
Main Memory Configuration Reg 6	.	2101 8018
Main Memory Configuration Reg 7 (MEMCON7)		2101 801C
Main Memory Signature Reg 0 (MEMSIG0)		2101 8020
Main Memory Signature Reg 1	.	2101 8024
Main Memory Signature Reg 2	.	2101 8028
Main Memory Signature Reg 3	.	2101 802C
Main Memory Signature Reg 4	.	2101 8030
Main Memory Signature Reg 5	.	2101 8034
Main Memory Signature Reg 6	.	2101 8038
Main Memory Signature Reg 7 (MEMSIG7)		2101 803C
Main Memory Error Address Reg (MEAR)		2101 8040
Main Memory Error Status Reg (MESR)		2101 8044
Main Memory Mode Control and Diagnostic Register	(MMCD SR)	2101 8048
O-bit Address and Mode Reg	(MOAMR)	2101 804C

Address Assignments

B.2 KA681/KA691/KA692/KA694 Detailed Local Address Space Map

NCA CSRs

Error Status Register	(CESR)	2102 0000
Mode Control and Diagnostic Reg	(CMCD SR)	2102 0004
CP1 Slave Error Address Register	(CSEAR1)	2102 0008
CP2 Slave Error Address Register	(CSEAR2)	2102 000C
CP1 IO Error Address Register	(CIOEAR1)	2102 0010
CP2 IO Error Address Register	(CIOEAR2)	2102 0014
NDAL Error Address Register	(CNEAR)	2102 0018

Local UVROM Space	E004 0000 - E007 FFFF
VAX System Type Register (In ROM)	E004 0004
Local UVROM - (Halt Protected)	E004 0000 - E007 FFFF

The following addresses allow those KA690 Internal Processor Registers that are implemented in the SSC chip (External, Internal Processor Registers) to be accessed via the local I/O page. These addresses are documented for diagnostic purposes only and should not be used by non-diagnostic programs.

Time Of Year Register	2014 006C
Console Storage Receiver Status	2014 0070*
Console Storage Receiver Data	2014 0074*
Console Storage Transmitter Status	2014 0078*
Console Storage Transmitter Data	2014 007C*
Console Receiver Control/Status	2014 0080
Console Receiver Data Buffer	2014 0084
Console Transmitter Control/Status	2014 0088
Console Transmitter Data Buffer	2014 008C
Reserved Local Register I/O Space	2014 0090 - 2014 00DB
I/O Bus Reset Register	2014 00DC
Reserved Local Register I/O Space	2014 00E0
Reserved Local Register I/O Space	2014 00FC - 2014 00FF

* These registers are not fully implemented, accesses yield UNPREDICTABLE results.

Local Register I/O Space (Cont.)

Timer 0 Control Register	2014 0100
Timer 0 Interval Register	2014 0104
Timer 0 Next Interval Register	2014 0108
Timer 0 Interrupt Vector	2014 010C
Timer 1 Control Register	2014 0110
Timer 1 Interval Register	2014 0114
Timer 1 Next Interval Register	2014 0118
Timer 1 Interrupt Vector	2014 011C
Reserved Local Register I/O Space	2014 0120 - 2014 03FF

Address Assignments

B.2 KA681/KA691/KA692/KA694 Detailed Local Address Space Map

BDR Address Decode Match Register	2014 0140
BDR Address Decode Mask Register	2014 0144
Battery Backed-Up RAM	2014 0400 - 2014 07FF
Reserved Local Register I/O Space	2014 0800 - 201F FFFF
Reserved Local I/O Space	2020 0000 - 2FFF FFFF
Local Q22-bus Memory Space	3000 0000 - 303F FFFF
Reserved Local Register I/O Space	3040 0000 - 3FFF FFFF

B.3 External Internal Processor Registers

Several of the Internal Processor Registers (IPRs) on the KA690 are implemented in the NCA or SSC chip rather than the CPU chip. These registers are referred to as External Internal Processor Registers and are listed below.

IPR #	Register Name	Abbrev.
=====	=====	=====
27	Time of Year Register	TOY
28	Console Storage Receiver Status	CSRS*
29	Console Storage Receiver Data	CSRD*
30	Console Storage Transmitter Status	CSTS*
31	Console Storage Transmitter Data	CSDB*
32	Console Receiver Control/Status	RXCS
33	Console Receiver Data Buffer	RXDB
34	Console Transmitter Control/Status	TXCS
35	Console Transmitter Data Buffer	TXDB
55	I/O System Reset Register	IORESET

* These registers are not fully implemented, accesses yield UNPREDICTABLE results.

B.4 Global Q22-bus Address Space Map

Q22-bus Memory Space

Q22-bus Memory Space (Octal) 0000 0000 - 1777 7777

Address Assignments

B.4 Global Q22-bus Address Space Map

Q22-bus I/O Space (BBS7 Asserted)

Q22-bus I/O Space (Octal)	1776 0000 - 1777 7777
Reserved Q22-bus I/O Space	1776 0000 - 1776 0007
Q22-bus Floating Address Space	1776 0010 - 1776 3777
User Reserved Q22-bus I/O Space	1776 4000 - 1776 7777
Reserved Q22-bus I/O Space	1777 0000 - 1777 7477
Interprocessor Comm Reg	1777 7500
Reserved Q22-bus I/O Space	1777 7502 - 1777 7777

B.5 Processor Registers

Section B.5 lists all the processor registers for the KA681, KA691, and KA692.

Table B-1 Processor Registers

Register Name	Mnemonic	Number		Type	Impl	Cat	I/O Address
		(Dec)	(Hex)				
Kernel Stack Pointer	KSP	0	0	RW	NVAX	1-1	
Executive Stack Pointer	ESP	1	1	RW	NVAX	1-1	
Supervisor Stack Pointer	SSP	2	2	RW	NVAX	1-1	
User Stack Pointer	USP	3	3	RW	NVAX	1-1	
Interrupt Stack Pointer	ISP	4	4	RW	NVAX	1-1	
Reserved		5-7	5			3	E1000014
P0 Base Register	POBR	8	8	RW	NVAX	1-2	
P0 Length Register	POLR	9	9	RW	NVAX	1-2	
P1 Base Register	P1BR	10	A	RW	NVAX	1-2	
P1 Length Register	P1LR	11	B	RW	NVAX	1-2	
System Base Register	SBR	12	C	RW	NVAX	1-2	
System Length Register	SLR	13	D	RW	NVAX	1-2	
CPU Identification	CPUID	14	E	RW	NVAX	2-1	
Reserved		15	F			3	E100003C
Process Control Block Base	PCBB	16	10	RW	NVAX	1-1	
System Control Block Base	SCBB	17	11	RW	NVAX	1-1	

(continued on next page)

Address Assignments B.5 Processor Registers

Table B–1 (Cont.) Processor Registers

Register Name	Mnemonic	Number		Type	Impl	Cat	I/O Address
		(Dec)	(Hex)				
Interrupt Priority Level ¹	IPL	18	12	RW	NVAX	1-1	
AST Level ¹	ASTLVL	19	13	RW	NVAX	1-1	
Software Interrupt Request Register	SIRR	20	14	W	NVAX	1-1	
Software Interrupt Summary Register ¹	SISR	21	15	RW	NVAX	1-1	
Reserved		22–23	16			3	E1000058
Interval Counter Control/Status	ICCS	24	18	RW	NCA	2-7	E1000060
Next Interval Count	NICR	25	19	RW	NCA	3-7	E1000064
Interval Count	ICR	26	1A	RW	NCA	3-7	E1000068
Time of Year Register	TODR	27	1B	RW	SSC	2-3	E100006C
Console Storage Receiver Status	CSRS	28	1C	RW	SSC	2-3	E1000070
Console Storage Receiver Data	CSRD	29	1D	R	SSC	2-3	E1000074
Console Storage Transmitter Status	CSTS	30	1E	RW	SSC	2-3	E1000078
Console Storage Transmitter Data	CSTD	31	1F	W	SSC	2-3	E100007C
Console Receiver Control/Status	RXCS	32	20	RW	SSC	2-3	E1000080
Console Receiver Data Buffer	RXDB	33	21	R	SSC	2-3	E1000084
Console Transmitter Control/Status	TXCS	34	22	RW	SSC	2-3	E1000088
Console Transmitter Data Buffer	TXDB	35	23	W	SSC	2-3	E100008C
Reserved		36	24			3	E1000090
Reserved		37	25			3	E1000094
Machine Check Error Register	MCESR	38	26	W	NVAX	2-1	
Reserved		39	27			3	E100009C
Reserved		40	28			3	E10000A0
Reserved		41	29			3	E10000A4
Console Saved PC	SAVPC	42	2A	R	NVAX	2-1	
Console Saved PSL	SAVPSL	43	2B	R	NVAX	2-1	
Reserved		44–54	2C			3	E10000B0

¹Initialized on reset

(continued on next page)

Address Assignments B.5 Processor Registers

Table B–1 (Cont.) Processor Registers

Register Name	Mnemonic	Number		Type	Impl	Cat	I/O Address
		(Dec)	(Hex)				
I/O System Reset Register	IORESET	55	37	W	SSC	2-3	E10000DC
Memory Management Enable ^{1,3}	MAPEN	56	38	RW	NVAX	1-2	
Translation Buffer Invalidate All ³	TBIA	57	39	W	NVAX	1-1	
Translation Buffer Invalidate Single ³	TBIS	58	3A	W	NVAX	1-1	
Reserved		59	3B			3	E10000EC
Reserved		60	3C			3	E10000F0
System Identification	SID	62	3E	R	NVAX	1-1	
Translation Buffer Check	TBCHK	63	3F	W	NVAX	1-1	
IPL 14 Interrupt ACK ⁵	IAK14	64	40	R	SSC	2-3	E1000100
IPL 15 Interrupt ACK ⁵	IAK15	65	41	R	SSC	2-3	E1000104
IPL 16 Interrupt ACK ⁵	IAK16	66	42	R	SSC	2-3	E1000108
IPL 17 Interrupt ACK ⁵	IAK17	67	43	R	SSC	2-3	E100010C
Clear Write Buffer ⁵	CWB	68	44	RW	SSC	2-3	E1000110
Reserved		69–99	45			3	E1000114
Reserved for VM		100	64			3	E1000190
Reserved for VM		101	65			3	E1000194
Reserved for VM		102	66			3	E1000198
Reserved		103–121	67			3	E100019C
Interrupt System Status Register	INTSYS	122	7A	RW	NVAX	2-1	
Performance Monitoring Facility Count	PMFCNT	123	7B	RW	NVAX	2-1	
Patchable Control Store Control Register	PCSCR	124	7C	WO	NVAX	2-1	
Ebox Control Register	ECR	125	7D	RW	NVAX	2-1	
Mbox TB Tag Fill ⁵	MTBTAG	126	7E	W	NVAX	2-1	

¹Initialized on reset

³Change broadcast to vector unit if present

⁵Testability and diagnostic use only; not for software use in normal operation

(continued on next page)

Address Assignments B.5 Processor Registers

Table B-1 (Cont.) Processor Registers

Register Name	Mnemonic	Number		Type	Impl	Cat	I/O Address
		(Dec)	(Hex)				
Mbox TB PTE Fill ⁵	MTBPTE	127	7F	W	NVAX	2-1	
Cbox Control Register	CCTL	160	A0	RW	NVAX	2-5	
Reserved		161	A1		NVAX	2-6	
Bcache Data ECC	BCDECC	162	A2	W	NVAX	2-5	
Bcache Error Tag Status	BCETSTS	163	A3	RW	NVAX	2-5	
Bcache Error Tag Index	BCETIDX	164	A4	R	NVAX	2-5	
Bcache Error Tag	BCETAG	165	A5	R	NVAX	2-5	
Bcache Error Data Status	BCEDSTS	166	A6	RW	NVAX	2-5	
Bcache Error Data Index	BCEDIDX	167	A7	R	NVAX	2-5	
Bcache Error ECC	BCEDECC	168	A8	R	NVAX	2-5	
Reserved		169	A9		NVAX	2-6	
Reserved		170	AA		NVAX	2-6	
Fill Error Address	CEFADR	171	AB	R	NVAX	2-5	
Fill Error Status	CEFSTS	172	AC	RW	NVAX	2-5	
Reserved		173	AD		NVAX	2-6	
NDAL Error Status	NESTS	174	AE	RW	NVAX	2-5	
Reserved		175	AF		NVAX	2-6	
NDAL Error Output Address	NEOADR	176	B0	R	NVAX	2-5	
Reserved		177	B1		NVAX	2-6	
NDAL Error Output Command	NEOCMD	178	B2	R	NVAX	2-5	
Reserved		179	B3		NVAX	2-6	
NDAL Error Data High	NEDATHI	180	B4	R	NVAX	2-5	
Reserved		181	B5		NVAX	2-6	
NDAL Error Data Low	NEDATLO	182	B6	R	NVAX	2-5	
Reserved		183	B7		NVAX	2-6	
NDAL Error Input Command	NEICMD	184	B8	R	NVAX	2-5	

⁵Testability and diagnostic use only; not for software use in normal operation

(continued on next page)

Address Assignments B.5 Processor Registers

Table B–1 (Cont.) Processor Registers

Register Name	Mnemonic	Number		Type	Impl	Cat	I/O Address
		(Dec)	(Hex)				
Reserved		185– 207	B9		NVAX	2-6	
VIC Memory Address Register	VMAR	208	D0	RW	NVAX	2-5	
VIC Tag Register	VTAG	209	D1	RW	NVAX	2-5	
VIC Data Register	VDATA	210	D2	RW	NVAX	2-5	
Ibox Control and Status Register	ICSR	211	D3	RW	NVAX	2-5	
Ibox Branch Prediction Control Register ⁵	BPCR	212	D4	RW	NVAX	2-5	
Reserved		213	D5		NVAX	2-6	
Ibox Backup PC ⁵	BPC	214	D6	R	NVAX	2-5	
Ibox Backup PC with RLOG Unwind ⁵	BPCUNW	215	D7	R	NVAX	2-5	
Reserved		216– 223	D8		NVAX	2-6	
Mbox P0 Base Register ⁵	MP0BR	224	E0	RW	NVAX	2-5	
Mbox P0 Length Register ⁵	MP0LR	225	E1	RW	NVAX	2-5	
Mbox P1 Base Register ⁵	MP1BR	226	E2	RW	NVAX	2-5	
Mbox P1 Length Register ⁵	MP1LR	227	E3	RW	NVAX	2-5	
Mbox System Base Register ⁵	MSBR	228	E4	RW	NVAX	2-5	
Mbox System Length Register ⁵	MSLR	229	E5	RW	NVAX	2-5	
Mbox Memory Management Enable ⁵	MMAPEN	230	E6	RW	NVAX	2-5	
Mbox Physical Address Mode	PAMODE	231	E7	RW	NVAX	2-5	
Mbox MME Address	MMEADR	232	E8	R	NVAX	2-5	
Mbox MME PTE Address	MMEPTE	233	E9	R	NVAX	2-5	
Mbox MME Status	MMESTS	234	EA	R	NVAX	2-5	
Reserved		235	EB		NVAX	2-6	
Mbox TB Parity Address	TBADR	236	EC	R	NVAX	2-5	
Mbox TB Parity Status	TBSTS	237	ED	RW	NVAX	2-5	

⁵Testability and diagnostic use only; not for software use in normal operation

(continued on next page)

Address Assignments B.5 Processor Registers

Table B-1 (Cont.) Processor Registers

Register Name	Mnemonic	Number		Type	Impl	Cat	I/O Address
		(Dec)	(Hex)				
Reserved		238	EE		NVAX	2-6	
Reserved		239	EF		NVAX	2-6	
Reserved		240	F0		NVAX	2-6	
Reserved		241	F1		NVAX	2-6	
Mbox Pcache Parity Address	PCADR	242	F2	R	NVAX	2-5	
Reserved		243	F3		NVAX	2-6	
Mbox Pcache Status	PCSTS	241	F4	RW	NVAX	2-5	
Reserved		245	F5		NVAX	2-6	
Reserved		246	F6		NVAX	2-6	
Reserved		247	F7		NVAX	2-6	
Mbox Pcache Control	PCCTL	248	F8	RW	NVAX	2-5	
Reserved		249	F9		NVAX	2-6	
Reserved		250	FA		NVAX	2-6	
Reserved		251	FB		NVAX	2-6	
Reserved		252	FC		NVAX	2-6	
Reserved		253	FD		NVAX	2-6	

(continued on next page)

Address Assignments B.5 Processor Registers

Table B-1 (Cont.) Processor Registers

Register Name	Mnemonic	Number		Type	Impl	Cat	I/O Address
		(Dec)	(Hex)				
Reserved		254	FE		NVAX	2-6	
Reserved		255	FF		NVAX	2-6	
Unimplemented			100– 00FFFFFF			3	
See Table B-2			01000000– FFFFFFFF				2

Type:

R = Read-only register
 RW = Read-write register
 W = Write-only register

Impl(emented):

NVAX = Implemented in the NVAX CPU chip
 System = Implemented in the system environment
 Vector = Implemented in the optional vector unit or its NDAL interface

Cat(egory), *class-subclass*, where:
class is one of:

- 1 = Implemented as per DEC standard 032
- 2 = NVAX-specific implementation which is unique or different from the DEC standard 032 implementation
- 3 = Not implemented internally; converted to I/O space read or write and passed to system environment

subclass is one of:

- 1 = Processed as appropriate by Ebox microcode
- 2 = Converted to Mbox IPR number and processed via internal IPR command
- 3 = Processed by internal IPR command, then converted to I/O space read or write and passed to system environment
- 4 = If virtual machine option is implemented, processed as in 1, otherwise as in 3
- 5 = Processed by internal IPR command
- 6 = May be block decoded; reference causes UNDEFINED behavior
- 7 = Full interval timer may be implemented in the system environment. Subset ICCS is implemented in NVAX CPU chip
- 8 = Converted to MFVP MSYNC

Address Assignments

B.6 IPR Address Space Decoding

B.6 IPR Address Space Decoding

Table B–2 lists the IPR address space decoding for the KA681, KA691, and KA692.

Table B–2 IPR Address Space Decoding

IPR Group	Mnemonic ¹	IPR Address Range (hex)	Contents
Normal		00000000..000000FF ²	256 individual IPRs.
Bcache Tag	BCTAG	01000000..011FFFE0 ²	64k Bcache tag IPRs, each separated by 20(hex) from the previous one.
Bcache Deallocate	BCFLUSH	01400000..015FFFE0 ²	64k Bcache tag deallocate IPRs, each separated by 20(hex) from the previous one.
Pcache Tag	PCTAG	01800000..01801FE0 ²	256 Pcache tag IPRs, 128 for each Pcache set, each separated by 20(hex) from the previous one.
Pcache Data Parity	PCDAP	01C00000..01C01FF8 ²	1024 Pcache data parity IPRs, 512 for each Pcache set, each separated by 8(hex) from the previous one.

¹The mnemonic is for the first IPR in the block.

²Unused fields in the IPR addresses for these groups should be zero. Neither hardware nor microcode detects and faults on an address in which these bits are nonzero. Although noncontiguous address ranges are shown for these groups, the entire IPR address space maps into one of these groups. If these fields are nonzero, the operation of the CPU is UNDEFINED.

Processor registers in all groups except the normal group are processed entirely by the NVAX CPU chip and will never appear on the NDAL. This is also true for a number of the IPRs in the normal group. IPRs in the normal group that are not processed by the NVAX CPU chip are converted into I/O space references and passed to the system environment via a read or write command on the NDAL.

Each of the 256 possible IPRs in the normal group are of longword length, so a 1-KB block of I/O space is required to convert each possible IPR to a unique I/O space longword. This block starts at address E1000000 (hex). Conversion of an IPR address to an I/O space address in this block is done by shifting the IPR address left into bits <9:2>, filling bits <1:0> with zeros, and merging in the base address of the block. This can be expressed by the equation:

$$IO\ ADDRESS = E1000000 + (IPR\ NUMBER * 4)$$

C

ROM Partitioning

This section describes ROM partitioning and subroutine entry points that are public and are guaranteed to be compatible over future versions of the firmware. An entry point is the address at which any subroutine or subprogram will start execution.

C.1 Firmware EPROM Layout

The KA681/KA691/KA692/KA694 has 512 Kbytes of FEPR0M. Unlike previous Q22-bus based processors, there is no duplicate decoding of the FEPR0M into halt-protected and halt-unprotected spaces. The entire FEPR0M is halt-protected. Figure C-1 illustrates the FEPR0M layout for the KA681, KA691, KA692, and KA694.

ROM Partitioning

C.1 Firmware EPROM Layout

Figure C–1 KA681/KA691/KA692/KA694 FEPR0M Layout

20040000	Branch Instruction
20040006	System ID Extension
20040008	PC\$MSG_OUT_NOLF_R4
2004000C	CP\$READ_WITH_PRMPPT_R4
20040010	Rsvd Mfg L200 Testing
20040014	Def Boot Dev Dscr Ptr
2004001c	Def Boot Flags Ptr
	Console, Diagnostic, and Boot Code
	EPROM Checksum
	Reserved for Digital
2005F800	4 Pages Reserved for Customer Use
2005FFFC	

MLO-007698

The first instruction executed on halts is a branch around the System ID Extension (SIE) and the callback entry points. This allows these public data structures to reside in fixed locations in the FEPR0M.

The callback area entry points provide a simple interface to the currently defined console for VMB and secondary bootstraps. This is documented further in the next section.

The fixed area checksum is the sum of longwords from 20040000 to the checksum inclusive. This checksum is distinct from the checksum that the rest of the console uses.

The console, diagnostic and boot code constitute the bulk of the firmware. This code is field upgradable. The console checksum is from 20044000 to the checksum inclusive.

The memory between the console checksum and the user area at the end of the FEPR0M is reserved for Digital for future expansion of the firmware. The contents of this area is set to FF.

The last 4096 bytes of FEPR0M are reserved for customer use and are not included in the console checksum. During a PROM bootstrap with PRB0 as the selected boot device, this block is tested for a PROM "signature block".

ROM Partitioning
C.1 Firmware EPROM Layout

C.1.1 System Identification Registers

The firmware and operating system software reference two registers to determine the processor on which they are running. The first, the System Identification register (SID), is a NVAX internal processor register. The second, the System Identification Extension register (SIE), is a firmware register located in the FEPROM.

C.1.1.1 PR\$_SID (IPR 62)

The SID longword can be read from IPR 62 using the MFPR instruction. This longword value is processor specific, however, the layout of this register is shown in Figure C–2. A description of each field is provided in Table C–1.

Figure C–2 SID: System Identification Register



Table C–1 System Identification Register

Field	Name	RW	Description
31:24	CPU_TYPE	ro	CPU type is the processor specific identification code. 0A : CVAX 0B : RIGEL 13 : NVAX 14 : SOC
24:8	reserved	ro	Reserved for future use.
7:0	VERSION	ro	Version of the microcode.

C.1.1.2 SIE (20040004)

The System Identification Extension register is an extension to the SID and is used to further differentiate between hardware configurations. The SID identifies which CPU and microcode are executing, and the SIE identifies what module and firmware revision are present. Note, the fields in this register are dependent on SID<31:24>(CPU_TYPE).

ROM Partitioning

C.1 Firmware EPROM Layout

By convention, all VAX 4000 systems implement a longword at physical location 20040004 in the firmware FEPRM for the SIE. The layout of the SIE is shown in Figure C-3. A description of each field is provided in Table C-2.

Figure C-3 SIE : System Identification Extension (20040004)

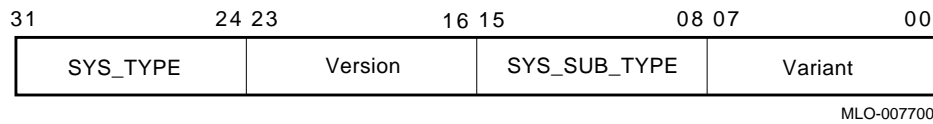


Table C-2 System Identification Extension

Field	Name	RW	Description
31:24	SYS_TYPE	ro	This field identifies the type of system for a specific processor. <i>01 : Q22-bus single processor system.</i>
23:16	VERSION	ro	This field identifies the resident version of the firmware encoded as two hexadecimal digits. For example, if the banner displays V5.0, then this field is 50 (hex).
15:8	SYS_SUB_TYPE	ro	This field identifies the particular system subtype. <i>01 : KA650</i> <i>02 : KA640</i> <i>03 : KA655</i> <i>04 : KA670</i> <i>05 : KA660</i> <i>06 : KA680</i> <i>07 : KA690</i> <i>0C : KA675</i> 0E : KA681 0F : KA691 10 : KA692 10 : KA694
7:0	VARIANT	ro	This field identifies the particular system variant.

ROM Partitioning C.1 Firmware EPROM Layout

C.1.2 Call-Back Entry Points

The firmware provides several entry points that facilitate I/O to the designated console device. Users of these entry points do not need to be aware of the console device type, be it a video terminal or workstation.

The primary intent of these routines is to provide a simple console device to VMB and secondary bootstraps, before operating systems load their own terminal drivers.

These are JSB (subroutine as opposed to procedure) entry points located in fixed locations in the firmware. These locations branch to code that in turn calls the appropriate routines.

All of the entry points are designed to run at IPL 31 on the interrupt stack in physical mode. Virtual mode is not supported. Due to internal firmware architectural restrictions, users are encouraged to only call into the halt-protected entry points. These entry points are listed in Table C-3.

Table C-3 Call-Back Entry Points

CP\$GET_CHAR_R4	20040008
CP\$MESSG_OUT_NOLF_R4	2004000C
CP\$READ_WTH_ PRMPT_R4	20040010

C.1.2.1 CP\$GETCHAR_R4

This routine returns the next character entered by the operator in R0. A timeout interval can be specified. If the timeout interval is zero, no timeout is generated. If a timeout is specified and if timeout occurs, a value of 18 (CAN) is returned instead of normal input.

Registers R0,R1,R2,R3 and R4 are modified by this routine, all others are preserved.

```
-----  
; Usage with timeout:  
  
movl    #timeout_in_tenths_of_second,r0 ; Specify timeout.  
jsb     @CP$GET_CHAR_R4                ; Call routine.  
cmpb    r0,#^x18                       ; Check for timeout.  
beql    timeout_handler                 ; Branch if timeout.  
; Input is in R0.  
  
-----
```

ROM Partitioning

C.1 Firmware EPROM Layout

```
    ; Usage without timeout:
    clr1    r0                                ; Specify no timeout.
    jsb     @CP$GET_CHAR_R4                   ; Call routine.
    ; Input is in R0.
    ;-----
```

C.1.2.2 CP\$MSG_OUT_NOLF_R4

This routine outputs a message to the console. The message is specified either by a message code or a string descriptor. The routine distinguishes between message codes and descriptors by requiring that any descriptor be located outside of the first page of memory. Hence, message codes are restricted to values between 0 and 511.

Registers R0,R1,R2,R3 and R4 are modified by this routine, all others are preserved.

```
    ;-----
    ; Usage with message code:
    movzbl  #console_message_code,r0         ; Specify message code.
    jsb     @CP$MSG_OUT_NOLF_R4             ; Call routine.
    ;-----
    ; Usage with a message descriptor (position dependent).
    movaq   5$,r0                            ; Specify address of desc.
    jsb     @CP$MSG_OUT_NOLF_R4             ; Call routine.
    .
    .
    5$:     .ascid  /This is a message/      ; Message with descriptor.
    ;-----
    ; Usage with a message descriptor (position independent).
    pushab  5$                               ; Generate message desc.
    pushl   #10$-5$                          ; on stack.
    movl    sp,r0                            ; Pass desc. addr. in R0.
    jsb     @CP$MSG_OUT_NOLF_R4             ; Call routine.
    clrq    (sp)+                            ; Purge desc. from stack.
    .
    .
    5$:     .ascii  /This is a message/      ; Message.
    10$:
    ;-----
```

ROM Partitioning

C.1 Firmware EPROM Layout

C.1.2.3 CP\$READ_WTH_PRMPT_R4

This routine outputs a prompt message and then inputs a character string from the console. When the input is accepted, DELETE, CONTROL-U and CONTROL-R functions are supported.

As with CP\$MESSG_OUT_NOLF_R4, either a message code or the address of a string descriptor is passed in R0 to specify the prompt string. A value of zero results in no prompt. A time-out value in 10-millisecond ticks may be passed in R1. If R1 is zero, the prompt will not timeout.

A descriptor of the input string is returned in R0 and R1. R0 contains the length of the string and R1 contains the address. This routine inputs the string into the console program string buffer and therefore the caller need not provide an input buffer. Successive calls, however, destroy the previous contents of the input buffer.

Registers R0,R1 are modified by this routine, all others are preserved.

```
-----  
; Usage with a message descriptor (position independent).  
  
pushab 5$ ; Generate prompt desc.  
pushl #10$-5$ ; on stack.  
movl sp,r0 ; Pass desc. addr. in R0.  
clrl r1 ; Specify no time-out.  
jsb @CP$READ_WTH_PRMPT_R4 ; Call routine.  
clrq (sp)+ ; Purge prompt desc.  
. ; Input desc in R0 and R1.  
. ;  
  
5$: .ascii /Prompt> / ; Prompt string.  
10$:  
  
-----
```

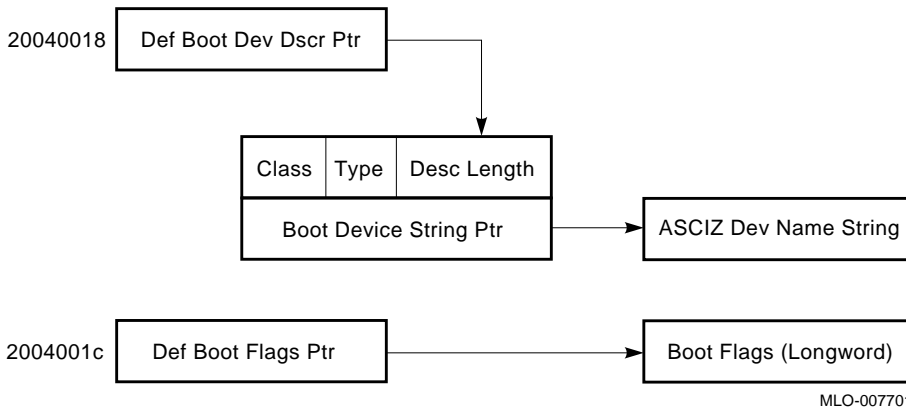
C.1.3 Boot Information Pointers

Two longwords located in FEPROM are used as pointers to the default boot device descriptor and the default boot flags (Figure C-4), because the actual location of this data may change in successive versions of the firmware. Any software that uses these pointers should reference them at the addresses in halt-protected space.

ROM Partitioning

C.1 Firmware EPROM Layout

Figure C-4 Boot Information Pointers



The following macro defines the boot device descriptor format.

```

;-----
; Default Boot Device Descriptor
;
boot_device_descriptor::
    base = .
    . = base + dsc$w_length
    .word  nvr$s_boot_device

    . = base + dsc$b_dtype
    .byte  dsc$k_dtype_z

    . = base + dsc$b_class
    .byte  dsc$k_class_z

    . = base + dsc$a_pointer
    .long  nvr_base + nvr$b_boot_device

    . = base + dsc$s_dscdef1
;-----

```

D

Data Structures and Memory Layout

This appendix contains definitions of the key global data structures used by the CPU firmware.

D.1 Halt Dispatch State Machine

The CPU halt dispatcher determines what actions the firmware will take on halt entry based on the machine state. The dispatcher is implemented as a state machine, which uses a single bitmap control word and the transition (see Table D–1) to process all halts. The transition table is sequentially searched for matches with the current state and control word. If there is a match, a transition occurs to the next state.

The control word comprises the following information:

- **Halt Type**, used for resolving external halts. Valid only if Halt Code is 00.
 - 000 : power-up state
 - 001 : halt in progress
 - 010 : negation of Q22–bus DCOK
 - 011 : console BREAK condition detected
 - 100 : Q22–bus BHALT
 - 101 : SGEC BOOT_L asserted (trigger boot)
- **Halt Code**, compressed form of SAVPSL<13:8>(RESTART_CODE).
 - 00 : RESTART_CODE = 2, external halt
 - 01 : RESTART_CODE = 3, power-up/reset
 - 10 : RESTART_CODE = 6, halt instruction
 - 11 : RESTART_CODE = any other, error halts

Data Structures and Memory Layout

D.1 Halt Dispatch State Machine

- **Mailbox Action**, passed by an operating system in CPMBX<1:0>(HALT_ACTION).
 - 00 : restart, boot, halt
 - 01 : restart, halt
 - 10 : boot, halt
 - 11 : halt
- **User Action**, specified with the SET HALT console command.
 - 000 : default
 - 001 : restart, halt
 - 010 : boot, halt
 - 011 : halt
 - 100 : restart, boot, halt
- **HEN**, Break (halt) Enable/Disable switch, BDR<07>
- **ERR**, error status
- **TIP**, trace in progress
- **DIP**, diagnostics in progress
- **BIP**, bootstrap in progress CPMBX<2>
- **RIP**, restart in progress CPMBX<3>

A transition to a "next state" occurs if a match is found between the control word and a "current state" entry in the table. The firmware does a linear search through the table for a match. Therefore, the order of the entries in the transition table is important. The control longword is reassembled before each transition from the current machine state. The state machine transitions are shown in Table D-1.

Table D-1 Firmware State Transition Table

Current State	Next State	Halt Type	Halt Code	Mailbx Action	User Action	HEN-ERR-TIP-DIP-BIP-RIP
				Perform conditional initialization. ¹		
ENTRY	->RESET INIT	xxx	01	xx	xxx	x - x - x - x - x - x

¹ Perform a unique initialization routine on entry. In particular, power-ups, BREAKs, and TRACEs require special initialization. Any other halt entry performs a default initialization.

(continued on next page)

Data Structures and Memory Layout D.1 Halt Dispatch State Machine

Table D–1 (Cont.) Firmware State Transition Table

Current State	Next State	Halt Type	Halt Code	Mailbx Action	User Action	HEN-ERR-TIP-DIP-BIP-RIP
ENTRY	→BREAK INIT	011	00	xx	xxx	x - x - x - x - x - x
ENTRY	→TRACE INIT	xxx	10	xx	xxx	x - 0 - 1 - x - x - x
ENTRY	→OTHER INIT	xxx	xx	xx	xxx	x - x - x - x - x - x
Perform common initialization. ²						
RESET INIT	→INIT	xxx	xx	xx	xxx	x - x - x - x - x - x
BREAK INIT	→INIT	xxx	xx	xx	xxx	x - x - x - x - x - x
TRACE INIT	→INIT	xxx	xx	xx	xxx	x - x - x - x - x - x
OTHER INIT	→INIT	xxx	xx	xx	xxx	x - x - x - x - x - x
Check for external halts. ³						
INIT	→BOOTSTRAP	010	00	xx	xxx	0 - x - x - x - x - x
INIT	→BOOTSTRAP	101	00	xx	xxx	x - x - x - x - x - x
INIT	→HALT	xxx	00	xx	xxx	x - x - x - x - x - x
Check for pending (NEXT) trace. ⁴						
INIT	→TRACE	xxx	10	xx	xxx	x - x - 1 - x - x - x
TRACE	→EXIT	xxx	10	xx	xxx	x - 0 - 1 - x - x - x

² After performing conditional initialization, complete common initialization.

³ Halt on all external halts, except:

if DCOK (unlikely) and halts are disabled, bootstrap
if SGEC remote trigger, bootstrap

⁴ Unconditionally enter the TRACE state, if the TIP flag is set and the halt was due to a HALT instruction. From the TRACE state the firmware exits, if TIP is set and ERR is clear; otherwise it halts.

(continued on next page)

Data Structures and Memory Layout

D.1 Halt Dispatch State Machine

Table D–1 (Cont.) Firmware State Transition Table

Current State	Next State	Halt Type	Halt Code	Mailbox Action	User Action	HEN-ERR-TIP-DIP-BIP-RIP
TRACE	->HALT	xxx	xx	xx	xxx	x - x - x - x - x - x
						Check for bootstrap conditions. ⁵
INIT	->BOOTSTRAP	xxx	01	xx	xxx	0 - 0 - 0 - 0 - 0 - 0
INIT	->BOOTSTRAP	xxx	01	xx	010	1 - 0 - 0 - 0 - 0 - 0
INIT	->BOOTSTRAP	xxx	01	xx	100	1 - 0 - 0 - 0 - 0 - 0
INIT	->BOOTSTRAP	xxx	1x	10	xxx	x - 0 - 0 - 0 - 0 - 0
INIT	->BOOTSTRAP	xxx	1x	00	010	x - 0 - 0 - 0 - 0 - 0
INIT	->BOOTSTRAP	xxx	1x	00	100	x - 0 - 0 - 0 - 0 - 1
INIT	->BOOTSTRAP	xxx	1x	00	100	x - 1 - 0 - 0 - 0 - x
INIT	->BOOTSTRAP	xxx	1x	00	000	0 - 0 - 0 - 0 - 0 - 1
RESTART	->BOOTSTRAP	xxx	1x	00	000	0 - 1 - 0 - 0 - 0 - x
						Check for restart conditions. ⁶
INIT	->RESTART	xxx	1x	01	xxx	x - 0 - 0 - 0 - 0 - 0

⁵ Bootstrap,

if power-up and halts are disabled.
if power-up and halts are enabled and user action is 2 or 4.
if not power-up and mailbox is 2.
if not power-up and mailbox is 0 and user action is 2.
if not power-up and restart failed and mailbox is 0 and user action is 0 or 4.

⁶ Restart the operating system if not power-up and,

if mailbox is 1.
if mailbox is 0 and user action is 1 or 4.
if mailbox is 0 and user action is 0 and halts are disabled.

(continued on next page)

Data Structures and Memory Layout D.1 Halt Dispatch State Machine

Table D-1 (Cont.) Firmware State Transition Table

Current State	Next State	Halt Type	Halt Code	Mailbox Action	User Action	HEN-ERR-TIP-DIP-BIP-RIP
INIT	->RESTART	xxx	1x	00	001	x - 0 - 0 - 0 - 0 - 0
INIT	->RESTART	xxx	1x	00	100	x - 0 - 0 - 0 - 0 - 0
INIT	->RESTART	xxx	1x	00	000	0 - 0 - 0 - 0 - 0 - 0
Perform common exit processing, if no errors. ⁷						
BOOTSTRAP	->EXIT	xxx	xx	xx	xxx	x - 0 - x - x - x - x
RESTART	->EXIT	xxx	xx	xx	xxx	x - 0 - x - x - x - x
HALT	->EXIT	xxx	xx	xx	xxx	x - 0 - x - x - x - x
Exception transitions, just halt. ⁸						
INIT	->HALT	xxx	xx	xx	xxx	x - x - x - x - x - x
BOOT	->HALT	xxx	xx	xx	xxx	x - x - x - x - x - x
REST	->HALT	xxx	xx	xx	xxx	x - x - x - x - x - x
HALT	->HALT	xxx	xx	xx	xxx	x - x - x - x - x - x
TRACE	->HALT	xxx	xx	xx	xxx	x - x - x - x - x - x
EXIT	->HALT	xxx	xx	xx	xxx	x - x - x - x - x - x

⁷ Exit after halts, bootstrap or restart. The exit state transitions to program I/O mode.

⁸ Guard block that catches all exception conditions. In all cases, just halt.

Data Structures and Memory Layout
D.2 Restart Parameter Block (RPB)

D.2 Restart Parameter Block (RPB)

Virtual Memory Boot (VMB) typically utilizes the low portion of memory unless there are bad pages in the first 128 Kbytes. The first page in its block is used for the RPB, through which it communicates to the operating system. Usually, this is page 0.

VMB will initialize the RPB as shown in Table D–2.

Table D–2 Restart Parameter Block Fields

(R11)+	Field Name	Description
00:	RPB\$L_BASE	Physical address of base of RPB.
04:	RPB\$L_RESTART	Cleared.
08:	RPB\$L_CHKSUM	-1
0C:	RPB\$L_RSTRFLG	Cleared.
10:	RPB\$L_HALTPC	R10 on entry to VMB (HALT PC).
10:	RPB\$L_HALTPSL	PR\$_SAVPSL on entry to VMB (HALT PSL).
18:	RPB\$L_HALTCODE	AP on entry to VMB (HALT CODE).
1C:	RPB\$L_BOOTR0	R0 on entry to VMB.
<hr/> Note <hr/>		
<p>The field RPB\$W_R0UBVEC, which overlaps the high-order word of RPB\$L_BOOTR0, is set by the boot device drivers to the SCB offset (in the second page of the SCB) of the interrupt vector for the boot device.</p> <hr/>		
20:	RPB\$L_BOOTR1	VMB version number. The high-order word of the version is the major ID and the low-order word is the minor ID.
24:	RPB\$L_BOOTR2	R2 on entry to VMB.
28:	RPB\$L_BOOTR3	R3 on entry to VMB.

(continued on next page)

Data Structures and Memory Layout D.2 Restart Parameter Block (RPB)

Table D–2 (Cont.) Restart Parameter Block Fields

(R11)+	Field Name	Description
2C:	RPB\$L_BOOTR4	R4 on entry to VMB.
<hr/> Note <hr/>		
<p>The 48-bit booting node address is stored in RPB\$L_BOOTR3 and RPB\$L_BOOTR4 for compatibility with ELN V1.1 (this field is only initialized this way when performing a network boot).</p> <hr/>		
30:	RPB\$L_BOOTR5	R5 on entry to VMB.
34:	RPB\$L_IOVEC	Physical address of boot driver's I/O vector of transfer addresses.
38:	RPB\$L_IOVECSZ	Size of BOOT QIO routine.
3C:	RPB\$L_FILLBN	LBN of secondary bootstrap image.
40:	RPB\$L_FILSIZ	Size of secondary bootstrap image in blocks.

(continued on next page)

Data Structures and Memory Layout

D.2 Restart Parameter Block (RPB)

Table D–2 (Cont.) Restart Parameter Block Fields

(R11)+	Field Name	Description
44:	RPB\$Q_PFNMAP	The PFN bitmap is an array of bits, where each bit has the value "1" if the corresponding page of memory is valid, or has the value "0" if the corresponding page of memory contains a memory error. Through use of the PFNMAP, the operating system can avoid memory errors by avoiding known bad pages altogether. The memory bitmap is always page-aligned, and describes all the pages of memory from physical page #0 to the high end of memory, but excluding the PFN bitmap itself and the Q-bus map registers. If the high byte of the bitmap spans some pages available to the operating system and some pages of the PFN bitmap itself, the pages corresponding to the bitmap itself will be marked as bad pages. The first longword of the PFNMAP descriptor contains the number of bytes in the PFNMAP; the second longword contains the physical address of the bitmap.
4C:	RPB\$L_PFNCNT	Count of "good" pages of physical memory, but not including the pages allocated to the Q22-bus scatter/ gather map, the console scratch area, and the PFN bitmap at the top of memory.
50:	RPB\$L_SVASPT	0.
54:	RPB\$L_CSRPHY	Physical address of CSR for boot device.
58:	RPB\$L_CSRVIR	0.
5C:	RPB\$L_ADPPHY	Physical address of ADP (really the address of QMRs - ^x800 to look like a UBA adapter).
60:	RPB\$L_ADPVIR	0.
64:	RPB\$W_UNIT	Unit number of boot device.
66:	RPB\$B_DEVTYP	Device type code of boot device.
67:	RPB\$B_SLAVE	Slave number of boot device.

(continued on next page)

Data Structures and Memory Layout D.2 Restart Parameter Block (RPB)

Table D–2 (Cont.) Restart Parameter Block Fields

(R11)+	Field Name	Description
68:	RPB\$T_FILE	Name of secondary bootstrap image (defaults to [SYS0.SYSEXE]SYSBOOT.EXE). This field (up to 40 bytes) is overwritten with the input string on a “solicit” boot.
Note		
<p>1: For VAX/OpenVMS, the RPB\$T_FILE must contain the root directory string "SYSn." on a non-network bootstrap. This string is parsed by SYSBOOT (SYSBOOT does not use the high nibble of BOOTR5).</p> <p>2: The RPB\$T_FILE is overwritten to contain the boot node name for compatibility with ELN V1.1 (this field is only initialized this way when performing a network boot).</p>		
90:	RPB\$B_CONFREG	Array (16 bytes) of adapter types (NDT\$_UB0 - UNIBUS).
A0:	RPB\$B_HDRPGCNT	Count of header pages.
A1:	RPB\$W_BOOTNDT	Boot adapter nexus device type. Used by SYSBOOT and INIADP (OF SYSLOA) to configure the adapter of the boot device (changed from a byte to a word field in Version 12 of VMB).
B0:	RPB\$L_SCBB	Physical address of SCB.
BC:	RPB\$L_MEMDSC	Count of pages in physical memory including both good and bad pages. The high 8 bits of this longword contain the TR #, which is always 0 for KA681/KA691/KA692/KA694.

(continued on next page)

Data Structures and Memory Layout

D.2 Restart Parameter Block (RPB)

Table D–2 (Cont.) Restart Parameter Block Fields

(R11)+	Field Name	Description
C0:	RPB\$L_MEMDSC+4	PFN of the first page of memory. This field is always 0 for KA681/KA691/KA692/KA694, even if page #0 is a bad page.
<hr/> Note <hr/>		
No other memory descriptors are used. <hr/>		
104:	RPB\$L_BADPGS	Count of "bad" pages of physical memory.
108:	RPB\$B_CTRLLTR	Boot device controller number biased by 1. In VAX/OpenVMS, this field is used by INIT (in SYS) to construct the boot device's controller letter. A 0 implies this field has not been initialized, else if initialized, A=1, B=2, etc. (this field was added in Version 13 of VMB).
nn:		The rest of the RPB is zeroed.

D.3 VMB Argument List

The VMB code will also initialize an argument list as shown in Table D–3 (the address of the argument list is passed in the AP).

Table D–3 VMB Argument List

(AP)+	Field Name	Description
04:	VMB\$L_FILECACHE	Quadword filename.
0C:	VMB\$L_LO_PFN	PFN of first page of physical memory (always 0, regardless of where 128 Kbytes of "good" memory starts).
10:	VMB\$L_HI_PFN	PFN of last page of physical memory.
14:	VMB\$Q_PFNMAP	Descriptor of PFN bitmap. First longword contains count of bytes in bitmap. Second longword contains physical address of bitmap. (Same rules as for RPB\$Q_PFNMAP listed above.)

(continued on next page)

Data Structures and Memory Layout

D.3 VMB Argument List

Table D-3 (Cont.) VMB Argument List

(AP)+	Field Name	Description
1C:	VMB\$Q_UCODE	Quadword.
24:	VMB\$B_SYSTEMID	48-bit (actually a quadword is allocated) booting node address which is initialized when performing a network boot. This field is copied from the Target System Address parameter of the parameters message. (The DECnet HIORD value is added if the field was two bytes.)
2C:	VMB\$L_FLAGS	Set as needed.
30:	VMB\$L_CI_HIPFN	Cluster interface high PFN.
34:	VMB\$Q_NODENAME	Boot node name which is initialized when performing a network boot. This field is copied from the Target System Name parameter of the parameters message.
3C:	VMB\$Q_HOSTADDR	Host node address (this value is only initialized when booting over the network). This field is copied from the Host System Address parameter of the parameters message.
44:	VMB\$Q_HOSTNAME	Host node name (this value is only initialized when performing a network boot). This field is copied from the Host System Name parameter of the parameters message.
4C:	VMB\$Q_TOD	Time of day (this value is only initialized when performing a network boot). The time of day is copied from the first eight bytes of the Host System Time parameter of the parameters message. (The time differential values are NOT copied.)
54:	VMB\$L_XPARAM	Pointer to data retrieved from request of the parameter file.
58:		The rest of the argument list is zeroed.

E

Configurable Machine State

The KA681/KA691/KA692/KA694 CPU module has many control registers that need to be configured for proper operation of the module. The following list shows the normal state of all configurable bits in the CPU module as they are left after the successful completion of power-up ROM diagnostics.

VAX 4000 Models 500A, 505A, 600A, 700A, 705A
Configuration registers and writable bits: (* = power up reset state)

NCA:
====

CMCDISR: Mode Control and Diagnostic Status Register (2102 0004)

15:14: CP2 MT Timer Prescaler
11 = 144000 cycles* - needed for CQBIC 10ms No Grant
timeout

13:12: CP1 MT Timer Prescaler
00 = 144 cycles - minimum for passive releases, no
cycle should take longer than this

11:10: NDAL Timeout Prescaler
00 = 3200 cycles* - this is longer than both NCA and
NMC transactions timeouts, preserves timeout
order

9: QBUS_TRANS enable (formerly CQBIC_PRESENT)
0 = QBUS_TRANS signal disabled* - this is to avoid
QBUS_TRANS deadlock

8: IO2 ID enable
1 = enabled

7: Force wrong CP2 bus parity
0 = off* - diagnostic use only

6: Force wrong CP1 bus parity
0 = off* - diagnostic use only

5: Force wrong NDAL master parity
0 = off* - diagnostic use only

4: Force wrong NDAL slave parity
0 = off* - diagnostic use only

Configurable Machine State

3: Enable prefetch
1 = enable CP bus prefetch on DMA reads

2: Force write buffer hit
0 = off* - diagnostic use only

1: Force CP2 bus owner
0 = disabled - diagnostic use only

0: Force CP1 bus owner
0 = disabled - diagnostic use only

ICCS: Interval Clock Control and Status Register (2100 0060)

NOTE: OpenVMS sets ICCS, NICR to proper values

6: Interrupt enable
0 = disabled*

5: Single step
0 = off*

4: Transfer
0 = disabled*

0: Run - increment every μ s
0 = do not increment*

NICR: Next Interval Count Register (2100 0064)

31:0 Initial count value for ICR (FFFFD8F0* (10ms))

NMC:
====

MEMCON_0-7: Memory Configuration Registers (2101 8000 thru 2101 801C)

NOTE: Diagnostics set these registers based on available memory

31: Base Address Valid
0 = not valid*
1 = valid

28:24: Base Address (0 on reset)
1MB RAM - all address bits used
4MB RAM - only <28:26> used

2:1 RAM size
00 = 1MB RAM*
01 = 1MB RAM
10 = 4MB RAM
11 = non-existent bank

0: Mode
1 = 64-bit mode

Configurable Machine State

MMCDISR: Mode Control and Diagnostic Status Register (2101 8048)

31: Fast Diagnostic Mode (FDM)
0 = disabled* - diagnostic use only

30: FDM Second pass
0 = disabled* - diagnostic use only

29: Diagnostic Checkbit mode
0 = disabled* - diagnostic use only

28: QBus on IO1
0 = QBus on IO2*

27: Enable soft error log (NDAL & memory related)
0 = disabled* - OpenVMS enables this

26: Flush BCache
0 = don't flush*

24:17: Memory diagnostic check bits
0 - meaningful only in diagnostic check mode* (may or
may not be read as 0)

8:7: NDAL Timeout Scaler
00 = 2600 cycles* - maximum, to preserve timeout order

6: Disable memory error
0 = memory errors detected and corrected*

5: Refresh interval timer select
0 = 328 cycles* (Model 500A, 600A, 700A)

4:2: Force wrong parity on NDAL transactions
0 = off* - diagnostic use only

1: Disable memory refresh
0 = memory refreshed*

0: Force refresh
0 = normal refresh*

MOAMR: O-bit Address and Mode Register (2101 804C)

16: Ignore O-bit mode
0 = O-bits checked*

15: Disable O-bit error
0 = O-bit errors detected*

14:6: O-bit segment address (0*) - meaningful only during
O-bit data register access

5:3: O-bit mask (0*) - meaningful only during O-bit data
register access

2:0: O-bit operation mode
000 = reconstruction mode* - meaningful only during
O-bit data register access

Configurable Machine State

MODR: 0-bit Data Registers (2101 0000 thru 2101 7FFF)

23:12: 0-bit field 1 (0*) - used only during Fast Memory test
11:0: 0-bit field 0 (0*) - used only during Fast 0-bit test mode

NVAX:
=====

CPUID: CPU ID Register (IPR E)

7:0: CPU identification = 0 (for single processor config.)

SID: System Identification Register (IPR 3E)

NOTE: this register may only be written by microcode
31:24: CPU type - 13hex (NVAX code)
13:8: Patch revision
7:0: Microcode revision

ICSR: IBox Control and Status Register (IPR D3)

0: VIC enable
1 = enabled (Models 500A,600A,700A)

ECR: EBox Control Register (IPR 7D)

13: FBox test enable
0 = disabled* - diagnostic use only
7: Interval time mode
1 = full CPU implemented interval timer
5: S3 stall timeout
0 = counts cycles w/ timeout_enable asserted* (~3 sec)
3: FBox stage 4 bypass
1 = enabled - result from stage 3 passed directly to FBox output interface (improves FBox latency)
2: S3 external time base timeout
0 = disabled* - use internal time base
1: FBox enable
1 = enabled
0: Vector present
0 = no* - no vector option available at this time

MMAPEN: Memory Map Enable Register (IPR E6)

0: Memory map enable
0 = disabled* - OpenVMS enables this

Configurable Machine State

PAMODE: Physical Address Mode Register (IPR E7)

0: Physical address mode
0 = 30-bit physical address space*

PCCTL: PCache Control Register (IPR F8)

8: PCache Electrical disable
0 = PCache enabled*

7:5 MBox performance monitor mode
0 - diagnostic use only*

4: PCache error enable
1 = enables PCache error detection

3: Bank select during force hit mode
0 = left bank selected if force hit mode enabled*
- diagnostic use only

2: Force hit
0 = disabled* - diagnostic use only

1: I_enable
1 = enable PCache for IREAD, INVAL, I_CF commands

0: D_enable
1 = enable PCache for INVAL, D-stream read/write/fill
commands

CCTL: CBox Control Register (IPR A0)

30: Software ETM
0 = disabled* - diagnostic use only

16: Force NDAL parity error
0 = off* - diagnostic use only

15:11: Performance monitoring BCache access and hit type
0 - configures BCache for performance monitoring* -
meaningful only during performance monitoring

10: Disable CBox write packer
0 = write packer enabled* - improves write latency

9: Read timeout counter test
0 = test disabled* - use external time base for read
timeout counter

8: Software ECC
0 = use correct ECC*

7: Disable BCache errors
0 = BCache errors detected*

6: Force Hit
0 = disabled* - diagnostic use only

Configurable Machine State

5:4: BCache size
00 = 128 KB* (Model 500A)
10 = 512 KB (Model 600A)
11 = 2 MB (Model 700A)

3:2: Data store speed
00 = 2 cycle read, 3 cycle write* (Model 600A/700A)
01 = 3 cycle read, 4 cycle write (Model 500A)

1: Tag store speed
0 = 3 cycle read, 3 cycle write* (Model 600A)
1 = 4 cycle read, 4 cycle write (Models 500A, 700A)

0: Enable BCache
1 = enabled

CQBIC:
=====

SCR: System Configuration Register (2008 0000)

14: Halt enable
1 = BHALT to CQBIC HALTIN pin to cause halts

12: Page prefetch disable
1 = map prefetch disabled - historical latency reasons

7: Restart enable
0 = QBus restart causes ARB power-up reset*

3:1: ICR offset address select bits
0 = no effect (AUX mode not supported)*

ICR: Interprocessor Communication Register (2000 1F40)

8: AUX Halt
0 = no halt (AUX mode not supported)

6: ICR interrupt enable
0 = interprocessor interrupts disabled - only uniprocessor config. allowed

5: Local memory external access enable
0 = external access disabled* - OpenVMS will configure map

QBMBR: Q-Bus Map Base Address Register (2008 0010)

28:15: address where 8K QBus mapping registers are located (OpenVMS reconfigures map)

SHAC:
=====

NOTE: all SHAC registers are subsequently configured by OpenVMS driver

PQBRR: Port Queue Block Base Register (2000 4048)

20:0: upper bits of physical address of base of Port Queue block. Contains HW version, FW version, shared host memory version and CI port maintenance ID at power-up.

Configurable Machine State

PPR: Port Parameter Register (2000 4058)

31:29: Cluster size. For SHAC value = 0.
28:16: Internal buffer length = 0* (For SHAC value = 1010 hex)
7:0: Port number. Same as SHAC's DSSI ID.

PMCSR: Port Maintenance Control and Status Register (2000 405C)

2: Interrupt enable
0 = disabled*
1: Maintenance timer disable
0 = enabled*

SGEC:
=====

NOTE: all SGEC registers are subsequently configured by OpenVMS driver

NICSR0: Vector Address, IPL, Synch/Asynch Register (2000 8000)

31:30: Interrupt priority
00 = 14*
29: Synch/Asynch bus master operating mode
0 = asynchronous*
15:0: Interrupt vector = 0003hex*

NICSR6: Command and Mode Register (2000 8018)

30: Interrupt enable
0 = disabled*
28:25: Burst limit mode
maximum number of longwords transferred in a single
DMA burst. 1*,2,4,8 when NICSR<19>is clear;
1*,4 when set.
20: Boot message enable mode
0 = disabled*
19: Single cycle enable mode
0 = disabled*
11: Start/Stop transmission command
0 = SGEC transmission process in stopped state*
10: Start/Stop reception command
0 = SGEC reception process in stopped state*
9:8: Operating mode
00 = normal mode*
7: Disable data chaining mode
0 = frames too long for current receive buffer will be
transferred to the next buffer(s) in receive list*

Configurable Machine State

6: Force collision mode (internal loopback mode only)
0 = no collision*

3: Pass bad frames mode
0 = bad frames discarded*

2:1: Address filtering mode
00 = normal mode*

NICSR7: System Base Register (2000 801C)

29:0: System base address - physical starting address of
the VAX system page table (unpredictable after reset)

NICSR9: Watchdog Timers Register (2000 8024)

31:16: Receive watchdog timeout
0 = never timeout*
default = 1250 = 2 ms
range = 72 μ s (45) to 100 ms

15:0: Transmit watchdog timeout
0 = never timeout*
default = 1250 = 2 ms
range = 72 μ s (45) to 100 ms

SSC:
====

SSCBAR: SSC Base Address Register (2014 0000)

29:0 20140000 = Base address*

SSCCR: SSC Configuration Register (2014 0010)

27: Interrupt vector disable
0 = interrupt vector enabled*

25:24: IPL Level
00 = 14*

23: ROM access time
0 = 350 ns*

22:20: ROM size
101 = 256KB

18:16: Halt protected space
101 = 20040000 - 2007FFFF (historical)

15: Control P enable
0 = 20 spaces recognized as break*, not control-p
(historical)

14:12: Terminal UART baud rate
101 = 9600 (historical)

6: Programmable address strobe 1 ready enable (for BDR)
1 = ready asserted after address strobe

Configurable Machine State

5:4: Programmable address strobe 1 enable (for BDR)
11 = read enabled, write enabled

2: Programmable address strobe 0 ready enable
0 = no ready after address strobe* - not used

1:0: Programmable address strobe 0 enable
00 = read disabled, write disabled* - not used

RXCS: Console Receiver Control and Status Register (2014 0080)

6: Interrupt enable
0 = disabled* - polled in console mode

TXCS: Console Transmitter Control and Status Register (2014 0088)

6: Interrupt enable
0 = disabled*

2: Loopback enable
0 = disabled* - diagnostic use only

0: Break transmit
0 = terminate SPACE condition*

SSCBT: SSC Bus Time Out Register (2014 0020)

23:0: Bus timeout interval = 4000hex (16.384 ms)
range = 1 to FFFFFFF (1 μ s to 16.77 sec)

ADS0MAT: Programmable Address Strobe 0 Match Register (2014 0130)

29:2: Match address
0 = disabled* - not used

ADS0MAS: Programmable Address Strobe 0 Mask Register (2014 0134)

29:2: Mask address bits - not used

ADS1MAT: Programmable Address Strobe 1 Match Register (2014 0140)

29:2: Match address = 20084000 (for BDR)

ADS1MAS: Programmable Address Strobe 1 Mask Register (2014 0144)

29:2: Mask address bits = 7C (for BDR)

T1CR: Programmable Timer 0 Control Register (2014 0100)

6: Interrupt enable
0 = disabled*

2: STP
0 = run after overflow*

0: RUN
0 = counter not running* (historical)

Configurable Machine State

T1CR: Programmable Timer 1 Control Register (2014 0110)

6: Interrupt enable
0 = disabled*

2: STP
0 = run after overflow*

0: RUN
1 = counter incrementing every microsecond (historical)

TNIR: Programmable Timer Next Interval Registers (2014 0108,
----- 2014 0118)
31:0: Timer next interval count (use 2's complement)
range = 0* to 1.2 hours

T0IV: Programmable Timer 0 Interrupt Vector Register (2014 010C)

9:2: Timer interrupt vector = 78hex

T1IV: Programmable Timer 1 Interrupt Vector Registers (2014 011C)

9:2: Timer interrupt vector = 7Chex

TOY: Time of Year Register (2014 006C)

31:0: Number of 10 ms intervals since written

DLEDR: Diagnostic LED Register (2014 0030)

3:0: Display bits
0 = LEDs on* (historical)

F

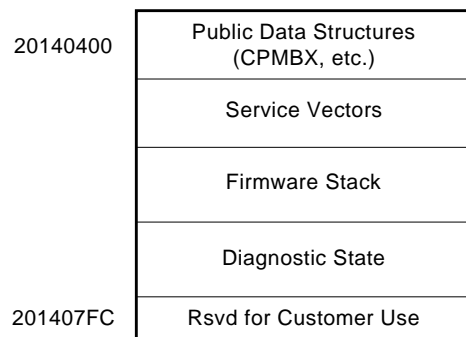
NVRAM Partitioning

This appendix describes how the CPU firmware partitions the SSC 1 KB battery-backed-up (BBU) RAM.

F.1 SSC RAM Layout

The KA681/KA691/KA692/KA694 firmware uses the 1KB of NVRAM on the SSC for storage of firmware specific data structures and other information that must be preserved across power cycles. This NVRAM resides in the SSC chip starting at address 20140400. See Figure F–1. The NVRAM should not be used by the operating systems except as documented below. This NVRAM is not reflected in the bitmap built by the firmware.

Figure F–1 KA681/KA691/KA692/KA694 SSC NVRAM Layout



MLO-008655

F.1.1 Public Data Structures

The following is a list of the public data structures in NVRAM used by the console.

Fields that are designated as reserved and/or internal use should not be written, because there is no protection against such corruption.

NVRAM Partitioning

F.1 SSC RAM Layout

F.1.2 Console Program MailBox (CPMBX)

The Console Program MailBox (CPMBX) is a software data structure located at the beginning of NVRAM (20140400). The CPMBX is used to pass information between the CPU firmware and diagnostics, VMB, or an operating system. It consists of three bytes referred to here as NVR0, NVR1, and NVR2. Figure F–2 illustrates the NVR0 and Table F–1 defines the fields in NVR0.

Figure F–2 NVR0 (20140400): Console Program MailBoX (CPMBX)

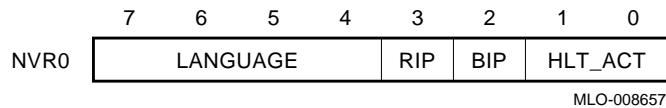


Table F–1 NVR0 (20140400): Console Program MailBoX (CPMBX)

Field	Name	Description
7:4	LANGUAGE	This field specifies the current selected language for displaying halt and error messages on terminals which support MCS.
3	RIP	If set, a restart attempt is in progress. This flag must be cleared by the operating system if the restart succeeds.
2	BIP	If set, a bootstrap attempt is in progress. This flag must be cleared by the operating system if the bootstrap succeeds.
1:0	HLT_ACT	Processor halt action—this field in conjunction with the conditions specified in Table 3–5 is used to control the automatic restart/bootstrap procedure. HLT_ACT is normally written by the operating system.
		0 : Restart; if that fails, reboot; if that fails, halt. 1 : Restart; if that fails, halt. 2 : Reboot; if that fails, halt. 3 : Halt.

NVRAM Partitioning F.1 SSC RAM Layout

Figure F-3 illustrates the NVR1 and Table F-2 defines the fields in NVR1.

Figure F-3 NVR1 (20140401)

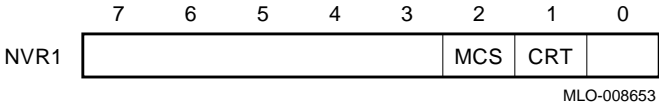


Table F-2 NVR1 (20140401)

Field	Name	Description
2	MCS	If set, indicates that the attached terminal supports Multinational Character Set. If clear, MCS is not supported.
1	CRT	If set, indicates that the attached terminal is a CRT. If clear, indicates that the terminal is hardcopy.

Figure F-4 illustrates the NVR1 and Table F-3 defines the fields in NVR1.

Figure F-4 NVR2 (20140402)

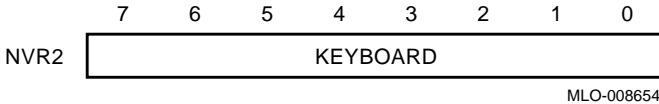


Table F-3 NVR2 (20140402)

Field	Name	Description
7:0	KEYBOARD	This field indicates the national keyboard variant in use.

F.1.3 Firmware Stack

This section contains the stack that is used by all of the firmware, with the exception of VMB, which has its own built-in stack.

F.1.4 Diagnostic State

This area is used by the firmware resident diagnostics. This section is not documented here.

NVRAM Partitioning

F.1 SSC RAM Layout

F.1.5 USER Area

The KA681/KA691/KA692/KA694 console reserves the last longword (address 201407FC) of the NVRAM for customer use. This location is not tested by the console firmware. Its value is undefined.

G

MOP Counters

The following counters are kept for the Ethernet boot channel. All counters are unsigned integers. V4 counters rollover on overflow. All V3 counters "latch" at their maximum value to indicate overflow. Unless otherwise stated, all counters include both normal and multicast traffic. Furthermore, they include information for all protocol types. Frames received and bytes received counters do not include frames received with errors. Table G–1 displays the byte lengths and ordering of all the counters in both MOP Version 3.0 and 4.0.

Table G–1 MOP Counter Block

Name	V3		V4		Description
	Off	Len	Off	Len	
TIME_SINCE_CREATION	00	2	00	16	Time since last zeroed. The time which has elapsed since the counters were last zeroed. Provides a frame of reference for the other counters by indicating the amount of time they cover. For MOP V3, this time is the number of seconds. MOP V4 uses the UTC Binary Relative Time format.

(continued on next page)

MOP Counters

Table G–1 (Cont.) MOP Counter Block

Name	V3		V4		Description
	Off	Len	Off	Len	
Rx_BYTES	02	4	10	8	Bytes received. The total number of user data bytes successfully received. This does not include Ethernet data link headers. This number is the number of bytes in the Ethernet data field, which includes any padding or length fields when they are enabled. These are bytes from frames that passed hardware filtering. When the number of frames received is used to calculate protocol overhead, the overhead plus bytes received provides a measurement of the amount of Ethernet bandwidth (over time) consumed by frames addressed to the local system.
Tx_BYTES	06	4	18	8	Bytes sent. The total number of user data bytes successfully transmitted. This does not include Ethernet data link headers or data link generated retransmissions. This number is the number of bytes in the Ethernet data field, which includes any padding or length fields when they are enabled. When the number of frames sent is used to calculate protocol overhead, the overhead plus bytes sent provides a measurement of the amount of Ethernet bandwidth (over time) consumed by frames sent by the local system.

(continued on next page)

MOP Counters

Table G–1 (Cont.) MOP Counter Block

Name	V3		V4		Description
	Off	Len	Off	Len	
Rx_FRAMES	0A	4	20	8	Frames received. The total number of frames successfully received. These are frames that passed hardware filtering. Provides a gross measurement of incoming Ethernet usage by the local system. Provides information used to determine the ratio of the error counters to successful transmits.
Tx_FRAMES	0E	4	28	8	Frames sent. The total number of frames successfully transmitted. This does not include data link generated retransmissions. Provides a gross measurement of outgoing Ethernet usage by the local system. Provides information used to determine the ratio of the error counters to successful transmits.
Rx_MCAST_BYTES	12	4	30	8	Multicast bytes received. The total number of multicast data bytes successfully received. This does not include Ethernet data link headers. This number is the number of bytes in the Ethernet data field. In conjunction with total bytes received, provides a measurement of the percentage of this system's receive bandwidth (over time) that was consumed by multicast frames addressed to the local system.

(continued on next page)

MOP Counters

Table G–1 (Cont.) MOP Counter Block

Name	V3		V4		Description
	Off	Len	Off	Len	
Rx_MCAST_FRAMES	16	4	38	8	Multicast frames received. The total number of multicast frames successfully received. In conjunction with total frames received, provides a gross percentage of the Ethernet usage for multicast frames addressed to this system.
Tx_INIT_DEFERED	1A	4	40	8	Frames sent¹, initially deferred. The total number of times that a frame transmission was deferred on its first transmission attempt. In conjunction with total frames sent, measures Ethernet contention with no collisions.
Tx_ONE_COLLISION	1E	4	48	8	Frames sent¹, single collision. The total number of times that a frame was successfully transmitted on the second attempt after a normal collision on the first attempt. In conjunction with total frames sent, measures Ethernet contention at a level where there are collisions but the backoff algorithm still operates efficiently.
Tx_MULTI_COLLISION	22	4	50	8	Frames sent¹, multiple collisions. The total number of times that a frame was successfully transmitted on the third or later attempt after normal collisions on previous attempts. In conjunction with total frames sent, measures Ethernet contention at a level where there are collisions and the backoff algorithm no longer operates efficiently. NO SINGLE FRAME IS COUNTED IN MORE THAN ONE OF THE ABOVE THREE COUNTERS.

¹Only one of these three counters will be incremented for a given frame.

(continued on next page)

MOP Counters

Table G-1 (Cont.) MOP Counter Block

Name	V3		V4		Description
	Off	Len	Off	Len	
TxFAIL_COUNT	26	2	-	-	Send failure count. ² The total number of times a transmit attempt failed. Each time the counter is incremented, a type of failure is recorded. When Read-counter function reads the counter, the list of failures is also read. When the counter is set to zero, the list of failures is cleared. In conjunction with total frames sent, provides a measure of significant transmit problems. TxFAIL_BITMAP contains the possible reasons.
TxFAIL_BITMAP	2C	2	-	-	Send failure reason bitmap. ² This bitmap lists the types of transmit failures that occurred as summarized below. 0 - Excessive collisions. 1 - Carrier detect failed. 2 - Short circuit. 3 - Open circuit. 4 - Frame too long. 5 - Remote failure to defer.
TxFAIL_EXCESS_COLLIS	-	-	58	8	Send failure - Excessive collisions. Exceeded the maximum number of retransmissions due to collisions. Indicates an overload condition on the Ethernet.

²V3 send/receive failures are collapsed into one counter with bitmap indicating which failures occurred.

(continued on next page)

MOP Counters

Table G-1 (Cont.) MOP Counter Block

Name	V3		V4		Description
	Off	Len	Off	Len	
TxFAIL_CARRIER_CHECK	-	-	60	8	Send failure - Carrier check failed. The data link did not sense the receive signal that is required to accompany the transmission of a frame. Indicates a failure in either the transmitting or receiving hardware. Could be caused by either transceiver, transceiver cable, or a babbling controller that has been cut off.
TxFAIL_SHRT_CIRCUIT	-	-	68	8	Send failure - Short circuit. ³ There is a short somewhere in the local area network coaxial cable or the transceiver or controller /transceiver cable has failed. This indicates a problem either in local hardware or global network. The two can be distinguished by checking to see if other systems are reporting the same problem.
TxFAIL_OPEN_CIRCUIT	-	-	70	8	Send failure - Open circuit. ³ There is a break somewhere in the local area network coaxial cable. This indicates a problem either in local hardware or global network. The two can be distinguished by checking to see if other systems are reporting the same problem.
TxFAIL_LONG_FRAME	-	-	78	8	Send failure - Frame too long. ³ The controller or transceiver cut off transmission at the maximum size. This indicates a problem with the local system. Either it tried to send a frame that was too long or the hardware cutoff transmission too soon.

³Always zero.

(continued on next page)

MOP Counters

Table G–1 (Cont.) MOP Counter Block

Name	V3		V4		Description
	Off	Len	Off	Len	
TxFAIL_REMOTE_DEFER	-	-	80	8	Send failure - Remote failure to defer. ³ A remote system began transmitting after the allowed window for collisions. This indicates either a problem with some other system's carrier sense or a weak transmitter.
RxFAIL_COUNT	2A	2	-	-	Receive failure count. ² The total number of frames received with some data error. Includes only data frames that passed either physical or multicast address comparison. This counter includes failure reasons in the same way as the send failure counter. In conjunction with total frames received, provides a measure of data related receive problems. RxFAIL_BITMAP contains the possible reasons.
RxFAIL_BITMAP	2C	2	-	-	Receive failure reason bitmap. ² This bitmap lists the types of receive failures that occurred as summarized below. 0 - Block check failure. 1 - Framing error. 2 - Frame too long.
RxFAIL_BLOCK_CHECK	-	-	88	8	Receive failure - Block check error. A frame failed the CRC check. This indicates several possible failures, such as EMI, late collisions, or improperly set hardware parameters.

²V3 send/receive failures are collapsed into one counter with bitmap indicating which failures occurred.

³Always zero.

(continued on next page)

MOP Counters

Table G–1 (Cont.) MOP Counter Block

Name	V3		V4		Description
	Off	Len	Off	Len	
RxFAIL_FRAMING_ERR	-	-	90	8	Receive failure - Framing error. The frame did not contain an integral number of 8-bit bytes. This indicates several possible failures, such as EMI, late collisions, or improperly set hardware parameters.
RxFAIL_LONG_FRAME	-	-	98	8	Receive failure - Frame too long. ³ The frame was discarded because it was outside the Ethernet maximum length and could not be received. This indicates that a remote system is sending invalid length frames.
UNKNOWN_DESTINATION	2E	2	A0	8	Unrecognized frame destination. The number of times a frame was discarded because there was no portal with the protocol type or multicast address enabled. This includes frames received for the physical address, the broadcast address, or a multicast address.
DATA_OVERRUN	30	2	A8	8	Data overrun. The total number of times the hardware lost an incoming frame because it was unable to keep up with the data rate. In conjunction with total frames received, provides a measure of hardware resource failures. The problem reflected in this counter is also captured as an event.

³Always zero.

(continued on next page)

MOP Counters

Table G–1 (Cont.) MOP Counter Block

Name	V3		V4		Description
	Off	Len	Off	Len	
NO_SYSTEM_BUFFER	32	2	B0	8	System buffer unavailable. ³ The total number of times no system buffer was available for an incoming frame. In conjunction with total frames received, provides a measure of system buffer related receive problems. The problem reflected in this counter is also captured as an event. This can be any buffer between the hardware and the user buffers (those supplied on Receive requests). Further information as to potential different buffer pools is implementation specific.
NO_USER_BUFFER	34	2	B8	8	User buffer unavailable. ³ The total number of times no user buffer was available for an incoming frame that passed all filtering. These are the buffers supplied by users on Receive requests. In conjunction with total frames received, provides a measure of user buffer related receive problems. The problem reflected in this counter is also captured as an event.
FAIL_COLLIS_DETECT	-	-	C0	8	Collision detect check failure. The approximate number of times that collision detect was not sensed after a transmission. If this counter contains a number roughly equal to the number of frames sent, either the collision detect circuitry is not working correctly or the test signal is not implemented.

³Always zero.

H

Programming the KFQSA Adapter

The KFQSA emulates a UQSSP controller for each Integrated Storage Element (ISE) to which it is connected, and thus presents a separate CSR address for each emulated controller. The KFQSA must be programmed with a correct CSR for each ISE on the DSSI bus. Interrupt vectors for the KFQSA are programmed automatically by the operating system.

Unlike most other Q-bus controllers, the KFQSA CSR addresses are not set with switches or jumpers. They are contained in nonvolatile memory on the KFQSA module, in the form of a configuration table. To access the configuration table, the KFQSA needs to have a valid address already in the table. This could be preprogrammed at the factory, but then you need to have an ISE installed on the DSSI bus with the proper bus node ID that has already been programmed. Another way to get a valid address is to use the service switch (Switch 1

ON = SERVICE mode) on the KFQSA. Table H-1 shows the addresses available. It is easier to do if the switches are set as shown for the range of addresses from 0774420 to 0774434 in the upper portion of the table.

Table H-1 Preferred KFQSA Switch Settings

Switch 1	Switch 2	Switch 3	Switch 4	CSR Address (Octal)
On	Off	On	On	0774420 (fixed)
On	Off	On	Off	0774424 (fixed)
On	Off	Off	On	0774430 (fixed)
On	Off	Off	Off	0774434 (fixed)

(continued on next page)

Programming the KFQSA Adapter

Table H-1 (Cont.) Preferred KFQSA Switch Settings

Switch 1	Switch 2	Switch 3	Switch 4	CSR Address (Octal)
Available Fixed and Floating Addresses				
On	Off	On	On	0760444 (secondary TMSCP)
On	On	On	Off	0774500 (primary TMSCP)
On	On	Off	On	0760334 (secondary MSCP)
On	On	Off	Off	0772150 (primary MSCP)

The address that the CSR needs to have must be determined before programming the configuration table. To determine this address, the system configuration as a whole needs to be looked at, since some devices are assigned floating addresses, while others use the fixed addresses. Floating addresses vary with each type of module and the number of modules installed in the system. Because of this, any time a module is installed or removed from the system, the CSR addresses need to be checked.

To find recommended CSR address values, use the CONFIGURE Utility at the console prompt (>>>) as described in Section 3.8.2.

Note

The configure command does not look at any of the devices actually in the system. This means that one console can be used to determine the addresses for different systems. All of the devices in the system must be listed in this utility, in case any of the devices present affect the address that is being calculated.

In the following example, the system has a TK70, three RF73s connected to a KFQSA, and a DESQA. The utility responds with the CSR address/vector assignments for all entered devices.

Programming the KFQSA Adapter

>>>CONFIGURE

Enter device configuration, HELP, or EXIT
Device, Number? help

Devices:

LPV11	KXJ11	DLV11J	DZQ11	DZV11	DFA01
RLV12	TSV05	RXV21	DRV11W	DRV11B	DPV11
DMV11	DELQA	DEQNA	DESQA	RQDX3	KDA50
RRD50	RQC25	KFQSA-DISK	TQK50	TQK70	TU81E
RV20	KFQSA-TAPE	KMV11	IEQ11	DHQ11	DHV11
CXA16	CXB16	CXY08	VCB01	QVSS	LVN11
LVN21	QPSS	DSV11	ADV11C	AAV11C	AXV11C
KWV11C	ADV11D	AAV11D	VCB02	QDSS	DRV11J
DRQ3B	VSV21	IBQ01	IDV11A	IDV11B	IDV11C
IDV11D	IAV11A	IAV11B	MIRA	ADQ32	DTC04
DESNA	IGQ11	DIV32	KIV32	DTCN5	DTC05
KWV32	KZQSA	M7577	LVN24	M7576	DEQRA

Device, Number?

Numbers:

1 to 255, default is 1

Device, Number? **TQK70**

Device, Number? **KFQSA-DISK, 3**

Device, Number? **DESQA**

Device, Number? **EXIT**

Address/Vector Assignments

-774440/120 DESQA

-772150/154 KFQSA-DISK

-760334/300 KFQSA-DISK

-760340/304 KFQSA-DISK

-774500/260 TQK70

>>>

After the proper addresses have been determined, the CSR addresses need to be programmed. To do so, enter the following command at the console prompt (>>>):

SET HOST/UQSSP/MAINTENANCE/SERVICE n

Where:

The /service n parameter specifies the controller number of a KFQSA in SERVICE mode (in the case of multiple KFQSAs), and n is a number in the range 0 to 3 (from Table H-1):

- 0 is for address 0774420
- 1 is for address 0774424
- 2 is for address 0774430
- 3 is for address 0774434

Programming the KFQSA Adapter

Entering the SET/HOST/UQSSP/MAINTENANCE/SERVICE n command displays the current contents of the KFQSA configuration table. For example, suppose the first address is selected and the configuration table is currently blank:

```
>>> SET HOST/UQSSP/MAINTENANCE/SERVICE 0
UQSSP Controller (774420)
Enter SET, CLEAR, SHOW, HELP, EXIT, or QUIT
Node   CSR Address   Model
7      ----- KFQSA -----
?
Type HELP for a quick reference of the available commands.
? help
Commands:
  SET <node> \KFQSA           set KFQSA DSSI node number
  SET <node> <CSR_ADDRESS><MODEL> enable a DSSI device
  CLEAR <node>                disable a DSSI device
  SHOW                        show current configuration
  HELP                        print this text
  EXIT                        program the KFQSA
  QUIT                        don't program the KFQSA
Parameters:
  <node>                       0 to 7
  <CSR_ADDRESS>                760010 to 777774
  <MODEL>                       21 (disk) or 22 (tape)
?
```

To add the three RF-series ISEs from the previous example, enter the following:

```
? SET 0 772150 21
? SET 1 760334 21
? SET 2 760340 21
?
```

Note

Be sure to enter the addresses in the same order they were listed by the configure utility.

Programming the KFQSA Adapter

Enter the SHOW command to display what has just been entered:

```
? SHOW
Node   CSR Address   Model
0      772150        21
1      760334        21
2      760340        21
7      ----- KFQSA -----
?
```

To delete an entry from the table, use the CLEAR command. For example, to delete the entry for node 2, enter CLEAR 2 at the prompt.

When finished, enter the EXIT command to write the entries to the configuration table.

```
? EXIT
programming the KFQSA ...
>>>
```

After programming the configuration table, check that the bus node ID plugs on the drive front panels correspond to the numbers that have been programmed into the KFQSA. Set the KFQSA to NORMAL mode by setting switch 1 to off (switches 2-4 have no effect when switch 1 is set to off).

Enter SHOW QBUS to verify that the configuration is as desired. You may need to program DSSI parameters for the ISEs. Refer to Section 3.8.3.1 for instructions on setting DSSI parameters.

Error Messages

The error messages issued by the KA681/KA691/KA692/KA694 firmware fall into three categories: halt code messages, VMB error messages, and console messages.

I.1 Machine Check Register Dump

Some error conditions, such as machine check, generate an error summary register dump preceding the error message. For example, examining a nonexistent memory location results in the following display.

```
>>>ex /p/l 7ffff0          ! Examine non-existent memory.
MESR=801FF000    MEAR=11FFFFFF9    MMCD SR=01111000    MOAMR=00000000
CESR=00000000    CMCD SR=0000C108    CSEAR1=00000000    CSEAR2=00000000
CIOEAR1=010FC000 CIOEAR2=000002C0    CNEAR=00000000    ICSR=00000001
PCSTS=FFFFFF800 PCADR=FFFFFFF8    TBSTS=C00000E0    TBADR=00000000
NESTS=00000000    NEOADR=E014066C    NEOCMD=8000F005    NEICMD=00000000
NEDATHI=00000000 NEDATLO=00000000    CEFSTS=0000022A    CEFADR=07FFFFFF0
BCETSTS=00000000 BCETIDX=00000000    BCETAG=00000000    BCEDSTS=00000700
BCEDIDX=00000008 BCEDECC=00000000    CBTCR=00004000    DSER=00000000
QBEAR=0000000F    DEAR=00000000    IPCR0=0000        ECR=000000CA
?7D MACHINE CHECK 80060000 00000000 20047ECC 20047EBD 20047EB9 B0110080
>>>
```

I.2 Halt Code Messages

Except on power-up, which is not treated as an error condition, the following halt messages are issued by the firmware whenever the processor halts (Table I-1).

For example, if the processor encounters a HALT instruction while in kernel mode, the processor halts and the firmware displays the following before entering console I/O mode.

Error Messages

I.2 Halt Code Messages

```
?06 HLT INST
PC = 800050D3
```

The number preceding the halt message is the "halt code." This number is obtained from SAVPSL<13:8>(RESTART_CODE), IPR 43, which is saved on any processor restart operation.

Table I-1 HALT Messages

Code	Message	Description
?02	EXT HLT	External halt, caused by either console BREAK condition, Q22-bus BHALT_L, or DBR<AUX_HLT> bit was set while enabled.
_03	—	Power-up, no halt message is displayed. However, the presence of the firmware banner and diagnostic countdown indicates this halt reason.
?04	ISP ERR	In attempting to push state onto the interrupt stack during an interrupt or exception, the processor discovered that the interrupt stack was mapped NO ACCESS or NOT VALID.
?05	DBL ERR	The processor attempted to report a machine check to the operating system, and a second machine check occurred.
?06	HLT INST	The processor executed a HALT instruction in kernel mode.
?07	SCB ERR3	The SCB vector had bits <1:0> equal to 3.
?08	SCB ERR2	The SCB vector had bits <1:0> equal to 2.
?0A	CHM FR ISTK	A change mode instruction was executed when PSL<IS> was set.
?0B	CHM TO ISTK	The SCB vector for a change mode had bit <0> set.
?0C	SCB RD ERR	A hard memory error occurred while the processor was trying to read an exception or interrupt vector.
?10	MCHK AV	An access violation or an invalid translation occurred during machine check exception processing.
?11	KSP AV	An access violation or translation not valid occurred during processing of a kernel stack not valid exception.
?12	DBL ERR2	Double machine check error. A machine check occurred while trying to service a machine check.
?13	DBL ERR3	Double machine check error. A machine check occurred while trying to service a kernel stack not valid exception.

(continued on next page)

Error Messages I.2 Halt Code Messages

Table I-1 (Cont.) HALT Messages

Code	Message	Description
?19	PSL EXC5 ¹	PSL<26:24> = 5 on interrupt or exception.
?1A	PSL EXC6 ¹	PSL<26:24> = 6 on interrupt or exception.
?1B	PSL EXC7 ¹	PSL<26:24> = 7 on interrupt or exception.
?1D	PSL REI5 ¹	PSL<26:24> = 5 on an REI instruction.
?1E	PSL REI6 ¹	PSL<26:24> = 6 on an REI instruction.
?1F	PSL REI7 ¹	PSL<26:24> = 7 on an REI instruction.
?3F	MICROVERIFY FAILURE	Microcode power-up self-test failed.

¹For the last six cases, the VAX architecture does not allow execution on the interrupt stack while in a mode other than kernel. In the first three cases, an interrupt is attempting to run on the interrupt stack while not in kernel mode. In the last three cases, an REI instruction is attempting to return to a mode other than kernel and still run on the interrupt stack.

I.3 VMB Error Messages

VMB issues the errors listed in Table I-2.

Table I-2 VMB Error Messages

Code	Message	Description
?40	NOSUCHDEV	No bootable devices found.
?41	DEVASSIGN	Device is not present.
?42	NOSUCHFILE	Program image not found.
?43	FILESTRUCT	Invalid boot device file structure.
?44	BADCHKSUM	Bad checksum on header file.
?45	BADFILEHDR	Bad file header.
?46	BADIRECTORY	Bad directory file.
?47	FILNOTCNTG	Invalid program image format.
?48	ENDOFFILE	Premature end of file encountered.
?49	BADFILENAME	Bad file name given.
?4A	BUFFEROVF	Program image does not fit in available memory.

(continued on next page)

Error Messages

I.3 VMB Error Messages

Table I–2 (Cont.) VMB Error Messages

Code	Message	Description
?4B	CTRLERR	Boot device I/O error.
?4C	DEVINACT	Failed to initialize boot device.
?4D	DEVOFFLINE	Device is offline.
?4E	MEMERR	Memory initialization error.
?4F	SCBINT	Unexpected SCB exception or machine check.
?50	SCB2NDINT	Unexpected exception after starting program image.
?51	NOROM	No valid ROM image found.
?52	NOSUCHNODE	No response from load server.
?53	INSFMAPREG	The Q22–bus map initialization failed.
?54	RETRY	No devices bootable, retrying.
?55	IVDEVNAM	Invalid device name.
?56	DRVERR	Drive error.

I.4 Console Error Messages

The error messages listed in Table I–3 are issued in response to a console command that has error(s).

Table I–3 Console Error Messages

Code	Message	Description
?61	CORRUPTION	The console program database has been corrupted.
?62	ILLEGAL REFERENCE	Illegal reference. The requested reference would violate virtual memory protection, the address is not mapped, the reference is invalid in the specified address space, or the value is invalid in the specified destination.
?63	ILLEGAL COMMAND	The command string cannot be parsed.
?64	INVALID DIGIT	A number has an invalid digit.
?65	LINE TOO LONG	The command was too large for the console to buffer. The message is issued only after receipt of the terminating carriage return.

(continued on next page)

Error Messages I.4 Console Error Messages

Table I-3 (Cont.) Console Error Messages

Code	Message	Description
?66	ILLEGAL ADDRESS	The address specified falls outside the limits of the address space.
?67	VALUE TOO LARGE	The value specified does not fit in the destination.
?68	QUALIFIER CONFLICT	Qualifier conflict, for example, two different data sizes are specified for an EXAMINE command.
?69	UNKNOWN QUALIFIER	The switch is unrecognized.
?6A	UNKNOWN SYMBOL	The symbolic address in an EXAMINE or DEPOSIT command is unrecognized.
?6B	CHECKSUM	The command or data checksum of an X command is incorrect. If the data checksum is incorrect, this message is issued, and is not abbreviated to "Illegal command".
?6C	HALTED	The operator entered a HALT command.
?6D	FIND ERROR	A FIND command failed either to find the RPB or 128 KB of good memory.
?6E	TIME OUT	During an X command, data failed to arrive in the time expected (60 seconds).
?6F	MEMORY ERROR	A machine check occurred with a code indicating a read or write memory error.
?70	UNIMPLEMENTED	Unimplemented function.
?71	NO VALUE QUALIFIER	Qualifier does not take a value.
?72	AMBIGUOUS QUALIFIER	There were not enough unique characters to determine the qualifier.
?73	VALUE QUALIFIER	Qualifier requires a value.
?74	TOO MANY QUALIFIERS	Too many qualifiers supplied for this command.
?75	TOO MANY ARGUMENTS	Too many arguments supplied for this command.
?76	AMBIGUOUS COMMAND	There were not enough unique characters to determine the command.
?77	TOO FEW ARGUMENTS	Insufficient arguments supplied for this command.
?78	TYPEAHEAD OVERFLOW	The typeahead buffer overflowed.
?79	FRAMING ERROR	A framing error was detected on the console serial line.
?7A	OVERRUN ERROR	An overrun error was detected on the console serial line.
?7B	SOFT ERROR	A soft error occurred.

(continued on next page)

Error Messages

I.4 Console Error Messages

Table I-3 (Cont.) Console Error Messages

Code	Message	Description
?7C	HARD ERROR	A hard error occurred.
?7D	MACHINE CHECK	A machine check occurred.

J

Related Documents

The following documents contain information relating to the maintenance of systems that use the KA681/KA691/KA692/KA694 CPU module.

Title	Part Number¹
Guide to Entry Systems Service Information Kits	EK-K276#-MI
KA680 CPU Technical Manual	EK-KA680-TM
Addendum to KA680 CPU Module Technical Manual	EK-KA680-UP
VAX 4000 Site Preparation	EK-387AF-SP
VAX 4000 BA42-Based Systems CPU Conversion Guide	EK-VVKSU-CG
BA430/BA440 Enclosure Maintenance	EK-348A#-MG
BA400-Series Enclosures Storage Devices Installation Procedures	EK-BA44A-IN
DSSI Warm Swapping Guide for BA400-Series Enclosures and KFQSA Adapters	EK-457AA-SG
DSSI VAXcluster Installation and Troubleshooting	EK-410A#-MG
MicroSystems Options	EK-192A#-MG
MicroVAX Diagnostic Monitor User's Guide	AA-FM7A#-DN
KFQSA Storage Adapter Installation and User Manual	EK-KFQSA-IN
RF-Series Integrated Storage Element User Guide	EK-RF72D-UG
RF-Series Integrated Storage Element Service Guide	EK-RF72D-SV

¹# = current revision, which is always shipped.

Glossary

BFLAG	Boot FLAG is the longword supplied in the SET BFLAG and BOOT /R5: commands that qualify the bootstrap operation. SHOW BFLAG displays the current value.
BHALT	Q22-bus Halt signal is usually tied to the front panel Halt switch.
BIP	Boot In Progress flag in CPMBX<2>
Bugcheck	Software or hardware error fatal to VMS processor or system.
Cache memory	A small, high-speed memory placed between slower main memory and the processor. A cache increases effective memory transfer rates and processor speed.
CPMBX	Console Program Mailbox is used to pass information between operating systems and the firmware.
CSR	Control and status register. A device or controller register that resides in the processor's I/O space. The CSR initiates device activity and records its status.
CQBIC	CVAX to Q22-bus interface chip
DCOK	Q22-bus signal indicating dc power is stable. This signal is tied to the Restart switch on the System Control Panel.
DE	Diagnostic Executive is a component of the ROM-based diagnostics responsible for setup, execution, and cleanup of component diagnostic tests.
DNA	Digital Network Architecture
DMA	Direct Memory Access. Access to the memory by an I/O device that does not require processor intervention.
EPROM	Erasable Programmable Read-Only Memory is used on some products to store firmware. Commonly used synonyms are PROM or ROM. Erasable by using ultraviolet light.

ECC	Error Correction Code. Code that carries out automatic error correction by performing an exclusive operation on the transferred data and applying a correction mask.
Factory Installed Software (FIS)	Operating system software that is loaded into a system disk during manufacture. On site, the FIS is bootstrapped in the system, prompting a predefined menu of questions on the final configuration.
FEPR0M	Flash Erasable Programmable Read-Only Memory (FEPR0M) is used on four chips on the KA675/KA680/KA690 module. FEPR0Ms use electrical (bulk) erasure rather than ultraviolet erasure.
Firmware	Firmware in this document refers to VAX instruction code residing at physical address 20040000 on the KA675/KA680 /KA690 CPU. Functionally it consists of diagnostics, bootstraps, console, and halt entry/exit code.
FRU	Field-Replaceable Unit. Any system component that the field engineer is able to replace onsite.
GPR	General Purpose Registers on the KA675/KA680/KA690 are the sixteen standard VAX longword registers R0 through R15. The last four registers, R12 through R15, are also known by their unique mnemonics AP (Argument Pointer), FP (Frame Pointer), SP (Stack Pointer), and PC (Program Counter), respectively.
Initialization	The sequence of steps that prepare the system to start. Initialization occurs after a system has been powered up.
IPL	Interrupt Priority Level ranges from 0 to 31 (0 to 1F hex).
IPR	Internal Processor Registers on the KA65/KA680/KA690 are those implemented by the processor chip set. These longword registers are only accessible with the instructions MTPR (Move To Processor Register) and MFPR (Move From Processor Register) and require kernel mode privileges. This document uses the prefix "PR\$_" when referencing these registers.
ISE	Integrated storage element. An intelligent disk drive used on the Digital Storage Systems Interconnect.
KA675/KA680 /KA690	NVAX based Q22-bus CPU processor module with onboard cache, two DSSI ports, and Ethernet adapter.
LED	Light Emitting Diode
Machine check	An operating system action triggered by certain system errors that can be fatal to system operation. Once triggered, machine check handler software analyzes the error, comparing it to predetermined failure scenarios. Three outcomes are possible: the system continues to run, the software program is halted, or the system crashes.

MOP	Maintenance Operations Protocol specifies message protocol for network loopback assistance, network bootstrap, and remote console functions.
MSCP	Mass Storage Control Protocol is used in Digital disks and tapes.
ms	Millisecond (10e-3 seconds)
NVRAM	Nonvolatile RAM, on the KA675/KA680/KA690. This is 1 Kb of battery backed-up RAM on the SSC.
PC	Program Counter or R15
PCB	Process Control Block is a data structure pointed to by the PR\$_PCBB register and contains the current process' hardware context.
PFN	Page Frame Number is an index of a page (512 bytes) of local memory. A PFN is derived from the bit field <23:09> of a physical address.
PR\$_ICCS	Interval Clock Control and Status, IPR 24
PR\$_IPL	Interrupt Priority Level, IPR 18
PR\$_MAPEN	Memory Management Mapping Enable, IPR 56
PR\$_PCBB	Process Control Block Base register, IPR 16
PR\$_RXCS	R(X)eceive Console Status, IPR 32
PR\$_RXDB	R(X)eceive Data Buffer, IPR 33
PR\$_SAVISP	SAVed Interrupt Stack Pointer, IPR 41
PR\$_SAVPC	SAVed Program Counter, IPR 42
PR\$_SAVPSL	SAVed Program Status Longword, IPR 43
PR\$_SCBB	System Control Block Base register, IPR 17
PR\$_SISR	Software Interrupt Summary Register, IPR 21
PR\$_TODR	Time Of Day Register, IPR 27, is commonly referred to as the Time Of Year register or TOY clock.
PR\$_TXCS	T(X)ransmit Console Status, IPR 34
PR\$_TXDB	T(X)ransmit Data Buffer, IPR 35
PSL, PSW	Processor Status Longword is the VAX extension of the PSW (Processor Status Word). The PSW (lower word) contains instruction condition codes and is accessible by nonprivileged users; however, the upper word contains system status information and is accessible by privileged users.
QBMBR	Q22-bus Map Base Register found in the CQBIC determines the base address in local memory for the scatter/gather registers.
QDSS	Q22-bus video controller for workstations

QMR	Q22-bus Map Register
QNA	Q22-bus Ethernet controller module
RAM	Random Access Memory
RIP	Restart In Progress flag in CPMBX<3>
RPB	Restart Parameter Block is a software data structure used as a communication mechanism between firmware and the operating system. Information in this block is used by the firmware to attempt an operating system (warm) restart.
SCB	System Control Block is a data structure pointed to by PR\$_SCBB. It contains a list of longword exception and interrupt vectors.
SGEC	Second Generation Ethernet Chip
SDD	Symptom-Directed Diagnosis. Online analysis of nonfatal system errors in order to locate potential system fatal errors before they occur.
SHAC	Single Host Adapter Chip
SP	Stack Pointer or R14
SRM	Standard Reference Manual, as in <i>VAX SRM</i>
SSC	System Support Chip
μs	Microsecond (10e-6 seconds)
VAXcluster configuration	A highly integrated organization of VMS systems that communicate over a high-speed communications path. VAXcluster configurations have all the functions of single-node systems, plus the ability to share CPU resources, queues, and disk storage. Like a single-node system, the VAXcluster configuration provides a single security and management environment. Member nodes can share the same operating environment or serve specialized needs.
VMB	Virtual Memory Boot is the portion of the firmware dedicated to booting the operating system.

Index

A

Acceptance testing, 4–15 to 4–20
Algorithm
 to find a valid RPB, 4–40
 to restart operating system, 4–39
ALLCLASS, 3–29
 setting, 3–39
ANALYZE/ERROR, 5–15
 interpreting CPU errors using, 5–16
 interpreting DMA to host transaction
 faults using, 5–30
 interpreting memory errors using, 5–19
 interpreting system bus faults using,
 5–28
ANALYZE/SYSTEM, 5–22

B

Backplane
 description, 2–19
Binary load and unload (X command), A–39
Bits
 RPB\$V_DIAG, 4–32
 RPB\$V_SOLICT, 4–32
Boot
 flags, 3–53
 supported devices, 3–52, H–1
Boot Block Format, 4–30
BOOT command, A–13
Boot Flags
 RPB\$V_BBLOCK, 4–30

Bootstrap

 conditions, 4–23
 definition of, 4–23
 disk and tape, 4–30
 failure, 4–24
 initialization, 4–24
 memory layout, 4–25
 memory layout after successful bootstrap,
 4–28
 network, 4–32
 preparing for, 4–24
 primary, 4–26
 PROM, 4–31
 secondary, 4–26
 control passed to, 4–28
Break Enable/Disable switch, 2–12

C

9C utility, 4–16, 5–61
Comment command (!), A–41
! (comment command), A–41
Configuration, 3–1
 and module order, 3–1
CONFIGURE, 3–26
CONFIGURE command, 3–27, A–15
Console commands
 address space control qualifiers, A–9
 address specifiers, A–3
 binary load and unload (X), A–39
 BOOT, A–13
 ! (comment), A–41
 CONFIGURE, A–15
 CONTINUE, A–17
 data control qualifiers, A–9

Console commands (cont'd)

- DEPOSIT, A-17
 - EXAMINE, A-18
 - FIND, A-19
 - HALT, A-20
 - HELP, A-21
 - INITIALIZE, A-22
 - keywords, A-10
 - list of, A-11
 - MOVE, A-23
 - NEXT, A-24
 - qualifier and argument conventions, A-3
 - qualifiers, A-9
 - REPEAT, A-26
 - SEARCH, A-27
 - SET, A-29
 - SHOW, A-34
 - START, A-38
 - symbolic addresses, A-3
 - syntax, A-2
 - TEST, A-38
 - UNJAM, A-39
 - X (binary load and unload), A-39
- Console error messages
- sample of, 5-43
- Console I/O mode
- special characters, A-1
- Console module
- description, 2-9 to 2-15
 - fuses, 2-14
- Console port, testing, 5-72
- CONTINUE command, A-17
- CPU
- features, 2-2 to 2-6
 - location, 3-1

D

- Daughter board
 - DSSI, 2-7
- DC OK Indicator
 - function, 2-17
 - on System Control Panel, 2-17

- DEPOSIT command, A-17
- Device Dependent Bootstrap Procedures, 4-30
- Diagnostic executive, 4-8
 - error field, 5-44
- Diagnostic tests
 - list of, 4-11
 - parameters for, 4-11
- Diagnostics
 - relationship to UETP, 5-68
- Diagnostics, DSSI storage devices, 5-62
- Diagnostics, EF/RF-series, 4-8
- DNA Maintenance Operations Protocol (MOP), 4-32
- Documents
 - related, J-1
- DSSI
 - assignment, 3-8
- DSSI daughter board, 2-7
 - description, 2-7
 - features, 2-7 to 2-9
- DSSI parameters, 3-29
- DSSI storage device
 - errors, 5-63
 - testing, 5-62
- DSSI storage device local programs
 - list of, 5-63
- DSSI VAXcluster
 - capability, 3-17
 - configuration rules, 3-19
 - examples of, 3-21
- DUP driver utility, 3-29, 3-33
 - entering from console mode, 3-36
 - entering from the OpenVMS operating system, 3-38
 - exiting, 3-43

E

- EF/RF-series ISE
 - diagnostics, 4-8
- Entry Point
 - definition of, C-1

Error during UETP, 5-70
 diagnosing, 5-68
Error Log Utility
 relationship to UETP, 5-69
Error messages
 console, sample of, 5-43
EXAMINE command, A-18
Expanders
 control power bus, 3-12
 mass storage, 3-10
 Q-bus, 3-11

F

Fans
 Fan Speed Control Disable (FSC), 2-23
 location, 2-23
FE utility, 5-58
Files-11 lookup, 4-30
FIND command, A-19
Firmware
 commands and utilities, 3-24
 power-up sequence, 4-1
 updating, 6-1
Flags
 restart in progress, 4-39
FORCEUNI, 3-30
Fuses
 for H3604 console module, 5-71
 troubleshooting, 5-71

G

General purpose registers (GPRs)
 in error display, 5-46
 symbolic addresses for, A-3

H

H3103 loopback connector, 5-72
H3604 I/O panel, 5-72
H8572 loopback connector, 5-72
Halt
 dispatch, D-1

HALT
 on bootstrap failure, 4-27
Halt actions
 summary, 3-55
Halt Button
 location, 2-17
HALT command, A-20
Halt protection, override, 5-59
HELP command, A-21

I

INIT, 4-24
Initial power-up test
 See IPR
Initialization
 following a processor halt, 4-39
 prior to bootstrap, 4-24
INITIALIZE command, A-22
IPL_31, 4-25
iSYS\$TEST logical name, 5-69

L

Language selection menu
 conditions for display of, 4-2
 example of, 4-2
 messages, list of, 4-2
Local Memory Partitioning, 4-25
Log file generated by UETP
 OLDUETP.LOG, 5-69
Loopback connectors
 H3103, 5-72
 H8572, 5-72
 list of, 5-76
Loopback tests, 5-71
 console port, 5-72
 DSSI, 5-73
 Ethernet, 5-75
 Q-bus, 5-76

M

- Maintenance strategy, 1-1
 - field feedback, 1-6
 - information services, 1-5
 - service delivery, 1-1
 - service tools and utilities, 1-2
- Mass storage
 - configuration of, 3-8
 - rules for numbering, 3-8
- Memory
 - acceptance testing of, 4-16
 - isolating FRU, 4-17, 5-60
 - modules, 2-6
 - testing, 5-60
- Memory module
 - description, 2-6
 - installing, 3-2
 - order, 2-6
- Module
 - configuration, 3-7
 - order, in backplane, 3-1
 - self-tests, 4-7, 5-76
- MOM\$LOAD, 4-32
- MOP functions, 4-35, 5-65
- MOP program load sequence, 4-32
- MOVE command, A-23

N

- Network listening, 4-33
- NEXT command, A-24
- NODENAME, 3-30
 - setting, 3-42
- NVRAM
 - CPMBX, F-2
 - partitioning, F-1

O

- OLDUETP.LOG file, 5-69
- OpenVMS operating system
 - error handling, 5-5
 - event record translation, 5-15

- Operating System
 - bootstrap, 4-23
 - restarting a halted, 4-39
- Operating System Restart
 - definition of, 4-39
- Options
 - adding to enclosure, 3-13, 3-17
- Over Temperature Warning indicator
 - system, 2-17

P

- Page Frame Number Bitmap, 4-32
- Parameters
 - for diagnostic tests, 4-12
 - in error display, 5-45
- Patchable Control Store
 - Error messages, 6-8
- PFN bitmap, 4-24
- POST
 - See* Power-on self-tests
 - errors handled by, 5-62
- Power supply
 - description, 2-20 to 2-22
 - minimum load, 3-17
- Power-on self-test
 - See* POST
- Power-on self-tests
 - description, 4-4
 - errors handled by, 4-8
 - kernel, 4-4
 - mass storage, 4-8
 - Q-bus, 4-7
- power-up
 - machine state, 4-20
 - memory layout, 4-21
- Power-up mode switch
 - set to language inquiry, 4-2
 - set to run, 4-3
 - set to test, 4-1
- Power-up sequence, 4-1
- Power-up tests, 4-1
- PRA0, 4-31

Primary Bootstrap, 4–26

Q

Q-bus options, recommended order, 3–7

Q22-bus Memory
and VMB, 4–28

R

Registers

initializing the general purpose, 4–25

Q22-bus Map Registers, 4–28

Related documents, J–1

REPEAT command, A–26

REQ_PROGRAM, 4–33

Restart, 4–39

Restart Button

location, 2–18

Restart parameter block (PRB), 3–53

Restart Parameter Block (RPB), D–6

RIP flag, 4–39

RF-series ISE

diagnostics, 5–62

errors, 5–63

list of local programs, 5–63

ROM-based diagnostics, 4–8 to 4–12

and memory testing, 5–60

console displays during, 5–43

isolating failures with, 5–48

list of, 4–9

parameters, 4–11

utilities, 4–9

RPB

initialization, D–6

locating, 4–40

RPB Signature Format, 4–40

S

Scripts, 4–13

list of, 4–13

SEARCH command, A–27

Secondary Bootstrap, 4–26

Self-test, for modules, 4–7, 5–76

SET BOOT *device name* command

use of, 3–51

SET command, A–29

SET HOST/DUP command, A–29

SHOW commands, 3–34, A–34

SICL messages, 5–35

converting appended MEL files, 5–39

Signature Block

PROM, 4–31

START command, A–38

Symbolic addresses, A–3

for any address space, A–8

for GPRs, A–3

System control panel, 2–16 to 2–18

System hang, 5–70

SYSTEMID, 3–30

setting, 3–42

T

Tape ISE

diagnostics, 5–62

errors, 5–63

Tape ISE local programs

list of, 5–63

Termination power, tests for, 5–73

TEST command, A–38

Tests, diagnostic

list of, 4–9

parameters for, 4–12

Troubleshooting

procedures, general, 5–2

suggestions, additional, 5–62

UETP, 5–70

U

UETINIT01.EXE image, 5–70

UETP

interpreting OpenVMS failures with,

5–68

UETP.LOG file, 5-69
Unit number labels, 3-40
UNITNUM, 3-30
 setting, 3-39
UNJAM, 4-24
UNJAM command, A-39
User Environment Test Package (UETP)
 interpreting output of, 5-69
 running multiple passes of, 5-69
 typical failures reported by, 5-70
Utilities, diagnostic, 4-9

V

Valid maps, 4-28
VAXELN
 and VMB, 4-26
VAXsimPLUS, 5-4, 5-32
 customizing, 5-41
 enabling SICL, 5-42
 installing, 5-40
Virtual Memory Boot (VMB), 4-27

 definition of, 4-26
 primary bootstrap, 4-26
 secondary bootstrap, 4-30
VMB
 boot flags, 3-53

W

Warmstart, 4-39
Write-enabling
 a storage element, 3-46
 an EF/RF-series storage element, 3-46
 an RF-series storage element, 3-50
Write-protecting
 a storage element, 3-46
 an EF/RF-series storage element, 3-46
 an RF-series storage element, 3-50

X

X command (binary load and unload), A-39

How to Order Additional Documentation

Technical Support

If you need help deciding which documentation best meets your needs, call 800-DIGITAL (800-344-4825) and press 2 for technical assistance.

Electronic Orders

If you wish to place an order through your account at the Electronic Store, dial 800-234-1998, using a modem set to 2400- or 9600-baud. You must be using a VT terminal or terminal emulator set at 8 bits, no parity. If you need assistance using the Electronic Store, call 800-DIGITAL (800-344-4825) and ask for an Electronic Store specialist.

Telephone and Direct Mail Orders

From	Call	Write
U.S.A.	DECdirect Phone: 800-DIGITAL (800-344-4825) Fax: (603) 884-5597	Digital Equipment Corporation P.O. Box CS2008 Nashua, NH 03061
Puerto Rico	Phone: (809) 781-0505 Fax: (809) 749-8377	Digital Equipment Caribbean, Inc. 3 Digital Plaza, 1st Street Suite 200 Metro Office Park San Juan, Puerto Rico 00920
Canada	Phone: 800-267-6215 Fax: (613) 592-1946	Digital Equipment of Canada Ltd. 100 Herzberg Road Kanata, Ontario, Canada K2K 2A6 Attn: DECdirect Sales
International	—————	Local Digital subsidiary or approved distributor
Internal Orders ¹ (for software documentation)	DTN: 264-3030 (603) 884-3030 Fax: (603) 884-3960	U.S. Software Supply Business Digital Equipment Corporation 10 Cotton Road Nashua, NH 03063-1260
Internal Orders (for hardware documentation)	DTN: 264-3030 (603) 884-3030 Fax: (603) 884-3960	U.S. Software Supply Business Digital Equipment Corporation 10 Cotton Road Nashua, NH 03063-1260

¹Call to request an Internal Software Order Form (EN-01740-07).

Reader's Comments

KA681/KA691/KA692/KA694 CPU
System Maintenance

EK-498AB-MG. B01

Your comments and suggestions help us improve the quality of our publications.

Thank you for your assistance.

I rate this manual's:	Excellent	Good	Fair	Poor
Accuracy (product works as manual says)	<input type="checkbox"/>	<input type="checkbox"/>	<input type="checkbox"/>	<input type="checkbox"/>
Completeness (enough information)	<input type="checkbox"/>	<input type="checkbox"/>	<input type="checkbox"/>	<input type="checkbox"/>
Clarity (easy to understand)	<input type="checkbox"/>	<input type="checkbox"/>	<input type="checkbox"/>	<input type="checkbox"/>
Organization (structure of subject matter)	<input type="checkbox"/>	<input type="checkbox"/>	<input type="checkbox"/>	<input type="checkbox"/>
Figures (useful)	<input type="checkbox"/>	<input type="checkbox"/>	<input type="checkbox"/>	<input type="checkbox"/>
Examples (useful)	<input type="checkbox"/>	<input type="checkbox"/>	<input type="checkbox"/>	<input type="checkbox"/>
Index (ability to find topic)	<input type="checkbox"/>	<input type="checkbox"/>	<input type="checkbox"/>	<input type="checkbox"/>
Page layout (easy to find information)	<input type="checkbox"/>	<input type="checkbox"/>	<input type="checkbox"/>	<input type="checkbox"/>

I would like to see more/less _____

What I like best about this manual is _____

What I like least about this manual is _____

I found the following errors in this manual:

Page	Description
_____	_____
_____	_____
_____	_____

Additional comments or suggestions to improve this manual:

For software manuals, please indicate which version of the software you are using: _____

Name/Title _____ Dept. _____

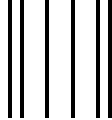
Company _____ Date _____

Mailing Address _____

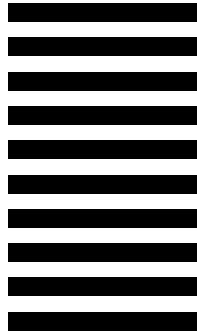
Phone _____

Do Not Tear - Fold Here and Tape

digital™



No Postage
Necessary
If Mailed
in the
United States



BUSINESS REPLY MAIL
FIRST CLASS PERMIT NO. 33 MAYNARD MASS.

POSTAGE WILL BE PAID BY ADDRESSEE

DIGITAL EQUIPMENT CORPORATION
Information Design and Consulting
MRO1-3/K10
200 FOREST STREET
MARLBORO, MA 01752-3011



Do Not Tear - Fold Here