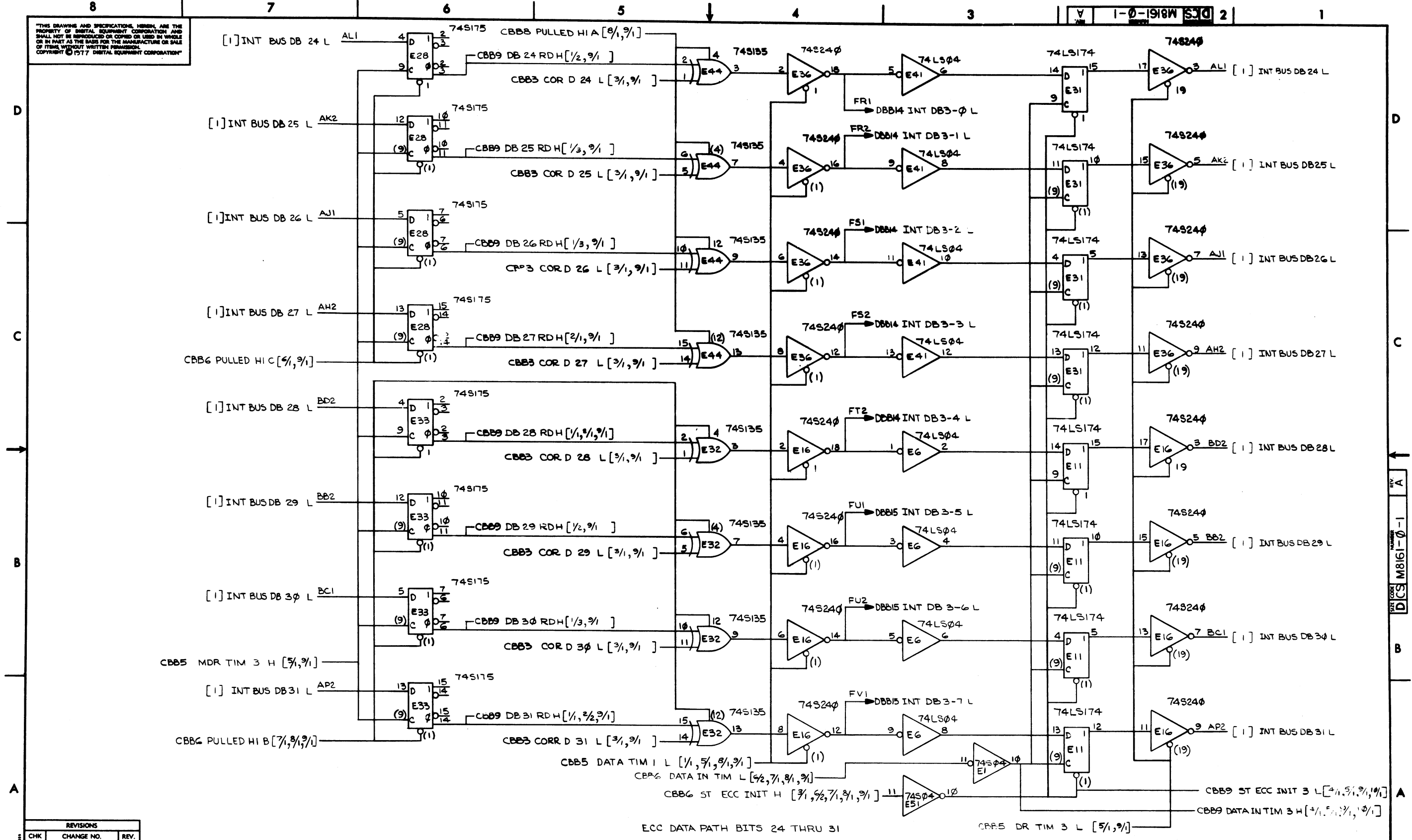


"THIS DRAWING AND SPECIFICATIONS HEREIN ARE THE PROPERTY OF DIGITAL EQUIPMENT CORPORATION AND SHALL NOT BE REPRODUCED OR COPIED OR USED IN WHOLE OR IN PART AS THE BASIS FOR THE MANUFACTURE OR SALE OF ITEMS WITHOUT WRITTEN PERMISSION. COPYRIGHT © 1977 DIGITAL EQUIPMENT CORPORATION"

1-0-1918W SCD 2

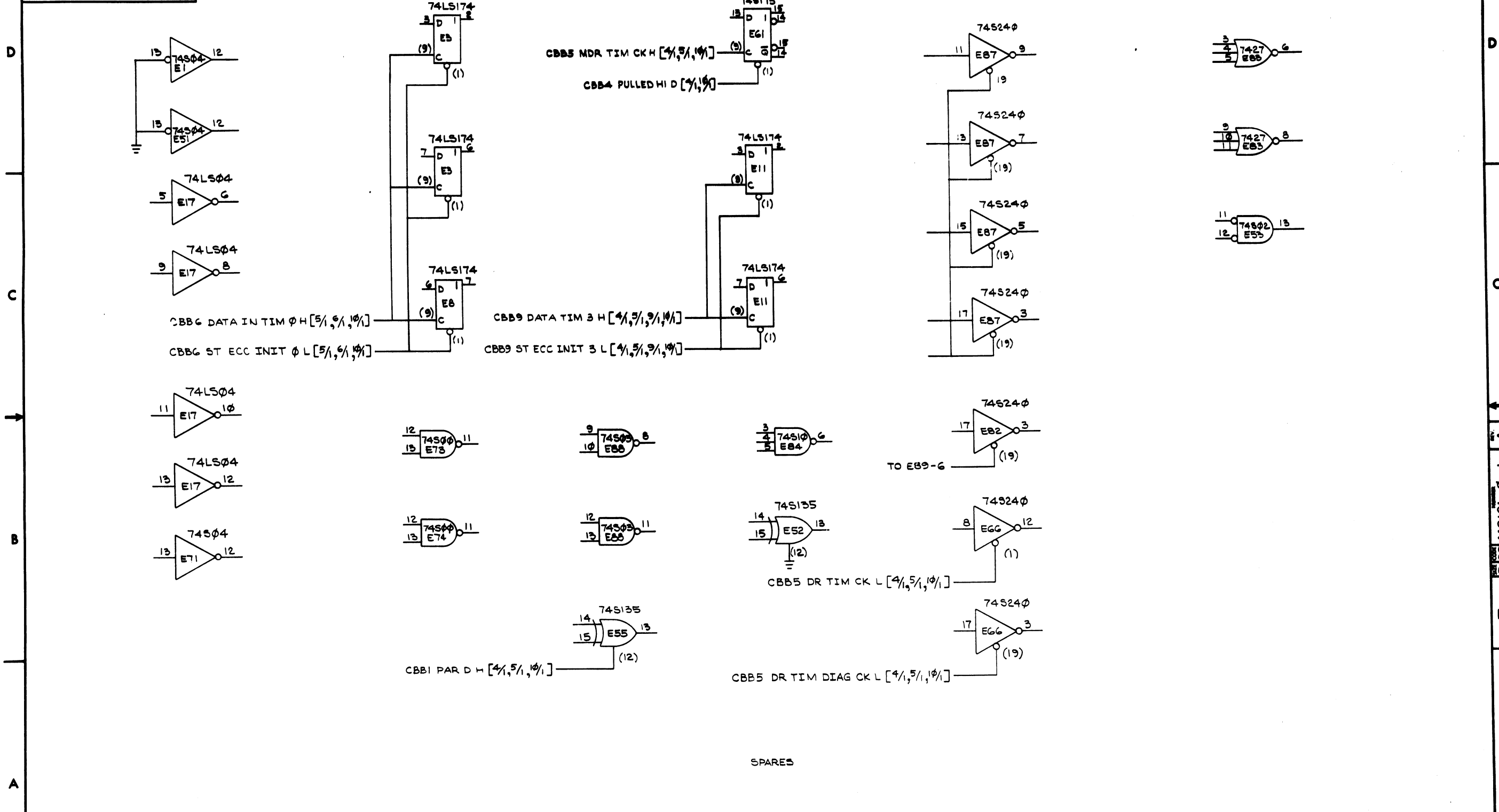


REVISIONS		
CHK	CHANGE NO.	REV.

TITLE	MKII CONTROL B (CBB9)	SIZE CODE	D CS	NUMBER	M8161-0-1	REV.	A
SCALE		SHEET	9 OF 10	DIST.			

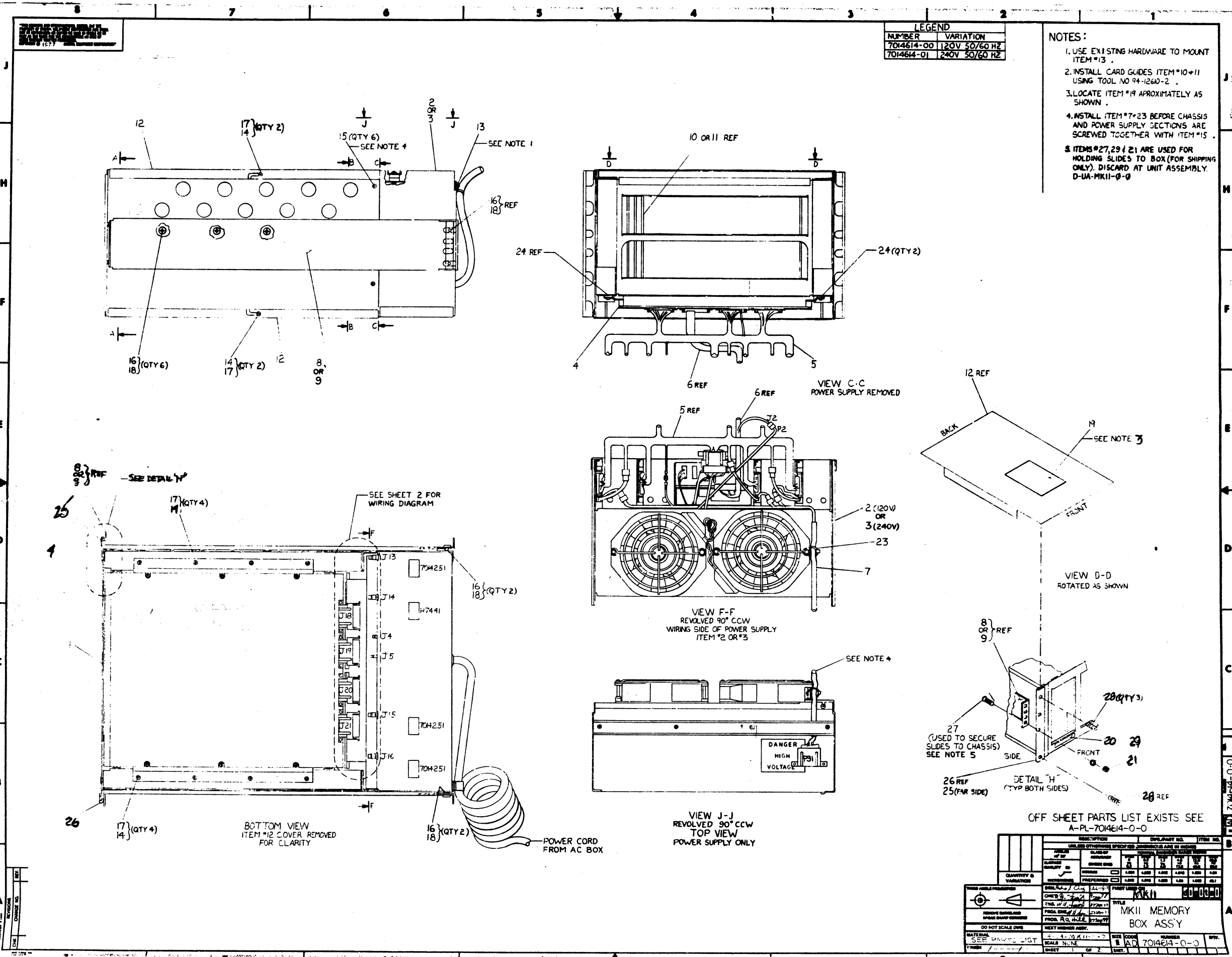
REV. A
D CS M8161-0-1

THIS DRAWING AND SPECIFICATIONS HEREIN ARE THE PROPERTY OF DIGITAL EQUIPMENT CORPORATION AND SHALL NOT BE REPRODUCED OR COPIED OR USED IN WHOLE OR IN PART AS THE BASIS FOR THE MANUFACTURE OR SALE OF ITEMS WITHOUT WRITTEN PERMISSION. COPYRIGHT © 1977 DIGITAL EQUIPMENT CORPORATION



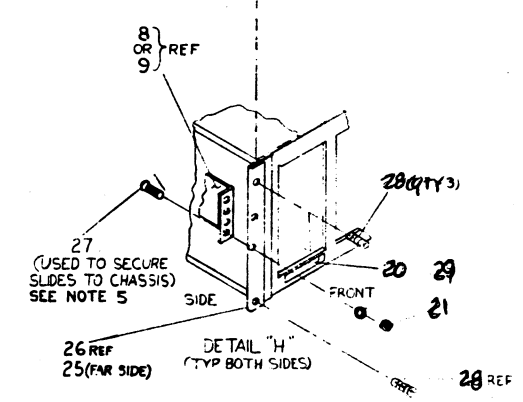
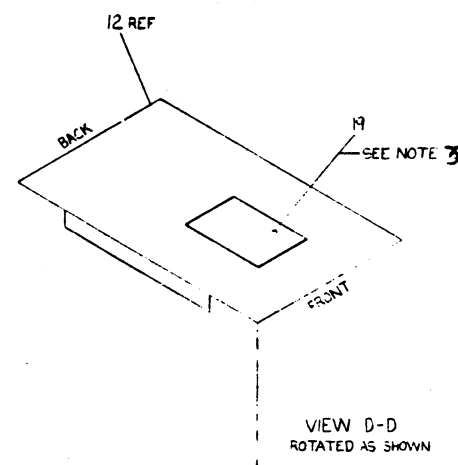
REVISIONS		
CHK	CHANGE NO.	REV.

TITLE	MKI CONTROL B (CBB10)	SIZE CODE	DCS	NUMBER	M8161-0-1	REV.	A
SCALE	SHEET 10 OF 10		DWT.				



LEGEND	
NUMBER	VARIATION
7014614-00	120V 50/60 HZ
7014614-01	240V 50/60 HZ

- NOTES:**
1. USE EXISTING HARDWARE TO MOUNT ITEM #13.
 2. INSTALL CARD GUIDES ITEM #10+11 USING TOOL NO 94-1260-2.
 3. LOCATE ITEM #19 APPROXIMATELY AS SHOWN.
 4. INSTALL ITEM #7+23 BEFORE CHASSIS AND POWER SUPPLY SECTIONS ARE SCREWED TOGETHER WITH ITEM #15.
 5. ITEMS #27, 29 (21) ARE USED FOR HOLDING SLIDES TO BOX (FOR SHIPPING ONLY). DISCARD AT UNIT ASSEMBLY. D-UA-MKII-0-0



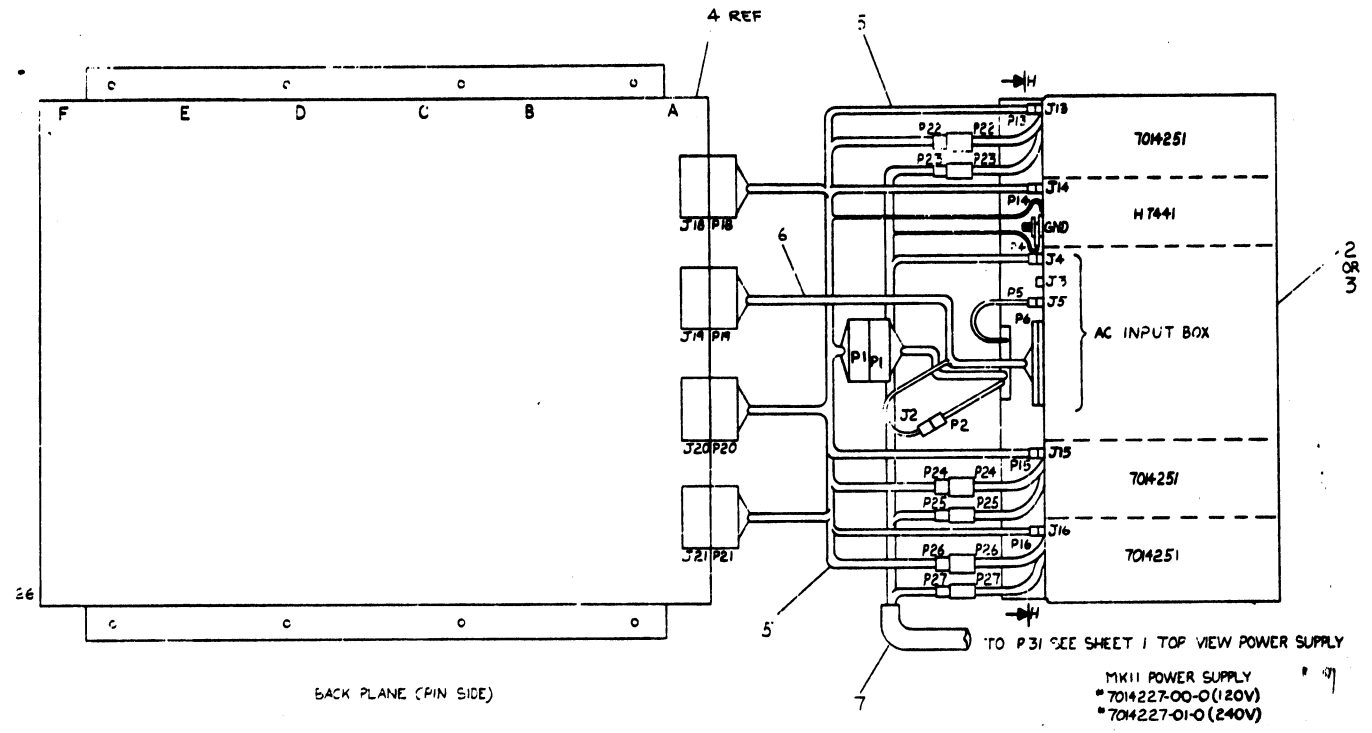
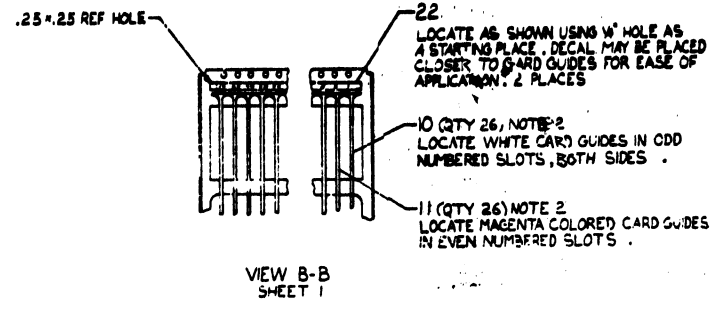
OFF SHEET PARTS LIST EXISTS SEE A-PL-7014614-0-0

QTY	DESCRIPTION	SYMBOL	ITEM NO.
1	BOX ASSEMBLY		7014614-0-0
1	POWER SUPPLY		7014614-0-0
1	CHASSIS		7014614-0-0
1	MEMORY CARDS		7014614-0-0

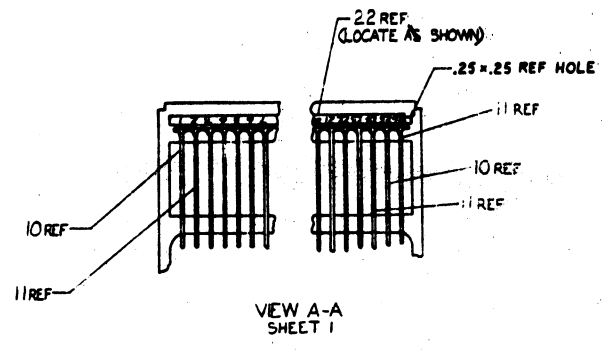
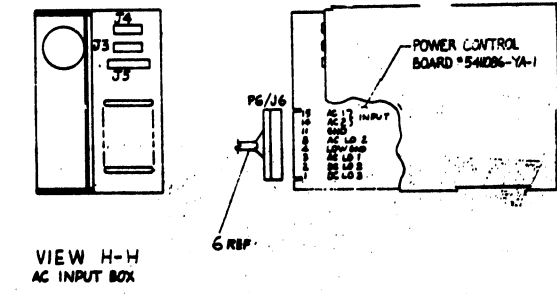
TITLE: MKII MEMORY BOX ASSY
 DRAWN: [Name]
 CHECKED: [Name]
 PROD. ENG. [Name]
 PROD. Q.C. [Name]
 DATE: [Date]
 SHEET 1 OF 2

157
 158
 159
 160
 161
 162
 163
 164
 165
 166
 167
 168
 169
 170
 171
 172
 173
 174
 175
 176
 177
 178
 179
 180
 181
 182
 183
 184
 185
 186
 187
 188
 189
 190
 191
 192
 193
 194
 195
 196
 197
 198
 199
 200

WIRE TABLE			
FROM	TO	REMARKS	
ITEM NO	CONN	ITEM NO	CONN
5	P1	2 OR 3	PS-P1
	P13		PS-J13
	P14		PS-J14
	P15		PS-J15
	P16		PS-J16
	P22		PS-P 22
	P24		PS-P 24
	P26	2 OR 3	PS-P 26
	P18	4	BP-J18
	P20	4	BP-J20
5	P21	4	BP-J21
6	P19	4	BP-J19
6	P6	2 OR 3	J6
6	J2		PS - P2
7	P23		PS - P23
7	P25		PS - P25
7	P27		PS - P27
5	GND LUG		PS - GND
7	GND LUG		PS - GND
7	P31	2 OR 3	TOP - P5



WIRING DIAGRAM
 BACK PLANE TO MKII
 POWER SUPPLY



DIGITAL EQUIPMENT CORPORATION
PARTS LIST

MADE BY Pedro Ortiz DATE 6/24/77	CHECKED D. Walsh DATE 9 SEP 77	SECTION 1
ENG W. H. Angell DATE 27 SEP 77	PROD Ra Hill DATE 27 SEP 77	ISSUED SECTION 1

ITEM NO.	DRAWING NO.	PART NO.	DESCRIPTION	QUANTITY / VARIATION										NOTES:			
				7014614-00	7014614-01												REF DESIGNATION
1	E-IA-7009769-0-0		CHASSIS 10.5"	1	1												
2	E-AD-7014227-0-0		POWER SUPPLY, MK11 120V	1	1												
3	E-AD-7014227-1-0		POWER SUPPLY, MK11 240V	-	1												
4	E-AD-7014226-0-0		BACK PLANE, (MK11 MEMORY)	1	1												
5	D-IA-7014228-0-0		HARNESS, POWER MK11	1	1												
6	D-IA-7010581-0-0		HARNESS, AC/DC LO	1	1												
7	D-IA-7014312-0-0		HARNESS, BOX CONTROLLER, INTERNAL	1	1												
8	D-PS-1211825-1-0		SLIDE, 3 POSITION, TILT	LPR	LPR												
9																	
10	D-PS-1212405-0-0		CARD GUIDE, SINGLE, WHITE	26	26												
11	D-PS-1212405-1		CARD GUIDE, SINGLE, MAGENTA	26	26												
12	D-IA-7009768-0-0		COVER, CHASSIS	2	2												
13		9007086-00	CLAMP, CABLE	1	1												
14		9006022-03	SCR, PHL TRUSS HD #6-32 X .38	12	12												
15		9006073-02	SCR, PHL FLAT HD #10-32 X .50	6	6												
16		9006071-03	SCR, PHL TRUSS HD #10-32 X .38	10	10												
17		9006633-00	WASHER INT. TOOTH LOCK #6	8	8												
18		9007651-00	WASHER EXT. TOOTH LOCK #10	12	12												
19		3614422-00	MK11 MEMORY STICKER	1	1												
20		3612493-00	DECAL, WARNING, (DRAWER)	1	1												
21		9009005-00	NUT, HEX #10-32	2	2												
22		3613281-01	DECAL, (SLOT LOCATION)	2	2												

E.C.O. NO.	
-------------------	--

"THIS DRAWING AND SPECIFICATIONS, HEREIN, ARE THE PROPERTY OF DIGITAL EQUIPMENT CORPORATION AND SHALL NOT BE REPRODUCED OR COPIED OR USED IN WHOLE OR IN PART AS THE BASIS FOR THE MANUFACTURE OR SALE OF ITEMS WITHOUT WRITTEN PERMISSION. COPYRIGHT © 1977 DIGITAL EQUIPMENT CORPORATION"	TITLE MK11 MEMORY BOX ASSY	ASSY NO. E-AD-7014614-0-0	SIZE B	CODE PL	NUMBER 7014614-0-0	REV.
		SHEET 1 OF 2	INSERTION PARTS LIST DATA BASE REV			

DIGITAL EQUIPMENT CORPORATION PARTS LIST

QUANTITY / VARIATION

NOTES:

MADE BY PEDRO ORTIZ	CHECKED	SECTION
DATE 6/24/77	DATE	1
ENG W.H. Angelo	PROD RA Hill	ISSUED SECTION
DATE 27 SEP 77	DATE 27 SEP 77	1

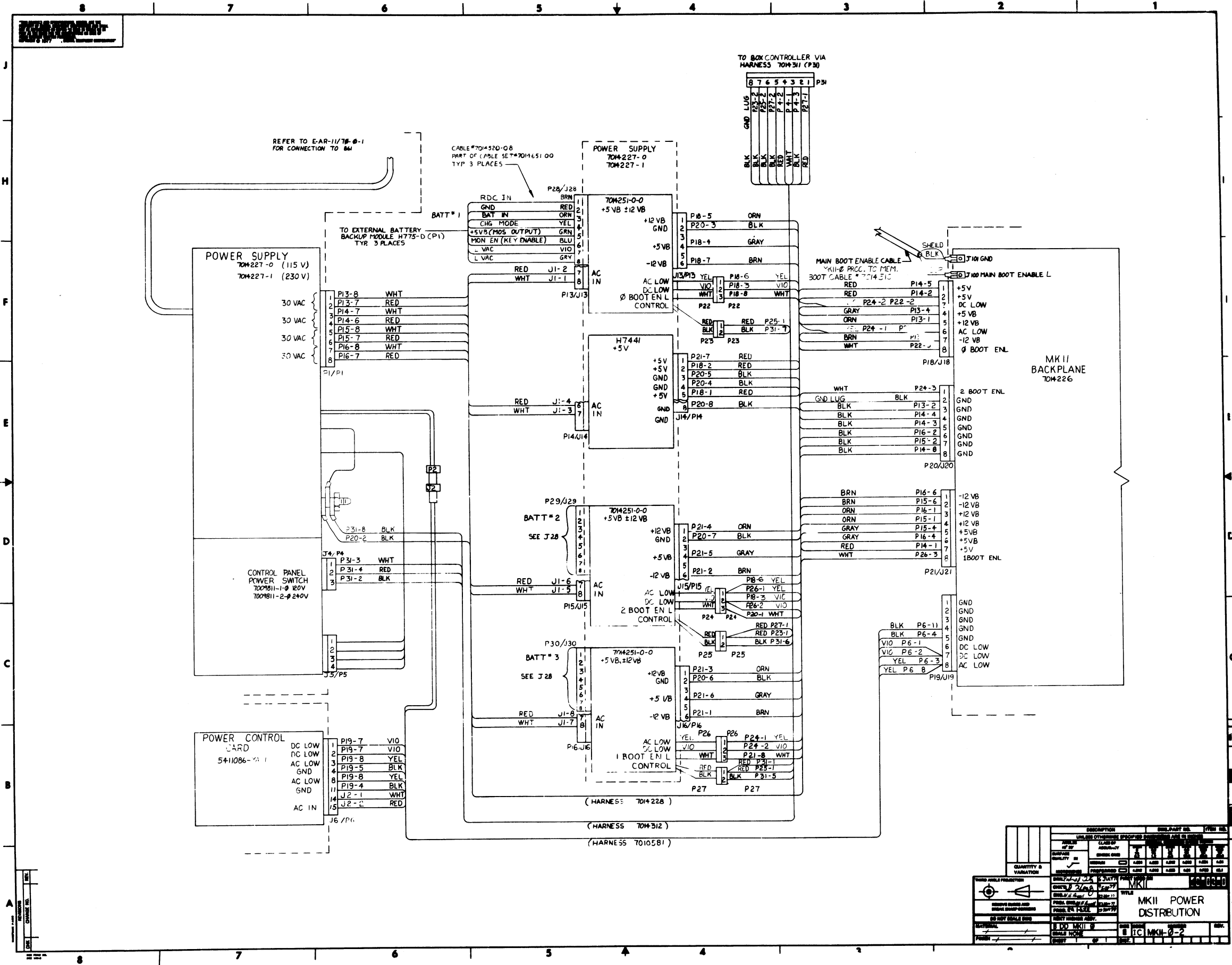
ITEM NO.	DRAWING NO.	PART NO.	DESCRIPTION
23		9007031-0	CABLE TIE
24	C-MD-7413975-0-0		SPACER, SHIM
25	C-MD-7414018-0-0		PROTECTOR, RIGHT METAL EDGE
26	C-MD-7414016-0-0		PROTECTOR, LEFT METAL EDGE
27		9006074-03	SCR, PHL. TRUSS HD. #10- 32 X .62
28		9009715-00	SCR, PHL. TRUSS HD. #10- 32 X .25 LG. BLK OXIDE
29		9006708-00	WASHER, .38 O.D. X .19 I.D. X .03

7014614-CO	7014614-01																		
1	1																		
2	2																		
1	1																		
1	1																		
2	2																		
6	6																		
2	2																		

REF DESIGNATION

E.C.O. NO.

THIS DRAWING AND SPECIFICATIONS, HEREIN, ARE THE PROPERTY OF DIGITAL EQUIPMENT CORPORATION AND SHALL NOT BE REPRODUCED OR COPIED OR USED IN WHOLE OR IN PART AS THE BASIS FOR THE MANUFACTURE OR SALE OF ITEMS WITHOUT WRITTEN PERMISSION. COPYRIGHT © 1977 DIGITAL EQUIPMENT CORPORATION	TITLE MK11 MEMORY BOX ASSY.	ASSY NO. E-AD-7014614-0-0	SIZE B	CODE PL	NUMBER 7014614-0-0	REV 1
EN-01140A-16-R276(325) DRB 125		SHEET 2 OF 2	INSERTION PARTS LIST DATA BASE REV			



REFER TO E-AR-11/76-0-1 FOR CONNECTION TO 861

CABLE #70M4520-Q8 PART OF CABLE SET #70M1651-00 TYP 3 PLACES

TO EXTERNAL BATTERY BACKUP MODULE H775-D (P1) TYR 3 PLACES

TO BOX CONTROLLER VIA HARNESS 70M31 (P30)

MAIN BOOT ENABLE CABLE *MIL-0 PRGC. TO MEM. BOOT CABLE #70M4510

MKII BACKPLANE 70M226

POWER SUPPLY 70M227-0 (115 V) 70M227-1 (230 V)

POWER SUPPLY 70M227-0 70M227-1

70M251-0-0 +5VB ±12VB

H744I +5V

70M251-0-0 +5VB ±12VB

70M251-0-0 +5VB ±12VB

POWER CONTROL CARD 5411086-1

(HARNESS 70M228)

(HARNESS 70M312)

(HARNESS 70M581)

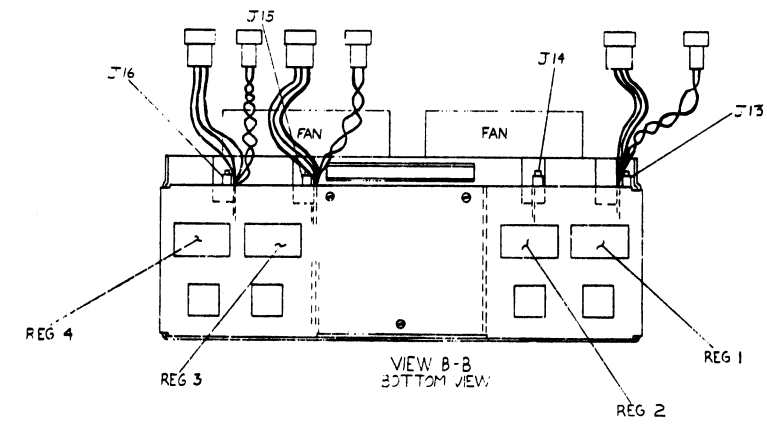
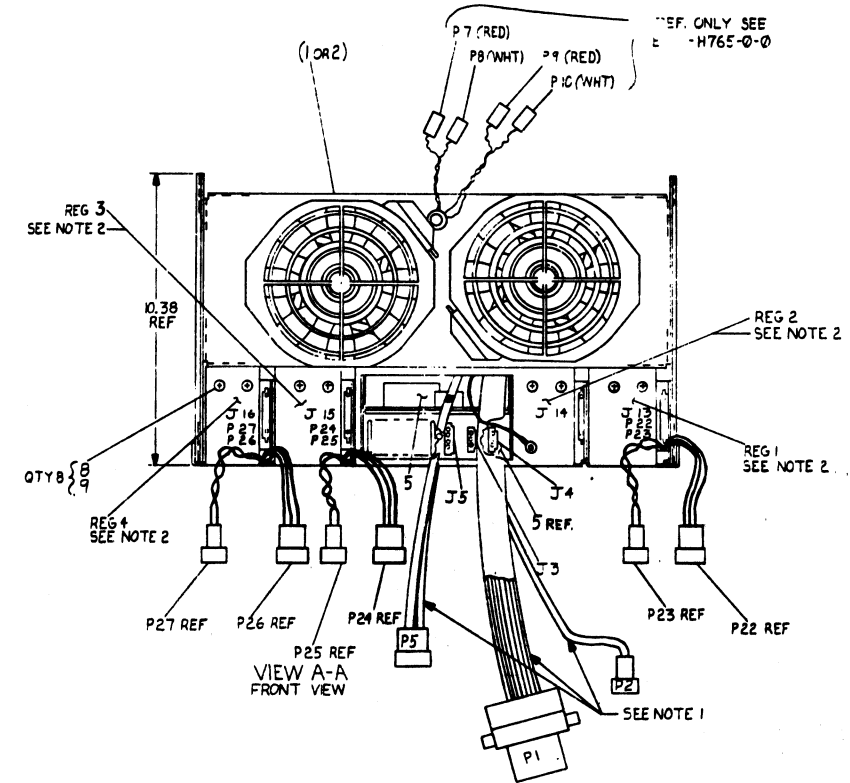
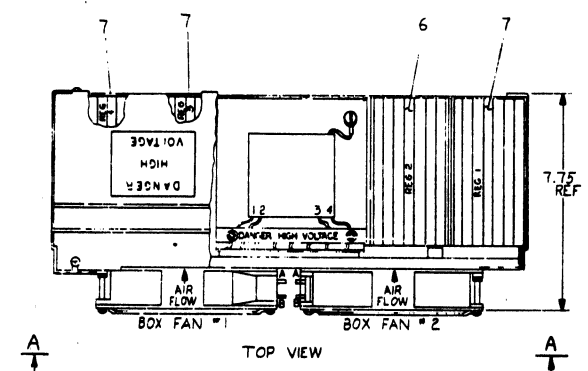
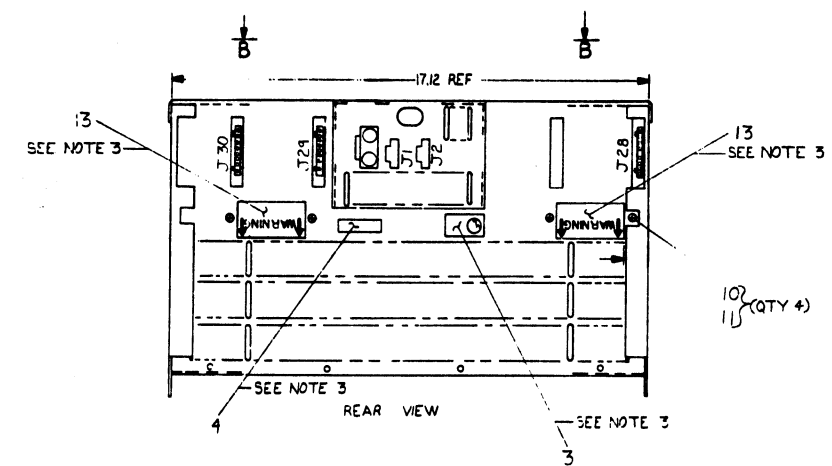
DESCRIPTION	QUANTITY	REVISION
70M227-0	1	1
70M227-1	1	1
70M251-0-0	3	1
H744I	1	1
5411086-1	1	1
70M226	1	1
70M4520-Q8	3	1
70M4510	1	1
70M31	1	1
70M228	1	1
70M312	1	1
70M581	1	1

MKII POWER DISTRIBUTION
 DATE: 08-08-80
 DRAWN: [Signature]
 CHECKED: [Signature]
 APPROVED: [Signature]

704227-00
REV. 1-77

LEGEND	
NUMBER	VARIATION
704227-00	120V 50/60 HZ
704227-01	240V 50/60 HZ

NOTES:
 1-LEADS FROM TRANSFORMER ASSEMBLY.
 2-LABEL CHASSIS ADJACENT TO REGULATOR OR CONNECTORS APPROXIMATELY AS SHOWN USING ITEM #12 #14.
 3-LOCATE LABELS (ITEM #3 #4 #13) APPROXIMATELY AS SHOWN.



1	PACKAGING INSTRUCTION	A-88-57094-0-0	15
1	DECAL (P)	A-88-704872-1-0	14
2	DECAL WARNING	344228-00	13
1	DECAL (T)	A-88-704873-1-0	12
4	WASH, INT TOOTH #6	906635	11
4	SCR, PHL HD, TRUSS 9-32-25	708628-5	10
8	WASH, INT TOOTH #10	906635	9
8	SCR, PHL HD, TRUSS 9-32-25	708628-3	8
3	BATTERY BACKUP REGULATOR AD-704851-0-0		7
1	5V REGULATOR	D-14-H7441-0-0	6
1	POWER LINE MONITOR	D-65-541086-1A-1	5
1	DECAL (N/P)	A-88-530945-0-0	4
1	DECAL (J)	A-88-530944-0-0	3
1	POWER SUPPLY CHASSIS 240VAC	UA-N768-R-0	2
1	POWER SUPPLY CHASSIS 120VAC	UA-N768-P-0	1

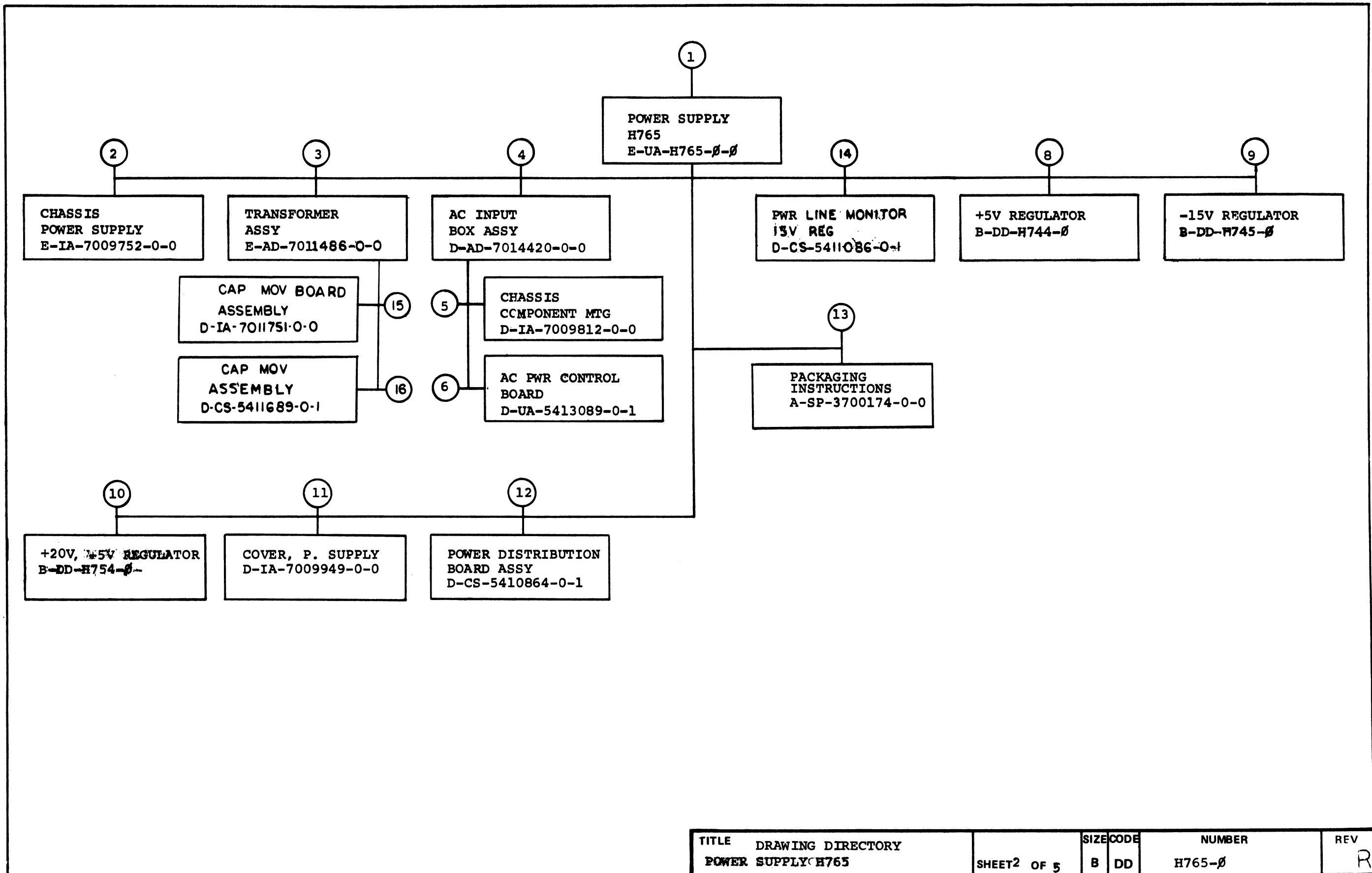
704227-00
120V 50/60 HZ

DATE: 1-77

POWER SUPPLY, MKII

AD-704227-0-0

SEE PARTS LIST



TITLE	DRAWING DIRECTORY	SIZE CODE	NUMBER	REV
POWER SUPPLY H765	SHEET 2 OF 5	B DD	H765-Ø	R

CUSTOMER PRINT SET		ELECTRICAL					CUSTOMER PRINT SET		ELECTRICAL							
1	MFG. SET	FIND NO.	DRAWING NO.	REV	NO OF SHT	DESCRIPTION	OPTION NO./FILE DATE	1	MFG. SET	FIND NO.	DRAWING NO.	REV	NO OF SHT	DESCRIPTION	OPTION NO./FILE DATE	
X		1	E-UA-H765-0-0 A-SP-H765-0-9	T	2	POWER SUPPLY H765 H765 POWER SUPPLY ASSEMBLY PROCEDURE		X		12	D-CS-5410864-0-1 D-IA-5010863-0-0 A-SP-5410864-0-8 A-SP-5410864-0-9	#	3 1	POWER DIST. BD. ASSY ETCHED CIRCUIT BOARD TEST PROCEDURE ASSEMBLY PROCEDURE		
X		3	E-AD-7011486-0-0 A-SP-7010014-0-8 A-CS-7010014-TA-1 A-UA-7010014-TA-0 A-PL-7010014-TA-0 A-SP-7011486-0-9	# A A A A		TRANSFORMER ASSY TEST PROCEDURE TESTER C.S. TESTER U.A. TESTER P.L. TRANSFORMER ASSY PROCEDURE		X		14	D-CS-5411086-0-1 A-SP-11/45-TA-2 A-SP-5411086-0-3 D-IA-7010138-0-0	#	4	PWR LINE MONITOR/15V REG TEST PROCEDURE ENGINEERING SPECIFICATION HARNESS INTERCONNECTION		
X		4	D-AD-7014420-0-0 A-SP-7009811-0-8 A-CS-7009811-TA-1 A-UA-7009811-TA-0 A-PL-7009811-TA-0 A-SP-7009811-0-9	#	2	AC INPUT BOX ASSY TEST PROCEDURE TESTER C.S. TESTER U. A. TESTER P.L. AC INPUT BOX ASSY PROCEDURE				15	D-IA-7011751-0-0			CAP MOV BOARD ASSY		
X		6	D-UA-5413089-0-0			PILOT CONTROL BOARD				16	D-CS-5411689-0-1			CAP MOV ASSY		
C		8	B-DD-H744-0	#	2	DRAWING DIRECTORY H744										
C		9	B-DD-H745-0	#	2	DRAWING DIRECTORY H745										
C		10	B-DD-H754-0	#	3	DRAWING DIRECTORY H754										
CUSTOMER PRINT SET CODES		X = PRINT OF DOCUMENT INCLUDED IN PRINT SET C = INCLUDES ALL PRINTS INDICATED ON DOCUMENT S = CONFIDENTIAL AUTHORIZED SIGNATURE REQUIRED					TITLE		DRAWING DIRECTORY POWER SUPPLY H765		SIZE CODE		NUMBER		REV	
							SHEET 3 OF 5		B DD		H765-0		R			

DRB 108

DEC 16-(325)-1062-28-R972

CUSTOMER PRINT SET		MECHANICAL					CUSTOMER PRINT SET		MECHANICAL						
1	MFG. SET	FIND NO.	REV	NO OF SHT	DESCRIPTION	OPTION NO./FILE DATE	1	MFG. SET	FIND NO.	REV	NO OF SHT	DESCRIPTION	OPTION NO./FILE DATE		
		1	E-UA-H765- β - β	R	0	POWER SUPPLY H765			6	D-UA-5413089-0-0			PILOT CONTROL BOARD		
			D-IA-7009950-0-0		1	THROUGH WIRE									
		2	E-IA-7009752-0-0		1	CHASSIS, POWER SUPPLY									
			E-IA-7411682-0-0		1	CHASSIS, POWER SUPPLY									
			D-MD-7411685-0-0		1	SIDE, POWER SUPPLY									
			D-MD-7411684-0-0		1	HOUSING COMP. CHASSIS									
		3	E-AD-7011486-0-0		2	TRANSFORMER ASSY			8	B-DD-H744- β		2	DRAWING DIRECTORY H744		
			C-MD-7414301-0-0		1	COVER									
		4	D-AD-7014420-0-0		2	AC INPUT BOX ASSY			9	B-DD-H745- β		2	DRAWING DIRECTORY H745		
			A-DC-7412303-0-1		1	DECAL 115V									
X			D-AD-7012500-0-0		1	POWER CORD			10	B-DD-H754- β		3	DRAWING DIRECTORY H754		
			A-DC-7412380-0-1		1	DECAL 230V									
		5	D-IA-7009812-0-0	A	1	CHASSIS COMPONENT MTG.			11	D-IA-7009949-0-0		1	COVER, POWER SUPPLY		
			D-IA-7411765-0-0		1	PLATE SWITCH				C-MD-7412473-0-0		1	STRIP, CLAMP		
			D-IA-7411766-0-0	B	1	PLATE COMPONENT MTG.									
CUSTOMER PRINT SET CODES		X = PRINT OF DOCUMENT INCLUDED IN PRINT SET					TITLE		DRAWING DIRECTORY		SIZE CODE		NUMBER		P.V.
		C = INCLUDES ALL PRINTS INDICATED ON DOCUMENT					DRAWING DIRECTORY		B DD		H765- β				R
		S = CONFIDENTIAL AUTHORIZED SIGNATURE REQUIRED					POWER SUPPLY H765		SHEET 4 OF 5						

CUSTOMER PRINT SET		MECHANICAL					CUSTOMER PRINT SET								
1	MFG. SET	FIND NO.	DRAWING NO.	REV	NO OF SHT	DESCRIPTION	OPTION NO./FILE DATE		MFG. SET	FIND NO.	DRAWING NO.	REV	NO OF SHT	DESCRIPTION	OPTION NO./FILE DATE
		12	D-CS-5410864-0-1		3	POWER DIST. BD. ASSY									
			C-MD-7412192-0-0		1	SHIELD									
			D-MD-7411704-0-0		1	BRACKET, CONN. MTG.									
			C-IA-9305937-0-0			MATE-N-LOK FIXTURES									
			D-IA-5010863-0-0		1	ETCHED CIRCUIT BD.									
			K-CO-5410864-0-4			X-Y COORDINATE HOLE LOC.									
			D-AH-5410864-0-5		1	ASSY DRILLING HOLE LAYOUT									
			B-MH-5410864-0-6		1	MODULE ECO HISTORY									
			5010863		REP	ETCH CIRCUIT BOARD									
		K 13	A-SP-3700174-0-0	-	2	PACKAGING INSTRUCTIONS									
			A-PS-9905664-0-0	-	2	REGULAR SLOTTED CARTON									
			A-PS-9905665-0-0	-	2	LAMINATED BUILDUP									
		14	D-AH-5411086-0-5		1	ASSY DRILLING HOLE LAYOUT									
			B-MH-5411086-0-6		1	MODULE ECO HISTORY									
		15	D-AD-7011486-0-0		1	ASSEMBLY DRAWING									
		16	D-AH-5411689-0-5		1	ASSY DRILLING HOLE LAYOUT									
			D-MH-5411689-0-6		1	MODULE ECO HISTORY									

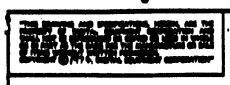
CUSTOMER PRINT SET CODES
X = PRINT OF DOCUMENT INCLUDED IN PRINT SET
C = INCLUDES ALL PRINTS INDICATED ON DOCUMENT
S = CONFIDENTIAL AUTHORIZED SIGNATURE REQUIRED

TITLE
DRAWING DIRECTORY
POWER SUPPLY H765

SHEET 5 OF 5
SIZE CODE
B DD

NUMBER
H765-Ø

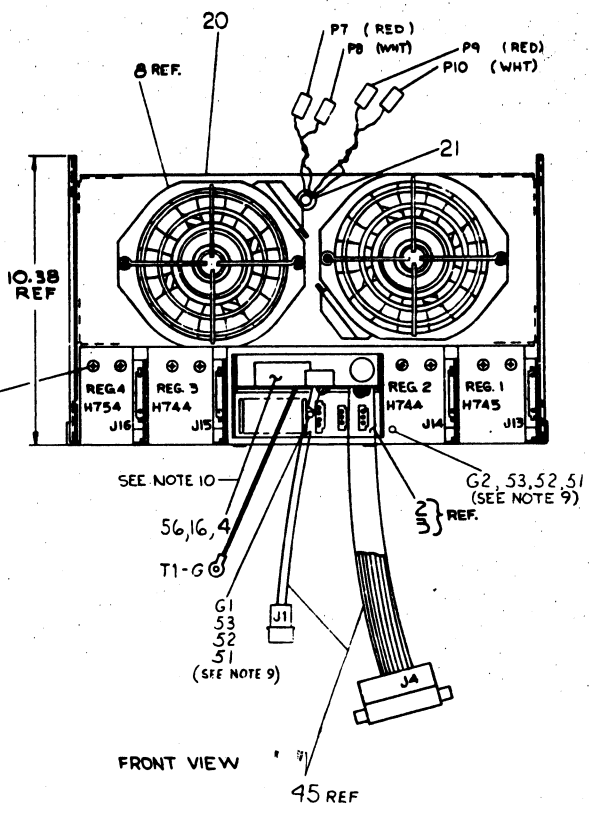
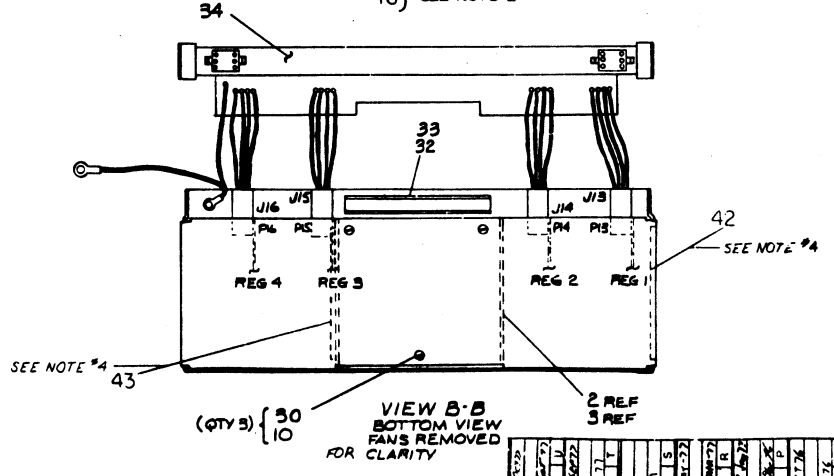
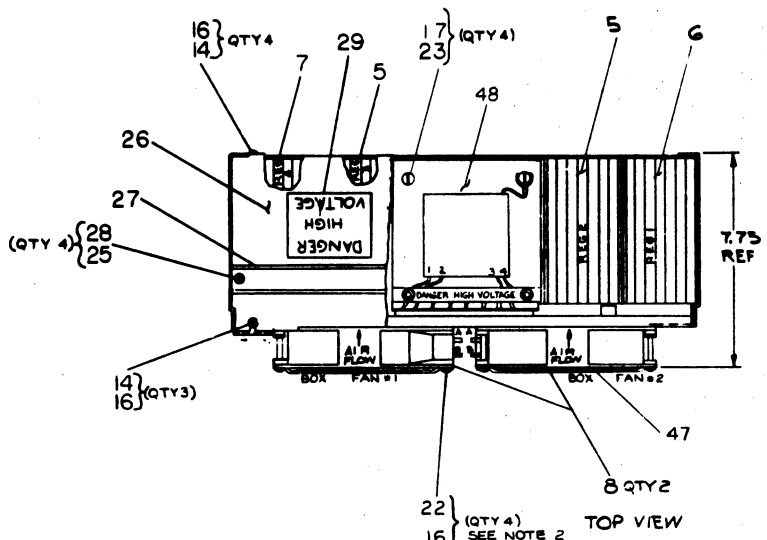
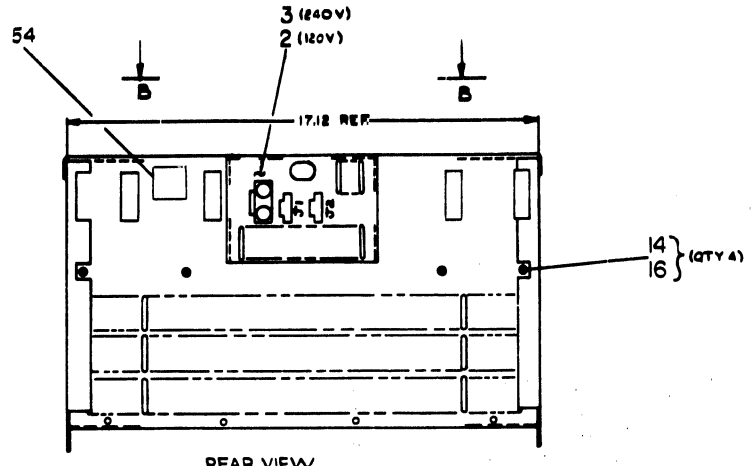
REV
R



NUMBER	VARIATION
H765-A	20V 50/60 HZ
H765-B	240V 50/60 HZ
H765-C	120V 50/60 HZ NO HT84
H765-D	240V 50/60 HZ NO HT84
H765-P	120V 50/60 HZ NO HT84
H765-R	240V 50/60 HZ NO HT84

- NOTES**
1. TRANSFORMER ASSEMBLY AD-701408-0-0 MUST BE MOUNTED ON CHASSIS WITH TORQUE SCREW DRIVER.
 2. TIGHTEN FAN SCREWS TO 10 IN-LBS WITH A TORQUE SCREW DRIVER.
 3. INSTALL A.B.S VINYL VIEW B-B ITEM #42 AND #43, CENTER 1/4 INCH FROM BOTTOM AND SIDES ON INSIDE WALL.
 4. ITEM 7 - H754 IS NOT USED IN VARIATIONS C & D.
 5. ITEM 53 IS TO BE USED TO PREVENT CORROSION OF CHASSIS AT GROUND STUD.

NOTES (CON'T.)
 10. ITEM 16 (SCREW & WASHER) TO BE USED TO MOUNT 5411086 (ITEM 4) IN AC INPUT BOX (ITEM 2, OR 3) IN A.B.C.D VERSION. IN PER VERSION, INSTALL SCREW & WASHER IN MOUNTING HOLES. THEY WILL BE USED ON A HIGHER ASSEMBLY.



REV	DATE	DESCRIPTION
1	10/1/75	INITIAL RELEASE
2	10/1/75	REVISION 1
3	10/1/75	REVISION 2
4	10/1/75	REVISION 3
5	10/1/75	REVISION 4
6	10/1/75	REVISION 5
7	10/1/75	REVISION 6
8	10/1/75	REVISION 7
9	10/1/75	REVISION 8
10	10/1/75	REVISION 9
11	10/1/75	REVISION 10
12	10/1/75	REVISION 11
13	10/1/75	REVISION 12
14	10/1/75	REVISION 13
15	10/1/75	REVISION 14
16	10/1/75	REVISION 15
17	10/1/75	REVISION 16
18	10/1/75	REVISION 17
19	10/1/75	REVISION 18
20	10/1/75	REVISION 19
21	10/1/75	REVISION 20
22	10/1/75	REVISION 21
23	10/1/75	REVISION 22
24	10/1/75	REVISION 23
25	10/1/75	REVISION 24
26	10/1/75	REVISION 25
27	10/1/75	REVISION 26
28	10/1/75	REVISION 27
29	10/1/75	REVISION 28
30	10/1/75	REVISION 29
31	10/1/75	REVISION 30
32	10/1/75	REVISION 31
33	10/1/75	REVISION 32
34	10/1/75	REVISION 33
35	10/1/75	REVISION 34
36	10/1/75	REVISION 35
37	10/1/75	REVISION 36
38	10/1/75	REVISION 37
39	10/1/75	REVISION 38
40	10/1/75	REVISION 39
41	10/1/75	REVISION 40
42	10/1/75	REVISION 41
43	10/1/75	REVISION 42
44	10/1/75	REVISION 43
45	10/1/75	REVISION 44
46	10/1/75	REVISION 45
47	10/1/75	REVISION 46
48	10/1/75	REVISION 47
49	10/1/75	REVISION 48
50	10/1/75	REVISION 49
51	10/1/75	REVISION 50
52	10/1/75	REVISION 51
53	10/1/75	REVISION 52
54	10/1/75	REVISION 53
55	10/1/75	REVISION 54
56	10/1/75	REVISION 55
57	10/1/75	REVISION 56
58	10/1/75	REVISION 57
59	10/1/75	REVISION 58
60	10/1/75	REVISION 59
61	10/1/75	REVISION 60
62	10/1/75	REVISION 61
63	10/1/75	REVISION 62
64	10/1/75	REVISION 63
65	10/1/75	REVISION 64
66	10/1/75	REVISION 65
67	10/1/75	REVISION 66
68	10/1/75	REVISION 67
69	10/1/75	REVISION 68
70	10/1/75	REVISION 69
71	10/1/75	REVISION 70
72	10/1/75	REVISION 71
73	10/1/75	REVISION 72
74	10/1/75	REVISION 73
75	10/1/75	REVISION 74
76	10/1/75	REVISION 75
77	10/1/75	REVISION 76
78	10/1/75	REVISION 77
79	10/1/75	REVISION 78
80	10/1/75	REVISION 79
81	10/1/75	REVISION 80
82	10/1/75	REVISION 81
83	10/1/75	REVISION 82
84	10/1/75	REVISION 83
85	10/1/75	REVISION 84
86	10/1/75	REVISION 85
87	10/1/75	REVISION 86
88	10/1/75	REVISION 87
89	10/1/75	REVISION 88
90	10/1/75	REVISION 89
91	10/1/75	REVISION 90
92	10/1/75	REVISION 91
93	10/1/75	REVISION 92
94	10/1/75	REVISION 93
95	10/1/75	REVISION 94
96	10/1/75	REVISION 95
97	10/1/75	REVISION 96
98	10/1/75	REVISION 97
99	10/1/75	REVISION 98
100	10/1/75	REVISION 99

QTY	DESCRIPTION	PART NO.	REV
4	SCR PH HD 4.32X1/4	9006020-1	56
1	CABLE GND	7013825-02	55
1	DECAL	ADC-741826-0-0	54
A/R	GREASE CONDUCTOR	490173-01	53
2	WASHER 1/8X 1/16X 3/32	9008012	52
2	NUT, REF #8-32	9005563	51
1	TRANSFORMER ASSEMBLY AD-701408-0-0	AD-701408-0-0	48
2	FAN GUARD	1212361	47
1	HARNESS INTERCONN. DIA-70038-0-0	DIA-70038-0-0	45
1	A.B.S VINYL 4.75 X 3.5	1210984-03	43
1	A.B.S VINYL 4.75 X 6	1210984-04	42
REF	TEST PROCEDURE	A-SP-H765-0-1	40
REF	TESTER C.S.	A-CS-H765-7-1	39
REF	TESTER U.A.	E-UA-H765-7-1	38
REF	TESTER P.L.	A-PL-H765-7-0	37
REF	H765 POWER SUPPLY ASSEMBLY PROCEDURE	A-SP-H765-C-9	36
REF	PACKAGING INSTRUCTIONS	A-SP-81007-0-0	35
1	PWA DISTRIBUTION BOX	D-CP-3428-0-1	34
A/R	PERMA BOND	9009157	33
A/R	GROMMET STRIP	9009291	32
4	TIE WRAP 1/8X 1/2	9007880	31
3	WASHER 1/8X 1/16X 3/32	9008012	30
1	STICKER DANGER HIGH VOLTAGE	3610267	29
4	WASH INT TOOTHLOCK #8	9006634	28
1	TROUBLE WIRE	D-1A700950-0-0	27
1	COVER, POWER SUPPLY	D-1A700950-0-0	26
4	SCR PH HD TRUSS 321.15	9006031-3	25
4	SCR PH HD TRUSS 321.25	9006020-3	24
4	SCR PH HD TRUSS 321.30	9006073-3	23
4	SCR PH HD TRUSS 321.15	9006031-3	22
1	GROMMET .501 D	9007016	21
1	CHASSIS, POWER SUPPLY	E-1A-1004782-0-0	20
1	CUMMINS CABLE	1A-1004782-0-0	19
10	WASH INT TOOTH #10	9006635	17
11	WASH INT TOOTH #6	9006633	16
11	SCR PH HD TRUSS 10-32L5	9008007-3	15
7	SCR PH HD TRUSS 56-32L25	9006020-3	14
3	ACR, PH, PL, HD, 32X.3	9008604-2	10
2	FAN, 115 V AC 50/60 HZ	1211714	8
1	+20V REGULATOR (H784)	B-DD-H754-0	7
1	-15V REGULATOR (H749)	B-DD-H749-0	6
2	+5V REGULATOR (H744)	B-DD-H744-0	5
1	PWR. BD. (+15V REG)	E1A-6411086	4
1	AC INPUT BOX ASSY 115V	D-AD-701420-2-0	3
1	AC INPUT BOX ASSY 115V	D-AD-701420-1-0	2

POWER SUPPLY, H765

REV. U

DATE: 10/1/75

SCALE: NONE

SHEET: 1 OF 2

APPROVED: [Signature]

DESIGNED: [Signature]

TESTED: [Signature]

INSPECTED: [Signature]

DATE: 10/1/75

SCALE: NONE

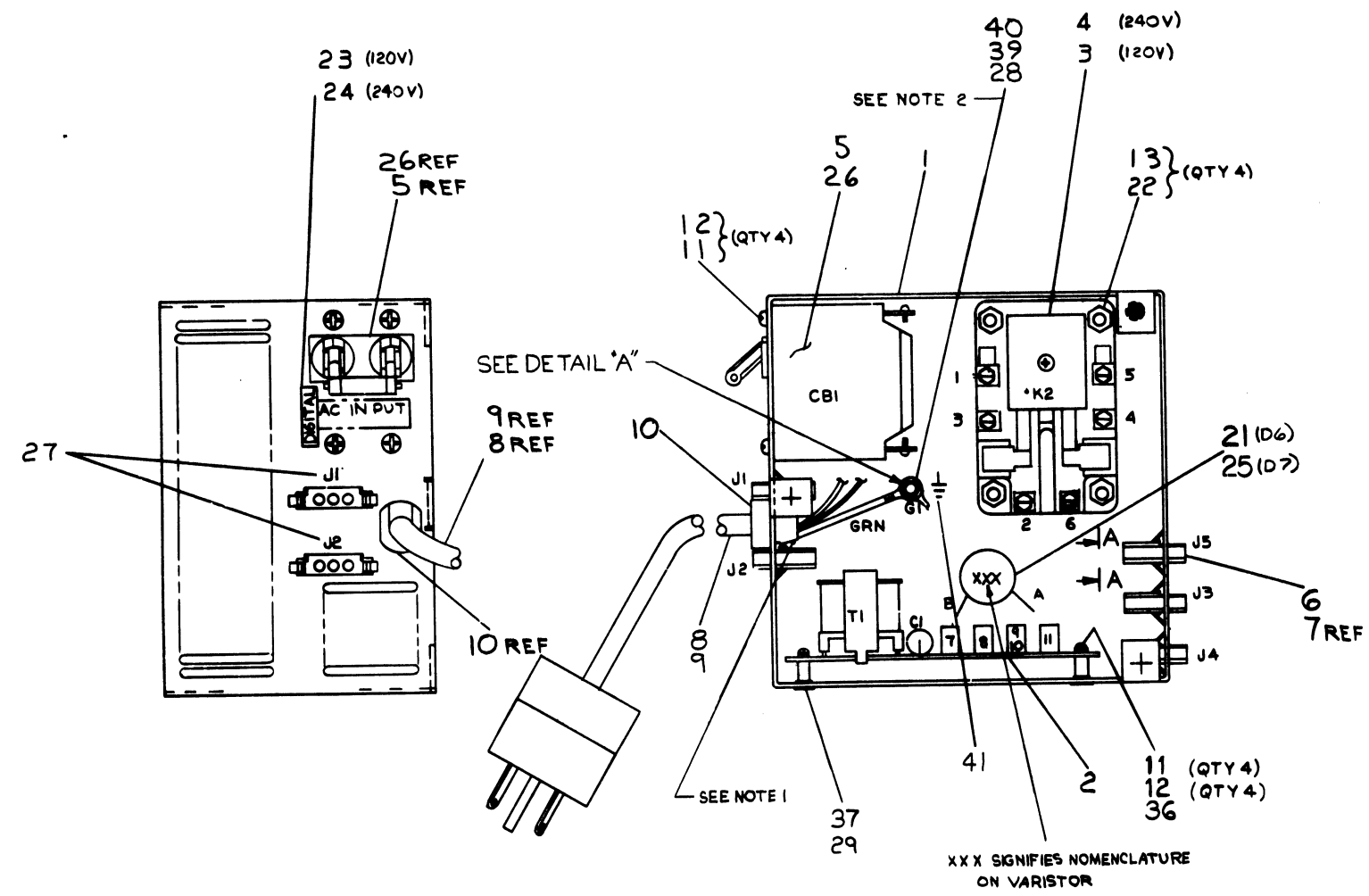
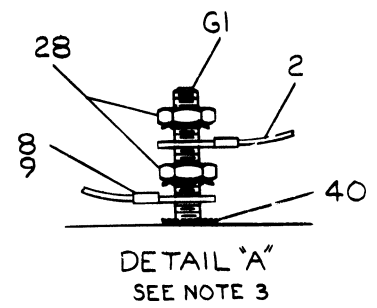
SHEET: 1 OF 2

THE DRAWING AND SPECIFICATIONS HEREIN ARE THE PROPERTY OF DIGITAL EQUIPMENT CORPORATION AND SHALL NOT BE REPRODUCED OR COPIED OR USED IN WHOLE OR IN PART AS THE BASIS FOR THE MANUFACTURE OR SALE OF ITEMS WITHOUT WRITTEN PERMISSION. COPYRIGHT © 1974, DIGITAL EQUIPMENT CORPORATION

NOTES:

1. LEAVE .5 IN ±.2 IN OF OUTER INSULATION OF LINE CORD INSIDE BOX.
2. REMOVE PAINT MASK FROM G1 ONLY AND APPLY CONDUCTIVE GREASE TO AREA AROUND STUD G1 BEFORE INSTALLING ITEMS 40 (LOCKWASHER), LUG ON GRN/YEL WIRE, AND 28 (KEPNUT).
3. ENSURE THAT LUG CONNECTED TO GRN/YEL WIRE FROM LINE CORD, WASHER ITEM 40, AND KEPNUT ITEM 28 ARE THE FIRST ITEMS INSTALLED ON G1. SEE DETAIL A.

LEGEND	
NUMBER	VARIAT JN
7009811-1	120V47-63HZ 12A
7009811-2	240V47-63HZ 6A



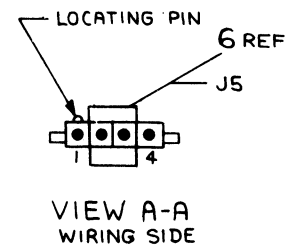
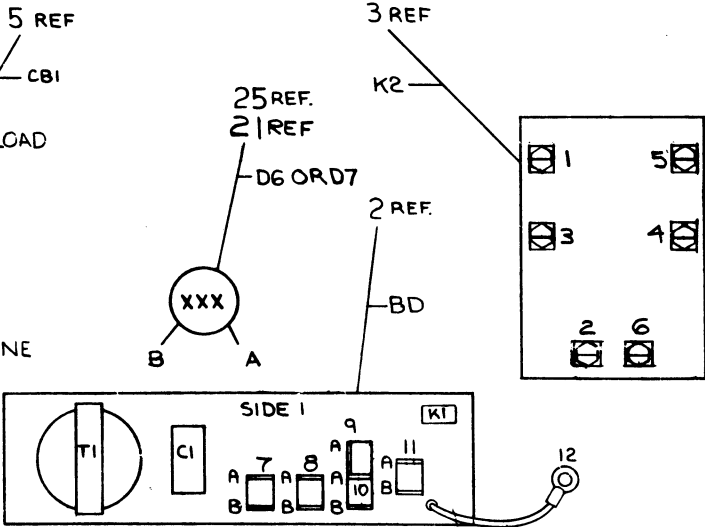
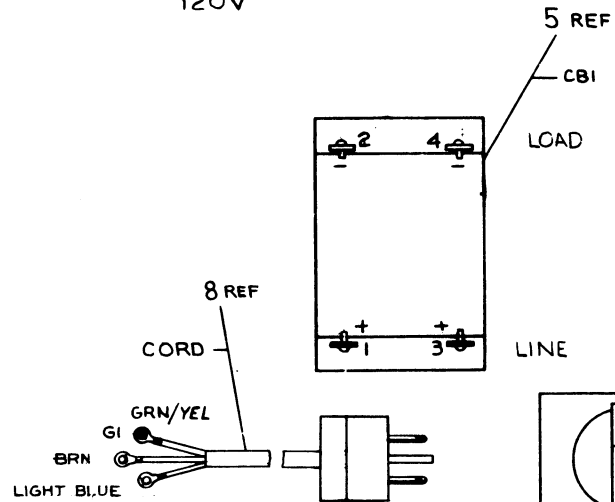
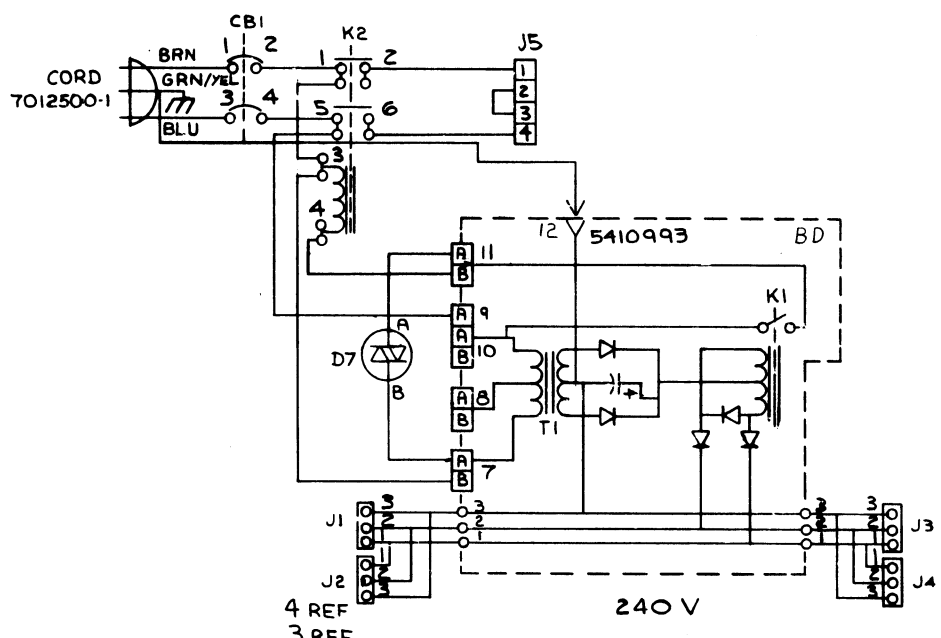
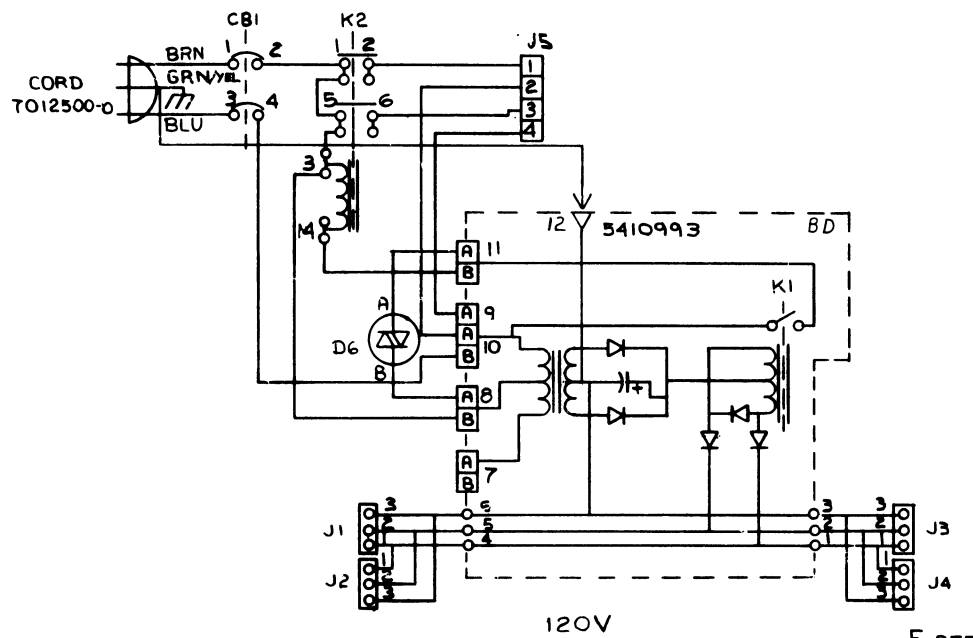
XXX SIGNIFIES NOMENCLATURE ON VARIATOR

QTY.	DESCRIPTION	PART NO.	REV.
1	DECAL, SAFTY GROUND	A-DC-3612480-01	41
1	WASHER, EXT TOOTH #8	9008072	40
A/R	A/R GREASE, CONDUCTIVE	4901173-01	39
1	JUMPER, POWER (WHT)	7010301-8	38
4	SCR. PH. FL HD. 6-32X1/4	9006020-02	37
4	WASHER, FLAT	9006653	36
REF	REF A.C. INPUT BOX ASSEMBLY PROCEDURE	A-SP-7009811-0-9	35
REF	REF TESTER PARTS LIST	A-PL-7009811-7A-0	34
REF	REF TESTER TEST PROCEDURE	A-SP-7009811-0-8	33
REF	REF TESTER U.A.	A-UA-7009811-0-8	32
REF	REF TESTER C.S.	A-CS-7009811-0-8	31
4	SPACER 6-32X 3/8"	9006844	29
3	NUT, KEPS #8-32	9006563	28
1	DECAL	A-DC-7409873-0-0	27
1	CIRCUIT BRK 10 A	1212124-03	26
1	VARIATOR (D7) ASSY	C-IA-7010300-2-0	25
1	DECAL 230V47-63 HZ 6A	A-DC-7412300-0-0	24
1	DECAL 115V 47-63 HZ 12A	A-DC-7412303-0-0	23
4	SCR PH FL HD #6-32 X 50	9006024-2	22
1	VARIATOR (D6) ASSY	C-IA-7010300-1-0	21
2	POWER JUMPER (BLK)	D-IA-7010301-8-0	20
1	POWER JUMPER (BLK)	D-IA-7010301-3-0	19
2	POWER JUMPER (BLK)	D-IA-7010301-4-0	18
1	POWER JUMPER (WHT)	D-IA-7010301-5-0	17
2	POWER JUMPER (WHT)	D-IA-7010301-6-0	16
1	POWER JUMPER (BRN)	D-IA-7010301-7-0	15
1	POWER JUMPER (BLK)	D-IA-7010301-1-0	14
4	NUT KEPS #6-32	9008185	13
8	WASHER, INT TOOTH #6	9006633	12
8	SCR PHL PAN HD #6-32X25	9006020-1	11
1	STRAIN RELIEF	9008509	10
1	POWER CORD 240V	D-AD-7012500-1	9
1	POWER CORD 120V	D-AD-7012500-0	8
1	PWR CONTROL HARN. 240V	D-IA-7010302-2-0	7
1	PWR CONTROL HARN 120V	D-IA-7010302-1-0	6
1	CIRCUIT BREAK 20A	1212124-05	5
1	RELAY 240V	1211222-02	4
1	RELAY 120V	1211222-01	3
1	AC PWR CONTR BOARD	D-CS-5410993-0-1	2
1	CHASSIS, COMP. MTG	D-IA-7009812-0-0	1

REV.	CHANGE NO.	DATE	BY	DESCRIPTION
1	1	7/10/75	R. WOLF	INITIAL REV.
2	1	1-10-75	R. WOLF	REVISED TO 1-10-75
3	1	1-10-75	R. WOLF	REVISED TO 1-10-75
4	1	1-10-75	R. WOLF	REVISED TO 1-10-75
5	1	2-10-75	R. WOLF	REVISED TO 2-10-75
6	1	1-10-76	R. WOLF	REVISED TO 1-10-76
7	1	1-10-76	R. WOLF	REVISED TO 1-10-76
8	1	1-10-76	R. WOLF	REVISED TO 1-10-76
9	1	1-10-76	R. WOLF	REVISED TO 1-10-76
10	1	1-10-76	R. WOLF	REVISED TO 1-10-76
11	1	1-10-76	R. WOLF	REVISED TO 1-10-76
12	1	1-10-76	R. WOLF	REVISED TO 1-10-76
13	1	1-10-76	R. WOLF	REVISED TO 1-10-76
14	1	1-10-76	R. WOLF	REVISED TO 1-10-76
15	1	1-10-76	R. WOLF	REVISED TO 1-10-76
16	1	1-10-76	R. WOLF	REVISED TO 1-10-76
17	1	1-10-76	R. WOLF	REVISED TO 1-10-76
18	1	1-10-76	R. WOLF	REVISED TO 1-10-76
19	1	1-10-76	R. WOLF	REVISED TO 1-10-76
20	1	1-10-76	R. WOLF	REVISED TO 1-10-76
21	1	1-10-76	R. WOLF	REVISED TO 1-10-76
22	1	1-10-76	R. WOLF	REVISED TO 1-10-76
23	1	1-10-76	R. WOLF	REVISED TO 1-10-76
24	1	1-10-76	R. WOLF	REVISED TO 1-10-76
25	1	1-10-76	R. WOLF	REVISED TO 1-10-76
26	1	1-10-76	R. WOLF	REVISED TO 1-10-76
27	1	1-10-76	R. WOLF	REVISED TO 1-10-76
28	1	1-10-76	R. WOLF	REVISED TO 1-10-76
29	1	1-10-76	R. WOLF	REVISED TO 1-10-76
30	1	1-10-76	R. WOLF	REVISED TO 1-10-76
31	1	1-10-76	R. WOLF	REVISED TO 1-10-76
32	1	1-10-76	R. WOLF	REVISED TO 1-10-76
33	1	1-10-76	R. WOLF	REVISED TO 1-10-76
34	1	1-10-76	R. WOLF	REVISED TO 1-10-76
35	1	1-10-76	R. WOLF	REVISED TO 1-10-76
36	1	1-10-76	R. WOLF	REVISED TO 1-10-76
37	1	1-10-76	R. WOLF	REVISED TO 1-10-76
38	1	1-10-76	R. WOLF	REVISED TO 1-10-76
39	1	1-10-76	R. WOLF	REVISED TO 1-10-76
40	1	1-10-76	R. WOLF	REVISED TO 1-10-76
41	1	1-10-76	R. WOLF	REVISED TO 1-10-76

FIRST USED ON OPTION/MODEL		QTY.	DESCRIPTION	PART NO.	REV.
B11-K					
DIMENSIONAL TOLERANCE					
DIMENSIONS ARE IN INCHES					
UNLESS OTHERWISE SPECIFIED					
MILLIMETERS	INCHES	ANGLES			
XXX ±0.10	XXX ±0.25	° ±5'			
XX ±0.05	XX ±0.12				
X ±0.2	X ±0.5				
THIRD ANGLE PROJECTION	REMOVE BURRS AND BREAK SHARP CORNERS SURFACE QUALITY	NEXT HIGHER ASSY.			
MATERIAL	SEE PARTS LIST	E-UA-H 765-0-0		DAD	7009810-0
FINISH		SCALE NONE		SHEET 1	OF 3
DATE 6-76-79		DATE 6-27-79		DATE 7-11-79	
BY Ferguson		BY Ferguson		BY Ferguson	
CHECK		CHECK		CHECK	
DATE		DATE		DATE	
TITLE		AC INPUT BOX ASSY.			
REV.		REV.			

"THIS DRAWING AND SPECIFICATIONS HEREIN ARE THE PROPERTY OF DIGITAL EQUIPMENT CORPORATION AND SHALL NOT BE REPRODUCED OR COPIED OR USED IN WHOLE OR IN PART AS THE BASIS FOR THE MANUFACTURE OR SALE OF ITEMS WITHOUT WRITTEN PERMISSION. COPYRIGHT © 1974, DIGITAL EQUIPMENT CORPORATION"



REVISIONS		
CHK	CHANGE NO.	REV

TITLE	AC INPUT BOX ASS'Y.	SIZE CODE	DAD	NUMBER	7009811-0-0	REV.	K
SCALE	NONE	SHEET	2 OF 3	DRAWN			

THIS DRAWING AND SPECIFICATIONS HEREIN ARE THE PROPERTY OF DIGITAL EQUIPMENT CORPORATION AND SHALL NOT BE REPRODUCED OR COPIED OR USED IN WHOLE OR IN PART AS THE BASIS FOR THE MANUFACTURE OR SALE OF ITEMS WITHOUT WRITTEN PERMISSION. COPYRIGHT © 1976 DIGITAL EQUIPMENT CORPORATION

WIRE TABLE (120V)							
ITEM NO.	DESCRIPTION		CONNECTION		CONNECTION		REMARKS
	AWG	COLOR	FROM	WITH	TO	WITH	
8	14	BRN	CORD	---	CBI-1(+)	---	
8	14	BLU	CORD	---	CBI-3(+)	---	
14		BLK	CBI-2(-)	---	K2-1	---	
18		BLK	K2-5	---	K2-3	---	
18		BLK		---		---	---
19		BLK	BD-3B	---		---	
17		WHT	CBI-4(-)	---	BD-10B	---	
6		WHT	BD-10A	---	J5-2(REF)	---	
6		WHT	BD-9A	---	J5-4(REF)	---	
15		BRN	K2-4	---	BD-11B	---	
6		BLK	K2-4	---	J5-3(REF)	---	
6	14	BLK	K2-2	---	J5-1(REF)	---	
21	22	RED	D6-A	---	BD-11A	---	
21	22	RED	D6-B	---	BD-8A	---	
8	14	GRN/YEL	CORD	---	G1	---	SEE NOTE 2
2	14	GRN/YEL	BD-12	---	G1	---	SEE DETAIL A AND NOTE 2

WIRE TABLE (240V)							
ITEM NO.	DESCRIPTION		CONNECTION		CONNECTION		REMARKS
	AWG	COLOR	FROM	WITH	TO	WITH	
8	14	BRN	CORD	---	CBI-1(+)	---	
8		BLU	CORD	---	CBI-3(+)	---	
14		BLK	CBI-2	---	K2-1	---	
20		BLK	K2-3	---		---	
19		BLK	---	---	BD-7B	---	
38		WHT	---	---	CBI-4(-)	---	
16		WHT	K2-5	---	BD-9A	---	
15		BRN	K2-4	---	BD-11B	---	
7		BLK	K2-2	---	J5-1(REF)	---	
7		BLK	J5-2(REF)	---	J5-3(REF)	---	
7	14	WHT	K2-6	---	J5-4(REF)	---	
25	22	RED	D7-A	---	BD-11A	---	
25	22	RED	D7-B	---	BD-7A	---	
8	14	GRN/YEL	CORD	---	G1	---	SEE NOTE 2
2	14	GRN/YEL	BD-12	---	G1	---	SEE DETAIL A AND NOTE 2

REVISIONS		
CHK	CHANGE NO.	REV.

TITLE	AC INPUT BOX ASSY	SIZE CODE	D AD	NUMBER	7009811-0-0	REV.	K
SCALE	NONE	SHEET	3 OF 3	DIST.			

THE DRAWING AND SPECIFICATIONS HEREON ARE THE PROPERTY OF METAL EQUIPMENT CORPORATION AND SHALL NOT BE REPRODUCED OR USED IN WHOLE OR IN PART AS THE BASIS FOR THE MANUFACTURE OR SALE OF ITEMS WITHOUT WRITTEN PERMISSION. COPYRIGHT © 1976, METAL EQUIPMENT CORPORATION

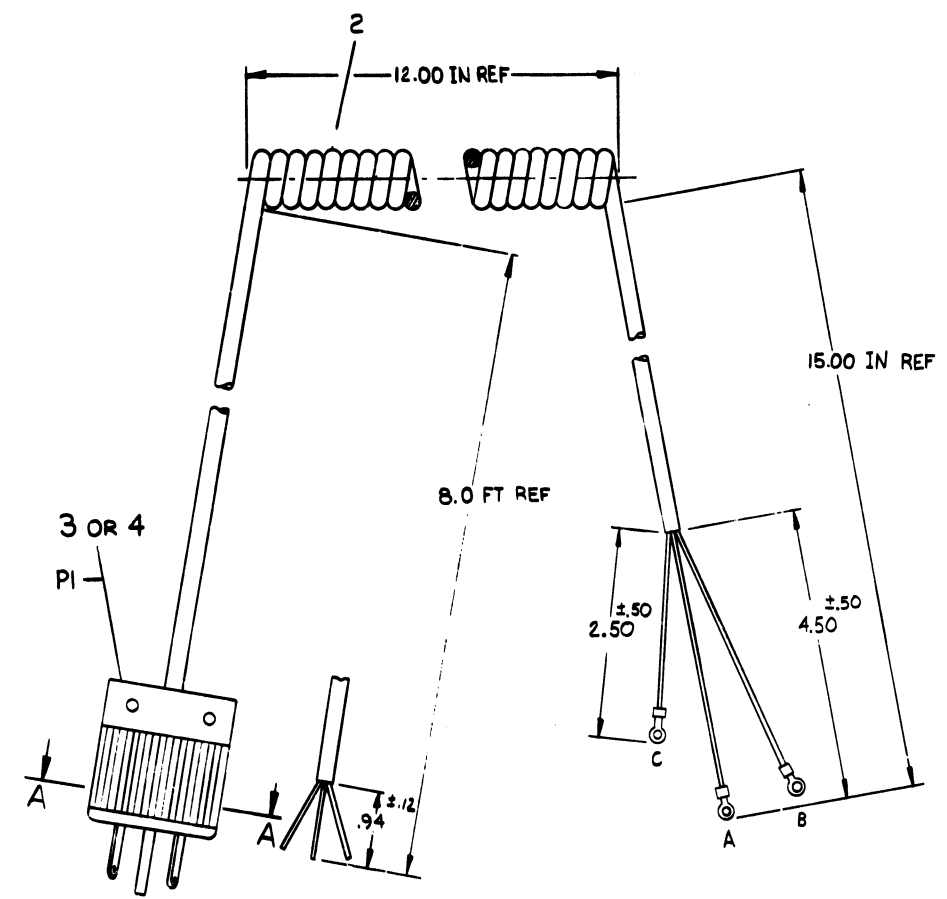
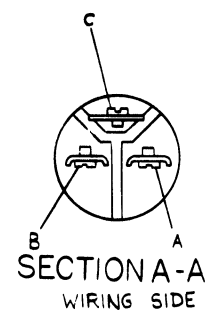
WIRE TABLE (7012500-0)

WIRE TABLE (7012500-1)

ITEM NO.	DESCRIPTION		FROM		TO		REMARKS	ITEM NO.	DESCRIPTION		FROM		TO		REMARKS
	AWG	COLOR	CONNECTION	WITH	CONNECTION	WITH			AWG	COLOR	CONNECTION	WITH	CONNECTION	WITH	
2	14	BRN	PI-B	---	B	G	AC LINE	2	14	BRN	PI-B	---	B	G	LINE
2	14	LT BLU	PI-A	---	A	G	AC NEUTRAL	2	14	LT BLU	PI-A	---	A	G	NEUTRAL
2	14	BRN/YEL	PI-C	---	C	G	AC SAFETY GND	2	14	GRN/YEL	PI-C	---	C	G	AC SAFETY GND

LEGEND

NUMBER	VARIATION
7012500-0	12CV
7012500-1	240V



QTY	DESCRIPTION	DWG/PART NO.	ITEM NO.
3	TERMINAL RING TONGUE	9007929	6
3	TERMINAL QUICK CONNECT	9007919	6
1	PLUG, 240 V	9008853	4
1	PLUG, 120 V	9008938	3
1	POWER CORD	1700065-0	2
1	POWER CORD	1700065	2

QUANTITY & VARIATION	DESCRIPTION	DWG/PART NO.	ITEM NO.
7012500-1	7012500-0		

UNLESS OTHERWISE SPECIFIED DIMENSIONS ARE IN INCHES

APPROX. CLASS OF ACCURACY	CLASS OF ACCURACY	APPROX. DIMENSION RANGE INCHES	CLASS OF ACCURACY
0.1	0.1	0.125 - 0.250	0.1
0.2	0.2	0.250 - 0.500	0.2
0.3	0.3	0.500 - 1.000	0.3
0.4	0.4	1.000 - 2.000	0.4
0.5	0.5	2.000 - 4.000	0.5
0.6	0.6	4.000 - 6.000	0.6
0.7	0.7	6.000 - 10.000	0.7
0.8	0.8	10.000 - 18.000	0.8
0.9	0.9	18.000 - 30.000	0.9
1.0	1.0	30.000 - 60.000	1.0
1.2	1.2	60.000 - 120.000	1.2
1.5	1.5	120.000 - 240.000	1.5
2.0	2.0	240.000 - 480.000	2.0
3.0	3.0	480.000 - 960.000	3.0
4.0	4.0	960.000 - 1920.000	4.0
5.0	5.0	1920.000 - 3840.000	5.0
6.0	6.0	3840.000 - 7680.000	6.0
8.0	8.0	7680.000 - 15360.000	8.0
10.0	10.0	15360.000 - 30720.000	10.0

DR. P. Beatty 2-27-76
CHK'D: [Signature] 2-27-76
ENGR. [Signature] 3-27-76
PROJ. ENGR. [Signature] 5-27-76
PRG. [Signature] 5-27-76

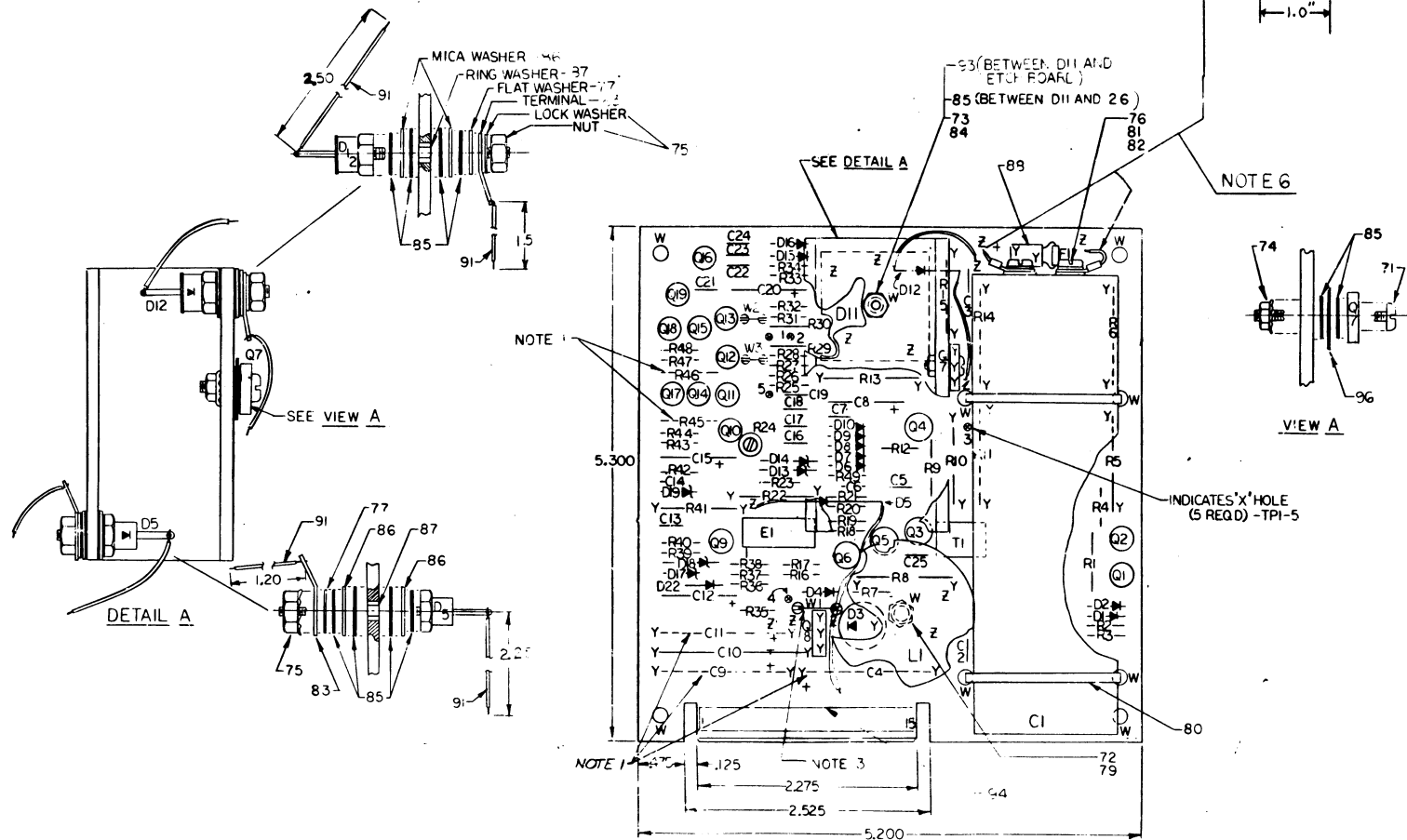
FIRST USED ON: 3A11-K
TITLE: POWER CORD 120V 240V
SIZE CODE: D TA
NUMBER: 7012500-0-0
REV. B

REV.	DESCRIPTION	DATE
A	7012500-0-0	
B	7012500-0-0	
C	7012500-0-0	
D	7012500-0-0	
E	7012500-0-0	
F	7012500-0-0	
G	7012500-0-0	
H	7012500-0-0	
I	7012500-0-0	
J	7012500-0-0	
K	7012500-0-0	
L	7012500-0-0	
M	7012500-0-0	
N	7012500-0-0	
O	7012500-0-0	
P	7012500-0-0	
Q	7012500-0-0	
R	7012500-0-0	
S	7012500-0-0	
T	7012500-0-0	
U	7012500-0-0	
V	7012500-0-0	
W	7012500-0-0	
X	7012500-0-0	
Y	7012500-0-0	
Z	7012500-0-0	

THIS DRAWING AND SPECIFICATIONS, HEREIN, ARE THE PROPERTY OF DIGITAL EQUIPMENT CORPORATION AND SHALL NOT BE REPRODUCED OR COPIED OR USED IN WHOLE OR IN PART AS THE BASIS FOR THE MANUFACTURE OR SALE OF ITEMS WITHOUT WRITTEN PERMISSION.
 COPYRIGHT © 1974 DIGITAL EQUIPMENT CORPORATION

NOTES:

1. R45, R46, C4, C9, & C11 ARE NOT USED ON BASIC 5411086 BUT ARE RESERVED FOR PLANNED FUTURE MODULE VARIATIONS.
2. ** TOTAL +15V AND +5V CURRENT NOT TO EXCEED 40 AMPERES.
3. W1 (TEST JUMPER) MAY BE TEMPORARILY REMOVED WHILE TROUBLE-SHOOTING TO DETERMINE IF LOSS OF 15V IS DUE TO CROWBAR CIRCUITRY, BUT MUST BE IN THE BOARD FOR NORMAL OPERATION.
4. ~~NON-ITEMIZED PARTS SUPPLIED WITH D12.~~
5. A) FOR STANDARD VERSION USE SHEETS 1, 2, 3, & 4 OF THIS DWG.
 B) FOR YA VERSION USE SHEETS 1, 2, & 3 OF THIS DWG.
6. WIRES MUST NOT EXTEND BEYOND THE DIMENSIONS OF THE BOARD.
7. JUMPERS (W2, W3) ARE 1/2" EACH OF ITEM #97.



SEE COMPONENT CHART FOR YA VERSION REF DESIGNATIONS

REF	REF	X-Y COORDINATE HOLE LOCATION	K-CO-5411086-0-1	1
REF	REF	ASSY/DRILLING HOLE LAYOUT	D-AH-5411086-0-5	2
REF	REF	MODULE ECO HISTORY	B-MH-5411966-0-E	3
1	1	ETCHED CIRCUIT BOARD	5011085	4
0	1	C2	1000012	5
4	4	C18, C17, C18, C21	1000023	6
3	5	C3, C13, C19, C22, C23	1001610-01	7
1	3	C8, C12, C15	1002431	8
2	2	C8, C25	1002608	9
1	1	C20	1005725	10
4	4	C5, C7, C14, C24	1010274-01	11
0	1	C10	1010509-01	12
1	1	C1	1010851	13
1	2	D2, D19	1100122	14
0	1	D5	1100134	15
0	1	D3	1103341	16
7	8	D1, D6, D7, D8, D9, D15, D16, D22	1105275	17
1	2	D10, D17	1105648	19
0	1	D4	1105796	19
0	1	D12	1109440	20
0	1	D18	1110068	21
2	2	D28, D21	1110324	22
1	1	D11	1110714	23
2	2	D13, D14	1110925	24
0	1	F1	1205747	25
0	1	HEAT SINK	1211586	26
0	1	R23	1300202	27
0	2	R7, R40	1300229	28
0	1	R41	1300232	29
1	3	R4, R12, R49	1300271	30
0	1	R14	1300278	31
0	1	R11	1300348	32
2	2	R18, R20	1300365	33
0	1	R1	1300394	34
U	1	R10	1300420	35
1	1	R15	1300437	36
0	1	R3	1300439	37
2	2	R43, R47	1300449	39
U	1	R37	1301317	39
2	3	R2, R44, R48	1311401	40
0	1	R38	1301424	41
0	1	R16	1301868	42
1	1	R13	1301952	43
0	1	R9	1302253	44
2	2	R19, R21	1302394	45
0	1	R36	1302411	46
0	1	R39	1302685	47
1	1	R25	1303045	48
1	1	R8	1303062	49
1	2	R17, R28	1303114	50
1	1	R31	1303303	51
0	1	R42	1303312	52
2	2	R33, R34	1304854	53
1	1	R30	1304855	54

QTY	REF. DESIGNATION	ITEM
3	C19, C22, C23	7
1	C8	8
1	D19	14
7	D6, D7, D8, D9, D15, D16, D22	17
1	D10	18
1	R49	30
2	R44, R48	40
1	R28	50
4	Q3, Q5, Q10, Q19	63
4	Q11, Q12, Q13, Q16	66

IC TYPE	GND	+5V

GND AND 5V ARE USUALLY PIN 7 AND 14 RESPECTIVELY EXCEPTIONS ARE STATED ABOVE

REV	DATE	BY	CHK	CHANGE NO.
1	7-26-77	A. BARON		
2	10-27-74	S. CARTER		
3	11-14-77	V. BOAEN		
4	11-14-77	V. BOAEN		
5	11-14-77	V. BOAEN		
6	11-14-77	V. BOAEN		
7	11-14-77	V. BOAEN		
8	11-14-77	V. BOAEN		
9	11-14-77	V. BOAEN		
10	11-14-77	V. BOAEN		
11	11-14-77	V. BOAEN		
12	11-14-77	V. BOAEN		
13	11-14-77	V. BOAEN		
14	11-14-77	V. BOAEN		
15	11-14-77	V. BOAEN		
16	11-14-77	V. BOAEN		
17	11-14-77	V. BOAEN		
18	11-14-77	V. BOAEN		
19	11-14-77	V. BOAEN		
20	11-14-77	V. BOAEN		
21	11-14-77	V. BOAEN		
22	11-14-77	V. BOAEN		
23	11-14-77	V. BOAEN		
24	11-14-77	V. BOAEN		
25	11-14-77	V. BOAEN		
26	11-14-77	V. BOAEN		
27	11-14-77	V. BOAEN		
28	11-14-77	V. BOAEN		
29	11-14-77	V. BOAEN		
30	11-14-77	V. BOAEN		
31	11-14-77	V. BOAEN		
32	11-14-77	V. BOAEN		
33	11-14-77	V. BOAEN		
34	11-14-77	V. BOAEN		
35	11-14-77	V. BOAEN		
36	11-14-77	V. BOAEN		
37	11-14-77	V. BOAEN		
38	11-14-77	V. BOAEN		
39	11-14-77	V. BOAEN		
40	11-14-77	V. BOAEN		
41	11-14-77	V. BOAEN		
42	11-14-77	V. BOAEN		
43	11-14-77	V. BOAEN		
44	11-14-77	V. BOAEN		
45	11-14-77	V. BOAEN		
46	11-14-77	V. BOAEN		
47	11-14-77	V. BOAEN		
48	11-14-77	V. BOAEN		
49	11-14-77	V. BOAEN		
50	11-14-77	V. BOAEN		
51	11-14-77	V. BOAEN		
52	11-14-77	V. BOAEN		
53	11-14-77	V. BOAEN		
54	11-14-77	V. BOAEN		

FIRST USED ON OPTION MODEL

ETCH BOARD REV. C

DRN. DATE 10-27-74

CHKD. DATE 10-27-74

ENG. DATE 10-27-74

PROJ. ENG. DATE 10-27-74

PROD. DATE 10-27-74

NEXT HIGHER ASSY

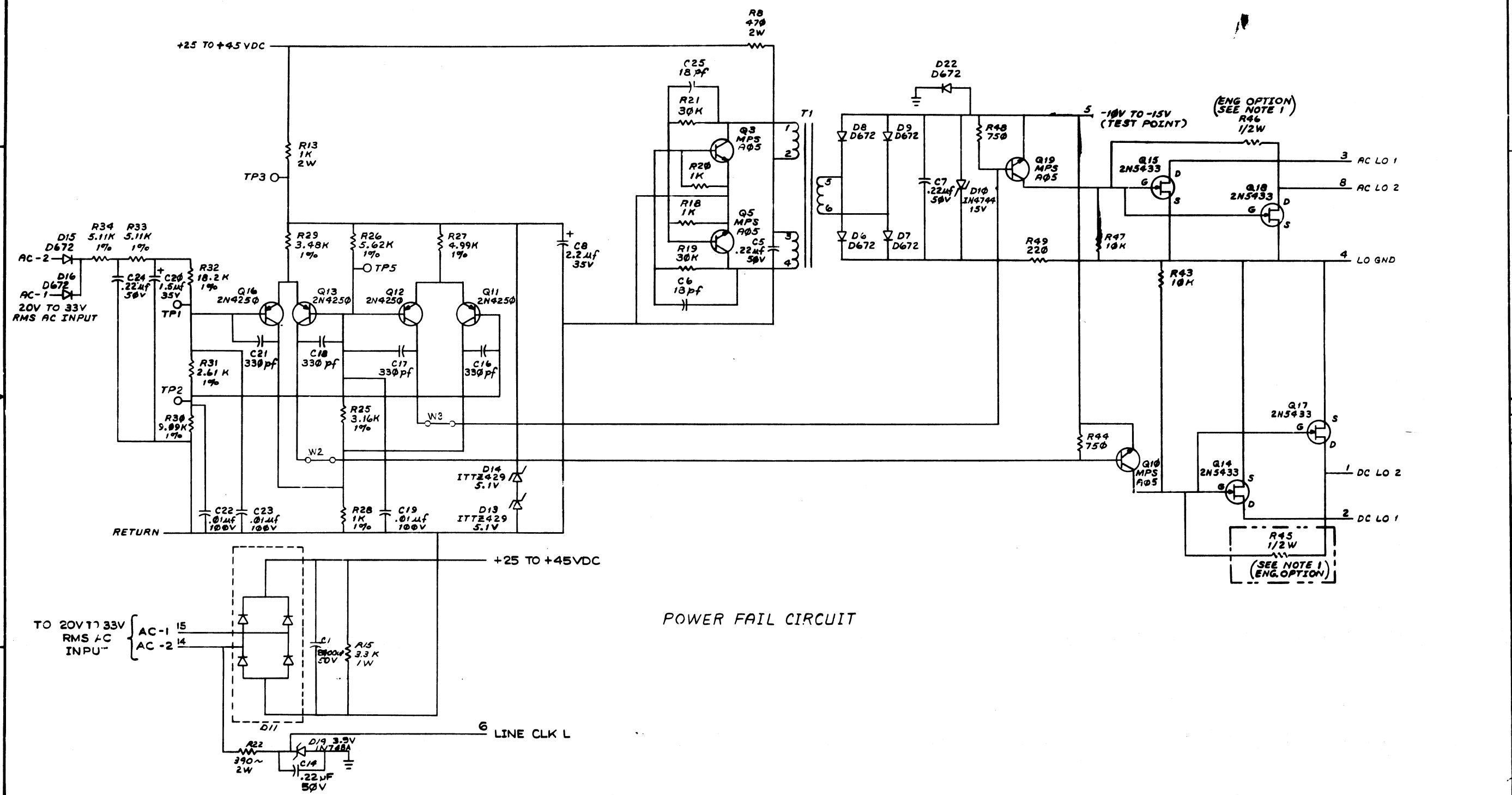
TITLE PWR. LINE MONITOR/15V REG.

SIZE CODE NUMBER REV. DCS 5411086-0-1 L

SCALE SHEET 1 OF 4

SEMICONDUCTOR CONVERSION CHART

THE DIMENSIONS AND SPECIFICATIONS HEREIN ARE THE PROPERTY OF GEORGE EASTMAN CORPORATION AND SHALL NOT BE REPRODUCED OR COPIED IN WHOLE OR IN PART AS THE BASIS FOR THE MANUFACTURE OR SALE OF OTHER EQUIPMENT WITHOUT PERMISSION. COPYRIGHT © 1974 GEORGE EASTMAN CORPORATION



POWER FAIL CIRCUIT

REVISIONS		
CHK	CHANGE NO.	REV.

8

7

6

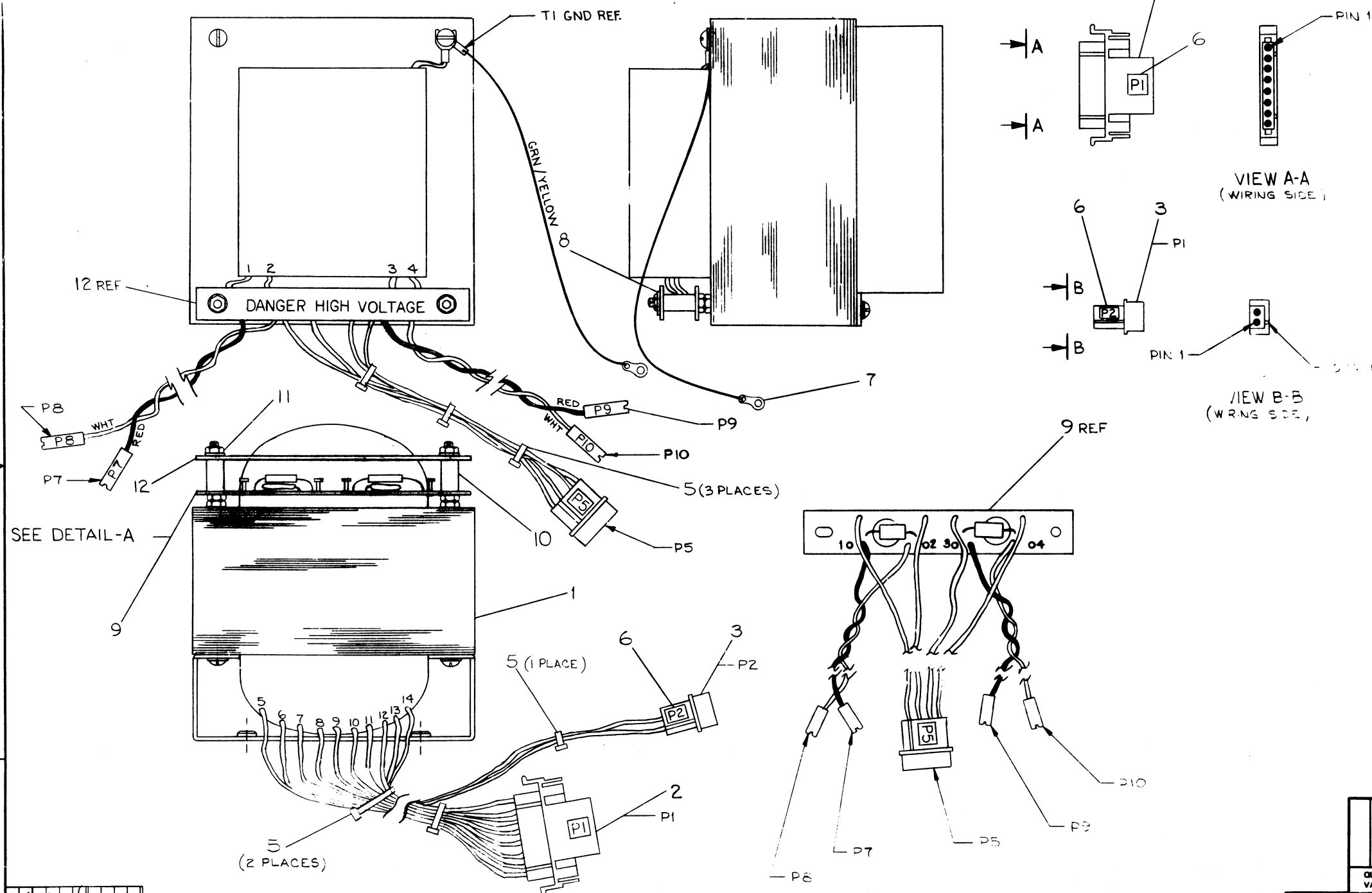
5

4

3

1

THIS DRAWING AND SPECIFICATIONS, HEREIN, ARE THE PROPERTY OF DIGITAL EQUIPMENT CORPORATION AND SHALL NOT BE REPRODUCED OR COPIED OR USED IN WHOLE OR IN PART AS THE BASIS FOR THE MANUFACTURE OR SALE OF ITEMS WITHOUT WRITTEN PERMISSION. COPYRIGHT © 1975, DIGITAL EQUIPMENT CORPORATION.



SEE DETAIL-A

DETAIL-A
ITEM-9

REF	TRANSFORMER ASSY PROCEDURE	QTY	ITEM NO.
1	COVER	1	13
2	NUT, KEP #10 32	1	12
2	SPACER, 3/8 O.D. X 1/2 LG	1	11
1	CAP MOV BOARD ASSY	1	10
2	WASHER, FLAT #37 X .218 ID	1	9
1	GROUND LUG	1	8
1	DECAL	1	7
1	CABLE TIES 5/16 L X 1/3 W	1	6
10	PIN, MALE	10	5
1	CONN., 2 PIN	1	4
1	CONN., 8 PIN	1	3
1	TRANSFORMER	1	2
		1	1

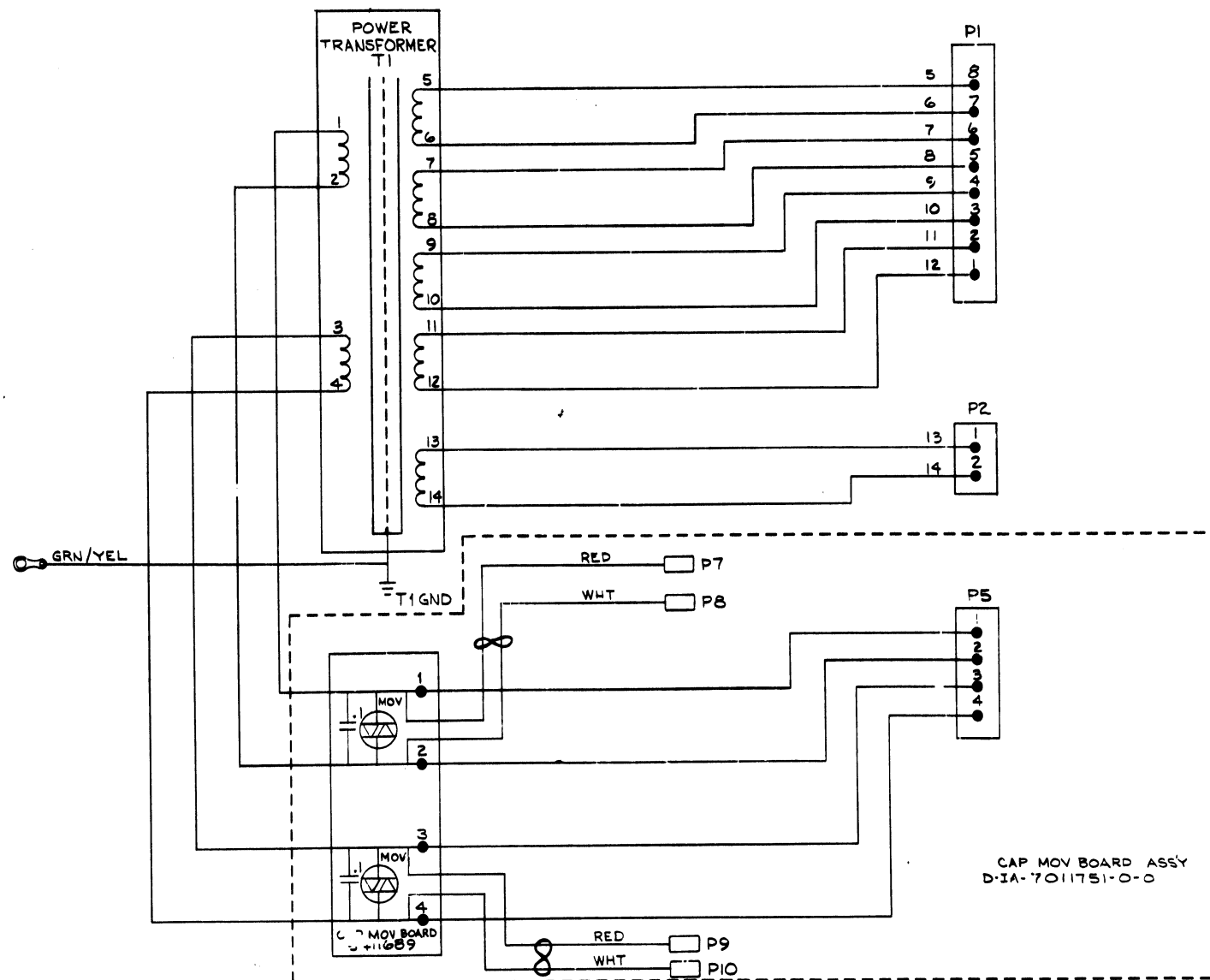
DESCRIPTION		QTY		DIM. PART NO.		ITEM NO.	
UNLESS OTHERWISE SPECIFIED DIMENSIONS ARE IN INCHES							
ANGLE 45° 30°	CLASS OF ACCURACY	1	2	3	4	5	6
SURFACE QUALITY	(CHECK ONE)	1	2	3	4	5	6
FINISH	MICRONS	1	2	3	4	5	6
QUANTITY & VARIATION	PREFERRED	1	2	3	4	5	6
THIRD ANGLE PROJECTION	DRN. T. <i>[Signature]</i>	FIRST USED ON		H782			
REMOVE BURRS AND BREAK SHARP CORNERS	CHK'D. <i>[Signature]</i>	TITLE		TRANSFORMER ASSY			
DO NOT SCALE DWG	ENGR. <i>[Signature]</i>	MATERIAL		D 0A-H782-0-0			
	PROG. <i>[Signature]</i>	SCALE		1/1			
		FINISH		SHEET 1 OF 2			
		SIZE CODE		D AD 7011486-0-0			

REV.	CHG.	NO.	DATE	BY	REASON
1	A	1	10-2-75	B. WOLF	INITIAL RELEASE
2	B	1	10-2-75	R. KENNEDY	REVISION

"THIS DRAWING AND SPECIFICATIONS HEREIN ARE THE PROPERTY OF DIGITAL EQUIPMENT CORPORATION AND SHALL NOT BE REPRODUCED OR COPIED OR USED IN WHOLE OR IN PART AS THE BASIS FOR THE MANUFACTURE OR SALE OF ITEMS WITHOUT WRITTEN PERMISSION. COPYRIGHT © 1975 DIGITAL EQUIPMENT CORPORATION"

WIRE TABLE

ITEM NO.	DESCRIPTION		FROM		TO		WIRE LENGTH
	AWG	COLOR	CONNECTION	WITH	CONNECTION	WITH	
1	14	BLK	T1-1	---	CAP MOV BD-1	SOLDER	1.5 IN
			T1-2	---	CAP MOV BD-2	SOLDER	2.0 IN
			T1-3	---	CAP MOV BD-3	SOLDER	2.0 IN
			T1-4	---	CAP MOV BD-4	SOLDER	1.5 IN
			T1-5	---	PI-8	ITEM 4	12.0 IN
			T1-6	---	PI-7		
			T1-7	---	PI-6		
			T1-8	---	PI-5		
			T1-9	---	PI-4		
			T1-10	---	PI-3		
			T1-11	---	PI-2		
			T1-12	---	PI-1	ITEM 4	
			T1-13	---	P2-1	ITEM 4	
1	14	BLK	T1-14	---	P2-2	ITEM 4	12.0 IN
1	14	GRN/YEL	T1-GND	---	GND LUG (ITEM 7)	SOLDER	16.0 IN



REVISIONS		
CHK	CHANGE NO	REV.

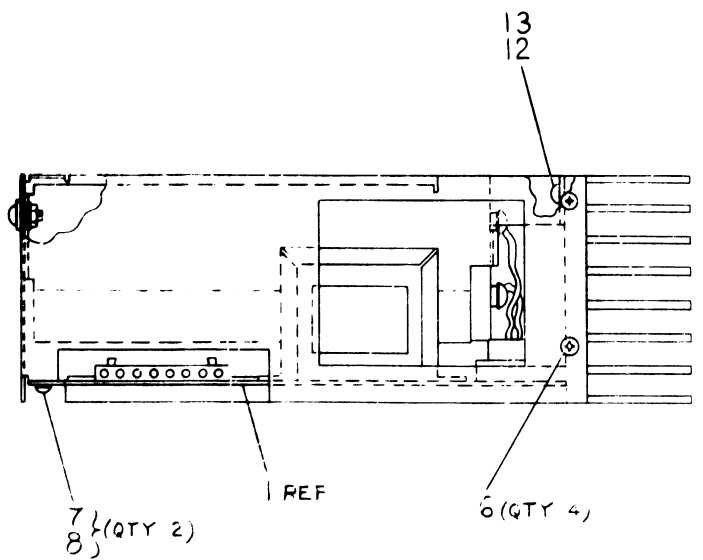
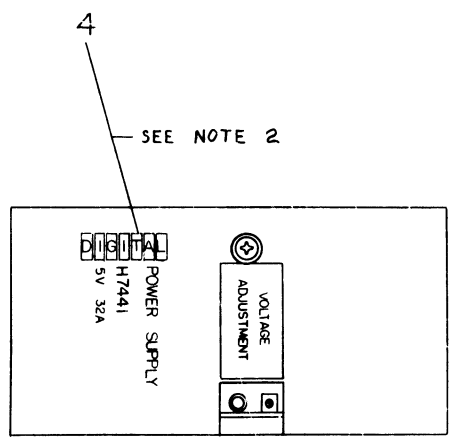
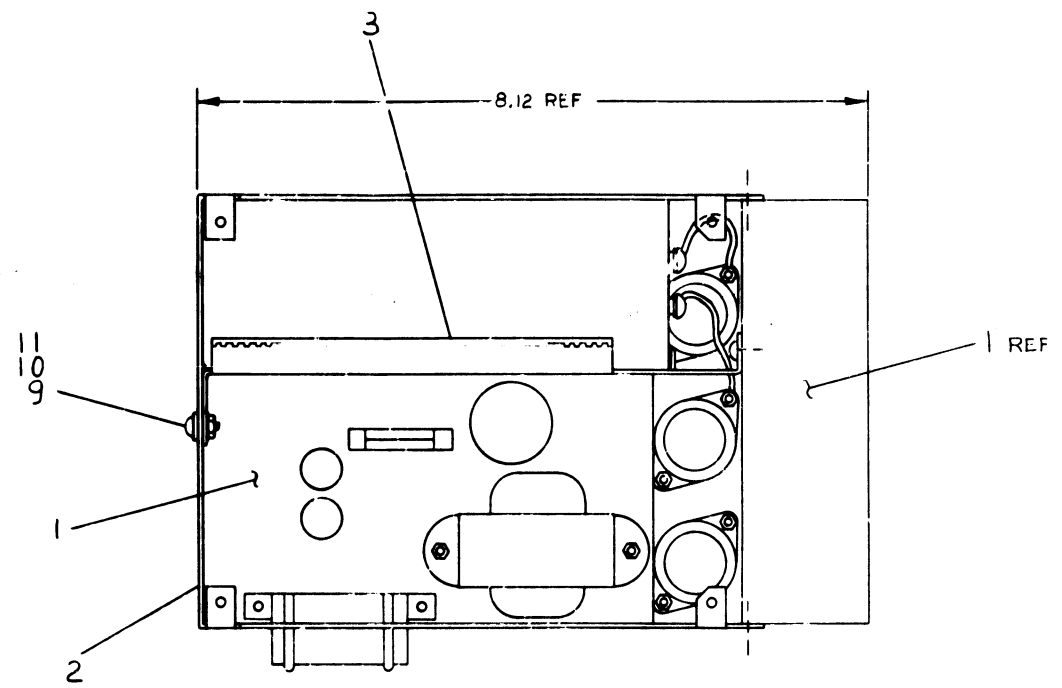
TITLE TRANSFORMER ASSY
 SCALE / / SHEET 2 OF 2
 SIZE CODE D
 NUMBER D-1A-7011486-0-0
 REV. B

REV. B
 PART 7011486-0-0



"THIS DRAWING AND SPECIFICATIONS, HEREIN, ARE THE PROPERTY OF DIGITAL EQUIPMENT CORPORATION AND SHALL NOT BE REPRODUCED OR COPIED OR USED IN WHOLE OR IN PART AS THE BASIS FOR THE MANUFACTURE OR SALE OF ITEMS WITHOUT WRITTEN PERMISSION. COPYRIGHT © 1976, DIGITAL EQUIPMENT CORPORATION"

NOTES:
~~1. ATTACH (RED) WIRE FROM ITEM (#1) REG. TO POSITIVE (+) TERM. OF CAPACITOR ITEM (#5).~~
~~ATTACH REMAINING (BLK) WIRE TO THE (-) TERMINAL OF THE CAP (ITEM 5).~~
 2. PEEL AND ATTACH ITEM 4 TO ITEM 2 AS SHOWN.



DESCRIPTION	DWG. PART NO.	ITEM NO.
1 WASHER, LOCK INT. TOOTH #6	9006633	13
1 SCR, PHL PAN HD. #6-32X.38	9006022-01	12
1 NUT, KEPS #6-32X.31	9006560	11
1 WASHER, FLAT #6	9006659	10
1 SCR, PHL PAN HD. #6-32X.31	9006021-01	9
2 WASHER FLAT #4	9008172	8
2 SCR, PHL PAN HD #4-40X.25	9008301-01	7
4 SCR, SELF TAPPING #4-40X.31	9009142-2	6
1 CAPACITOR, 24K, 50 VDC	1010702-00	5
1 DECAL	B-1A-7416945-10	4
1 BRACKET, CAPACITOR	D-1A-7417543-0-0	3
1 BRACKET, REGULATOR	D-1A-5309756-09	2
1 REGULATOR, +5V, 32 A	D-UA-5412441-0-0	1

QUANTITY & VARIATION		DESCRIPTION		DWG. PART NO.		ITEM NO.	
ANGLES	CLASS OF ACCURACY	UNLESS OTHERWISE SPECIFIED DIMENSIONS ARE IN INCHES					
10° 30'	(CHECK ONE)	OVER 0 TO 0.2	OVER 0.2 TO 1.2	OVER 1.2 TO 4.0	OVER 4.0 TO 12.0	OVER 12.0 TO 40.0	OVER 40.0 TO 80.0
SURFACE QUALITY	MEDIUM	±.004	±.008	±.012	±.016	±.024	±.04
IN	PREFERRED	±.012	±.016	±.024	±.04	±.08	±.01
MICROINCHES							

THIRD ANGLE PROJECTION

REMOVE BURRS AND BREAK SHARP CORNERS

DO NOT SCALE DWG

MATERIAL SEE PARTS LIST

FINISH

DRN. *R. Day* 1/27/76

CHK'D. *R. Day* 2/23/76

ENG. *R. Day*

PROJ. ENG. *R. Day*

PROD. *R. Day*

NEXT HIGHER ASSY.

SIZE CODE D UA

SCALE NONE

SHEET 1 OF 1

FIRST USED ON 1134A

TITLE H7441 UNIT ASSY

NUMBER H7441-0-0

REV.

REV.	CHANGE NO.	DATE	BY	REASON
A	H7441-00001	31 JAN 77	R. DAY	REVISED
B	H7441-00003	13 FEB 77	D. ZWICKER	REVISED
C	H7441-00004	13 FEB 77	B. GIST	REVISED
D	H7441-00005	13 FEB 77	E. CROCKER	REVISED

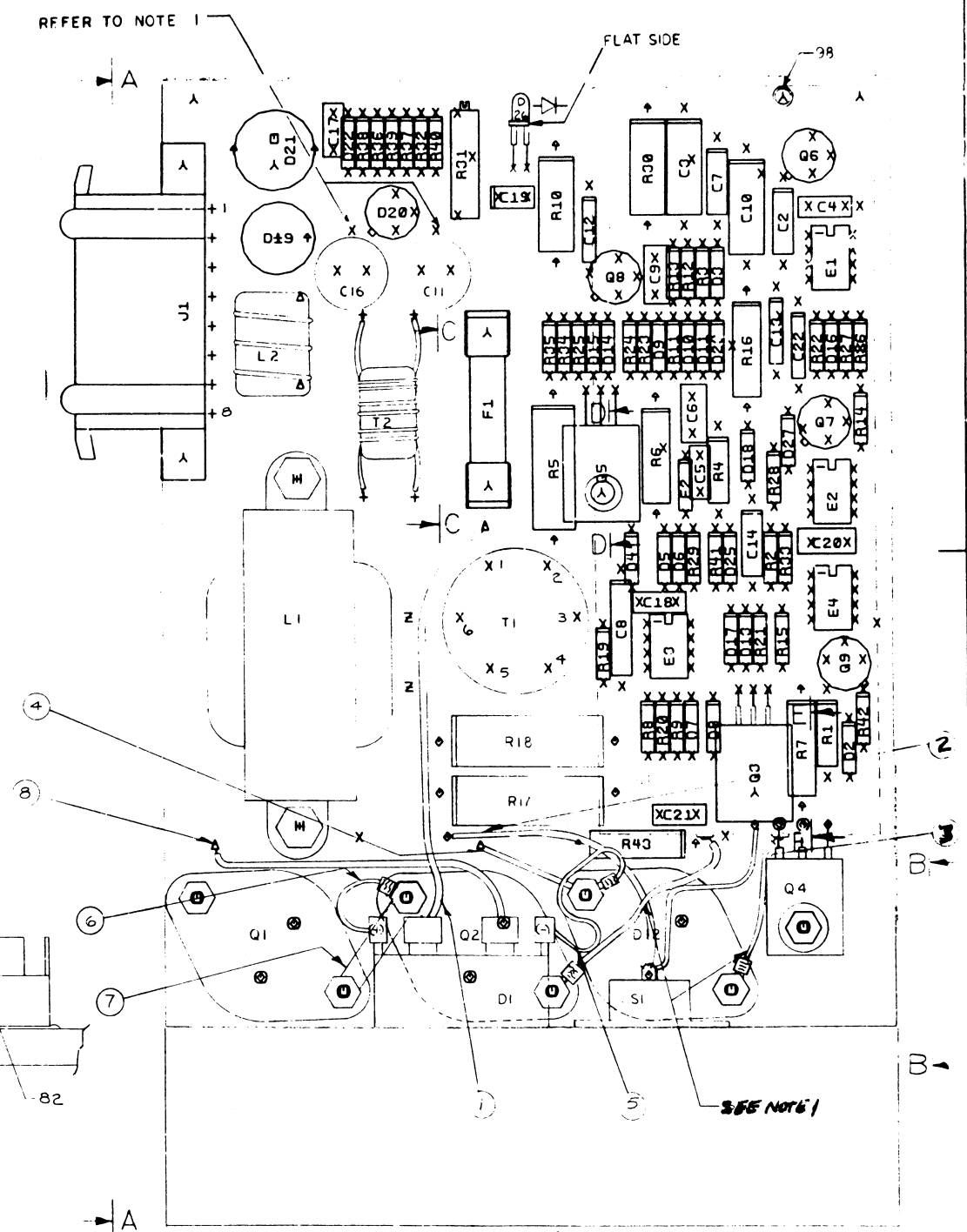
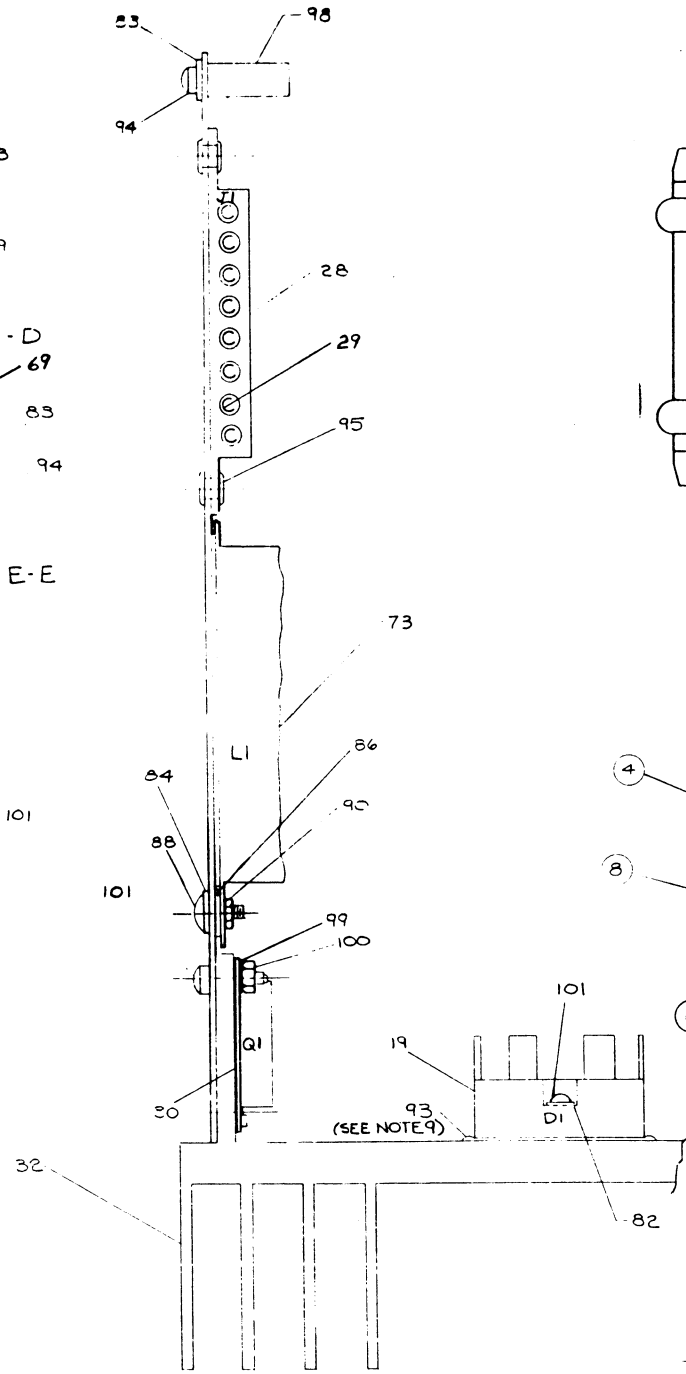
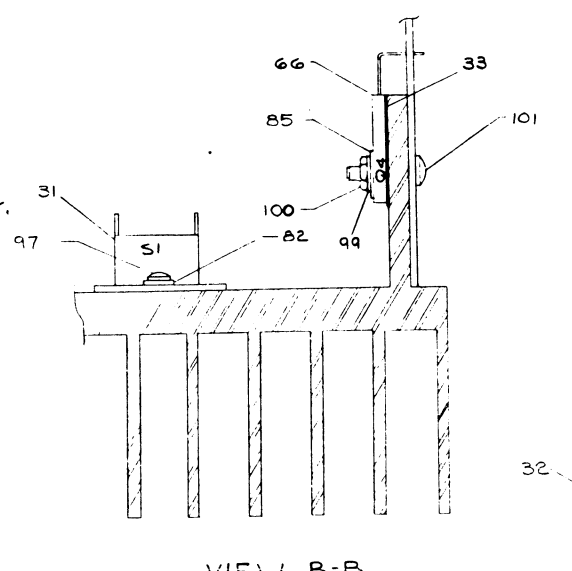
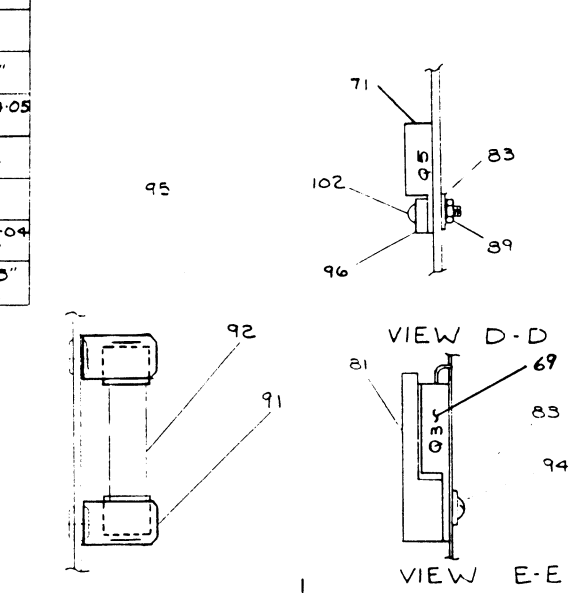
THIS DRAWING AND SPECIFICATIONS, HEREIN, ARE THE PROPERTY OF ORSITA ELECTRONIC CORPORATION AND SHALL NOT BE REPRODUCED OR COPIED IN WHOLE OR IN PART AS THE BASIS FOR THE MANUFACTURE OR SALE OF ITEMS EXCEPT BY THE AUTHORITY OF ORSITA ELECTRONIC CORPORATION.

COMPONENT SIDE VIEW

WIRE & BUS STRAP RUNS

NO	FROM	TO	WIRE OR BUS LENGTH
①	FEEDTHRU AT F1	TERMINAL D1	#14 AWG 4" SEE NOTE 3
②	S1	FEEDTHRU SHOWN	#18 AWG 3"
③	S1	FEEDTHRU SHOWN	#18 AWG 2.5"
④	D12	FEEDTHRU SHOWN	DEC PT. #1214074-05 SEE NOTE 4
⑤	TERMINAL D1	D12	#14 AWG 3" SEE NOTE 5
⑥	TERMINAL D1	Q2	#14 AWG 2" SEE NOTE 6
⑦	Q2	Q1	DEC PT. #1214074-04 SEE NOTE 7
⑧	TERMINAL D1	FEEDTHRU SHOWN	#14 AWG 2.75" SEE NOTE 2

- NOTES:
1. MOUNT WIRES PER I.A. DRAWING NO. IA 7013274. RED WIRE TO CASE Q2 AND POSITIVE TERMINAL C1 & BLACK WIRE TO CASE D12 AND NEGATIVE TERMINAL C1.
 2. WIRE RUN ② IS SOLDERED AT D1.
 3. WIRE RUN ① IS SOLDERED AT D1.
 4. STRAP ④ (ITEM #26) IS SOLDERED AT FEEDTHROUGH SHOWN AND MOUNTED UNDER RING LUG OF D12.
 5. WIRE RUN ⑤ IS SOLDERED AT D1 AND CRIMPED TO RING LUG ITEM #87 OF D12.
 6. WIRE RUN ⑥ IS SOLDERED AT D1 AND CRIMPED TO RING LUG ITEM #87 OF Q2.
 7. BUS STRAP ⑦ (ITEM #25) IS MOUNTED UNDER RING LUG OF Q2 AND ON CASE OF Q1.
 8. TORQUE HARDWARE ON Q1, Q2, Q4 AND D12 TO 5 INCH-LBS. FROM NUT SIDE ONLY. TORQUE OTHER HARDWARE TO DEC STD. VALUES.
 9. APPLY THERMAL COMPOUND TO D1 (ITEM 19) ONLY.



NOTES:

1. INDICATED DRILL POINTS AT C11 AND C16 SHOULD NOT BE USED FOR DRILL ALIGNMENT DURING MANUFACTURE. THESE OVERSIZED PADS WILL NOT CENTER WITH DRILL BORING.

CHANGE NO	REV	DATE	BY	CHK'D
1	1	12/1/77	BIGIST	
2	1	12/1/77	BIGIST	
3	1	12/1/77	BIGIST	
4	1	12/1/77	BIGIST	
5	1	12/1/77	BIGIST	
6	1	12/1/77	BIGIST	
7	1	12/1/77	BIGIST	
8	1	12/1/77	BIGIST	
9	1	12/1/77	BIGIST	
10	1	12/1/77	BIGIST	

ETCH REV. P	P.C. DESIGN DATA BASE REV. B-P4
-------------	---------------------------------

SIGNATURES	DATE	TITLE
DRN. B. J. [Signature]	5/20/77	digital
CHK'D. [Signature]	6/25/77	
ENG. [Signature]	1/1/77	
PROJ. ENG. [Signature]	1/1/77	
PROD. [Signature]	1/1/77	
SCALE 2/1	SIZE CODE 0	NUMBER UA
SHT. 1 OF 3		5412441-2-0
NEXT HIGHER ASSY. B-DD-5412441-0		

LINE	ITEM	DOCUMENT NO.	PART NO.	DESCRIPTION	QTY	REFERENCE DESIGNATORS
1	1	D-MD-5012440-0-0	5012440-00	5412441	1	
2	2		1000009-00	33.0 MMF 100V 5X200PPM DM15S (10-00	1	C20
3	3		1000021-00	220.0 MMF 100V 5X200PPM DM15S (10-00	1	C9
4	4		1001610-01	.01 MFD 100V DR 50V Z5U DISC/800PF MIN	5	C4,C5,C17,C18,C21
5	5		1002627-00	2.2MFD 20V 10% 150D S.TA (10	2	C2,C7
6	6		1004813-00	10 MFD 20V 10% 150D S.TA (10-00	1	C8
7	7		1010279-00	.47 MFD 25V 20% 2C023 CER.	1	C19
8	8		1010646-00	.015 MFD 50V 2% M.POLYCARB	2	C3,C10
9	9		1010702-00	24,000 MFD 50V GX 36D AL EL	1	C1
10	10		1012607-00	560 MFD 20V HX 672D AL EL	1	C11
11	11		1012607-01	1200 MFD 6.3V HX 672D AL EL	1	C16
12	12		1009964-00	.68 MFD 35V 10% 150D S.TA	1	C12
13	13		1001776-00	1 MFD 35V 10% 150D S.TA (10-00	3	C13,C14,C22
14	14		1000024-00	470.0 MMF 100V 5X200PPM DM15S (10-00	1	C6
15	15		1105508-00	1N 823 VZ= 6.2 5% .40W Y	1	D18
16	16		1102808-00	1N 752A VZ= 5.6 5% .40W P	1	D22
17	17		1103341-00	MR1033B PIV=300 I= 3A Z44 SM	1	D19
18	18		1105275-00	D 672 TR= 15NS FIV= 60V SP	15	D3-D6,D9-D11,D13-D17,D23,D25,
					CONT	D27
19	19		1110051-00	DM 16 ASSY@200V & 25A @990-3	1	D1
20	20		1110324-00	LED 1MCD@10MA @MV5054-1@HP4882	1	D26
21	21		1110836-00	1N 759A VZ= 12.0 5% .40W P	1	D2
22	22		1110968-00	2N 5062 SCR@100V I=.8A T092	1	D20
23	23		1112595-01	A114B PIV=200 I= 1A	2	D7,D8
24	24		1113496-00	UES602R PIV=100 I=30A T03	1	D12
25	25		1214074-04	STRAP,THERMAL 2 HOLE	1	
26	26		1214074-05	STRAP,THERMAL LUG .815	1	
27	27		1209070-00	FUSE, SUB-MINI, 5.000A, 125V, RADIAL LEAD	1	F2
28	28		1209340-00	MATE-N-LOK 8PIN,HOUSING,SKT	1	J1
29	29		1209456-01	MATE-N-LOK SKT PCB TAB LOOSE	8	

REVISION HISTORY			VARIATIONS FOR THIS ASSY.		FIRST USED ON:		DIGITAL EQUIPMENT CORPORATION MAYNARD, MASSACHUSETTS				
CHK	ECO NO	REV			MADE BY:	DATE:	TITLE	SIZE	CODE	DOCUMENT NUMBER	REV
SC	00008	J		00	D.SIREEN	10-MAR-78	PARTS LIST				
					F.GAROFALO	10-MAR-78	+5V 32 AMP REGULATOR				
					R.DAY	10-MAR-78					
					R.B.KING	10-MAR-78		K	PL	5412441-0-0	J
					R.DAY	10-MAR-78					EDIT#
										D-UA-5412441-0-0	6

THIS DRAWING AND SPECIFICATIONS HEREIN, ARE THE PROPERTY OF DIGITAL EQUIPMENT CORPORATION AND SHALL NOT BE REPRODUCED OR COPIED OR USED IN WHOLE OR IN PART AS THE BASIS FOR THE MANUFACTURE OR SALE OF ITEMS WITHOUT WRITTEN PERMISSION.
COPYRIGHT 1978. DIGITAL EQUIPMENT CORP OFATION

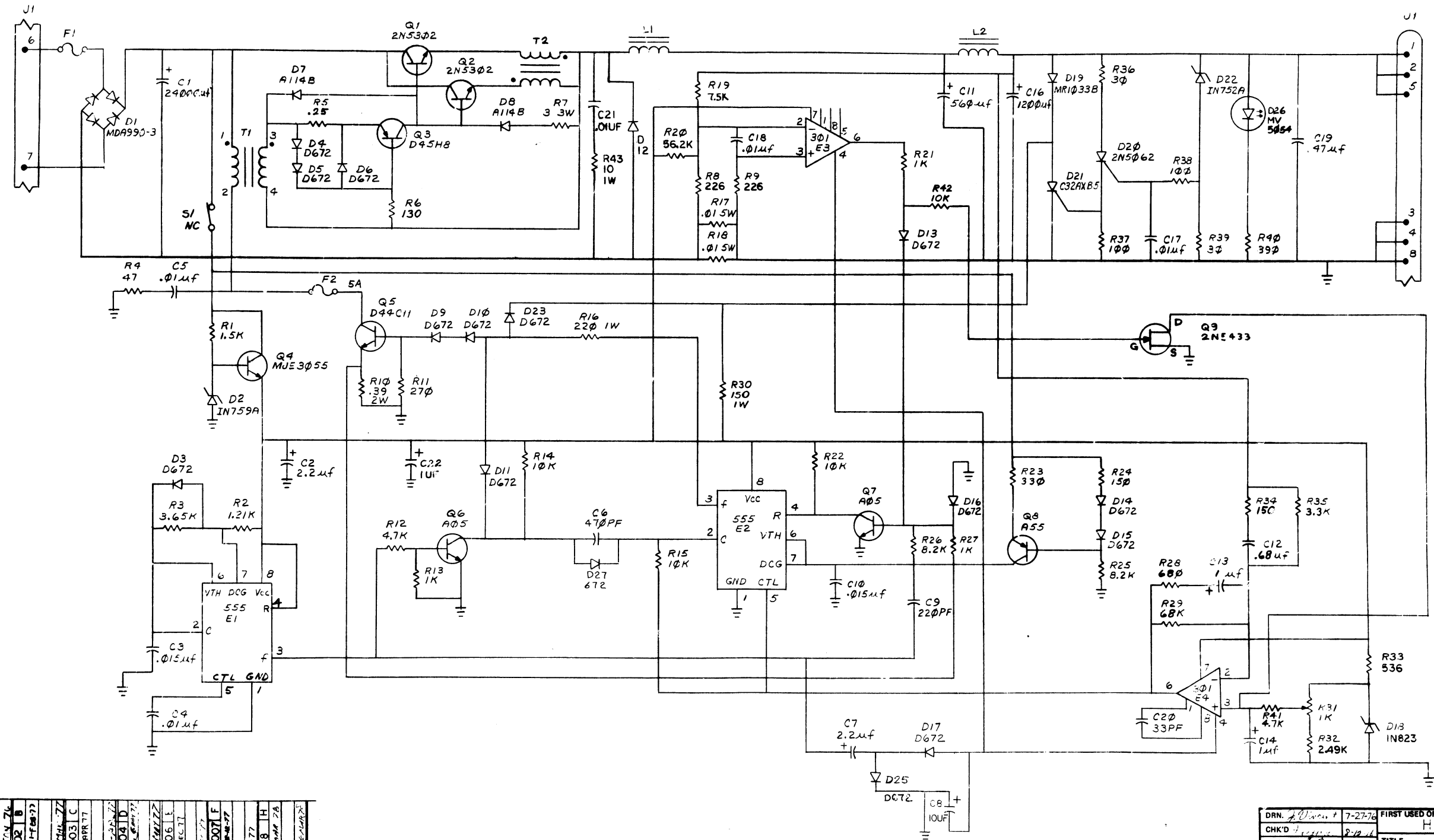
LINE	ITEM	DOCUMENT NO.	PART NO.	DESCRIPTION	QTY	REFERENCE DESIGNATORS
30	30		1213071-02	INSULATOR,RUBBER SILICONE SM	3	
31	31		1212787-00	THERMOSTAT,00212,C0182,NC	1	S1
32	32		1210737-02	HEAT SINK,REGULATOR	1	
33	33		1213071-06	INSULATOR,RUBBER SILICONE	1	
34	34		1312626-00	2.49 K 1/4W 1% RN55D-F 100PPM	(13-00)	1 R32
35	35		1300229-00	100 1/4W 5% CC	(13-00)	2 R37,R38
36	36		1300250-00	150 1/4W 5% CC	(13-00)	2 R24,R34
37	37		1305322-00	7.5 K 1/4W 1% RN55D-F 100PPM	(13-00)	1 R19
38	38		1300295-00	330 1/4W 5% CC	(13-00)	1 R23
39	39		1301424-00	680 1/4W 5% CC	(13-00)	1 R28
40	40		1301327-00	68 K 1/4W 5% CC	(13-00)	1 R29
41	41		1300439-00	3.3 K 1/4W 5% CC	(13-00)	1 R35
42	42		1310219-00	.25 3W 1% WW	(13-00)	1 R5
43	43		1300248-00	130 1W 5% CC	(13-00)	1 R6
44	44		1302644-00	226 1/4W 1% RN55D-F 100PPM	(13-00)	2 R8,R9
45	45		1300277-00	220 1W 10% CC	(13-00)	1 R16
46	46		1300309-00	390 1/4W 5% CC	(13-00)	1 R40
47	47		1312922-00	536 1/4W 1% RN55D-F 100PPM	(13-00)	1 R33
48	48		1300365-00	1 K 1/4W 5% CC	(13-00)	3 R13,R21,R27
49	49		1300394-00	1.5 K 1/2W 5% CC	(13-00)	1 R1
50	50		1300447-00	4.7 K 1/4W 5% CC	(13-00)	2 R12,R41
51	51		1300479-00	10 K 1/4W 5% CC	(13-00)	4 R14,R15,R22,R42
52	52		1301695-00	47 1/2W 5% CC	(13-00)	1 R4
53	53		1301972-00	270 1/4W 5% CC	(13-00)	1 R11
54	54		1312747-00	56.2 K 1/4W 1% RN55D-F 100PPM	(13-00)	1 R20
55	55		1302751-00	30 1/4W 5% CC	(13-00)	2 R36,R39
56	56		1302871-00	1.21 K 1/4W 1% RN55D-F 100PPM	(13-00)	1 R2
57	57		1303179-00	8.2 K 1/4W 5% CC	(13-00)	2 R25,R26
58	58		1305337-00	3.65 K 1/4W 1% RN55D-F 100PPM	(13-00)	1 R3
59	59		1309143-07	1 K 3/4W10% POT 100PPM		1 R31
60	60		1310868-00	.39 2W 5% WW	(13-00)	1 R10
61	61		1313712-00	.01 5W 3% WW	(13-00)	2 R17,R18
62	62		1312682-00	3 3W 5%	(13-00)	1 R7
63	63		1300256-00	150 1W 10% CC	(13-00)	1 R30
64	64		1300171-00	10 1W 5% CC	(13-00)	1 R43
65	65		1510196-00	2N 5302/HSNPN 200WC SI 60 40 M		2 Q1,Q2
66	66		1510555-00	MJE3055 NPN 90WC SI 60 20 Y		1 Q4
67	67		1510705-00	XA 05 NPN 500MW SI 60 50 P		2 Q6,Q7
68	68		1510706-00	XA 55 PNP 500MW SI 60 50 P		1 Q8
69	69		1510708-00	D 45H8 PNP 50WT SI 60 60 Y		1 Q3
70	70		1510928-00	C32AX135 SCR@100V I=25A		1 D21
71	71		1512790-00	D 44C11 NPN 30W SI 80 40		1 Q5
72	72		1511686-00	DECS433 FET N 350MW 10 25 1A 20U		1 Q9
73	73		1612584-00	50 UH 30A		1 L1
74	74		1612592-00	PULSE XFMR,RATIO 4:1		1 T1
75	75		1613713-00	CHOKER, 5 UH 32A		1 L2
76	76		1613714-00	2 UH 20A		1 T2
77	77		1910282-00	301AN OP AMP		2 E3,E4

DIGITAL EQUIPMENT CORPORATION MAYNARD, MASSACHUSETTS	TITLE +5V 32 AMP REGULATOR	PARTS LIST	SIZE K	CODE PL	DOCUMENT NUMBER 5412441-0-0	REV J
---	-------------------------------	------------	-----------	------------	--------------------------------	----------

LINE ITEM	DOCUMENT NO.	PART NO.	DESCRIPTION	QTY	REFERENCE DESIGNATORS
78	78	1911944-00	555CN TIMER,FUNCT.BLOCK	2	E1,E2
79	79	7013274-00	JUMPER CAP TRAWS	1	
80	80	7013274-01	JUMPER CAP TRAWS	1	
81	81	7414765-00	HEATSINK	1	
82	82	9006633-00	WASHER,LOCK,INT,.280OD X .146ID X .018 THK	3	
83	83	9008172-00	WASHER, FLAT,SS .250 OD X .125 ID X .022 T	3	
84	84	9006660-00	WASHER, FLAT, .375 O.D. X .187 I.D. X .036	2	
85	85	9006653-00	WASHER, FLAT, .375 O.D. X .156 I.D. X .036	1	
86	86	9008082-00	WASHER, FLAT, FIBER OD: 1/2	2	
87	87	9007927-00	TERM RING 1POS INSULATED,16-14AWG,ROLL	2	
88	88	9006037-03	SCREW,TRUS,PHIL, 8-32X 3/8 SS/PAS	2	
89	89	9006557-00	NUT,KEP , 4-40X 1/4 AF CS	1	
90	90	9006563-00	NUT,KEP , 8-32 X11/32AF CS	2	
91	91	9007203-00	CLIP, FUSE, WITH STOP, SCREW MOUNTED	2	
92	92	9007226-00	FUSE, REG BLOW, 15.000A, 32V, GLASS	1	F1
93	93	9008268-00	COMPOUND, THERMAL JOINT	A/R	
94	94	9006012-01	SCREW,PAN ,PHIL, 4-40X 7/16 SS/PAS	2	
95	95	9009000-00	EYELET, ROLLED FLANGE, .121 OD X .156 LG	4	
96	96	9009769-00	WASHER, RECTANGULAR .405X.225X.060	1	
97	97	9006021-01	SCREW,PAN ,PHIL, 6-32X 5/16 SS/PAS	2	
98	98	9007660-00	SPACER, FIBER, RND, 4-40, .250 X .500 LG	1	
99	99	9007801-00	WASHER, LOCK, S.S. #6	7	
100	100	9008957-00	NUT,HEX , 6-32X 1/4 AF X 3/32 THK SS	7	
101	101	9007793-01	SCREW,PAN ,PHIL, 6-32X 9/16 SS/PAS	8	
102	102	9006010-01	SCREW,PAN ,PHIL, 4-40X 5/16 SS/PAS	1	
103	103	9107360-99	WIRE,STRND,18AWG,IPVC UL1429 (91-00 A/R		
104	104	9107370-00	WIRE,STRND,14AWG,IPVC UL1534 (91-00 A/R		

DIGITAL EQUIPMENT CORPORATION MAYNARD, MASSACHUSETTS	TITLE PARTS LIST +5V 32 AMP REGULATOR	SIZE K	CODE PL	DOCUMENT NUMBER 5412441-0-0	REV J
---	---	-----------	------------	--------------------------------	----------

THIS DRAWING AND SPECIFICATIONS, HEREIN, ARE THE PROPERTY OF DIGITAL EQUIPMENT CORPORATION AND SHALL NOT BE REPRODUCED OR COPIED OR USED IN WHOLE OR IN PART AS THE BASIS FOR THE MANUFACTURE OR SALE OF ITEMS WITHOUT WRITTEN PERMISSION OF DIGITAL EQUIPMENT CORPORATION. COPYRIGHT © 1976, DIGITAL EQUIPMENT CORPORATION.



REV.	CHG.	BY	DATE	DESCRIPTION
1		R. DAY	7-27-76	INITIAL DESIGN
2		R. DAY	8-10-76	REVISED FOR MANUFACTURE
3		R. DAY	8-10-76	REVISED FOR MANUFACTURE
4		R. DAY	8-10-76	REVISED FOR MANUFACTURE
5		R. DAY	8-10-76	REVISED FOR MANUFACTURE
6		R. DAY	8-10-76	REVISED FOR MANUFACTURE
7		R. DAY	8-10-76	REVISED FOR MANUFACTURE
8		R. DAY	8-10-76	REVISED FOR MANUFACTURE
9		R. DAY	8-10-76	REVISED FOR MANUFACTURE
10		R. DAY	8-10-76	REVISED FOR MANUFACTURE
11		R. DAY	8-10-76	REVISED FOR MANUFACTURE
12		R. DAY	8-10-76	REVISED FOR MANUFACTURE
13		R. DAY	8-10-76	REVISED FOR MANUFACTURE
14		R. DAY	8-10-76	REVISED FOR MANUFACTURE
15		R. DAY	8-10-76	REVISED FOR MANUFACTURE
16		R. DAY	8-10-76	REVISED FOR MANUFACTURE
17		R. DAY	8-10-76	REVISED FOR MANUFACTURE
18		R. DAY	8-10-76	REVISED FOR MANUFACTURE
19		R. DAY	8-10-76	REVISED FOR MANUFACTURE
20		R. DAY	8-10-76	REVISED FOR MANUFACTURE
21		R. DAY	8-10-76	REVISED FOR MANUFACTURE
22		R. DAY	8-10-76	REVISED FOR MANUFACTURE
23		R. DAY	8-10-76	REVISED FOR MANUFACTURE
24		R. DAY	8-10-76	REVISED FOR MANUFACTURE
25		R. DAY	8-10-76	REVISED FOR MANUFACTURE
26		R. DAY	8-10-76	REVISED FOR MANUFACTURE
27		R. DAY	8-10-76	REVISED FOR MANUFACTURE
28		R. DAY	8-10-76	REVISED FOR MANUFACTURE
29		R. DAY	8-10-76	REVISED FOR MANUFACTURE
30		R. DAY	8-10-76	REVISED FOR MANUFACTURE
31		R. DAY	8-10-76	REVISED FOR MANUFACTURE
32		R. DAY	8-10-76	REVISED FOR MANUFACTURE
33		R. DAY	8-10-76	REVISED FOR MANUFACTURE
34		R. DAY	8-10-76	REVISED FOR MANUFACTURE
35		R. DAY	8-10-76	REVISED FOR MANUFACTURE
36		R. DAY	8-10-76	REVISED FOR MANUFACTURE
37		R. DAY	8-10-76	REVISED FOR MANUFACTURE
38		R. DAY	8-10-76	REVISED FOR MANUFACTURE
39		R. DAY	8-10-76	REVISED FOR MANUFACTURE
40		R. DAY	8-10-76	REVISED FOR MANUFACTURE
41		R. DAY	8-10-76	REVISED FOR MANUFACTURE
42		R. DAY	8-10-76	REVISED FOR MANUFACTURE
43		R. DAY	8-10-76	REVISED FOR MANUFACTURE
44		R. DAY	8-10-76	REVISED FOR MANUFACTURE
45		R. DAY	8-10-76	REVISED FOR MANUFACTURE
46		R. DAY	8-10-76	REVISED FOR MANUFACTURE
47		R. DAY	8-10-76	REVISED FOR MANUFACTURE
48		R. DAY	8-10-76	REVISED FOR MANUFACTURE
49		R. DAY	8-10-76	REVISED FOR MANUFACTURE
50		R. DAY	8-10-76	REVISED FOR MANUFACTURE

DRN. 7-27-76	FIRST USED ON 7-27-76
CHK'D 8-10-76	H7441
ENG. 8-10-76	TITLE +5V 32 AMP REGULATOR
PROJ. ENG. 8-10-76	NUMBER CS 5412441-0-1
PROD. 8-10-76	REV. H
NEXT HIGHER ASSY.	SCALE
SHEET 1 OF 1	DIST.

"THE MATERIAL HEREIN IS FOR INFORMATION PURPOSES ONLY AND IS SUBJECT TO CHANGE WITHOUT NOTICE. DIGITAL EQUIPMENT CORPORATION ASSUMES NO RESPONSIBILITY FOR ANY ERRORS WHICH MAY APPEAR HEREIN."

FIELD MAINTENANCE PRINT SET

"THIS DRAWING AND SPECIFICATIONS, HEREIN, ARE THE PROPERTY OF DIGITAL EQUIPMENT CORPORATION AND SHALL NOT BE REPRODUCED OR COPIED OR USED IN WHOLE OR IN PART AS THE BASIS FOR THE MANUFACTURE OR SALE OF ITEMS WITHOUT WRITTEN PERMISSION. COPYRIGHT © 1977, DIGITAL EQUIPMENT CORPORATION."

TABLE OF CONTENTS

B-TC-7014251-0-1	7014251 REGULATOR BATTERY BACK UP (TC)
E-UA-7014251-0-0	7014251 REGULATOR BATTERY BACK UP
E-UA-5413075-0-0	MK11 POWER SUPPLY BATTERY BACK UP REGULATOR
B-PL-5413075-0-0	MK11 POWER SUPPLY BATTERY BACK UP REGULATOR (PL)
D-CS-5413075-0-1	MK11 POWER SUPPLY BATTERY BACK UP REGULATOR (CS)
E-UA-5413073-0-0	MK11 POWER SUPPLY CONTROL
B-PL-5413073-0-0	MK11 POWER SUPPLY CONTROL (PL)
D-CS-5413073-0-0	MK11 POWER SUPPLY CONTROL (CS)
D-UA-5412411-0-0	INPUT RECTIFIER BOARD
B-PL-5412411-0-0	INPUT RECTIFIER BOARD (PL)
D-CS-5412411-0-1	INPUT RECTIFIER BOARD (CS)

UNIT VARIATIONS COVERED BY THIS PRINT SET

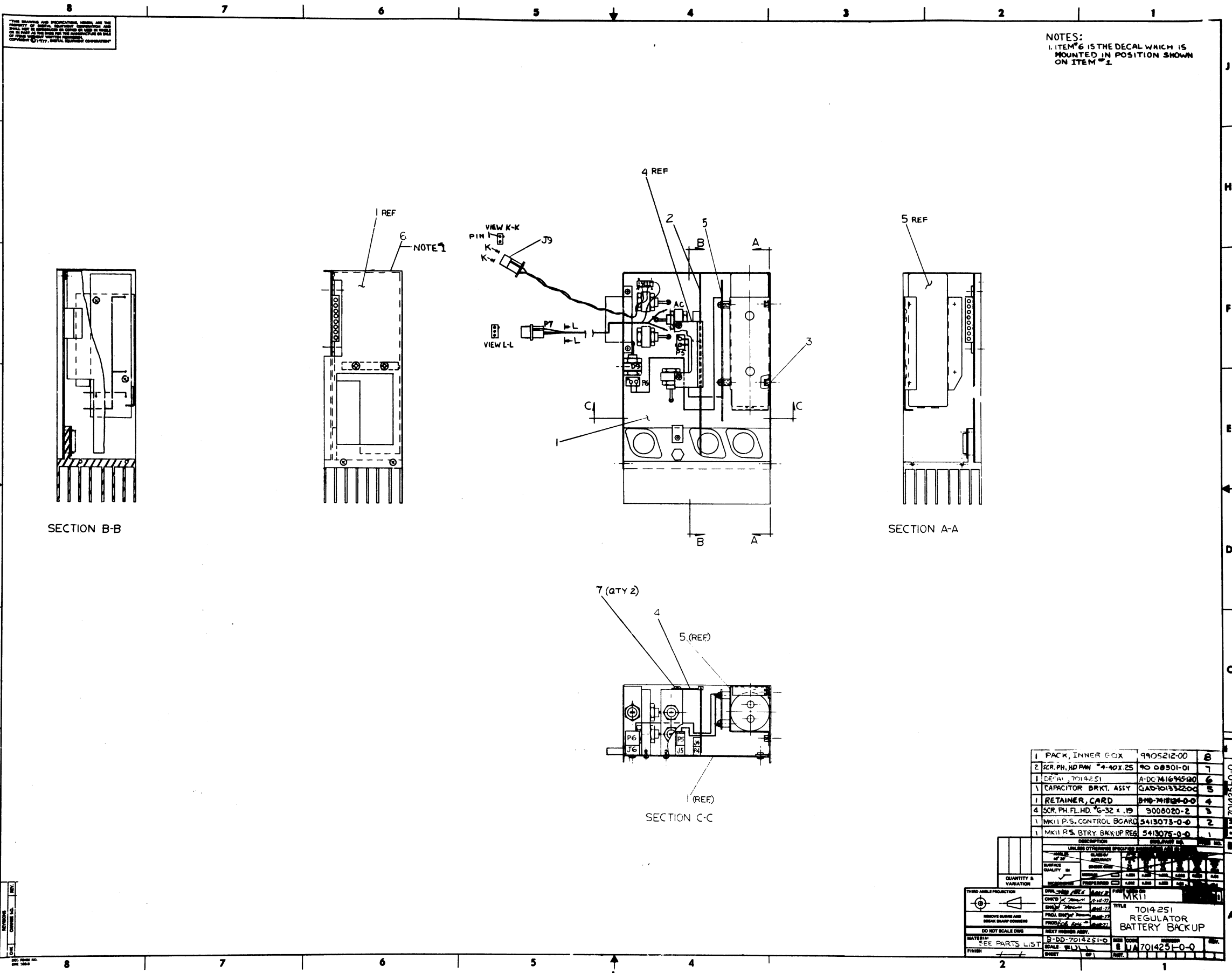
MK11

7014251-0
**Field Maintenance
 Print Set**

**Digital Equipment
 Corporation**

PRINT SET ORDER NO.
 MP00555

REVISIONS	REV.		USED ON OPTION/MODEL	DRN.	DATE	TITLE: 7014251 REGULATOR BATTERY BACK UP	digital				
	CHG. NO.			MK11	D. HEALY						DEC 77
					CHK'D						DATE
					D. HEALY						DEC 77
				PROJ. ENG.	DATE	SIZE	CODE	NUMBER	REV.		
DATE				<i>Joe Mercanti</i>	Dec 77	B	TC	7014251-0-1			
				FIELD SERV.	DATE	DIST.					
			SHEET I OF 1	<i>Dwight</i>	21 Dec 77						



THIS DRAWING AND SPECIFICATIONS HEREAFTER ARE THE PROPERTY OF MILITARY ELECTRONIC CORPORATION AND ARE TO BE KEPT IN CONFIDENCE AT ALL TIMES. IT IS TO BE USED ONLY FOR THE PURPOSES AUTHORIZED BY MILITARY ELECTRONIC CORPORATION. MILITARY ELECTRONIC CORPORATION, 1777, SANTA MONICA, CALIFORNIA.

NOTES:
1. ITEM 6 IS THE DECAL WHICH IS MOUNTED IN POSITION SHOWN ON ITEM #1.

SECTION B-B

SECTION A-A

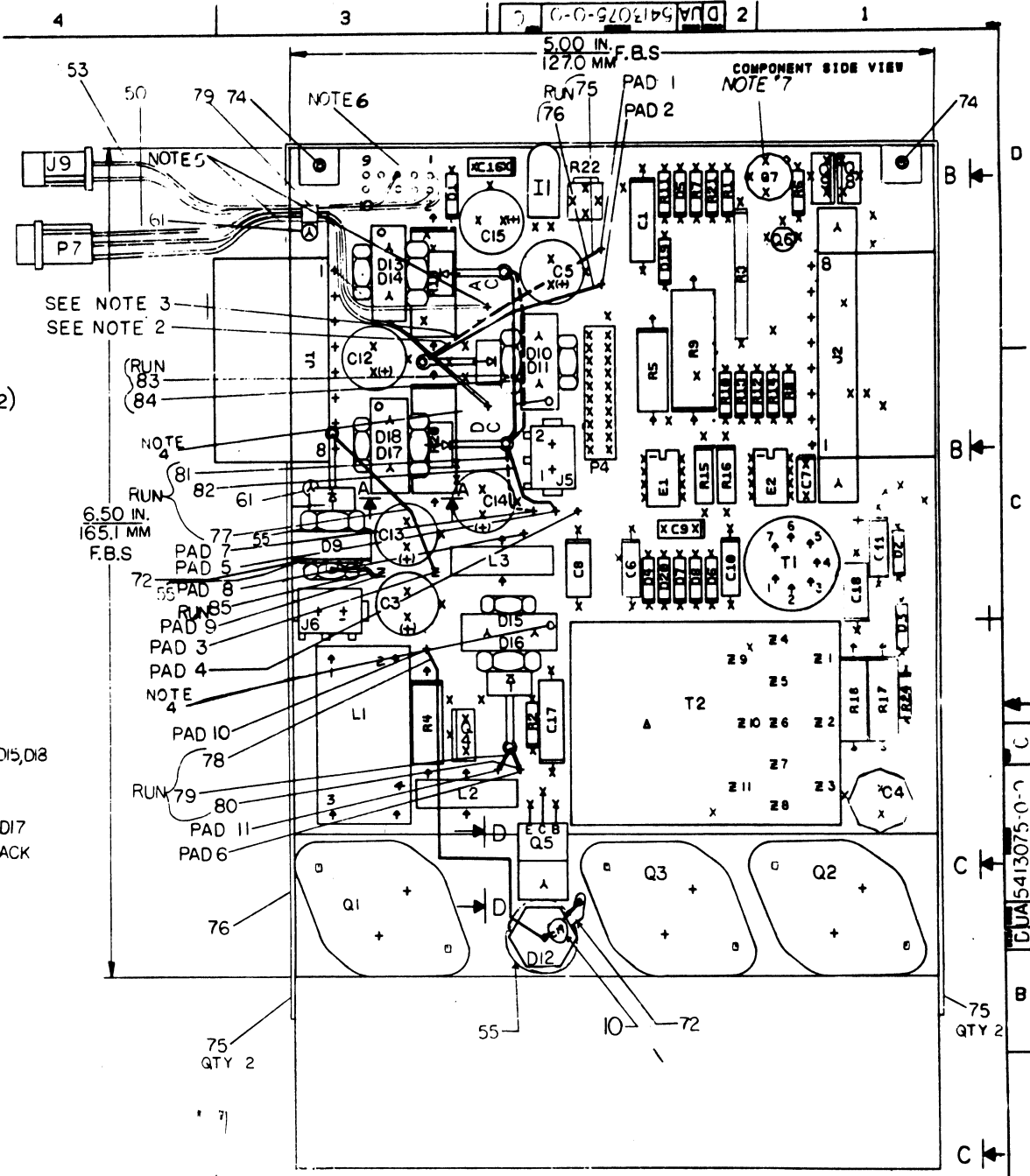
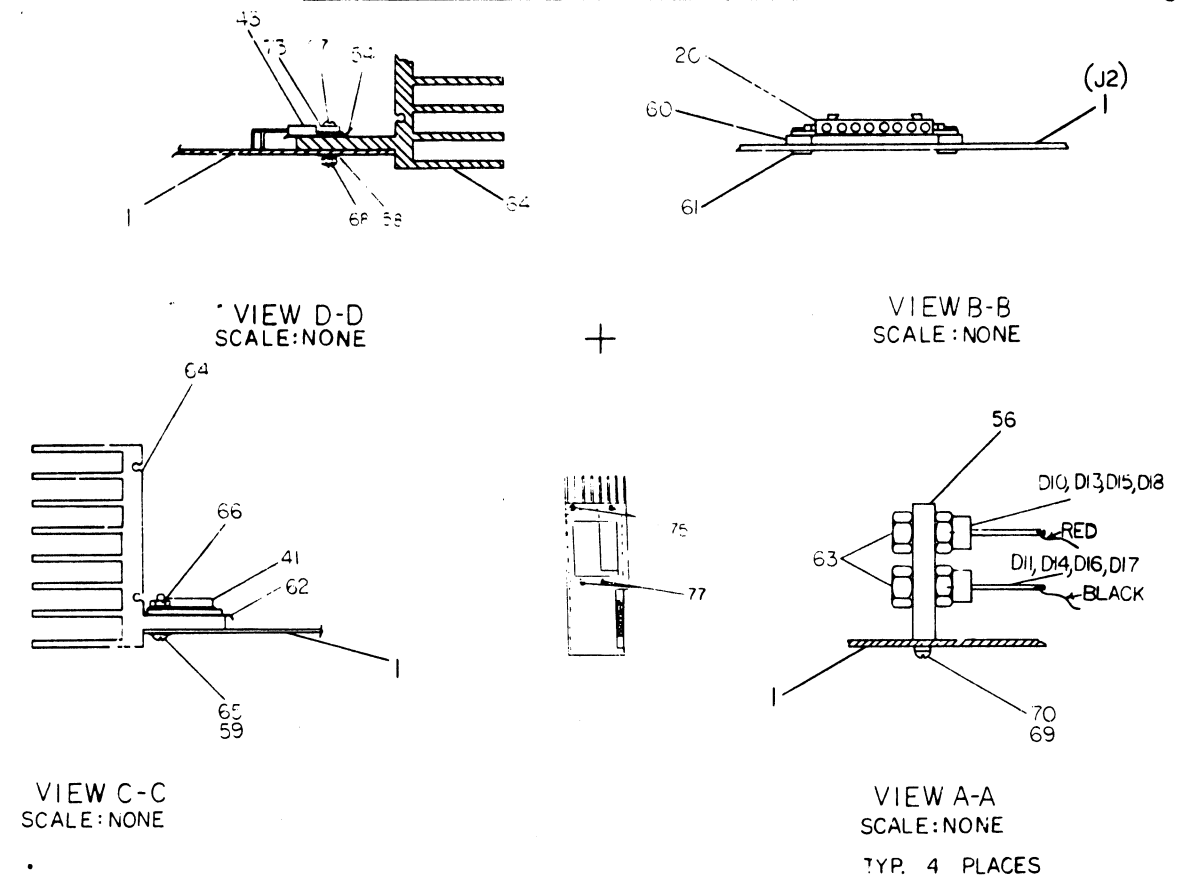
SECTION C-C

QTY	DESCRIPTION	PART NO.	REV.
1	PACK, INNER COX	9905212-00	B
2	SCR. PH. HD PWN #4-40X.25	90 00301-01	1
1	DETAI, 7014251	A-DC-1416945120	6
1	CAPACITOR BRKT. ASSY	GAD-10133220C	5
1	RETAINER, CARD	BND-718124-0-0	4
4	SCR. PH. FL. HD #6-32 x .19	30008020-2	3
1	MKII P.S. CONTROL BOARD	5413073-0-0	2
1	MKII P.S. BTRY BACKUP REG	5413075-0-0	1

THIRD ANGLE PROJECTION SHOWS DIMS AND HIDE SHAD CONTOUR DO NOT SCALE DIMS MATERIAL FINISH	DRG. NO. 7014251-0 PROJ. ENG. J. J. [unclear] PROD. CAL. [unclear] SHEET 01	PART USED ON MKII TITLE 7014251 REGULATOR BATTERY BACKUP	7014251-0-0 7014251-0-0
---	--	---	----------------------------

WIRE TABLE									
ITEM NO	RUN NO	AWG	COLOR	FROM	TO	7014251	LENGTH		
71	75	18TWP	BLK	D11 ANODE	PAD 1		4.50		
	76	18	RED	D10 ANODE	PAD 2		4.50		
77	18	RED	D9 CATHODE	PAD 3			3.00		
	78	18	RED	D12 CATHODE	PAD 10		3.75		
71	79	18TWP	BLK	D16 ANODE	PAD 11		1.50		
	80	18TWP	RED	D15 ANODE	PAD 6		2.00		
71	81	18TWP	BLK	D7 CATHODE	PAD 7		2.75		
	82	18TWP	RED	D8 CATHODE	PAD 5		2.75		
71	83	18TWP	RED	D13 ANODE	D18 CAT		3.50		
	84	18TWP	BLK	D14 ANODE	D17 CAT		3.50		
85	18	BLK	D9 ANODE	PAD 9			3.00		

UNTWIST ITEM NO 71 AND USE PROPER COLOR.



NOTES:

- SEE SHEET 4 OF 4 FOR DIODE WIRING.
- SOLID LINE INDICATES WIRE FROM THE TOP DIODE.
- DASHED LINE INDICATES WIRE FROM BOTTOM DIODE.
- TYPED HOLE AT TOP Q. HEATSINKS MUST FACE PROPER WAY TO ALLOW INSERTION OF CARD GUIDE.

5. CABLE #7014303 SOLDER YELLOW WIRE TO PTH MARKED AC, SOLDER WHITE WIRE TO PTH MARKED DC. SOLDER WHITE WIRE TO PTH'S (SEE NOTE 6 FOR LOCATION OF PTH'S)

6. SOLDER TO PTH HOLE #5 RED WIRE SOLDER TO PTH HOLE #8 BLACK WIRE OF CABLE #7014301 ITEM #53

7. ADD TORQUE PTH 90-01201 ITEM #13

8. REV W/IN PAGES NOT EXIST THE CAPUT IS IDENTICAL TO REV 7 W/IN.

9. TORQUE SPECIFICATIONS

Q1-Q3 10 IN-LBS INSPECT TO MIN OF 6 TORQUE FROM SCREW HEAD

Q5 8 IN-LBS INSPECT TO MIN OF 5 TORQUE FROM SCREW HEAD

D9-D18 16 IN-LBS INSPECT TO MIN OF 12 TORQUE FROM NUT SIDE

REV	DATE	BY	CHK
1			
2			
3			
4			
5			
6			
7			
8			
9			
10			

REV	DATE	BY	CHK
1			
2			
3			
4			
5			
6			
7			
8			
9			
10			

SIGNATURES	DATE	digital
DRN. STEVE K. THE	6/20/71	
CHK'D. G. GIBBINS	9/10/71	
ENG. J. MURPHY	12/20/71	
PROJ. ENG. J. HANCOCK	12/20/71	
PROD. S. KING	12/20/71	
SCALE 2-1		
SHT 1 OF 4		
NEXT NUMBER-PLSY. 8-00-5413075-3		

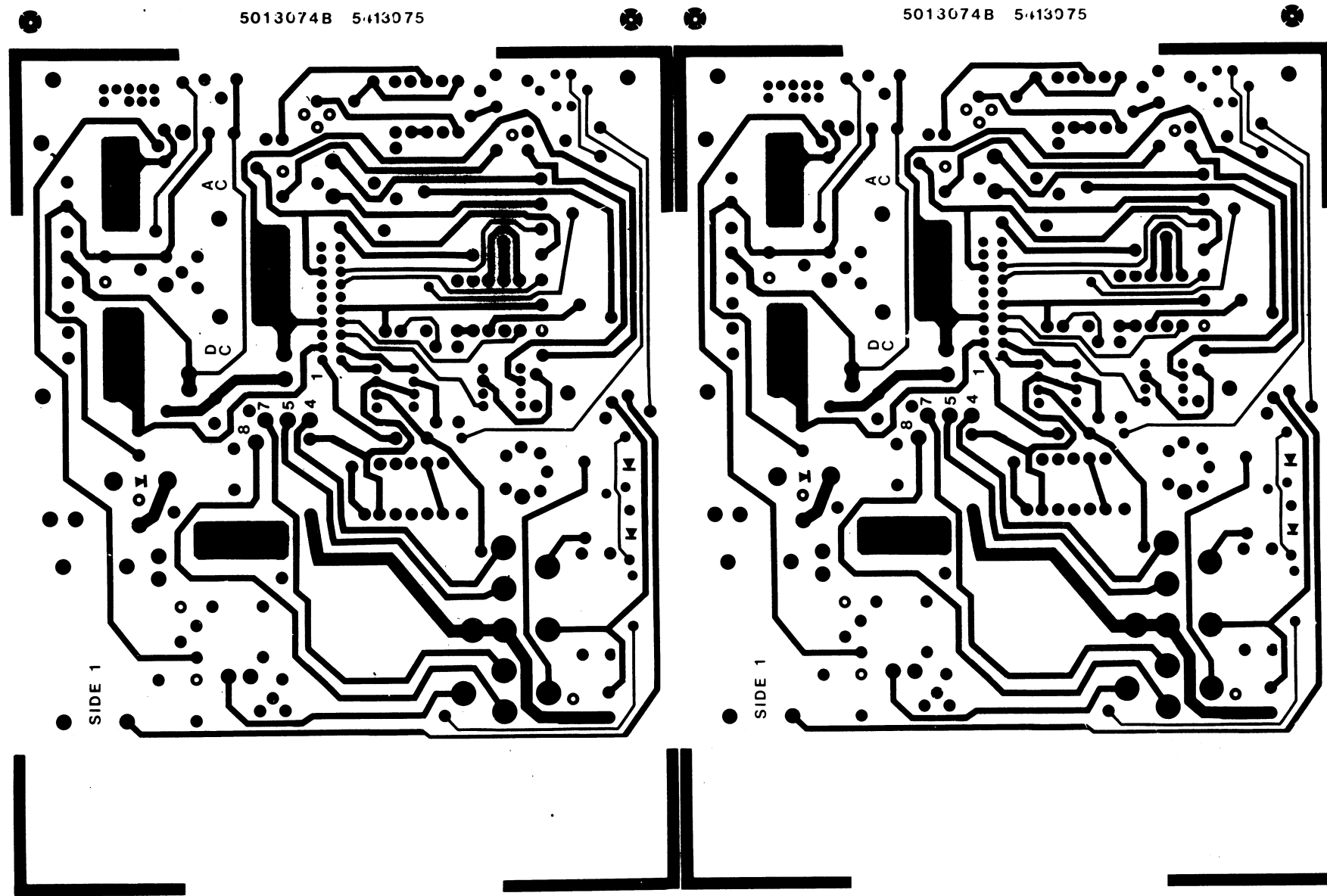
TITLE MK-11 P.S. BATTERY BACKUP REGULATOR

SIZE CODE NUMBER REV

D UA 5413075-0-0 C

"THIS DRAWING AND SPECIFICATIONS HEREIN ARE THE PROPERTY OF DIGITAL EQUIPMENT CORPORATION AND SHALL NOT BE REPRODUCED OR COPIED OR USED IN WHOLE OR IN PART AS THE BASIS FOR THE MANUFACTURE OR SALE OF ITEMS WITHOUT WRITTEN PERMISSION. COPYRIGHT © DIGITAL EQUIPMENT CORPORATION"

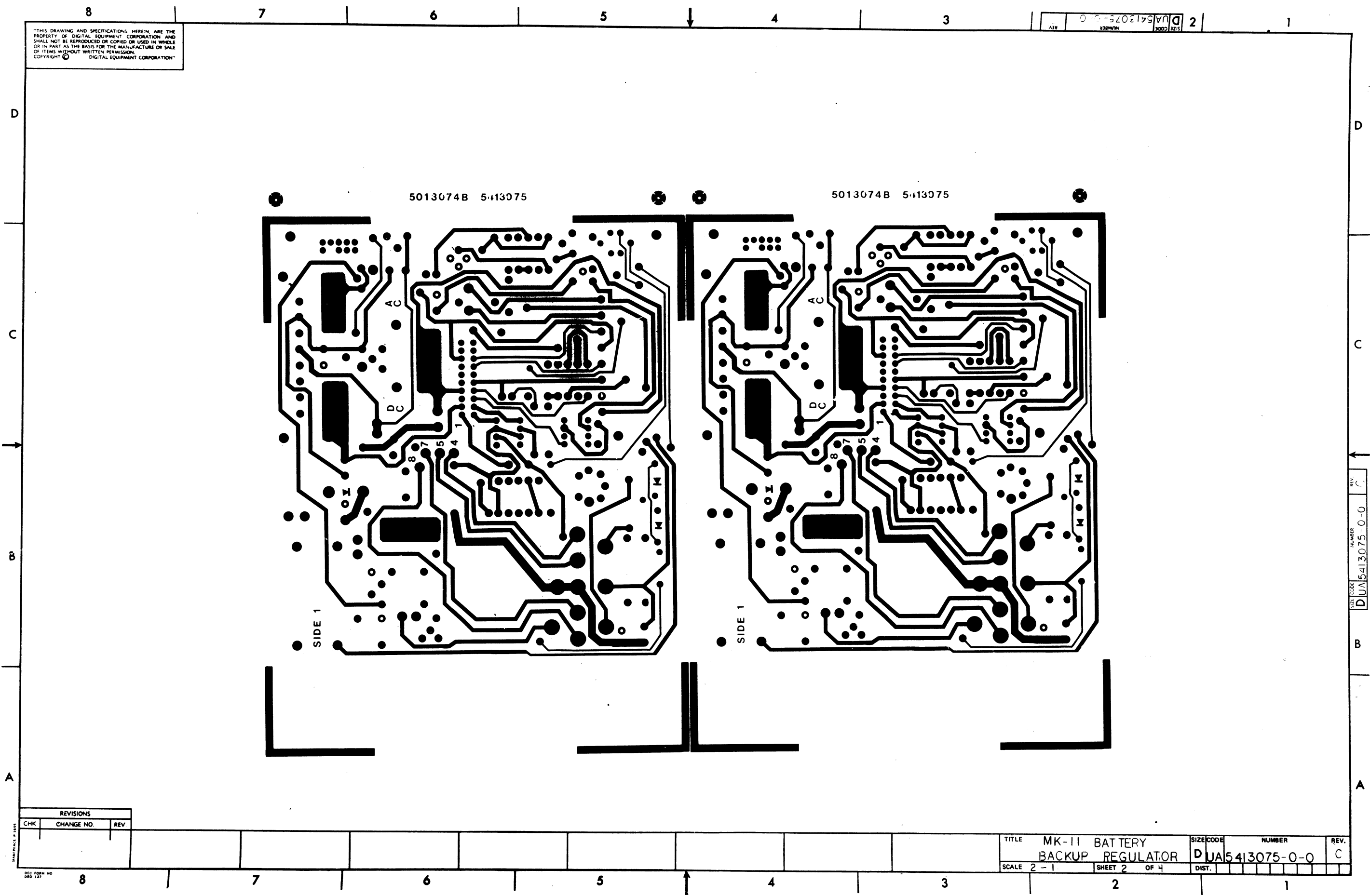
REV 0
 NUMBER DUA5413075-0-0
 SIZE CODE 2



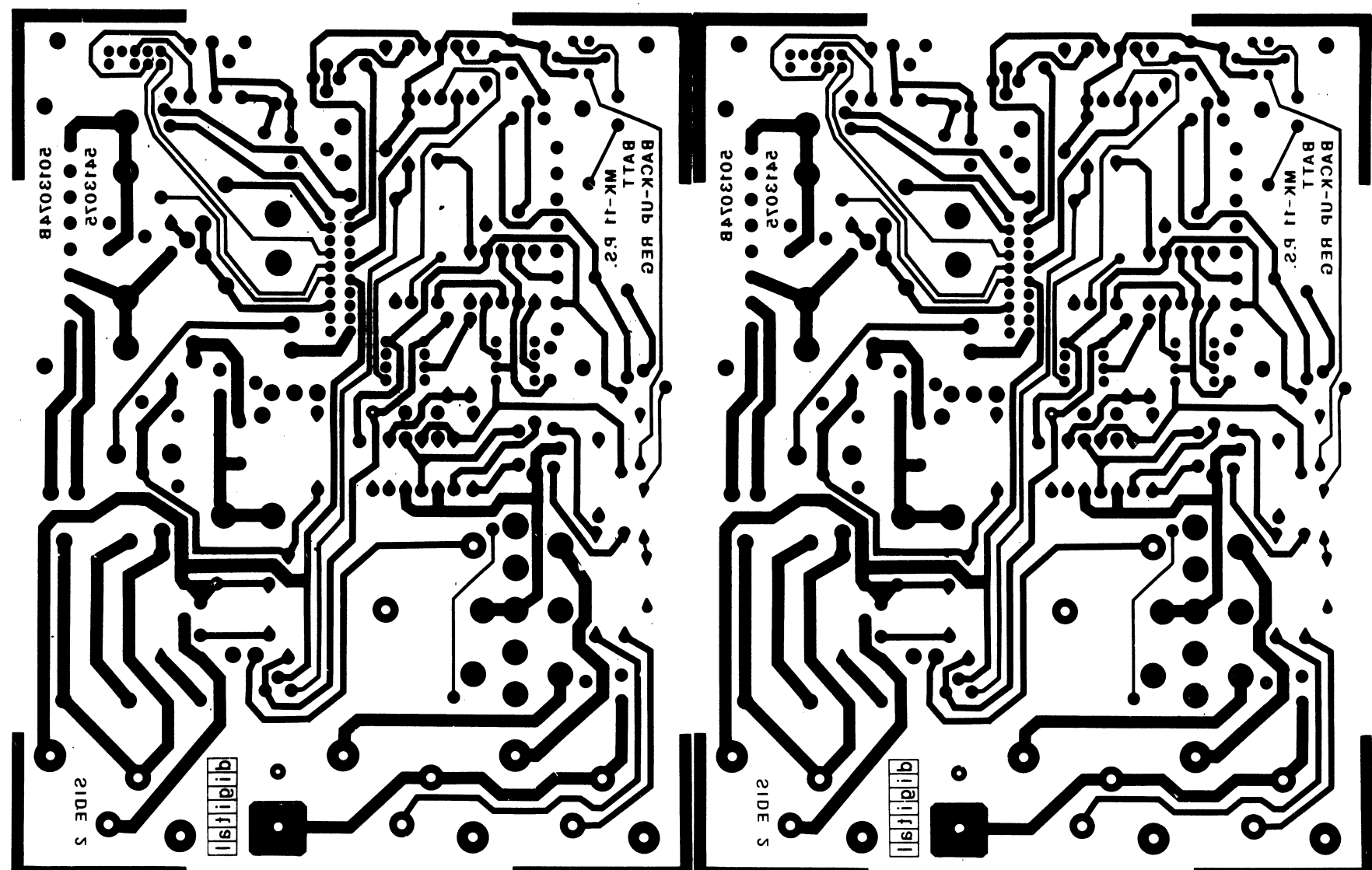
REVISIONS		
CHK	CHANGE NO.	REV

TITLE MK-II BATTERY
 BACKUP REGULATOR
 SCALE 2-1 SHEET 2 OF 4
 SIZE CODE DUA5413075-0-0
 NUMBER
 REV. C

REV C
 NUMBER DUA5413075-0-0
 SIZE CODE DUA5413075-0-0



"THIS DRAWING AND SPECIFICATIONS, HEREIN, ARE THE PROPERTY OF DIGITAL EQUIPMENT CORPORATION AND SHALL NOT BE REPRODUCED OR COPIED OR USED IN WHOLE OR IN PART AS THE BASIS FOR THE MANUFACTURE OR SALE OF ITEMS WITHOUT WRITTEN PERMISSION. COPYRIGHT © DIGITAL EQUIPMENT CORPORATION"



D
C
B
A

D
C
B
A

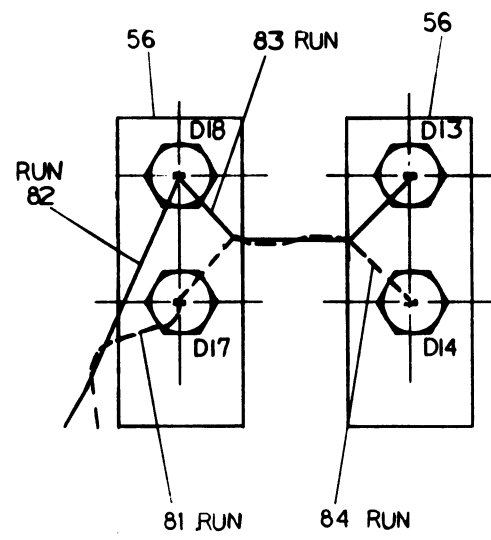
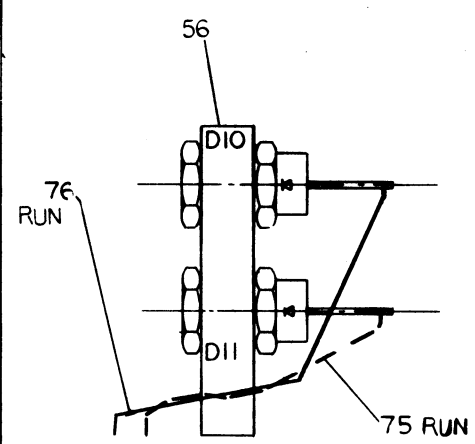
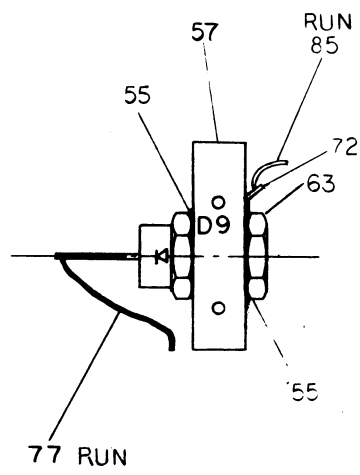
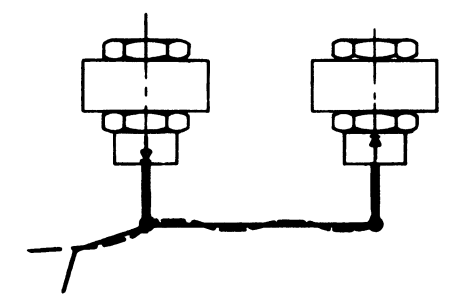
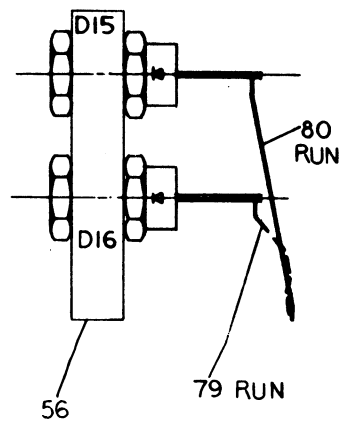
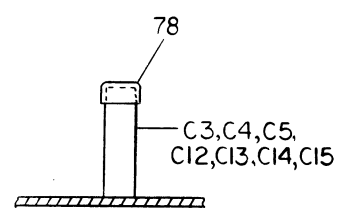
REVISIONS		
CHK	CHANGE NO	REV

TITLE	MK-11 BATTERY BACKUP REGULATOR	SIZE CODE	NUMBER	REV.
SCALE	2-1	SHEET	3 OF 4	D
DIST.				

REV. C
DUA5413075-0-0

THIS DRAWING AND SPECIFICATIONS HEREIN ARE THE PROPERTY OF DIGITAL EQUIPMENT CORPORATION AND SHALL NOT BE REPRODUCED OR COPIED OR USED IN WHOLE OR IN PART AS THE BASIS FOR THE MANUFACTURE OR SALE OF ITEMS WITHOUT WRITTEN PERMISSION. COPYRIGHT © 1977 DIGITAL EQUIPMENT CORPORATION

NOTES:
 1. WIRING INFORMATION IS ON SHEET 1 OF 4.
 2. DIODES TO BE ASSEMBLED TO HEAT-SINKS AND WIRED AS SHOWN BEFORE INSTALLING TO BOARD.



REVISIONS		
CHK	CHANGE NO.	REV.

LINE	ITEM	DOCUMENT NO.	PART NO.	DESCRIPTION	QTY	REFERENCE DESIGNATORS
1	1	D-UD-5013074-0-0	5013074-00	MK11 PS BATTERY BACKUP REGULATOR	1	
2	2		1002431-00	2.2MFD 35V 10% 1500 S.TA (10-00)	1	C10
3	3		1012607-02	100 MFD 50V H% 672D AL EL	3	C3-C5
4	4		1000042-00	1000.0 MMF 100V 5%200PPM DM158 (10-00)	1	C7
5	5		1010646-00	.015 MFD 50V 2% M.POLYCARB	1	C8
6	6		1000024-00	470.0 MMF 100V 5%200PPM DM158 (10-00)	1	C9
7	7		1001776-00	1 MFD 35V 10% 1500 S.TA (10-00)	2	C6,C11
8	8		1012607-00	560 MFD 20V H% 672D AL EL	3	C12,C13,C14
9	9		1012607-01	1200 MFD 6.3V H% 672D AL EL	1	C15
10	10		1010621-00	.1 MFD 50V 20% Z5U DISC	2	C16,C19
11	11		1004813-00	10 MFD 20V 10% 1500 S.TA (10-00)	2	C1,C17
12	12		1000030-00	.1 MFD 100V 20% Z5U DISC	1	C18
13	13		9007201-00	TRANSIPADS #10253	1	
14	14		1100125-00	1N 750A VZ= 10.0 5% .40W PPER S.A.V.E.C	2	D2,D3
15	15		1105275-00	D 672 TR= 15NS PIV= 60V SP	7	D1,D4-D8,D20
16	16		1109440-00	1N 3800 PIV=100 I= 6A D04 SM	6	D10,D11,D13,D14,D15,D16
17	17		1113366-00	1N 3800R PIV=100 I=6A S	4	D17,D18,D9,D12
18	18		1105648-00	1N 4744 VZ= 15.0 10% 1W Y	1	D19
19	19		1211004-02	SOCKET,100 20POS EDGE MOUNT	1	P4
20	20		1209340-00	MATE-N-LOK 8PIN,HOUSING,SKT	2	J1,J2
21	21		1209456-01	MATE-N-LOK SKT PCB TAB LOOSE	16	
22	22		1211342-02	MATE-N-LOK 2PIN PC TYPE	2	J5,J6
23	23		1209219-01	LAMP 6V0200MA,T1-3/4PINS#2319	1	I1
24	24		1300202-00	47 1/4W 5% CC (13-00)	1	R2
25	25		1309639-00	200 5W 5% WW (13-00)	1	R3
26	26		1312682-00	3 3W 5% (13-00)	1	R4
27	27		1302950-00	1.2 K 1W 10% CC (13-00)	1	R5
28	28		1300426-00	2.7 K 1/4W 5% CC (13-00)	2	R6,R7
29	29		1309680-00	2.7 M 1/4W 5% CC (13-00)	1	RR
30	30		1313712-00	.01 5W 3% WW (13-00)	1	R9

REVISION HISTORY			VARIATIONS FOR THIS ASSY.		FIRST USED ON: 5413075		DIGITAL EQUIPMENT CORPORATION MAYNARD, MASSACHUSETTS			
CHK	ECO NO	REV					SIZE	CODE	DOCUMENT NUMBER	REV
---	INIT	A			MADE BY:	S KITTLE	DATE:	18-NOV-77	TITLE	PARTS LIST
S.C	00001	B			CHECKED:	G GIDDINGS	DATE:	18-NOV-77	MK-11 BATTERY	
---	ML002	C							BACKUP REGULATOR	
BN	ML002	C			DSN,ENG.:	JOE MERCURI	DATE:	18-NOV-77		
					PROD.:	BOB KING	DATE:	18-NOV-77	K	PL
					RESP,ENG.:	JOE MERCURI	DATE:	18-NOV-77	ASSY.NO.:	D-UA-5413075-0-0
										EDIT#
										19

"THIS DRAWING AND SPECIFICATIONS HEREIN, ARE THE PROPERTY OF DIGITAL EQUIPMENT CORPORATION AND SHALL NOT BE REPRODUCED OR COPIED OR USED IN WHOLE OR IN PART AS THE BASIS FOR THE MANUFACTURE OR SALE OF ITEMS WITHOUT WRITTEN PERMISSION. COPYRIGHT 1978, DIGITAL EQUIPMENT CORPORATION"

LINE	ITEM	DOCUMENT NO.	PART NO.	DESCRIPTION	QTY	REFERENCE DESIGNATORS
31	31		1300365-00	1 K 1/4W 5% CC (13-00	2	R1,R11
32	32		1300229-00	100 1/4W 5% CC (13-00	1	R12
33	33		1302466-00	100 K 1/4W 5% CC (13-00	2	R13,R14
34	34		1312404-00	2.21 K 1/2W 1% RN60D-F 100PPM (13-00	2	R15,R16
35	35		1313579-00	1.5 3W 5% WW (13-00	2	R17,R18
36	36		1309855-00	300 2W 5% CC (13-00	2	R19,R20
37	37		1300479-00	10 K 1/4W 5% CC (13-00	1	R21
38	38		1310852-00	200 20% POT \$	1	R22
39	39		1300391-00	1.5 K 1/4W 5% CC (13-00	1	R10
40	40		1300316-00	470 1/4W 5% CC (13-00	1	R24
41	41		1510969-00	2N 5038 NPN 140WC SI 90 50 Y	3	Q1-Q3
42	42		1510708-00	D 45H0 PNP 50WT SI 60 60 Y	2	Q4,Q8
43	43		1512790-00	D 44C11 NPN 30W SI 80 40	2	Q5,Q9
44	44		1511686-00	DEC5433 FET N 350MW 10 25 1A 20U	1	Q6
45	45		1510959-00	2N 3725 NPN 3.5WC SI 50 60 P	1	Q7
46	46		1612593-00	500 UH 6A \$	1	L1
47	47		1613874-00	CHOKER,15UH 4A	2	L2,L3
48	48		1613876-00	XFMR,POWER,RATIO 1:2 7PIN \$	1	T1
49	49		1613875-00	XFMR,POWER,RATIO 1:2:3 100UH	1	T2
50	50		7014303-00	AC/DC LOW BOOT ENABLE CABLE	1	
51	51		1911944-00	555CN TIMER,FUNCT,BLOCK	1	E1
52	52		1910282-00	301AN OP AMP	1	E2
53	53		7014301-00	DC CABLE	1	
54	54		1213071-06	INSULATOR,RUBBER SILICONE	1	
55	55		1213071-05	INSULATOR,RUBBER THERMAL	3	
56	56		7417414-00	HEAT SINK (DUAL)	4	
57	57		7417413-00	HEAT SINK (SINGLE)	1	
58	58		9006655-00	WASHER, FLAT, .312 O.D. X .125 ID X .025 T	1	
59	59		9006656-00	WASHER, FLAT, .312 O.D. X .156 I.D. X .027	6	
60	60		9006706-00	WASHER, NYLON, FLAT #4 .375 OD X .031 THK	2	
61	61		9006745-00	EYFLET, ROLLED FLANGE, .120 OD X .260 LG	4	
62	62		1213071-02	INSULATOR,RUBBER SILICONE 8M	3	
63	63		9006565-00	NUT,KEP , 10-32X 3/8 AF CS/	10	
64	64		1210737-04	HEAT SINK,REGULATOR	1	
65	65		9007793-04	SCREW,BIND,SLOT, 6-32X 9/16 SS/PAS	6	
66	66		9008185-00	NUT,KEP , 6-32X 1/4 AF CS/	6	
67	67		9008033-01	SCREW,PAN ,PHIL, 4-40X 9/16 SS/PAS	1	
68	68		9006557-00	NUT,KEP , 4-40X 1/4 AF CS	1	
69	69		9006632-00	WASHER,LOCK,INT,.260OD X .120ID X .015 THK	8	
70	70		9006010-04	SCREW,BIND,SLOT, 4-40X 5/16 SS/PAS	8	
71	71		9107430-02	WIRE,STRND,18AWG,IPVC (UL1429) (91-00 A/R		
72	72		9009909-00	TERM LUG 1POS SOLDER,FLAT .196 HOLE	2	
73	73		9009769-00	WASHER, RECTANGULAR .405X.225X.060	1	
74	74		9006010-01	SCREW,PAN ,PHIL, 4-40X 5/16 SS/PAS	2	
75	75		9009142-02	SCREW, PHILLIPS FLAT HEAD, SELF TAP, 4-40	4	
76	76		7417410-00	REGULATOR BRACKET	1	
77	77		9008404-02	SCREW,FLAT,PHIL, 6-32X 5/16 SS/PAS 100D	2	
78	78		9009731-03	CAP,PLASTIC	7	

DIGITAL EQUIPMENT CORPORATION MAYNARD, MASSACHUSETTS	TITLE MK-11 BATTERY BACKUP REGULATOR	PARTS LIST	SIZE/COPEL K PL	DOCUMENT NUMBER 5413075-0-DBP	REV 1C
---	--	------------	--------------------	----------------------------------	-----------

AUTOMATED BY PRTLST 1C(4)

PARTS LIST

SHEET 3 OF 3

LINE ITEM DOCUMENT NO.

PART NO.

DESCRIPTION

QTY REFERENCE DESIGNATORS

79 79

9007031-00

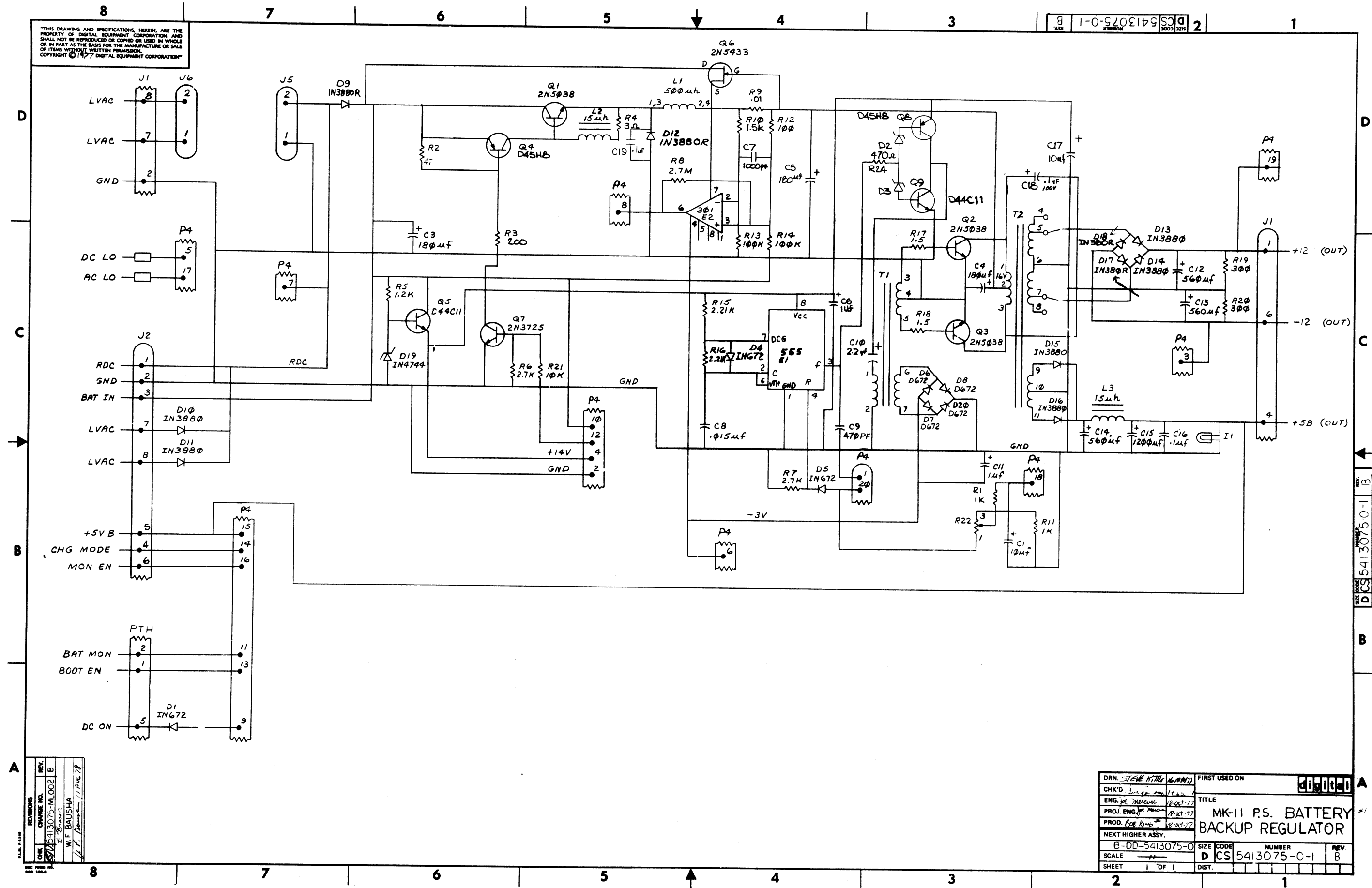
TIE, CABLE, SST1 M

0

1

DIGITAL EQUIPMENT CORPORATION WAYNARD, MASSACHUSETTS	TITLE PARTS LIST	MK-11 BATTERY BACKUP REGULATOR	SIZE K	CODE PL	DOCUMENT NUMBFR 5413075-0-DRP	REV C
---	---------------------	-----------------------------------	-----------	------------	----------------------------------	----------

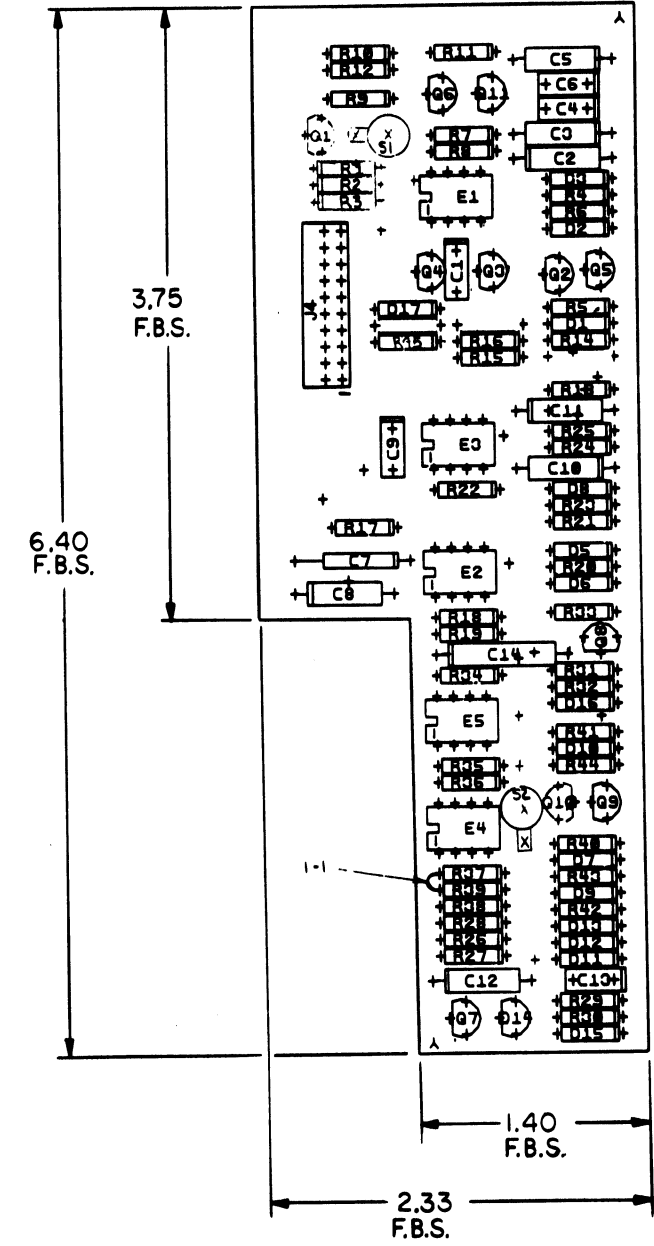
THIS DRAWING AND SPECIFICATIONS, HEREIN, ARE THE PROPERTY OF DIGITAL EQUIPMENT CORPORATION AND SHALL NOT BE REPRODUCED OR COPIED OR USED IN WHOLE OR IN PART AS THE BASIS FOR THE MANUFACTURE OR SALE OF ITEMS WITHOUT WRITTEN PERMISSION. COPYRIGHT © 1977 DIGITAL EQUIPMENT CORPORATION



DRN. <i>STEVE NITEL (6/11/77)</i>	FIRST USED ON	digital
CHK'D <i>Jim King (11/22/77)</i>		
ENG. <i>Bob King (11/22/77)</i>	TITLE	MK-II P.S. BATTERY BACKUP REGULATOR
PROJ. ENG. <i>Bob King (11/22/77)</i>		
PROD. <i>Bob King (11/22/77)</i>	NEXT HIGHER ASSY.	
SCALE <i>1:1</i>	SIZE CODE	NUMBER
SHEET 1 OF 1	D	CS 5413075-0-1
	DIST.	REV. B

COMPONENT SIDE VIEW

REWORK INSTRUCTIONS
 ECO #1
 WIRE ADDS SIDE 1:
 1-1. BETWEEN R37 AND R39 AT THE R37
 END THAT CONNECTS TO E4-3.



NOTES:
 1. REV "B" UA DOES NOT EXIST. THE LAYOUT IS IDENTICAL TO REV "A" UA.
 2. C1, C8, C11, C12 TO BE HAND INSERTED.
 3. C15, D1, D2 NOT USED.

CHG	NO	REV	DATE	BY
5413073-1	B			
J. MERCURI				
J. MERCURI				

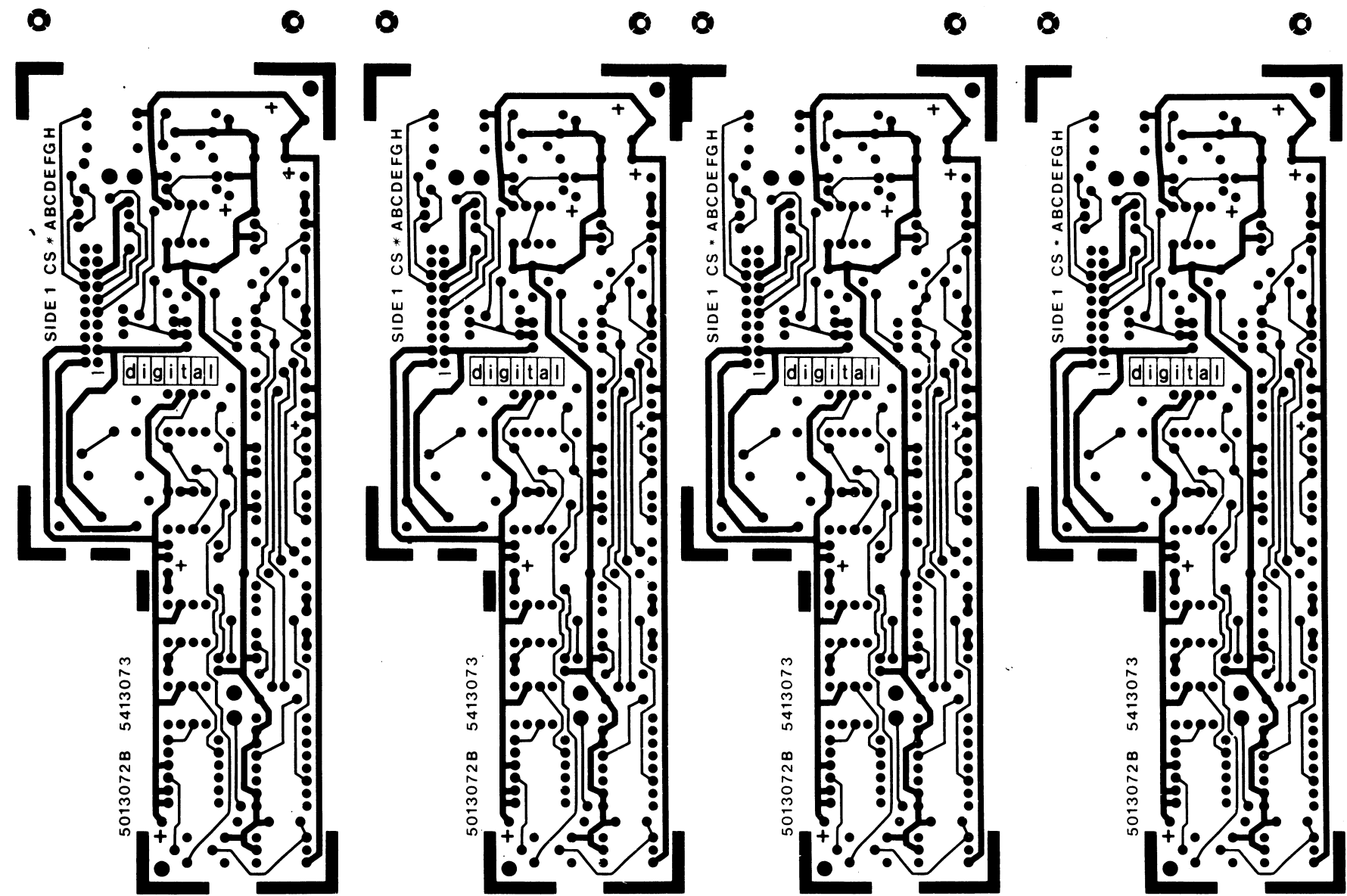
ETCH REV.	B
P.C. DESIGN DATA BASE REV.	B

SIGNATURES	DATE
DRN. <i>[Signature]</i>	26 MAY 78
CHK'D. <i>[Signature]</i>	9 MAY 78
ENG. <i>[Signature]</i>	26 MAY 78
PROJ. ENG. <i>[Signature]</i>	26 MAY 78
SCALE 2/1	
SHT. 1 OF 3	
NEXT HIGHER ASSY. B-00-5413073-0	

digital	
TITLE MK-II P.S. CONTROL BD.	
SIZE CODE	NUMBER
D UA	5413073-0-0

"THIS DRAWING AND SPECIFICATIONS HEREIN ARE THE PROPERTY OF DIGITAL EQUIPMENT CORPORATION AND SHALL NOT BE REPRODUCED OR COPIED OR USED IN WHOLE OR IN PART AS THE BASIS FOR THE MANUFACTURE OR SALE OF ITEMS WITHOUT WRITTEN PERMISSION. COPYRIGHT © DIGITAL EQUIPMENT CORPORATION"

REV. 2
 SIZE CODE D
 NUMBER UA5413073



REVISIONS		
CHK	CHANGE NO.	REV.

TITLE	MK-11 P.S. CONTROL BOARD	SIZE CODE	D	NUMBER	UA5413073-0-0	REV.	C
SCALE	2 - 1	SHEET	2	OF	3	DIST.	

DEC 1977

LINE	ITEM	DOCUMENT NO.	PART NO.	DESCRIPTION	QTY	REFERENCE DESIGNATORS
1	1	D-MD-5013072-0-0	5013072-00	5413073	1	
2	2		1001610-01	.01 MFD 100V DR 50V Z5U DISC/800PF MIN	4	C1,C4,C6,C13
3	3		1004813-00	10 MFD 20V 10% 150D S.TA (10-00)	1	C2
4	4		1001776-00	1 MFD 35V 10% 150D S.TA (10-00)	3	C5,C11,C3
5	5		1000061-00	8200.0 MMF 100V 10% 663UM MYLR (10-00)	1	C7
6	6		1005965-00	.47 MFD 35V 10% 150D S.TA (10-00)	3	C8,C10,C12
7	7		1000009-00	33.0 MMF 100V 5%200PPM DM15S (10-00)	1	C9
8	8		1005306-00	6.8MFD 35V 10% 150D S.TA (10-00)	1	C14
9	9		1105275-00	D 672 TR= 15NS FIV= 60V SF	9	D1,D2,D3,D5,D6,D9,D10,D12,D13
10	10		1109990-00	1N 757A VZ= 9.1 5% .40W P	1	D8
11	11		1102808-00	1N 752A VZ= 5.6 5% .40W P	2	D11,D15
12	12		1110968-00	2N 5062 SCR@100V I=.8A T092	1	D14
13	13		1110713-00	SZ710910 VZ= 5.1 2% M	1	D7
14	14		1114913-00	VZ= 18.0 10% 1W	1	D16
15	15		1100125-00	1N 758A VZ= 10.0 5% .40W PPER S.A.U.E/	1	D17
16	16		1300398-00	1.8 K 1/4W 5% CC (13-00)	1	R38
17	17		1300479-00	10 K 1/4W 5% CC (13-00)	11	R1,R13,R18,R19,R20,R21,R28, CONT R31,R42-R44
18	18		1300229-00	100 1/4W 5% CC (13-00)	5	R3,R5,R25,R29,R45
19	19		1300432-00	3 K 1/4W 5% CC (13-00)	1	R23
20	20		1301322-00	180 1/4W 5% CC (13-00)	1	R4
21	21		1302177-00	47 K 1/4W 5% CC (13-00)	1	R6
22	22		1302394-00	30 K 1/4W 5% CC (13-00)	1	R7
23	23		1302091-00	330 K 1/4W 5% CC (13-00)	1	R8
24	24		1300365-00	1 K 1/4W 5% CC (13-00)	6	R9,R12,R14,R37,R40,R2
25	25		1300426-00	2.7 K 1/4W 5% CC (13-00)	1	R16
26	26		1302092-00	220 K 1/4W 5% CC (13-00)	1	R15
27	27		1301423-00	6.8 K 1/4W 5% CC (13-00)	1	R17
28	28		1302871-00	1.21 K 1/4W 1% RN55D-F 100PPM (13-00)	1	R35
29	29		1302955-00	750 1/4W 1% RN55D-F 100PPM (13-00)	1	R34

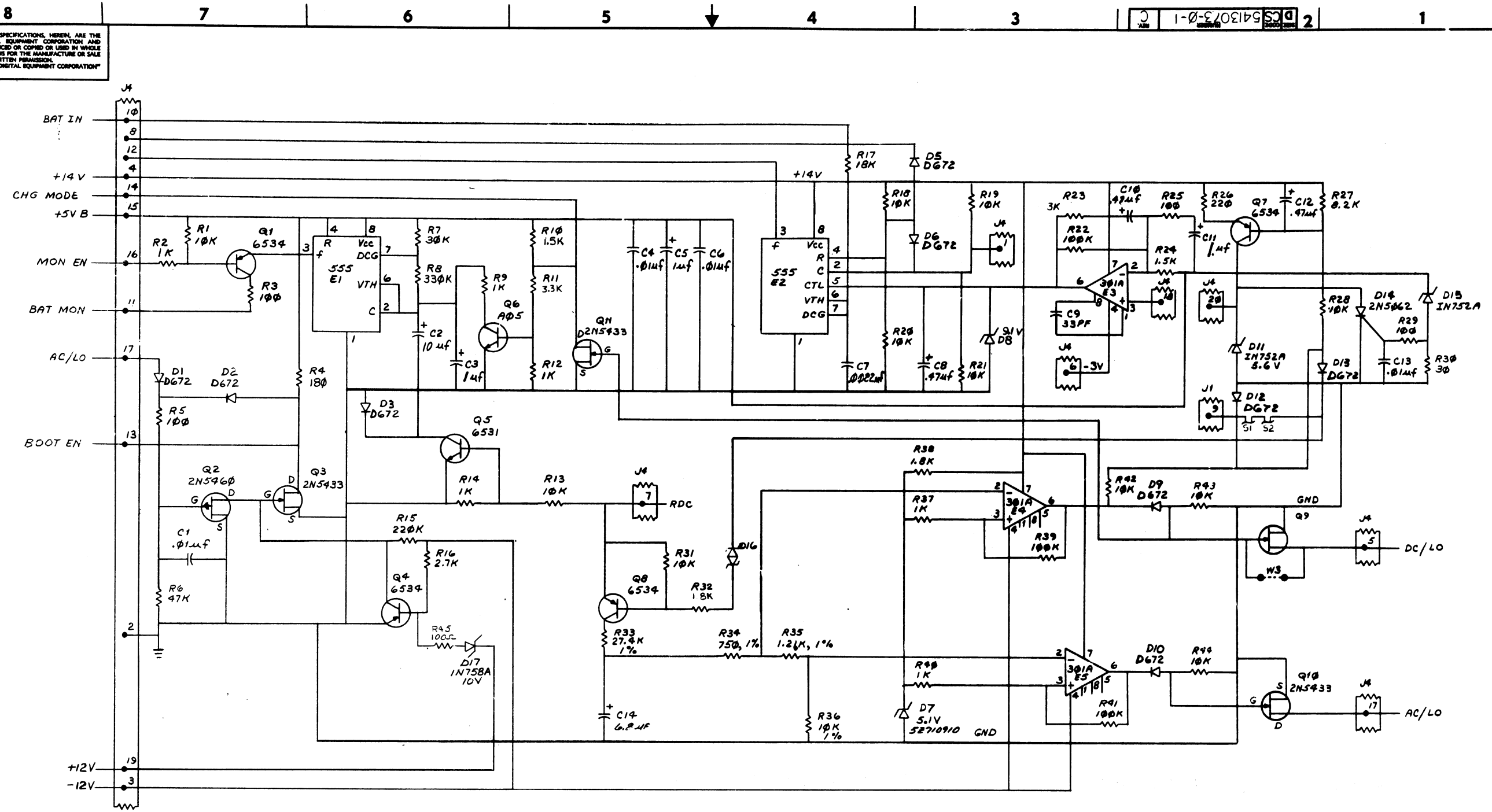
REVISION HISTORY			VARIATIONS FOR THIS ASSY.		
CHK	ECO NO	REV	FIRST USED ON: 5413073		
---	INIT	A	DIGITAL EQUIPMENT CORPORATION MAYNARD, MASSACHUSETTS		
F.S	00001	B	MADE BY: S KITTLE	DATE: 24-OCT-77	TITLE
PG	00002	C	PARTS LIST		
			CHECKED: F SMART	DATE: 24-OCT-77	MK11-PS CONTROL BOARD
			DSN.ENG.: JOE MERCURI	DATE: 24-OCT-77	
			PROD.: BOB KING	DATE: 24-OCT-77	SIZE CODE DOCUMENT NUMBER REV
			RESP.ENG.: JOE MERCURI	DATE: 24-OCT-77	K PL 5413073-0-0 C
					ASSY.NO.: D-UA-5413073-0-0 EDIT# 11

*THIS DRAWING AND SPECIFICATIONS HEREIN, ARE THE PROPERTY OF DIGITAL EQUIPMENT CORPORATION AND SHALL NOT BE REPRODUCED OR COPIED OR USED IN WHOLE OR IN PART AS THE BASIS FOR THE MANUFACTURE OR SALE OF ITEMS WITHOUT WRITTEN PERMISSION.
COPYRIGHT 1978. DIGITAL EQUIPMENT CORPORATION *

LINE	ITEM	DOCUMENT NO.	PART NO.	DESCRIPTION	QTY	REFERENCE DESIGNATORS
30	30		1303312-00	10.0 K 1/4W 1% RN55D-F 100PPM (13-00	1	R36
31	31		1302466-00	100 K 1/4W 5% CC (13-00	3	R22,R39,R41
32	32		1300271-00	220 1/4W 5% CC (13-00	1	R24
33	33		1302751-00	30 1/4W 5% CC (13-00	1	R30
34	34		1309417-00	27.4 K 1/4W 1% RN55D-F 100PPM (13-00	1	R33
35	35		1503409-00	DEC6534D PNP 310MW SI 40 90 P	4	Q1,Q4,Q7,Q8
36	36		1510233-00	2N 5460 FET 310MW SIP CHNML	1	Q2
37	37		1511686-00	DEC5433 FET N 350MW 10 25 1A 20U	4	Q3,Q9,Q10,Q11
38	38		1509338-00	DEC6531B NPN 310MW SI 40 90 P	1	Q5
39	39		1510705-00	XA 05 NPN 500MW SI 60 50 P	1	Q6
40	40		1911944-00	555CN TIMER,FUNCT.BLOCK	2	E1,E2
41	41		1910282-00	DEC 301AN OP AMP	3	E3,E4,E5
42	42		1300398-00	1.8 K 1/4W 5% CC (13-00	1	R32
43	43		1300391-00	1.5 K 1/4W 5% CC (13-00	2	R10,R24
44	44		1213335-00	HEADER 20POS RT ANGLE FOR 12-1333A	1	J4
45	45		9009185-00	***** THIS ITEM IS NOT USED *****	0	
46	46		1300439-00	3.3 K 1/4W 5% CC (13-00	1	R11
47	47		1212416-03	THERMOSTAT,00170,140,SPST	2	S1,S2
48	48		1303179-00	8.2 K 1/4W 5% CC (13-00	1	R27
49	49		9107560-01	WIRE,BUSS,22AWG		A/R

DIGITAL EQUIPMENT CORPORATION MAYNARD, MASSACHUSETTS	TITLE	PARTS LIST	SIZE	CODE	DOCUMENT NUMBER	REV
		MK11-PS CONTROL BOARD	K	PL	5413073-0-0	C

"THIS DRAWING AND SPECIFICATIONS HEREIN ARE THE PROPERTY OF DIGITAL EQUIPMENT CORPORATION AND SHALL NOT BE REPRODUCED OR COPIED OR USED IN WHOLE OR IN PART AS THE BASIS FOR THE MANUFACTURE OR SALE OF ITEMS WITHOUT WRITTEN PERMISSION. COPYRIGHT © 1977, DIGITAL EQUIPMENT CORPORATION"



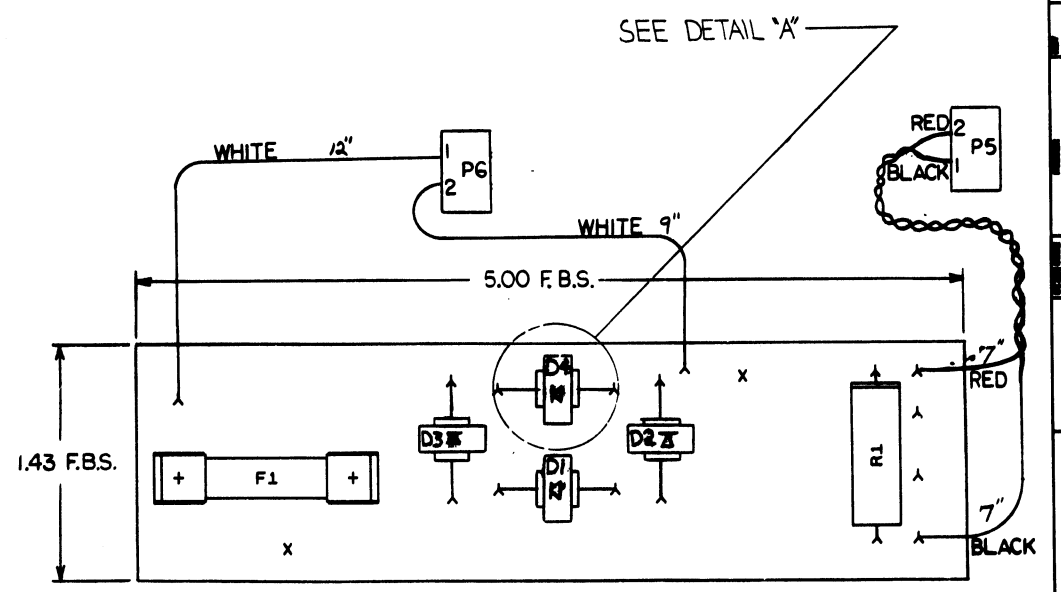
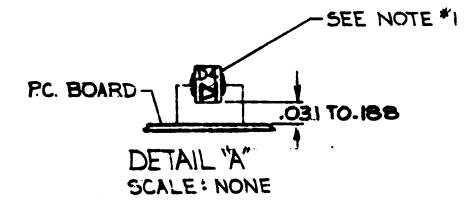
NOTES:
 1. W3 IS AN ENGINEERING OPTION TO BE DETERMINED AT A LATER DATE.
 2. C15, D4 & W1 NOT USED.

REV.	CHANGE NO.	DATE	BY	CHKD.
1	5413073-0002	11-18-77	J. MERCURI	
2		3-27-78		

DRN: <i>EVK</i>	REV: <i>1</i>	FIRST USED ON: <i>11-23-77</i>
CHK'D BY: <i>MEAS</i>	DATE: <i>11-23-77</i>	TITLE: MK-II P.S. CONTROL BOARD
ENG. BY: <i>MEAS</i>	DATE: <i>11-23-77</i>	SIZE: D
PROJ. ENG. BY: <i>MEAS</i>	DATE: <i>11-23-77</i>	CODE: CS
PROD. BY: <i>MEAS</i>	DATE: <i>11-23-77</i>	NUMBER: 5413073-0-1
NEXT HIGHER ASSY:		REV. C
B-DD-5413073-0	SCALE: <i>1:1</i>	SHEET: 1 OF 1
		DIST.:

COMPONENT SIDE VIEW

NOTES:
 1. DIODES D1 THRU D4 MUST BE RAISED FROM THE P.C. BOARD .031 TO .100



NOTES:

CHANGE NO	REV	DATE	BY	CHK'D
001	1	9-21-76	G. POTTER	
002	2	11-5-76	G. POTTER	
003	3	11-5-76	G. POTTER	
004	4	11-5-76	G. POTTER	
005	5	11-5-76	G. POTTER	

ETCH REV. C	P.C. DESIGN DATA BASE REV. C
-------------	------------------------------

SIGNATURES	DATE	TITLE
DRN. <i>[Signature]</i>	9-21-76	digital
CHK'D. <i>[Signature]</i>	9-21-76	
ENG. <i>[Signature]</i>	11-5-76	INPUT
PROJ. ENG. <i>[Signature]</i>	11-5-76	RECTIFIER BOARD
PROD. <i>[Signature]</i>	11-5-76	
SCALE 2/1		SIZE CODE NUMBER
SHT. 2 OF 3		d UA 541241-0-0
NEXT HIGHER ASSY.		REV 6

8

7

6

5

4

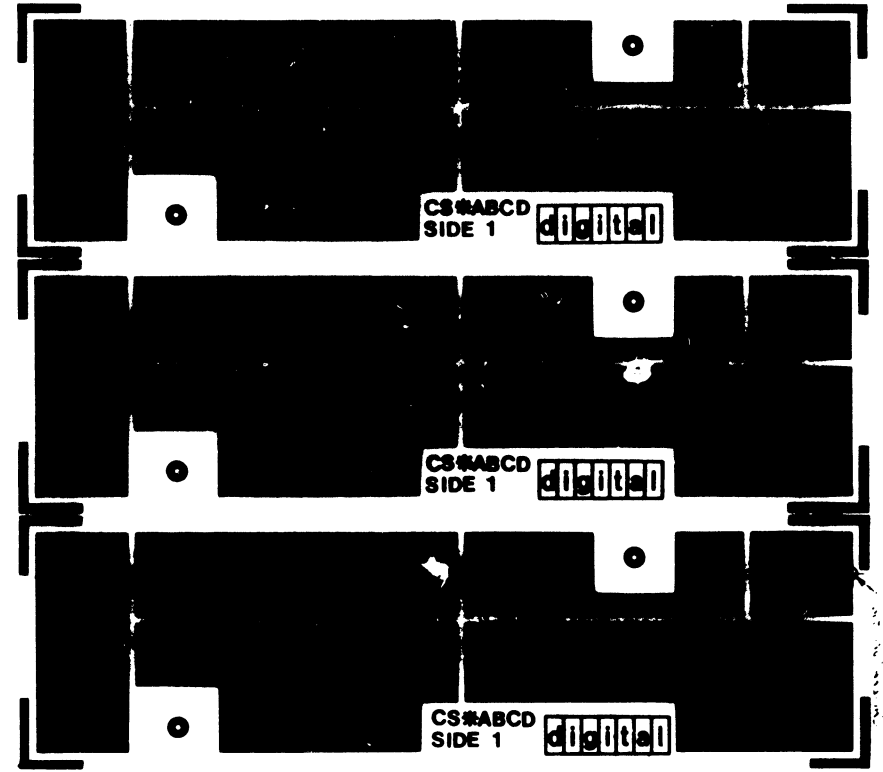
3

1

1 5412411-0-0 D 2

THIS DRAWING AND SPECIFICATION HEREIN ARE THE PROPERTY OF DIGITAL EQUIPMENT CORPORATION AND SHALL NOT BE REPRODUCED OR COPIED OR USED IN WHOLE OR IN PART AS THE BASIS FOR THE MANUFACTURE OR SALE OF ITEMS WITHOUT WRITTEN PERMISSION. COPYRIGHT © 1976 DIGITAL EQUIPMENT CORPORATION.

ADDRESS 5412411-0-0



D

C

E

B

A



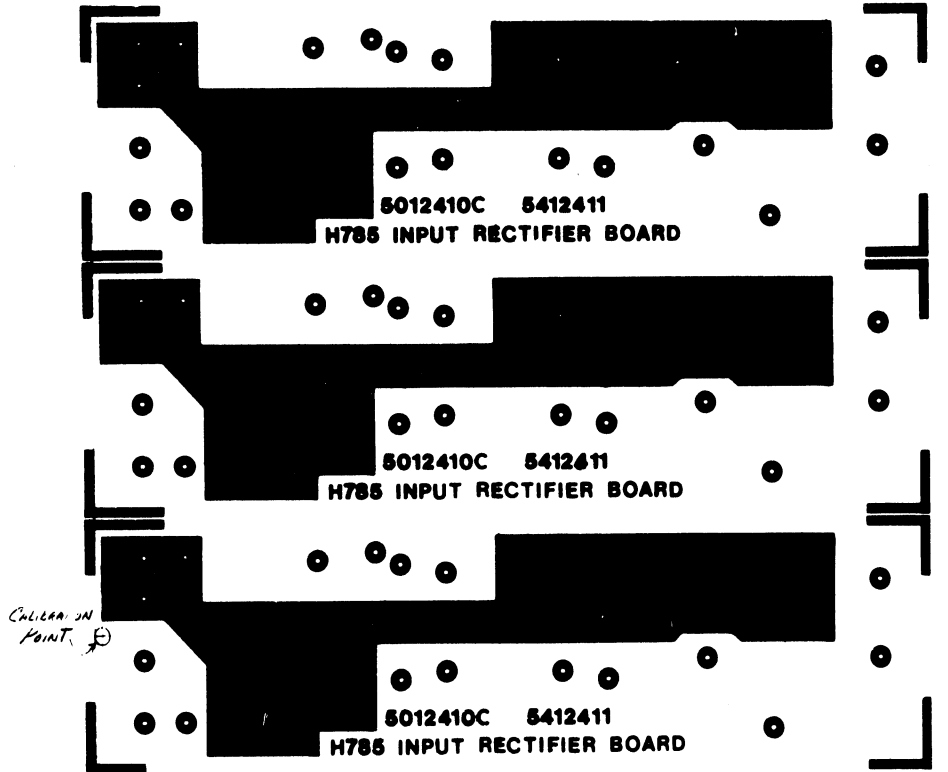
5412411-0-0

D

REVISIONS		
CHK	CHANGE NO.	REV.

TITLE	SIZE CODE	NUMBER	REV.
INPUT RECTIFIER BOARD	D 1A	5412411-0-0	E
SCALE 2/1	SHEET 2 OF 3	DIST	

"THIS DRAWING AND SPECIFICATIONS HEREIN ARE THE PROPERTY OF DIGITAL EQUIPMENT CORPORATION, AND SHALL NOT BE REPRODUCED OR COPIED OR USED IN WHOLE OR IN PART AS THE BASIS FOR THE MANUFACTURE OF SALE OF ITEMS WITHOUT WRITTEN PERMISSION. COPYRIGHT © 1972 DIGITAL EQUIPMENT CORPORATION"



REVISIONS		
CHK	CHANGE NO	REV

TITLE	SIZE CODE	NUMBER	REV.
INPUT RECTIFIER BOARD	DUA	5412411-0-0	E
SCALE 2/1	SHEET 3 OF 3	DIST.	

LINE	ITEM	DOCUMENT NO.	PART NO.	DESCRIPTION	QTY	REFERENCE DESIGNATORS
1	1	D-MD-5012410-0-0	5012410-00	5412411	1	
2	2		1110615-00	MR 752 PIV=200 I=22A A264 SM	4	D1-D4
3	3		1210821-02	MATE-N-LOK 2PIN,HOUSING,SKT	2	P5,P6
4	4		1209379-01	MATE-N-LOK PIN 20-14AWG LOOSE	4	
5	5		1302609-00	4.7 K 2W 10% CC (13-00	1	R1
6	6		9009000-00	EYELET, ROLLED FLANGE, .121 OD X .156 LG	2	
7	7		9008390-00	FUSE, REG BLOW, 10.000A, 250V, CERAMIC	1	
8	8		9007203-00	CLIP, FUSE, WITH STOP, SCREW MOUNTED	2	
9	9		9107360-99	WIRE,STRND,18AWG,IPVC UL1429 (91-00 A/R		
10	10		9107430-02	WIRE,STRND,18AWG,IPVC (UL1429) (91-00 A/R		

11 NOTE: MS60954 ETCH REV C CS REV B

REVISION HISTORY			VARIATIONS FOR THIS ASSY.		FIRST USED ON:		DIGITAL EQUIPMENT CORPORATION MAYNARD, MASSACHUSETTS	
CHK	ECO NO	REV			MADE BY:	DATE:	TITLE	
---	00003	E	00		D.BILODEAU	08-MAR-78	PARTS LIST	
					F.GAROFALO	08-MAR-78	INPUT RECTIFIER BOARD	
					J.MERCURI	08-MAR-78		
					R.B.KING	08-MAR-78		
					J.MERCURI	08-MAR-78		
							SIZE: K PL	DOCUMENT NUMBER: 5412411-0-0
							ASSY.NO.: D-UA-5412411-0-0	REV: 3

*THIS DRAWING AND SPECIFICATIONS HEREIN, ARE THE PROPERTY OF DIGITAL EQUIPMENT CORPORATION AND SHALL NOT BE REPRODUCED OR COPIED OR USED IN WHOLE OR IN PART AS THE BASIS FOR THE MANUFACTURE OR SALE OF ITEMS WITHOUT WRITTEN PERMISSION. COPYRIGHT 1978. DIGITAL EQUIPMENT CORPORATION *

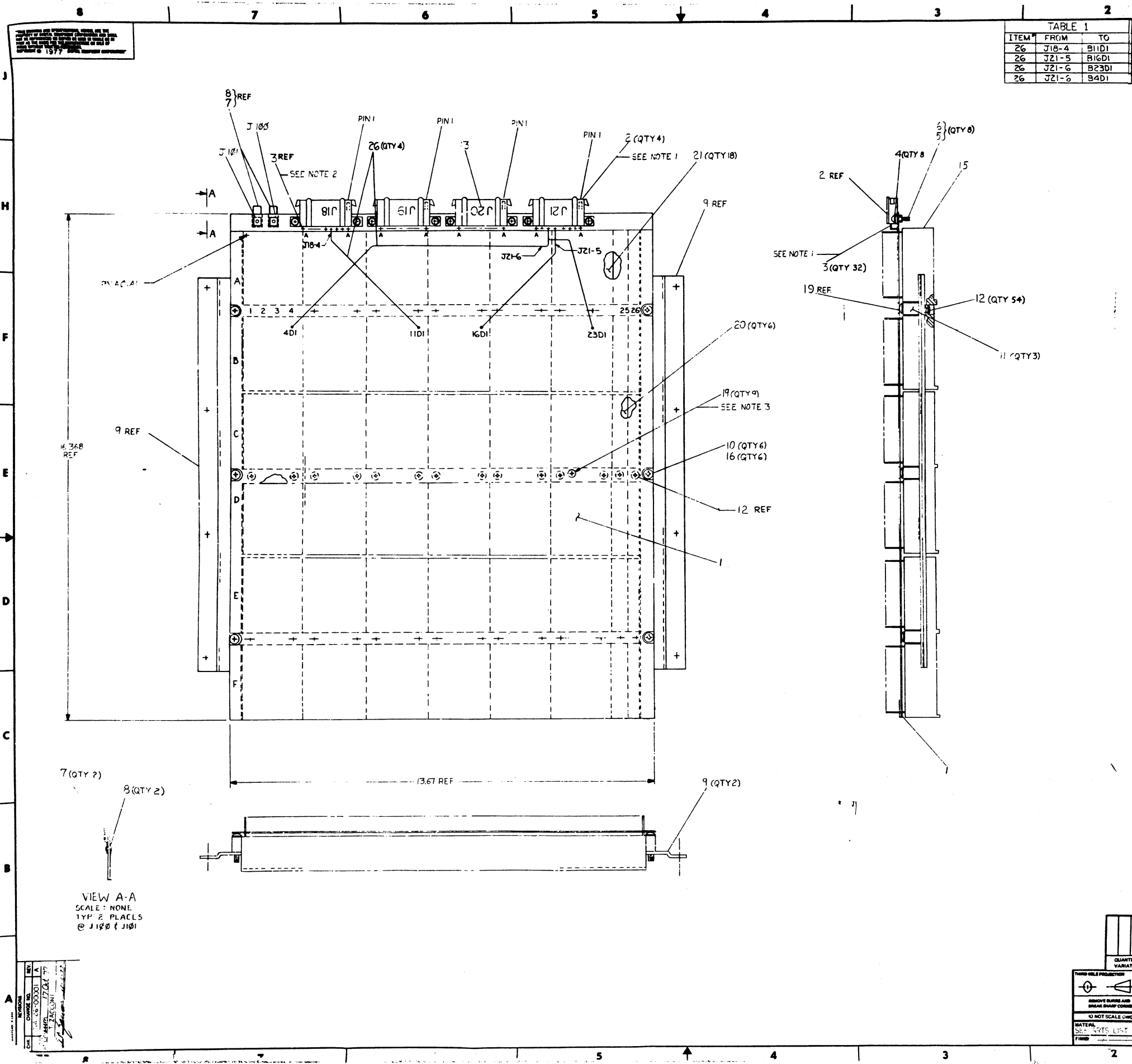
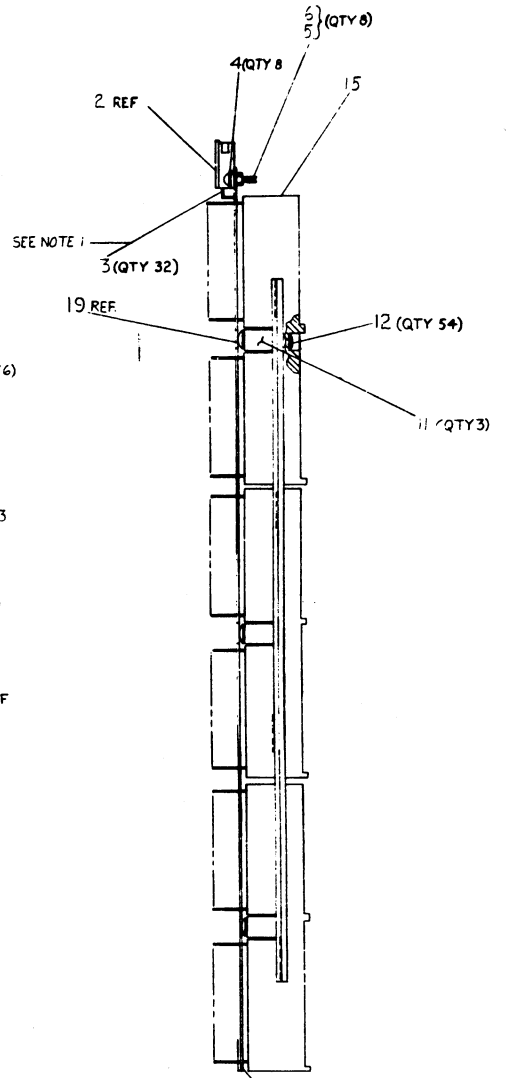


TABLE 1

ITEM	FROM	TO
26	J18-4	B11D1
26	J21-5	B16D1
26	J21-6	B23D1
26	J21-6	B4D1

NOTES

- 1- SOCKETS (PINS) ITEM # 3 LOCATED ON ITEM # 2 TO BE SOLDERED TO BOARD.
- 2- MARK 32 HOLES MARKED 'A' BEFORE SOLDER OPERATION.
- 3- REMOVE ITEM # 3 AFTER SOLDER OPERATION.
- 4- FOR ASSEMBLY PROCESS SEE DOCUMENT NUMBER A-SP-14K11-0-PSA.
- 5- ADD JUMPERS PER TABLE 1 USING ITEM # 26. INSTALL ITEM # 26 BEFORE AWT.



VIEW A-A
SCALE: NONE
TYP & PLACLS
@ 1/8" & 1/16"

REF	DESCRIPTION	QTY	ITEM NO
26	AW WIRE, #24 AWG SOLID GRN	5107600-55	26
25	REF WIRE LIST	A-ME-704226-0-1	25
24	REF PACKAGING INSTRUCTION	A-SP-3700196-0-0	24
23	1 COMPRESS -O- CARTON	790506-5	23
22	REF CIRCUIT SCHEMATIC	D-CS-9412637-0-1	22
21	18 288 PIN CONN BLOCK, SLOT	180259-01	21
20	6 72 PIN CONN BLOCK, SLOT	1211425-00	20
19	9 SCR PH HD PAN SST #4-40-.50	9006013-4	19
18	AW WIRE #30 AWG SOLID YEL	3105740-44	18
17	REF DRILL & ETCH DWG	D-PD-502636-0-0	17
16	5 WASHER INT TOOTH #8	9006634-00	16
15	1 DECAL ASSY REV	A-DC-741181-0-0	15
14	REF AWT REV STATUS	A-WT-704226-0	14
13	AWR DECALS (U)	A-DC-7405873-2-0	13
12	5+ SCR PHL HD FIL 8-32*.62	9004120-06	12
11	3 MEMORY MTG BAR	C-MD-7412943-0-0	11
10	6 SCR PHL PAN HD #2-32*.64	9007846-1	10
9	2 MEMORY MTG BRKT	C-MD-7412933-0-0	9
8	1 EYELET	900510-00	8
7	1 TERM QUICK DISCONNECT	900712-00	7
6	8 SCR PHL PAN #4-40*.38	9006011-1	6
5	8 NUT KEPS #4-40	9006557-00	5
4	3 WASHER, FLAT .125 ID	9006655-00	4
3	32 SOCKET TERM PG 20 MOUNT	1207456-01	3
2	1 CONN, SPIN FEMALE	1207340-00	2
1	1 ETCH ROUT BOARD	D-UR-5412637-0-0	1

QUANTITY & VARIATION

THIRD GEAR PRODUCTION

REMOVE BURRS AND BREAK SHARP CORNERS

DO NOT SCALE DIMS

MATERIAL SPECIFICATION LIST

FINISH

DESCRIPTION

DRAWING NO.

ITEM NO.

DATE

REV

SCALE

SHEET

OF

DET.

BACK PLANE ASSY MK II (MEMORY) IV70

AD704226-0-0

3

DIGITAL EQUIPMENT CORPORATION PARTS LIST

QUANTITY / VARIATION

NOTES:

*USED ON: OPTION/MODEL
MK11*

MADE BY DATE	H. WEINBRENNER 6/24/77	CHECKED DATE	W. ANGELL 6/30/77
ENG DATE	W. Angell 8/13/77	PROD DATE	RA Hill 8/10/77

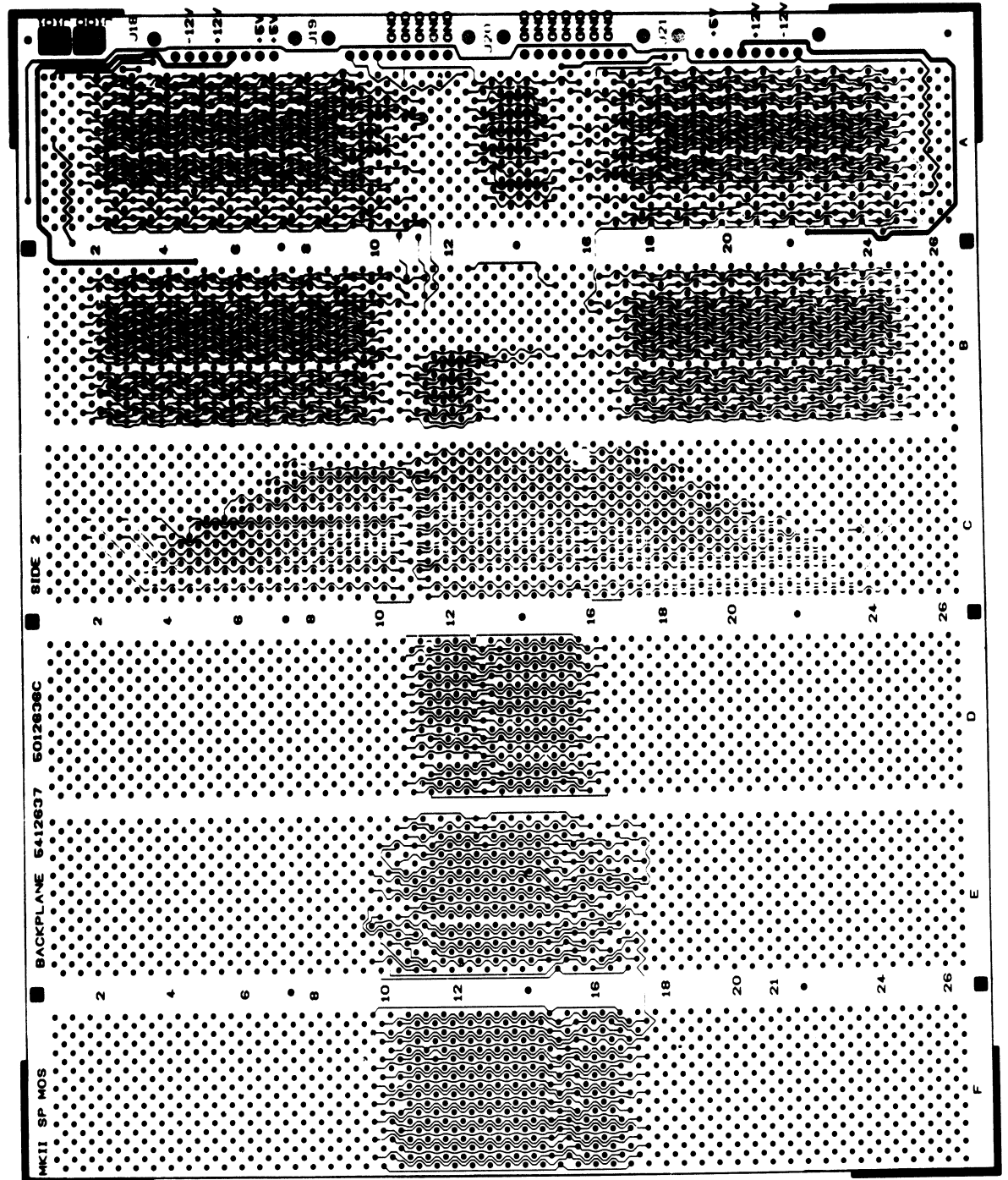
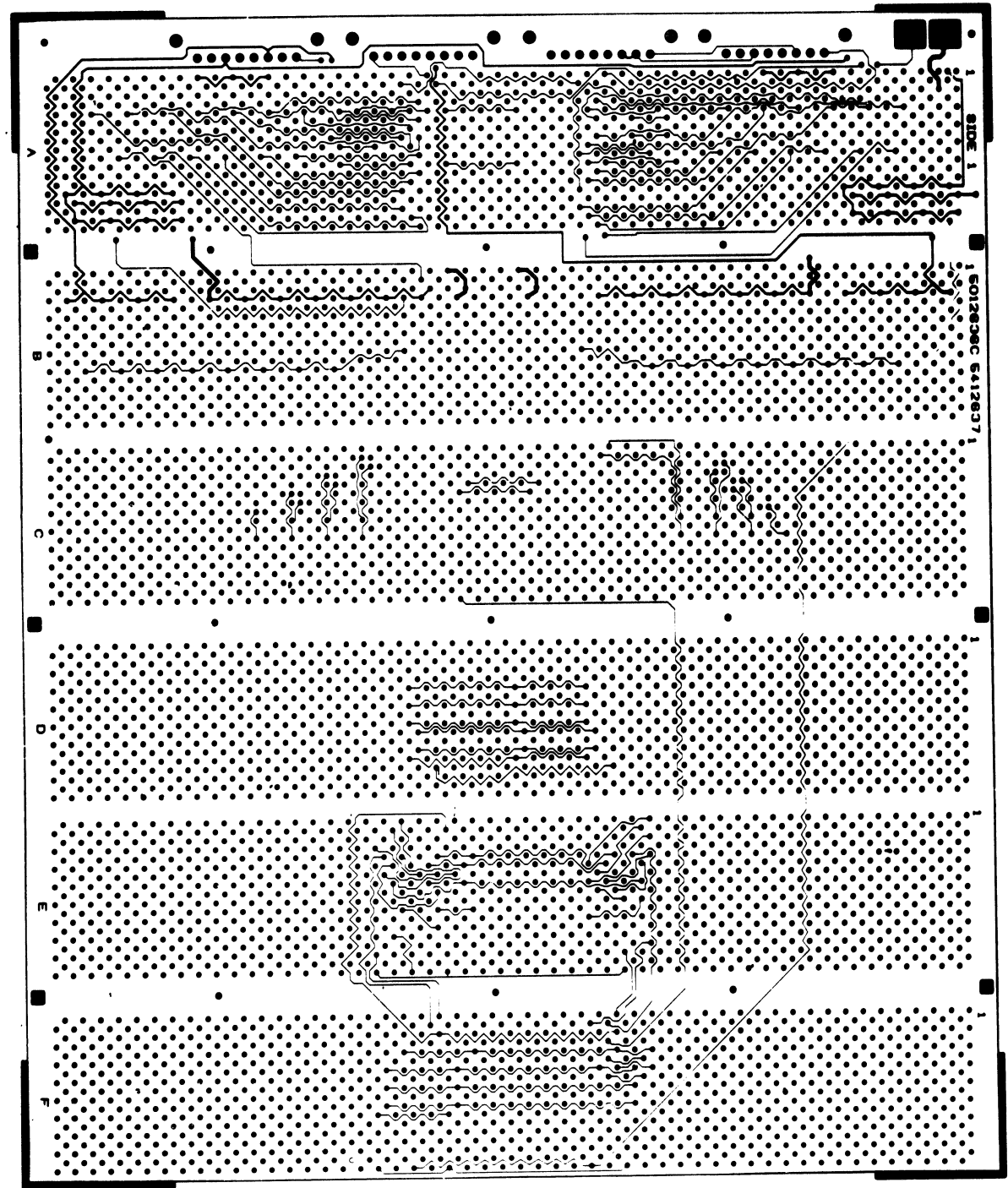
SECTION 1	ISSUED SECTION 1
--------------	---------------------

ITEM NO.	DRAWING NO.	PART NO.	DESCRIPTION	REF	QTY	VAR	UNIT	MATERIAL	REMARKS	REF DESIGNATION
1	D-CS-5412637-0-1	5012636	CIRCUIT SCHEMATIC	REF						
	E-UA-5412637-0-0		UNIT ASSEMBLY	REF						
	B-DD-5412637-0		DRAWING DIRECTORY	REF						
	E-MD-5012636-0-0		DRILL & ETCH DRAWING	REF						
			ETCHED BOARD	1						

E.C.O. NO. _____

THIS DRAWING AND SPECIFICATIONS, HEREIN, ARE THE PROPERTY OF DIGITAL EQUIPMENT CORPORATION AND SHALL NOT BE REPRODUCED OR COPIED OR USED IN WHOLE OR IN PART AS THE BASIS FOR THE MANUFACTURE OR SALE OF ITEMS WITHOUT WRITTEN PERMISSION. COPYRIGHT © 1977 DIGITAL EQUIPMENT CORPORATION	TITLE MK11 SP. MOS BACKPLANE	ASSY NO. E-UA-5412637-0-0	SIZE B	CODE PL	NUMBER 5412637-0-0	REV. B
		SHEET 1 OF 1	INSERTION PARTS LIST DATA BASE REV			

THIS DRAWING AND SPECIFICATIONS, HEREIN, AND THE PROPERTY OF DIGITAL EQUIPMENT CORPORATION AND SHALL NOT BE REPRODUCED OR COPIED IN WHOLE OR IN PART AS THE BASIS FOR THE CONSTRUCTION OF ANY OTHER DRAWING WITHOUT WRITTEN PERMISSION. DIGITAL EQUIPMENT CORPORATION



NOTES:

CHG	NO	REV

SIGNATURES		DATE	digital
DRN. <i>C. Brown</i>		7/29/77	
CHK'D. <i>J. Brown</i>		7/29/77	TITLE MKII SP MOS BACKPLANE
ENG. <i>W. Angell</i>		8/8/77	
PROJ. ENG. <i>W. Angell</i>		8/8/77	SIZE CODE NUMBER REV
PROD. <i>R. Hill</i>		8/10/77	
SCALE	1-1	D	CS 5412637-0-1 B
SHT.	1 OF 1	ETCH REV C FIRST USED ON MKII	

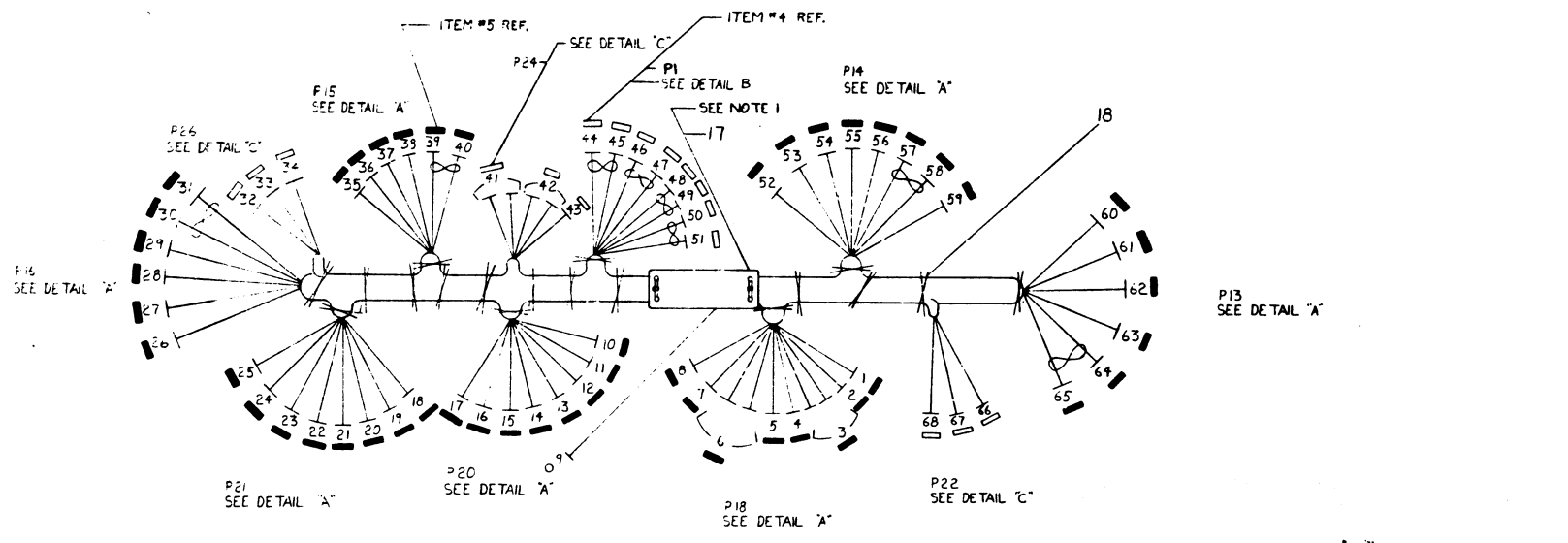
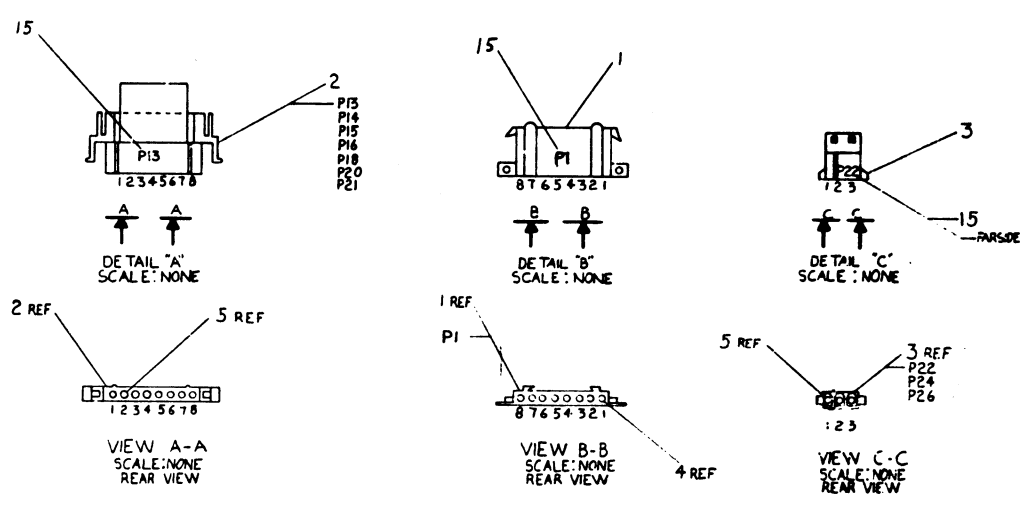
REVISION: D CS 5412637-C-1 B

US

D

WIRE TABLE								
ITEM NO.	AWG	COLOR	POINT	CONNECTION	WIDTH	POINT	CONNECTION	WIDTH
10	14	RED	1	P18-1	5	56	P14-5	5
10	14	RED	2	P18-2	5	53	P14-2	5
10	14	RED	24	P21-7	4	52	P14-1	5
11		GRAY	4	P18-4	5	62	P15-4	5
11		GRAY	22	P21-5	4	37	P15-4	5
11		GRAY	23	P21-6	4	28	P16-4	5
9		ORN	5	P18-3	5	60	P13-1	5
9		ORN	20	P21-3	4	26	P16-1	5
9		ORN	21	P21-4	4	35	P15-1	5
8		BRN	7	P18-7	5	63	P13-6	5
8		BRN	18	P21-1	4	29	P16-6	5
8		BRN	19	P21-2	4	38	P15-6	5
1		BLK	12	P20-3	4	61	P13-2	5
1		BLK	13	P20-4	4	55	P14-4	5
1		BLK	14	P20-5	4	54	P14-3	5
1		BLK	15	P20-6	4	27	P16-2	5
1		BLK	16	P20-7	4	36	P15-2	5
19		BLK	17	P20-8	4	59	P14-8	5
12	14	RED	30	P16-7	4	44	P1-8	4
12	TWP	WHT	31	P16-8	4	43	P1-7	4
14	14	RED	39	P15-7	4	46	P1-6	4
14	TWP	WHT	40	P15-8	4	47	P1-5	4
14	14	RED	57	P14-6	4	48	P1-4	4
12	TWP	WHT	58	P14-7	4	49	P1-3	4
12	14	RED	64	P13-7	4	50	P1-2	4
12	TWP	WHT	65	P13-8	4	51	P1-1	4
14	14	RED	34	P24-3	4	25	P21-8	5
14	14	RED	43	P24-3	4	10	P20-1	5
14	14	RED	66	P22-3	4	8	P18-8	5
7		BLK	11	P20-2	4	9	LUG	6
2		VIO	32	P24-2	4	41	P24-2	4
2		VIO	3	P18-3	5	68	P22-2	5
13		VEL	33	P24-1	4	42	P24-1	4
13	18	VEL	6	P18-6	5	67	P22-1	4

NOTES:
 1-MOUNT LABEL W/ITEM #17 APPROX. AS SHOWN USING CABLE TIES (ITEM #8)
 2-STRIP + CRIMP PER DWG # 7665267-0-0



DO NOT REDUCE SCALE 6IN 12IN
 FOR MANUFACTURING PURPOSES ONLY

SYMBOL	DESCRIPTION	QUANTITY	UNIT
W	WIRE #18 STRD. INS VIO #07360-77	20	
W	WIRE #18 STRD. INS BLK #07370-00	14	
X	WIRE CABLE #00703-00	18	
L	LABEL, HARNESS IDENT. #089532-00	17	
W	WIRE #18 STRD. INS WHT #07360-77	14	
W	WIRE #18 STRD. INS RED #07360-44	14	
W	WIRE #18 STRD. INS GRAY #07370-28	14	
W	WIRE #18 STRD. INS ORN #07370-33	14	
W	WIRE #18 STRD. INS BRN #07370-11	14	
W	WIRE #18 STRD. INS BLK #07360-09	14	
O	TERMINAL (B HOLE) #007199-01	6	
□	TERMINAL (MALE) #004378-01	8	
□	TERMINAL (FEMALE) #2091579-00	4	
□	CONNECTOR (FEMALE) 1 PIN #20827-03	3	
□	CONNECTOR (MALE) 1 PIN #20840-01	3	
□	CONNECTOR (FEMALE) 1 PIN #009340-00	3	

SYMBOLS

QUANTITY & VARIATION

DATE: 2008-08-08

SCALE: 1/1

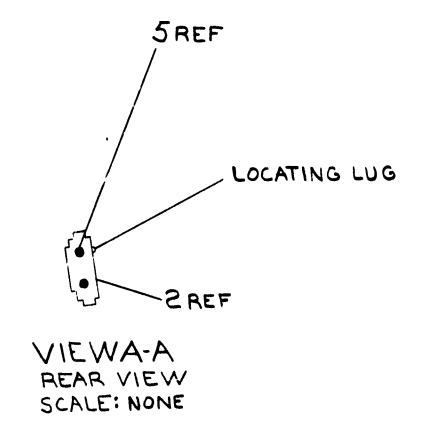
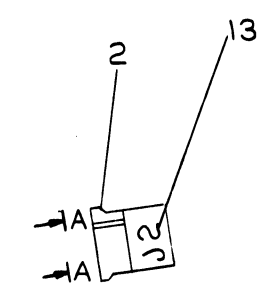
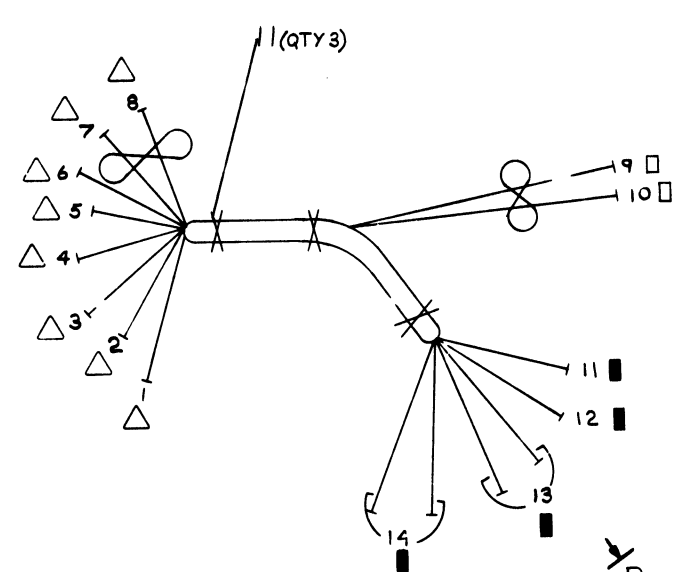
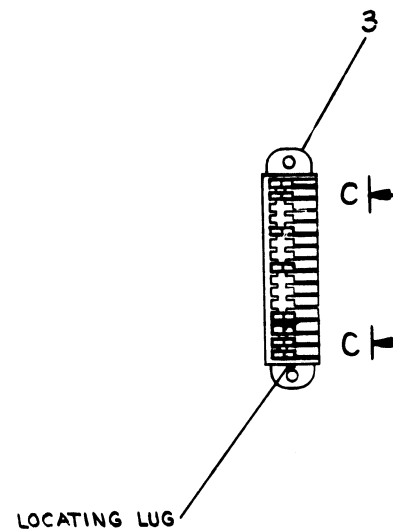
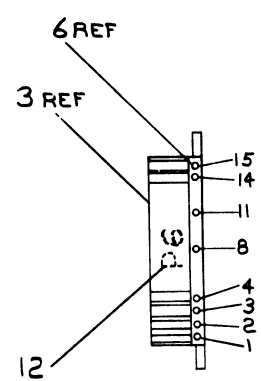
SHEET: 1 OF 1

TITLE: PWR HARNESS MKII

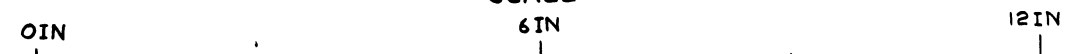
REV: 1

This drawing and specifications, herein, are the property of Digital Equipment Corporation and shall not be reproduced or copied in whole or in part without written permission. COPYRIGHT © 1974 DIGITAL EQUIP CORP.

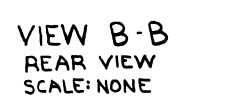
WIRE TABLE								
ITEM NO	DESCRIPTION	FROM			TO			
		AWG	COLOR	POINT	CONNECTION	TERM	POINT	CONNECTION
10	18	VIO	1	P6-1	6	13	P19-7	4
10	18	VIO	2	P6-2	6	13	P19-7	4
9	18	YEL	3	P6-3	6	14	P19-8	4
9	18	YEL	5	P6-8	6	14	P19-8	4
8	18	BLK	4	P6-4	6	12	P19-5	4
8	18	BLK	6	P6-11	6	11	P19-4	4
7	18	WHT	7	P6-14	6	10	J2-1	5
TWP	18	RED	8	P6-15	6	9	J2-2	5



DO NOT REDUCE SCALE



FOR MANUFACTURING PURPOSES ONLY



A/R	DESCRIPTION	PART NO.	QTY
A/R	PWR HARN. DECAL (J)	A-DC7409873-00	13
A/R	PWR HARN. DECAL (P)	A-DC7409872-00	12
3	TIE, CABLE	9007880	11
70"	WIRE, *18AWG, VIOLET	9107360-77	10
70"	WIRE, *18AWG, YEL	9107360-44	9
70"	WIRE, *18AWG, BLK	9107360-00	8
70"	WIRE, TWP *18AWG, RED/WHT	9107430-29	7
△	8 TERMINAL, RIGHT ANGLE	1210381	6
□	2 TERMINAL, FEMALE	1209379-01	5
■	4 TERMINAL, MALE	1209378-01	4
1	HOUSING, TERMINAL	1210380-07	3
1	CONN. 2PIN FEMALE	1210821-2	2
1	CONN. 8PIN MALE	1209340-01	1

OPTION / MODEL	SYM	QTY.	DESCRIPTION	PART NO.	ITEM NO.
MJ11-A					

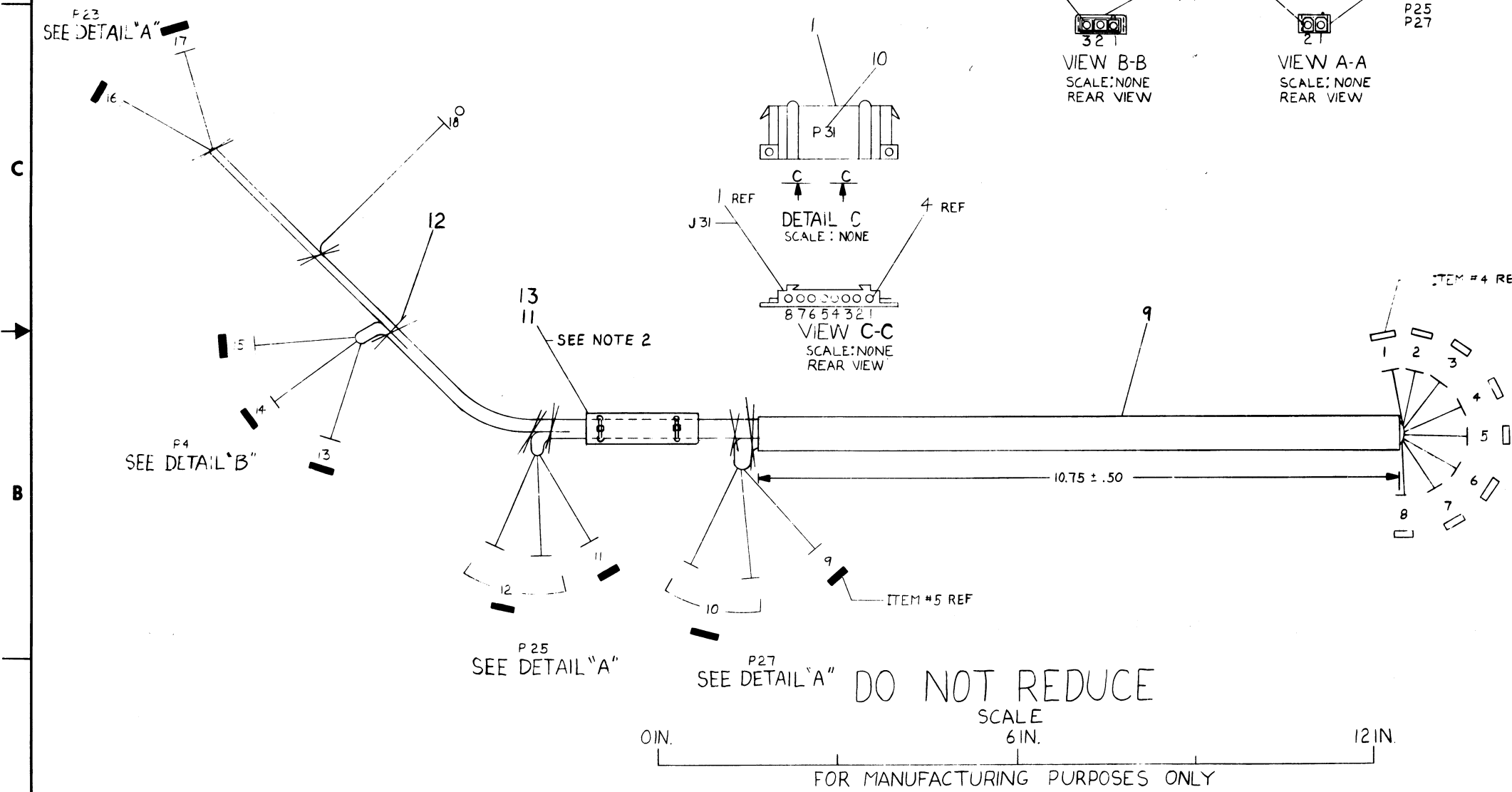
UNLESS OTHERWISE SPECIFIED DIMENSION IN INCHES. TOLERANCES	DRN: [Signature]	DATE: 11/17/77	EQUIPMENT CORPORATION WIRE HARNESS A.C./D.C. LOW (MJ11-A)
DECIMALS ANGLES	CHK'D: [Signature]	DATE:	
.XXX - .006 ±0° 30'	ENG: [Signature]	DATE: 1/18/78	
.XX - .02	PROJ. ENG: [Signature]	DATE: 1/18/78	
.X - .1	PROD: [Signature]	DATE: 1/18/78	
REMOVE BURRS AND BREAK SHARP CORNERS SURFACE QUALITY	NEXT HIGHER ASSY.		SIZE CODE: DIA
MATERIAL	SEE PARTS LIST		NUMBER: 7010581-0-0
FINISH	SCALE: 1/1	SHEET: 1 OF 1	REV.:

REVISIONS
 CHANGE NO.
 REV.
 DEC FORM NO. ORD 100-A

THIS DRAWING AND SPECIFICATIONS HEREIN ARE THE PROPERTY OF DIGITAL EQUIPMENT CORPORATION AND SHALL NOT BE REPRODUCED OR COPIED OR USED IN WHOLE OR IN PART AS THE BASIS FOR THE MANUFACTURE OR SALE OF ITEMS WITHOUT WRITTEN PERMISSION. COPYRIGHT © 1977, DIGITAL EQUIPMENT CORPORATION

WIRE TABLE									
ITEM NO	DESCRIPTION	FROM			TO			REMARKS	
		AWG	COLOR	POINT	CONNECTOR	WITH	POINT		CONNECTOR
7	18	RED	17	P23-1	5	12	P25-1	5	
		RED	10	P27-1	5	8	P31-1	4	
7		RED	15	P4-2		6	P31-4		
6		BLK	16	P23-2		2	P31-7		
		BLK	13	P4-3		7	P31-2		
		BLK	11	P25-2		3	P31-6		
6		BLK	9	P27-2	5	4	P31-5	4	
6		BLK	1	P31-8	4	18	LUG	13	
8	18	WHT	14	P4-1	5	5	P31-3	4	

NOTES
 1. STRIP+CRIMP PER DWG 765267-0-C
 2. MOUNT SERIAL TAG (ITEM#11) APPROX. AS SHOWN USING CABLE TIES (ITEM#12) CABLE TIES TO BE SNUG, DO NOT CRUSH CABLE.



SEE DETAIL "A"
 SEE DETAIL "B"
 SEE DETAIL "C"

ITEM	DESCRIPTION	DWG./PART NO.	ITEM NO.
1	TERMINAL, 10 HOLE	9207930-00	13
X	A/R TIE, CABLE	9007031-00	12
1	LABEL, HARNESS IDENT	9009532-00	11
A/R	DECALS (P)	A-DC 7409872-2-0	10
A/R	SLEEVING, .425 DIA	9107444-00	9
A/R	WIRE, #18 STRD, NS WHT	9107559-19	8
A/R	WIRE, #18 STRD, NS RED	9107750-22	7
A/R	WIRE, #18 STRD, NS BLK	9107550-00	6
9	TERMINAL (MALE)	1209376-01	5
8	TERMINAL (FEMALE)	1209379-01	4
3	CONNECTOR (MALE) 2 PIN	1210922-02	3
1	CONNECTOR (MALE) 3 PIN	1209351-03	2
1	CONNECTOR (FEMALE) 3 PIN	1209340-00	1

SYMBOLS	DESCRIPTION	DWG./PART NO.	ITEM NO.
QUANTITY & VARIATION	UNLESS OTHERWISE SPECIFIED DIMENSIONS ARE IN INCHES		
THIRD ANGLE PROJECTION	DRN. P. [Signature]	15 MAY 77	FIRST USED ON MK II
REMOVE BURRS AND BREAK SHARP CORNERS	CHK'D [Signature]	20 MAR 77	TITLE HARNESS, BOX CONTROL, INTERNAL (MK II)
DO NOT SCALE DWG	PROJ. ENG. [Signature]	27 MAR 77	PROJ. R. Q. HALL
MATERIAL SEE PARTS LIST	D-AD-7014614-0-0	SIZE D	CODE IA
FINISH	SCALE 1/1	SHEET 1	OF 1

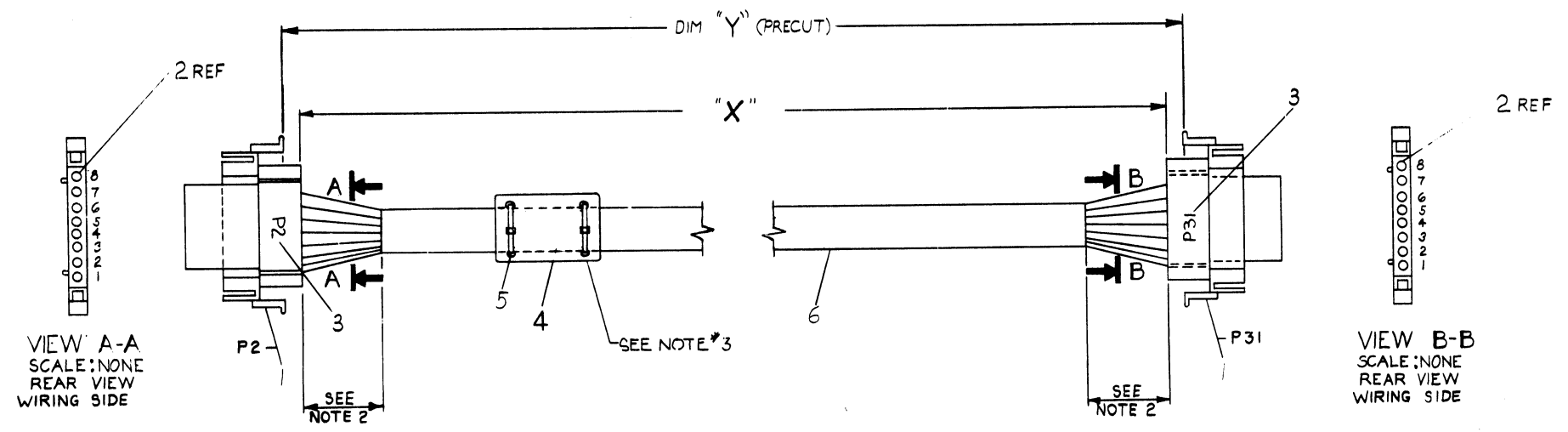
REV.	NO.
CHK	

"THIS DRAWING AND SPECIFICATIONS HEREIN ARE THE PROPERTY OF DIGITAL EQUIPMENT CORPORATION AND SHALL NOT BE REPRODUCED OR COPIED OR USED IN WHOLE OR IN PART AS THE BASIS FOR THE MANUFACTURE OR SALE OF ITEMS WITHOUT WRITTEN PERMISSION.
COPYRIGHT © 1977, DIGITAL EQUIPMENT CORPORATION"

WIRE TABLE						
ITEM NO.	DESCRIPTION	FROM	TO	WITH	CONNECTION	WITH
6	18	BROWN	P2-1	2	P31-1	2
	↑	RED	P2-2	↑	P31-2	↑
		ORN	P2-3		P31-3	
		YEL	P2-4		P31-4	
		GRN	P2-5		P31-5	
		BLUE	P2-6		P31-6	
	↓	VIO	P2-7	↓	P31-7	↓
	18	GREY	P2-8	2	P31-8	2

LEGEND		
NUMBER	DIM "X" VARIATION	DIM "Y" (PRECUT) REF
7014311-9F	9 FT 6IN±2IN	9 FT 6.5 IN
7014311-1F	1 FT 6IN±2IN	1 FT 6.5 IN
7014311-4F	4 FT 6IN±2IN	4 FT 6.5 IN

- NOTES:
1. STRIP # CRIMP PER DWG NO 7665267-0-0
 2. LENGTH OF SLIT 1.25 INCHES
 3. MOUNT LABEL, CABLE APPRX. AS SHOWN USING CABLE TIES ITEM#5. CABLE TIES TO BE SNUB, DO NOT CRUSH CABLE



QTY	DESCRIPTION	DWG. PART NO.	ITEM NO.
4/R	CABLE FLAT & COND. STRD #18AWG	1700098-01	6
2	TIE, CABLE	9:07091-00	5
1	LABEL, CABLE IDENT	9009592-00	4
A/R	DECAL (P)	A DC-7409872-2-0	3
16	TERMINAL (MALE)	1209378-01	
2	CONNECTOR, MALE	1209340-01	1

UNLESS OTHERWISE SPECIFIED DIMENSIONS ARE IN INCHES	
ANGLES 20° 30°	CLASS OF ACCURACY
SURFACE QUALITY IN	(CHECK ONE)
QUANTITY & VARIATION	MEDIUM
THIRD ANGLE PROJECTION	PREFERRED
DRN. <i>W. W. W.</i> 6-10-77	FIRST USED ON MKII
CHK'D. <i>W. W. W.</i> 9-58-77	TITLE
ENG. <i>A. P. P.</i> 10-28-77	CABLE, BOX CONTROLLER EXT
PROJ. ENG. <i>A. P. P.</i>	SIZE CODE
PROD. <i>A. P. P.</i>	D IA
REMOVE BURRS AND BREAK SHARP CORNERS	NUMBER
DO NOT SCALE DWG	7014311-0-0
MATERIAL SEE PARTS LIST	REV
FINISH	A
SHEET 1 OF 1	DIST.

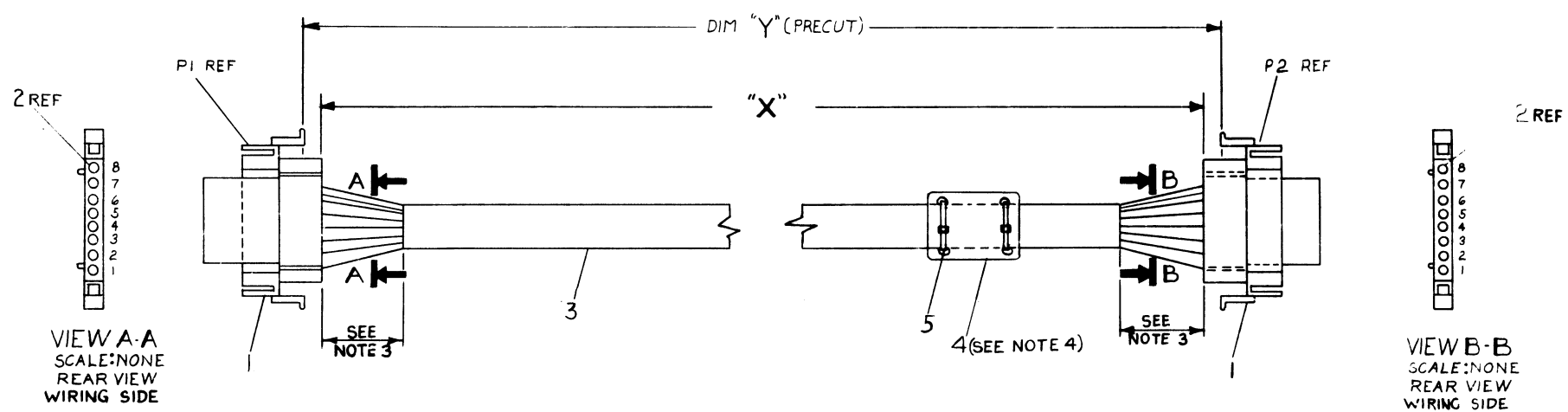
REV.	CHANGE NO.	DATE
1	1014311-1W001	A
2	1014311-1W001	A
3	1014311-1W001	A
4	1014311-1W001	A
5	1014311-1W001	A
6	1014311-1W001	A
7	1014311-1W001	A
8	1014311-1W001	A

THIS DRAWING AND SPECIFICATIONS HEREIN ARE THE PROPERTY OF DIGITAL EQUIPMENT CORPORATION AND SHALL NOT BE REPRODUCED OR COPIED OR USED IN WHOLE OR IN PART AS THE BASIS FOR THE MANUFACTURE OR SALE OF ITEMS WITHOUT WRITTEN PERMISSION.
COPYRIGHT © 1977, DIGITAL EQUIPMENT CORPORATION

WIRE TABLE						
ITEM NO.	DESCRIPTION	COLOR	FROM		TO	
			CONNECTION	WITH	CONNECTION	WITH
5	14	BROWN	P1-1	2	P2-1	2
		RED	-2		-2	
		ORN	-3		-3	
		YEL	-4		-4	
		GRN	-5		-5	
		BLUE	-6		-6	
		VIO	-7		-7	
5	14	GREY	P1-8	2	P2-8	2

LEGEND		
NUMBER	DIM "X" VARIATION	DIM "Y" (PRECUT) REF.
7014520-08	8 FT 0 IN ± 2 IN	8 FT. 5 IN
7014520-05	5 FT 0 IN ± 2 IN	5 FT. 5 IN

- NOTES:
1. STRIP & CRIMP PER DWG NO 7665267-0-0
 2. SLITTING FIXTURE
 3. LENGTH OF SLIT 1.25 INCHES
 4. MOUNT LABEL, CABLE APPROX AS SHOWN USING CABLE TIES ITEM #5. CABLE TIES TO BE SNUG, DO NOT CRUSH CABLE.



QTY	DESCRIPTION	DWG./PART NO.	ITEM NO.
2	TIE CABLE	9007031-00	5
1	LABEL, CABLE IDENT.	9009532-00	4
1	CABLE, FLAT SCOND #14 AWG	1700098-00	3
1	TERMINAL (MALE)	1209378-01	2
2	CONNECTOR (MALE)	1209340-01	1

UNLESS OTHERWISE SPECIFIED DIMENSIONS ARE IN INCHES					
ANGLES 30° 30'	CLASS OF ACCURACY	NOMINAL DIMENSION RANGE INCHES			
		OVER 0 TO 1.25	OVER 1.25 TO 2.5	OVER 2.5 TO 4.0	OVER 4.0 TO 6.0
<input checked="" type="checkbox"/>	MEDIUM	±.004	±.005	±.007	±.009
<input checked="" type="checkbox"/>	PREFERRED	±.012	±.015	±.020	±.025

THIRD ANGLE PROJECTION	DRN. <i>John</i> 6-10-77	FIRST USED ON	MK11
REMOVE BURRS AND BREAK SHARP CORNERS	CHK'D. <i>Noon</i> 7-5-77	TITLE	CABLE, POWER BATTERY BACKUP
DO NOT SCALE DWG	PRJ. ENG. <i>John</i> 9-20-77	SIZE	D
MATERIAL SEE PARTS LIST	PROD. <i>John</i> 9-20-77	CODE	TA
FINISH	NEXT HIGHER ASSY.	NUMBER	7014520-0-0
		REV.	A

REV.	CHANGE NO.	REV.
1	7014520-TW001A	A
2	1-1-78	B
3	R. WOLF	C
4	R. Wolf / P. K... 5/24/78	D

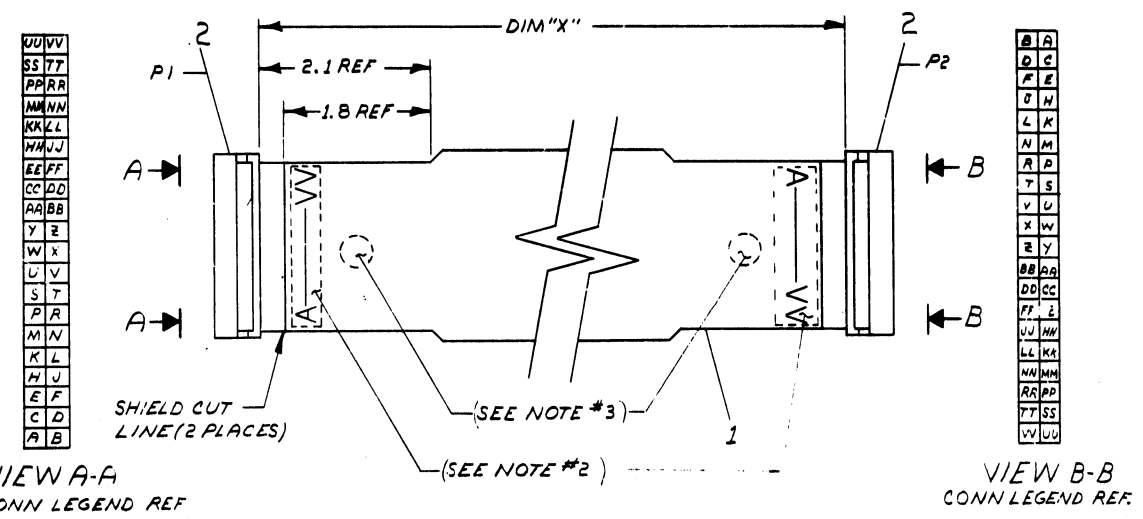
INC FORM NO. 101-10-C

"THIS DRAWING AND SPECIFICATIONS, HEREIN, ARE THE PROPERTY OF DIGITAL EQUIPMENT CORPORATION AND SHALL NOT BE REPRODUCED OR COPIED OR USED IN WHOLE OR IN PART AS THE BASIS FOR THE MANUFACTURE OR SALE OF ITEMS WITHOUT WRITTEN PERMISSION. COPYRIGHT © 1976 DIGITAL EQUIPMENT CORPORATION"

WIRE TABLE			
FROM	TO	FROM	TO
P1-A	P2-VV	P1-Y	P2-X
P1-B	P2-UU	P1-Z	P2-VV
P1-C	P2-TT	P1-AA	P2-V
P1-D	P2-SS	P1-BB	P2-U
P1-E	P2-RR	P1-CC	P2-T
P1-F	P2-PP	P1-DD	P2-S
P1-H	P2-NN	P1-EE	P2-R
P1-J	P2-MM	P1-FF	P2-P
P1-K	P2-LL	P1-HH	P2-N
P1-L	P2-KK	P1-JJ	P2-M
P1-M	P2-JJ	P1-KK	P2-L
P1-N	P2-HH	P1-LL	P2-K
P1-P	P2-FF	P1-MM	P2-J
P1-R	P2-EE	P1-NN	P2-H
P1-S	P2-DD	P1-PP	P2-F
P1-T	P2-CC	P1-RR	P2-E
P1-U	P2-BB	P1-SS	P2-D
P1-V	P2-AA	P1-TT	P2-C
P1-W	P2-Z	P1-UU	P2-B
P1-X	P2-Y	P1-VV	P2-A

LEGEND		
NUMBER	DIM "X"	PRECUT LENGTH
BCØBR-Ø1	1.00 FT.	1.00FT 1.5IN±1.00IN
BCØBR-Ø2	2.00 FT.	2.00FT 1.5IN±1.00IN
BCØBR-Ø3	3.00 FT.	3.00FT 1.5IN±1.00IN
BCØBR-Ø4	4.00 FT.	4.00FT 1.5IN±1.00IN
BCØBR-Ø5	5.00 FT.	5.00FT 1.5IN±1.00IN
BCØBR-Ø6	6.00 FT.	6.00FT 1.5IN±2.00IN
BCØBR-Ø7	7.00 FT.	7.00FT 1.5IN±2.00IN
BCØBR-Ø8	8.00 FT.	8.00FT 1.5IN±2.00IN
BCØBR-Ø9	9.00 FT.	9.00FT 1.5IN±2.00IN
BCØBR-10	10.00 FT.	10.00FT 1.5IN±2.00IN
BCØBR-11	11.00 FT.	11.00FT 1.5IN±3.00IN
BCØBR-12	12.00 FT.	12.00FT 1.5IN±3.00IN
BCØBR-13	13.00 FT.	13.00FT 1.5IN±3.00IN
BCØBR-14	14.00 FT.	14.00FT 1.5IN±3.00IN
BCØBR-15	15.00 FT.	15.00FT 1.5IN±3.00IN
BCØBR-16	16.00 FT.	16.00FT 1.5IN±3.00IN
BCØBR-17	17.00 FT.	17.00FT 1.5IN±3.00IN
BCØBR-18	18.00 FT.	18.00FT 1.5IN±3.00IN
BCØBR-19	19.00 FT.	19.00FT 1.5IN±3.00IN
BCØBR-20	20.00 FT.	20.00FT 1.5IN±3.00IN
BCØBR-25	25.00 FT.	25.00FT 1.5IN±3.00IN
BCØBR-30	30.00 FT.	30.00FT 1.5IN±3.00FT
BCØBR-35	35.00 FT.	35.00FT 1.5IN±3.00FT
BCØBR-50	50.00 FT.	50.00FT 1.5IN±1.00FT
BCØBR-60	60.00 FT.	60.00FT 1.5IN±1.20FT
BCØBR-75	75.00 FT.	75.00FT 1.5IN±1.50FT
BCØBR-100	100.00 FT.	100.00FT 1.5IN±2.00FT
BCØBR-130	130.00 FT.	130.00FT 1.5IN±2.00FT
BCØBR-160	160.00 FT.	160.00FT 1.5IN±2.00FT

1. ASSEMBLE THIS CABLE PER PROCESS SPEC #7606485-Ø-Ø.
2. CONNECTOR LEGEND IDENTIFICATION TO BE PLACED ON SHIELD SIDE OF CABLE IN THIS AREA AS SHOWN.
3. INSPECTION & TEST STAMPS TO BE PLACED AT EACH END OF THE CABLE ASSY.
4. STRIP LENGTH SHOULD BE .62 ± 4/32.



REV.	CHG.	NO.	BY	DATE
1	1	1	S. HOLMES	11-22-70
2	1	1	P. GARDNER	11-22-70
3	1	1	P. GARDNER	11-22-70
4	1	1	P. GARDNER	11-22-70
5	1	1	P. GARDNER	11-22-70
6	1	1	P. GARDNER	11-22-70
7	1	1	P. GARDNER	11-22-70
8	1	1	P. GARDNER	11-22-70
9	1	1	P. GARDNER	11-22-70
10	1	1	P. GARDNER	11-22-70

2	CONNECTOR, 4P SOCKET	1211206	2
1	AIR CABLE, 4Ø COND. FLAT W/SHIELD	1700004	1
UNLESS OTHERWISE SPECIFIED DIMENSIONS ARE IN INCHES			
ANGLES ±0° 30'	CLASS OF ACCURACY (CHECK ONE)	NOMINAL DIMENSION RANGE INCHES	
SURFACE QUALITY IN MICROINCHES	MEDIUM <input type="checkbox"/> PREFERRED <input checked="" type="checkbox"/>	OVER 0 TO 0.2	OVER 0.2 TO 0.5
		OVER 0.5 TO 1.0	OVER 1.0 TO 1.5
QUANTITY & VARIATION	MEDIUM <input type="checkbox"/> PREFERRED <input checked="" type="checkbox"/>	±.004 ±.008 ±.012 ±.016 ±.024 ±.04	±.012 ±.018 ±.025 ±.04 ±.063 ±.1
THIRD ANGLE PROJECTION	DRND. FONTAINE 9-28-70	FIRST USED ON	
REMOVE BURRS AND BREAK SHARP CORNERS	CHK'D FLEMING 9-3-70	TITLE	
DO NOT SCALE DWG	ENGR GARDNER 9-2-70	BCØBR	
MATERIAL	PROD. DONALL 9-4-70	1Ø CABLE	
FINISH	NEXT HIGHER ASSY.	SIZE CODE	NUMBER
		D UA	BCØBR-Ø-Ø
		DIST.	M