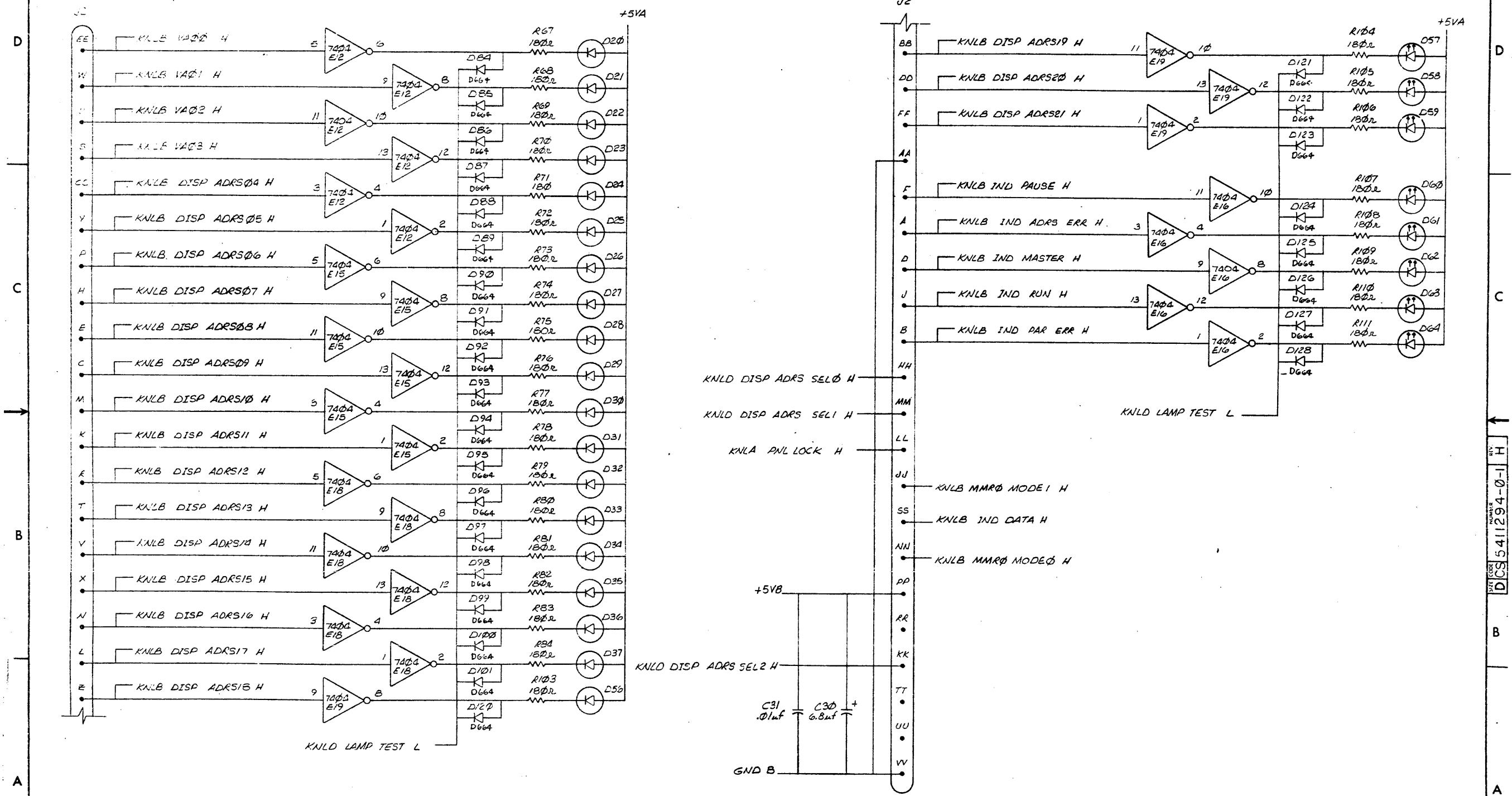


"THIS DRAWING AND SPECIFICATIONS, HEREIN, ARE THE PROPERTY OF DIGITAL EQUIPMENT CORPORATION AND SHALL NOT BE REPRODUCED OR COPIED OR USED IN WHOLE OR IN PART AS THE BASIS FOR THE MANUFACTURE OR SALE OF ITEMS WITHOUT WRITTEN PERMISSION. COPYRIGHT © 1974 DIGITAL EQUIPMENT CORPORATION"

KNL/SCC INTERFACE

DCS 5411294-0-1



REVISIONS		
CHK	CHANGE NO.	REV.

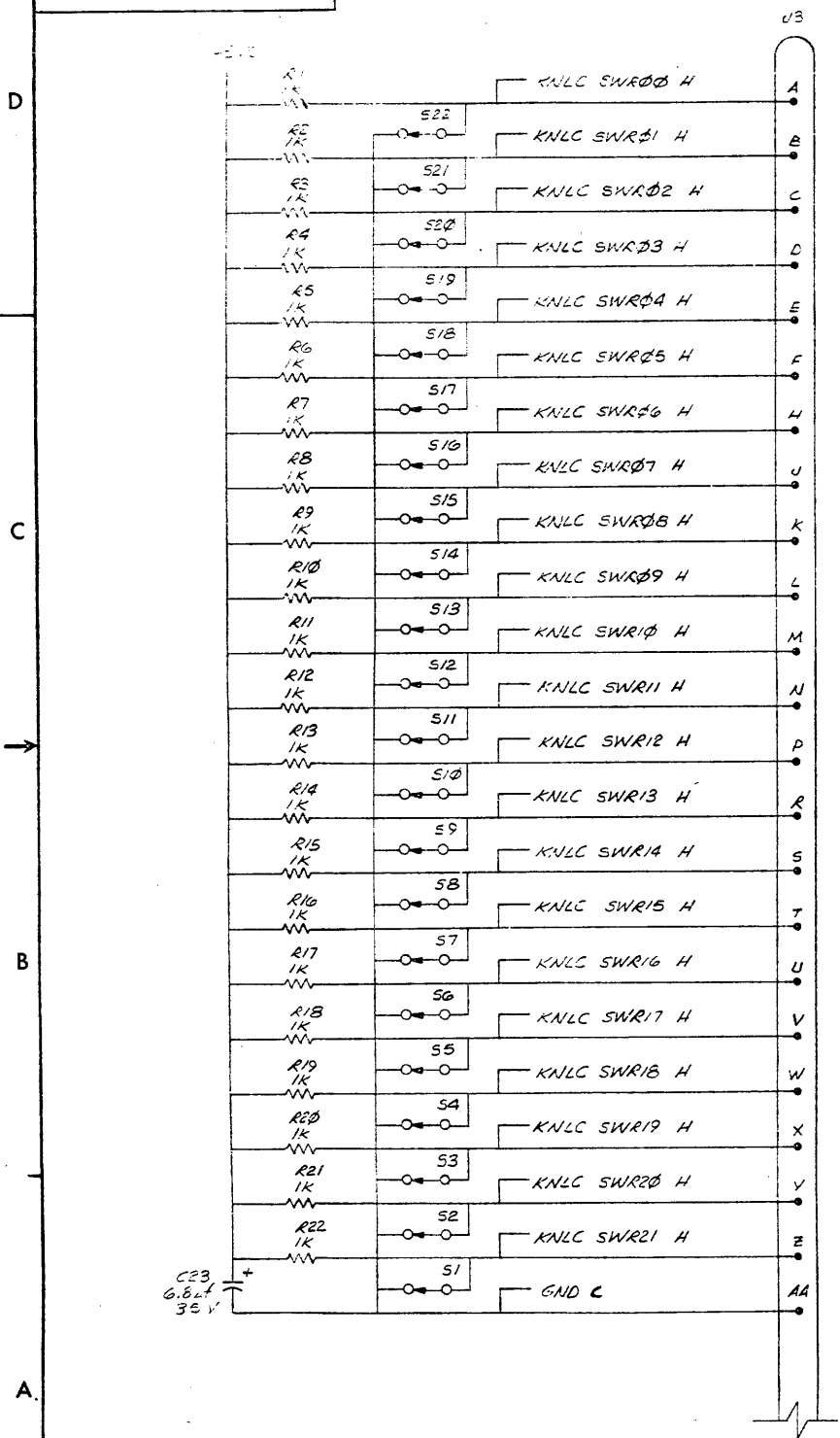
52

8	7	6	5	4	3	2	1		
TITLE CONSOLE BOARD (KNLB)							SIZE CODE DCS	NUMBER 5411294-0-1	REV. H
SCALE 1/16			SHEET 3 OF 5		DIST.		TW		

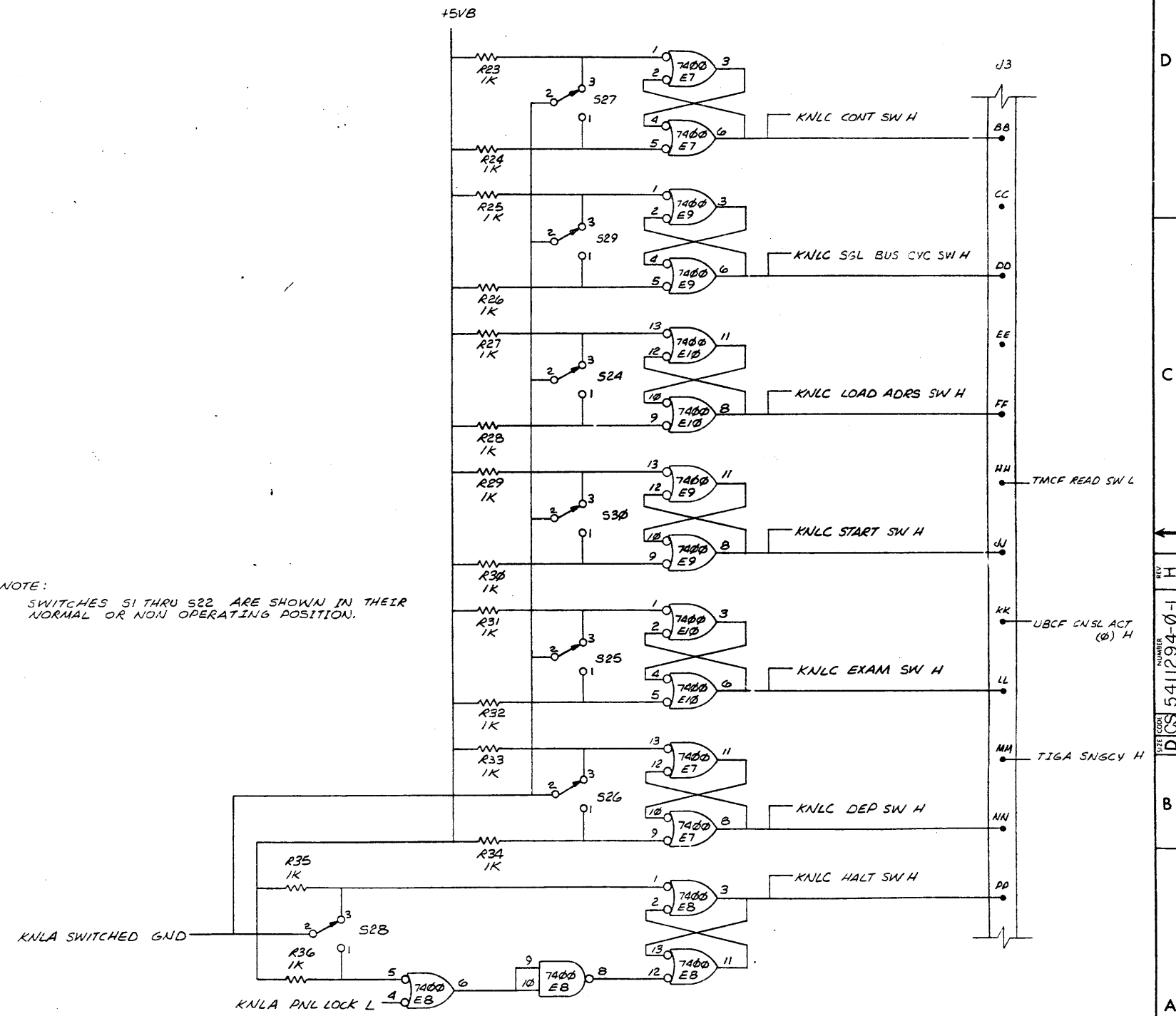
144

THIS DRAWING AND SPECIFICATION RETURN AS THE PROPERTY OF DIGITAL EQUIPMENT CORPORATION AND SHALL BE RETURNED TO THE COMPANY WITHIN 90 DAYS OF THE DATE OF THE ORIGINAL ISSUE. THIS DRAWING IS NOT TO BE REPRODUCED OR COPIED IN ANY MANNER WITHOUT WRITTEN PERMISSION OF DIGITAL EQUIPMENT CORPORATION.

KNLC SSC INTERFACE



NOTE:
SWITCHES S1 THRU S22 ARE SHOWN IN THEIR NORMAL OR NON OPERATING POSITION.



CONSOLE SWITCHES

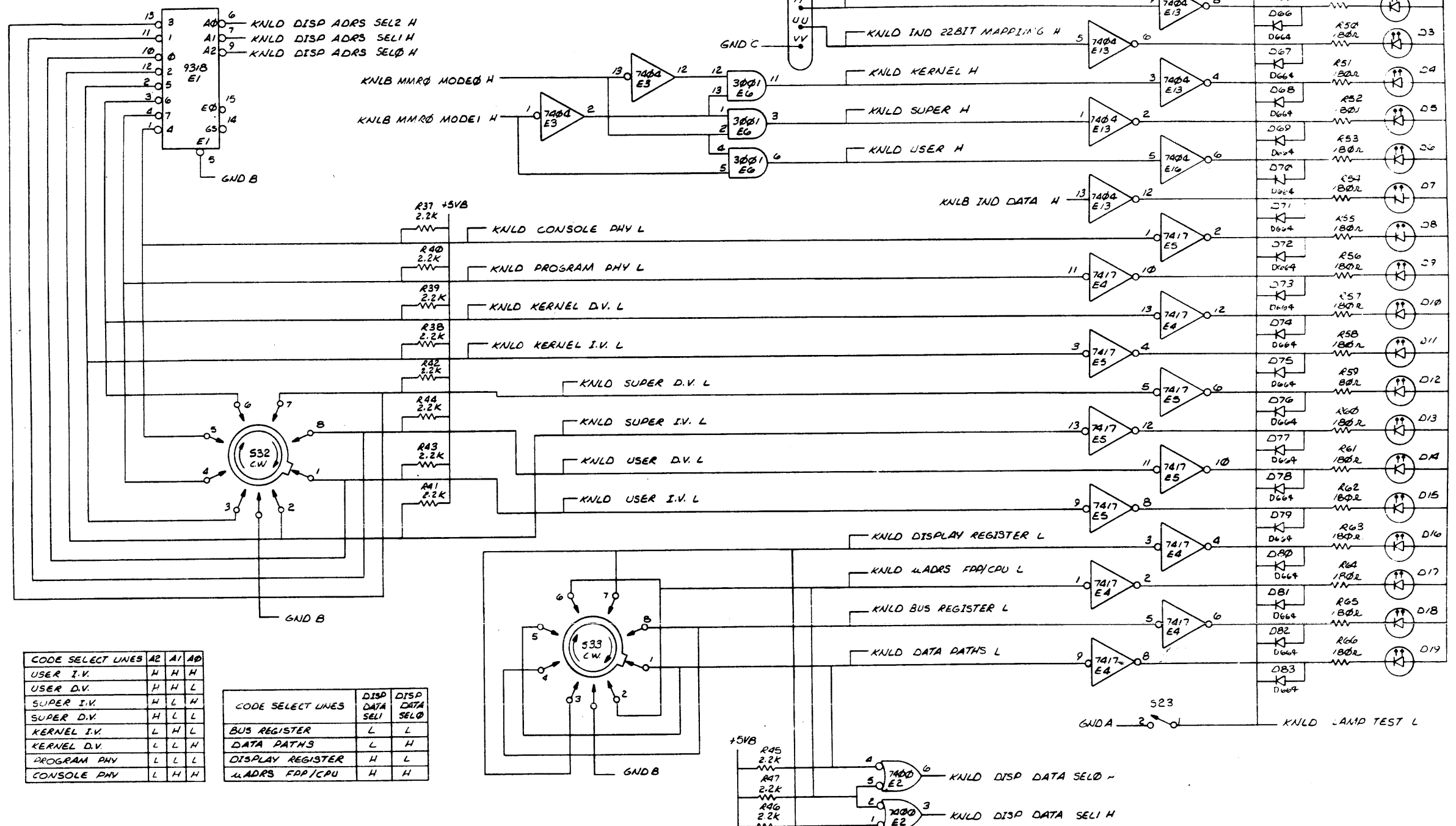
REVISIONS		
CHK	CHANGE NO.	REV.

TITLE	SIZE CODE	NUMBER	REV.
CONSOLE BOARD (KNLC)	D CS	5411294-0-1	H
SCALE	SHEET	OF	DIST.
	4	5	

145

THIS DRAWING AND SPECIFICATIONS HEREIN ARE THE PROPERTY OF DIGITAL EQUIPMENT CORPORATION AND SHALL NOT BE REPRODUCED OR COPIED OR USED IN WHOLE OR IN PART AS THE BASIS FOR THE MANUFACTURE OR SALE OF ITEMS WITHOUT WRITTEN PERMISSION. COPYRIGHT © 1974, DIGITAL EQUIPMENT CORPORATION

DCS 5411294-0-1



CODE SELECT LINES	A2	A1	A0
USER I.V.	H	H	H
USER D.V.	H	H	L
SUPER I.V.	H	L	H
SUPER D.V.	H	L	L
KERNEL I.V.	L	H	L
KERNEL D.V.	L	L	H
PROGRAM PHY	L	L	L
CONSOLE PHY	L	H	H

CODE SELECT LINES	DISP DATA SEL1	DISP DATA SEL0
BUS REGISTER	L	L
DATA PATHS	L	H
DISPLAY REGISTER	H	L
4 ADRS FPP/CPU	H	H

REVISIONS		
CHK	CHANGE NO.	REV.

TITLE: CONSOLE BOARD (KNLD) SIZE CODE: DCS 5411294-0-1 NUMBER: 146
 SCALE: 1/1 SHEET: 5 OF 5 DIST: TW 1