

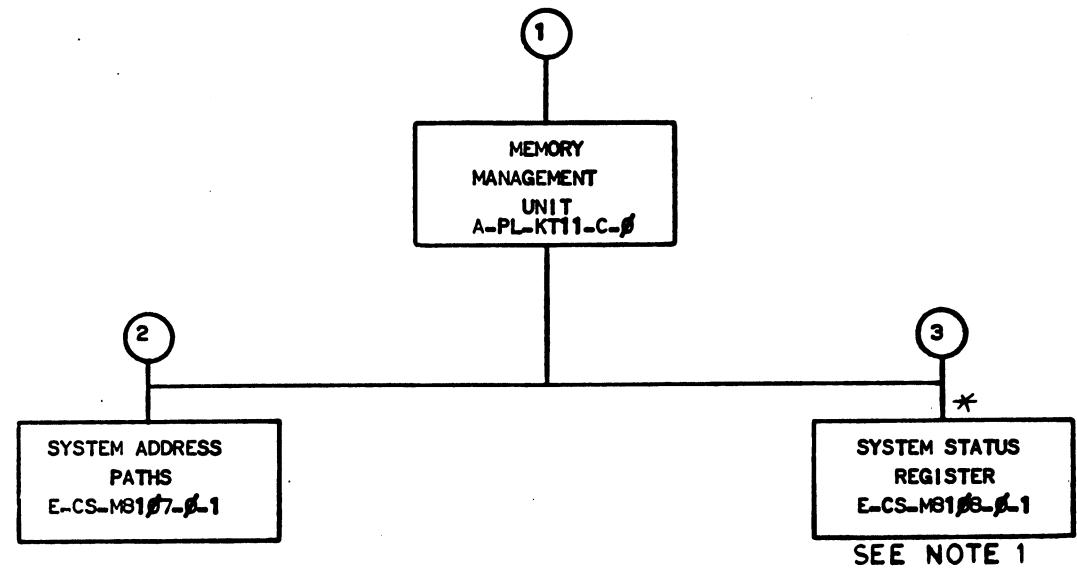
**KT11-C  
memory  
management unit  
engineering drawings**

digital equipment corporation • maynard, massachusetts





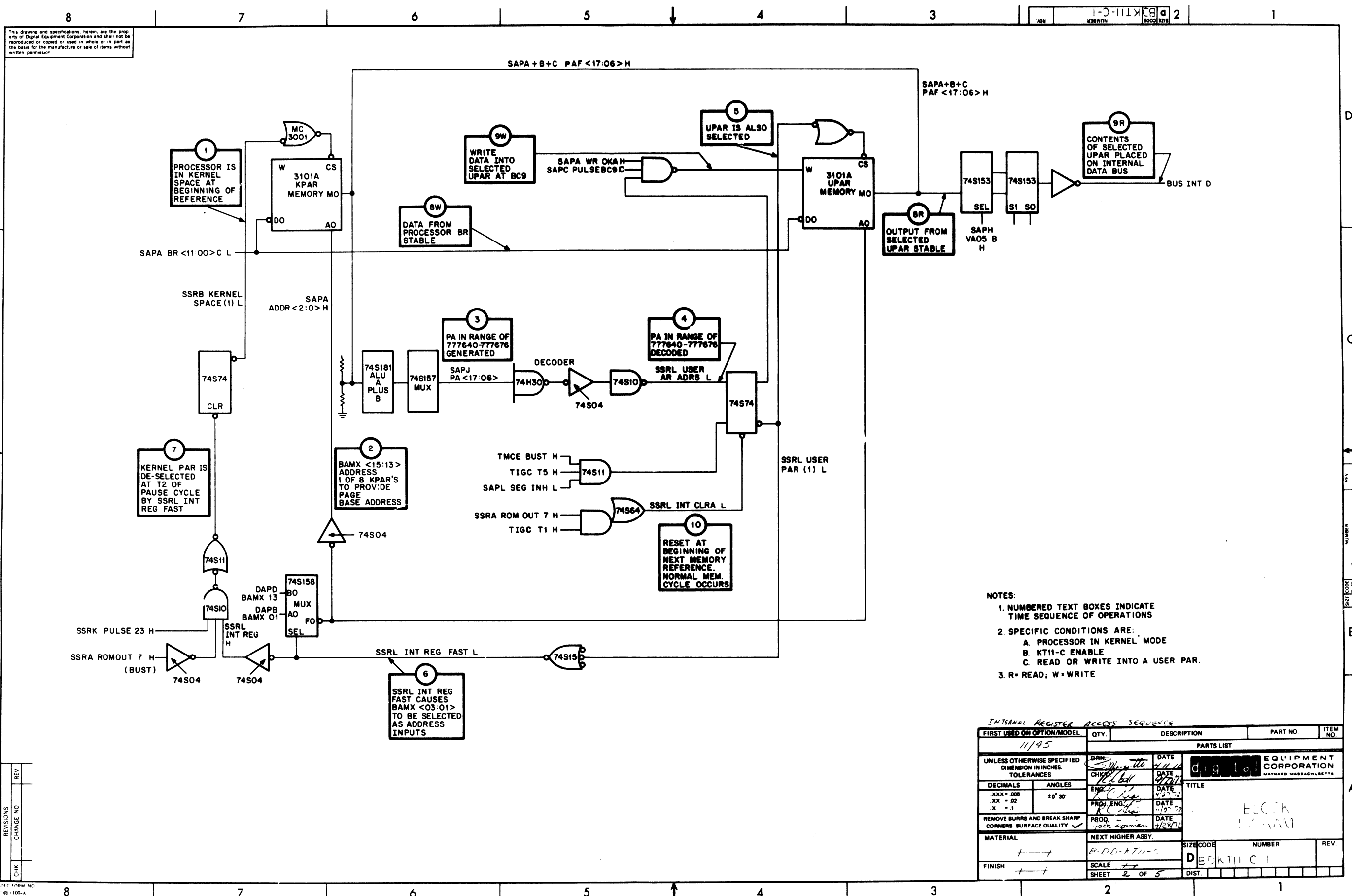
NOTE: 1. DOCUMENTATION FOR M8108-YA  
IS IN THE M8108 CIRCUIT  
SCHEMATIC.



| TITLE                  | SHEET 2 OF 2 | SIZE CODE | NUMBER | REV |
|------------------------|--------------|-----------|--------|-----|
| MEMORY MANAGEMENT UNIT |              | B DD      | KT11-0 | B   |



This drawing and specifications, herein, are the property of Digital Equipment Corporation and shall not be reproduced or copied or used in whole or in part as the basis for the manufacture or sale of items without written permission.



- NOTES:
1. NUMBERED TEXT BOXES INDICATE TIME SEQUENCE OF OPERATIONS
  2. SPECIFIC CONDITIONS ARE:
    - A. PROCESSOR IN KERNEL MODE
    - B. KT11-C ENABLE
    - C. READ OR WRITE INTO A USER PAR.
  3. R = READ; W = WRITE

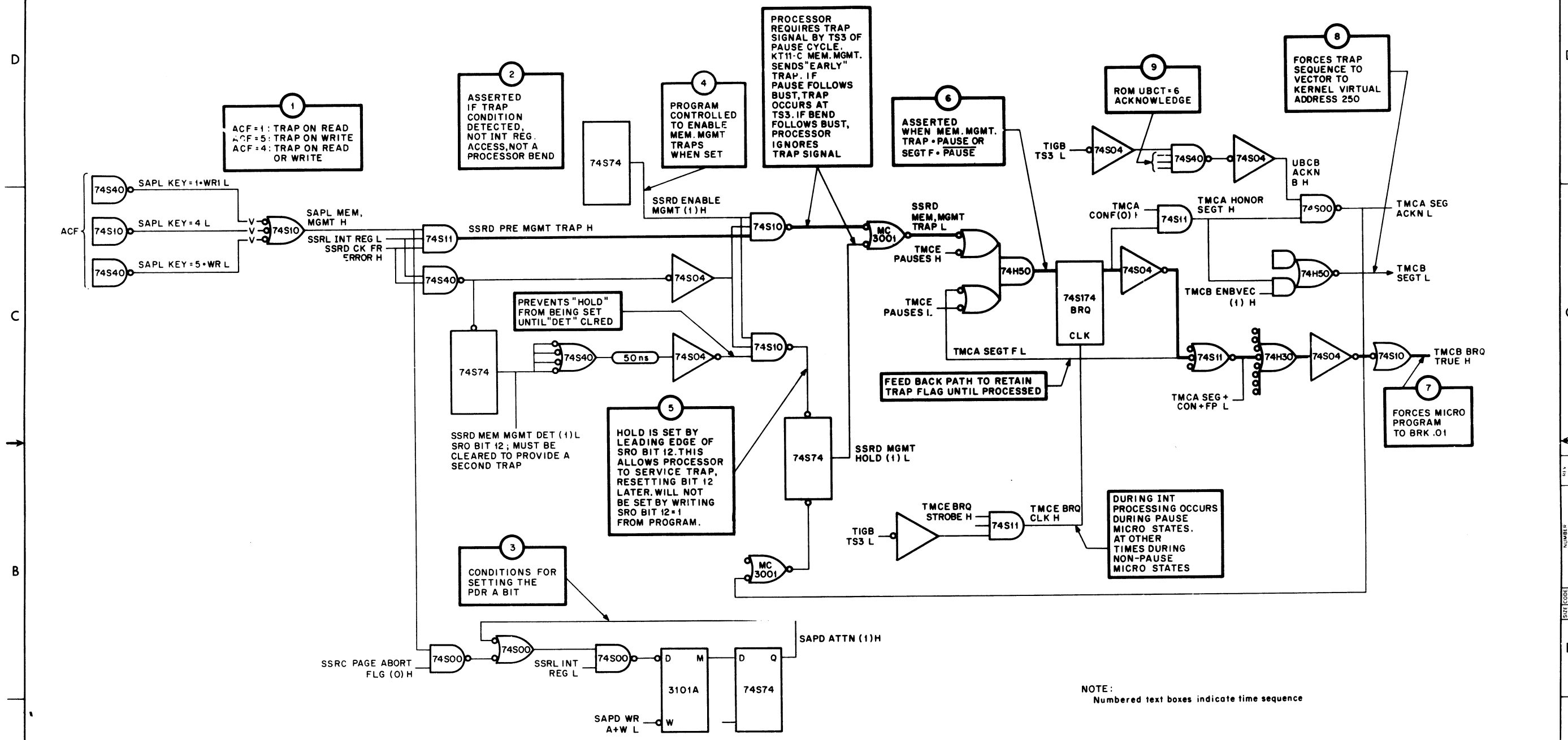
INTERNAL REGISTER ACCESS SEQUENCE

| FIRST USED ON OPTION/MODEL                                 | QTY.              | DESCRIPTION                                       | PART NO.   | ITEM NO. |
|--|-------------------|---|--|----------|
| 11/45  |                   | PARTS LIST  |  |          |
| UNLESS OTHERWISE SPECIFIED DIMENSION IN INCHES. TOLERANCES |                   | DRN: <i>[Signature]</i> DATE: <i>[Date]</i>       | DIGITAL EQUIPMENT CORPORATION<br>MAYNARD MASSACHUSETTS |          |
| DECIMALS   | ANGLES            | CHK: <i>[Signature]</i> DATE: <i>[Date]</i>       | TITLE  |          |
| .XX - .006   | ± 0° 30'          | ENG: <i>[Signature]</i> DATE: <i>[Date]</i>       | BLOCK  |          |
| .X - .1  |                   | PROJ. ENG: <i>[Signature]</i> DATE: <i>[Date]</i> | 100001   |          |
| REMOVE BURRS AND BREAK SHARP CORNERS SURFACE QUALITY       |                   | PROQ. <i>[Signature]</i> DATE: <i>[Date]</i>      |  |          |
| MATERIAL   | NEXT HIGHER ASSY. | SCALE   | SIZE CODE  | NUMBER   |
| +  | B-D-D-KT11-C      | +   | D  | 100001   |
| FINISH   |                   | SHEET   | DIST.  |          |
| +  |                   | 2 OF 5  |  |          |

| REV | CHANGE NO | REVISIONS |
|-----|-----------|-----------|
|     |           |           |
|     |           |           |

FORM NO. 100-4

This drawing and specifications, herein, are the property of Digital Equipment Corporation and shall not be reproduced or copied or used in whole or in part as the basis for the manufacture or sale of items without written permission.

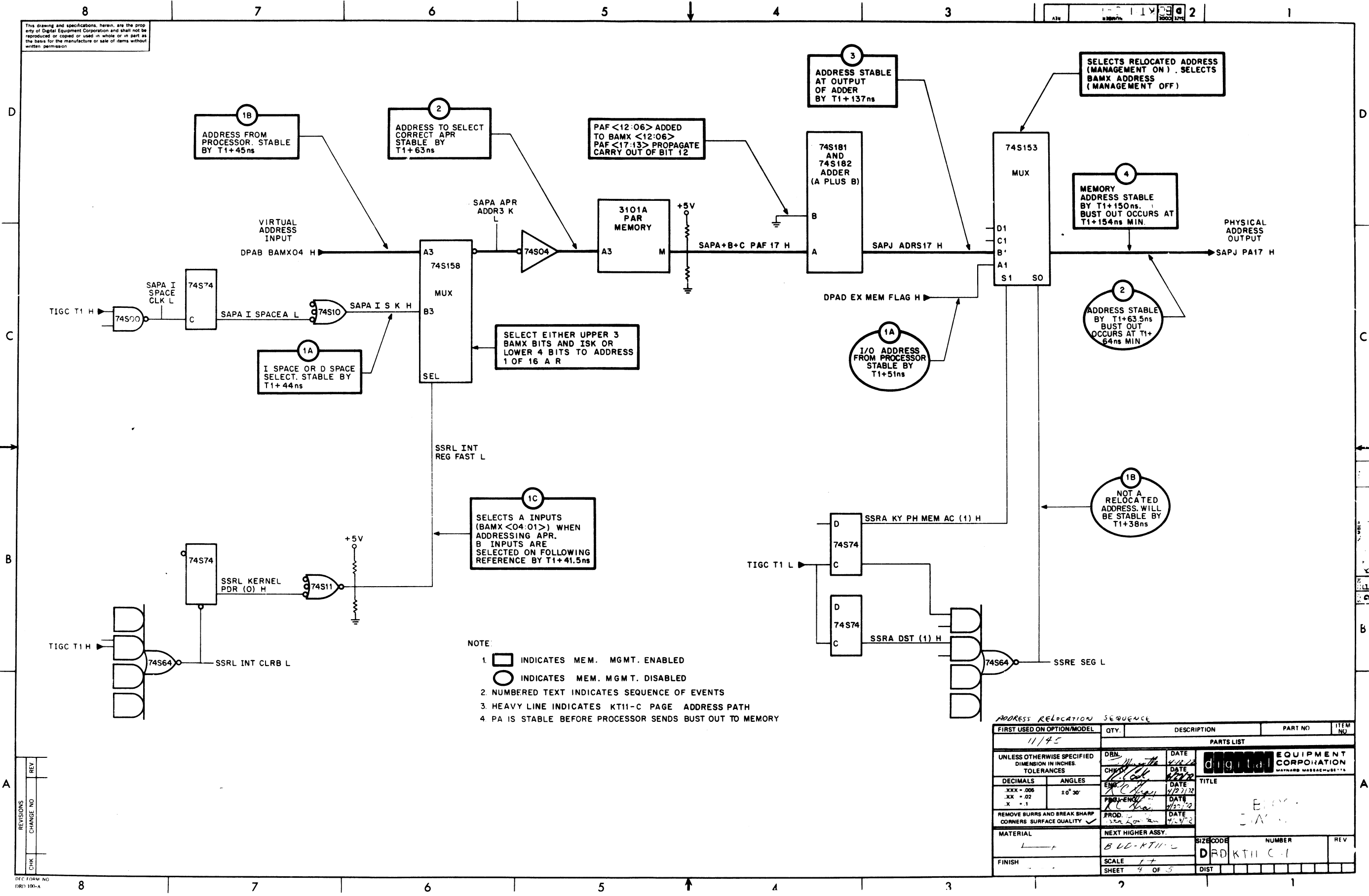


NOTE:  
Numbered text boxes indicate time sequence

| FIRST USED ON OPTION/MODEL                           |          | QTY.              | DESCRIPTION                                      | PART NO.  | ITEM NO.  |
|--|----------|-------------------|--|-----------|-----------|
| 11/45  |          |                   |  |           |           |
| PARTS LIST   |          |                   |  |           |           |
| UNLESS OTHERWISE SPECIFIED                           | DRN      | DATE              | <br>digital CORPORATION<br>MAYNARD MASSACHUSETTS |           |           |
| DIMENSION IN INCHES                                  | CHKD     | DATE              |  |           |           |
| TOLERANCES   | BY       | DATE              |  |           |           |
|  | BY       | DATE              |  |           |           |
| DECIMALS   | ENGS.    | DATE              | TITLE<br>BLOCK DIAGRAM                           |           |           |
| ANGLES   | FRD. END | DATE              |  |           |           |
| .XXX - .006  | PRD. END | DATE              |  |           |           |
| .XX - .02  | PROQ.    | DATE              | MATERIAL<br>NEXT HIGHER ASSY.<br>B-DD-KT11-C     |           |           |
| .X - .1  | FINISH   | DATE              |  |           |           |
| REMOVE BURRS AND BREAK SHARP CORNERS SURFACE QUALITY |          |                   | SCALE<br>SHEET 3 OF 5                            |           |           |
|  |          |                   |  |           |           |
| MATERIAL   |          | NEXT HIGHER ASSY. |  | SIZE CODE | NUMBER    |
| FINISH   |          | SCALE             |  | D         | EDK111C-1 |
|  |          | SHEET 3 OF 5      |  | DIST.     |           |

| REV. | CHANGE NO. | REVISIONS |
|------|------------|-----------|
|      |            |           |
|      |            |           |

This drawing and specifications, herein, are the property of Digital Equipment Corporation and shall not be reproduced or copied or used in whole or in part as the basis for the manufacture or sale of items without written permission.



- NOTE
- 1.  INDICATES MEM. MGMT. ENABLED
  - 2.  INDICATES MEM. MGMT. DISABLED
  - 3. NUMBERED TEXT INDICATES SEQUENCE OF EVENTS
  - 4. HEAVY LINE INDICATES KT11-C PAGE ADDRESS PATH
  - 5. PA IS STABLE BEFORE PROCESSOR SENDS BUST OUT TO MEMORY

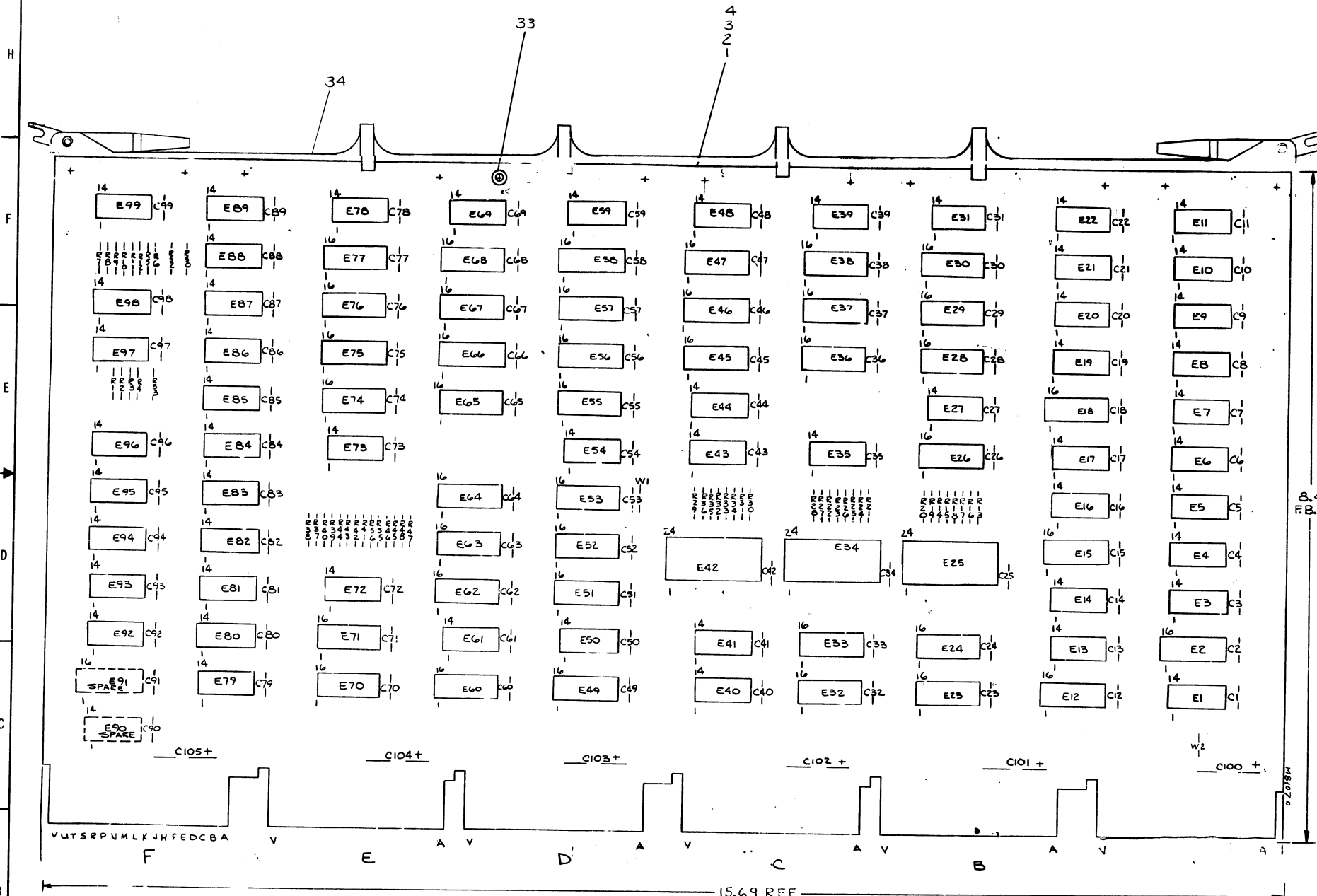
| FIRST USED ON OPTION/MODEL                                 |          | QTY.              | DESCRIPTION  | PART NO.  | ITEM NO. |
|--|----------|-------------------|--|-----------|----------|
| 11/45  |          |                   |  |           |          |
| PARTS LIST   |          |                   |  |           |          |
| UNLESS OTHERWISE SPECIFIED DIMENSION IN INCHES. TOLERANCES |          | DATE              | <br><b>DIGITAL EQUIPMENT CORPORATION</b><br><small>MAYNARD MASSACHUSETTS</small> |           |          |
| DECIMALS   | ANGLES   | DATE              |  |           |          |
| .XXX = .005  | ± 0° 30' | DATE              |  |           |          |
| .XX = .02  |          | DATE              |  |           |          |
| .X = .1  |          | DATE              | <b>TITLE</b><br>E1111-1<br>C-1   |           |          |
| REMOVE BURRS AND BREAK SHARP CORNERS SURFACE QUALITY       |          | DATE              |  |           |          |
| MATERIAL   |          | NEXT HIGHER ASSY. |  | SIZE CODE | NUMBER   |
| FINISH   |          | SCALE             |  | DIST      | REV      |
|  |          | SHEET 4 OF 5      |  |           |          |

REVISIONS  
 CHANGE NO. REV.  
 CHK.



The drawing and specifications herein are the property of Digital Equipment Corporation and shall not be reproduced or used in whole or in part in any form or by any means, electronic, mechanical, photocopying, recording, or by any information storage and retrieval system, without the prior written permission of Digital Equipment Corporation.

NOTES:  
 1. UNLESS OTHERWISE NOTED RESISTANCE IS IN  $\Omega$  AND CAPACITANCE IS IN PICOFARADS. CAPS. WITHOUT VALUE NOTED ARE .01MFD.



| QTY | REF DESIGNATION   | DESCRIPTION                      | PART NO.       | ITEM NO. |
|-----|---|----------------------------------|----------------|----------|
| 1   |   | HANDLE, MODULE                   | F-25-1210711-2 | 34       |
| 12  |   | EYELET                           | 9006732        | 33       |
| 1   | E5  | IC DEC 74H04                     | 1909931        | 32       |
| 1   | E2  | IC DEC 74S174                    | 1910550        | 31       |
| 1   | E1  | IC DEC 74S03                     | 1910533        | 30       |
| 2   | E9, E99   | IC DEC 74S04                     | 1910542        | 29       |
| 6   | E4, E79, E86, E87, E93, E94   | IC DEC 74S00                     | 1910532        | 28       |
| 10  | E3, E6, E11, E14, E27, E44, E54, E73, E92, E98  | IC DEC 74S04                     | 1910534        | 27       |
| 2   | E81, E88  | IC DEC 74S10                     | 1910536        | 26       |
| 5   | E7, E35, E43, E64, E89  | IC DEC 74S11                     | 1910537        | 25       |
| 1   | E95   | IC DEC 74S37                     | 1910091        | 24       |
| 1   | E80   | IC DEC 74H30                     | 1909059        | 23       |
| 5   | E10, E31, E39, E48, E59, E69, E78, E82, E83   | IC DEC 74S40                     | 1910541        | 22       |
| 1   | E51   | IC DEC 74S153                    | 1910547        | 21       |
| 4   | E8, E9, E97, E72  | IC DEC 74S74                     | 1910544        | 20       |
| 2   | E70, E71  | IC DEC 7485                      | 1910224        | 19       |
| 8   | E23, E24, E32, E33, E52, E53, E63, E64  | IC DEC 74S157                    | 1910548        | 18       |
| 1   | E62   | IC DEC 74153                     | 1909937        | 17       |
| 2   | E18, E26  | IC DEC 74S158                    | 1910549        | 16       |
| 3   | E25, E34, E42   | IC DEC 74S181                    | 1910531        | 15       |
| 1   | E15   | IC DEC 74182-1                   | 1910551        | 14       |
| 5   | E13, E16, E17, E40, E41   | IC DEC 3981                      | 1909705        | 13       |
| 3   | E12, E49, E60   | IC DEC 74157                     | 1910655        | 12       |
| 21  | E28, E29, E30, E36, E37, E38, E43, E46, E47, E55, E56, E57, E58, E65, E66, E67, E68, E74, E75, E76, E77                 | IC DEC 3101A                     | 1910653        | 11       |
| 7   | E19, E20, E21, E22, E50, E61, E85   | IC DEC 3001                      | 1909514        | 10       |
| 25  | R2, R4, R6, R8, R10, R12, R14, R16, R18, R20, R22, R24, R26, R28, R30, R32, R34, R36, R38, R40, R42, R44, R46, R48, R50 | RESISTOR 620 $\Omega$ , 1/4W, 5% | 1303178        | 9        |
| 25  | R1, R3, R5, R7, R9, R11, R13, R15, R17, R19, R21, R23, R25, R27, R29, R31, R33, R35, R37, R39, R41, R43, R45, R47, R55  | RESISTOR 330 $\Omega$ , 1/4W, 5% | 1300295        | 8        |
| 3   | R53, R50, R52   | RESISTOR 150 $\Omega$ , 1/4W, 5% | 1300250        | 7        |
| 6   | C100 THRU C105  | CAPACITOR 6.8M, 35V, 20%         | 1000067        | 6        |
| 99  | C1 THRU C99   | CAPACITOR .01M, 100V, 20% DISC   | 1001610        | 5        |
| 1   |   | ETCHED CIRCUIT BOARD             | 5009301        | 4        |
| REF |   | MODULE ECO HISTORY               | 8-114-1145-0   | 3        |
| REF |   | ASSY/DRILLING HOLE LAYOUT        | 8-114-1145-0   | 2        |
| REF |   | X-Y COORDINATE HOLE LOCATIONS    | 8-114-1145-0   | 1        |

| IC TYPE     | GND | +5V | W1 | 30 |
|-------------|-----|-----|----|----|
| DEC 74S174  | 8   | 16  |    |    |
| DEC 74S153  | 8   | 16  |    |    |
| DEC 7485    | 8   | 16  |    |    |
| DEC 74S157  | 8   | 16  |    |    |
| DEC 74153   | 8   | 16  |    |    |
| DEC 74S158  | 8   | 16  |    |    |
| DEC 74S181  | 12  | 24  |    |    |
| DEC 74182-1 | 8   | 16  |    |    |
| DEC 74157   | 8   | 16  |    |    |
| DEC 3101A   | 8   | 16  |    |    |

AA2, AV1, BA2, BV1, CA2, CV1, DA2, DV1, EA2, EV1, FA2, FV1

AC2, AN2, AH1, AT1, BC2, BN2, BH1, BT1, CC2, CN2, CH1, CT1, DC2, DN2, DH1, DT1, EC2, EN2, EH1, ET1, FC2, FN2, FH1, FT1

+5V  
 6.8M  
 C100 THRU C105  
 .01MFD  
 C1 THRU C99

ETCH BOARD REV B

DATE: 11/72

DESIGNED BY: [Signature]

CHECKED BY: [Signature]

APPROVED BY: [Signature]

REVISIONS:

| NO. | DATE | DESCRIPTION    |
|-----|------|----------------|
| 1   |      | INITIAL DESIGN |
| 2   |      | REVISED        |
| 3   |      | REVISED        |
| 4   |      | REVISED        |
| 5   |      | REVISED        |
| 6   |      | REVISED        |
| 7   |      | REVISED        |
| 8   |      | REVISED        |
| 9   |      | REVISED        |
| 10  |      | REVISED        |
| 11  |      | REVISED        |
| 12  |      | REVISED        |
| 13  |      | REVISED        |
| 14  |      | REVISED        |
| 15  |      | REVISED        |
| 16  |      | REVISED        |
| 17  |      | REVISED        |
| 18  |      | REVISED        |
| 19  |      | REVISED        |
| 20  |      | REVISED        |
| 21  |      | REVISED        |
| 22  |      | REVISED        |
| 23  |      | REVISED        |
| 24  |      | REVISED        |
| 25  |      | REVISED        |
| 26  |      | REVISED        |
| 27  |      | REVISED        |
| 28  |      | REVISED        |
| 29  |      | REVISED        |
| 30  |      | REVISED        |
| 31  |      | REVISED        |
| 32  |      | REVISED        |
| 33  |      | REVISED        |
| 34  |      | REVISED        |

SEMICONDUCTOR CONVERSION CHART

SCALE: 1" = 1.0"

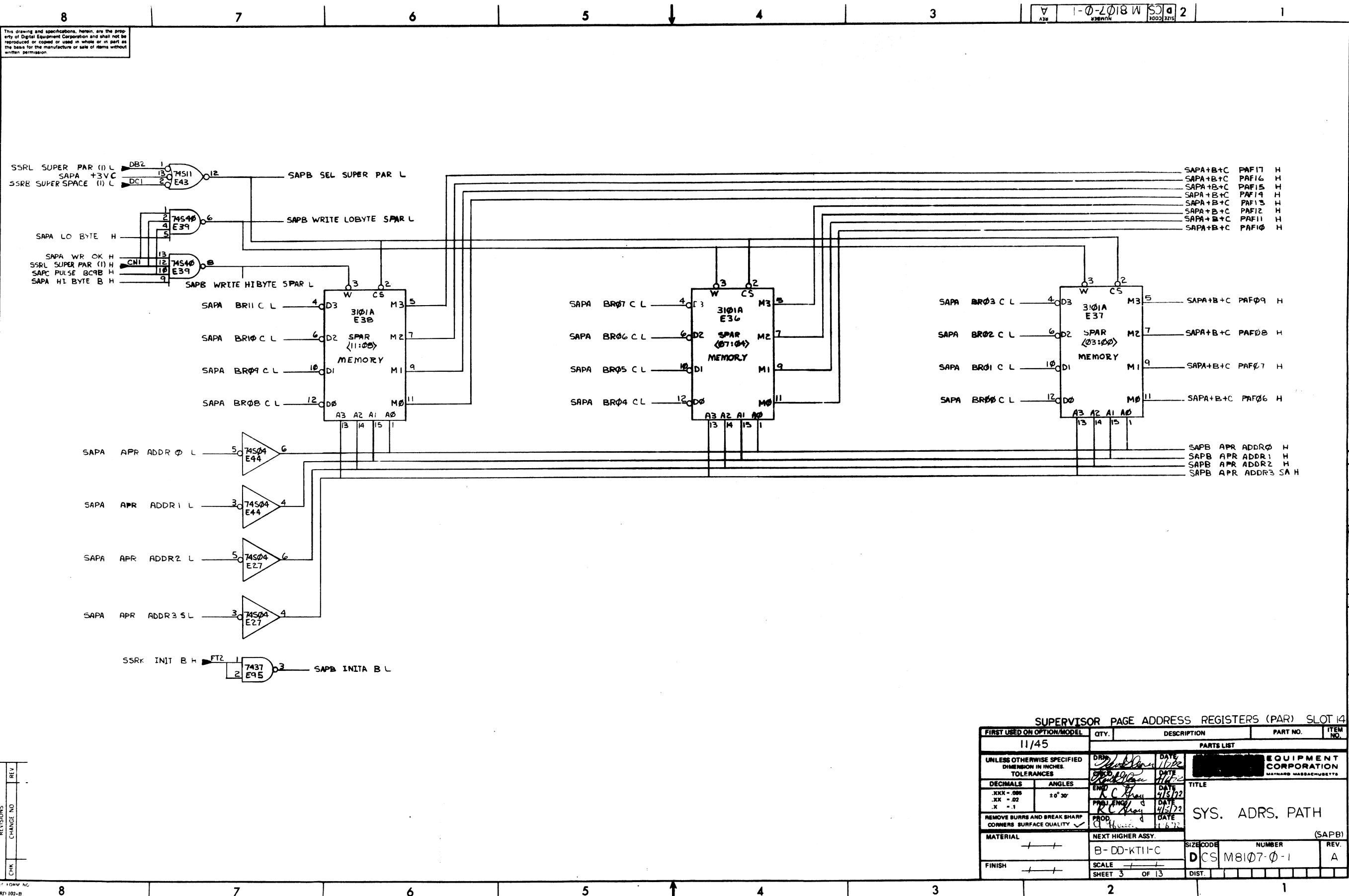
SHEET 1 OF 13

IC PIN LOCATIONS

JUMPER LIST



This drawing and specifications, herein, are the property of Digital Equipment Corporation and shall not be reproduced or copied or used in whole or in part as the basis for the manufacture or sale of items without written permission.



REVISIONS  
 CHK CHANGE NO  
 REV

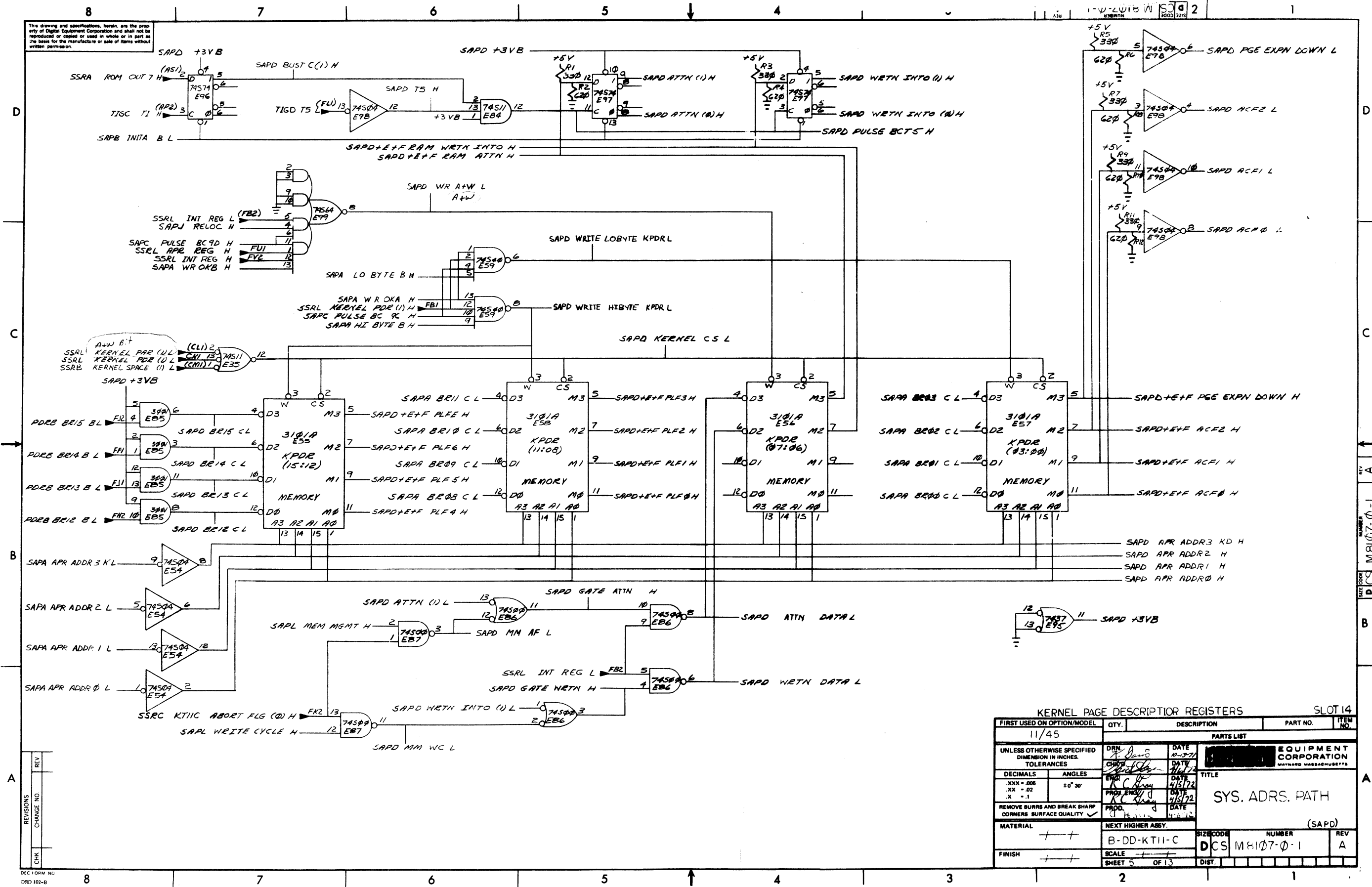
**SUPERVISOR PAGE ADDRESS REGISTERS (PAR) SLOT 14**

| FIRST USED ON OPTION/MODEL                              | QTY.              | DESCRIPTION   | PART NO.  | ITEM NO.    |
|---|-------------------|---------------|---|-------------|
| 11/45   |                   |               |   |             |
| PARTS LIST  |                   |               |   |             |
| UNLESS OTHERWISE SPECIFIED<br>DIMENSION IN INCHES       | DRN               | DATE          | <b>EQUIPMENT CORPORATION</b><br><small>MATTAPOISETT MASSACHUSETTS</small> |             |
| TOLERANCES  | CHK               | DATE          |   |             |
| DECIMALS  | END               | DATE          |   |             |
| ANGLES  | PROJ. ENGR.       | DATE          |   |             |
| .XXX - .000   | R. C. Green       | 11/5/72       | <b>SYS. ADRS. PATH</b>  |             |
| .XX - .02   | R. C. Green       | 11/5/72       |   |             |
| .X - .1   | R. C. Green       | 11/5/72       |   |             |
| REMOVE BURRS AND BREAK SHARP<br>CORNERS SURFACE QUALITY | PROD. ENGR.       | DATE          |   |             |
| MATERIAL  | NEXT HIGHER ASSY. | SIZE CODE     | NUMBER  | (SAPB) REV. |
| FINISH  | B-DD-KT11-C       | D             | CS M8107-0-1  | A           |
|   | SCALE             | SHEET 3 OF 13 | DIST.   |             |

REV A  
 M8107-0-1  
 DCS



This drawing and specifications, herein, are the property of Digital Equipment Corporation and shall not be reproduced or copied in whole or in part as the basis for the manufacture or sale of items without written permission.

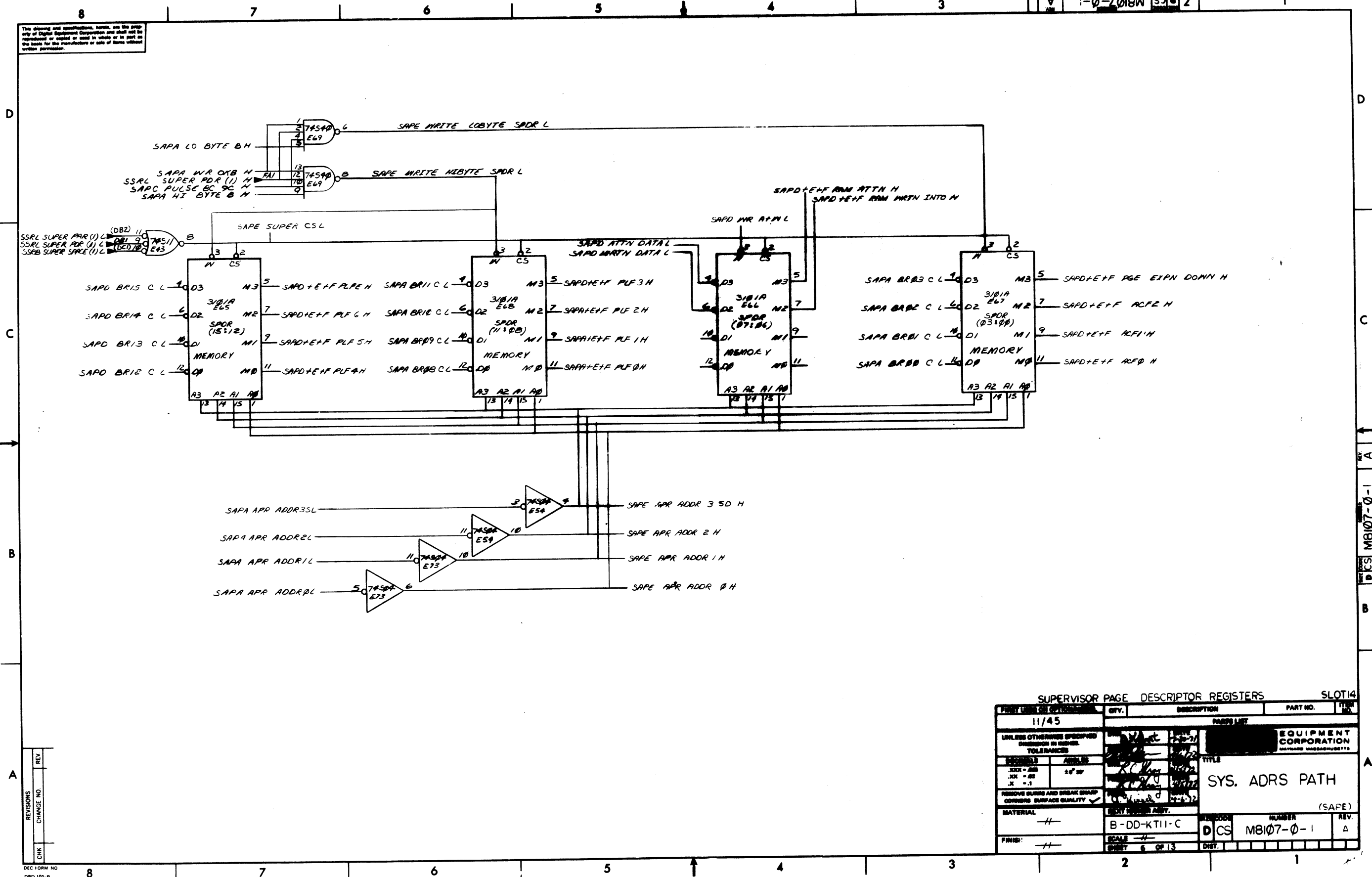


| KERNEL PAGE DESCRIPTOR REGISTERS                           |         |                             |               | SLOT 14  |   |           |               |
|--|---------|-----------------------------|---------------|--|---|-----------|---------------|
| FIRST USED ON OPTION/MODEL                                 | QTY.    | DESCRIPTION                 | PART NO.      | ITEM NO.   |   |           |               |
| 11/45  |         |                             |               |  |   |           |               |
| PARTS LIST   |         |                             |               |  |   |           |               |
| UNLESS OTHERWISE SPECIFIED DIMENSION IN INCHES. TOLERANCES |         | DRN: <i>A. Davis</i>        | DATE: 10-5-71 | <br><b>EQUIPMENT CORPORATION</b><br><small>MAYNARD MASSACHUSETTS</small> |   |           |               |
| DECIMALS   | ANGLES  | CHKD: <i>[Signature]</i>    | DATE: 11-6-71 |  |   |           |               |
| .XXX = .005  | ±0° 30' | ENR: <i>[Signature]</i>     | DATE: 4/8/72  |  |   |           |               |
| .XX = .02  |         | PRG ENG: <i>[Signature]</i> | DATE: 4/8/72  |  |   |           |               |
| REMOVE BURRS AND BREAK SHARP CORNERS SURFACE QUALITY       |         | PROD. <i>[Signature]</i>    | DATE: 4-8-72  | <b>TITLE</b><br>SYS. ADRS. PATH<br>(SAPD)                                |   |           |               |
| MATERIAL   | +++     | NEXT HIGHER ASSY.           | B-DD-KT11-C   |  |   | SIZE CODE | DCS M8107-0-1 |
| FINISH   | +++     | SCALE                       | +++           |  |   | NUMBER    | REV           |
|  |         | SHEET 5                     | OF 13         | DIST.  | A |           |               |

|            |  |
|------------|--|
| REV        |  |
| CHANGE NO. |  |
| CHK        |  |

REV A  
M8107-0-1  
DCS

This drawing and specifications, herein, are the property of Digital Equipment Corporation and shall not be reproduced or copied or used in whole or in part as the basis for the manufacture or sale of items without written permission.

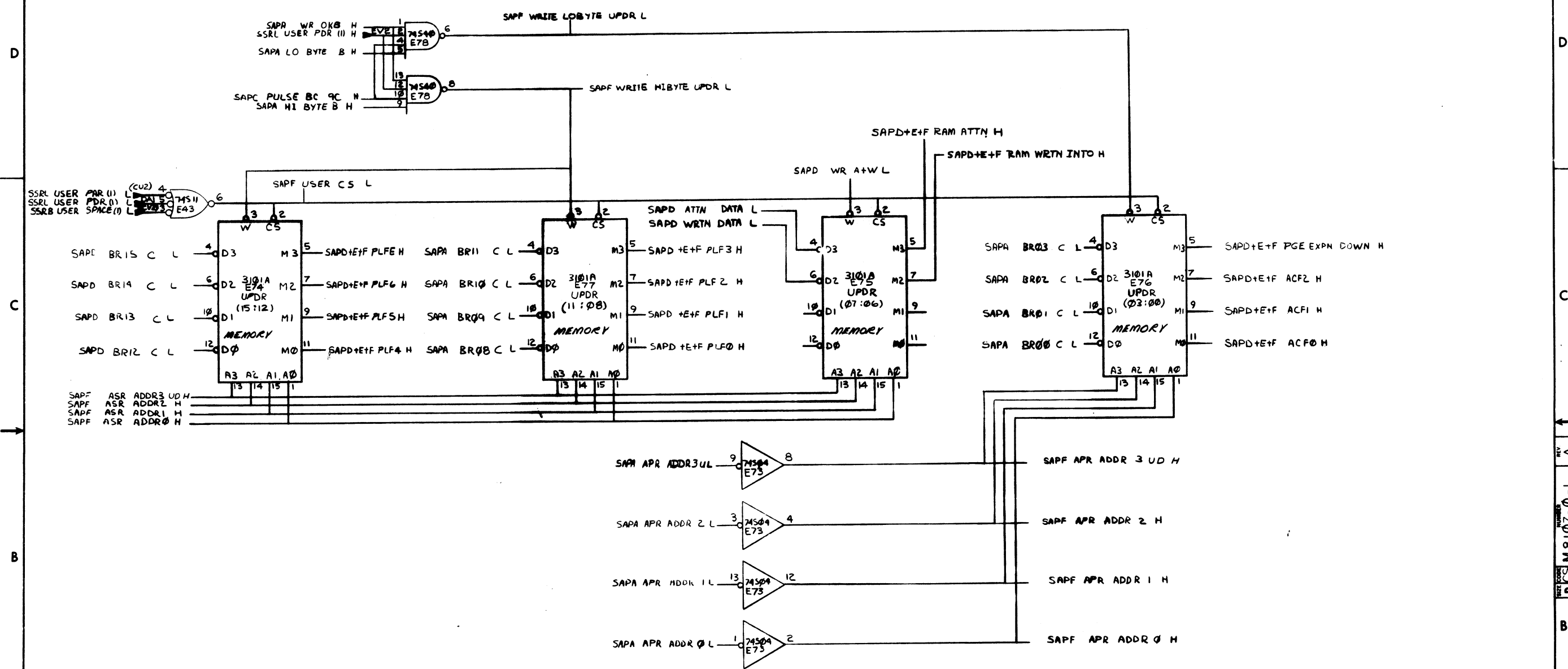


SUPERVISOR PAGE DESCRIPTOR REGISTERS SLOT 14

| PART NUMBER   | QTY. | DESCRIPTION | PART NO.                                      | REV.      |
|---|------|-------------|---|-----------|
| 11/45   |      |             |   |           |
| UNLESS OTHERWISE SPECIFIED DIMENSION IN INCHES TOLERANCES |      |             |   |           |
| FINISH  |      |             | EQUIPMENT CORPORATION<br>MILWAUKEE, WISCONSIN |           |
| MATERIAL  |      |             | TITLE<br>SYS. ADRS PATH (SAPD)                |           |
| FINISH  |      |             | NUMBER<br>D CS M8107-0-1                      | REV.<br>A |
| SCALE   |      |             | DRAWING NUMBER<br>6 OF 13                     |           |
| DATE  |      |             | DWT.  |           |

REVISIONS  
CHANGE NO. REV.  
CHK

This drawing and specifications, herein, are the property of Digital Equipment Corporation and shall not be reproduced or copied in whole or in part or by any means for the manufacture or sale of items without written permission.



USER PAGE DESCRIPTOR REGISTERS SLOT 14

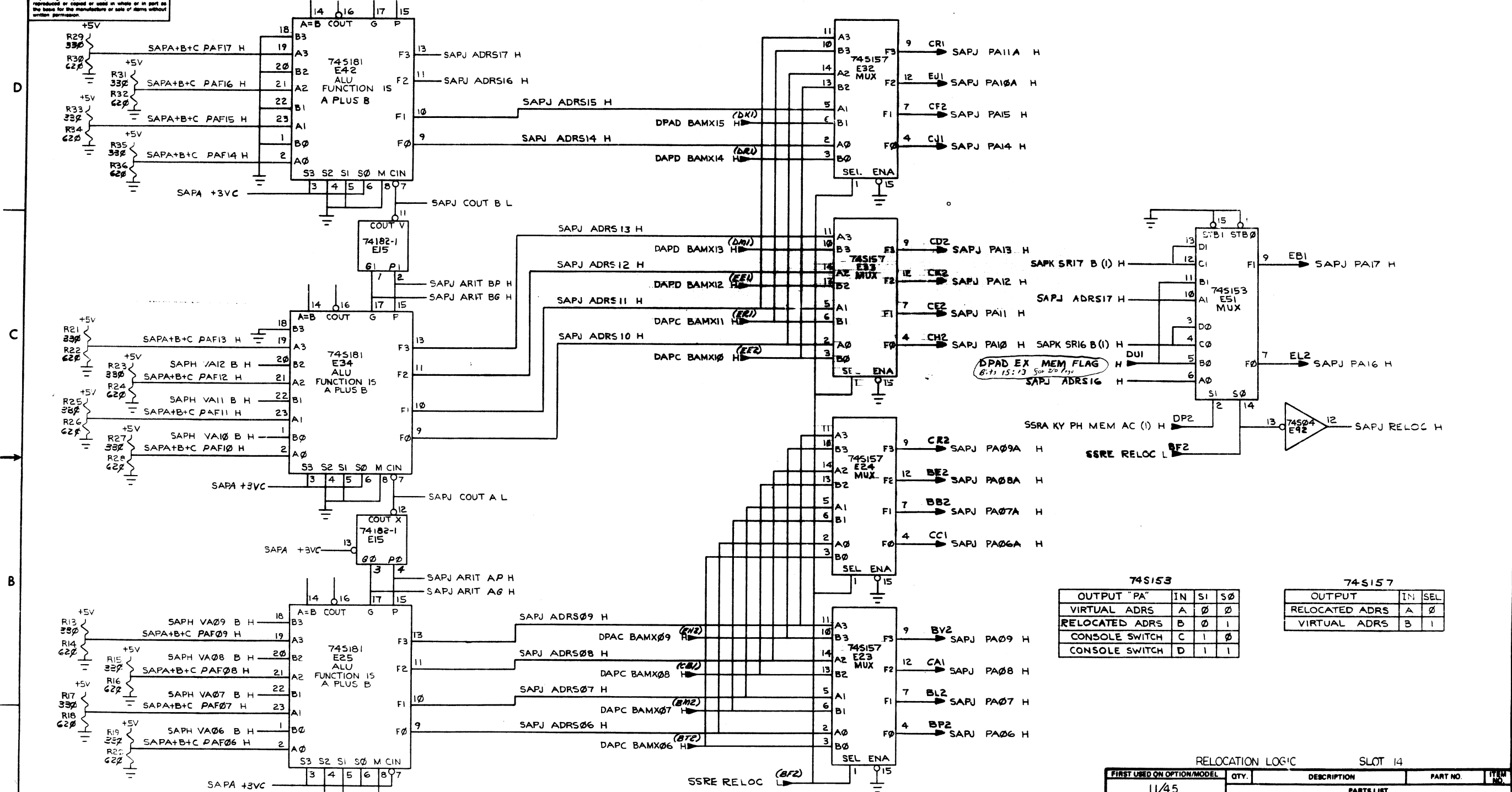
| FIRST USED OR OPTION MODEL                           | QTY.              | DESCRIPTION  | PART NO.                                       | ITEM NO. |
|--|-------------------|--------------|--|----------|
| 11/45  |                   |              |  |          |
| PARTS LIST   |                   |              |  |          |
| UNLESS OTHERWISE SPECIFIED DIMENSIONS IN INCHES.     |                   | DATE 7-20-71 | EQUIPMENT CORPORATION<br>MAYNARD MASSACHUSETTS |          |
| TOLERANCES   |                   | DATE 7/27    |  |          |
| DECIMALS   | ANGLES            | DATE 7/27    | TITLE<br>SYS. ADRS. PATH                       |          |
| .XX - .005   | ± 0° 30'          | DATE 7/27    |  |          |
| .XX - .02  |                   | DATE 7/27    | (SAPF)<br>B-DD-KT11-C                          |          |
| .X - .1  |                   | DATE 7-6-72  |  |          |
| REMOVE BURRS AND BREAK SHARP CORNERS SURFACE QUALITY |                   | DATE 7-6-72  | NUMBER<br>DCS M8107-0-1                        |          |
| MATERIAL   | NEXT HIGHER ASSY. | DATE         | REV<br>A                                       |          |
| FINISH   | SCALE             | DATE         | DIST.  |          |
|  | SHEET 7 OF 13     |              |  |          |

|            |     |
|------------|-----|
| REVISIONS  | REV |
| CHANGE NO. |     |
| CHK        |     |

REV A  
M8107-0-1  
DCS



The drawing and specifications herein are the property of Digital Equipment Corporation and shall not be reproduced or copied or used in whole or in part as the basis for the manufacture or sale of items without written permission.



74S153

| OUTPUT "PA"    | IN | S1 | S0 |
|----------------|----|----|----|
| VIRTUAL ADRS   | A  | 0  | 0  |
| RELOCATED ADRS | B  | 0  | 1  |
| CONSOLE SWITCH | C  | 1  | 0  |
| CONSOLE SWITCH | D  | 1  | 1  |

74S157

| OUTPUT         | IN | SEL |
|----------------|----|-----|
| RELOCATED ADRS | A  | 0   |
| VIRTUAL ADRS   | B  | 1   |

RELOCATION LOGIC SLOT 14

| FIRST USED ON OPTION/MODEL | QTY. | DESCRIPTION | PART NO. | ITEM NO. |
|----------------------------|------|-------------|----------|----------|
| 11/45                      |      |             |          |          |

| UNLESS OTHERWISE SPECIFIED DIMENSION IN INCHES | TOLERANCES | DATE      | DATE     | DATE    | DATE     | DATE     | DATE     |
|--|------------|-----------|----------|---------|----------|----------|----------|
| DECIMALS                                       | ANGLES     | .XX - .00 | ± 0° 30' | 1-10-72 | 11/17/72 | 11/17/72 | 11/17/72 |

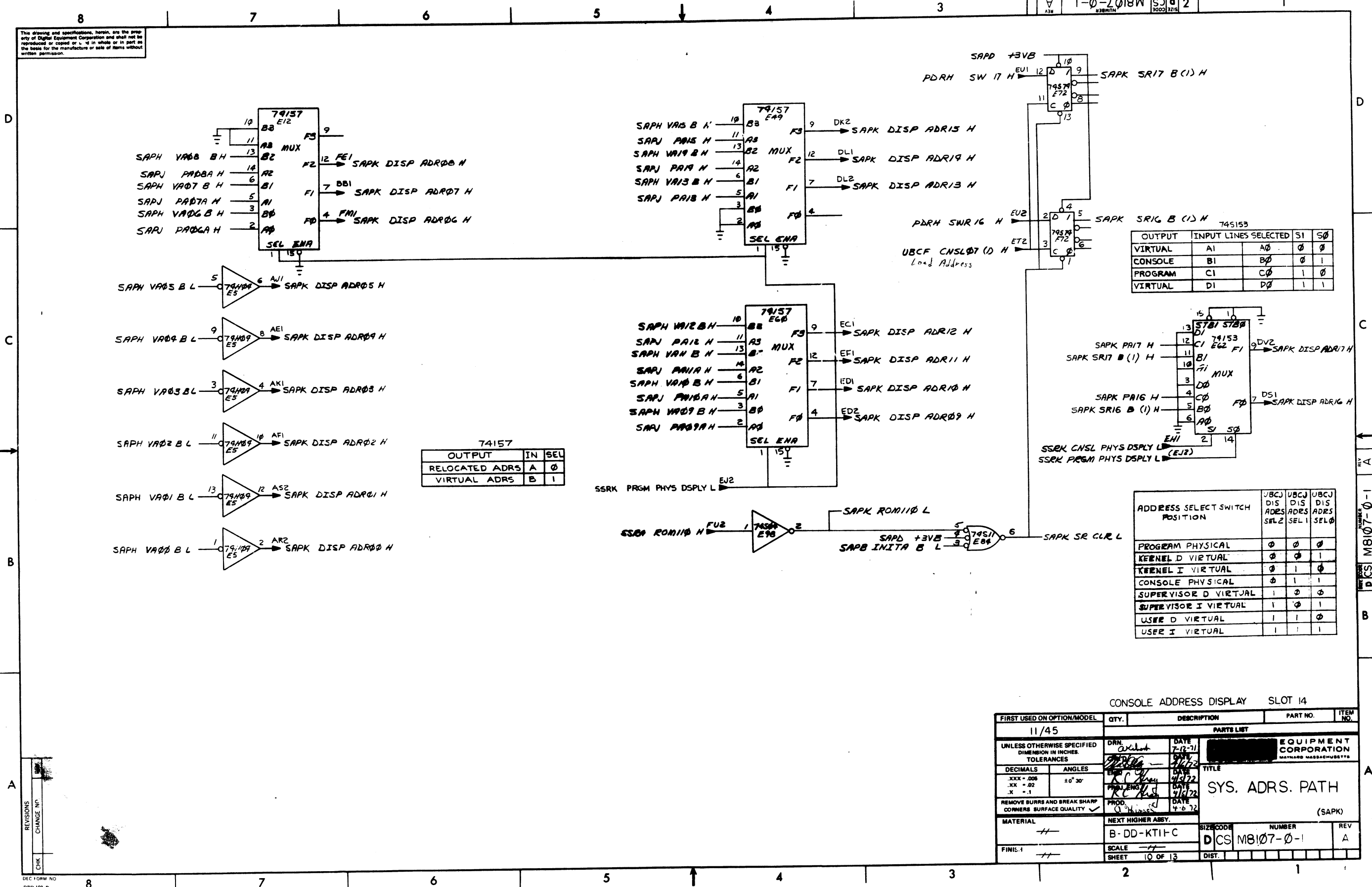
  

| MATERIAL | NEXT HIGHER ASSY. | REV. CODE | NUMBER    | REV |
|----------|-------------------|-----------|-----------|-----|
| ---      | B-DD-KT11-C       | DCS       | M8107-0-1 | A   |

REVISIONS  
 CHANGE NO.  
 DEC 1972  
 DRD 102-B

M8107-0-1  
 SHEET 5 OF 13

This drawing and specifications, herein, are the property of Digital Equipment Corporation and shall not be reproduced or copied or used in whole or in part as the basis for the manufacture or sale of items without written permission.



| 74157          |    |     |
|----------------|----|-----|
| OUTPUT         | IN | SEL |
| RELOCATED ADRS | A  | 0   |
| VIRTUAL ADRS   | B  | 1   |

| 74153   |                      |    |    |   |
|---------|----------------------|----|----|---|
| OUTPUT  | INPUT LINES SELECTED | S1 | S0 |   |
| VIRTUAL | A1                   | A0 | 0  | 0 |
| CONSOLE | B1                   | B0 | 0  | 1 |
| PROGRAM | C1                   | C0 | 1  | 0 |
| VIRTUAL | D1                   | D0 | 1  | 1 |

| ADDRESS SELECT SWITCH POSITION | UBCJ DIS ADES SEL2 | UBCJ DIS ADES SEL1 | UBCJ DIS ADES SEL0 |
|--------------------------------|--------------------|--------------------|--------------------|
|                                | PROGRAM PHYSICAL   | 0                  | 0                  |
| KERNEL D VIRTUAL               | 0                  | 0                  | 1                  |
| KERNEL I VIRTUAL               | 0                  | 1                  | 0                  |
| CONSOLE PHYSICAL               | 0                  | 1                  | 1                  |
| SUPERVISOR D VIRTUAL           | 1                  | 0                  | 0                  |
| SUPERVISOR I VIRTUAL           | 1                  | 0                  | 1                  |
| USER D VIRTUAL                 | 1                  | 1                  | 0                  |
| USER I VIRTUAL                 | 1                  | 1                  | 1                  |

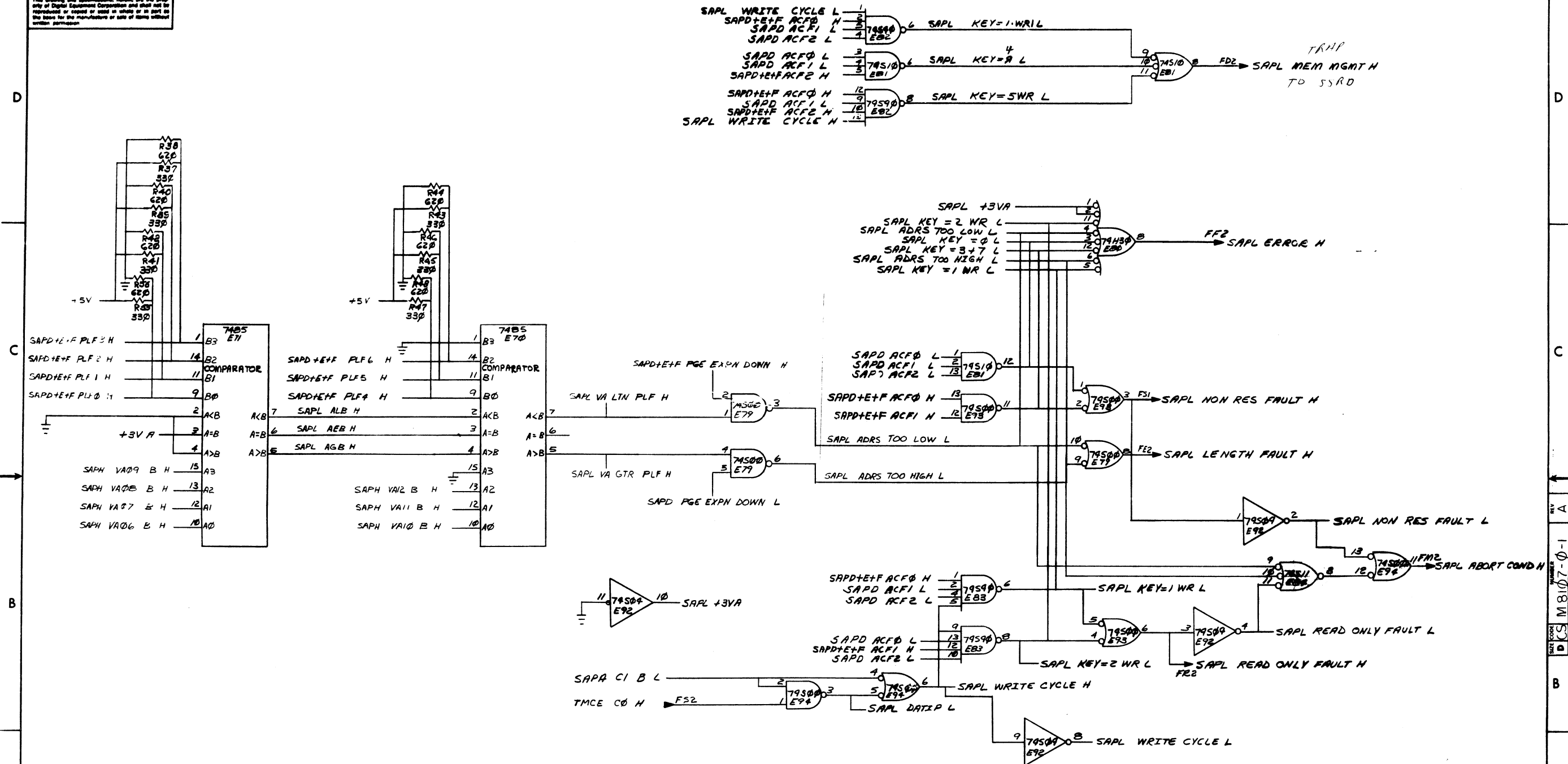
CONSOLE ADDRESS DISPLAY SLOT 14

| FIRST USED ON OPTION/MODEL                                 | QTY.    | DESCRIPTION                 | PART NO. | ITEM NO. |
|--|---------|-----------------------------|----------|----------|
| 11/45  |         |                             |          |          |
| UNLESS OTHERWISE SPECIFIED DIMENSION IN INCHES. TOLERANCES |         |                             |          |          |
| DECIMALS   | ANGLES  | TITLE                       |          |          |
| .XXX - .008  | ±0° 30' | SYS. ADRS. PATH             |          |          |
| .XX - .02  |         | (SAPK)                      |          |          |
| .X - .1  |         | MATERIAL                    |          |          |
| REMOVE BURRS AND BREAK SHARP CORNERS SURFACE QUALITY       |         | NEXT HIGHER ASSY.           |          |          |
|  |         | B-DD-KT11-C                 |          |          |
|  |         | FINIS: 1                    |          |          |
|  |         | SCALE: 1/4"                 |          |          |
|  |         | SHEET: 10 OF 13             |          |          |
|  |         | DISTRIBUTION: DCS M8107-0-1 |          |          |

| REV | DATE | BY | CHK | CHANGE NO. |
|-----|------|----|-----|------------|
|     |      |    |     |            |

DEC FORM NO DRD 102-B

This drawing and specifications, herein, are the property of Digital Equipment Corporation and shall not be reproduced or copied in whole or in part on the basis for the manufacture or sale of items without written permission.

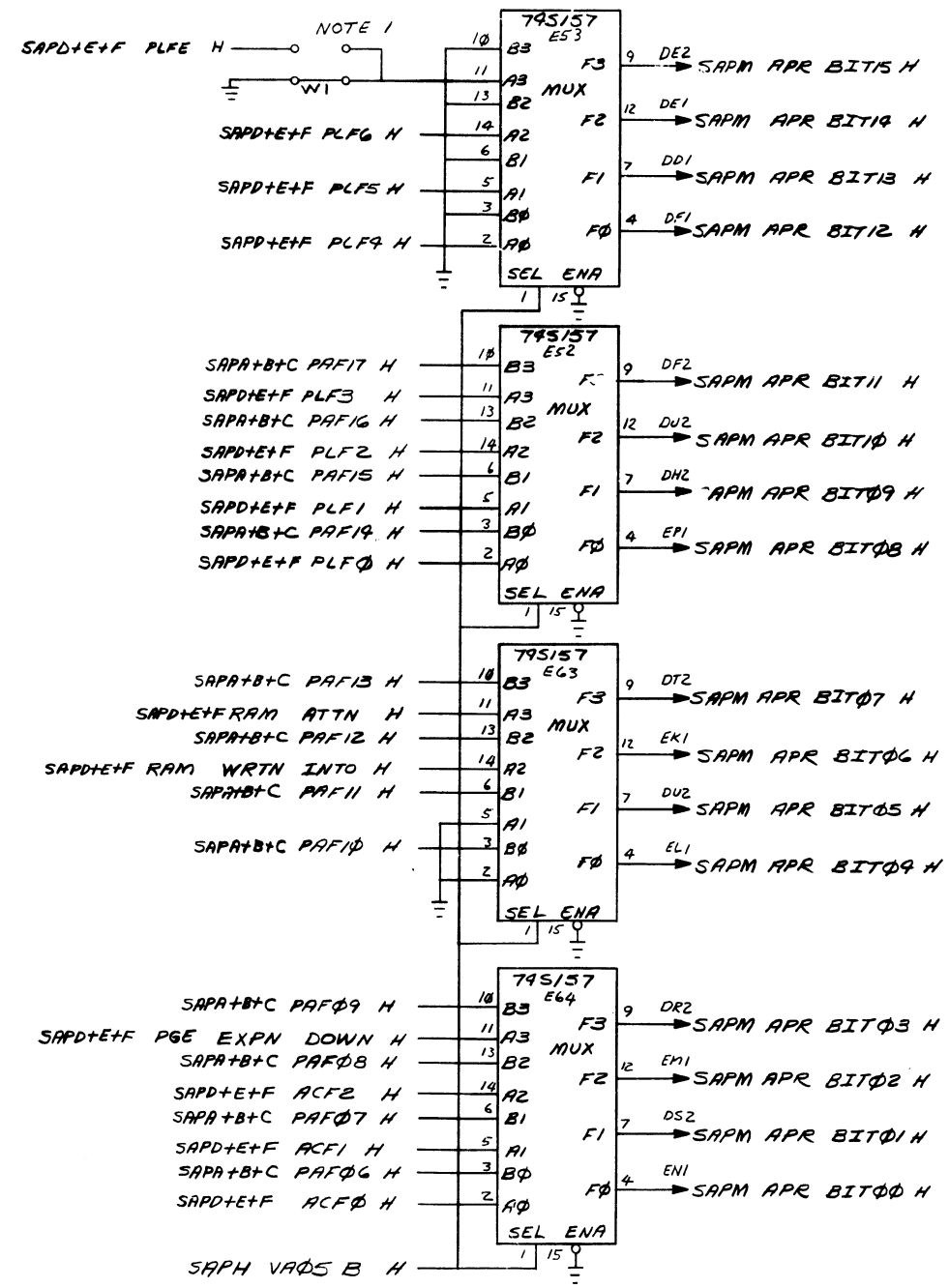


| REV | CHG | INT |
|-----|-----|-----|
|     |     |     |
|     |     |     |

| FIRST USED ON OPTION/MODEL                                |         | QTY.   | DESCRIPTION   | PART NO. | ITEM NO. |
|---|---------|--|---------------|----------|----------|
| 11/45   |         |  |               |          |          |
| PARTS LIST  |         |  |               |          |          |
| UNLESS OTHERWISE SPECIFIED DIMENSION IN INCHES TOLERANCES |         | EQUIPMENT CORPORATION<br>MAYNARD MASSACHUSETTS |               |          |          |
| DECIMALS  | ANGLES  | TITLE  |               |          |          |
| .XXX - .006   | ±0° 30' | SYS. ADRS. PATH (SAPL)                         |               |          |          |
| .XX - .02   |         | MATERIAL                                       |               |          |          |
| .X - .1   |         | NEXT HIGHER ASSY.                              |               |          |          |
| REMOVE BURRS AND BREAK SHARP CORNERS SURFACE QUALITY      |         | B-DD-KT11-C                                    |               |          |          |
| MATERIAL  |         | SCALE  | SIZE CODE     | NUMBER   | REV      |
|   |         |  | DCS M8107-0-1 | 4        |          |
| FINISH  |         | SHEET 11 OF 13                                 | DIST.         |          |          |

This drawing and specifications, herein, are the property of Digital Equipment Corporation and shall not be reproduced or copied or used in whole or in part as the basis for the manufacture or sale of items without written permission.

1-0-2018 W SC 2



74S157

| OUTPUT | INPUT LINES SELECTED |    |    |    | SEL |
|--------|----------------------|----|----|----|-----|
| PDR'S  | A3                   | A2 | A1 | A0 | 0   |
| PAR'S  | B3                   | B2 | B1 | B0 | 1   |

NOTES:  
 1. PROVISIONS FOR WIRE JUMPER. JUMPER IS NORMALLY INSERTED TO CONNECT "A3" TO GROUND.

PAR/PDR READ MULTIPLEXORS SLOT 14

| FIRST USED ON OPTION/MODEL | QTY. | DESCRIPTION | PART NO. | ITEM NO. |
|----------------------------|------|-------------|----------|----------|
| 11/45                      |      |             |          |          |

PARTS LIST

|  |                                       |  |
|--|---------------------------------------|--|
| UNLESS OTHERWISE SPECIFIED DIMENSION IN INCHES. TOLERANCES | DRAWN: <i>W. J. ...</i> DATE: 7-23-71 | <p>DIGITAL EQUIPMENT CORPORATION<br/>         MAYNARD, MASSACHUSETTS</p> |
| DECIMALS .XXX = .006 .XX = .02 .X = .1                     | ANGLES ±0° 30'                        |  |
| REMOVE BURRS AND BREAK SHARP CORNERS SURFACE QUALITY       | DATE: 4/15/72                         |  |
|  | DATE: 4/15/72                         |  |
| MATERIAL   | NEXT HIGHER ASSY.                     | TITLE  |
| FINISH   | B-DD-KT11-C                           | SYS. ADRS. PATH  |
|  | SCALE                                 | SIZE CODE  |
|  | SHEET 12 OF 13                        | DIST.  |

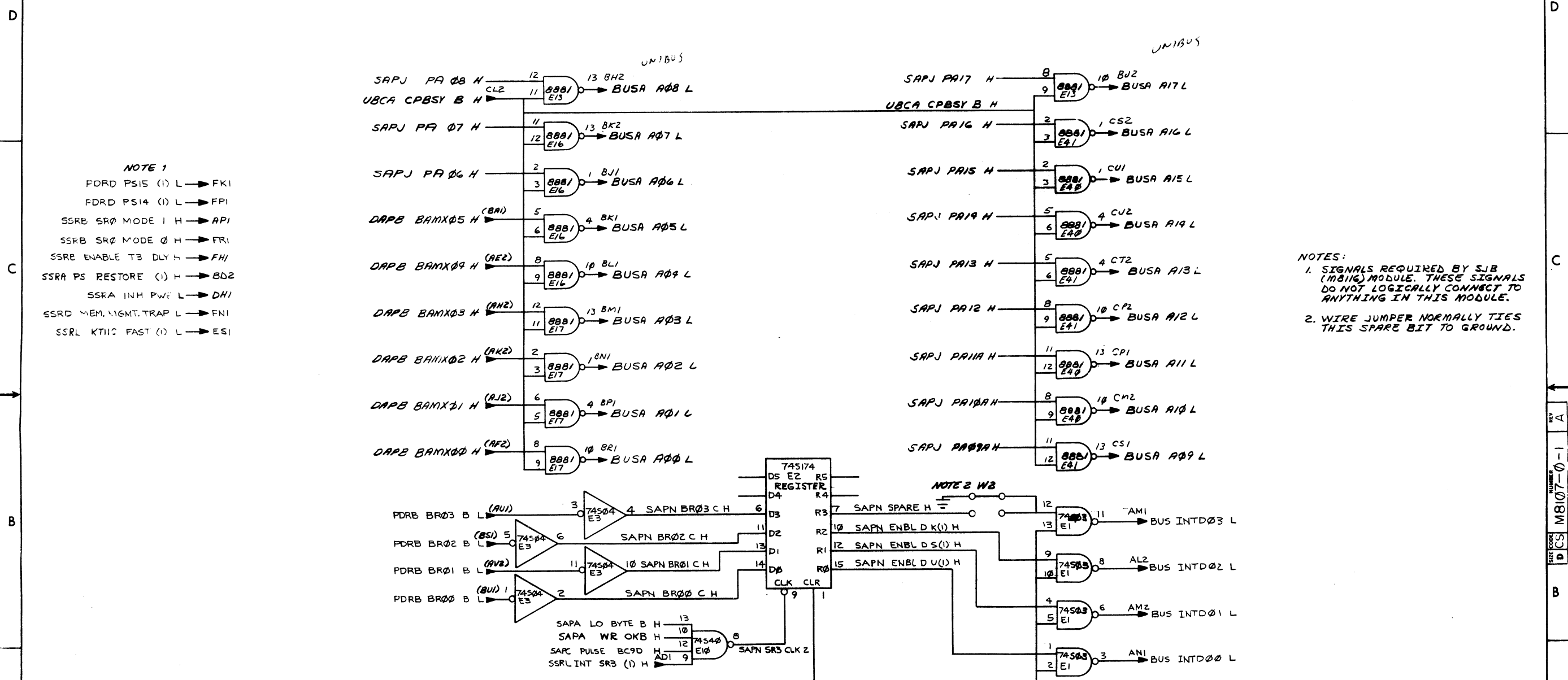
SAFEM

SIZE CODE: DCS NUMBER: M8107-0-1 REV: A

| REV. | CHANGE NO. |
|------|------------|
|      |            |

DEC FORM NO. 102-B

This drawing and specifications, herein, are the property of Digital Equipment Corporation and shall not be reproduced or copied or used in whole or in part as the basis for the manufacture or sale of items without written permission.



**NOTE 1**  
 FDRD PS15 (1) L → FKI  
 FDRD PS14 (1) L → FPI  
 SSRB SR0 MODE 1 H → API  
 SSRB SR0 MODE 0 H → FRI  
 SSRB ENABLE T3 DLY H → FHI  
 SSRA PS RESTORE (1) H → BD2  
 SSRA INH PWE L → DHI  
 SSRD MEM. MGMT. TRAP L → FNI  
 SSRD KTHC FAST (1) L → ESI

**NOTES:**  
 1. SIGNALS REQUIRED BY S1B (MB16) MODULE. THESE SIGNALS DO NOT LOGICALLY CONNECT TO ANYTHING IN THIS MODULE.  
 2. WIRE JUMPER NORMALLY TIES THIS SPARE BIT TO GROUND.

**NOTE 2 W3**

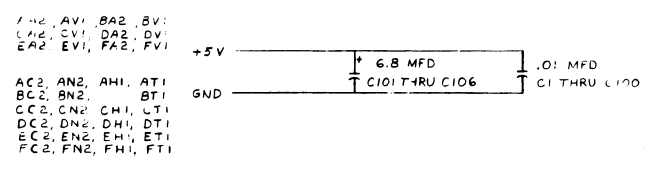
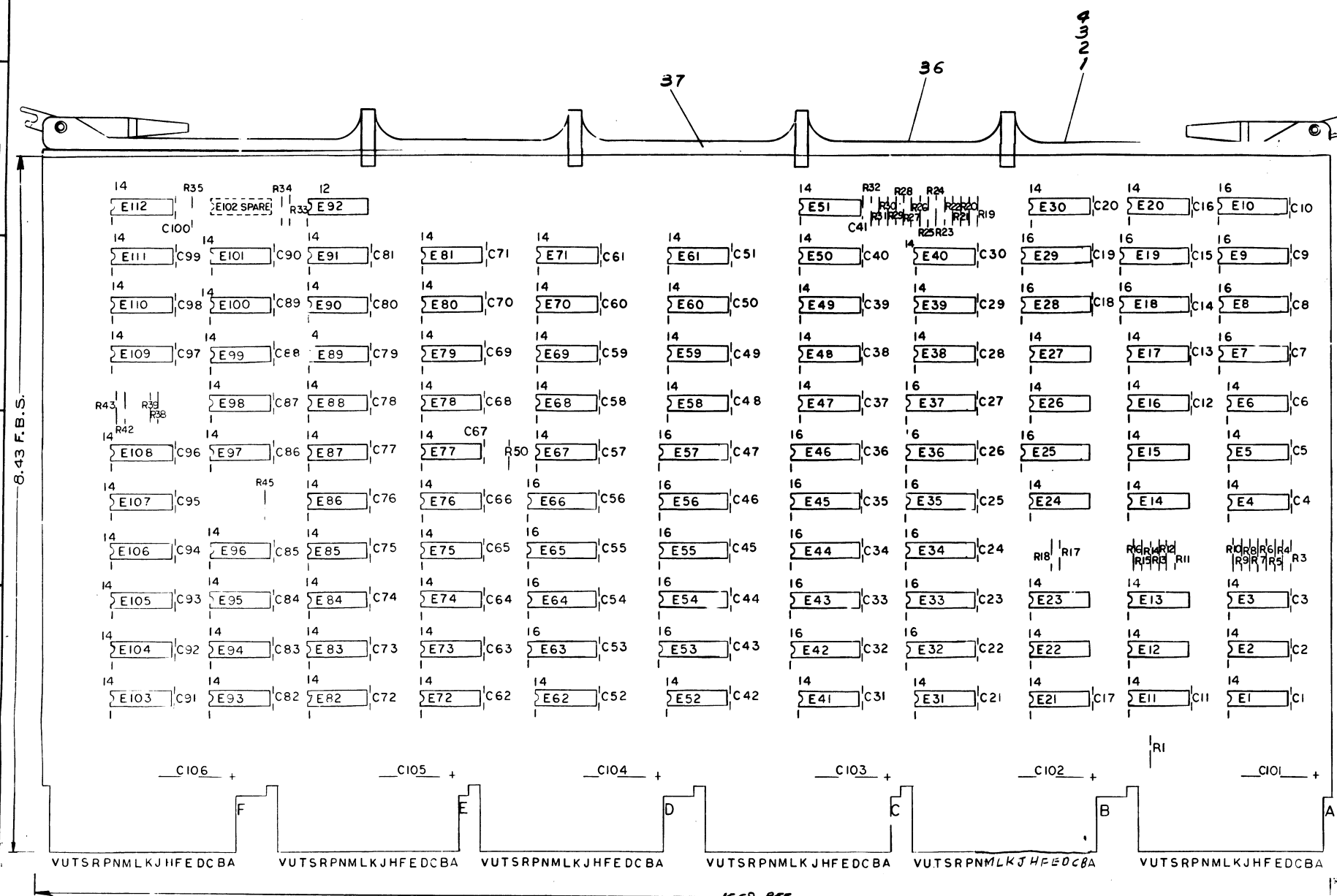
UNIBUS ADDRESS DRIVERS+SR3 SLOT 14

| FIRST USED ON OPTION/MODEL                                 | QTY.              | DESCRIPTION | PART NO.  | ITEM NO. |
|--|-------------------|-------------|---|----------|
| 11/45  |                   |             |   |          |
| PARTS LIST   |                   |             |   |          |
| UNLESS OTHERWISE SPECIFIED DIMENSION IN INCHES. TOLERANCES |                   | DATE        | EQUIPMENT CORPORATION<br>MAYFIELD MASSACHUSETTS |          |
| DECIMALS   | ANGLES            | DATE        | TITLE   |          |
| .XXX - .008  | ± 0° 30'          | 4/1/72      | SYS. ADRS. PATH                                 |          |
| .XX - .02  |                   | 7/5/72      | (SAPN)  |          |
| .X - .1  |                   | 7/5/72      |   |          |
| REMOVE BURRS AND BREAK SHARP CORNERS SURFACE QUALITY       |                   | DATE        |   |          |
| MATERIAL   | NEXT HIGHER ASSY. | DATE        |   |          |
| FINISH   | B-DD-KT11-C       | DATE        |   |          |
| SCALE  | SIZE CODE         | DATE        |   |          |
| SHEET 13 OF 13   | DCS               | DATE        |   |          |
|  | NUMBER            | DATE        |   |          |
|  | M8107-0-1         | DATE        |   |          |
|  | REV               | DATE        |   |          |
|  | A                 | DATE        |   |          |

| REV | CHANGE NO |
|-----|-----------|
|     |           |
|     |           |

1. UNLESS OTHERWISE NOTED RESISTANCE IS IN  $\Omega$  AND CAPACITANCE IS IN PICO FARADS. CAPS WITHOUT VALUE NOTED ARE .01 MFD.

- NOTE:
- UNLESS OTHERWISE NOTED RESISTANCE IS IN  $\Omega$  AND CAPACITANCE IS IN PICO FARADS. CAPS WITHOUT VALUE NOTED ARE .01 MFD.
  - HANDLE IS TO BE STAMPED TO IDENTIFY MB10B-YA VARIATION.
  - THE MB10B-YA IS TO BE INSTALLED ONLY IN CPU'S WITH MB123 RAC MODULES.



1. AN, AV1, BA2, BV1  
 CA2, CV1, DA2, DV1  
 EA2, EV1, FA2, FV1

AC2, AN2, AH1, AT1  
 BC2, BN2, BT1  
 CC2, CN2, CH1, CT1  
 DC2, DN2, DH1, DT1  
 EC2, EN2, EH1, ET1  
 FC2, FN2, FH1, FT1

| IC TYPE    | QTY | REF | DESCRIPTION | PART NO. | ITEM NO. |
|------------|-----|-----|-------------|----------|----------|
| DEC 74S157 | 8   | 16  |             |          |          |
| DEC 74S157 | 8   | 16  |             |          |          |
| DEC 74S157 | 8   | 16  |             |          |          |
| DEC 74S174 | 8   | 16  |             |          |          |
| DEC 74S175 | 8   | 16  |             |          |          |
| DEC 74S174 | 8   | 16  |             |          |          |
| DEC 74S153 | 8   | 16  |             |          |          |
| DEC 74S153 | 8   | 16  |             |          |          |

IC PIN LOCATIONS JUMPER LIST

| MB10B-YA | MB10B   | DESCRIPTION                  | PART NO.   | ITEM NO. |
|----------|---|------------------------------|------------|----------|
| 1        | E7  | IC DEC ROM 256X4             | 23-C89A2   | 48       |
| 1        | E8  | IC DEC ROM 256X4             | 23-C84A2   | 44       |
| 1        | E9  | IC DEC ROM 256X4             | 23-C90A2   | 43       |
| 1        | E10   | IC DEC ROM 256X4             | 23-C88A2   | 42       |
| 1        | E11   | IC DEC ROM 256X4             | 23-C45A2   | 41       |
| 1        | E12   | IC DEC ROM 256X4             | 23-C36A2   | 40       |
| 1        | E13   | IC DEC ROM 256X4             | 23-C35A2   | 39       |
| 12       | R3, R5, R7, R9, R11, R13, R15, R17, R19, R21, R23, R31                          | RES 560 1/4W 5%              | 1301890    | 38       |
| 12       | R12   | RES 560 1/4W 5%              | 1301890    | 37       |
| 1        | R1  | HANDLE MODULE                | 1502001-2  | 36       |
| 6        | R4, R6, R8, R10, R12, R14, R16, R18, R20, R22, R24, R26, R28, R30, R32, R34     | IC DEC 74S174                | 1502550    | 35       |
| 3        | R2, R4, R6, R8, R10, R12, R14, R16, R18, R20, R22, R24, R26, R28, R30, R32, R34 | IC DEC 74S157                | 1502550    | 34       |
| 1        | R1  | IC DEC 74S157                | 1502550    | 33       |
| 13       | R13   | IC DEC 74S174                | 1502550    | 32       |
| 9        | R9  | IC DEC 74S157                | 1502550    | 31       |
| 5        | R5  | IC DEC 74S157                | 1502550    | 30       |
| 1        | R1  | IC DEC 74S157                | 1502550    | 29       |
| 8        | R8  | IC DEC 74S11                 | 1502550    | 28       |
| 6        | R6  | IC DEC 74S10                 | 1502550    | 27       |
| 12       | R12   | IC DEC 74S09                 | 1502550    | 26       |
| 8        | R8  | IC DEC 74S00                 | 1502550    | 25       |
| 7        | R7  | IC DEC 74H30                 | 1502550    | 24       |
| 1        | R1  | IC DEC 74H21                 | 1502550    | 23       |
| 5        | R5  | IC DEC 3001                  | 1502550    | 22       |
| 1        | R1  | IC DEC ROM 74187             | 23-C34A2   | 21       |
| 4        | R4  | IC DEC 74175                 | 1502550    | 20       |
| 2        | R2  | IC DEC 74174                 | 1502550    | 19       |
| 8        | R8  | IC DEC 74153                 | 1502550    | 18       |
| 1        | R1  | IC DEC 7402                  | 1502550    | 17       |
| 3        | R3  | IC DEC 7401                  | 1502550    | 16       |
| 3        | R3  | IC DEC 74505                 | 1502550    | 15       |
| 1        | R1  | DELAY LINE (50 NS) D480      | 1502550    | 14       |
| 14       | R14   | RES 1K 1/4W 5%               | 1300365    | 13       |
| 4        | R4  | RES 750 1/4W 5%              | 1301401    | 12       |
| 4        | R4  | RES 1.5K 1/4W 5%             | 1300391    | 11       |
| 1        | R1  | RES 330 1/4W 5%              | 1300309    | 10       |
| 3        | R3  | RES 150 1/4W 5%              | 1300250    | 9        |
| 2        | R2  | RES 100 1/4W 5%              | 1300229    | 7        |
| 6        | C101 THRU C108  | CAP. 6.8 MFD 50V 10% STRAP   | 1005306    | 6        |
| 100      | C1 THRU C100  | CAP. .01 MFD 100V 50% DISK   | 1001670-01 | 5        |
| 1        | R1  | ETCHED CIRCUIT BOARD         | 5009800    | 4        |
| REF      | REF   | MODULE 800 HISTORY           | 1502550-03 | 3        |
| REF      | REF   | ASSEMBLING HOLE LAYOUT       | 1502550-05 | 2        |
| REF      | REF   | X-Y COORDINATE HOLE LOCATION | 1502550-07 | 1        |

ETCH BOARD REV B

VERRELL BOEHN  
 12-17-75  
 MB10B-00008 H  
 12-17-75  
 MB10B-00007 F  
 12-17-75  
 MB10B-00006 E  
 12-17-75  
 MB10B-00005 D  
 12-17-75  
 MB10B-00004 C  
 12-17-75  
 MB10B-00003 B  
 12-17-75  
 MB10B-00002 A  
 12-17-75  
 MB10B-00001

SEMICONDUCTOR CONVERSION CHART

DEC NO. EIA NO. DEC NO. EIA NO.

SCALE 2-1

SHEET 2 OF 13

EQUIPMENT CORPORATION  
 TITLE  
 SYS. STATUS REG

This drawing and specifications, herein, are the property of Digital Equipment Corporation and shall not be reproduced or copied or used in whole or in part as the basis for the manufacture or sale of items without written permission.

| ROM ENCODING (1-4)       | 1  | 2  | 3  | 4  |
|--------------------------|----|----|----|----|
| FUNCTION                 | M0 | M1 | M2 | M3 |
| NO OPERATION             | 0  | 0  | 0  | X  |
| RESTORE PROCESSOR STATUS | 1  | 0  | 0  | X  |
| AUTO INCREMENT           | 0  | 1  | 0  | X  |
| AUTO DECREMENT           | 1  | 1  | 0  | X  |
| BRK.30                   | 0  | 0  | 1  | X  |
| INHIBIT PADWRITE ENABLE  | 1  | 0  | 1  | X  |
| CLR ADRS 16,17           | 0  | 1  | 1  | X  |
| CLR PS RESTORE           | 1  | 1  | 1  | X  |
| DESTINATION MODE         | X  | X  | X  | 1  |
| NOT DESTINATION MODE     | X  | X  | X  | 0  |

CLK PREV. MODE (MT/FP)

| ROM ENCODING (5-8)          | 5  | 6  | 7  | 8  |
|-----------------------------|----|----|----|----|
| FUNCTION                    | M0 | M1 | M2 | M3 |
| KEYN DATA (TRAP OR ABORT)   | X  | 1  | X  | X  |
| KEYN DATA I (TRAP OR ABORT) | 1  | X  | X  | X  |
| BUST                        | X  | X  | 1  | X  |
| I SPACE IF MT/F PI          | X  | X  | X  | 1  |

Clock PREV mode (MT/FP)

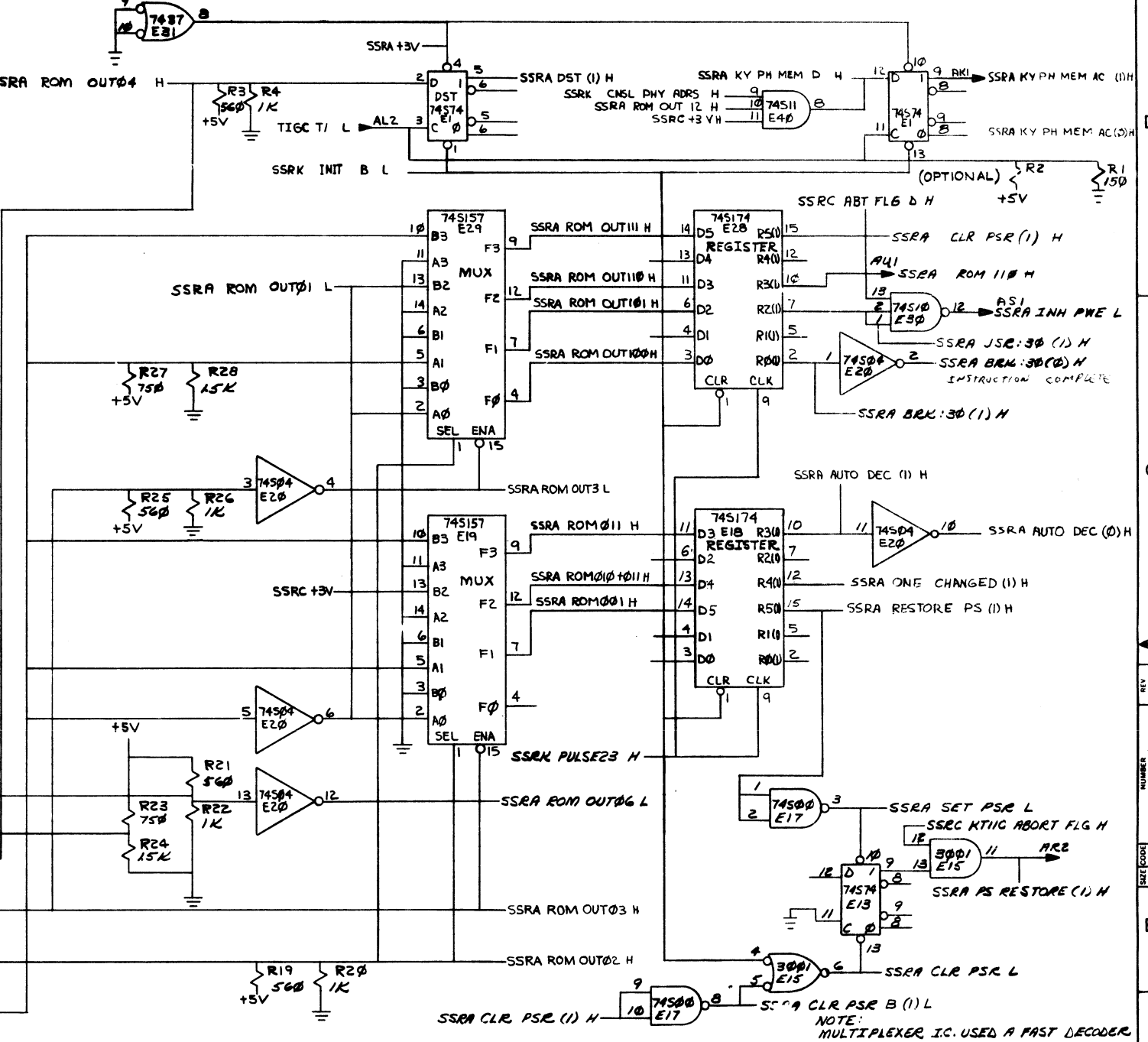
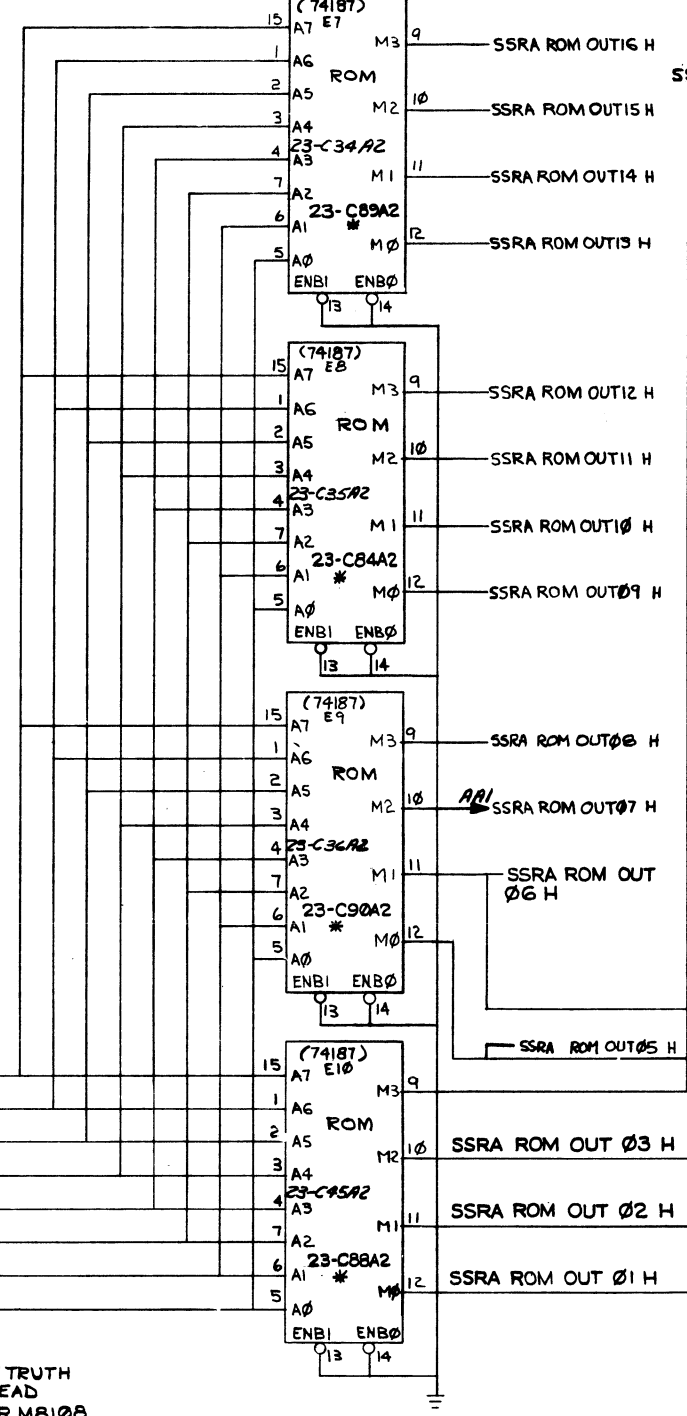
| ROM ENCODING (9-12)      | 9  | 10 | 11 | 12 |
|--------------------------|----|----|----|----|
| FUNCTION                 | M0 | M1 | M2 | M3 |
| I SPACE ON IND. WORD FET | 1  | X  | X  | X  |
| I IF INST START IN I     | X  | X  | 1  | X  |
| I IF CNSL DEP. + EXAM.   | X  | X  | X  | 1  |

| ROM ENCODING (13-16) | 13 | 14 | 15 | 16 |
|----------------------|----|----|----|----|
| FUNCTION             | M0 | M1 | M2 | M3 |
| SRCM = 1+2+3+4+5     | 1  | X  | X  | X  |
| DSTM = 1+2           | X  | 1  | X  | X  |
| DSTM = 3             | X  | X  | 1  | X  |
| FLOATING POINT INST. | X  | X  | X  | 1  |

RACD RAR07 H → AD1  
 RACD RAR06 H → AE2  
 RACD RAR05 H → AD2  
 RACD RAR04 H → AC1  
 RACD RAR03 H → AF2  
 RACD RAR02 H → AF1  
 RACD RAR01 H → AH2  
 RACD RAR00 H → AE1

NOTE 1:  
 SEE SHEET SSRM FOR A "TRUTH TABLE" OF THE 74187 READ ONLY MEMORY (ROM) FOR M8108  
 SEE SHEET SSRN FOR M8108-YA "ROM TRUTH TABLE"  
 2: (\*) USED IN M8108-YA

NOTES 1+2



| 74517                |         |
|----------------------|---------|
| INPUT LINES SELECTED | SEL ENA |
| A3                   | L       |
| A2                   | L       |
| A1                   | L       |
| A0                   | L       |
| B3                   | H       |
| B2                   | H       |
| B1                   | H       |
| B0                   | H       |

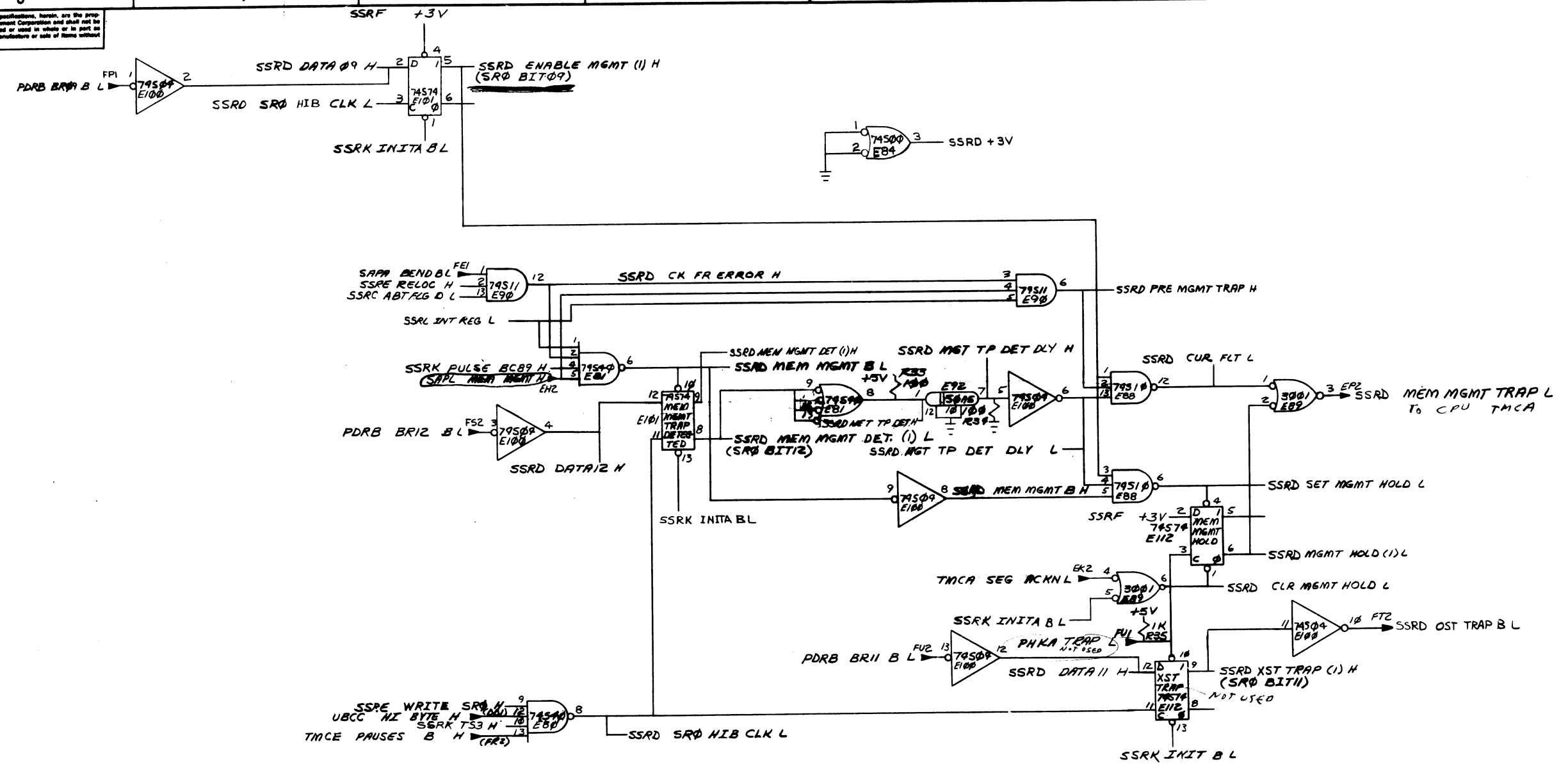
| FIRST USED ON OPTION/MODEL                                 |         | QTY.        | DESCRIPTION   | PART NO.                      | ITEM NO. |
|--|---------|-------------|---------------|-------------------------------|----------|
| 11/45  |         |             |               |                               |          |
| PARTS LIST   |         |             |               |                               |          |
| UNLESS OTHERWISE SPECIFIED DIMENSION IN INCHES. TOLERANCES |         |             |               |                               |          |
| DECIMALS   | ANGLES  | DRN         | DATE          | digital EQUIPMENT CORPORATION |          |
| .XXX - .005  | ±0° 30' | CHK         | 10/12/71      | MAYNARD MASSACHUSETTS         |          |
| .XX - .02  |         | ENG         | 3/17/72       | TITLE                         |          |
| .X - .1  |         | PROJ. ENG.  | 3/17/72       | SYS. STATUS REG.              |          |
| REMOVE BURRS AND BREAK SHARP CORNERS SURFACE QUALITY       |         |             |               |                               |          |
| MATERIAL   |         |             |               |                               |          |
| NEXT HIGHER ASSY.  |         |             |               |                               |          |
| FINISH   |         |             |               |                               |          |
| SCALE  |         | SIZE CODE   | NUMBER        | REV.                          |          |
| SHEET 2 OF 13  |         | B-DD-KT11-C | DCS M8108-0-1 | H                             |          |
| DIST.  |         |             |               |                               |          |

REVISIONS  
 CHANGE NO.  
 REV.





This drawing and specifications, herein, are the property of Digital Equipment Corporation and shall not be reproduced or copied or used in whole or in part as the basis for the manufacture or sale of items without written permission.



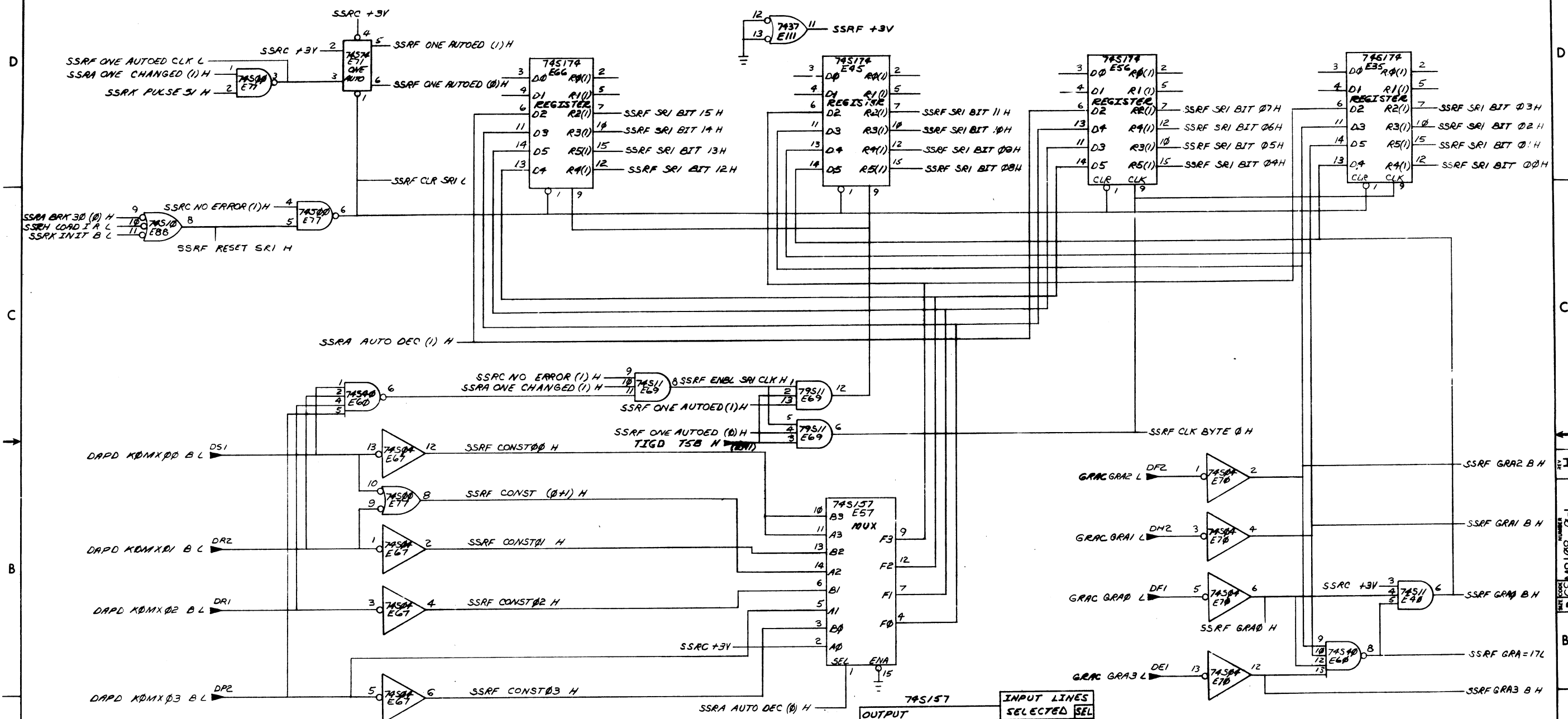
STATUS REGISTER \*0-MEMORY MANAGEMENT TRAP SLOT 13

| FIRST USED ON OPTION/MODEL                                 | QTY.              | DESCRIPTION                          | PART NO.  | ITEM NO.  |
|--|-------------------|--------------------------------------|---|-----------|
| 11/45  |                   |                                      |   |           |
| PARTS LIST   |                   |                                      |   |           |
| UNLESS OTHERWISE SPECIFIED DIMENSION IN INCHES. TOLERANCES |                   | DRN. <i>Wint</i> DATE 5-27-71        | <b>DIGITAL</b> EQUIPMENT CORPORATION<br>MAYNARD MASSACHUSETTS |           |
| DECIMALS   | ANGLES            | DATE 5/1/72                          |   |           |
| .XXX - .008  | ±0° 30'           | ENG. <i>RC</i> DATE 11/17/70         | TITLE<br><b>SYS. STATUS REG.</b><br>(SSRD)                    |           |
| .XX - .02  |                   | PROJ. ENG. <i>RC</i> DATE 11/17/70   |   |           |
| .X - .1  |                   | FRONT PANEL <i>Wint</i> DATE 5/27/71 |   |           |
| REMOVE BURRS AND BREAK SHARP CORNERS SURFACE QUALITY       |                   | DATE 5/27/71                         |   |           |
| MATERIAL   | NEXT HIGHER ASSY. |                                      | MFG. CODE   | NUMBER    |
| --   | B-DD-KT11-C       |                                      | DCS   | M8108-0-1 |
| FINISH   | SCALE             |                                      |   | REV       |
| --   | 5 OF 13           |                                      |   | H         |

|           |  |
|-----------|--|
| REV       |  |
| CHANGE NO |  |
| CHK       |  |



This drawing and specifications herein, are the property of Digital Equipment Corporation and shall not be reproduced or copied or used in whole or in part as the basis for the manufacture or sale of items without written permission.



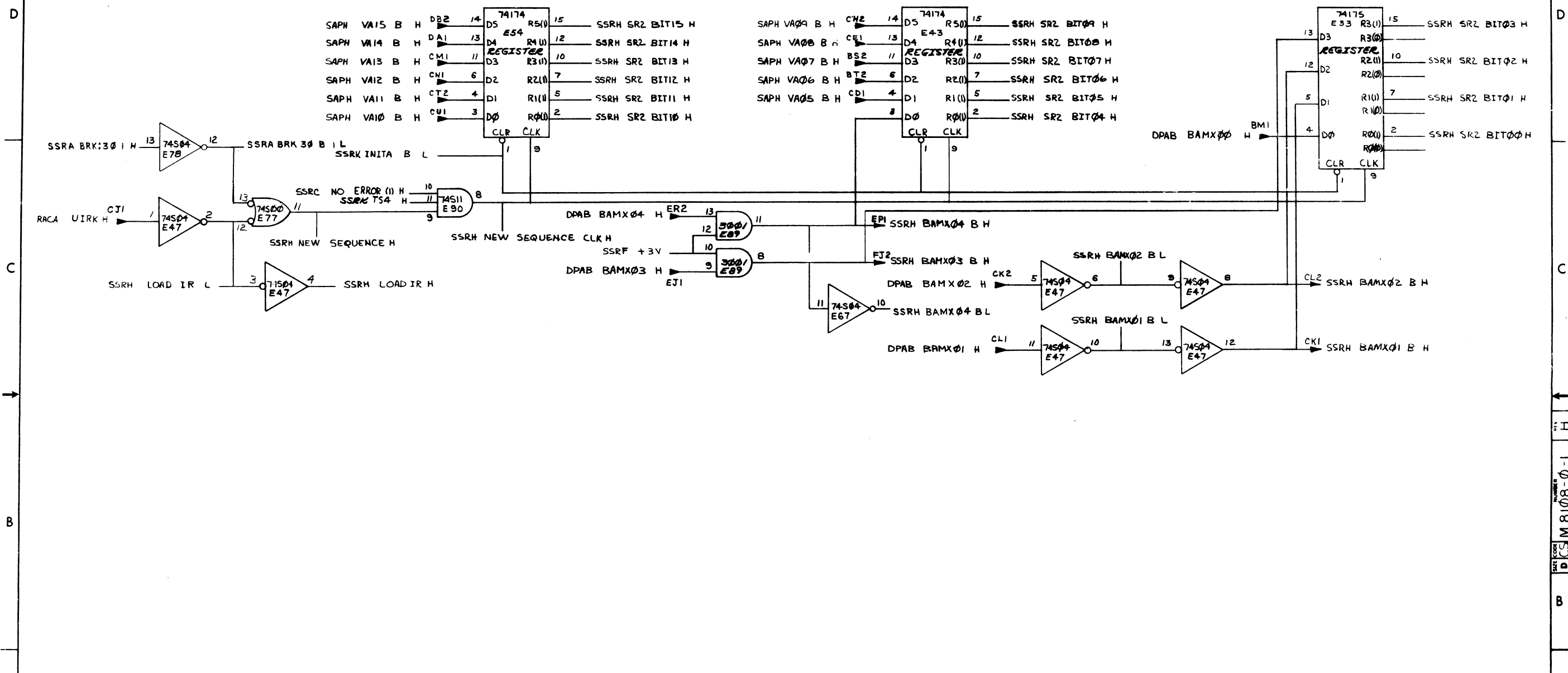
| 74S157            |             | INPUT LINES |  |  |  |
|-------------------|-------------|-------------|--|--|--|
| OUTPUT            | SELECTED    | SEL         |  |  |  |
| NEGATIVE CONSTANT | A3 A2 A1 A0 | L           |  |  |  |
| POSITIVE CONSTANT | B3 B2 B1 B0 | H           |  |  |  |

STATUS REGISTER\*1-AUTO INC/DEC INFO. SLOT 13

| FIRST USED ON OPTION/MODEL                                 | QTY.              | DESCRIPTION      | PART NO.  | ITEM NO. |
|--|-------------------|------------------|-----------|----------|
| 11/45  |                   |                  |           |          |
| PARTS LIST   |                   |                  |           |          |
| UNLESS OTHERWISE SPECIFIED DIMENSION IN INCHES. TOLERANCES |                   |                  |           |          |
| DECIMALS   | ANGLES            | TITLE            |           |          |
| .XXX - .005  | ±0° 30'           | SYS. STATUS REG. |           |          |
| REMOVE BURRS AND BREAK SHARP CORNERS SURFACE QUALITY       |                   |                  |           |          |
| MATERIAL   | NEXT HIGHER ASSY. | SIZE CODE        | NUMBER    | REV.     |
| FINISH   | B-DD-KT11-C       | DCS              | M8108-0-1 | H        |
| SHEET 7 OF 13  |                   | DIST.            |           |          |

|     |    |      |    |
|-----|----|------|----|
| REV | NO | DATE | BY |
| 1   |    |      |    |
| 2   |    |      |    |
| 3   |    |      |    |
| 4   |    |      |    |
| 5   |    |      |    |
| 6   |    |      |    |
| 7   |    |      |    |
| 8   |    |      |    |

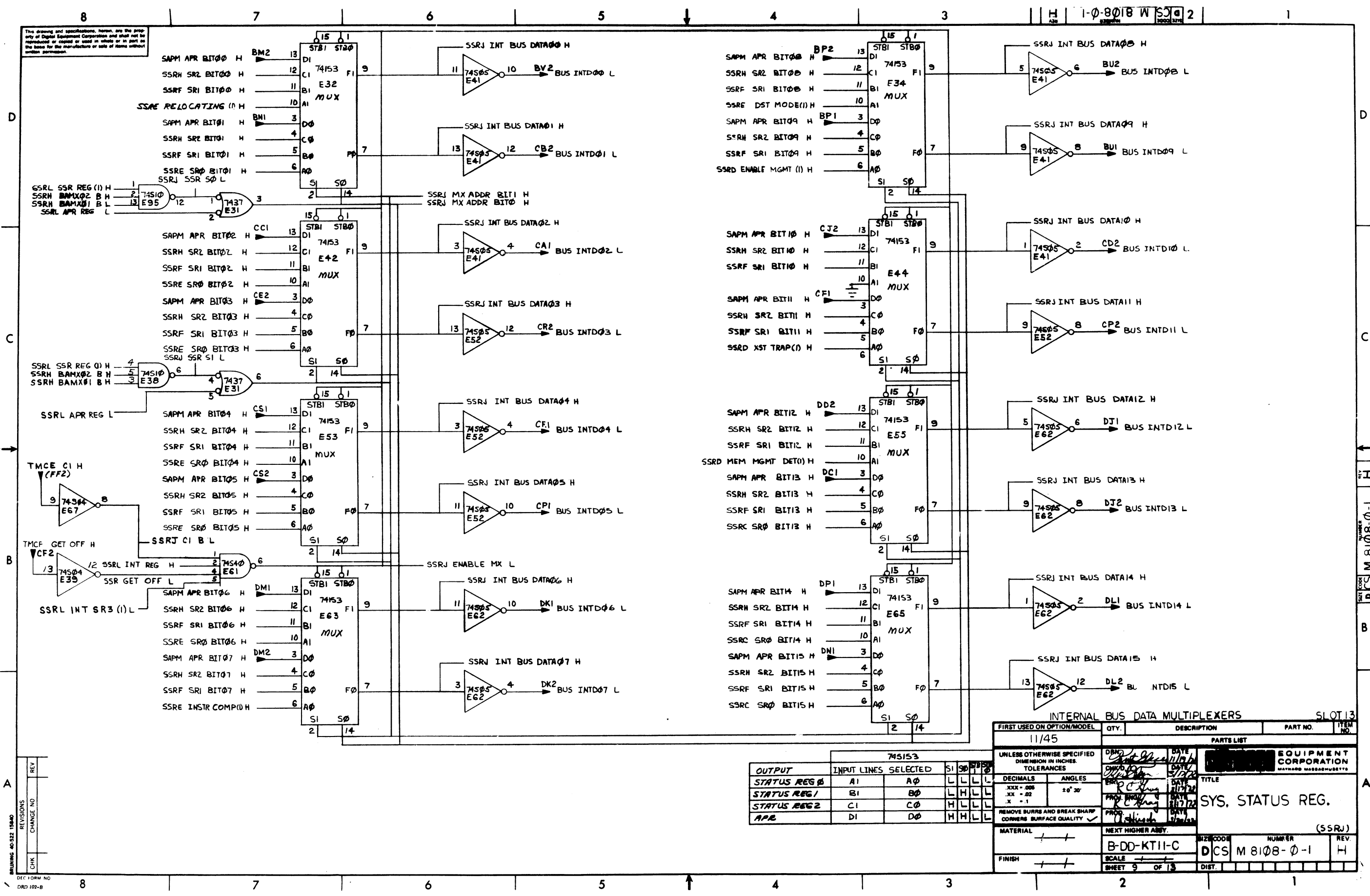
The drawing and specifications, herein, are the property of Digital Equipment Corporation and shall not be reproduced or copied or used in whole or in part as the basis for the manufacture or sale of items without written permission.



STATUS REGISTER #2 INST OR TRAP VECTOR ADDRESS CLOT13

| FIRST USED ON OPTION/MODEL                                 | QTY.              | DESCRIPTION | PART NO.              | ITEM NO. |
|--|-------------------|-------------|-----------------------|----------|
| 11/45  |                   |             |                       |          |
| PARTS LIST   |                   |             |                       |          |
| UNLESS OTHERWISE SPECIFIED DIMENSION IN INCHES. TOLERANCES |                   | DATE        | EQUIPMENT CORPORATION |          |
| DECIMALS   | ANGLES            | DATE        | MATHARD MESSABHUSE    |          |
| .XXX - .009  | ± 0° 30'          | DATE        | TITLE                 |          |
| .XX - .02  |                   | DATE        | SYS. STATUS REG.      |          |
| .X - .1  |                   | DATE        | (SSRH)                |          |
| REMOVE BURRS AND BREAK SHARP CORNERS SURFACE QUALITY       |                   | DATE        |                       |          |
| MATERIAL   | NEXT HIGHER ASSY. | DATE        |                       |          |
| FINISH   | B-DD-KT11-C       | DATE        |                       |          |
| SCALE  |                   | DATE        |                       |          |
| SHEET 6 OF 13  |                   | DATE        |                       |          |
| DISTRIBUTION   |                   | DATE        |                       |          |
| DIST   |                   | DATE        |                       |          |

|                      |            |
|----------------------|------------|
| BRUNING 40-522 15840 | REV        |
| REVISIONS            | CHANGE NO. |
| CHK                  |            |



| FIRST USED ON OPTION/MODEL | QTY. | DESCRIPTION | PART NO. | ITEM NO. |
|----------------------------|------|-------------|----------|----------|
| 11/45                      |      |             |          |          |

| OUTPUT       | INPUT LINES | SELECTED | SI | SP | ST | SO |
|--------------|-------------|----------|----|----|----|----|
| STATUS REG 0 | A1          | A0       | L  | L  | L  | L  |
| STATUS REG 1 | B1          | B0       | L  | H  | L  | L  |
| STATUS REG 2 | C1          | C0       | H  | L  | L  | L  |
| APR          | D1          | D0       | H  | H  | L  | L  |

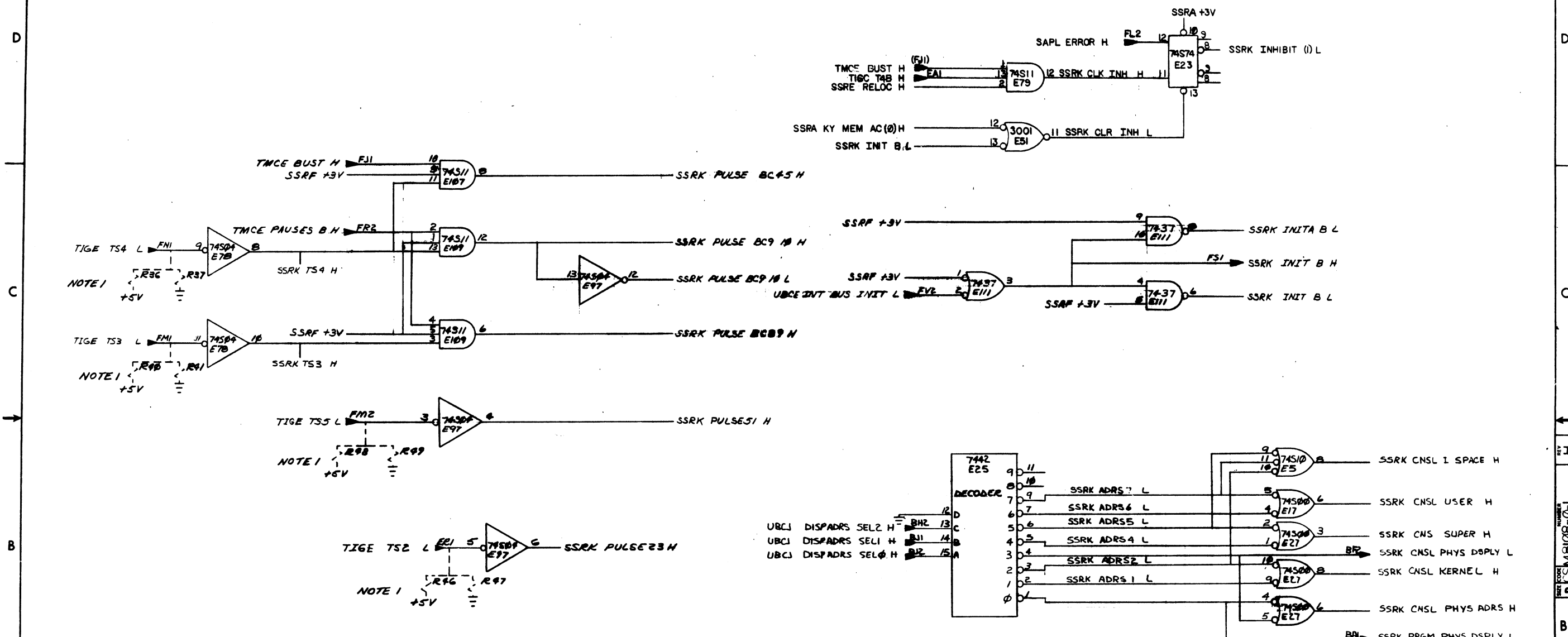
| UNLESS OTHERWISE SPECIFIED DIMENSION IN INCHES. TOLERANCES |                | DATE              |            | EQUIPMENT CORPORATION |     |
|--|----------------|-------------------|------------|-----------------------|-----|
| DECIMALS .XX - .02   | ANGLES 10° 30' | DATE 11/72        | DATE 11/72 | SYS. STATUS REG.      |     |
| REMOVE BURRS AND BREAK SHARP CORNERS SURFACE QUALITY       |                | DATE 11/72        | DATE 11/72 | (SSRJ)                |     |
| MATERIAL   | FINISH         | NEXT HIGHER ASBY. | INSTR CODE | NUMBER                | REV |
|  |                | B-DD-KT11-C       | DCS        | M 8108-0-1            | H   |
| SHEET 9 OF 13  |                | SCALE             |            | DIST.                 |     |

REVISIONS  
 CHANGE NO.  
 CHK  
 DEC FORM NO  
 DRD 102-B

PART NO. M 8108-0-1  
 SHEET 9 OF 13

NOTES:  
1. TERMINATION RESISTORS NOT USED.

This drawing and specifications, herein, are the property of Digital Equipment Corporation and shall not be reproduced or copied in whole or in part as the basis for the manufacture or sale of items without written permission.



| ADDRESS SELECT SWITCH POSITION | UBCJ DIS ADRS SEL 2 | UBCJ DIS ADRS SEL 1 | UBCJ DIS ADRS SEL 0 |
|--------------------------------|---------------------|---------------------|---------------------|
| PROGRAM PHYSICAL               | L                   | L                   | L                   |
| KERNEL D VIRTUAL               | L                   | L                   | H                   |
| KERNEL I VIRTUAL               | L                   | H                   | H                   |
| CONSOLE PHYSICAL               | H                   | H                   | L                   |
| SUPERVISOR D VIRTUAL           | H                   | L                   | L                   |
| SUPERVISOR I VIRTUAL           | H                   | L                   | H                   |
| USER D VIRTUAL                 | H                   | H                   | L                   |
| USER I VIRTUAL                 | H                   | H                   | H                   |

CNSL.ADRS.SEL.SWITCH, TIMING LOGIC, INIT SLO13

|   |         |   |           |              |
|---|---------|---|-----------|--------------|
| FIRST USED ON OPTION/MODEL                                | QTY.    | DESCRIPTION                                 | PART NO.  | ITEM NO.     |
| 11/45   |         |   |           |              |
| PARTS LIST  |         |   |           |              |
| UNLESS OTHERWISE SPECIFIED DIMENSION IN INCHES TOLERANCES |         | EQUIPMENT CORPORATION MAYNARD MASSACHUSETTS |           |              |
| DECIMALS  | ANGLES  | TITLE                                       |           |              |
| .XX - .005  | ±0° 30' | SYS.STATUS.REG.                             |           |              |
| .X - .01  |         | (SSRK)                                      |           |              |
| MATERIAL  |         | NEXT HIGHER ASSY.                           | SIZE CODE | NUM'ER       |
| FINISH  |         | B-DD-KT11-C                                 | D         | CS M8108-0-1 |
|   |         | SCALE                                       | SHEET     | REV.         |
|   |         | 10  | 2         | H            |
|   |         | OF 13                                       | DIST.     |              |

REVISIONS  
NO. CHANGE NO. REV.  
CHK  
DEC FORM NO. DRD 102-B











