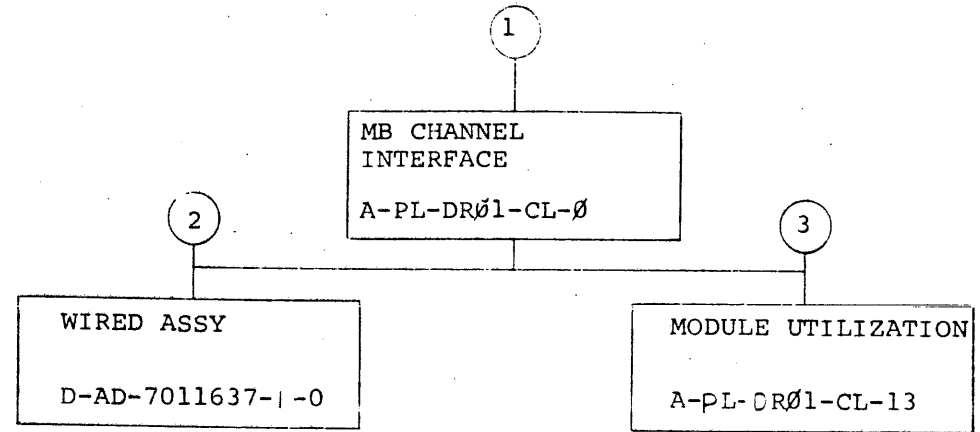


REV	DRØ1-CL NUMBER	B DD CODE	B SIZE
-----	-------------------	-----------------	-----------

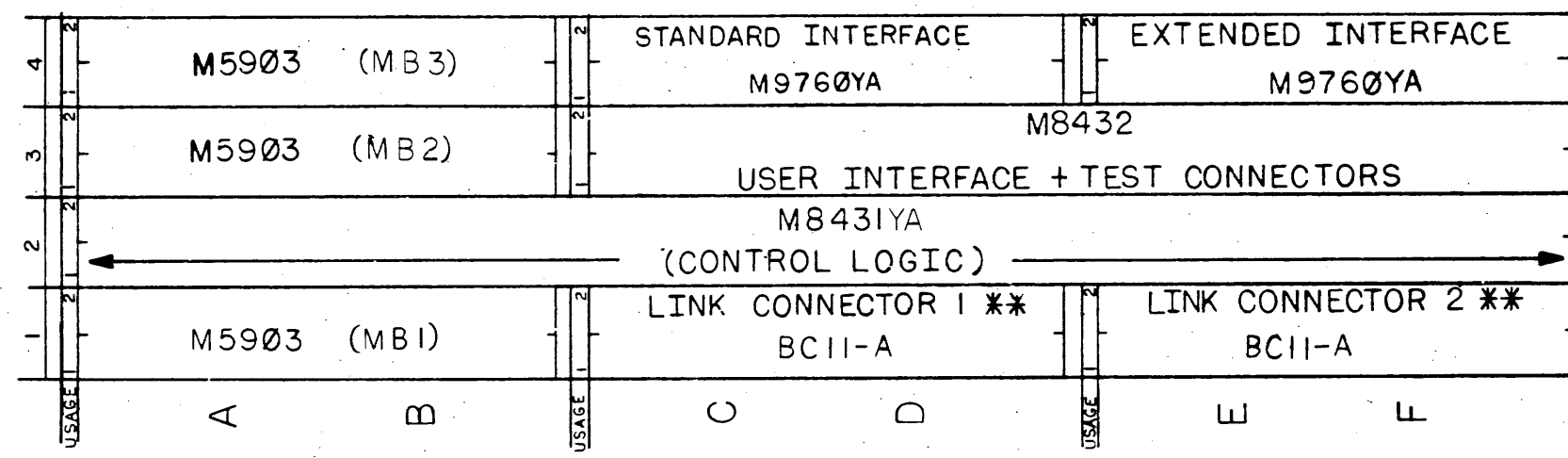
"THIS DRAWING AND SPECIFICATIONS, HEREIN, ARE THE PROPERTY OF DIGITAL EQUIPMENT CORPORATION AND SHALL NOT BE REPRODUCED OR COPIED OR USED IN WHOLE OR IN PART AS THE BASIS FOR THE MANUFACTURE OR SALE OF ITEMS WITHOUT WRITTEN PERMISSION. 1977
COPYRIGHT © DIGITAL EQUIPMENT CORPORATION"



TITLE	SIZE CODE	NUMBER	REV
MB CHANNEL INTERFACE	B DD	DRØ1-CL	
SHEET 2 OF 3			

"THIS DRAWING AND SPECIFICATIONS, HEREIN, ARE THE PROPERTY OF DIGITAL EQUIPMENT CORPORATION AND SHALL NOT BE REPRODUCED OR COPIED OR USED IN WHOLE OR IN PART AS THE BASIS FOR THE MANUFACTURE OR SALE OF ITEMS WITHOUT WRITTEN PERMISSION. COPYRIGHT © 1977 DIGITAL EQUIPMENT CORPORATION"

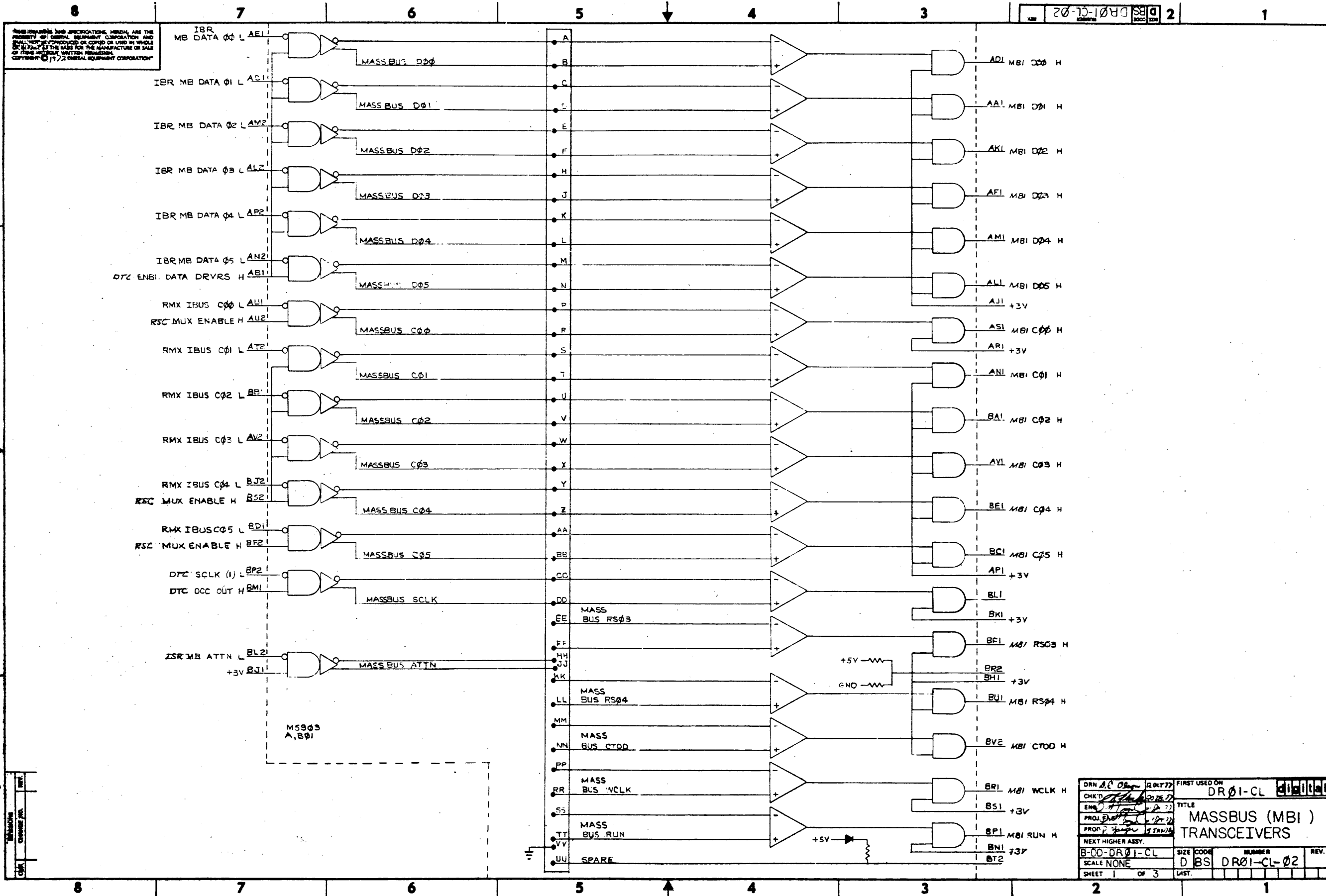
NOTE:
 1. ** SLOTS C01, D01, E01 AND F01 ARE INTENDED FOR CONNECTING TWO INTERFACES BACK-TO-BACK. SLOTS C04, D04, E04 AND F04 ARE THE NORMAL USER INTERFACE CONNECTIONS. BCII-A CABLE CONNECTION ARE NOT SUPPLIED WITH THE DR01-CL



REV.	
CHG	
NO.	

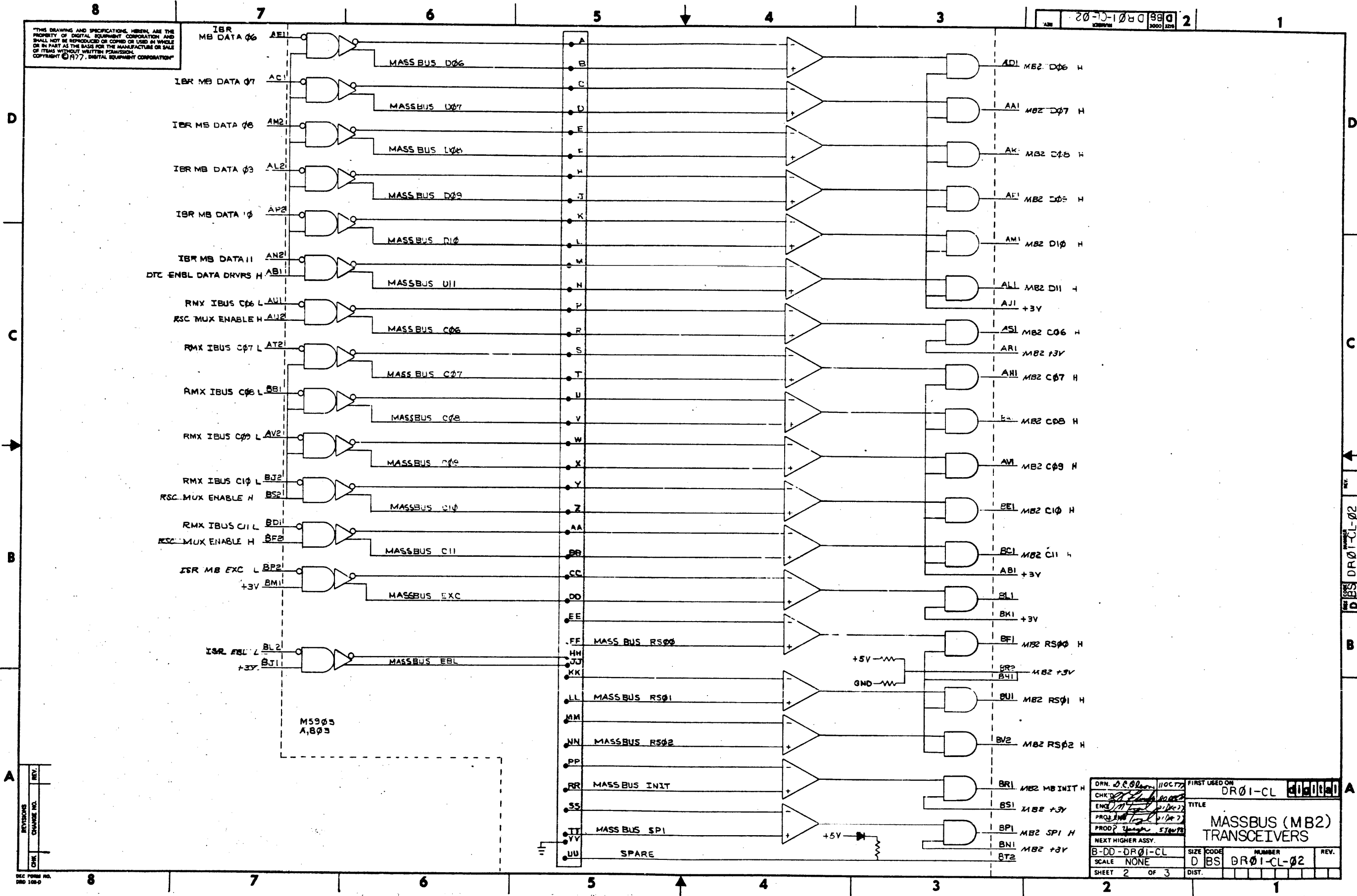
FIRST USED ON OPTION/MODEL DR01-CL		QTY.	DESCRIPTION	PART NO.	ITEM NO.
DIMENSIONAL TOLERANCE		PARTS LIST			
DIMENSIONS ARE MILLIMETERS INCHES UNLESS OTHERWISE SPECIFIED		DRN B. E. Olson 11 OCT 77	DATE		
MILLIMETERS INCHES ANGLES		CHK'D D. J. Taylor 11 OCT 77	DATE		
X,XX ±0.10	.XXX ±.005	DATE D. J. Taylor 11 OCT 77	DATE		
X,X ±0.5	.XX ±.02	DATE R. Yeager 5 JAN 78	DATE		
X ±.2	.X ±.1	THIRD ANGLE PROJECTION		TITLE MODULE UTILIZATION	
REMOVE BURRS AND BREAK SHARP CORNERS SURFACE QUALITY ✓		NEXT HIGHER ASSY.		SIZE CODE	NUMBER
MATERIAL		B-DD-DR01-CL		C MU	DR01-CL-13
FINISH		SCALE NONE			
		SHEET 1 OF 1		DIST.	

ALL DIMENSIONS AND SPECIFICATIONS HEREIN ARE THE PROPERTY OF ORBITAL EQUIPMENT CORPORATION AND SHALL NOT BE REPRODUCED OR COPIED OR USED IN WHOLE OR IN PART AS THE BASIS FOR THE MANUFACTURE OR SALE OF ITEMS WITHOUT WRITTEN PERMISSION. COPYRIGHT © 1972 ORBITAL EQUIPMENT CORPORATION



DRN: <i>D.C. Ober</i>	REV: 12/77	FIRST USED ON: DR01-CL
CHK'D: <i>[Signature]</i>	DATE: 12/77	TITLE: MASSBUS (MBI) TRANSCIVERS
ENG: <i>[Signature]</i>	DATE: 12/77	SCALE: NONE
PROJ. ENGR: <i>[Signature]</i>	DATE: 12/77	SIZE: D
PROP. ENGR: <i>[Signature]</i>	DATE: 5 Jan 78	CODE: BS
NEXT HIGHER ASSY: B-DD-DR01-CL	NUMBER: DR01-CL-02	REV.:
SHEET 1 OF 3	LIST:	

THIS DRAWING AND SPECIFICATIONS, HEREIN, ARE THE PROPERTY OF DIGITAL EQUIPMENT CORPORATION AND SHALL NOT BE REPRODUCED OR COPIED OR USED IN WHOLE OR IN PART AS THE BASIS FOR THE MANUFACTURE OR SALE OF ITEMS WITHOUT WRITTEN PERMISSION. COPYRIGHT © 1977, DIGITAL EQUIPMENT CORPORATION

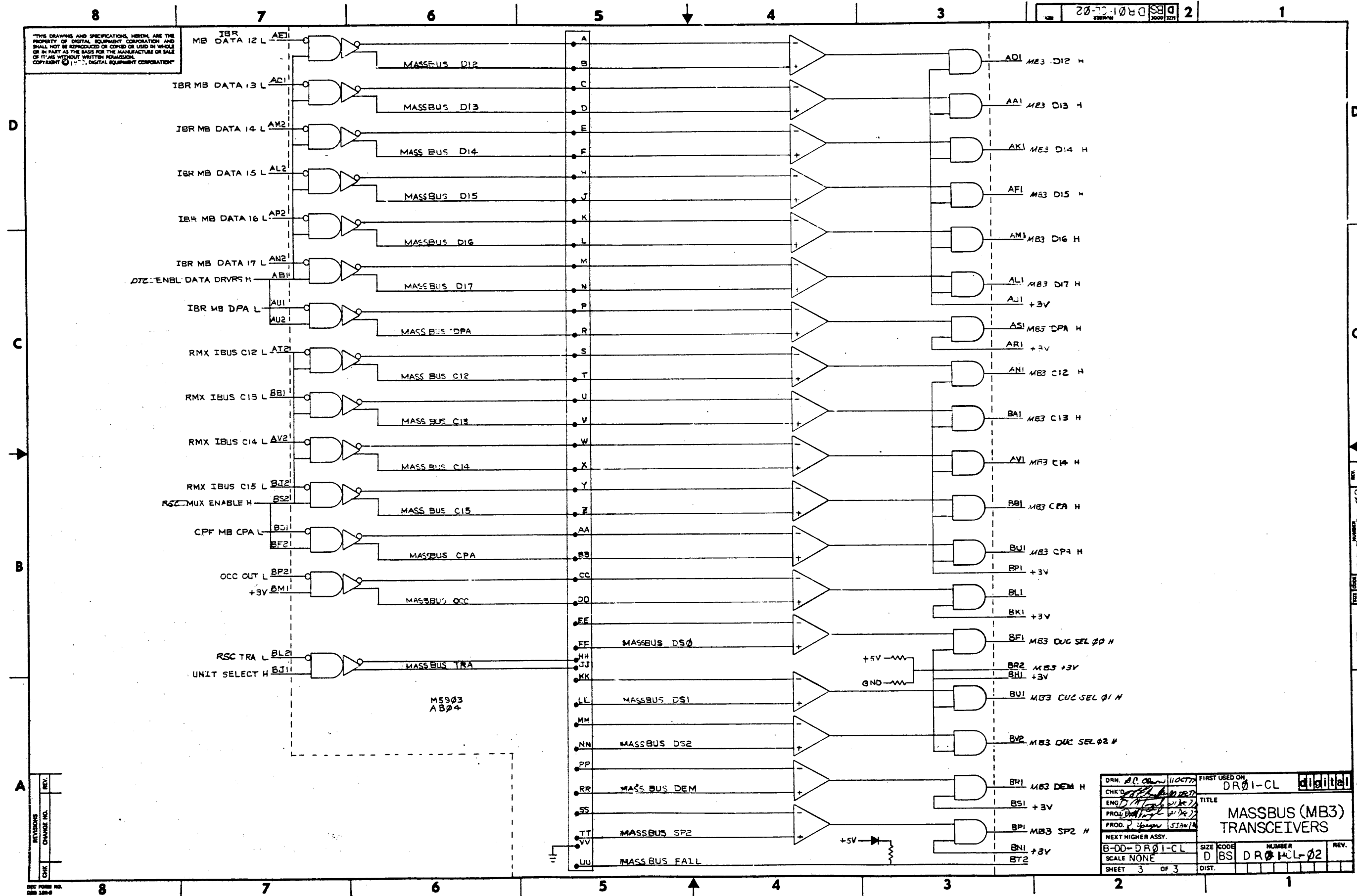


REV.	
CHANGE NO.	
CHK	

DRN. <i>D.C. 02</i>	110677	FIRST USED ON	DR01-CL
CHK. <i>[Signature]</i>		TITLE	MASSBUS (MB2) TRANSCEIVERS
ENGR. <i>[Signature]</i>		PROJECT	<i>[Signature]</i>
PROJ. ENGR. <i>[Signature]</i>		NEXT HIGHER ASSY.	
B-DD-DR01-CL	SIZE	CODE	NUMBER
SCALE NONE	D	BS	DR01-CL-02
SHEET 2	OF 3	DIST.	

REV. 1
D BS DR01-CL-02

THIS DRAWING AND SPECIFICATIONS, HEREIN, ARE THE PROPERTY OF DIGITAL EQUIPMENT CORPORATION AND SHALL NOT BE REPRODUCED OR COPIED OR USED IN WHOLE OR IN PART AS THE BASIS FOR THE MANUFACTURE OR SALE OF IT AS WITHOUT WRITTEN PERMISSION. COPYRIGHT © 1977, DIGITAL EQUIPMENT CORPORATION

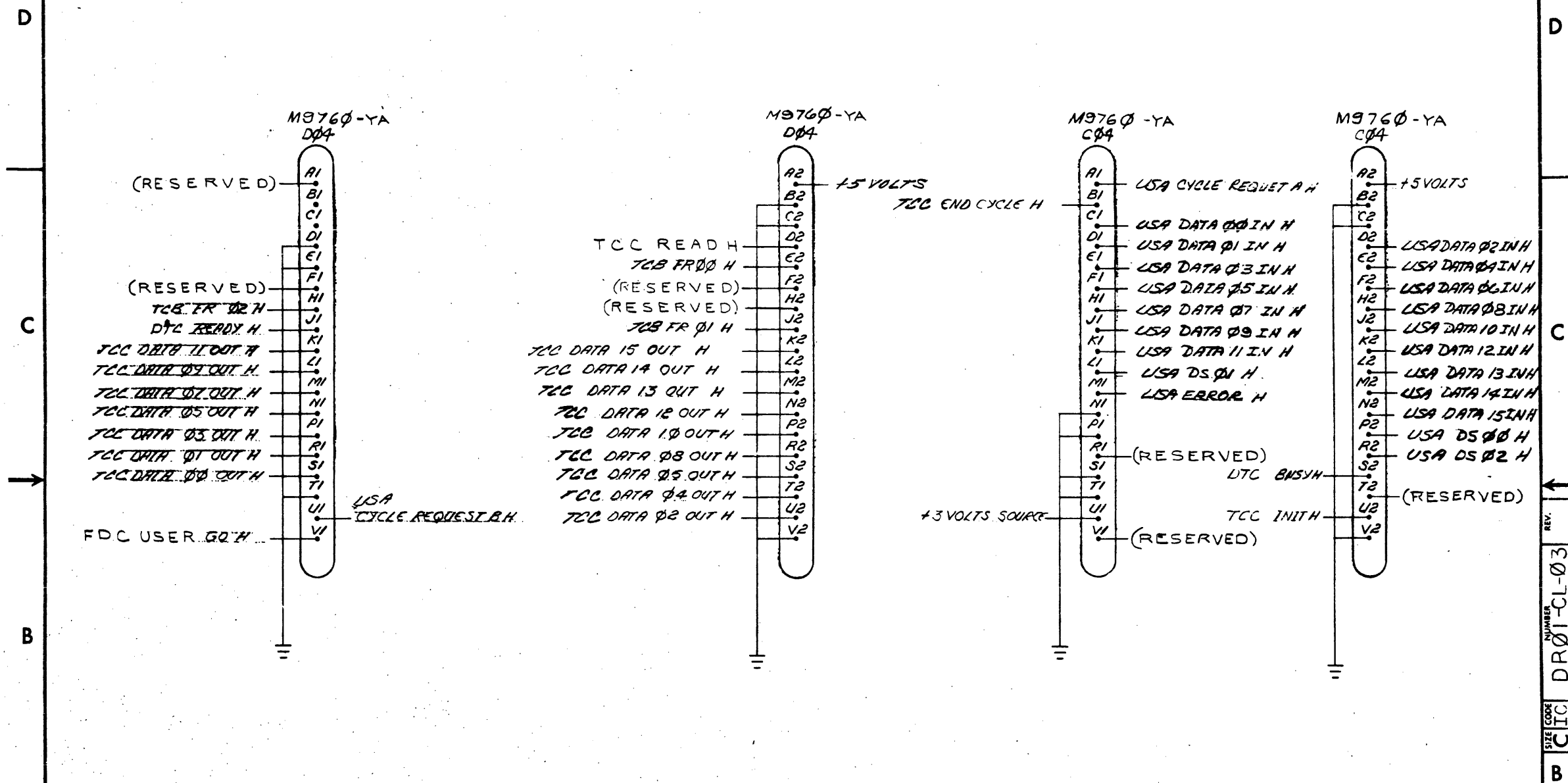


REV.	
CHANGE NO.	
REVISIONS	
CHK	

DRN. <i>R.P. Chan</i>	11 OCT 77	FIRST USED ON	DR01-CL	digital
CHK'D <i>[Signature]</i>		TITLE	MASSBUS (MB3) TRANSCIVERS	
ENG'D <i>[Signature]</i>		SCALE	NONE	
PROD. <i>[Signature]</i>		SIZE	D	BS
NEXT HIGHER ASSY.		NUMBER	DR01-CL-02	
B-00-DR01-CL		SCALE	NONE	
SHEET 3 OF 3		DIST.		

"THIS DRAWING AND SPECIFICATIONS, HEREIN, ARE THE PROPERTY OF DIGITAL EQUIPMENT CORPORATION AND SHALL NOT BE REPRODUCED OR COPIED OR USED IN WHOLE OR IN PART AS THE BASIS FOR THE MANUFACTURE OR SALE OF ITEMS WITHOUT WRITTEN PERMISSION. COPYRIGHT © 1977 DIGITAL EQUIPMENT CORPORATION"

NOTE:
RESERVED PINS CORRESPOND TO DR11-B SPECIFIC SIGNAL LINES.

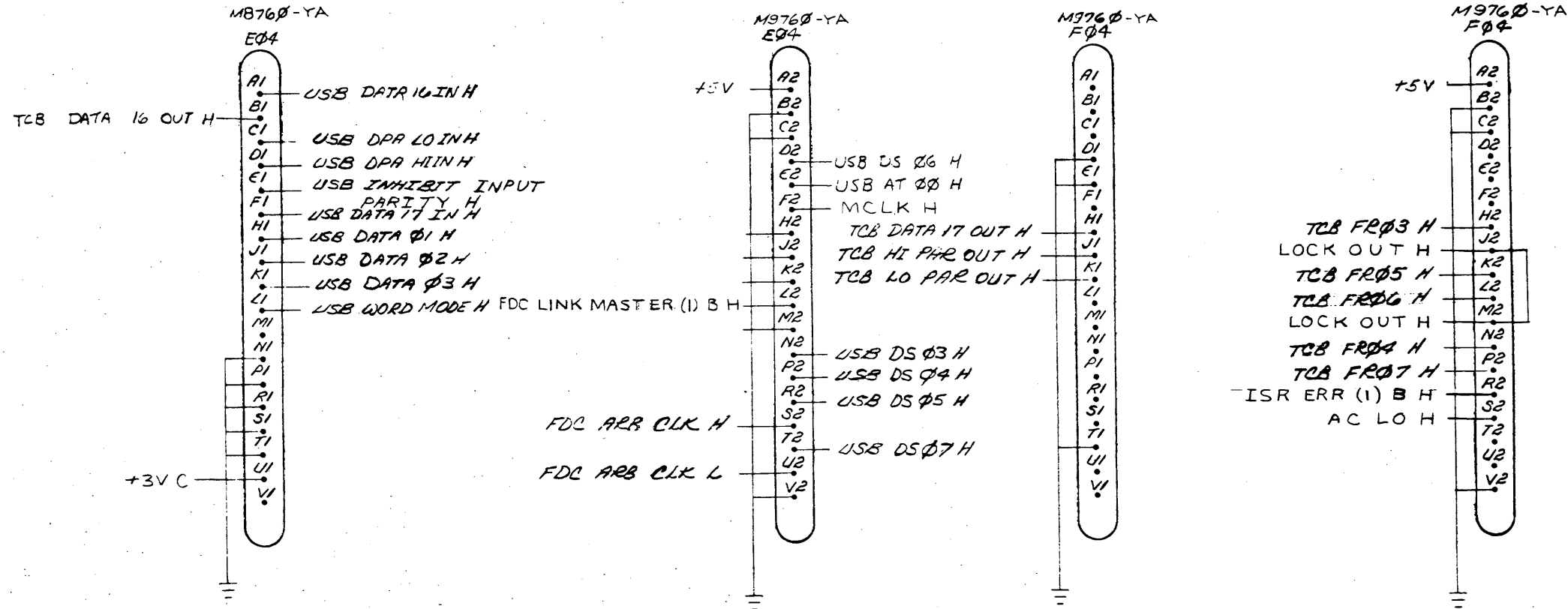


REV.	CHANGE NO.
CHK	

FIRST USED ON OPTION/MODEL		QTY.	DESCRIPTION	PART NO.	ITEM NO.
DR01-CL					
DIMENSIONAL TOLERANCE		PARTS LIST			
DIMENSIONS ARE IN MILLIMETERS IN INCHES UNLESS OTHERWISE SPECIFIED		DRN. <i>S.P. Olson</i>	DATE 11 OCT 77	digital	
		CHK'D <i>[Signature]</i>	DATE 30 SEP 77		
		<i>D.M. [Signature]</i>	DATE 20 SEP 77		
		<i>R. Yeager</i>	DATE 5 JAN 78		
THIRD ANGLE PROJECTION		REMOVE BURRS AND BREAK SHARP CORNERS SURFACE QUALITY ✓		TITLE	
MATERIAL		NEXT HIGHER ASSY.		STANDARD (USA) USER INTERFACE	
FINISH		B-DD-DR01-CL		SIZE CODE	NUMBER
		SCALE NONE		C IC	DR01-CL-03
		SHEET 1 OF 1		DIST.	REV.

REV. NUMBER DR01-CL-03

"THIS DRAWING AND SPECIFICATIONS, HEREIN, ARE THE PROPERTY OF DIGITAL EQUIPMENT CORPORATION AND SHALL NOT BE REPRODUCED OR COPIED OR USED IN WHOLE OR IN PART AS THE BASIS FOR THE MANUFACTURE OR SALE OF ITEMS WITHOUT WRITTEN PERMISSION. COPYRIGHT © 1977 DIGITAL EQUIPMENT CORPORATION"

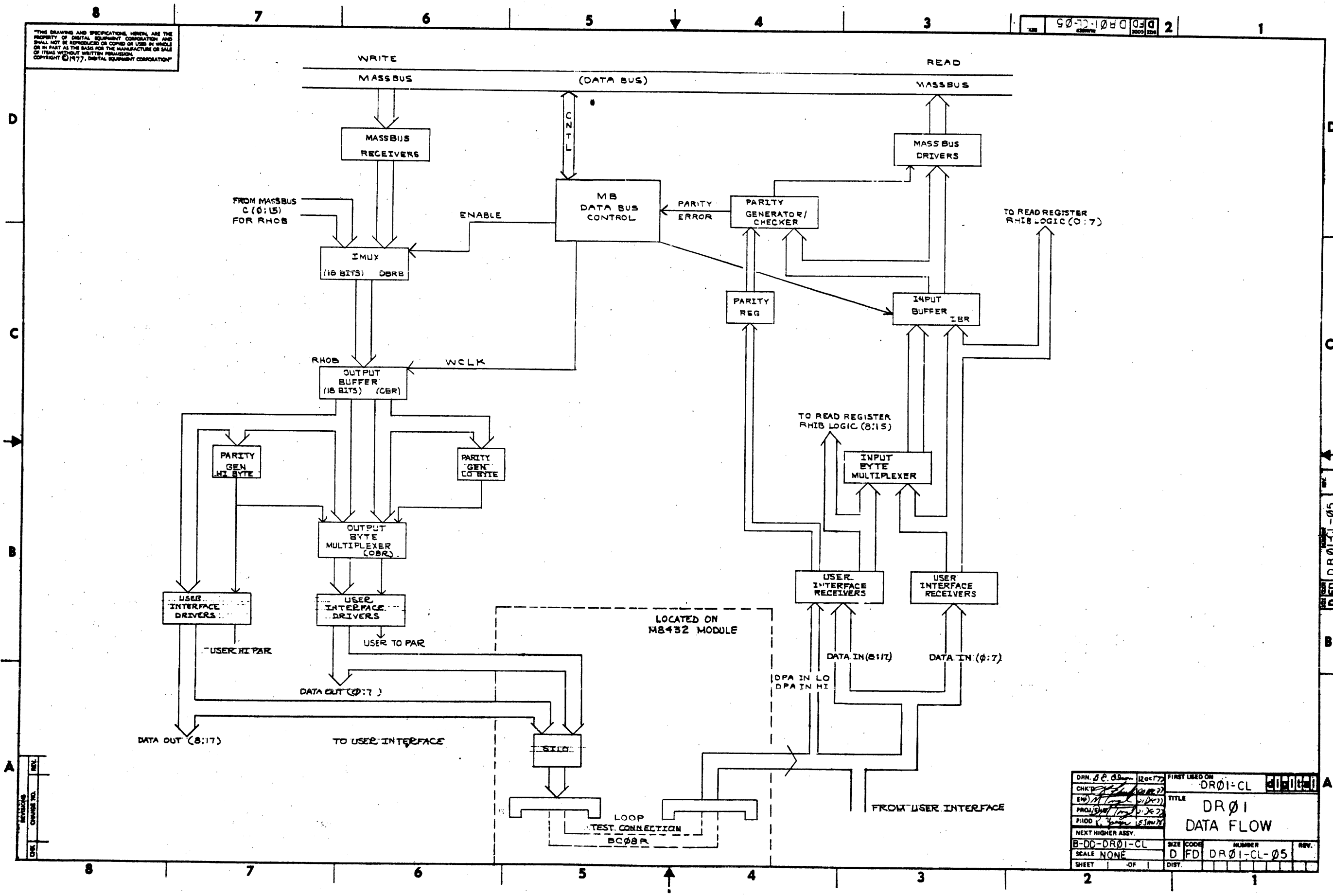


REV.	
CHANGE NO.	
CHK	

FIRST USED ON OPTION/MODEL		QTY.	DESCRIPTION	PART NO.	ITEM NO.
DRØ1-CL					
DIMENSIONAL TOLERANCE		PARTS LIST			
DIMENSIONS ARE MILLIMETERS INCHES UNLESS OTHERWISE SPECIFIED		DRN. <i>B. P. Olson</i>	DATE 11/03/77	digital	
MILLIMETERS INCHES ANGLES		CHK'D. <i>J. H. Hester</i>	DATE 08/08/77		
X,XX ±0.10	J,XX ±0.05	DATE 01/16/77			
X,X ±0.5	J,X ±0.02	DATE 01/16/77			
X ±2	J ±1	DATE 01/16/77		TITLE	
THIRD ANGLE PROJECTION		REMOVE BURRS AND BREAK SHARP CORNERS SURFACE QUALITY ✓		EXTENDED (USB) USER INTERFACE	
MATERIAL		NEXT HIGHER ASSY.		SIZE CODE	NUMBER
FINISH		B-DD-DRØ1-CL		CIC	DRØ1-CL-Ø4
		SCALE NONE			REV.
		SHEET 1 OF 1		DIST.	

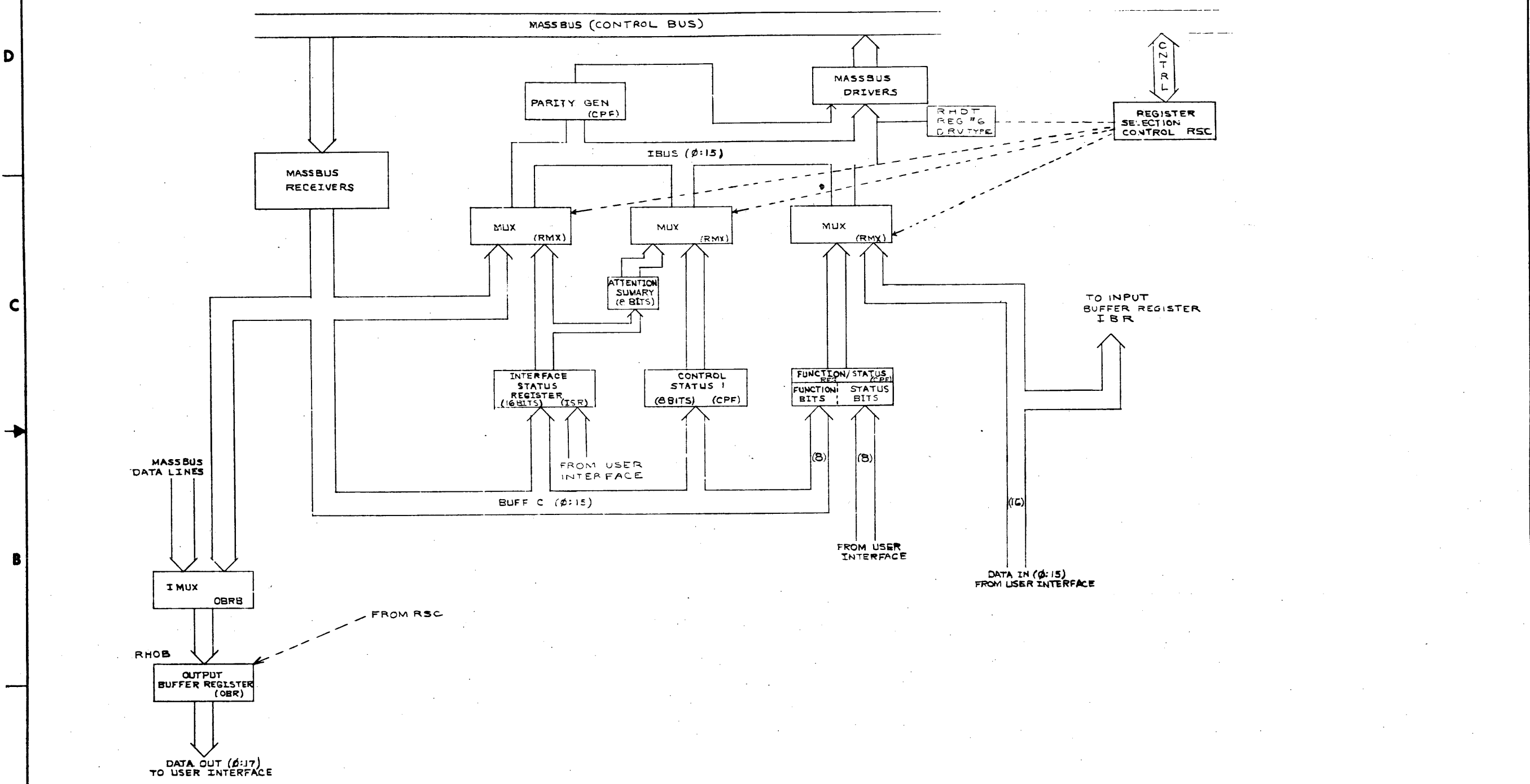
REV. NUMBER
CIC DRØ1-CL-Ø4

"THIS DRAWING AND SPECIFICATIONS HEREIN ARE THE PROPERTY OF DIGITAL EQUIPMENT CORPORATION AND SHALL NOT BE REPRODUCED OR COPIED OR USED IN WHOLE OR IN PART AS THE BASIS FOR THE MANUFACTURE OR SALE OF ITEMS WITHOUT WRITTEN PERMISSION. COPYRIGHT © 1977, DIGITAL EQUIPMENT CORPORATION"



DRN. 90-00-0000	REV. 03	FIRST USED ON	DR01-CL
CHK. [Signature]	DATE 12/17/77	TITLE	DR01 DATA FLOW
ENR. [Signature]	DATE 5/1/77	SIZE	D
PROJ. [Signature]	DATE 5/1/77	CODE	FD
PROD. [Signature]	DATE 12/17/77	NUMBER	DR01-CL-05
NEXT HIGHER ASSY.		SCALE	NONE
B-DD-DR01-CL		SHEET	1 OF 1
SCALE NONE		DIST.	

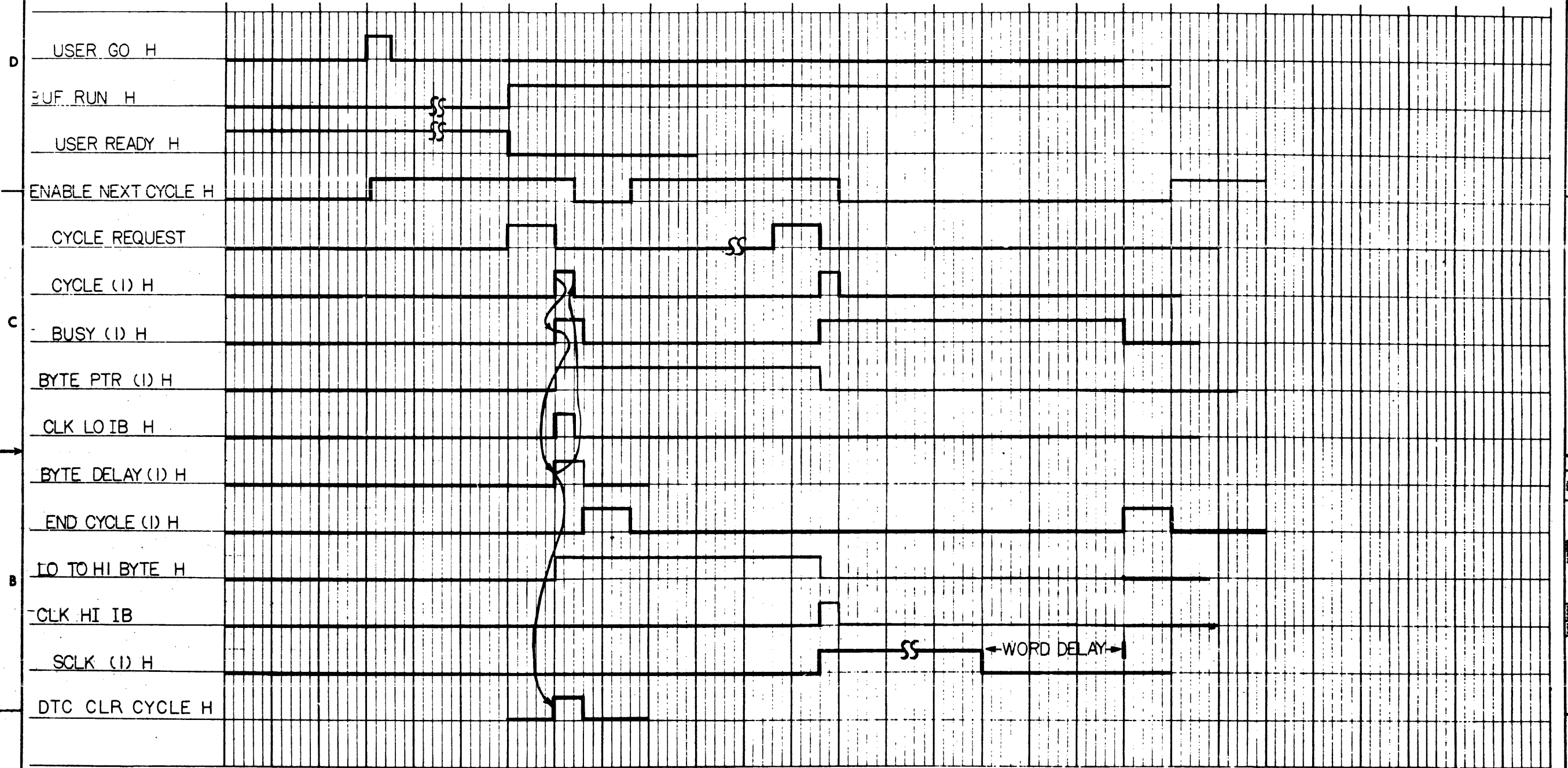
THIS DRAWING AND SPECIFICATIONS HEREIN ARE THE PROPERTY OF DIGITAL EQUIPMENT CORPORATION AND SHALL NOT BE REPRODUCED OR COPIED OR USED IN WHOLE OR IN PART AS THE BASIS FOR THE MANUFACTURE OR SALE OF ITEMS WITHOUT WRITTEN PERMISSION. COPYRIGHT © 1977 DIGITAL EQUIPMENT CORPORATION



REV.	
CHANGE NO.	
DATE	

DRN. <i>J.C. Jones</i>	ROC. <i>J.C. Jones</i>	FIRST USED ON	DR01-CL
CHK'D. <i>J.C. Jones</i>	DESIGNER	TITLE	DR01 REGISTER ORGANIZATION
ENG. <i>J.C. Jones</i>	DATE	SIZE	D FD
PROD. <i>J.C. Jones</i>	DATE	NUMBER	DR01-CL-06
NEXT HIGHER ASSY.		SCALE	NONE
B-00-DR01-CL		SHEET	2
SCALE		OF	1
SHEET		DIST.	

This drawing and specifications, herein, are the property of Digital Equipment Corporation and shall not be reproduced or copied in whole or in part in any form for the manufacturing or sale of items without written permission. 1977



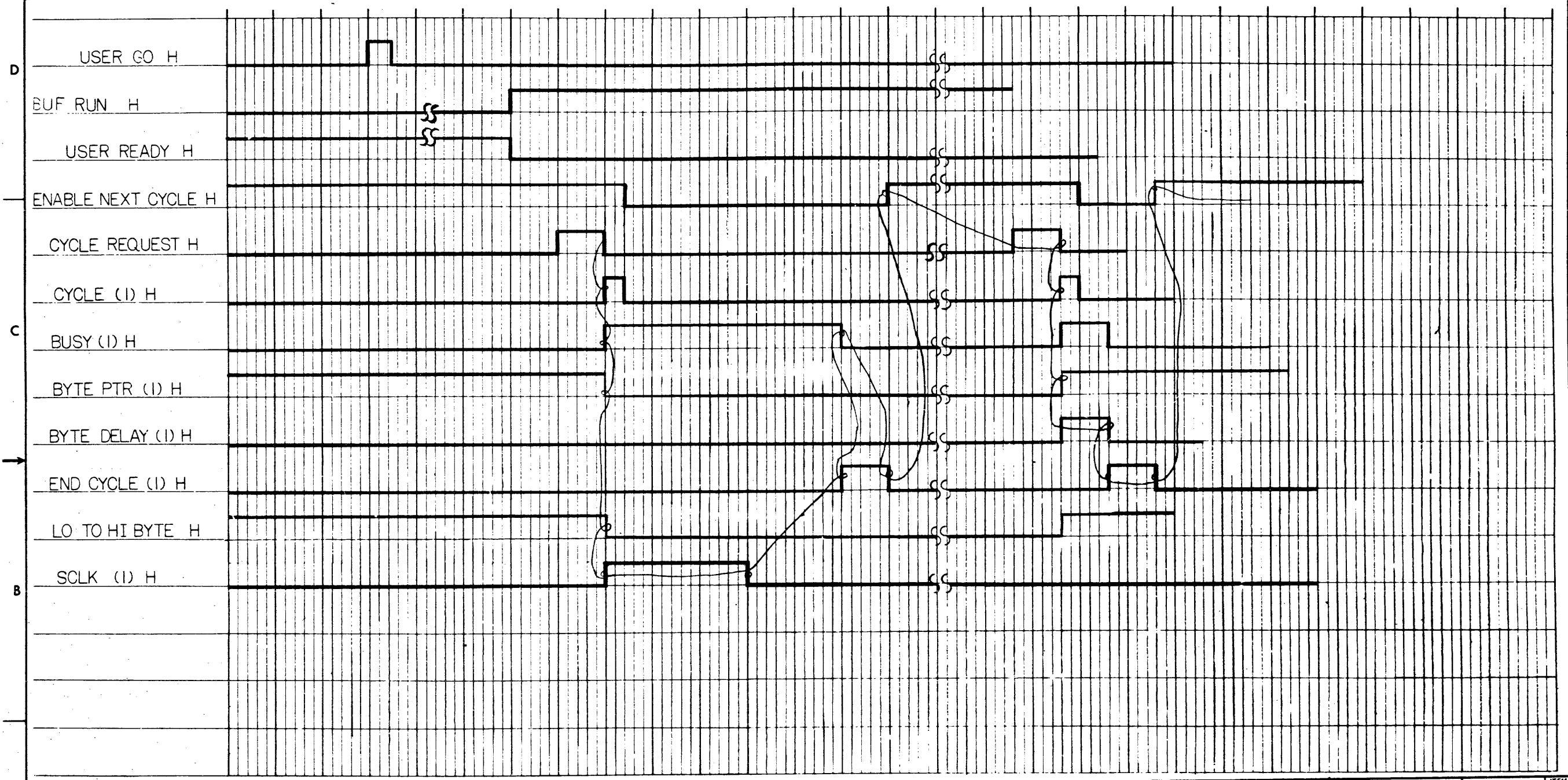
LO BYTE HI BYTE

REV.	
CHANGE NO.	
REV.	

FIRST USED ON OPTION/MODEL DRØ1-CL	QTY.	DESCRIPTION	PART NO.	ITEM NO.
PARTS LIST				
UNLESS OTHERWISE SPECIFIED DIMENSION IN INCHES TOLERANCES	DRAWN D. P. O'Brien	DATE 20 OCT 77	EQUIPMENT CORPORATION	
DECIMALS	ANGLES	DATE 10/27/77	TITLE	
.XXX - .000	± 0° 30'	DATE 11/2/77	BYTE MODE READ	
.XX - .00		DATE 11/2/77		
.X - .1		DATE 11/2/77		
REMOVE BURRS AND BREAK SHARP CORNERS SURFACE QUALITY		DATE 11/2/77		
MATERIAL	NEXT HIGHER ASSEMBLY	DATE 11/2/77		
FINISH	B-DD-DRØ1-CL	DATE 11/2/77		
	SCALE NONE	DATE 11/2/77		
	SHEET OF	DATE 11/2/77		
		DATE 11/2/77		

This drawing and specifications, herein, are the property of Digital Equipment Corporation and shall not be reproduced or copied in whole or in part in any form for the manufacture of any of items without written permission. 1977

DR01-CL-08 2

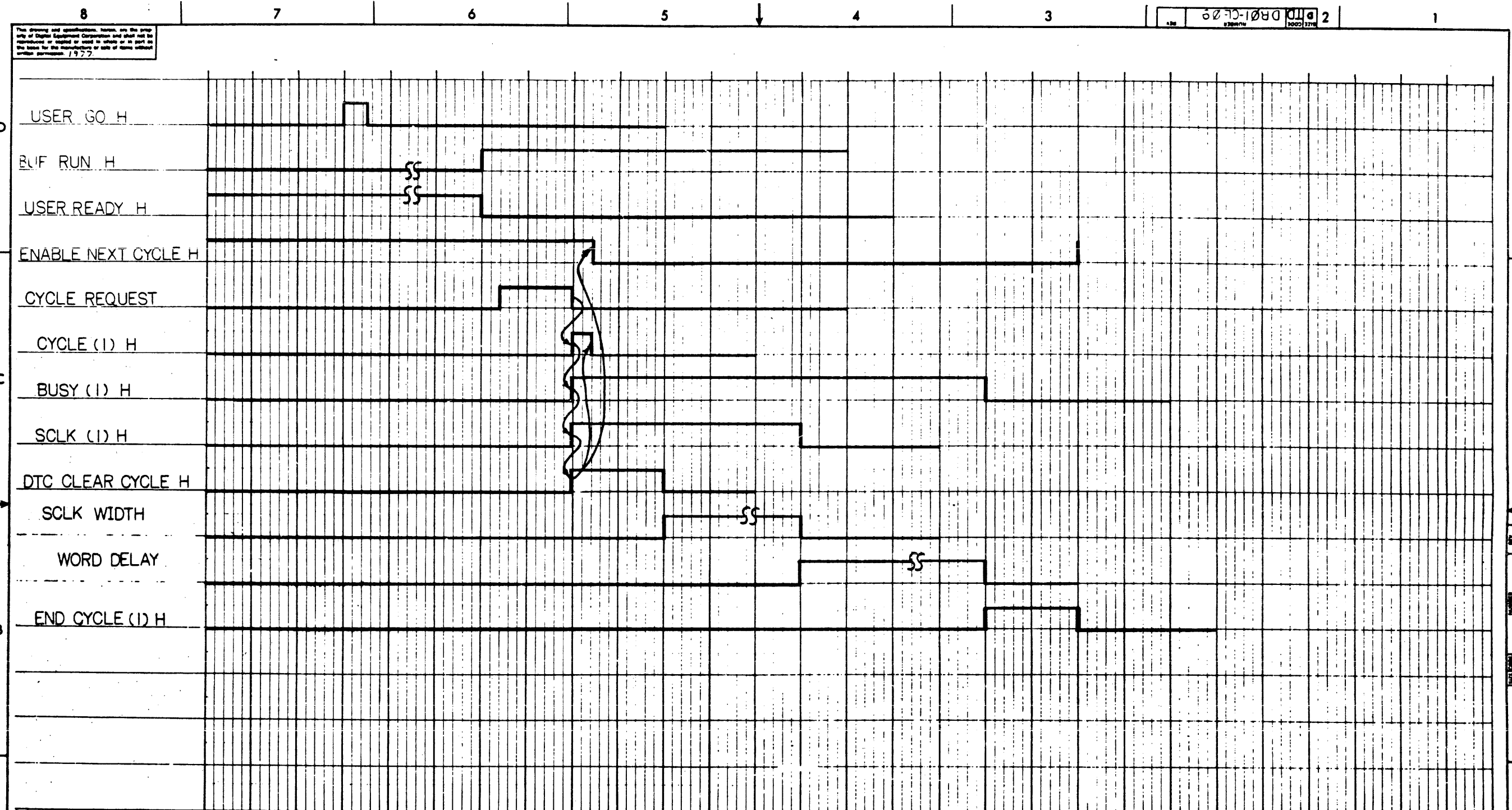


LO BYTE HI BYTE

REV
DITD DR01-CL-08

REV	
CHANGE NO	
CHK	

FIRST USED ON OPTION/MODEL DR01-CL	QTY.	DESCRIPTION	PART NO.	ITEM NO.
UNLESS OTHERWISE SPECIFIED DIMENSION IN INCHES TOLERANCES				
DECIMALS	ANGLES	TITLE		
XXX - 006	±0°30'	BYTE MODE WRITE		
XX - 02		NEXT HIGHER ASSY.		
X - 1		B-DD-DR01-CL		
REMOVE BURRS AND BREAK SH. RP CORNERS SURFACE QUALITY		SCALE	NONE	
MATERIAL		SHEET	OF	DIST
FINISH		SIZE CODE NUMBER REV.		
		DITD DR01-CL-08		



NOTES:
 1. DATA STROBED BY INTERFACE ↑ (READ).
 2. DATA ACCEPTED FROM MASSBUS (WRITE) ↑

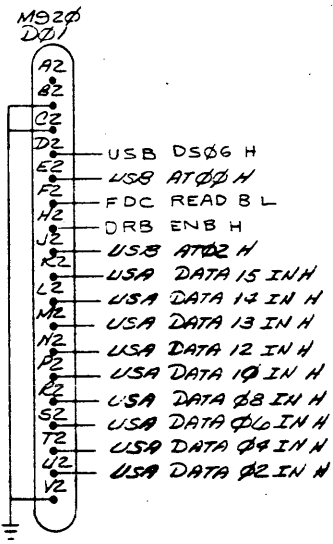
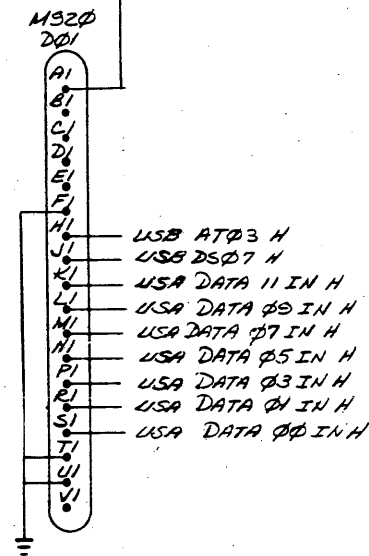
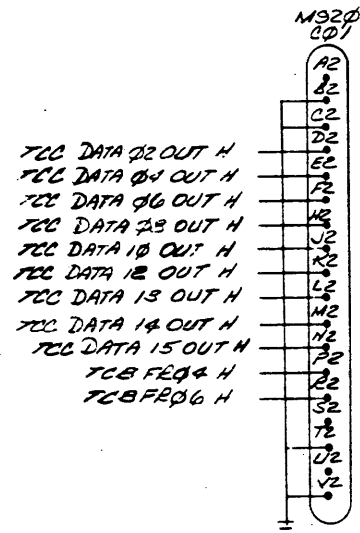
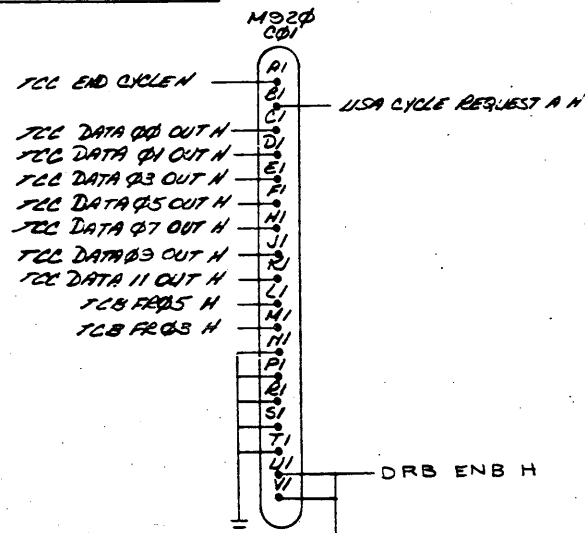
FIRST USED ON OPTION/MODEL DRØ1-CL		QTY.	DESCRIPTION	PART NO.	REV. NO.
UNLESS OTHERWISE SPECIFIED DIMENSION IN INCHES TOLERANCES		DRN <i>D.R. Olson</i>	DATE <i>FLOCT 77</i>	PARTS LIST	
DECIMALS	ANGLES	CHK'D <i>[Signature]</i>	DATE <i>8/1/77</i>	TITLE	
XXX - .008	16° 30'	DIT <i>[Signature]</i>	DATE <i>5/2/77</i>	WORD MODE	
XX - .02		DIT <i>[Signature]</i>	DATE <i>5/2/77</i>	DRØ1 TIMING	
X - .1		P. <i>[Signature]</i>	DATE <i>5/2/77</i>	MEMBER	
REMOVE BURRS AND BREAK SHARP CORNERS SURFACE QUALITY ✓		NEXT HIGHER ASSY.		SIZE CODE	
MATERIAL		B-DD-DRØ1-CL		DIT DRØ1-CL-Ø9	
FINISH		SCALE NONE		SHEET OF	
		SHEET OF		DIT.	

DRØ1-CL-Ø9

DRØ1-CL-Ø9

THIS DRAWING AND SPECIFICATIONS HEREIN ARE THE PROPERTY OF DIGITAL EQUIPMENT CORPORATION AND SHALL NOT BE REPRODUCED OR COPIED OR USED IN WHOLE OR IN PART AS THE BASIS FOR THE MANUFACTURE OR SALE OF ITEMS WITHOUT WRITTEN PERMISSION. COPYRIGHT © 1972 DIGITAL EQUIPMENT CORPORATION.

11-70-DRØ1-CL-11 2



11-70-DRØ1-CL-11

REV.	NO.	DATE	BY	CHK.

FIRST USED ON OPTION/MODEL DRØ1-CL	QTY.	DESCRIPTION	PART NO.	ITEM NO.
PARTS LIST				
UNLESS OTHERWISE SPECIFIED DIMENSION IN INCHES	DAN B.C. Olson	DATE 11 OCT 72	digital EQUIPMENT CORPORATION MAYFIELD MASSACHUSETTS	
TOLERANCES	CHK'D D.H. Taylor	DATE 2/2/73	TITLE LINK (LKA) CONNECTOR	
DECIMALS .006	ANGLES 50° 30'	D.M. Taylor	DATE 5/7/73	
.X .02		R. Young	DATE 5/7/73	
.Z -.1				
REMOVE BURRS AND BREAK SHARP CORNERS SURFACE QUALITY V	NEXT HIGHER ASSY.			
MATERIAL	B-DD-DCØ1-CL		SIZE CODE D I C	NUMBER DRØ1-CL-11
FINISH	SCALE		DIST.	REV.
	SHEET 1 OF 1			

8

7

6

5

4

3

2

1

DR01-CL-10

THIS DRAWING AND SPECIFICATIONS HEREIN ARE THE PROPERTY OF DIGITAL EQUIPMENT CORPORATION AND SHALL NOT BE REPRODUCED OR COPIED OR USED IN WHOLE OR IN PART AS THE BASIS FOR THE MANUFACTURE OR SALE OF ITEMS WITHOUT WRITTEN PERMISSION. COPYRIGHT © 1977 DIGITAL EQUIPMENT CORPORATION

RHCSI-REG #0

15	14	13	12	11	10	9	8	7	6	5	4	3	2	1	0
				DRY						F4	F3	F2	F1	F0	GO

RHIS-REG #1 ALWAYS = 1

15	14	13	12	11	10	9	8	7	6	5	4	3	2	1	0
ATA	ERR				USER ERR	ICPE	IDPE	IRDY			CYCLE	AT 3 USER	AT 2 USER	AT 1 USER	AT 0 USER

RHIB-REG #2

15	14	13	12	11	10	9	8	7	6	5	4	3	2	1	0
DI 15	DI 14	DI 13	DI 12	DI 11	DI 10	DI 9	DI 8	DI 7	DI 6	DI 5	DI 4	DI 3	DI 2	DI 1	DI 0

RHFS-REG #5

15	14	13	12	11	10	9	8	7	6	5	4	3	2	1	0
UF07	UF06	UF05	UF04	UF03	UF02	UF01	UF00	ST07	ST06	ST05	ST04	ST03	ST02	ST01	ST00

RHDT-REG #6

8	7	6	5	4	3	2	1	0
DT (ø)	DT (ø)	DT (ø)	DT (ø)	DT (ø)	DT (ø)	DT (1)	DT (ø)	DT (ø)

RHOB-REG #7

15	14	13	12	11	10	9	8	7	6	5	4	3	2	1	0
DO15	DO14	DO13	DO12	DO11	DO10	DO9	DO8	DO7	DO6	DO5	DO4	DO3	DO2	DO1	DO0

REVISIONS

REV.	CHANGE NO.

THIRD ANGLE PROJECTION		DRN. <i>[Signature]</i> 12.04.77	FIRST USED ON	DR01-CL
REMOVE BURRS AND BREAK SHARP CORNERS	DO NOT SCALE DWG	CHK'D <i>[Signature]</i>	TITLE	DR01-C STD REGISTERS DEFINITION
MATERIAL	B-DD-DR01-C	SCALE	SIZE	D
FINISH		SHEET	NUMBER	BD DR01-CL-10
			DIST.	

8

7

6

5

4

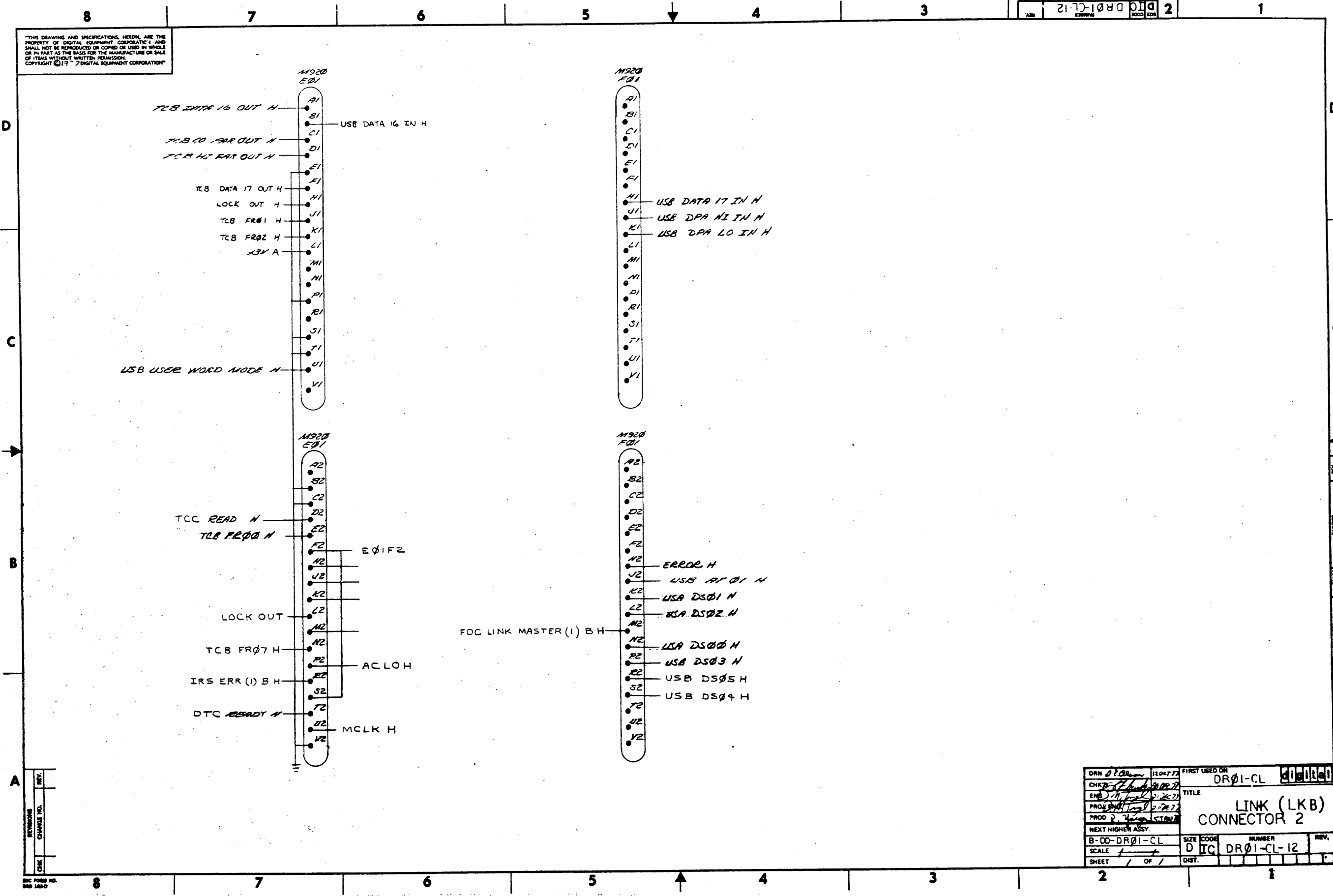
3

2

1

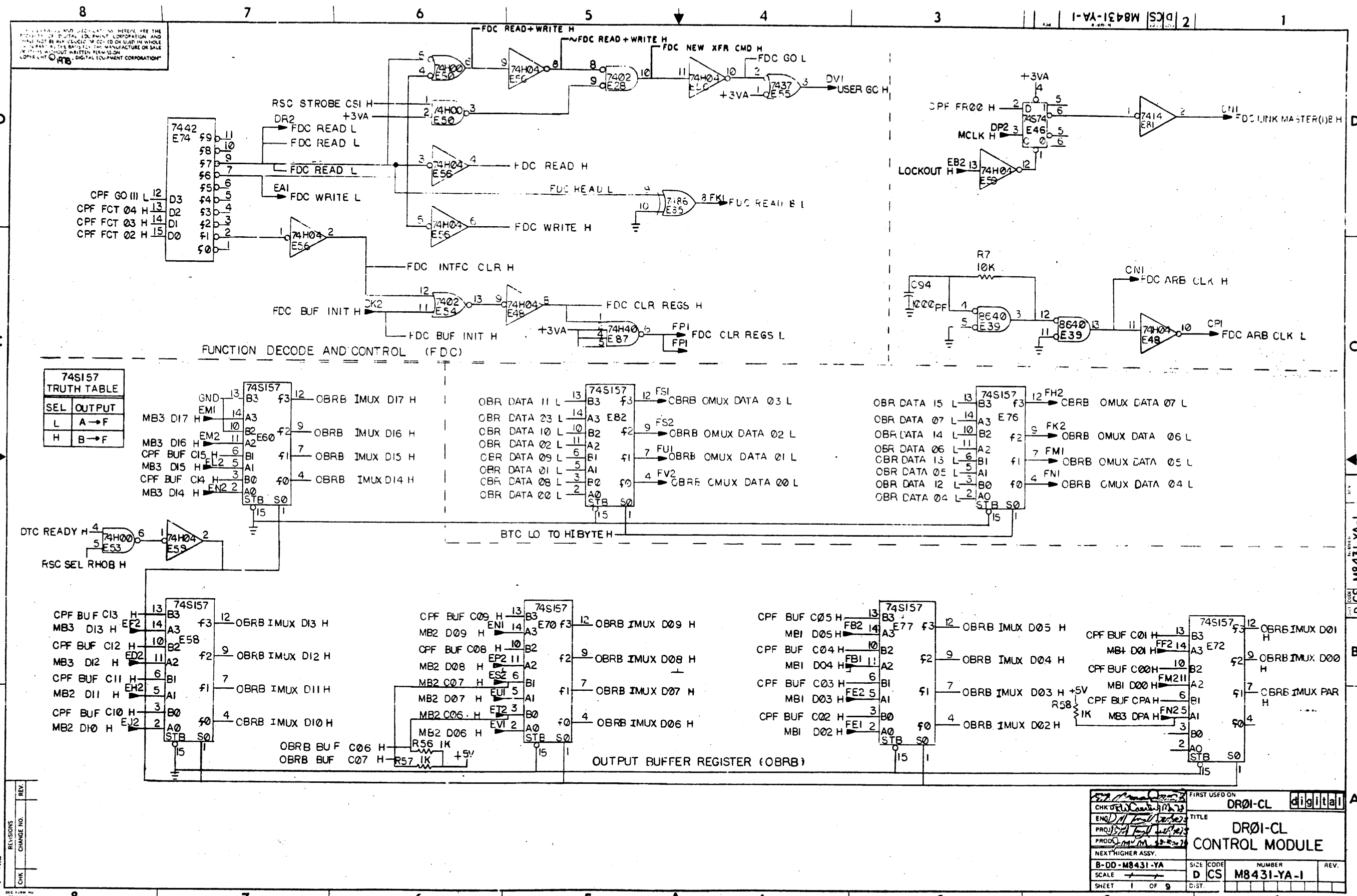
DR01-CL-10

THIS DRAWING AND SPECIFICATIONS HEREIN ARE THE PROPERTY OF DIGITAL EQUIPMENT CORPORATION AND SHALL NOT BE REPRODUCED OR COPIED OR USED IN WHOLE OR IN PART AS THE BASIS FOR THE MANUFACTURE OR SALE OF ITEMS WITHOUT WRITTEN PERMISSION. COPYRIGHT © 1977 DIGITAL EQUIPMENT CORPORATION



REV.	
CHANGE NO.	
DATE	

DRN <i>D. P. Brown</i>	11/04/77	FIRST USED ON	DRØ1-CL
CHK'D <i>P. Smith</i>	11/04/77	TITLE	LINK (LKB) CONNECTOR 2
ENG <i>M. Jones</i>	11/04/77	SIZE	D IC
PROD <i>D. Long</i>	11/04/77	NUMBER	DRØ1-CL-12
PROD <i>D. Long</i>	11/04/77	REV.	
NEXT HIGHER ASSY.		SCALE	1 OF 1
B-DD-DRØ1-CL	SCALE	DIST.	
SHEET	OF		



74S157 TRUTH TABLE

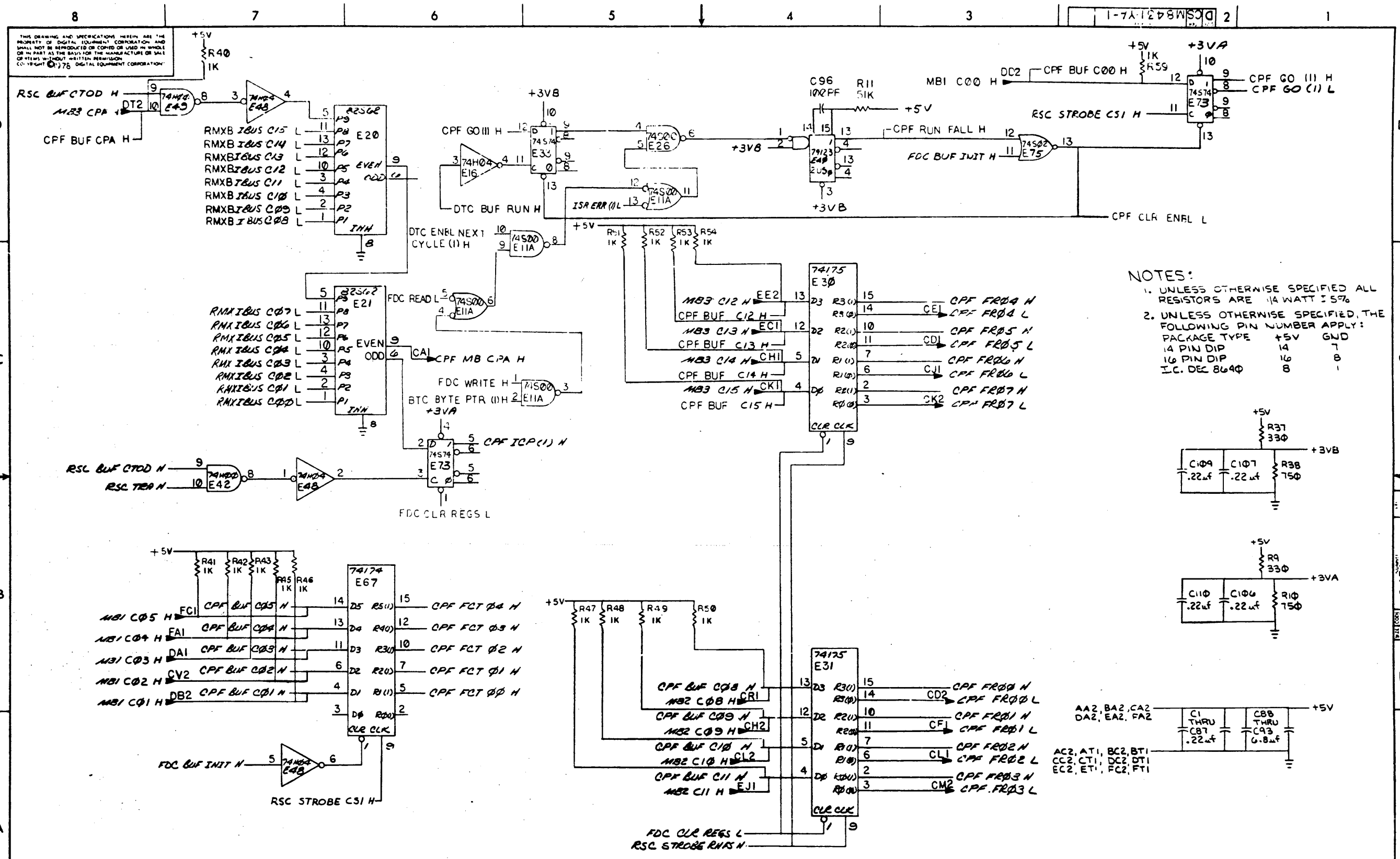
SEL	OUTPUT
L	A → F
H	B → F

REVISIONS

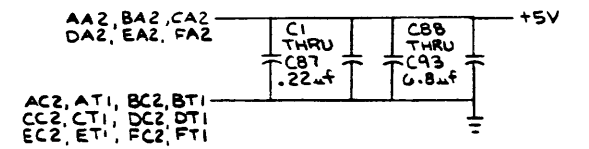
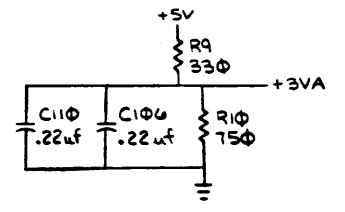
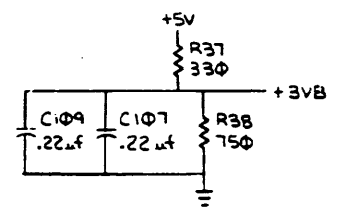
REV.	CHANGE NO.

FIRST USED ON

CHK'D BY	DR01-CL	digital
ENG'D BY	TITLE	
PROJ. NO.	DR01-CL	
PROD. NO.	CONTROL MODULE	
NEXT HIGHER ASSY.		
B-DD-M8431-YA	SIZE	NUMBER
SCALE	D CS	M8431-YA-1
SHEET 1 OF 9	DIST.	



- NOTES:
- UNLESS OTHERWISE SPECIFIED ALL RESISTORS ARE 1/4 WATT 5%
 - UNLESS OTHERWISE SPECIFIED, THE FOLLOWING PIN NUMBER APPLY:
 PACKAGE TYPE +5V GND
 14 PIN DIP 14 7
 16 PIN DIP 16 8
 I.C. DEC 8640 8 1

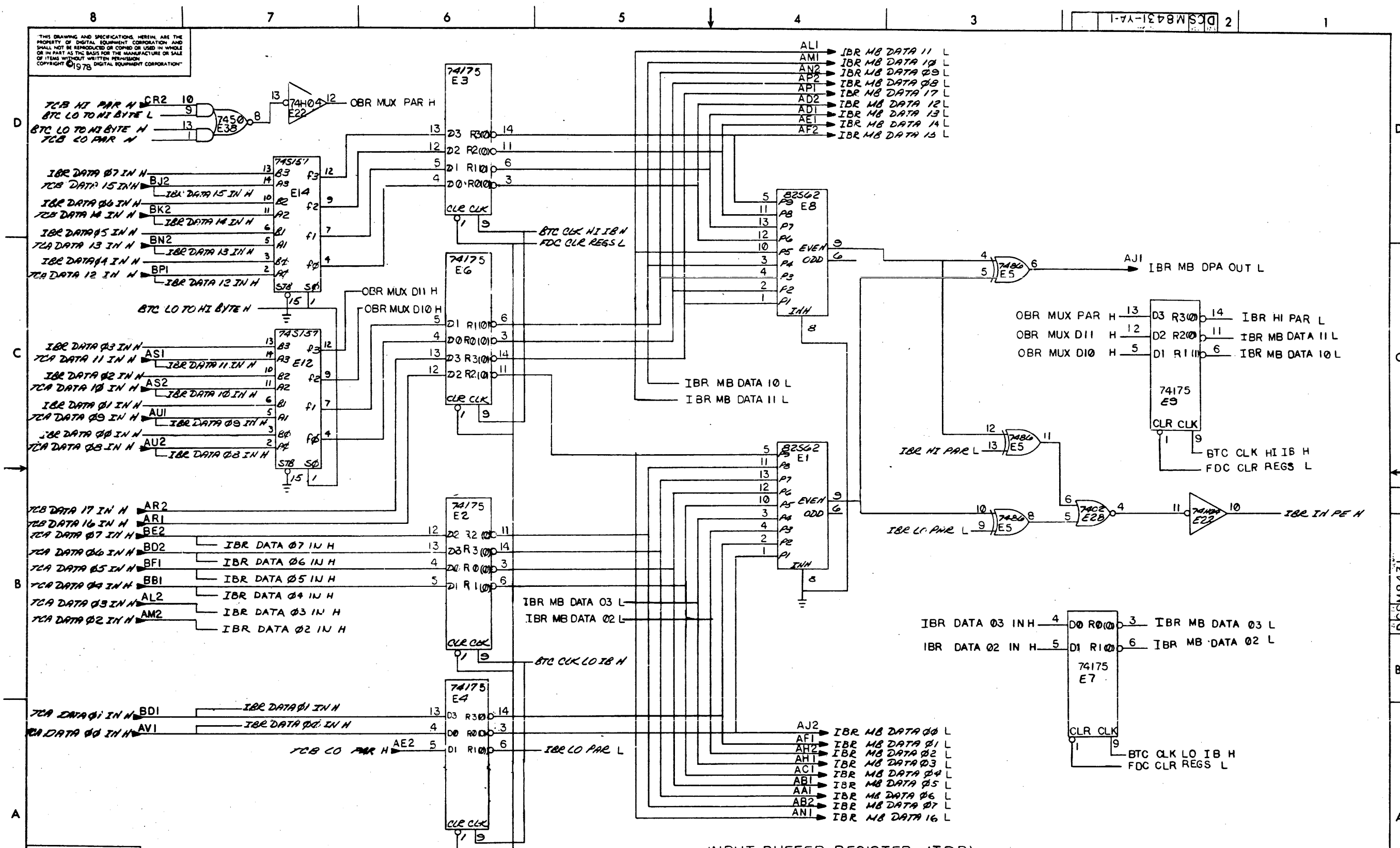


CONTROL PARITY AND FUNCTION REGS. (CPF)

REVISIONS		
CHK	CHANGE NO	REV

TITLE	DR01-CL CONTROL MODULE	SIZE CODE	NUMBER	REV.
SCALE	SHEET 2 OF 9	DIST	DCS M8431-YA-1	

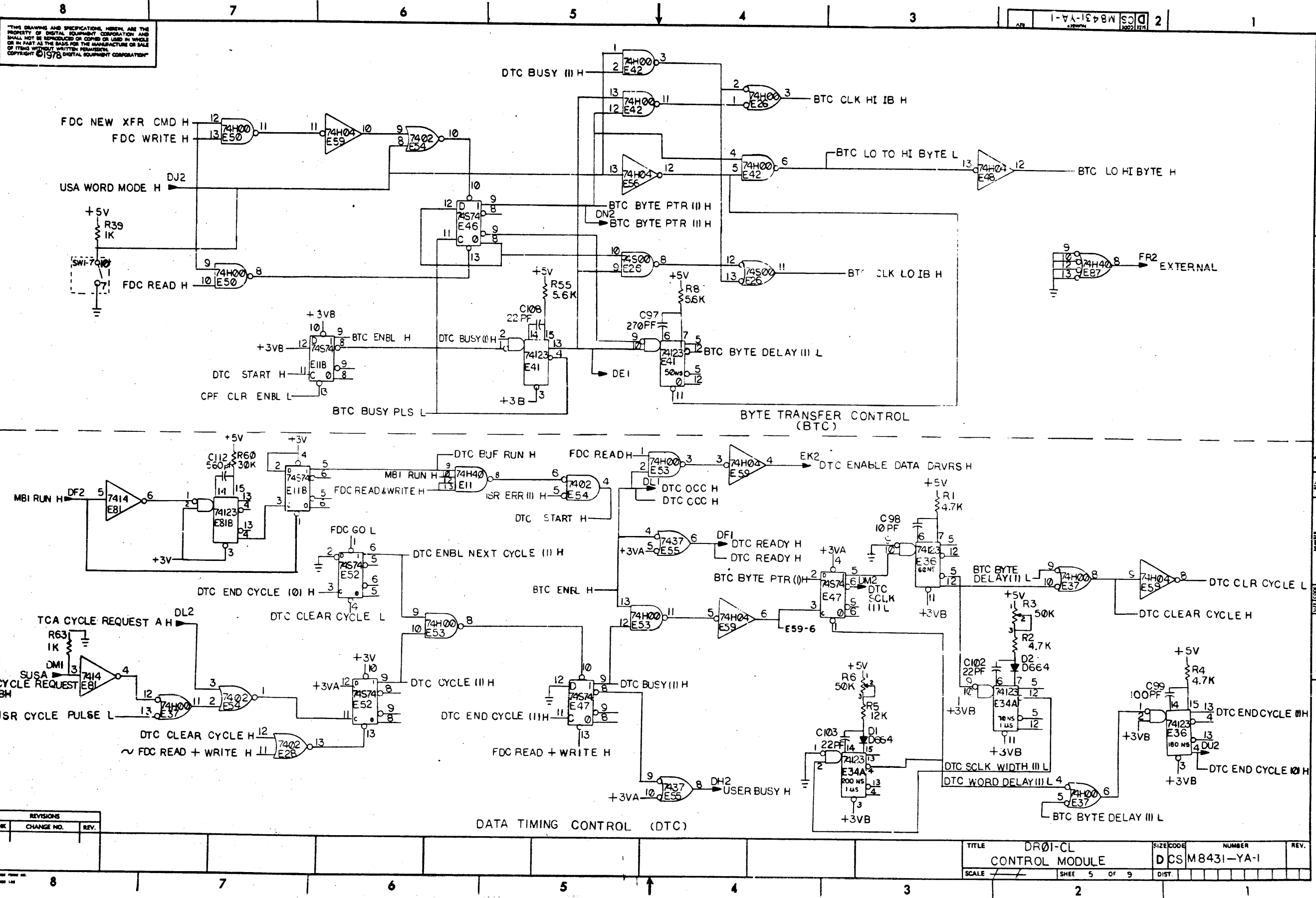
THIS DRAWING AND SPECIFICATIONS HEREIN ARE THE PROPERTY OF DIGITAL EQUIPMENT CORPORATION AND SHALL NOT BE REPRODUCED OR COPIED OR USED IN WHOLE OR IN PART AS THE BASIS FOR THE MANUFACTURE OR SALE OF ITEMS WITHOUT WRITTEN PERMISSION. COPYRIGHT © 1978 DIGITAL EQUIPMENT CORPORATION.



INPUT BUFFER REGISTER (IBR)

REVISIONS		
CHK	CHANGE NO	REV

TITLE	DR01-CL CONTROL MODULE	SIZE CODE	NUMBER	REV.
SCALE	+	SHEET	3 OF 9	DIST.

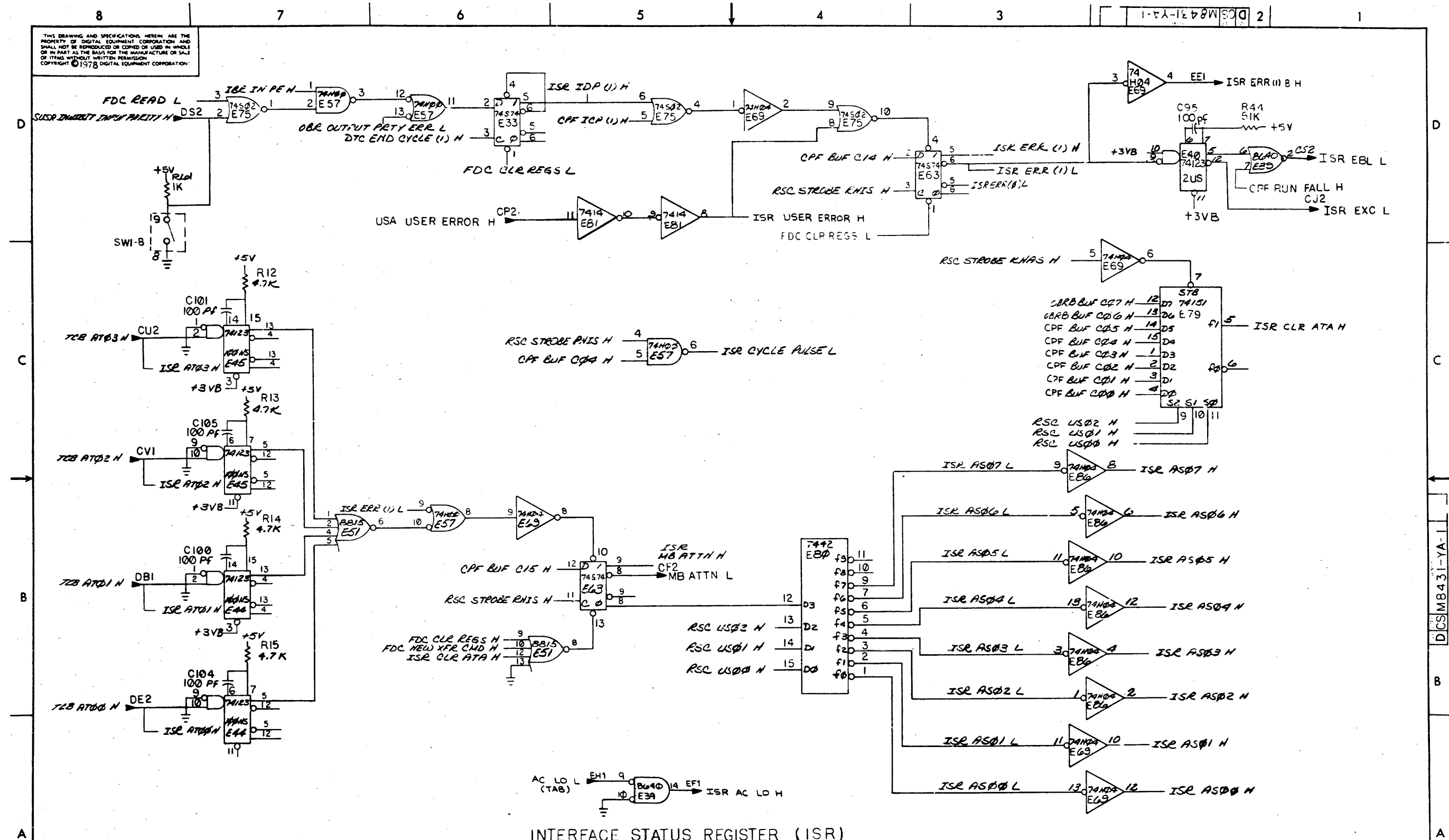


THIS DRAWING AND SPECIFICATIONS HEREIN ARE THE PROPERTY OF DIGITAL EQUIPMENT CORPORATION AND SHALL NOT BE REPRODUCED OR COPIED OR USED IN WHOLE OR IN PART AS THE BASIS FOR THE MANUFACTURE OR SALE OF ITEMS WITHOUT WRITTEN PERMISSION. COPYRIGHT © 1978 DIGITAL EQUIPMENT CORPORATION

REVISIONS		
CHK	CHANGE NO.	REV.

TITLE	DR01-CL CONTROL MODULE	SIZE/SCALE	NUMBER	REV.
SCALE	7/7	SHEET	5 OF 9	DIST.
DCS M8431-YA-1				

THIS DRAWING AND SPECIFICATIONS HEREIN ARE THE PROPERTY OF DIGITAL EQUIPMENT CORPORATION AND SHALL NOT BE REPRODUCED OR COPIED OR USED IN WHOLE OR IN PART AS THE BASIS FOR THE MANUFACTURE OR SALE OF ITEMS WITHOUT WRITTEN PERMISSION. COPYRIGHT © 1978 DIGITAL EQUIPMENT CORPORATION.

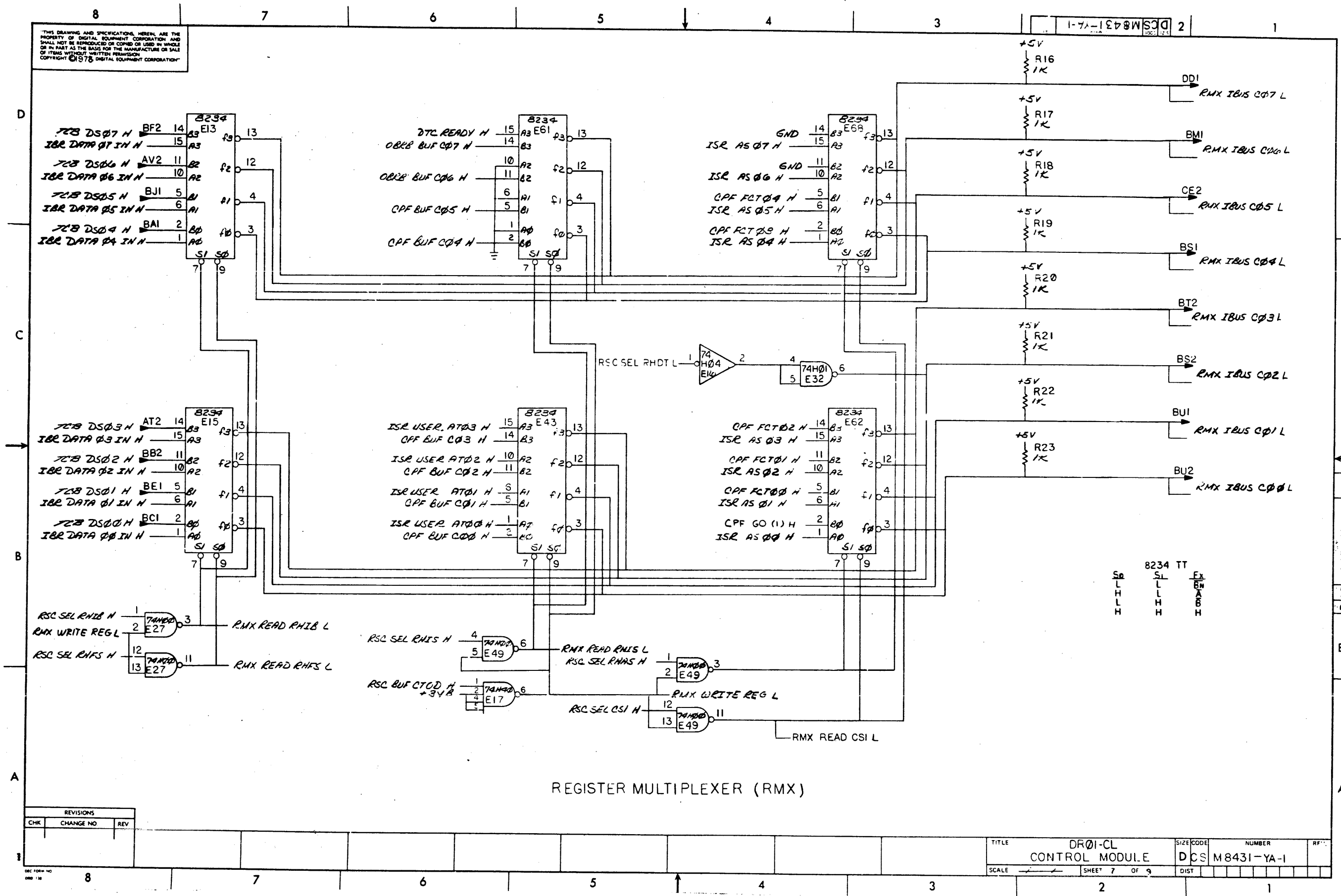


REVISIONS		
CHK	CHANGE NO.	REV

TITLE	DRO1-CL CONTROL MODULE	SIZE CODE	NUMBER	REV.
SCALE	SHEET 6 OF 9	DIST.	D CS M8431-YA-1	

THIS DRAWING AND SPECIFICATIONS HEREIN ARE THE PROPERTY OF DIGITAL EQUIPMENT CORPORATION AND SHALL NOT BE REPRODUCED OR COPIED OR USED IN WHOLE OR IN PART AS THE BASIS FOR THE MANUFACTURE OR SALE OF ITEMS WITHOUT WRITTEN PERMISSION. COPYRIGHT © 1978 DIGITAL EQUIPMENT CORPORATION.

DCS M8431-YA-1



REGISTER MULTIPLEXER (RMX)

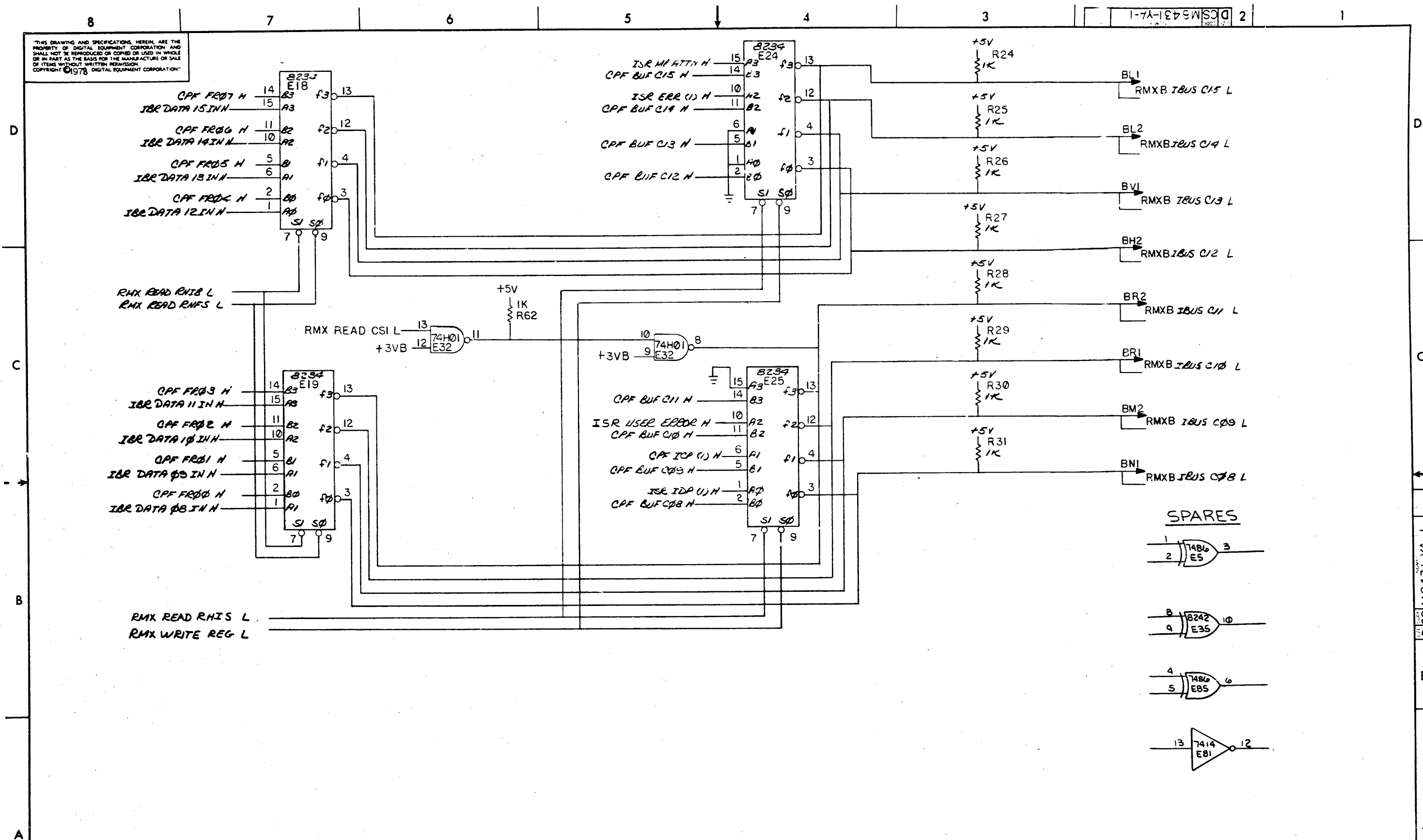
8234 TT
 SI L H
 SI L H
 SI L H

REVISIONS		
CHK	CHANGE NO	REV

TITLE	DR01-CL CONTROL MODULE	SIZE CODE	NUMBER	REV
SCALE	SHEET 7 OF 9	DIST		

DEC FORM NO 080 118

THIS DRAWING AND SPECIFICATIONS HEREIN ARE THE PROPERTY OF DIGITAL EQUIPMENT CORPORATION AND SHALL NOT BE REPRODUCED OR COPIED OR USED IN WHOLE OR IN PART AS THE BASIS FOR THE MANUFACTURE OR SALE OF ITEMS WITHOUT WRITTEN PERMISSION. COPYRIGHT © 1978 DIGITAL EQUIPMENT CORPORATION.



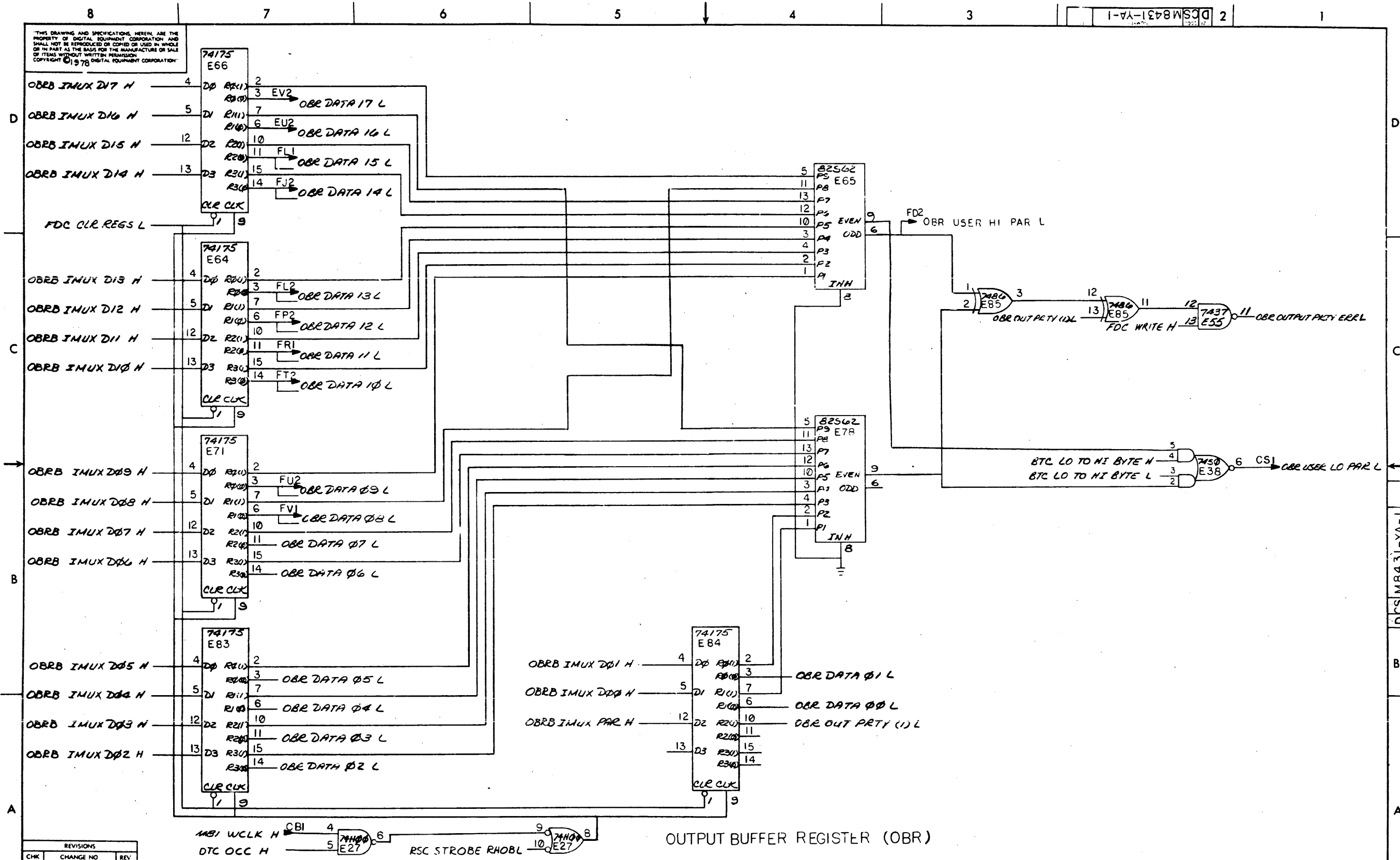
REGISTER MULTIPLEXER (RMXB)

REVISIONS		
CHK	CHANGE NO.	REV

TITLE	DR01-CL CONTROL MODULE	SIZE/CODE	NUMBER	REV.
SCALE	SHEET 8 OF 9	DIST.	DCS M8431-YA-1	

DCS M8431-YA-1

THIS DRAWING AND SPECIFICATIONS, HEREIN, ARE THE PROPERTY OF DIGITAL EQUIPMENT CORPORATION AND SHALL NOT BE REPRODUCED OR COPIED OR USED IN WHOLE OR IN PART AS THE BASIS FOR THE MANUFACTURE OR SALE OF ITEMS WITHOUT WRITTEN PERMISSION. COPYRIGHT © 1978 DIGITAL EQUIPMENT CORPORATION.



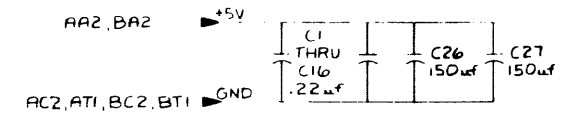
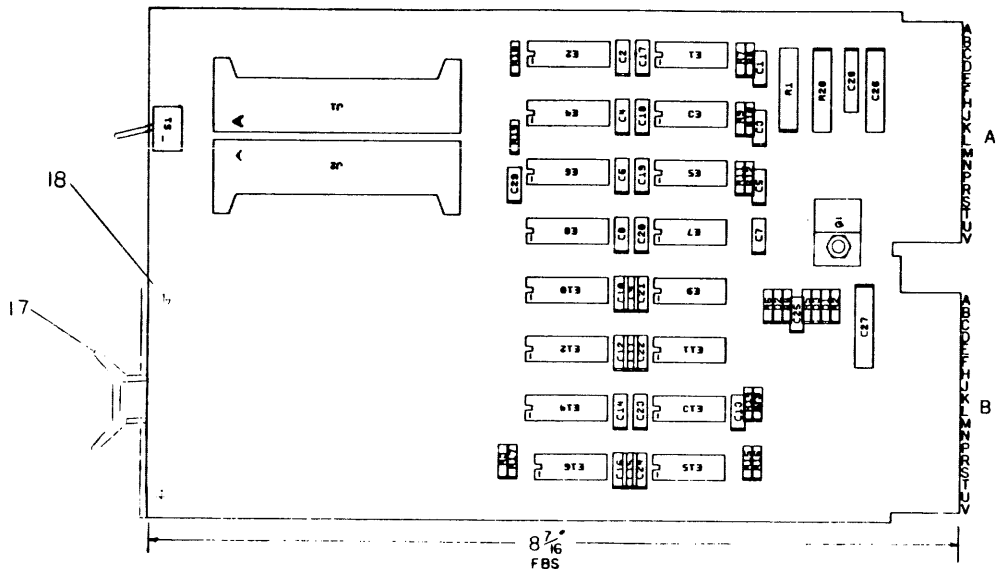
OUTPUT BUFFER REGISTER (OBR)

REVISIONS		
CHK	CHANGE NO	REV

TITLE	DR01-CL CONTROL MODULE	SIZE CODE	D CS	NUMBER	M8431-YA-1	REV.	
SCALE	NONE	SHEET	9	OF	9	DIST	

This drawing and specifications herein are the property of Digital Equipment Corporation and shall not be reproduced or used in whole or in part for any other purpose without the written permission of Digital Equipment Corporation. COPYRIGHT © 1973 DIGITAL EQUIP CORP.

NOTES:



OFF SHEET PARTS LIST EXISTS
SEE K-PL-M5903-0-DBP

IC TYPE	13	7	14
DEC 75107B	13	7	14
DEC 75108B	13	7	14
DEC 75113	—	8	16
IC TYPE	-5V	GND	+5V

GND AND 5V ARE USUALLY PIN 7 AND 14 RESPECTIVELY. EXCEPTIONS ARE STATED ABOVE.

IC PIN LOCATIONS

QTY	REF DESIGNATION	DESCRIPTION	PART NO	ITEM NO.
	RH11	DRIVE TRANSCEIVER		

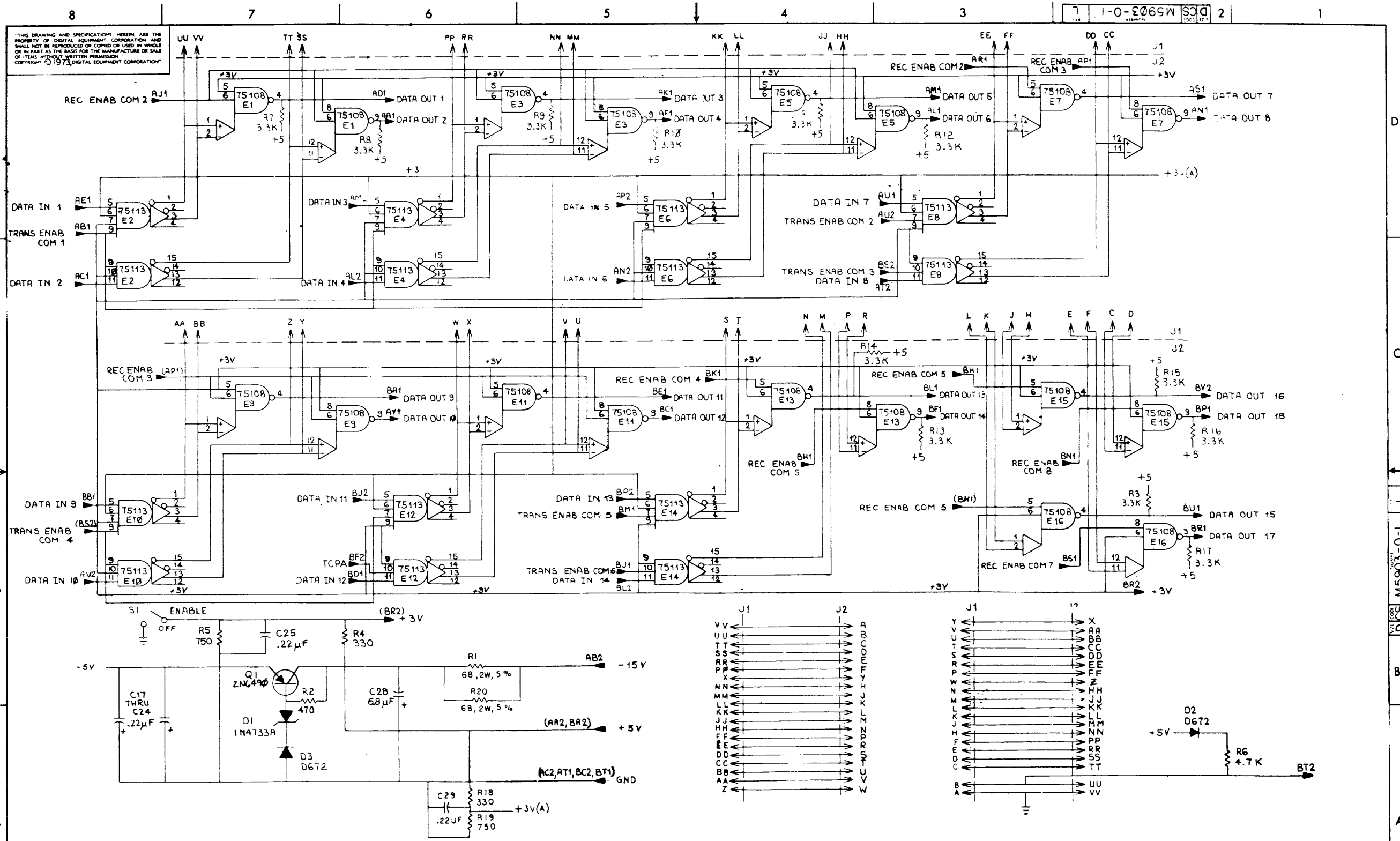
REV	DATE	DESCRIPTION
1	8/3/73	DRIVE TRANSCEIVER
2	11/2/74	REVISED

DESIGNER	DATE	DRW	DATE
R. Counter	8/3/73		
	11/2/74		

SEMICONDUCTOR CONVERSION CHART
DC NO. EIA NO. DEC NO. EIA NO.
D672 IN 3653
IN 4733A NONE

DICS M5903-0-1

A

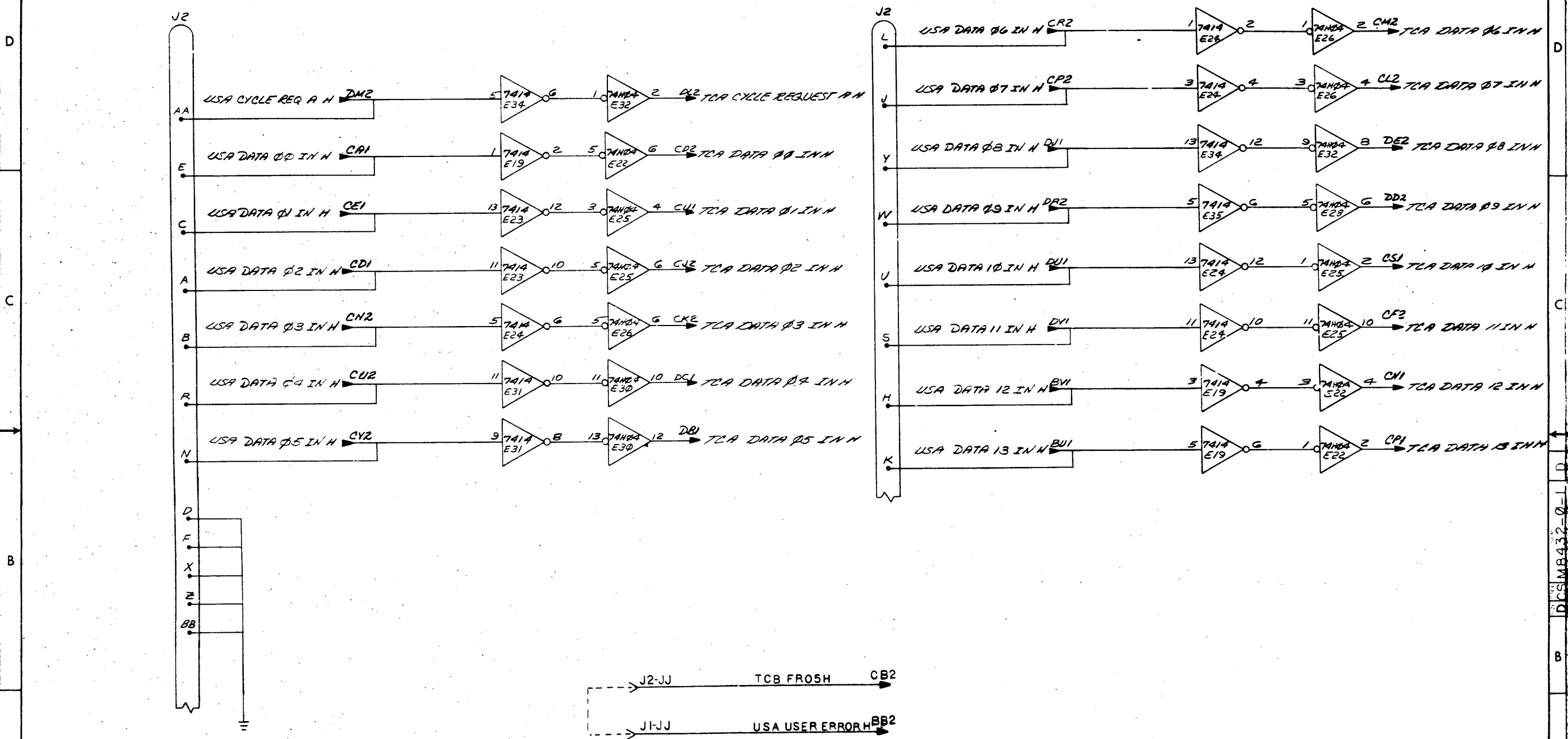


REVISIONS			TITLE		SIZE/CODE		NUMBER		REV.	
CHK	CHANGE NO	REV	DRIVE TRANSCEIVER		DCS		M5903-0-1		L	
			SCALE	NONE	SHEET	2	OF	2	DIST	

DCS M5903-0-1 L

THIS DRAWING AND SPECIFICATIONS HEREIN ARE THE PROPERTY OF DIGITAL EQUIPMENT CORPORATION AND SHALL NOT BE REPRODUCED OR COPIED OR USED IN WHOLE OR IN PART AS THE BASIS FOR THE MANUFACTURE OR SALE OF ITEMS WITHOUT WRITTEN PERMISSION. COPYRIGHT © 1975 DIGITAL EQUIPMENT CORPORATION.

DCSMB432-0-1-D 2

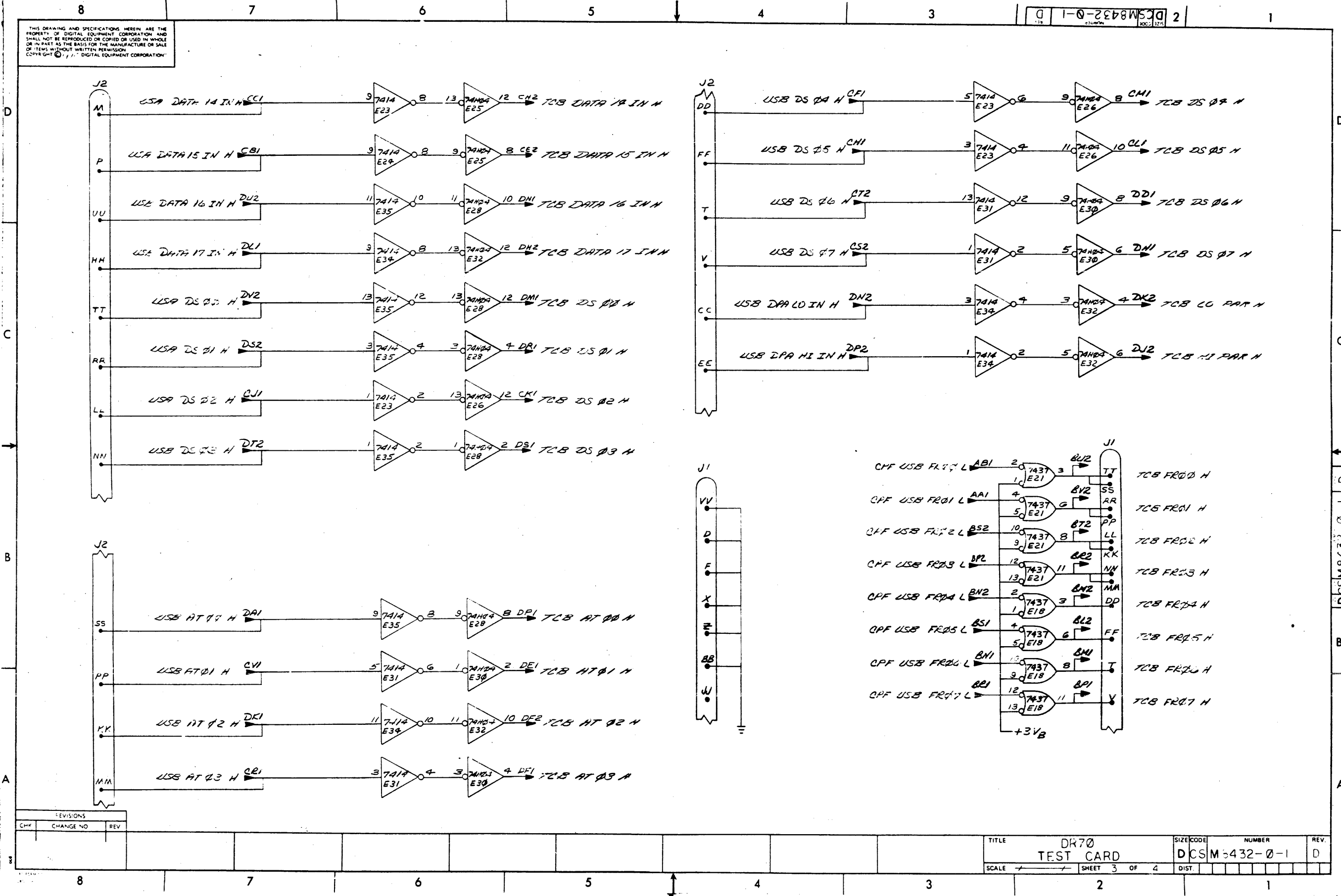


REVISIONS		
CHK	CHANGE NO	REV

TITLE	DR70 TEST CARD	SIZE CODE	NUMBER	REV.
SCALE	SHEET 2 OF 4	DIST.	DCSMB432-0-1	D

THIS DRAWING AND SPECIFICATIONS HEREIN ARE THE PROPERTY OF DIGITAL EQUIPMENT CORPORATION AND SHALL NOT BE REPRODUCED OR COPIED OR USED IN WHOLE OR IN PART AS THE BASIS FOR THE MANUFACTURE OR SALE OF ITEMS WITHOUT WRITTEN PERMISSION. COPYRIGHT © 1971 DIGITAL EQUIPMENT CORPORATION

DCSM8432-0-1 2

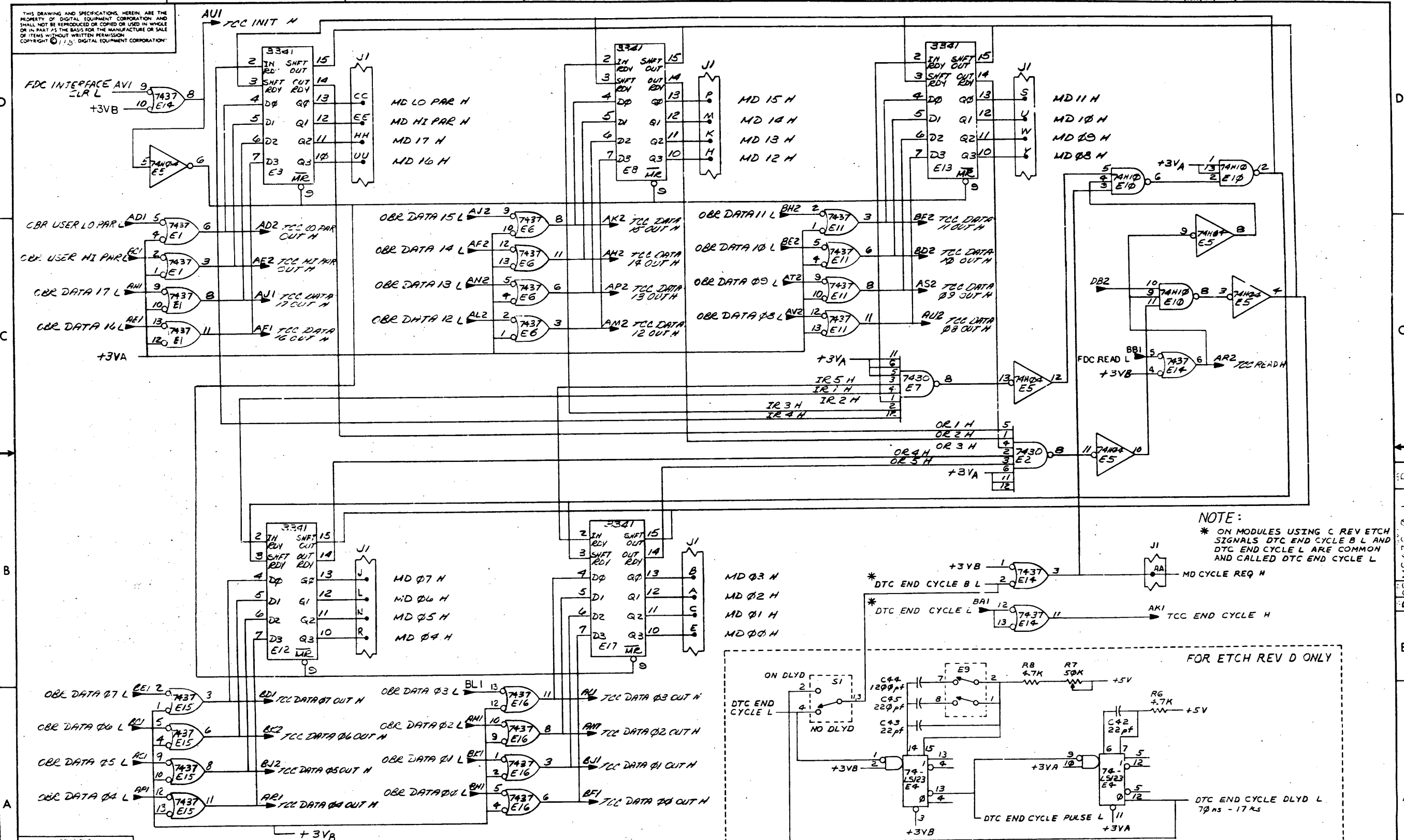


REVISIONS		
CHG	CHANGE NO	REV

TITLE	DR70 TEST CARD	SIZE CODE	NUMBER	REV.
SCALE	SHEET 3 OF 4	DIST.	DCSM8432-0-1	D

DCSM8432-0-1 D

THIS DRAWING AND SPECIFICATIONS, HEREIN, ARE THE PROPERTY OF DIGITAL EQUIPMENT CORPORATION AND SHALL NOT BE REPRODUCED OR COPIED OR USED IN WHOLE OR IN PART AS THE BASIS FOR THE MANUFACTURE OR SALE OF ITEMS WITHOUT WRITTEN PERMISSION. COPYRIGHT © 1975 DIGITAL EQUIPMENT CORPORATION.



NOTE:
 * ON MODULES USING C REV ETCH SIGNALS DTC END CYCLE B L AND DTC END CYCLE L ARE COMMON AND CALLED DTC END CYCLE L

REVISIONS		
CHK	CHANGE NO	REV

TITLE	DR70 TEST CARD	SIZE CODE	NUMBER	REV.
SCALE	SHEET 4 OF 4	DIST		D

