



**ILLUSTRATED  
PARTS  
BREAKDOWN**

**RV64  
OPTICAL LIBRARY**

**HOW TO USE THE IPB**

**GENERAL**

This IPB is compiled following the organization and nomenclature of the engineering drawing structure.

**MAJOR ASSEMBLY LOCATOR (When Applicable)**

The Major Assembly Locator (first illustration) is an index that provides a description and a figure reference for all illustrations used in this manual.

**INDENTED PARTS LIST**

This manual identifies each assembly being broken down (figure reference callout), and all parts of that assembly. Further breakdown of an assembly is shown by an asterisk (\*) preceding the item callouts in the Description Column. The number of asterisks preceding an item is used to denote the subordination of that item with respect to the Major Assembly. A single asterisk preceding an item description indicates that the item is part of the major assembly being illustrated. Items that are subordinate to single asterisks items, are denoted by two asterisks (\*\*) and immediately follow the related single asterisk item. This system of part identification provides a means for the user to identify the next higher assembly item and make alternate selections for parts when the required replacement part of assembly is not immediately available.

**COLUMN CALLOUT DESCRIPTION**

**Figure and Item** - Indicates the figure number and item number of each part.

**Description** - Lists the name of the part and pertinent specifications (when required). Asterisks preceding the description denote the subordination of the part to the next higher assembly.

**DEC Part No.** - Lists the Digital part ordering number. A blank in this column indicates a Digital part number was not assigned at the time of publication.

**ECO Cut-In** - The notation at the top of this column indicates the ECO level of the system (option), at which the IPB was initially prepared. Subsequent ECO level designations, that modify existing parts or add new parts to the device, are inserted in the ECO Cut-In column next to the part that is added or modified.

**Used On Code** - Letters in this column correspond to the variation codes assigned in Figure 1. Parts with an Alpha notation(s) are used only in those option variations. A blank indicates that the part is used on all option variations.

**Ref Fig No.** - A cross reference between illustrations. For each Major Assembly, the number in this column denotes the figure of the next higher assembly. For all subassemblies, the number in this column denotes the figure showing additional detailed breakdown.

**PART NUMBER/PART DESCRIPTION SORT SECTION**  
Parts are sorted both numerically and alphabetically by description referenced to a location within the IPB, by figure number and item number.

REVISION HISTORY				OTHER IPB MANUALS REFERENCED
PRINTING	ECO LEVEL		DATE	
1st Printing	RV64	00000-00000		20-APR-90
				EK-RV20P-IP

Digital Equipment Corporation reserves the right, without notice, to make substitutions and modifications in the specifications of products documented in this manual and further reserves the right to withdraw any of these products from the market without notice.

Digital Equipment Corporation is not responsible for errors which may appear in the technical description (including illustrations and photographs) of the products covered by this manual.

None of the descriptions contained in this manual imply the granting of any license whatsoever to make, use or sell equipment constructed in accordance therewith.

Restricted Rights: Use, duplication or disclosure by the U.S. Government is subject to restrictions as set forth in subparagraph (c) (1) (ii) of the Rights in Technical Data and Computer Software clause at DFARS 252.227-2713.

Copyright © 1990 by Digital Equipment Corporation. All rights reserved.

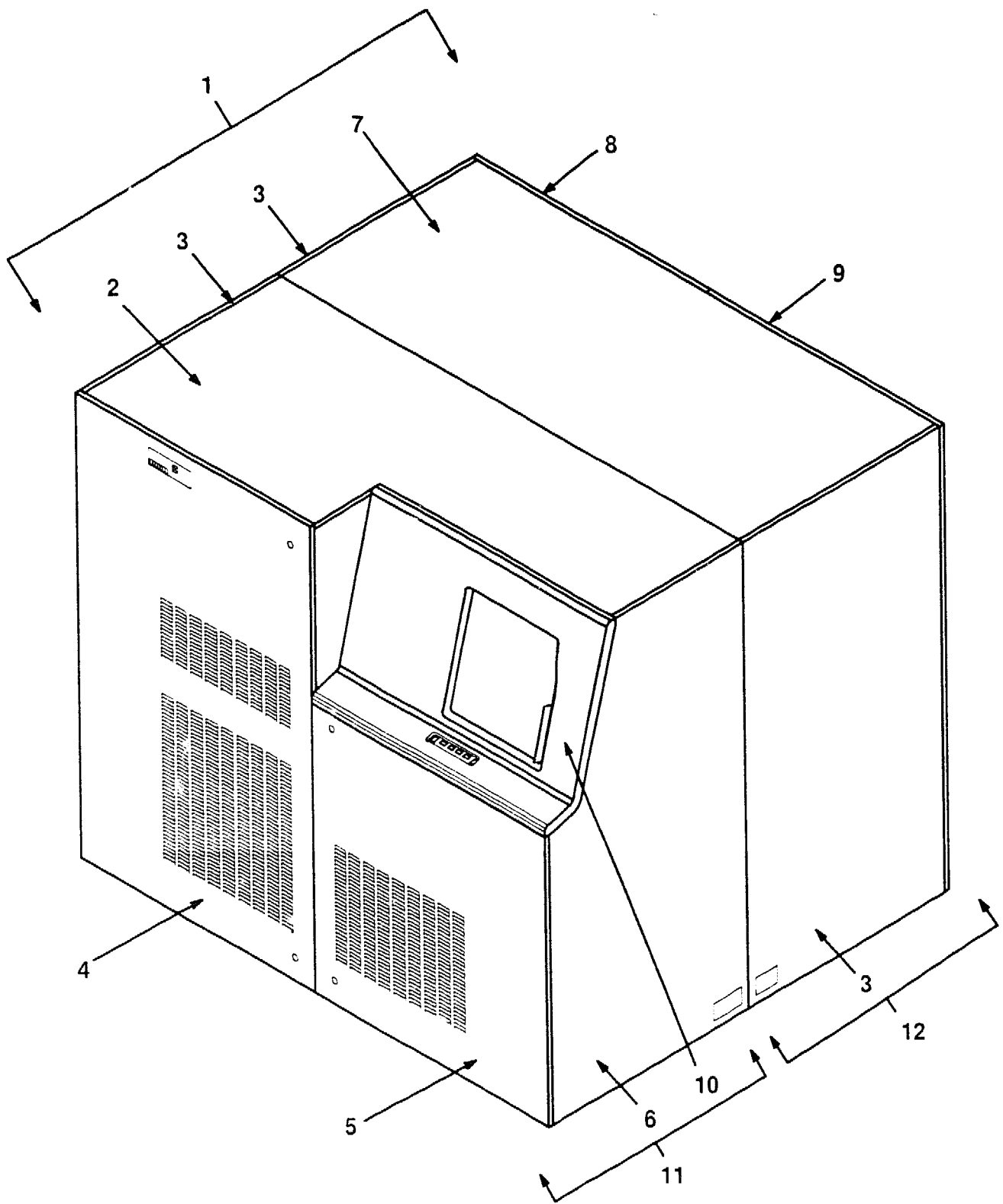
The postage-paid READER'S COMMENTS form on the last page of this document requests your critical evaluation to assist us in preparing future documentation.

The following are trademarks of Digital Equipment Corporation :

---

**digital**<sup>TM</sup>

DEC  
DECUS  
PDP  
RV20  
RV64  
UNIBUS  
VAX



RV64-01-IL

Figure 1. RV64 Optical Library

PARTS LIST



FIG. & ITEM NO.	DESCRIPTION	VENDOR PART NO.	DEC PART NO.	USED ON CODE	REF FIG NO.
1-	RV64 OPT CAL LIBRARY				
	Code A - Used on RV64-B (60Hz)		RV64-B	A	
	Code B - Used on RV64-C (50Hz)		RV64-C	B	
	Code C - Used on RV64-D (50Hz)		RV64-D	C	
1	*Optical Library w/o Drives (120V)		30-27245-01		
	*Optical Library w/o Drives (240V)		30-27245-02		
2	*Cover, Top Storage Side	6001422-004			
3	*Panel, Side	6001423-006			
4	*Door, Left Front, Storage	6001583-007			
5	*Door, Right Front, Storage	6001581-004			
6	*Cover, Right Side, Storage	6001421-004			
7	*COVER ASSEMBLY, TOP TRANSPORT SIDE	6001424-004			
	**Cover, Top Transport Side	6000382			
8	*Door, Right Rear Transport Side	6001582-005			
9	*Door, Left Rear Transport Side	6001580-004			
10	*Panel, Front	6001596-005			
11	*STORAGE SIDE ASSEMBLY	6001542			2
12	*TRANSPORT SIDE ASSEMBLY	6001563-999			3
	DRIVES (Not Shown)				
	*RV60 Drive (Master) (See Note)		RV60-A		
	*RV60 Drive (Slave) (See Note)		RV60-B		
	CABLES and ADAPTOR (Not Shown)				
	*Cable, 40 Ft RS232 Host		29-27499-01		
	*Cable, ISI 5 Ft Right Angle		29-27497-01		
	*Adaptor, BI to LESI (Not Shown)		KLESI-B		
	NOTE: See IPB Manual EK-RV20P-IP.				

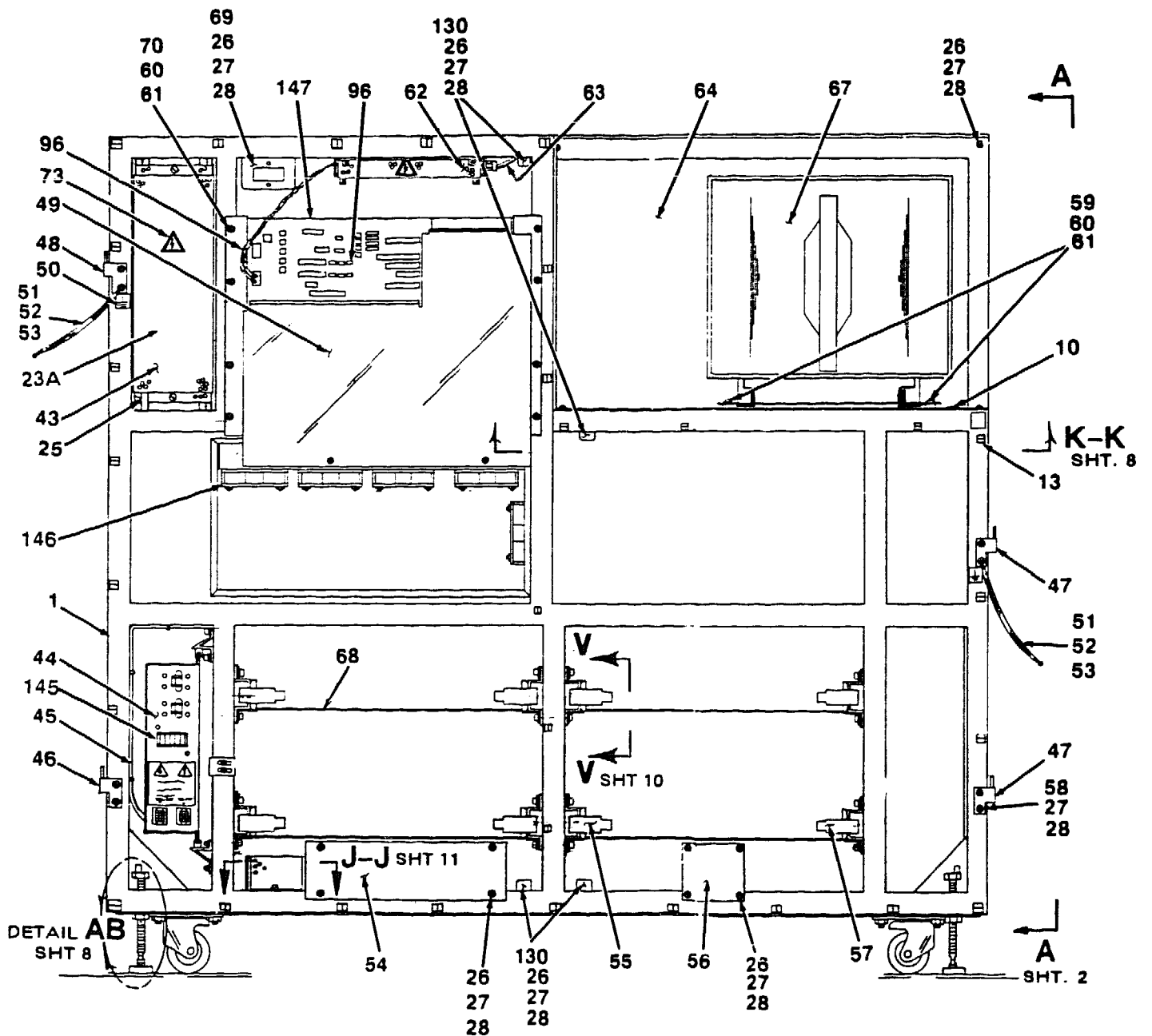
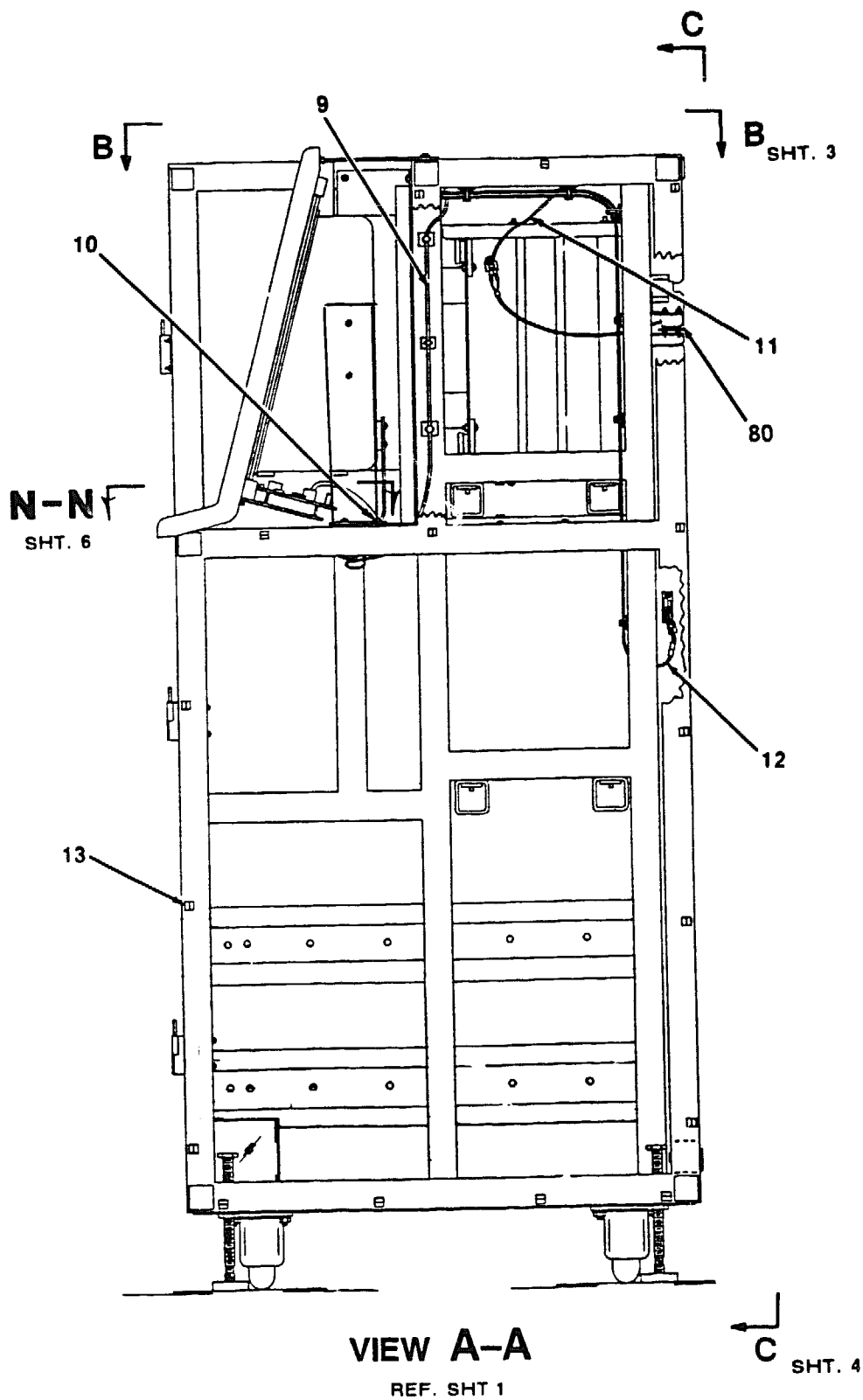


Figure 2. Storage Side Assembly (Sheet 1 of 12)

RV64-02-BD

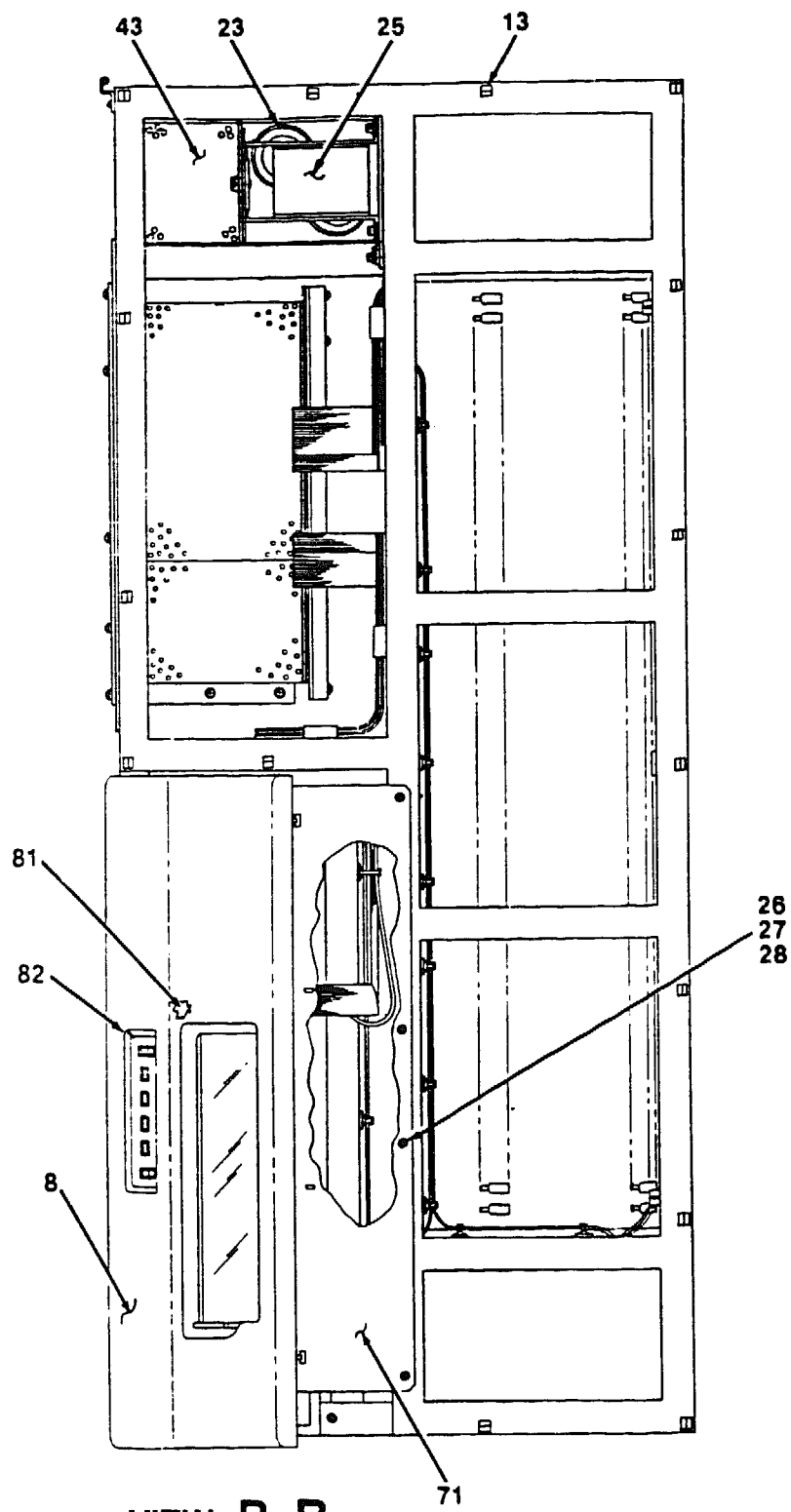
PARTS LIST

IPB-RV64



RV64-02A-BD

Figure 2. Storage Side Assembly (Sheet 2 of 12)

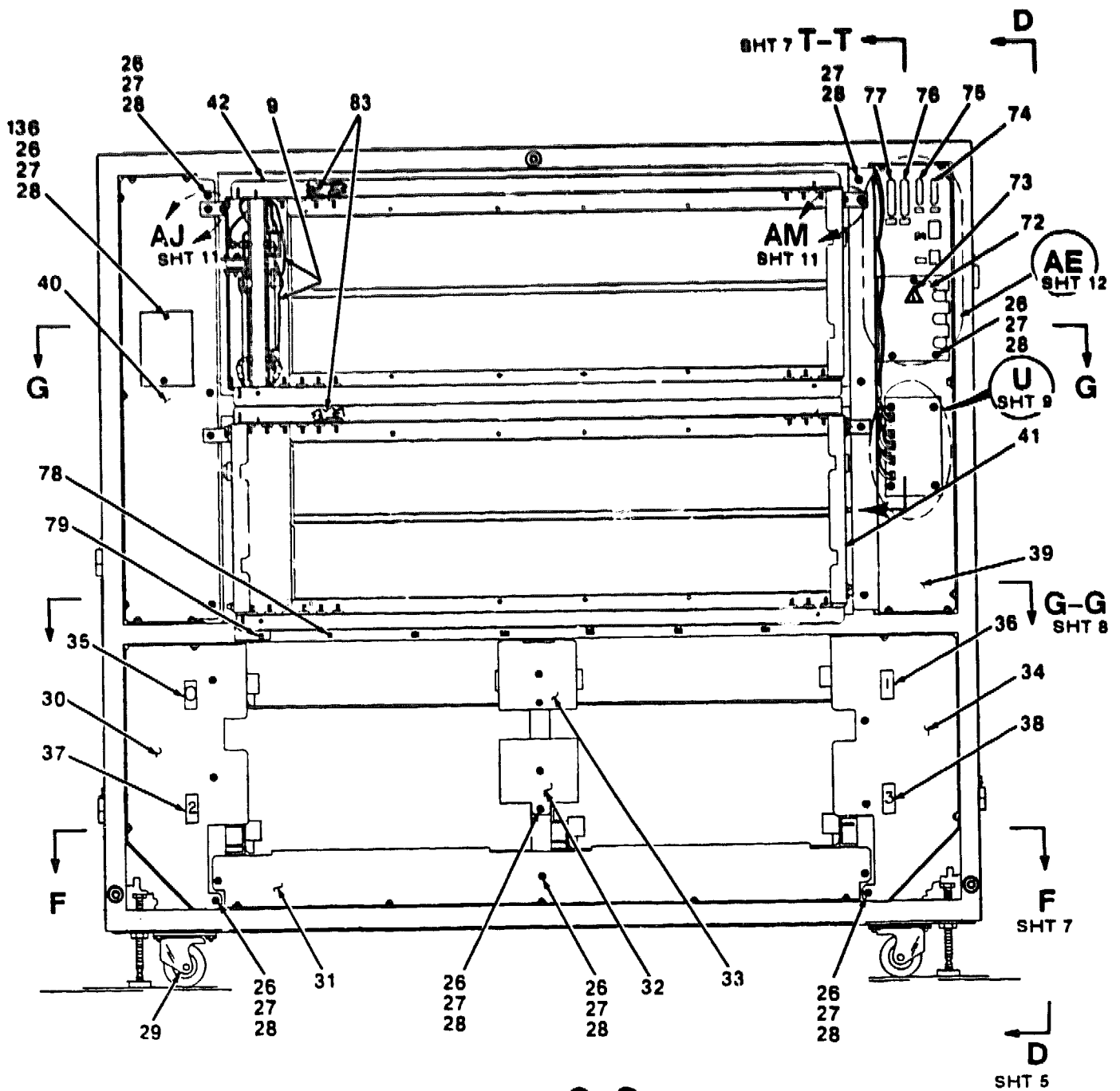


**VIEW B-B**  
REF. SHT 2

RV64-02B-BD

*Figure 2. Storage Side Assembly (Sheet 3 of 12)*

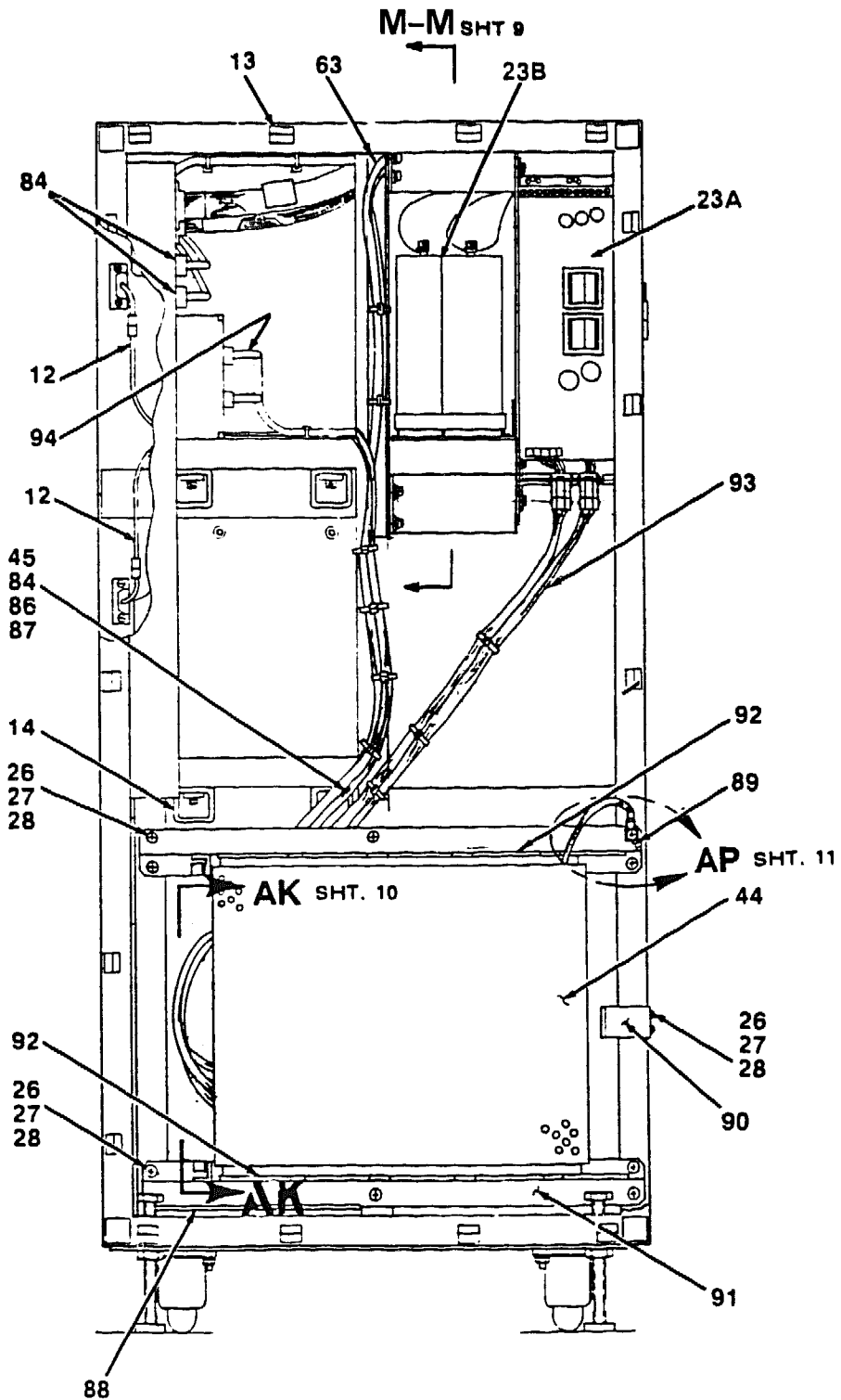




VIEW C-C

RV64-02C-BD

Figure 2. Storage Side Assembly (Sheet 4 of 12)

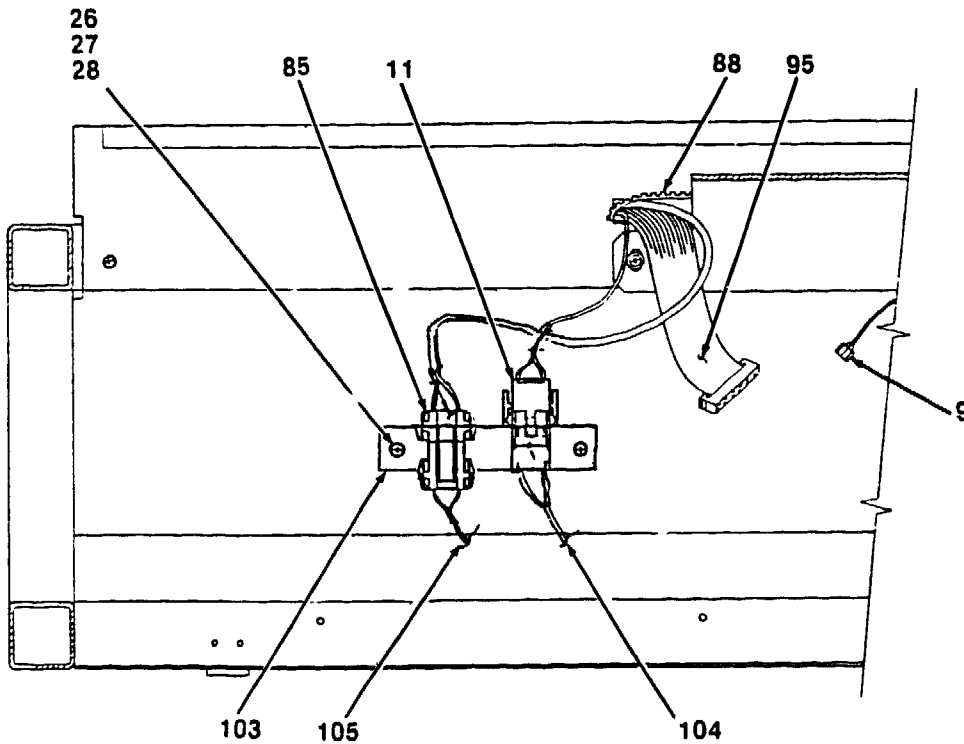


**VIEW D-D**  
REF. SHT 4

RV64-02D-BD

*Figure 2. Storage Side Assembly (Sheet 5 of 12)*

PARTS LIST

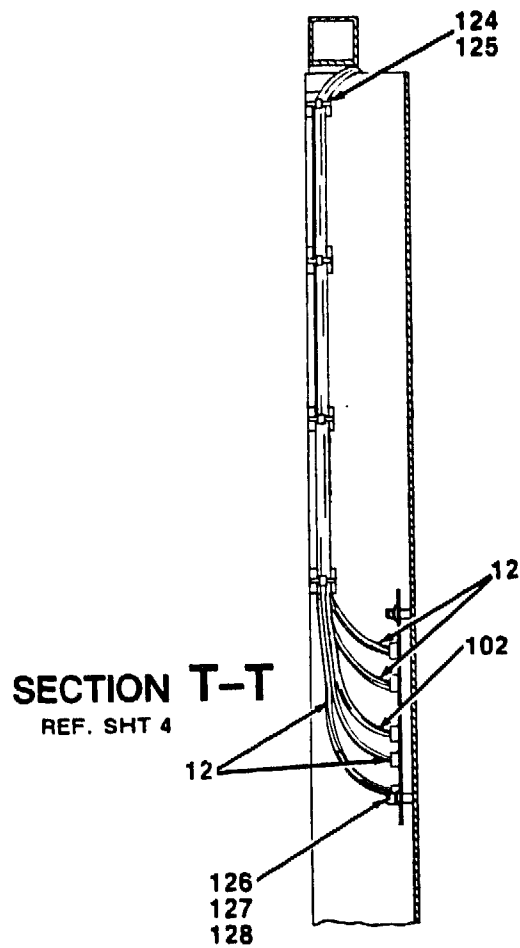
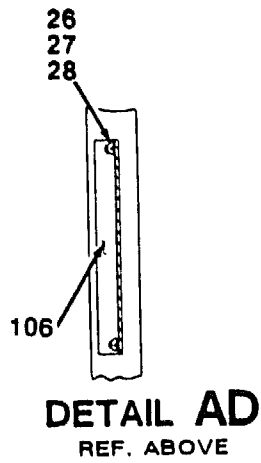
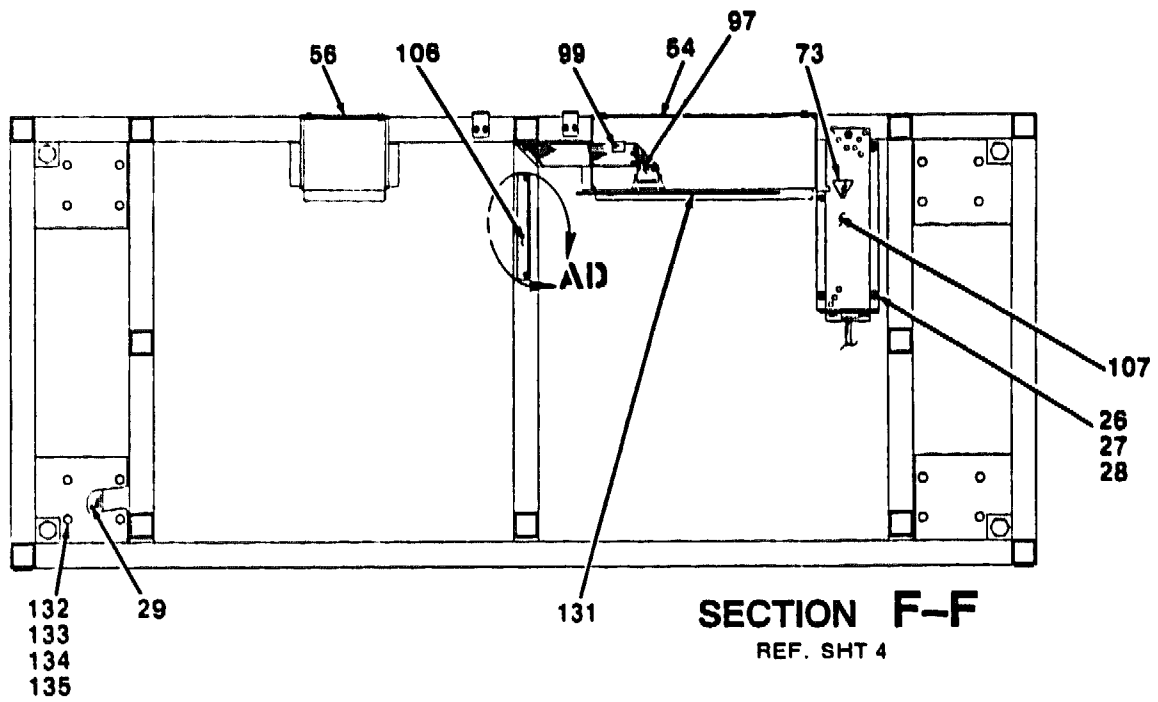


**SECTION N-N**  
REF. SHT 2

RV64-02E-BD

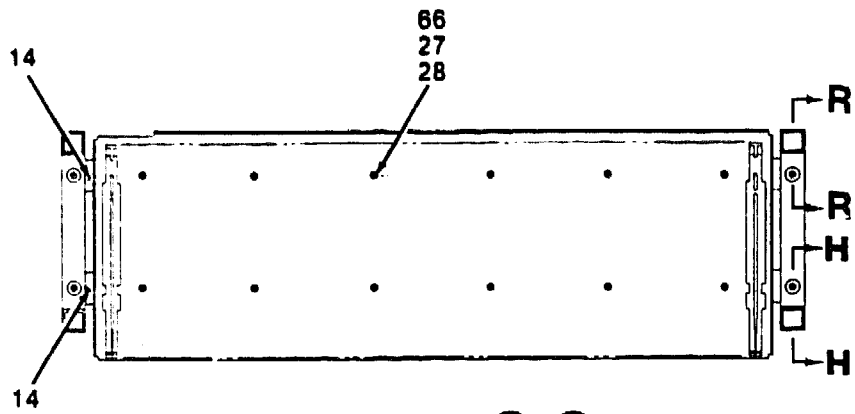
*Figure 2. Storage Side Assembly (Sheet 6 of 12)*



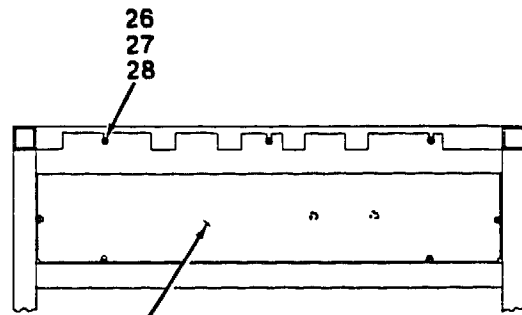


RV64-02F-BD

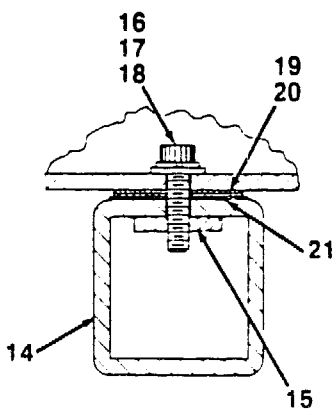
Figure 2. Storage Side Assembly (Sheet 7 of 12)



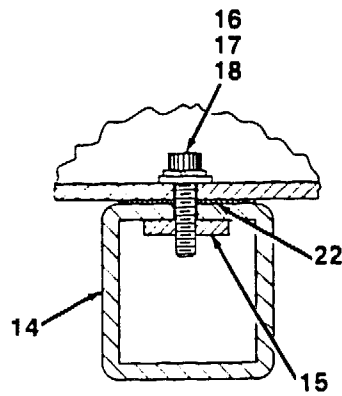
**SECTION G-G**  
REF. SHT 4



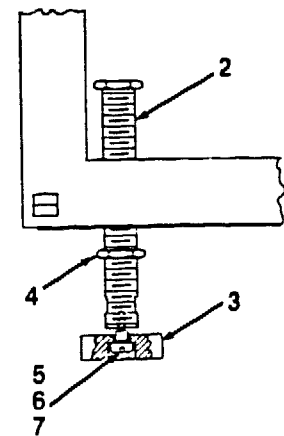
**SECTION K-K**  
REF. SHT 1



**SECTION R-R**  
REF. ABOVE



**SECTION H-H**  
REF. ABOVE

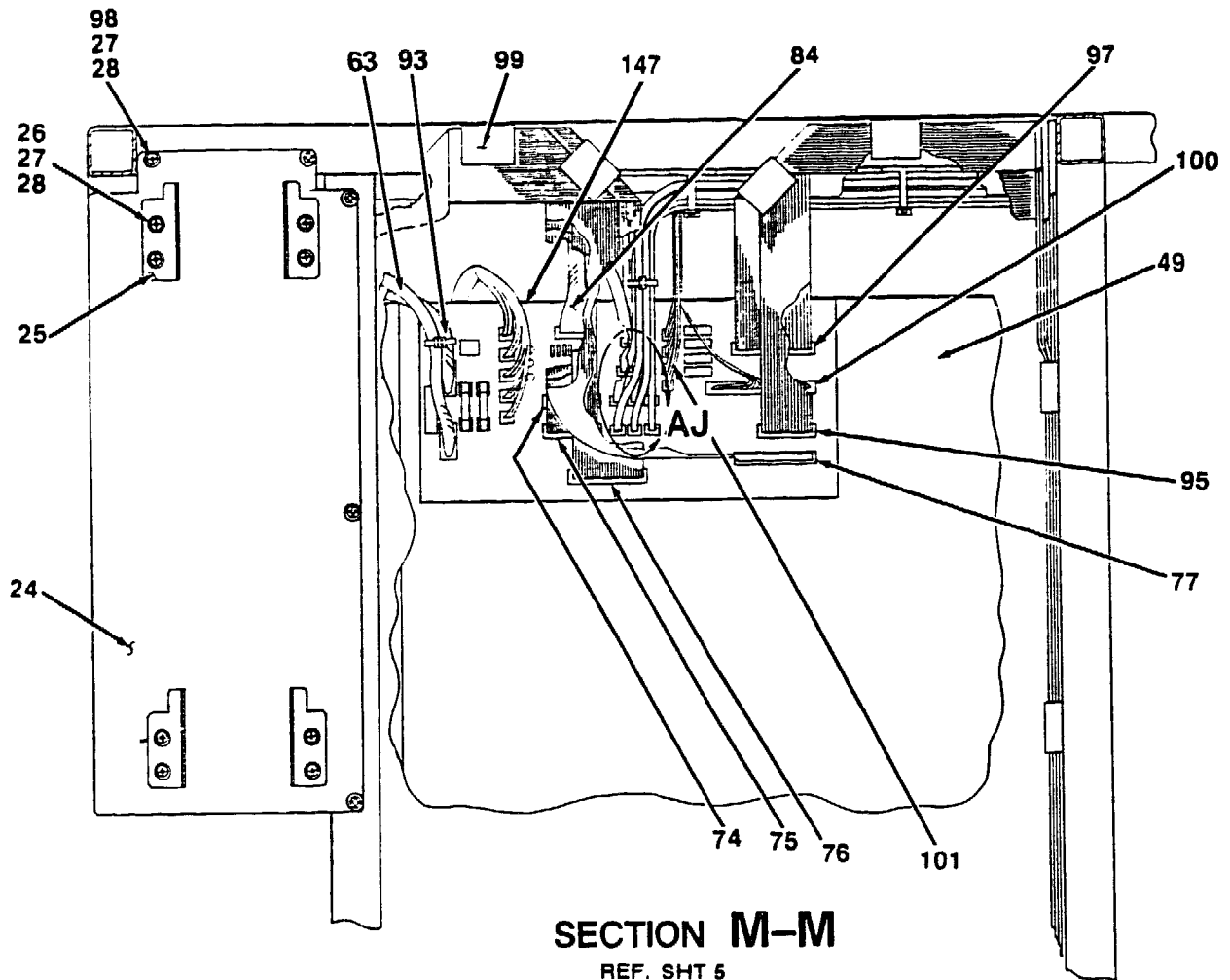


**DETAIL AB**  
REF. ABOVE

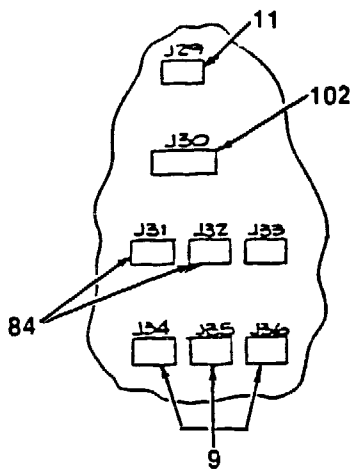
RV64-02G-BD

*Figure 2. Storage Side Assembly (Sheet 8 of 12)*

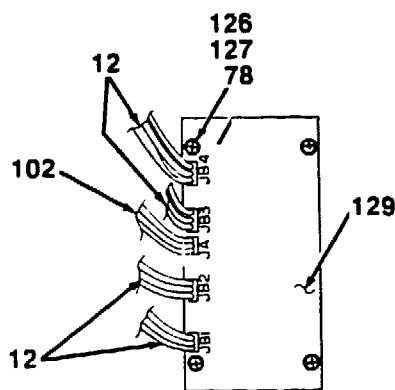




**SECTION M-M**  
REF. SHT 5



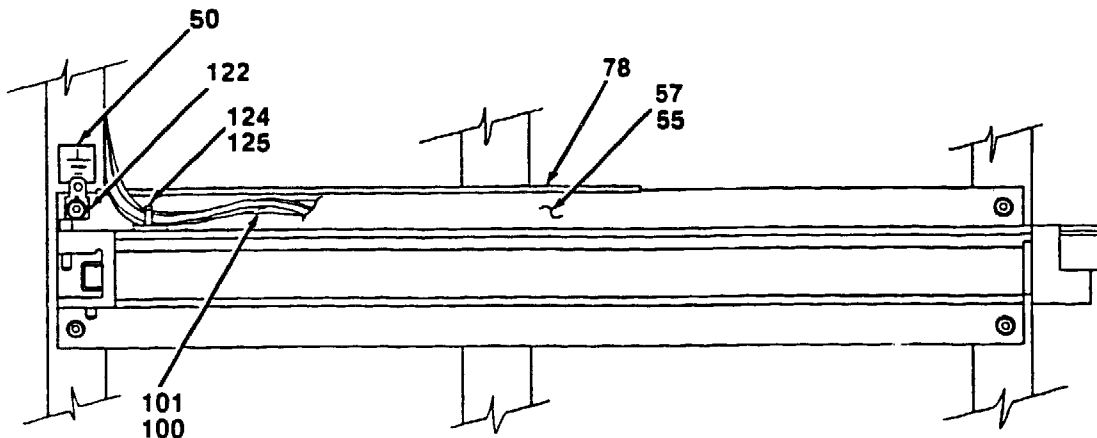
**DETAIL AJ**  
REF. ABOVE



**DETAIL U**  
REF. SHT 4

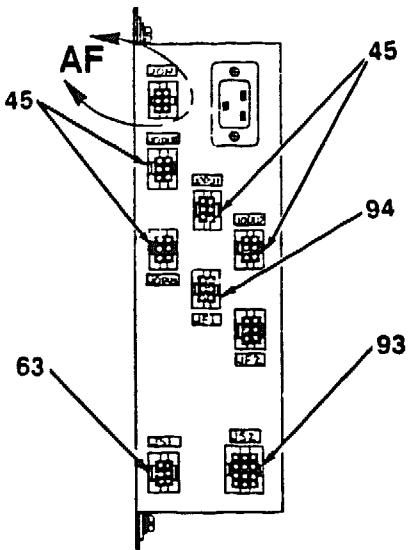
RV64-02H-BD

**Figure 2. Storage Side Assembly (Sheet 9 of 12)**



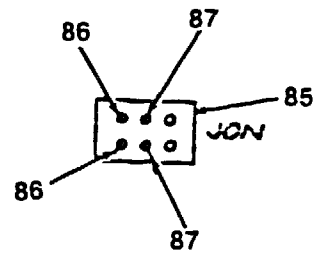
**SECTION V-V**

REF. SHT 1



**VIEW AK-AK**

REF. SHT 5

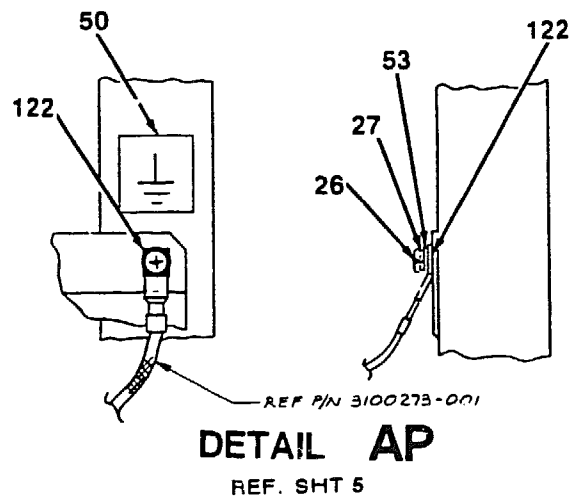
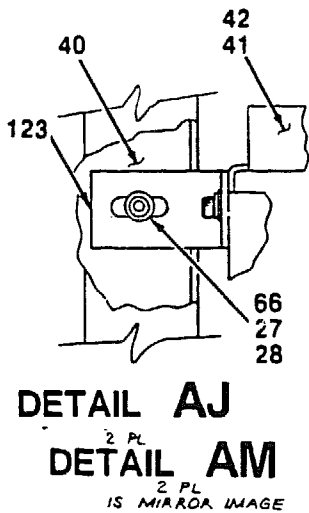
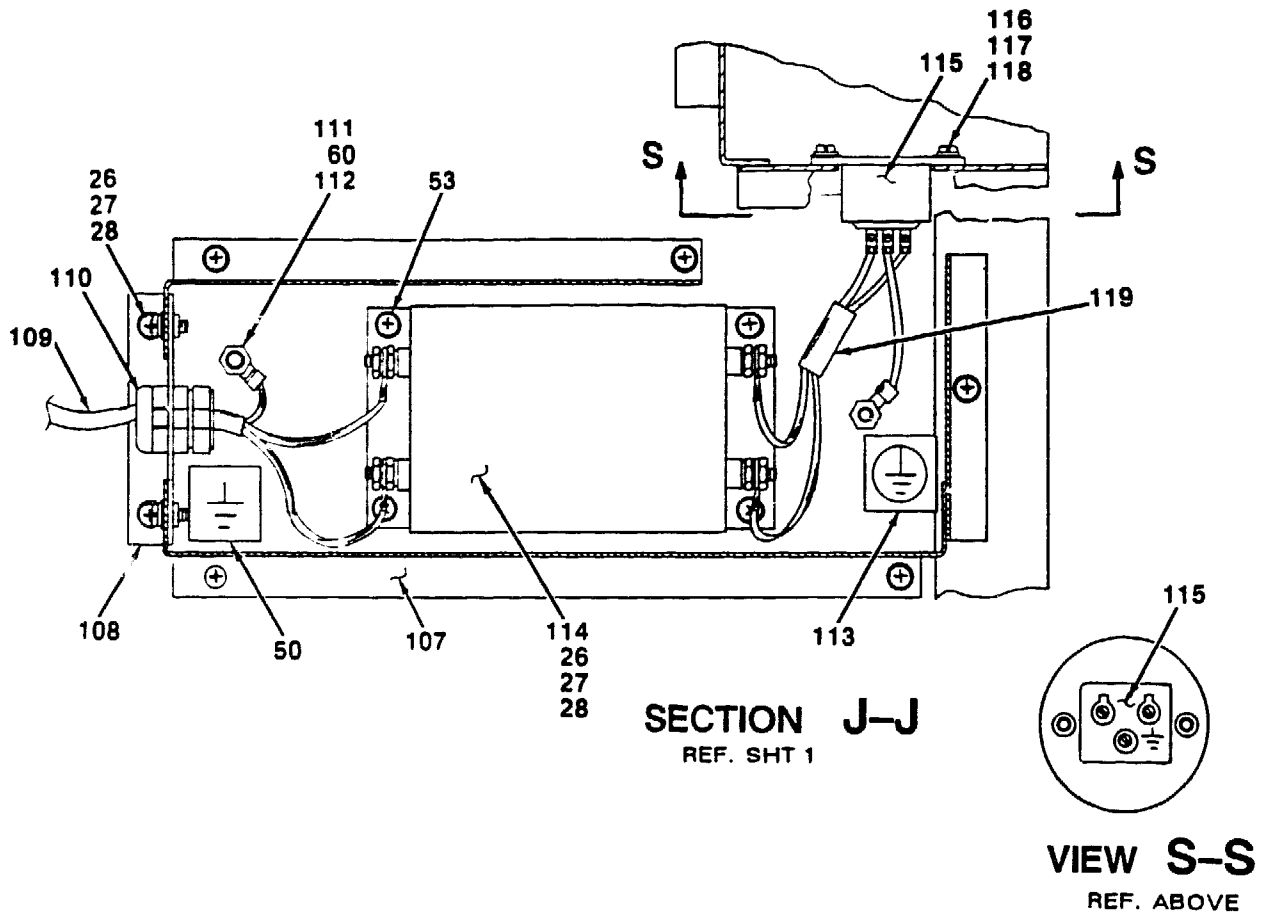


**DETAIL AF**

RV64-02J-BD

Figure 2. Storage Side Assembly (Sheet 10 of 12)

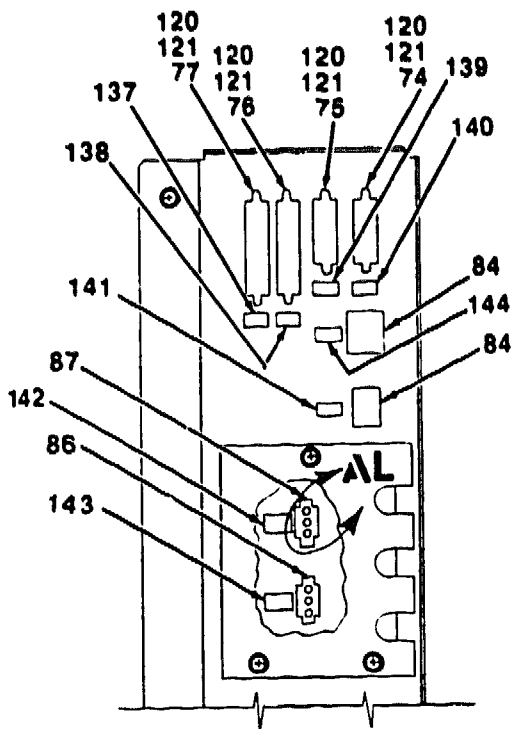




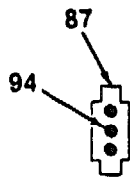
RV64-02K-BD

Figure 2. Storage Side Assembly (Sheet 11 of 12)

PARTS LIST



**DETAIL AE**  
REF. SHT 4



**DETAIL AL**  
REF. ABOVE

RV64-02H-BD

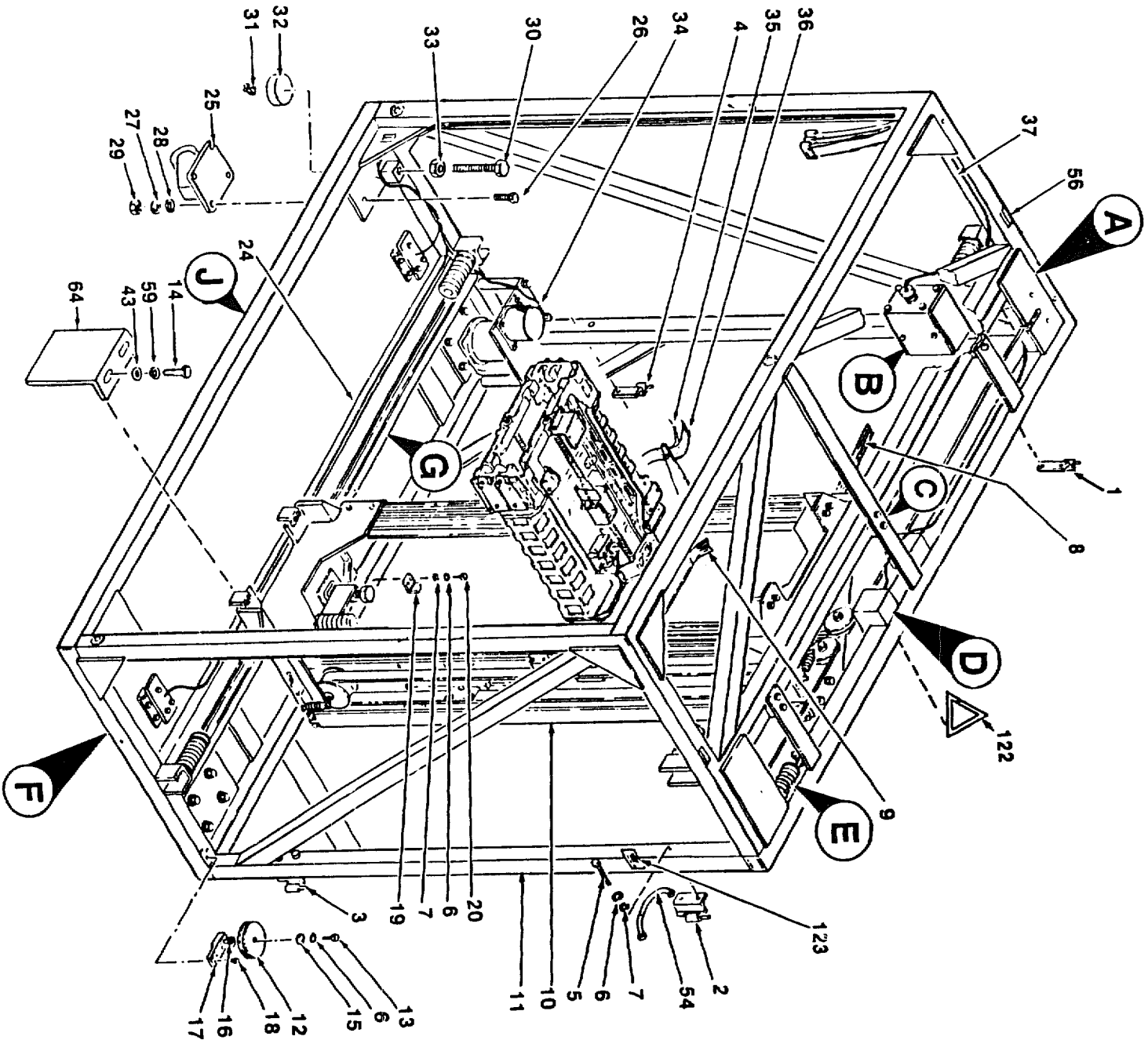
*Figure 2. Storage Side Assembly (Sheet 12 of 12)*

FIG. & ITEM NO.	DESCRIPTION	VENDOR PART NO.	DEC PART NO.	USED ON CODE	REF FIG NO.
2-	STORAGE SIDE ASSEMBLY	6001542-001			1
1	*Frame, Storage Unit	6001554-001			
2	*Leveler	6000302			
3	*Pad, Leveler	6000303			
4	*Nut, Special Leveler	6000557			
5	*Screw, Shoulder Socket No. 1/4-20 x 7/16	4002425-004			
6	*Loctite	1515006			
7	*Primer, Loctite	1515000			
8	*Panel Assembly, Front	6001596-001			
9	*Harness Assembly, Input Station	3100043			
10	*Grommet, Round	1616016-009			
11	*Harness Assembly, I/L Solenoid	3100151-999			
12	*Harness Assembly, Long Range Sensor	3100311-001			
13	*Clip, EMI	4300006			
14	*Beam, Cart Support	6000307			
15	*Plate, Cart Support Nut	6000308			
16	*Screw, No. 1/4-20 x 3/4	4000225-012			
17	*Washer, Flat No. 1/4	4200000-025			
18	*Washer, Split Lock No. 1/4	4200003-025			
19	*Shim, Cartridge Rack .010	4500004-003			
20	*Shim, Cartridge Rack .020	4500004-004			
21	*Shim, Cartridge Rack .050	4500004-005			
22	*Washer	4200039			
23	*POWER/CAPACITOR ASSEMBLY	6001513-001			
23A	**Power Supply Assembly, 24V		29-26585-00		
23B	**Capacitor, Electro, 120000MF, 40V		29-26576-00		
24	*Plate, Power Supply Adaptor	6001508-001			
25	*Bracket, Power Supply Support	6001509-001			
26	*Screw, Phi Pan Hd No. 8-32 x 3/8	4000108-006			
27	*Washer, No. 8	4200000-008			
28	*Washer, Split Lock No. 8	4200003-008			
29	*Casters	5300001			
30	*Cover, ODU Left Side	6000398-001			
31	*Cover, ODU Bottom	6000399			
32	*Cover, ODU Center	6000396			
33	*Cover, ODU Upper Center	6000468			
34	*Cover, ODU Right Side	6000398-002			
35	*Label, "ODU Position - 0"	1414028-000			
36	*Label, "ODU Position - 1"	1414028-001			
37	*Label, "ODU Position - 2"	1414028-002			
38	*Label, "ODU Position - 3"	1414028-003			

FIG. & ITEM NO.	DESCRIPTION	VENDOR PART NO.	DEC PART NO.	USED ON CODE	REF FIG NO.
2-					
39	*Cover, Inside Top Right	6000521			
40	*Cover, Inside Top Left	6000403			
41	*Cart Rack Assembly, Lower	6000342-999			
42	*Cart Rack Assembly, Upper	6000327-999			
43	*Cover, Power Supply 24V	6001512-001			
44	*Power Management Box		29-27243-01		
45	*Harness Assembly, ODU	3100285-001			
46	*Hinge, Lower Left, Frame	6000441-003			
47	*Hinge, Lower Right, Frame	6000441-001			
48	*Hinge, Upper Left, Frame	6000441-004			
49	*Card Cage Assembly	6000347-999			
50	*Label, "Ground, Secondary"	1414012			
51	*Cable, Ground	3100191			
52	*Nut, No. 8-32	4100000-008			
53	*Washer, Internal Tooth No. 8	4200005-008			
54	*Cover, Housing Left	6000481			
55	*Slide Mount Assembly, Left	6001498-001			
56	*Cover, Housing Right	6000482			
57	*Slide Mount Assembly, Right	6001497-001			
58	*Screw, Phi Pan Hd No. 8-32 x 2	4000108-032			
59	*Screw, Pan Hd No. 10-24 x 3/4	4001110-012			
60	*Washer, Flat No. 10	4200000-010			
61	*Washer, Split Lock No. 10	4200003-010			
62	*Power Supply Assembly (5V)		29-26584-00		
63	*Harness Assembly, 5V Power Supply	3100307-001			
64	*Shield, Input EMI	6000525			
65	*Shield, Lower EMI	6000526			
66	*Screw, Hex Socket Cap No. 8-32 x 3/8	4000208			
67	*Input Station Assembly	6001657-001			
68	*Slide, Rear Retainer - ODU	6001575-001			
69	*Counter Assembly, Insertion		29-27423-01		
70	*Screw, Pan Hd No. 10-24 x 1/2	4001110-008			
71	*Bracket, Upper Support	600532			
72	*Cover, A.C. Filler	6001589-001			
73	*Label, "Shock Hazard"	1414010			
74	*Cable Assembly, Horizontal Carriage	3100070			
75	*Cable Assembly, Vertical Motor	3100157-999			
76	*Cable Assembly, Pivot Carriage Gripper		29-27254-01		
77	*Cable Assembly, Gripper Sensor		29-27247-01		
78	*Grommet, Flexible	1616021-001			

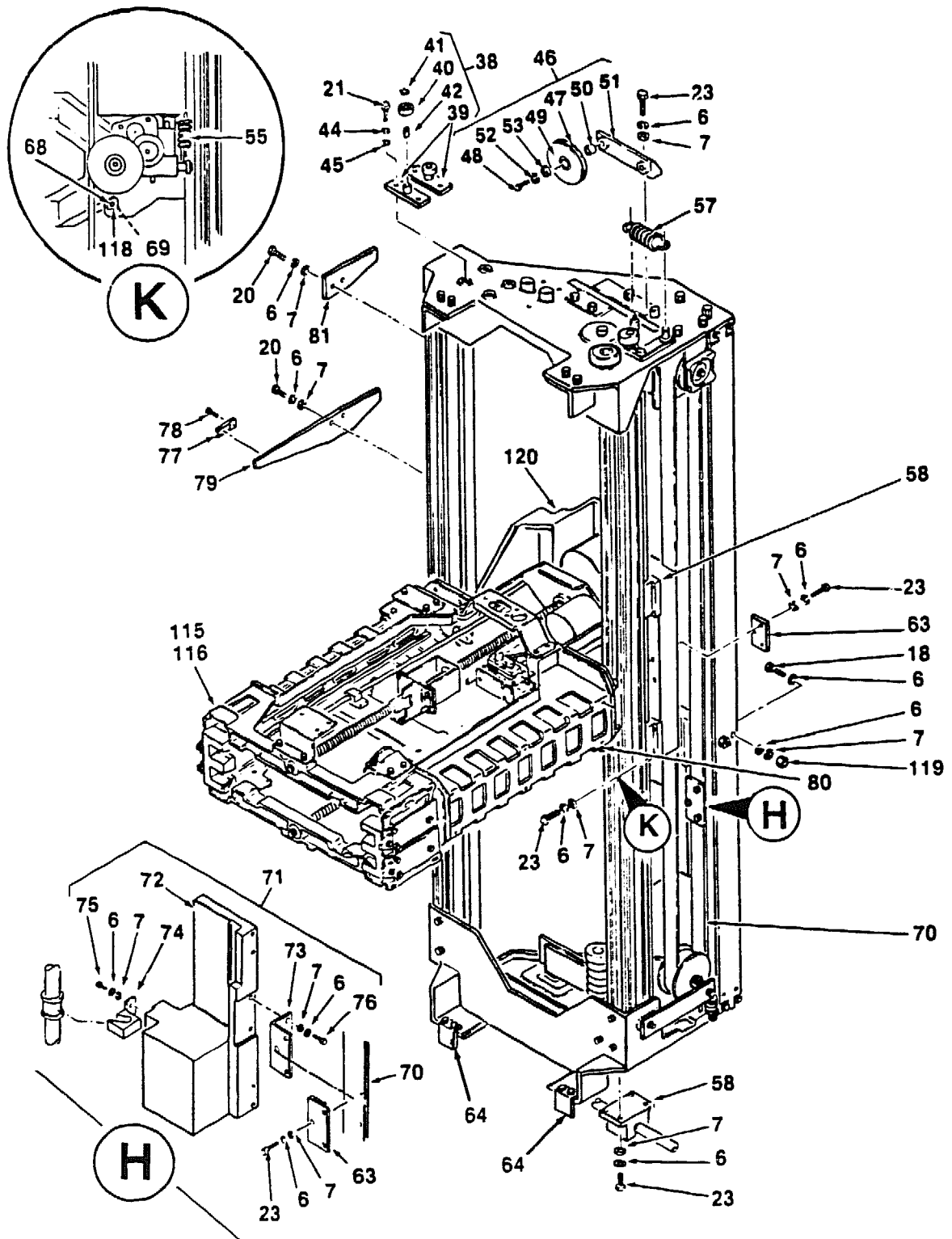
FIG. & ITEM NO.	DESCRIPTION	VENDOR PART NO.	DEC PART NO.	USED ON CODE	REF FIG NO.
2-					
79	*Number, Storage Slot 0	1414016-000			
	*Number, Storage Slot 1	1414016-001			
	*Number, Storage Slot 2	1414016-002			
	*Number, Storage Slot 3	1414016-003			
	*Number, Storage Slot 5	1414016-005			
80	*Detent Solenoid Assembly		29-26572-00		
81	*Solenoid Assembly, Door Lock		29-26623-00		
82	*Control Panel Assembly		29-26554-00		
83	*Springs (6), Sensor Flag		29-27498-01		
84	*Harness Assembly, Bulkhead	3100044			
85	*Harness Assembly, Front Panel	3100145-001			
86	*Harness Assembly, Interlock	3100146-001			
87	*Harness Assembly, Emergency Stop	3100147-001			
88	*Grommet, Nylon Flexible	1616021-001			
89	*Bracket, Power Mgt. Upper Support	6000492-001			
90	*Retainer, Power Mgt	6000565			
91	*Bracket, Power Mgt. Lower Support	6000492-002			
92	*Guides, Card	1717008			
93	*Harness Assembly, Power Supply (24V)	3100308-001			
94	*Harness Assembly, Power Mgt Bulkhead	3100354-001			
95	*Cable Assembly, Front Panel		29-26556-00		
96	*Jumper, P33		29-27248-01		
97	*Cable Assembly, Serial I/O	3100064			
98	*Screw, Phi Pan Hd No. 8-32 x 3/8	4000108-008			
99	*Mount, Flat Cable	1616022-003			
100	*Cable Assembly, JB ODU	3100277-001			
101	*Harness Assembly, ODU - Solenoid	3100284-001			
102	*Harness Assembly, Cart. In Place	3100312-001			
103	*Bracket, Input Station	6000540			
104	*Harness Assembly, Solenoid Ext	3100159-999			
105	*Harness Assembly, Power Switch	3100160-999			
106	*Bracket, Cable	6000548			
107	*Housing, Line Filter	6001569-001			
108	*Bracket, Line Filter	6005168-001			
109	*Harness Assembly, Line Filter	3100351-001			
110	*Connector, Liquid Tight	1616013-003			
111	*Nut, Hex No. 10-32	4100017-010			
112	*Washer, Int Tooth No. 10	4200005-010			
113	*Label, "Primary Ground"	1414011			
114	*Filter, EMI Line	0707051-001			
115	*Harness Assembly, Receptacle	3100344-001			
116	*Screw, Phi Pan Hd No. 6-32 x 5/16	4000106-005			
117	*Washer, No. 6 Flat	4200000-006			

FIG. & ITEM NO.	DESCRIPTION	VENDOR PART NO.	DEC PART NO.	USED ON CODE	REF FIG NO.
2-					
118	*Washer, Split Lock No. 6	4200003-006			
119	*Harness Assembly, Terminal Block	3100094-999			
120	*Socket Kit, Jack No. 4-40	0808057			
121	*Socket Assembly, Jack No. 4-40	0808097			
122	*Tab, Receptacle	0808212			
123	*Bracket, Cartridge Rack Support	6005323-001			
124	*Tie, Self Locking Cable	1616003-001			
125	*Mount, Adhesive Cable Tie	1616018			
126	*Screw, Hex Socket Cap No. 4-40 x 1/4	4000204-004			
127	*Washer, Flat No. 4	4200000-004			
128	*Washer, Split Lock No. 4	4200003-004			
129	*Module, Cart In Place Sensor		29-26564-00		
130	*Bracket, Lock	6000454			
131	*Module, Serial I/O RS232		29-26586-00		
132	*Screw, Hex Hd No. 5/16-18 x 1	4000331-016			
133	*Washer, Flat No. 5/16	4200000-031			
134	*Washer, Split Lock No. 5/16	4200003-031			
135	*Nut, Hex No. 5/16	4100000-031			
136	*Cover, Left Bulkhead	6005471-001			
137	*Label, "OSAR Interconnect, J107"	1414053-007			
138	*Label, "OSAR Interconnect, J106"	1414053-006			
139	*Label, "OSAR Interconnect, J105"	1414053-005			
140	*Label, "OSAR Interconnect, J104"	1414053-004			
141	*Label, "OSAR Interconnect, J101"	1414053-001			
142	*Label, "OSAR Interconnect, Emer. Stop"	1414054-001			
143	*Label, "OSAR Interconnect, Interlock"	1414055-001			
144	*Label, "OSAR Interconnect, J102"	1414053-002			
145	*Meter, Time Lapse		29-26587-00		
146	*Fan, w/Connector Ball Bearing 24V DC		29-27566-00		
147	*Backplane, PCB		29-26588-00		
	CABLES (Not Shown)				
	*Harness Assembly, Horizontal Sensor		29-26557-00		



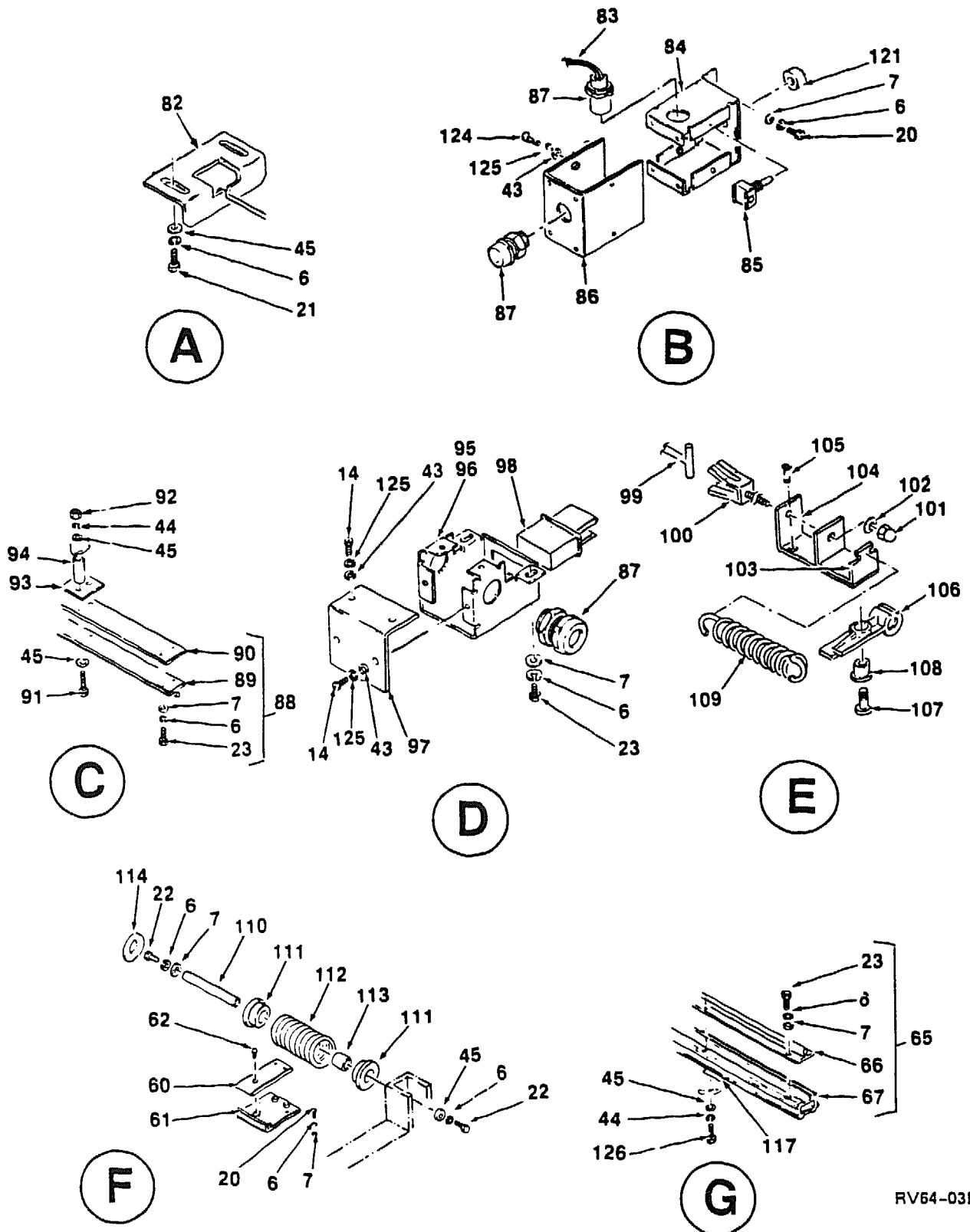
RV64-03-BD

Figure 3. Transport Side Assembly (Sheet 1 of 4)



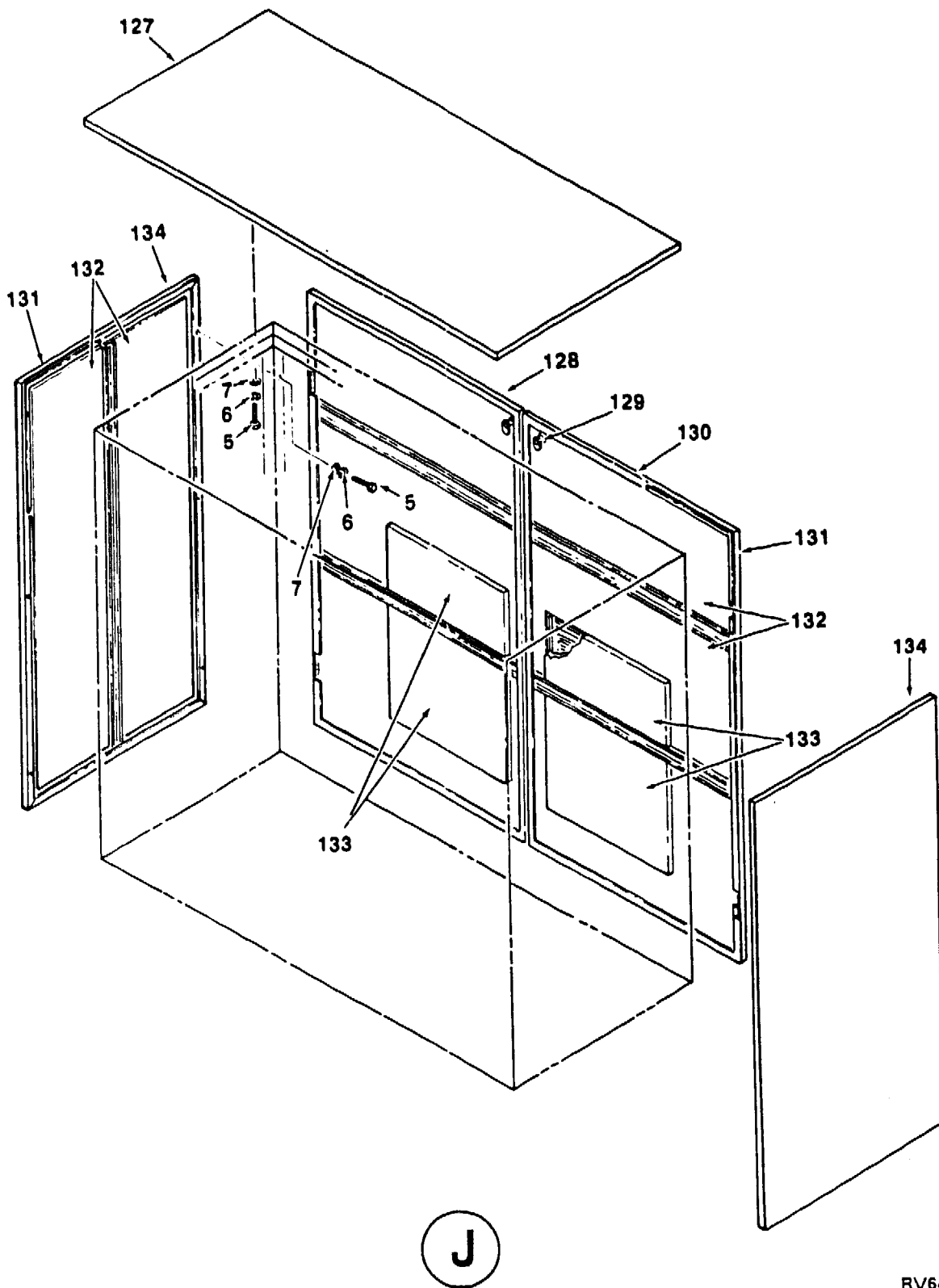
RV64-03A-BD

Figure 3. Transport Side Assembly (Sheet 2 of 4)



RV64-03B-BD

Figure 3. Transport Side Assembly (Sheet 3 of 4)



RV64-03C-BD

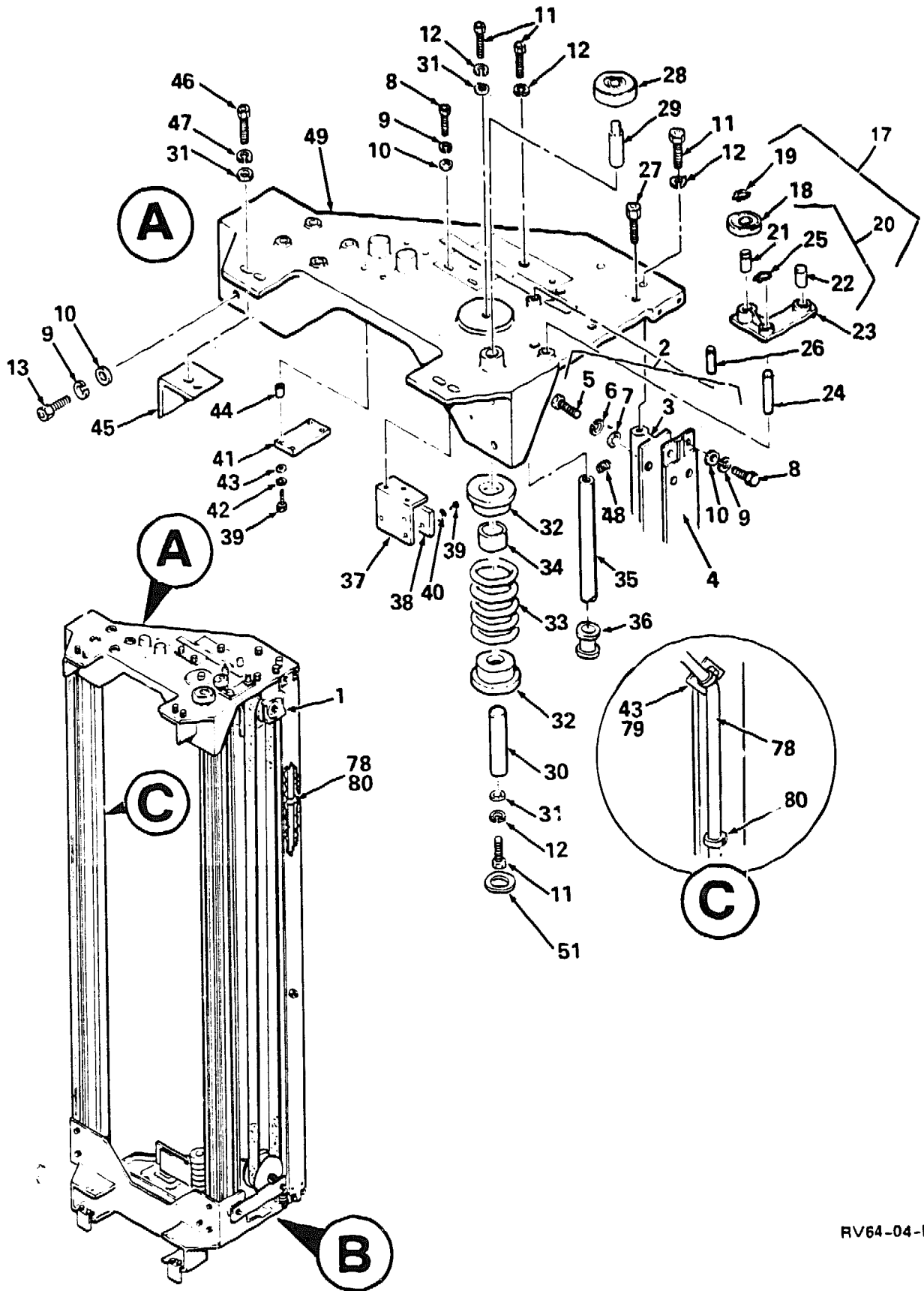
Figure 3. Transport Side Assembly (Sheet 4 of 4)

FIG. & ITEM NO.	DESCRIPTION	VENDOR PART NO.	DEC PART NO.	USED ON CODE	REF FIG NO.
3-	TRANSPORT SIDE ASSEMBLY	6001563-999			1
1	*Hinge, Right Upper	6000441-001			
2	*Hinge, Left Upper	6000441-003			
3	*Hinge, Left Lower	6000441-004			
4	*Hinge, Right Lower	6000441-002			
5	*Screw, Phi Pan Hd	4000108-032			
6	*Washer, Split Lock No. 8	4200003-008			
7	*Washer, Flat No. 8	4200000-008			
8	*Cable Assembly, Vertical Motor	3100156			
9	*Cable Assembly, Vertical Distribution		29-27245-01		
10	*CARRIAGE ASSEMBLY, HORIZONTAL	6000101-999			4
11	*Frame, Mechanism	6001553-001			
12	*Pulley, Idler Cable	6000151			
13	*Screw, Phi Pan Hd	4000108-004			
14	*Screw, Hex Socket Cap No. 4-40 x 1/4	4000104-004			
15	*Washer, Special	6000049			
16	*Washer, Bearing	4200018			
17	*Bracket, Idler Pulley	6001457-001			
18	*Screw, Hex Socket Cap No. 8-32 x 3/4	4000208-012			
19	*Bracket, Lock	6000454			
20	*Screw, Phi Pan Hd No. 8-32 x 3/8	4000108-006			
21	*Screw, Hex Socket Cap No. 1/4-20 x 1/5	4000225-008			
22	*Screw, Hex Socket Cap No. 1/4-20 x 3/4	4000225-012			
23	*Screw, Hex Socket Cap No. 8-32 x 1/2	4000208-008			
24	*Harness Assembly, Frame		29-26558-00		
25	*Caster	5300001			
26	*Screw, Hex Hd No. 5/16-18 x 3/4	4000331-012			
27	*Washer, Split Lock No. 5/16	4200003-031			
28	*Washer, Flat No. 5/16	4200000-031			
29	*Nut, Hex No. 5/16-18	4100000-031			
30	*Leveler	6000302			
31	*Screw, Shoulder	4002425-004			
32	*Pad, Leveler	6000303			
33	*Nut, Special Leveler	6000557			
34	*MOTOR ASSEMBLY, HORIZ. STEPPER	6000182-999			9
35	*Cable Assembly, Gripper Motor		29-26555-00		
36	*Cable Assembly, Gripper Sensor		29-27246-01		
37	*Harness Assembly, Power	3100128			
38	*LEVER ASSEMBLY, FIXED PRELOAD	6000108-999			
39	**Bracket, Bearing	6000191			
40	**Bearing, 12mm Ball	5100100-012			

FIG. & ITEM NO.	DESCRIPTION	VENDOR PART NO.	DEC PART NO.	USED ON CODE	REF FIG NO.
3-					
41	**Retaining Ring, External	4500401-046			
42	**Shaft, Bracket, Preload	6000189			
43	*Washer, Flat No. 4	4200000-004			
44	*Washer, Split Lock No. 1/4	4200003-025			
45	*Washer, Flat No. 1/4	4200000-025			
46	*PULLEY ASSEMBLY, DOUBLE IDLER	6000204-999			
47	**Pulley, Idler Cable	6000151			
48	**Screw, Hex Socket Head Cap	4000208-006			
49	**Bearing, 12mm Ball	5100100-012			
50	**Shaft, Idler Bracket	6000200			
51	**Bracket, Idler Pulley, Double	6000180			
52	**Washer, Split Lock No. 8	4200003-008			
53	**Washer, Special	6000049			
54	*Cable Assembly, Ground	3100191-001			
55	*Spring, Extension	4700014			
56	*Clip, EMI	4300006			
57	*Spring, Preload	4700000			
58	*Bearing, Linear	6000069			
59	*Washer, Split Lock	4200003-004			
60	*Module, Optical Interrupt Sensor		29-26573-00		
61	*Bracket, Sensor, Horizontal	6000153			
62	*Screw, Hex Socket Hd No. 4-40 x 1/4	4000204-004			
63	*Clamp, Belt	6000220			
64	*Sensor, Flag	6000154-001			
65	*CARRIAGE WAY ASSEMBLY, LOWER	6001490-001			
66	**Carriage Way	6001486-001			
67	**Stiffener	6001488-001			
68	*Spacer, Gear Cover	4200053-001			
69	*Screw, Phi Pan Hd	4000108-028			
70	*Belt, Vertical Drive Timing 47-1/4" Lng		29-26552-00		
71	*COUNTERWEIGHT ASSEMBLY	6001564-001			
72	**Counterweight	6001560-001			
73	**Plate, Belt Clamp	6001561-001			
74	**Bearing, Counterweight	6000117			
75	**Screw, Hex Socket Button Hd	4000408-008			
76	**Screw, Hex Socket Cap No. 8-32 x 1/2	4000208-008			
77	*Clamp, Flat Cable	1616022-004			
78	*Screw, Phi Flat Hd No. 8-32 3/8	4000908-006			
79	*Bracket, Horizontal Carriage	6001592-001			
80	*Clamp, Flat Cable	1616026-003			
81	*Bracket, Vertical Carriage	6001591-001			
82	*Plate, Cable Adjust	6001532-001			
83	*Harness Assembly, Service Switch 5' ISI	3100353-001	29-TBA		

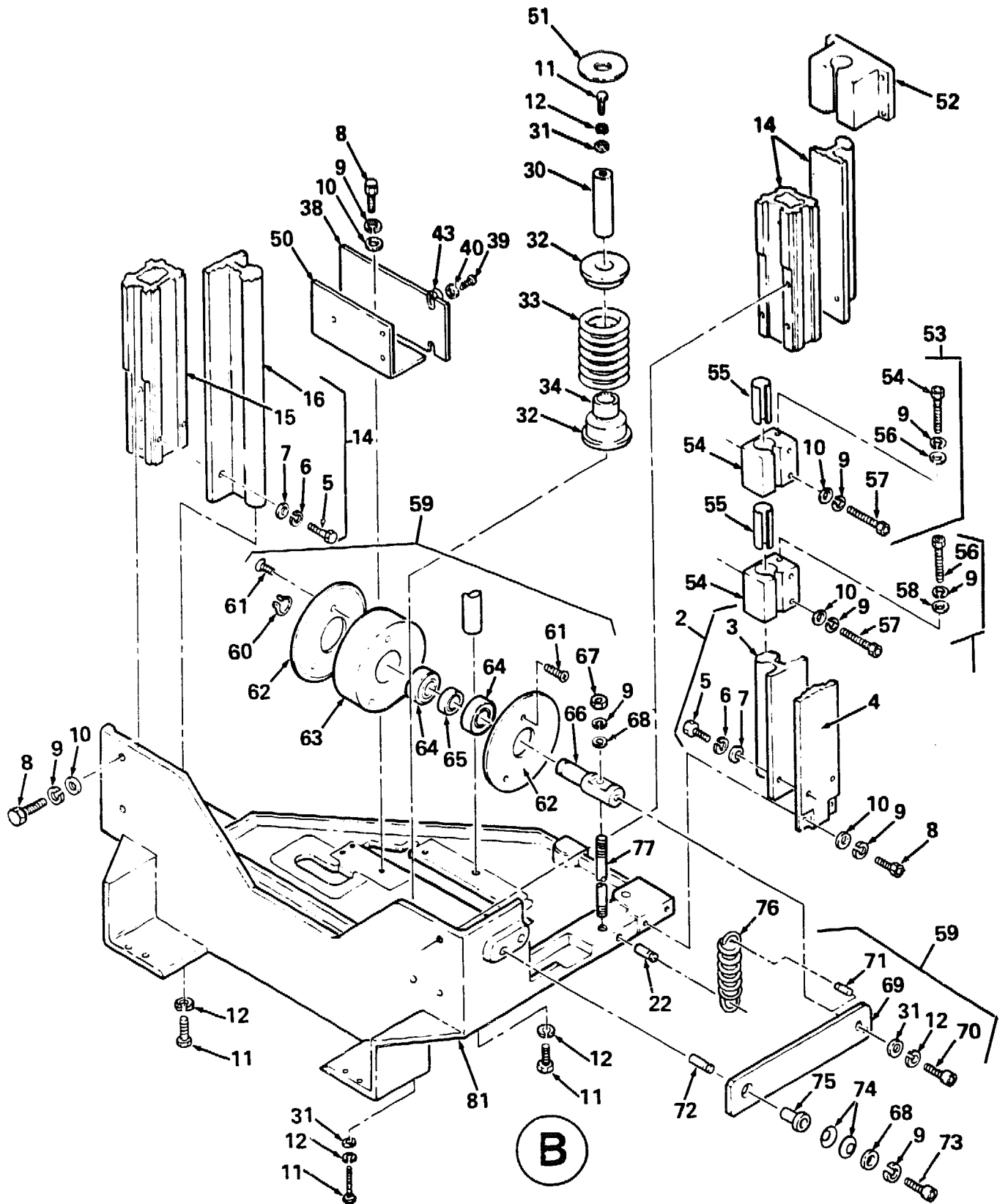
FIG. & ITEM NO.	DESCRIPTION	VENDOR PART NO.	DEC PART NO.	USED ON CODE	REF FIG NO.
3-					
84	*Housing, Service Switch	6001590-001			
85	*Switch, Emergency Stop, Aux. Power		29-27256-01		
86	*Cover, Switch	6000238			
87	*Strain Relief, Liquid Tight	1616013-003			
88	*CARRIAGE WAY ASSEMBLY, UPPER	6001489-001			
89	**Carriage Way	6001486-001			
90	**Stiffener	6001485-001			
91	*Screw, Hex Soc Cap No. 1/4-20 x 1-3/4	4000225-028			
92	*Nut, Hex No. 1/4-20	4100000-025			
93	*Shim, Carriage Way	6000242			
94	*Standoff, Round, Unthreaded	4200049-001			
95	*Housing, Lower Switch	6000240-001			
96	*Housing, Lower Switch	6000240-002			
97	*Housing, Switch Box	6000241			
98	*Switch, Rear Door Interlock		29-26577-00		
99	*Crank, Spring Extension	6001547-001			
100	*Screw, Spring Extension	6001549-001			
101	*Nut, Low Crown No. 3/8-16	4100026-038			
102	*Washer, Flat No. 3/8	4200000-038			
103	*Anchor, Spring Extension	6001545-001			
104	*Bracket, Spring Extension	6001546-001			
105	*Screw, Flat Hd No. 10-24 x 3/8	4000910-006			
106	*Arm, Pivot	6000186			
107	*Screw, Shoulder	4002426-008			
108	*Bearing, Nyliner	5100537-012			
109	*Spring, Cable	4700001			
110	*Shaft, Bumper	6000034			
111	*Seat, Bumper, Spring	6000035			
112	*Spring, Bumper	6000020			
113	*Stop, Bumper	6000054			
114	*Pad, Bumper Shock	6000093			
115	*CARRIAGE ASSEMBLY, PIVOT	6000103-999			7
116	*Guide, Ribbon Cable	6000203			
117	*Shim, 0.010 Inch Thick	4500004-003			
	*Shim, 0.020 Inch Thick	4500004-004			
	*Shim, 0.050 Inch Thick	4500004-005			
118	*Cover, Gear		29-27249-01		
119	*Nut, Hex	600000-008			
120	*CARRIAGE ASSEMBLY, VERTICAL	6001566-001			6

FIG. & ITEM NO.	DESCRIPTION	VENDOR PART NO.	DEC PART NO.	USED ON CODE	REF FIG NO.
3-					
121	*Button, Rectangular Push	1717009			
122	*Label, "Shock Hazard"	1414069-001			
123	*Label, "Secondary Ground"	1414012			
124	*Screw, Phi Pan Hd	4000104-004			
125	*Washer, Split Lock	4200003-004			
126	*Screw, Cap Socket Hd	4000225-016			
127	*Cover, Top	6000382-006			
128	*Door, Right Rear Transport Side	6001582-005			
129	*Lock, Fixed Cam	4900003			
130	*Door, Left Rear Transport Side	6001580-004			
131	*Gasket	1616009			
132	*Insulation	1616010			
133	*Filter	1010015			
134	*Cover, Side	6001423-006			



RV64-04-BD

Figure 4. Carriage Assembly, Horizontal (Sheet 1 of 2)



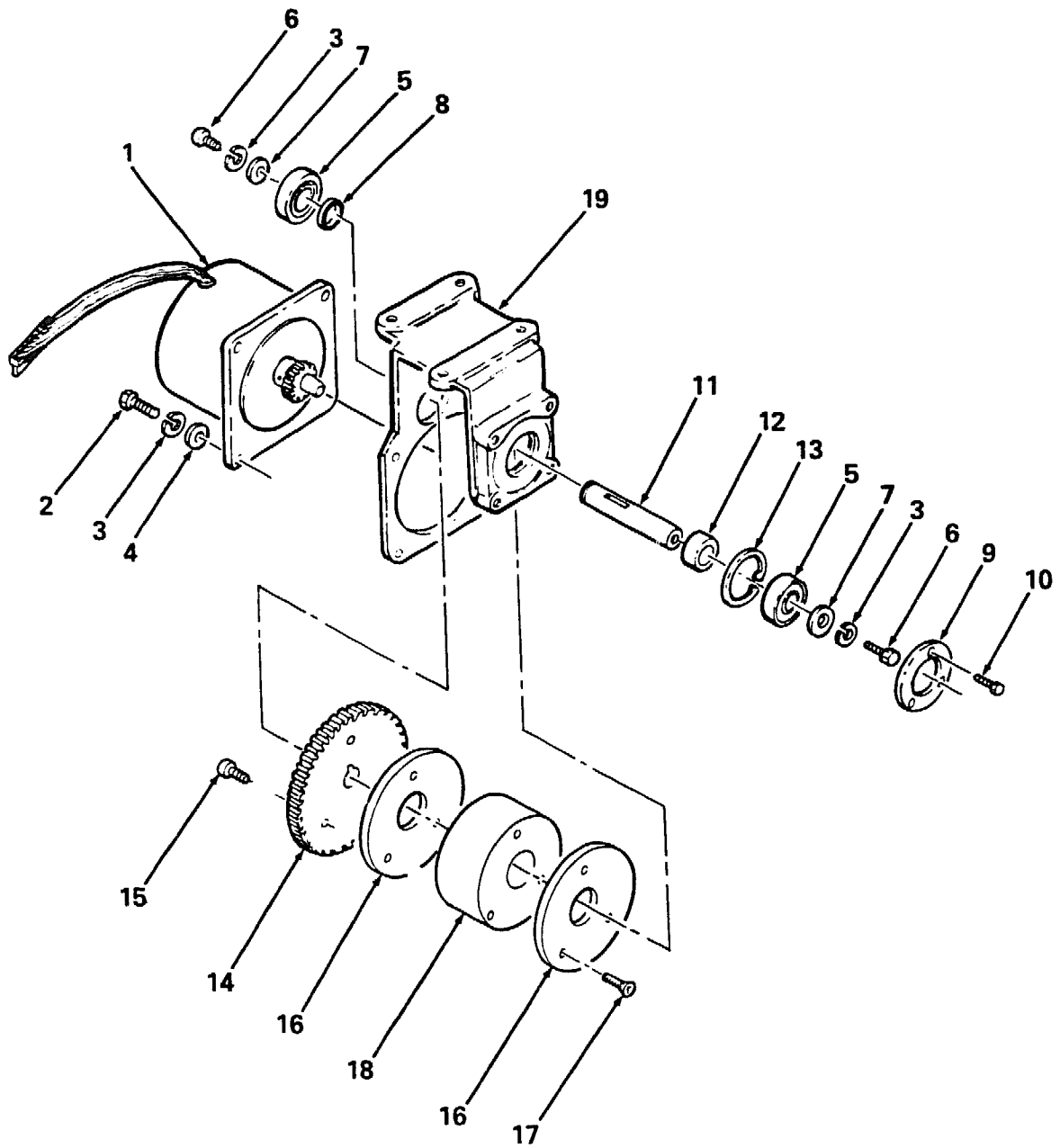
RV64-04A-BD

Figure 4. Carriage Assembly, Horizontal (Sheet 2 of 2)



FIG. & ITEM NO.	DESCRIPTION	VENDOR PART NO.	DEC PART NO.	USED ON CODE	REF FIG. NO.
4-	CARRIAGE ASSEMBLY, HORIZONTAL	6000101-999			3
1	*MOTOR ASSEMBLY, VERTICAL DRIVE	6000106-999			5
2	*CARRIAGE WAY ASSEMBLY, COUNTERWEIGHT	6000210-999			
3	**Carriage Way, Modified Vertical	6000083			
4	**Stiffener, Carriage Way	6000119			
5	**Screw, Hex Socket Cap Hd	4000206-008			
6	*Washer, Split Lock	4200003-006			
7	*Washer, Flat	4200000-006			
8	*Screw, Socket Hex Hd No. 8-32 x 1/2	4000208-008			
9	*Washer, Split Lock No. 8	4200003-008			
10	*Washer, Flat No. 8	4200000-008			
11	*Screw, Hex Socket Cap No. 1/4-20 x 3/4	4000225-0			
12	*Washer, Split Lock No. 1/4	4200003-025			
13	*Screw, Hex Socket Button Hd	4000408-012			
14	*CARRIAGE WAY ASSEMBLY, VERTICAL	6000211-999			
15	**Stiffener, Vertical Carriage Way	6000177			
16	**Carriage Way, Modified Vertical	6000083			
17	*LEVER ASSEMBLY, PIVOTED PRELOAD	6000107-999			
18	**Bearing, 12mm Ball	5100100-012			
19	**Retaining Ring, External	4500401-046			
20	**BRACKET, BEARING PRELOAD	6001467-001			
21	***Shaft, Bracket	6000189			
22	***Pin, Drive	4500306-004			
23	***Bracket, Preload	6000188			
24	*Shaft, Bearing, Preload	6000170			
25	*Retaining Ring, External	4500401-031			
26	*Pin, Drive	4500206-006			
27	*Screw, Hex Socket Flat Hd	4000825-012			
28	*Bearing, 12mm Ball	5100100-012			
29	*Shaft, Outrigger Bearing	6000171-002			
30	*Shaft, Bumper	6000034			
31	*Washer, Flat	4200000-025			
32	*Seat, Bumper Spring	6000035			
33	*Spring, Bumper	6000020			
34	*Stop, Bumper	6000054			
35	*Shaft, Anti-rotation	6000090			
36	*Sleeve, Bearing, Counterweight	6000246			
37	*Bracket, Vertical Sensor	6000031			
38	*Module, Optical Interrupt Sensor		29-26573-00		
39	*Screw, Phi Pan Hd	4000104-004			
40	*Washer, Internal Tooth	4200005-004			
41	*Module, Horizontal Distribution		29-26550-00		
42	*Washer, Split Lock No. 4	4200003-004			

FIG. & ITEM NO.	DESCRIPTION	VENDOR PART NO.	DEC PART NO.	USED ON CODE	REF FIG NO.
4-					
43	*Washer, No. 4 Flat	4200000-00			
44	*Standoff	4200104-002			
45	*Bracket, Adjustable Bumper	6000055			
46	*Screw, Hex Hd	4000325-010			
47	*Washer, Spiit Lock	4200003-025			
48	*Screw, Cup Point Set	4002010-003			
49	*Carriage, Upper Horizontal	6001455-001			
50	*Bracket, Vertical Lower Sensor	6000142			
51	*Pad, Bumper Shock	6000093			
52	*Bearing, Linear	6000069			
53	*BEARING BLOCK ASSEMBLY, UPPER	6001480-001			
54	**Block, Bearing	6001478-001			
55	*Bushing, Bearing	6001479-001			
56	*Washer, Flat	4000000-008			
57	*Screw, Hex Socket Hd Cap	4000208-020			
58	*Bearing Block Assembly	6001480-002			
59	*PULLEY ASSEMBLY, IDLER	6000208-999			
60	**Retaining Ring, External	4500401-046			
61	**Screw, Hex Socket Flat Hd	4000808-008			
62	**Flange, Pulley	6000012			
63	**Pulley, Belt, Driven	6000011			
64	**Bearing, 12mm Ball	5100100-012			
65	**Spacer	6000046-004			
66	**Shaft, Idler Pulley	6000206			
67	**Nut, Hex	4100000-008			
68	**Washer, Special	6000049			
69	**Bracket, Idler Pulley	6000207			
70	**Screw, Hex Socket Cap Hd	4000225-006			
71	**Pin, Drive, Grooved	4500306-004			
72	*Shaft, Idler Pulley	6001460-001			
73	*Screw, Hex Socket Cap Hd	4000208-006			
74	*Washer, Bellville Spring	4200003-004			
75	*Bearing, Oil Impregnated Flanged	5100450-012			
76	*Spring, Idler Pulley Extension	4700002			
77	*Rod, Stop Carriage	6000235			
78	*Harness Assembly, Horizontal Carriage	3100036			
79	*Mount, Cable Tie	1616018			
80	*Clip, Press Cable	1616027-012			
81	*Carriage Assembly, Lower Horizontal	6003080-001			



RV64-05-BD

**Figure 5. Motor Assembly, Vertical Drive**



FIG. & ITEM NO.	DESCRIPTION	VENDOR PART NO.	DEC PART NO.	USED ON CODE	REF FIG NO.
5-	MOTOR ASSEMBLY, VERTICAL DRIVE	6000106-999			4
1	*Motor, Vertical Stepper PM		29-26547-00		
2	*Screw, Socket Hex Hd No. 8-32 x 3/4	4000208-008			
3	*Washer, No. 8 Split Lock	4200003-008			
4	*Washer, No. 8 Flat	4200000-008			
5	*Bearing, 12 mm Ball	5100100-012			
6	*Screw, Flat Hd Hex No. 8-32 X 3/8	4000208-006			
7	*Washer, Special	6000049			
8	*Spacer, Drive	6000046-001			
9	*Plate, Bearing Clamp	6000044			
10	*Screw, Hex Socket Flat Hd	4000804-006			
11	*Shaft, Vertical Drive	6000045			
12	*Spacer, Drive	6000046-011			
13	*Retaining Ring, Internal	4500400-112			
14	*Gear, Drive	6000024			
15	*Screw, Hex Socket Flat Hd	4000808-014			
16	*Flange, Pulley	6000012			
17	*Screw, Hex Socket Flat Hd	4000808-008			
18	*Pulley, Drive Belt	6000058			
19	*Mount, Vertical Motor	6000135			

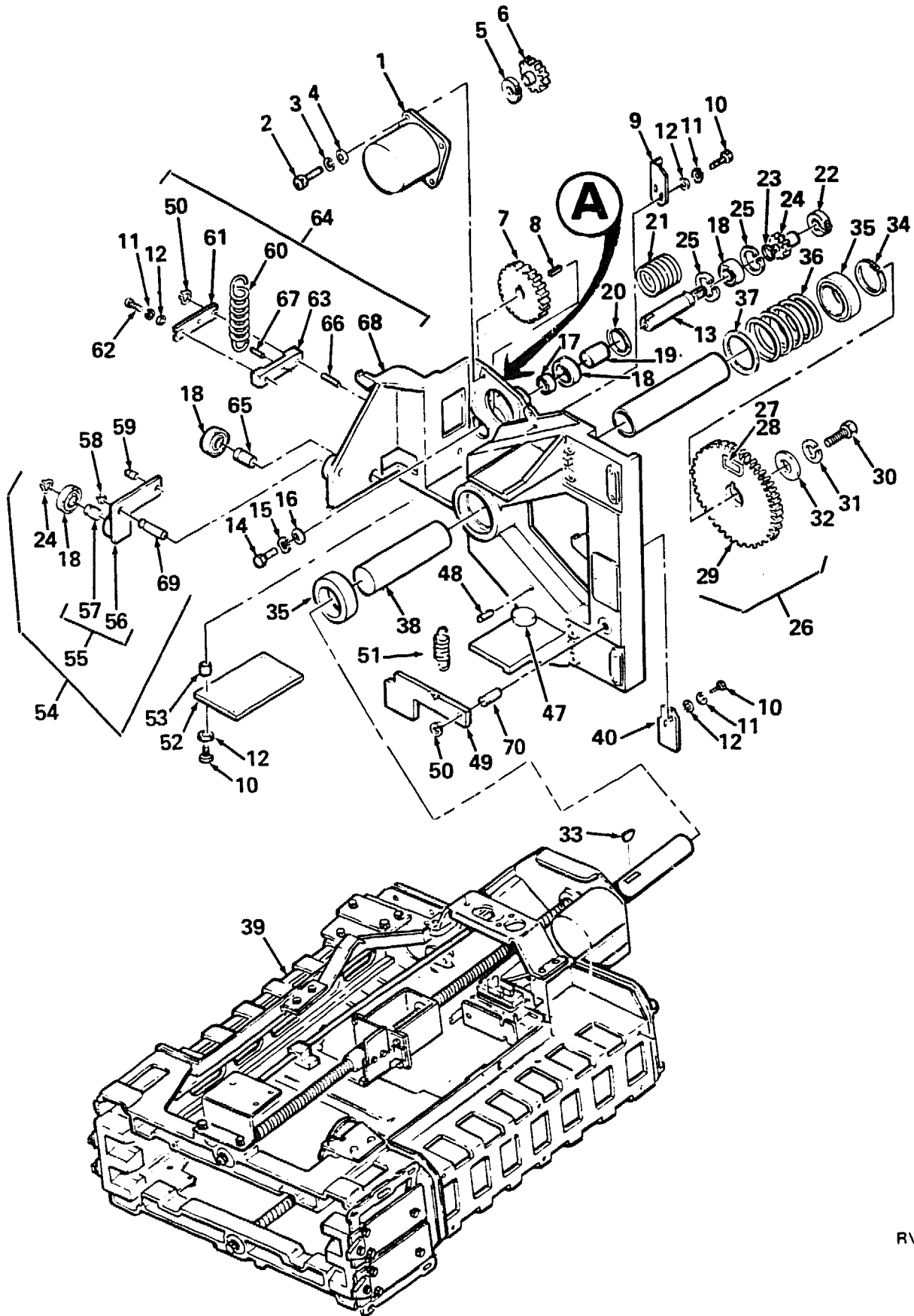
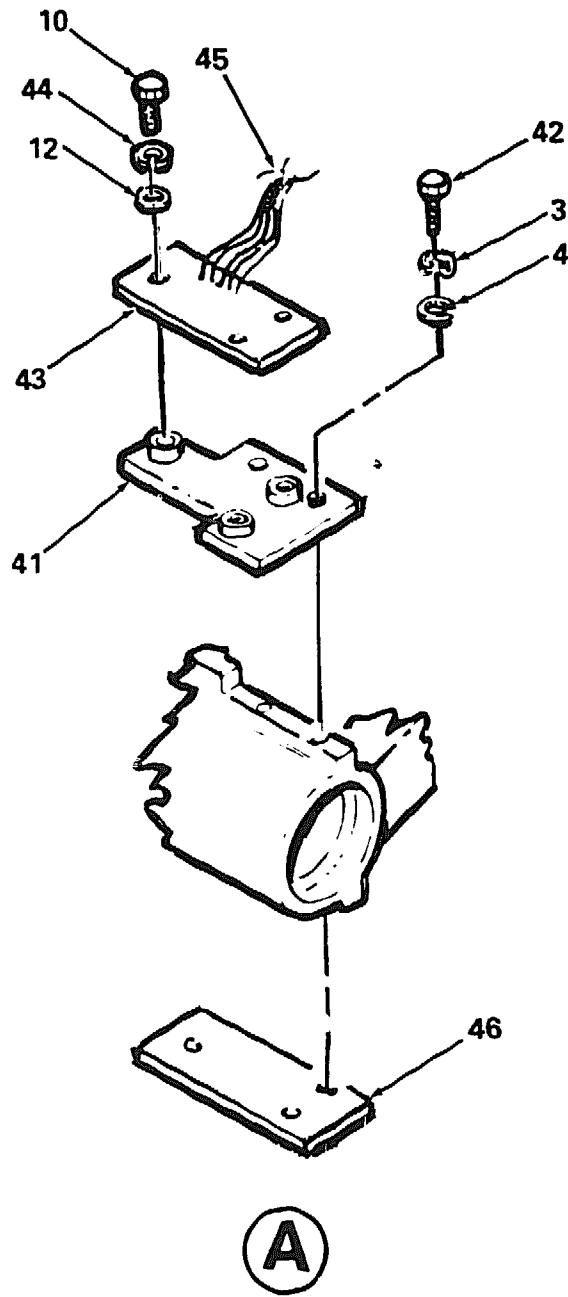


Figure 6. Carriage Assembly, Vertical (Sheet 1 of 2)

RV64-06-BD



RV64-06A-BD

Figure 6. Carriage Assembly, Vertical (Sheet 2 of 2)

FIG. & ITEM NO.	DESCRIPTION	VENDOR PART NO.	DEC PART NO.	USED ON CODE	REF FIG NO.
6-	CARRIAGE ASSEMBLY, VERTICAL	6001566-001			3
1	*Motor Assembly, Pivot Stepper		29-26568-00		
2	*Screw, Hex Hd Socket Cap No. 8-32 x 1/2	4000208-008			
3	*Washer, Split Lock No. 8	4200003-008			
4	*Washer, Regular No. 8	4200000-008			
5	*Clamp, Split Type	4300103			
6	*Gear, Anti-backlash Pinion		29-26545-00		
7	*Gear, Intermediate Pivot Carriage		29-26541-00		
8	*Key, Square Pivot Carriage	6000218	29- TBA		
9	*Flag, Vertical, Lower	6000124			
10	*Screw, Hex Hd Socket Cap No. 4-40 x 1/4	4000204-004			
11	*Washer, Split Lock No. 4	4200003-004			
12	*Washer, Regular No. 4	4200000-004			
13	*Shaft, Intermediate	6000096			
14	*Screw, Hex Hd Socket Cap No. 1/4-20 x 1/2	4000225-00			
15	*Washer, Split Lock No. 1/4	4200003-025			
16	*Washer, Regular No. 1/4	4200000-025			
17	*Spacer, Drive	6000046-003			
18	*Bearing, 12 mm Ball	5100100-012			
19	*Spacer, Driver	6000046-005			
20	*Washer, Bearing	4200027			
21	*Spring, Compression	4700007			
22	*Clamp, Split Type	4300024-003			
23	*Retaining Ring, External	4500401-046			
24	*Gear, Anti-backlash Pinion		29-26543-00		
25	*Retaining Ring, Internal	4500400-112			
26	*GEAR ASSEMBLY, PIVOT CARRIAGE	6001459-001			
27	**Flag, Reflective Foil	6000121			
28	**Mask, Sensor Pivot Carriage	6000087			
29	**Gear, Pivot Carriage Main		29-26542-00		
30	*Screw, Hex Hd No. 5/16-18 x 1	4001331-016			
31	*Washer, Split Lock No. 5/16	4200003-031			
32	*Washer, Special, Gear	6000156			
33	*Key, Woodruff		29-27252-01		
34	*Spacer, Gear Pivot Carriage	6000164-002			
35	*Bearing, Ball 25 mm	5100100-025			
36	*Spring, Preload	6000019			
37	*Retainer, Spring	6000163			
38	*Spacer, Gear Pivot Carriage	6000164-003			
39	*CARRIAGE ASSEMBLY, PIVOT	6000103-999			7
40	*Flag, Upper Vertical	6000123			
41	*Bracket, Sensor Pivot Carriage	6000120-001			

FIG. & ITEM NO.	DESCRIPTION	VENDOR PART NO.	DEC PART NO.	USED ON CODE	REF FIG NO.
6-					
42	*Screw, Hex Socket Hd Cap No. 8-32 x 1/2	4000208-008			
43	*Sensor Assembly, Reflective Object		29-26565-00		
44	*Washer, Internal Tooth No. 4	4200005-004			
45	*Harness Assembly, Pivot Sensor		29-26559-00		
46	*Bracket, Sensor Pivot Carriage	6000120-002			
47	*Foot, Bump On	5300002			
48	*Pin, Drive	4500204-004			
49	*Lever, Stop Pivot Carriage, Right	6000078			
50	*Retaining Ring, External	4500401-025			
51	*Spring, Stop	6000018			
52	*Module, Vertical Carriage Interconnect		29-26551-00		
53	*Standoff	4200104-002			
54	*LEVER ASSEMBLY, PIVOTED PRELOAD	6000107-999			
55	**Bracket, Bearing Preload	6001467-001			
56	**Bracket, Preload	6000188			
57	**Shaft, Preload Bracket	6000189			
58	**Retaining Ring, External	4500401-031			
59	**Pin, Drive	4500306-004			
60	*Spring, Stop	6000018			
61	*Plate, Lever	6000152			
62	*Screw, Hex Socket Hd Cap No. 4-40 x 3/8	4000204-006			
63	*Lever, Stop, Pivot Carriage, Left	6000079			
64	*PIN INSTALLATION, VERTICAL CARRIAGE	6001565-001			
65	**Bearing, Shaft-Outrigger	6000171			
66	**Shaft, Stop Lever	6000172-001			
67	**Pin, Drive	4500206-005			
68	**Carriage, Vertical	6001562-001			
69	**Shaft, Bearing Preload	6000170			
70	**Shaft, Stop Lever	6000172-002			

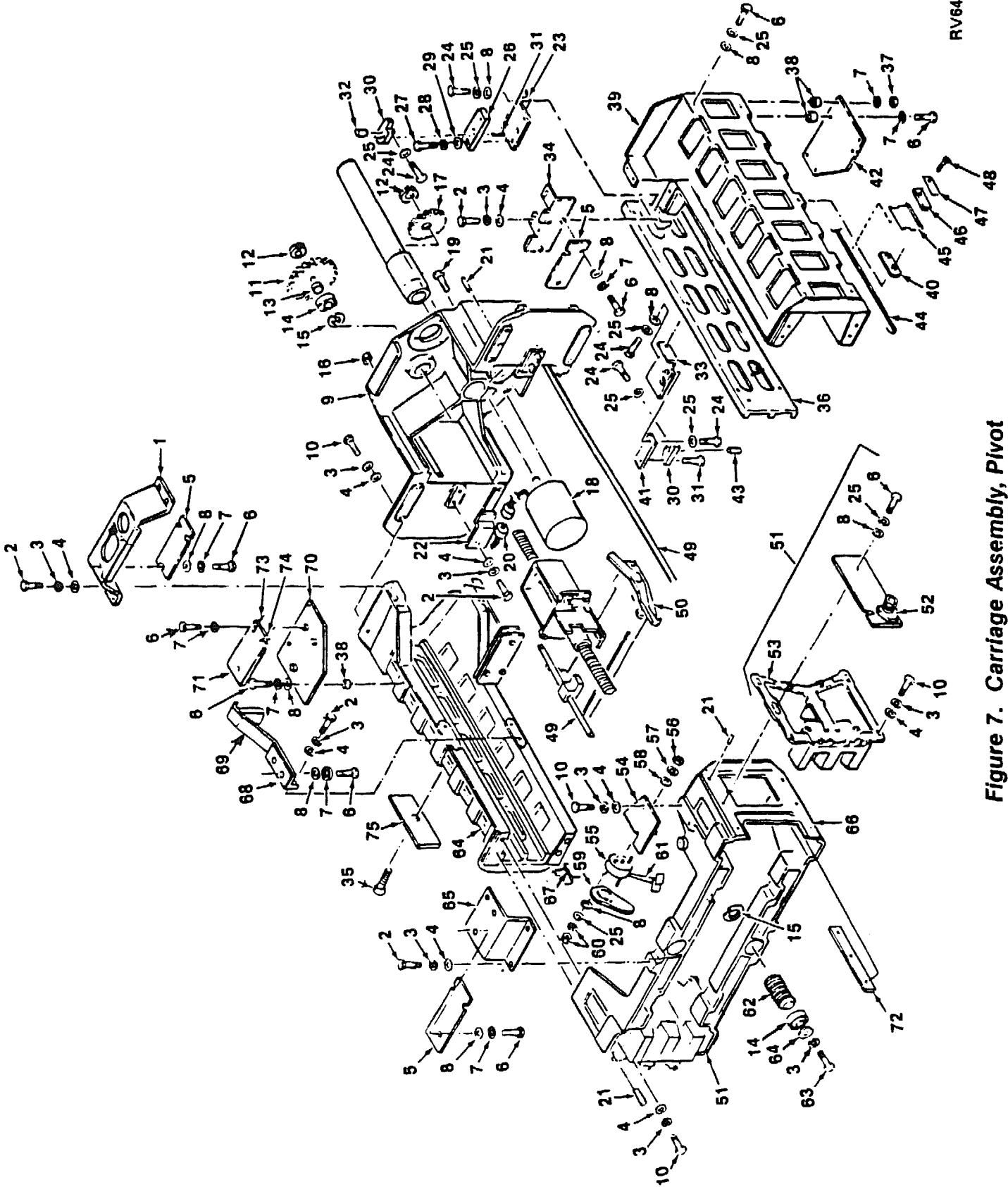
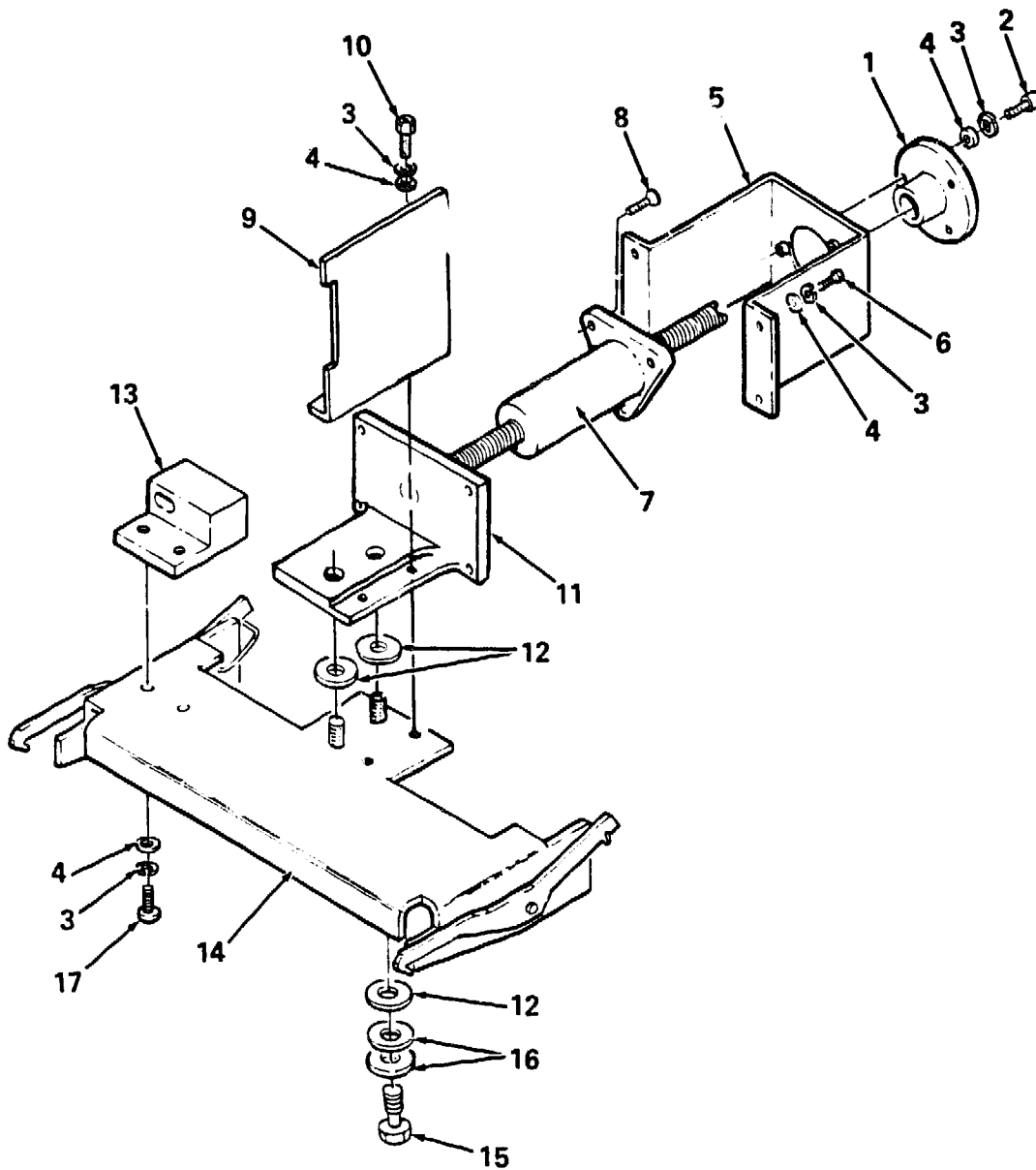


Figure 7. Carriage Assembly, Pivot

FIG. & ITEM NO.	DESCRIPTION	VENDOR PART NO.	DEC PART NO.	USED ON CODE	REF FIG NO.
7-	CARRIAGE ASSEMBLY, PIVOT	6000103-999			3, 6
1	*Bracket, Rear Sensor	6000065			
2	*Screw, Hex Socket Hd No. 8-32 x 3/8	4000208-006			
3	*Washer, Split Lock No. 8	4200003-008			
4	*Washer, Flat No. 8	4200000-008			
5	*Module, Optical Interrupt Sensor		29-26573-00		
6	*Screw, Hex Socket Hd No. 4-40 x 1/4	4000204-004			
7	*Washer, Internal Tooth	4200005-004			
8	*Washer, Flat	4200000-004			
9	*Frame, Rear Pivot Carriage	6000129			
10	*Screw, Hex Socket Hd No. 8-32 x 1/2	4000208-008			
11	*Gear w/Hub Assembly	5000007-001			
12	*Collar, Split Type	4300024-003			
13	*Spacer, Gear	6000095			
14	*Bearing, 8 mm Ball	5100100-008			
15	*Retaining Ring, Internal	4500400-086			
16	*Nut, Hex	4100000-008			
17	*Gear, Motor, w/Hub	5000232-053			
18	*Motor, Variable Reluctance Gripper Stepper		29-26567-00		
19	*Screw, Flat Hex Hd Socket No. 6-32 x 1/2	4000806-008			
20	*Harness Assembly, Gripper 2		29-26561-00		
21	*Pin, Dowel	4500104-007			
22	*Bracket, E.O.T. Gripper Assembly	6001493-001			
23	*Bracket, Sensor Emitter	6000198			
24	*Screw, Hex Socket Hd No. 4-40 x 3/8	4000204-006			
25	*Washer, Split Lock	4200003-004			
26	*Plate, Sensor Mounting	6000230			
27	*Screw, Phi Pan Hd No. 6-32 x 1/2	4000106-008			
28	*Washer, Split Lock	4200003-006			
29	*Washer, Flat	4200000-006			
30	*Clamp, Sensor	6000229			
31	*Screw, Hex Socket Hd No. 4-40 x 1/2	4000804-008			
32	*Sensor Assembly, Long Range Photo Transistor		29-26621-00		
33	*Bracket, Sensor Detector	6000199			
34	*Bracket, Sensor Cartridge Present	6000080			
35	*Screw, Phi Flat Hd	4003808-004			
36	*Guide, Rear Cartridge	6000181			

FIG. & ITEM NO.	DESCRIPTION	VENDOR PART NO.	DEC PART NO.	USED ON CODE	REF FIG NO.
7-					
37	*Nut, Hex No.4-40	4100000-004			
38	*Standoff	4200104-002			
39	*Frame, Side Pivot Carriage	6001482-001			
40	*Nut, Plate	6000432			
41	*Plate, Sensor Mounting	6000230			
42	*Module, Side Frame Interconnect		29-26553-00		
43	*Sensor, Long Range Infrared		29-26620-00		
44	*Harness Assembly, Gripper 1 Aligned		29-26560-00		
45	*Guide, Ribbon Cable	6000203			
46	*Clamp, Base Cable	4300007-001			
47	*Clamp, Cover Cable	4300008-001			
48	*Screw, Phi Flat Hd No.8-32 x 1/4	4000908-004			
49	*Rod, Anti-rotation Gripper	6000073			
50	*GRIPPER ASSEMBLY	6000104-999			8
51	*Guide, Front Assembly Cartridge	6000109-999			
52	*Module, Reflective Object Sensor		29-26565-00		
53	*Guide, Front Cartridge	6000174			
54	*Bracket, Solenoid Mount	6000075			
55	*Solenoid Assembly, Gripper		29-26622-00		
56	*Nut, Coarse Hex No.3/48	4100000-003			
57	*Washer, Split Lock No. 3	4200003-003			
58	*Washer, Flat No. 3	4200000-003			
59	*Cam, Solenoid	6000264			
60	*Nut, Hex No. 4-40	4100000-004			
61	*Harness Assembly, Solenoid	3100268-001			
62	*Washer, Belleville Spring	4200014			
63	*Screw, Phi Pan Hd No. 8-32 x 3/8 x 1	4000108-006			
64	*Washer, Special	6000049			
65	*Bracket, Front Sensor Assembly	6000064			
66	*Frame, Front Pivot Carriage	6001483-001			
67	*Harness Assembly, Gripper 1 Right		29-26562-00		
68	*Bracket, Cartridge Present Flag	6000082			
69	*Flag, Cartridge Present	6000081			
70	*Plate, 2-Sided Sensor	6000228			
71	*Module, Optical Input Sensor		29-26563-00		
72	*Nutplate Assembly, Front Guide	6000243			
73	*Extension Harness, SS/DS Sensor	3100134-999			
74	*Harness Assembly, SS/DS Sensor	3100142			
75	*Guard, Cable	6001434			

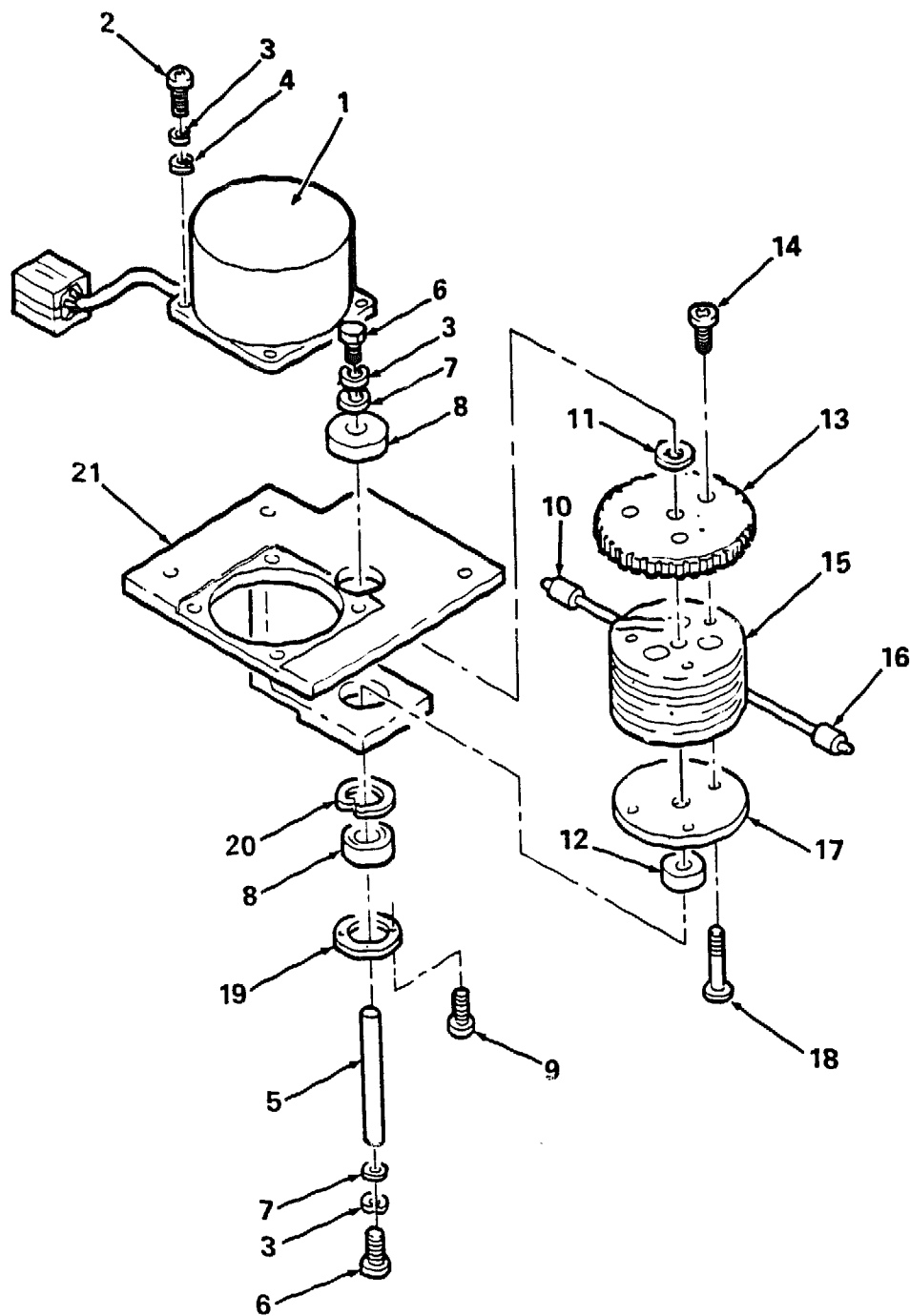


RV64-08-BD

Figure 8. Gripper Assembly



FIG. & ITEM NO.	DESCRIPTION	VENDOR PART NO.	DEC PART NO.	USED ON CODE	REF FIG NO.
8-	GRIPPER ASSEMBLY	6000104-999			7
1	*Bearing, Lead Screw Support	6000224			
2	*Screw, Hex Socket Hd Cap	4000204-008			
3	*Washer, Split Lock No. 4	4200003-004			
4	*Washer, Flat	4200001-004			
5	*Bracket, Bearing Lead Screw	6000223			
6	*Screw, Hex Socket Hd Cap	4000204-006			
7	*Lead Screw Assembly	6000236			
8	*Screw, Flat Socket Hd	4000806-006			
9	*Flag, Gripper	6001419-001			
10	*Screw, Hex Socket Hd Cap No. 4-40 x 1/4	4000204-004			
11	*Mount, Lead Screw	6001420-001			
12	*Washer, Thrust	4200017			
13	*Guide, Gripper Anti-rotation	6000276			
14	*Latch Assembly, Gripper		29-26574-00		
15	*Screw, Gripper Bracket Shoulder	6000076			
16	*Spring, Curved Washer	4200015			
17	*Screw, Phi Pan Hd	4000104-005			



RV64-09-BD

Figure 9. Motor Assembly, Horizontal Stepper

FIG. & ITEM NO.	DESCRIPTION	VENDOR PART NO.	DEC PART NO.	USED ON CODE	REF FIG NO.
9-	MOTOR ASSEMBLY, HORIZONTAL DRIVE STEPPER	6000182-999			3
1	*Motor, Horizontal Drive Stepper		29-26549-00		
2	*Screw, Hex Socket Hd Cap No. 8-32 x 1/2	4000208-008			
3	*Washer, Splt Lock No. 8	4200003-008			
4	*Washer, Flat No. 8	4200000-008			
5	*Shaft, Horizontal Drive	6000143			
6	*Screw, Hex Socket Cap Hd No.8-32 x 3/8	4000208-006			
7	*Washer, Special	6000049			
8	*Bearing, 12 mm Bail	5100100-012			
9	*Screw, Flat Hd Hex Socket No. 4-40 x 1/2	4000804-008			
10	*Cable Assembly, Horizontal Carriage (Left)	6000194-004			
11	*Spacer, Drive	6000046-006			
12	*Spacer, Drive	6000046-007			
13	*Gear, Drive	6000024			
14	*Screw, Flat Hd Hex Socket	4000808-014			
15	*Pulley, Drive	6000150			
16	*Cable Assembly, Horizontal Carriage (Right)	6000194-003			
17	*Flange, Pulley	6000012			
18	*Screw, Flat Hd Hex Socket	4000808-008			
19	*Plate, Bearing, Clamp	6000044			
20	*Retaining Ring, Internal	4500400-112			
21	*Mount, Horizontal Motor	6000146			

PART NUMBER/DESCRIPTION SORT



**INDEX BY DEC PART NUMBER**  
**RV64 OPTICAL LIBRARY**

PART NO.	DESCRIPTION	FIG NO.	ITEM NO.
0707051-001	Filter, EMI Line	2	114
0808057	Socket Kit, Jack No. 4-40	2	120
0808097	Socket Assembly, Jack No. 4-40	2	121
0808212	Tab, Receptacle	2	122
1010015	Filter	3	133
1414010	Label, "Shock Hazard"	2	73
1414011	Label, "Primary Ground"	2	113
1414012	Label, "Ground, Secondary"	2	50
1414012	Label, "Secondary Ground"	3	123
1414016-000	Number, Storage Slot 0	2	79
1414016-001	Number, Storage Slot 1	2	79
1414016-002	Number, Storage Slot 2	2	79
1414016-003	Number, Storage Slot 3	2	79
1414016-005	Number, Storage Slot 5	2	79
1414028-000	Label, "ODU Position - 0"	2	35
1414028-001	Label, "ODU Position - 1"	2	36
1414028-002	Label, "ODU Position - 2"	2	37
1414028-003	Label, "ODU Position - 3"	2	38
1414053-001	Label, "OSAR Interconnect, J101"	2	141
1414053-002	Label, "OSAR Interconnect, J102"	2	144
1414053-004	Label, "OSAR Interconnect, J104"	2	140
1414053-005	Label, "OSAR Interconnect, J105"	2	139
1414053-006	Label, "OSAR Interconnect, J106"	2	138
1414053-007	Label, "OSAR Interconnect, J107"	2	137
1414054-001	Label, "OSAR Interconnect, Emer. Stop"	2	142
1414055-001	Label, "OSAR Interconnect, Interlock"	2	143
1414069-001	Label, "Shock Hazard"	3	122
1515000	Primer, Loctite	2	7
1515006	Loctite	2	6
1616003-001	Tie, Self Locking Cable	2	124
1616009	Gasket	3	131
1616010	Insulation	3	132
1616013-003	Strain Relief, Liquid Tight	3	87
1616013-003	Connector, Liquid Tight	2	110
1616016-009	Grommet, Round	2	10
1616018	Mount, Cable Tie	4	79
1616018	Mount, Adhesive Cable Tie	2	125
1616021-001	Grommet, Nylon Flexible	2	88
1616021-001	Grommet, Flexible	2	78
1616022-003	Mount, Flat Cable	2	99
1616022-004	Clamp, Flat Cable	3	77
1616026-003	Clamp, Flat Cable	3	80
1616027-012	Clip, Press Cable	4	80
1717008	Guides, Card	2	92
1717009	Button, Rectangular Push	3	121
29-26541-00	Gear, Intermediate Pivot Carriage	6	7
29-26542-00	Gear, Pivot Carriage Main	6	29
29-26543-00	Gear, Anti-backlash Pinion	6	24
29-26545-00	Gear, Anti-backlash Pinion	6	6
29-26547-00	Motor, Vertical Stepper PM	5	1

**INDEX BY DEC PART NUMBER**  
**RV64 OPTICAL LIBRARY**

PART NO.	DESCRIPTION	FIG NO.	ITEM NO.
29-26549-00	Motor, Horizontal Drive Stepper	9	1
29-26550-00	Module, Horizontal Distribution	4	41
29-26551-00	Module, Vertical Carriage Interconnect	6	52
29-26552-00	Belt, Vertical Drive Timing 47-1/4" Lng	3	70
29-26553-00	Module, Side Frame Interconnect	7	42
29-26554-00	Control Panel Assembly	2	82
29-26555-00	Cable Assembly, Gripper Motor	3	35
29-26556-00	Cable Assembly, Front Panel	2	95
29-26557-00	Harness Assembly, Horizontal Sensor	2	Not Shown
29-26558-00	Harness Assembly, Frame	3	24
29-26559-00	Harness Assembly, Pivot Sensor	6	45
29-26560-00	Harness Assembly, Gripper 1 Aligned	7	44
29-26561-00	Harness Assembly, Gripper 2	7	20
29-26562-00	Harness Assembly, Gripper 1 Right	7	67
29-26563-00	Module, Optical Input Sensor	7	71
29-26564-00	Module, Cart In Place Sensor	2	129
29-26565-00	Sensor Assembly, Reflective Object	6	43
29-26565-00	Module, Reflective Object Sensor	7	52
29-26567-00	Motor, Variable Reluctance Gripper Stepper	7	18
29-26568-00	Motor Assembly, Pivot Stepper	6	1
29-26572-00	Detent Solenoid Assembly	2	80
29-26573-00	Module, Optical Interrupt Sensor	7	5
29-26573-00	Module, Optical Interrupt Sensor	4	38
29-26573-00	Module, Optical Interrupt Sensor	3	60
29-26574-00	Latch Assembly, Gripper	8	14
29-26576-00	Capacitor, Electro, 12000MF, 40V	2	23B
29-26577-00	Switch, Rear Door Interlock	3	98
29-26584-00	Power Supply Assembly (5V)	2	62
29-26585-00	Power Supply Assembly, 24V	2	23A
29-26586-00	Module, Serial I/O RS232	2	131
29-26587-00	Meter, Time Lapse	2	145
29-26588-00	Backplane, PCB	2	147
29-26620-00	Sensor, Long Range Infrared	7	43
29-26621-00	Sensor Assembly, Long Range PhotoTransistor	7	32
29-26622-00	Solenoid Assembly, Gripper	7	55
29-26623-00	Solenoid Assembly, Door Lock	2	81
29-27243-01	Power Management Box	2	44
29-27245-01	Cable Assembly, Vertical Distribution	3	9
29-27246-01	Cable Assembly, Gripper Sensor	3	36
29-27247-01	Cable Assembly, Gripper Sensor	2	77
29-27248-01	Jumper, P33	2	96
29-27249-01	Cover, Gear	3	118
29-27252-01	Key, Woodruff	6	33
29-27254-01	Cable Assembly, Pivot Carriage Gripper	2	76
29-27256-01	Switch, Emergency Stop, Aux. Power	3	85
29-27423-01	Counter Assembly, Insertion	2	69
29-27497-01	Cable, ISI 5 Ft Right Angle	1	Not Shown
29-27498-01	Springs (6), Sensor Flag	2	83
29-27499-01	Cable, 40 Ft RS232 Host	1	Not Shown
29-27566-00	Fan, w/Connector Ball Bearing 24V DC	2	146
30-27245-01	Optical Library w/o Drives (120V)	1	1
30-27245-02	Optical Library w/o Drives (240V)	1	1

**INDEX BY DEC PART NUMBER**  
**RV64 OPTICAL LIBRARY**

PART NO.	DESCRIPTION	FIG NO.	ITEM NO.
3100036	Harness Assembly, Horizontal Carriage	4	78
3100043	Harness Assembly, Input Station	2	9
3100044	Harness Assembly, Bulkhead	2	84
3100064	Cable Assembly, Serial I/O	2	97
3100070	Cable Assembly, Horizontal Carriage	2	74
3100094-999	Harness Assembly, Terminal Block	2	119
3100128	Harness Assembly, Power	3	37
3100134-999	Extension Harness, SS/DS Sensor	7	73
3100142	Harness Assembly, SS/DS Sensor	7	74
3100145-001	Harness Assembly, Front Panel	2	85
3100146-001	Harness Assembly, Interlock	2	86
3100147-001	Harness Assembly, Emergency Stop	2	87
3100151-999	Harness Assembly, I/L Solenoid	2	11
3100156	Cable Assembly, Vertical Motor	3	8
3100157-999	Cable Assembly, Vertical Motor	2	75
3100159-999	Harness Assembly, Solenoid Ext	2	104
3100160-999	Harness Assembly, Power Switch	2	105
3100191	Cable, Ground	2	51
3100191-001	Cable Assembly, Ground	3	54
3100268-001	Harness Assembly, Solenoid	7	61
3100277-001	Cable Assembly, JB ODU	2	100
3100284-001	Harness Assembly, ODU - Solenoid	2	101
3100285-001	Harness Assembly, ODU	2	45
3100307-001	Harness Assembly, 5V Power Supply	2	63
3100308-001	Harness Assembly, Power Supply (24V)	2	93
3100311-001	Harness Assembly, Long Range Sensor	2	12
3100312-001	Harness Assembly, Cart. In Place	2	102
3100344-001	Harness Assembly, Receptacle	2	115
3100351-001	Harness Assembly, Line Filter	2	109
3100353-001	Harness Assembly, Service Switch 5' ISI	3	83
3100354-001	Harness Assembly, Power Mgt Bulkhead	2	94
4000000-008	Washer, Flat	4	56
4000104-004	Screw, Hex Socket Cap No. 4-40 x 1/4	3	14
4000104-004	Screw, Phi Pan Hd	4	39
4000104-004	Screw, Phi Pan Hd	3	124
4000104-005	Screw, Phi Pan Hd	8	17
4000106-005	Screw, Phi Pan Hd No. 6-32 x 5/16	2	116
4000106-008	Screw, Phi Pan Hd No. 6-32 x 1/2	7	27
4000108-004	Screw, Phi Pan Hd	3	13
4000108-006	Screw, Phi Pan Hd No. 8-32 x 3/8 x 1	7	63
4000108-006	Screw, Phi Pan Hd No. 8-32 x 3/8	3	20
4000108-006	Screw, Phi Pan Hd No. 8-32 x 3/8	2	26
4000108-008	Screw, Phi Pan Hd No. 8-32 x 3/8	2	98
4000108-028	Screw, Phi Pan Hd	3	69
4000108-032	Screw, Phi Pan Hd	3	5
4000108-032	Screw, Phi Pan Hd No. 8-32 x 2	2	58
4000204-004	Screw, Hex Socket Hd No. 4-40 x 1/4	7	6
4000204-004	Screw, Hex Hd Socket Cap No. 4-40 x 1/4	6	10
4000204-004	Screw, Hex Socket Hd Cap No. 4-40 x 1/4	8	10
4000204-004	Screw, Hex Socket Cap No. 4-40 x 1/4	2	126
4000204-004	Screw, Hex Socket Hd No. 4-40 x 1/4	3	62
4000204-006	Screw, Hex Socket Hd Cap	8	6
4000204-006	Screw, Hex Socket Hd Cap No. 4-40 x 3/8	6	62
4000204-006	Screw, Hex Socket Hd No. 4-40 x 3/8	7	24

**INDEX BY DEC PART NUMBER**  
**RV64 OPTICAL LIBRARY**

PART NO.	DESCRIPTION	FIG NO.	ITEM NO.
4000204-008	Screw, Hex Socket Hd Cap	8	2
4000206-008	Screw, Hex Socket Cap Hd	4	5
4000208	Screw, Hex Socket Cap No. 8-32 x 3/8	2	66
4000208-006	Screw, Hex Socket Cap Hd No.8-32 x 3/8	9	6
4000208-006	Screw, Hex Socket Hd No. 8-32 x 3/8	7	2
4000208-006	Screw, Flat Hd Hex No. 8-32 X 3/8	5	6
4000208-006	Screw, Hex Socket Cap Hd	4	73
4000208-006	Screw,Hex Socket Head Cap	3	48
4000208-008	Screw, Hex Socket Hd Cap No. 8-32 x 1/2	6	42
4000208-008	Screw, Hex Socket Hd No. 8-32 x 1/2	7	10
4000208-008	Screw, Hex Hd Socket Cap No. 8-32 x 1/2	6	2
4000208-008	Screw, Socket Hex Hd No. 8-32 x 3/4	5	2
4000208-008	Screw, Hex Socket Hd Cap No. 8-32 x 1/2	9	2
4000208-008	Screw, Hex Socket Cap No. 8-32 x 1/2	3	76
4000208-008	Screw, Socket Hex Hd No. 8-32 x 1/2	4	8
4000208-008	Screw, Hex Socket Cap No. 8-32 x 1/2	3	23
4000208-012	Screw, Hex Socket Cap No. 8-32 x 3/4	3	18
4000208-020	Screw, Hex Socket Hd Cap	4	57
4000225-0	Screw, Hex Socket Cap No. 1/4-20 x 3/4	4	11
4000225-00	Screw, Hex Hd Socket Cap No.1/4-20 x 1/2	6	14
4000225-006	Screw, Hex Socket Cap Hd	4	70
4000225-008	Screw, Hex Socket Cap No. 1/4-20 x 1/5	3	21
4000225-012	Screw, Hex Socket Cap No. 1/4-20 x 3/4	3	22
4000225-012	Screw, No. 1/4-20 x 3/4	2	16
4000225-016	Screw, Cap Socket Hd	3	126
4000225-028	Screw, Hex Soc Cap No. 1/4-20 x 1-3/4	3	91
4000325-010	Screw, Hex Hd	4	46
4000331-012	Screw, Hex Hd No. 5/16-18 x 3/4	3	26
4000331-016	Screw, Hex Hd No. 5/16-18 x 1	2	132
4000408-008	Screw, Hex Socket Button Hd	3	75
4000408-012	Screw, Hex Socket Button Hd	4	13
4000804-006	Screw, Hex Socket Flat Hd	5	10
4000804-008	Screw, Hex Socket Hd No. 4-40 x 1/2	7	31
4000804-008	Screw, Flat Hd Hex Socket No. 4-40 x 1/2	9	9
4000806-006	Screw, Flat Socket Hd	8	8
4000806-008	Screw, Flat Hex Hd Socket No. 6-32 x 1/2	7	19
4000808-008	Screw, Flat Hd Hex Socket	9	18
4000808-008	Screw, Hex Socket Flat Hd	5	17
4000808-008	Screw, Hex Socket Flat Hd	4	61
4000808-014	Screw, Flat Hd Hex Socket	9	14
4000808-014	Screw, Hex Socket Flat Hd	5	15
4000825-012	Screw, Hex Socket Flat Hd	4	27
4000908-004	Screw, Phi Flat Hd No.8-32 x 1/4	7	48
4000908-006	Screw, Phi Flat Hd No. 8-32 3/8	3	78
4000910-006	Screw, Flat Hd No. 10-24 x 3/8	3	105
4001110-008	Screw, Pan Hd No. 10-24 x 1/2	2	70
4001110-012	Screw, Pan Hd No. 10-24 x 3/4	2	59
4001331-016	Screw, Hex Hd No. 5/16-18 x 1	6	30
4002010-003	Screw, Cup Point Set	4	48
4002425-004	Screw, Shoulder Socket No. 1/4-20 x 7/16	2	5
4002425-004	Screw, Shoulder	3	31
4002426-008	Screw, Shoulder	3	107
4003808-004	Screw, Phi Flat Hd	7	35

**INDEX BY DEC PART NUMBER**  
**RV64 OPTICAL LIBRARY**

PART NO.	DESCRIPTION	FIG NO.	ITEM NO.
4100000-003	Nut, Coarse Hex No.3/48	7	56
4100000-004	Nut, Hex No.4-40	7	37
4100000-004	Nut, Hex No. 4-40	7	60
4100000-008	Nut, Hex	7	16
4100000-008	Nut, No. 8-32	2	52
4100000-008	Nut, Hex	4	67
4100000-025	Nut, Hex No. 1/4-20	3	92
4100000-031	Nut, Hex No. 5/16-18	3	29
4100000-031	Nut, Hex No. 5/16	2	135
4100017-010	Nut, Hex No. 10-32	2	111
4100026-038	Nut, Low Crown No. 3/8-16	3	101
4200000-00	Washer, No. 4 Flat	4	43
4200000-003	Washer, Flat No. 3	7	58
4200000-004	Washer, Regular No. 4	6	12
4200000-004	Washer, Flat	7	8
4200000-004	Washer, Flat No. 4	2	127
4200000-004	Washer, Flat No. 4	3	43
4200000-006	Washer, Flat	7	29
4200000-006	Washer, Flat	4	7
4200000-006	Washer, No. 6 Flat	2	117
4200000-008	Washer, Flat No. 8	7	4
4200000-008	Washer, No. 8 Flat	5	4
4200000-008	Washer, Regular No. 8	6	4
4200000-008	Washer, Flat No. 8	9	4
4200000-008	Washer, Flat No. 8	4	10
4200000-008	Washer, No. 8	2	27
4200000-008	Washer, Flat No. 8	3	7
4200000-010	Washer, Flat No. 10	2	60
4200000-025	Washer, Regular No. 1/4	6	16
4200000-025	Washer, Flat No. 1/4	3	45
4200000-025	Washer, Flat No. 1/4	2	17
4200000-025	Washer, Flat	4	31
4200000-031	Washer, Flat No. 5/16	3	28
4200000-031	Washer, Flat No. 5/16	2	133
4200000-038	Washer, Flat No. 3/8	3	102
4200001-004	Washer, Flat	8	4
4200003-003	Washer, Split Lock No. 3	7	57
4200003-004	Washer, Split Lock No. 4	6	11
4200003-004	Washer, Split Lock	7	25
4200003-004	Washer, Split Lock No. 4	8	3
4200003-004	Washer, Split Lock	3	125
4200003-004	Washer, Split Lock No. 4	2	128
4200003-004	Washer, Bellville Spring	4	74
4200003-004	Washer, Split Lock No. 4	4	42
4200003-004	Washer, Split Lock	3	59
4200003-006	Washer, Split Lock	7	28
4200003-006	Washer, Split Lock No. 6	2	118
4200003-006	Washer, Split Lock	4	6
4200003-008	Washer, Split Lock No. 8	7	3
4200003-008	Washer, No. 8 Split Lock	5	3
4200003-008	Washer, Split Lock No. 8	9	3
4200003-008	Washer, Split Lock No. 8	6	3
4200003-008	Washer, Split Lock No. 8	3	52
4200003-008	Washer, Split Lock No. 8	4	9
4200003-008	Washer, Split Lock No. 8	2	28
4200003-008	Washer, Split Lock No. 8	3	6

**INDEX BY DEC PART NUMBER**  
**RV64 OPTICAL LIBRARY**

PART NO.	DESCRIPTION	FIG NO.	ITEM NO.
4200003-010	Washer, Split Lock No. 10	2	61
4200003-025	Washer, Split Lock No. 1/4	6	15
4200003-025	Washer, Split Lock No. 1/4	3	44
4200003-025	Washer, Split Lock	4	47
4200003-025	Washer, Split Lock No. 1/4	2	18
4200003-025	Washer, Split Lock No. 1/4	4	12
4200003-031	Washer, Split Lock No. 5/16	6	31
4200003-031	Washer, Split Lock No. 5/16	3	27
4200003-031	Washer, Split Lock No. 5/16	2	134
4200005-004	Washer, Internal Tooth	7	7
4200005-004	Washer, Internal Tooth No. 4	6	44
4200005-004	Washer, Internal Tooth	4	40
4200005-008	Washer, Internal Tooth No. 8	2	53
4200005-010	Washer, Int Tooth No. 10	2	112
4200014	Washer, Belleville Spring	7	62
4200015	Spring, Curved Washer	8	16
4200017	Washer, Thrust	8	12
4200018	Washer, Bearing	3	16
4200027	Washer, Bearing	6	20
4200039	Washer	2	22
4200049-001	Standoff, Round, Unthreaded	3	94
4200053-001	Spacer, Gear Cover	3	68
4200104-002	Standoff	7	38
4200104-002	Standoff	6	53
4200104-002	Standoff	4	44
4300006	Clip, EMI	3	56
4300006	Clip, EMI	2	13
4300007-001	Clamp, Base Cable	7	46
4300008-001	Clamp, Cover Cable	7	47
4300024-003	Clamp, Split Type	6	22
4300024-003	Collar, Split Type	7	12
4300103	Clamp, Split Type	6	5
4500004-003	Shim, Cartridge Rack .010	2	19
4500004-003	Shim, 0.010 Inch Thick	3	117
4500004-004	Shim, Cartridge Rack .020	2	20
4500004-004	Shim, 0.020 Inch Thick	3	117
4500004-005	Shim, Cartridge Rack .050	2	21
4500004-005	Shim, 0.050 Inch Thick	3	117
4500104-007	Pin, Dowel	7	21
4500204-004	Pin, Drive	6	48
4500206-005	Pin, Drive	6	67
4500206-006	Pin, Drive	4	26
4500306-004	Pin, Drive	6	59
4500306-004	Pin, Drive	4	22
4500306-004	Pin, Drive, Grooved	4	71
4500400-086	Retaining Ring, Internal	7	15
4500400-112	Retaining Ring, Internal	9	20
4500400-112	Retaining Ring, Internal	5	13
4500400-112	Retaining Ring, Internal	6	25
4500401-025	Retaining Ring, External	6	50
4500401-031	Retaining Ring, External	6	58
4500401-031	Retaining Ring, External	4	25
4500401-046	Retaining Ring, External	6	23
4500401-046	Retaining Ring, External	4	60
4500401-046	Retaining Ring, External	3	41
4500401-046	Retaining Ring, External	4	19

INDEX BY DEC PART NUMBER  
RV64 OPTICAL LIBRARY

PART NO.	DESCRIPTION	FIG NO.	ITEM NO.
4700000	Spring, Preload	3	57
4700001	Spring, Cable	3	109
4700002	Spring, Idler Pulley Extension	4	76
4700007	Spring, Compression	6	21
4700014	Spring, Extension	3	55
4900003	Lock, Fixed Cam	3	129
5000007-001	Gear w/Hub Assembly	7	11
5000232-053	Gear, Motor, w/Hub	7	17
5100100-008	Bearing, 8 mm Ball	7	14
5100100-012	Bearing, 12 mm Ball	9	8
5100100-012	Bearing, 12 mm Ball	6	18
5100100-012	Bearing, 12 mm Ball	5	5
5100100-012	Bearing, 12mm Ball	3	49
5100100-012	Bearing, 12mm Ball	3	40
5100100-012	Bearing, 12mm Ball	4	28
5100100-012	Bearing, 12mm Ball	4	18
5100100-012	Bearing, 12mm Ball	4	64
5100100-025	Bearing, Ball 25 mm	6	35
5100450-012	Bearing, Oil Impregnated Flanged	4	75
5100537-012	Bearing, Nylon	3	108
5300001	Caster	3	25
5300001	Casters	2	29
5300002	Foot, Bump On	6	47
600000-008	Nut, Hex	3	119
6000011	Pulley, Belt, Driven	4	63
6000012	Flange, Pulley	5	16
6000012	Flange, Pulley	9	17
6000012	Flange, Pulley	4	62
6000018	Spring, Stop	6	60
6000018	Spring, Stop	6	51
6000019	Spring, Preload	6	36
6000020	Spring, Bumper	4	33
6000020	Spring, Bumper	3	112
6000024	Gear, Drive	5	14
6000024	Gear, Drive	9	13
6000031	Bracket, Vertical Sensor	4	37
6000034	Shaft, Bumper	3	110
6000034	Shaft, Bumper	4	30
6000035	Seat, Bumper Spring	4	32
6000035	Seat, Bumper, Spring	3	111
6000044	Plate, Bearing Clamp	5	9
6000044	Plate, Bearing, Clamp	9	19
6000045	Shaft, Vertical Drive	5	11
6000046-001	Spacer, Drive	5	8
6000046-003	Spacer, Drive	6	17
6000046-004	Spacer	4	65
6000046-005	Spacer, Driver	6	19
6000046-006	Spacer, Drive	9	11
6000046-007	Spacer, Drive	9	12
6000046-011	Spacer, Drive	5	12
6000049	Washer, Special	7	64
6000049	Washer, Special	9	7
6000049	Washer, Special	5	7
6000049	Washer, Special	3	15
6000049	Washer, Special	4	68
6000049	Washer, Special	3	53
6000054	Stop, Bumper	3	113

INDEX BY DEC PART NUMBER  
RV64 OPTICAL LIBRARY

PART NO.	DESCRIPTION	FIG NO.	ITEM NO.
6000054	Stop, Bumper	4	34
6000055	Bracket, Adjustable Bumper	4	45
6000058	Pulley, Drive Belt	5	18
6000064	Bracket, Front Sensor Assembly	7	65
6000065	Bracket, Rear Sensor	7	1
6000069	Bearing, Linear	3	58
6000069	Bearing, Linear	4	52
6000073	Rod, Anti-rotation Gripper	7	49
6000075	Bracket, Solenoid Mount	7	54
6000076	Screw, Gripper Bracket Shoulder	8	15
6000078	Lever, Stop Pivot Carriage, Right	6	49
6000079	Lever, Stop, Pivot Carriage, Left	6	63
6000080	Bracket, Sensor Cartridge Present	7	34
6000081	Flag, Cartridge Present	7	69
6000082	Bracket, Cartridge Present Flag	7	68
6000083	Carriage Way, Modified Vertical	4	3
6000083	Carriage Way, Modified Vertical	4	16
6000087	Mask, Sensor Pivot Carriage	6	28
6000090	Shaft, Anti-rotation	4	35
6000093	Pad, Bumper Shock	3	114
6000093	Pad, Bumper Shock	4	51
6000095	Spacer, Gear	7	13
6000096	Shaft, Intermediate	6	13
6000101-999	CARRIAGE ASSEMBLY, HORIZONTAL	3	10
6000101-999	CARRIAGE ASSEMBLY, HORIZONTAL	4	N/A
6000103-999	CARRIAGE ASSEMBLY, PIVOT	7	N/A
6000103-999	CARRIAGE ASSEMBLY, PIVOT	6	39
6000103-999	CARRIAGE ASSEMBLY, PIVOT	3	115
6000104-999	GRIPPER ASSEMBLY	7	50
6000104-999	GRIPPER ASSEMBLY	8	N/A
6000106-999	MOTOR ASSEMBLY, VERTICAL DRIVE	5	N/A
6000106-999	MOTOR ASSEMBLY, VERTICAL DRIVE	4	1
6000107-999	LEVER ASSEMBLY, PIVOTED PRELOAD	6	54
6000107-999	LEVER ASSEMBLY, PIVOTED PRELOAD	4	17
6000108-999	LEVER ASSEMBLY, FIXED PRELOAD	3	38
6000109-999	Guide, Front Assembly Cartridge	7	51
6000117	Bearing, Counterweight	3	74
6000119	Stiffener, Carriage Way	4	4
6000120-001	Bracket, Sensor Pivot Carriage	6	41
6000120-002	Bracket, Sensor Pivot Carriage	6	46
6000121	Flag, Reflective Foil	6	27
6000123	Flag, Upper Vertical	6	40
6000124	Flag, Vertical, Lower	6	9
6000129	Frame, Rear Pivot Carriage	7	9
6000135	Mount, Vertical Motor	5	19
6000142	Bracket, Vertical Lower Sensor	4	50
6000143	Shaft, Horizontal Drive	9	5
6000146	Mount, Horizontal Motor	9	21
6000150	Pulley, Drive	9	15
6000151	Pulley, Idler Cable	3	12
6000151	Pulley, Idler Cable	3	47
6000152	Plate, Lever	6	61
6000153	Bracket, Sensor, Horizontal	3	61
6000154-001	Sensor, Flag	3	64

**INDEX BY DEC PART NUMBER**  
RV64 OPTICAL LIBRARY

PART NO.	DESCRIPTION	FIG NO.	ITEM NO.
6000156	Washer, Special, Gear	6	32
6000163	Retainer, Spring	6	37
6000164-002	Spacer, Gear Pivot Carriage	6	34
6000164-003	Spacer, Gear Pivot Carriage	6	38
6000170	Shaft, Bearing Preload	6	69
6000170	Shaft, Bearing, Preload	4	24
6000171	Bearing, Shaft-Outrigger	6	65
6000171-002	Shaft, Outrigger Bearing	4	29
6000172-001	Shaft, Stop Lever	6	66
6000172-002	Shaft, Stop Lever	6	70
6000174	Guide, Front Cartridge	7	53
6000177	Stiffener, Vertical Carriage Way	4	15
6000180	Bracket, Idler Pulley, Double	3	51
6000181	Guide, Rear Cartridge	7	36
6000182-999	MOTOR ASSEMBLY, HORIZONTAL DRIVE STEPPER	9	N/A
6000182-999	MOTOR ASSEMBLY, HORIZ. STEPPER	3	34
6000186	Arm, Pivot	3	106
6000188	Bracket, Preload	6	56
6000188	Bracket, Preload	4	23
6000189	Shaft, Preload Bracket	6	57
6000189	Shaft, Bracket, Preload	3	42
6000189	Shaft, Bracket	4	21
6000191	Bracket, Bearing	3	39
6000194-003	Cable Assembly, Horizontal Carriage (Right)	9	16
6000194-004	Cable Assembly, Horizontal Carriage (Left)	9	10
6000198	Bracket, Sensor Emitter	7	23
6000199	Bracket, Sensor Detector	7	33
6000200	Shaft, Idler Bracket	3	50
6000203	Guide, Ribbon Cable	7	45
6000203	Guide, Ribbon Cable	3	116
6000204-999	PULLEY ASSEMBLY, DOUBLE IDLER	3	46
6000206	Shaft, Idler Pulley	4	66
6000207	Bracket, Idler Pulley	4	69
6000208-999	PULLEY ASSEMBLY, IDLER	4	59
6000210-999	CARRIAGE WAY ASSEMBLY, COUNTERWEIGHT	4	2
6000211-999	CARRIAGE WAY ASSEMBLY, VERTICAL	4	14
6000218	Key, Square Pivot Carriage	6	8
6000220	Clamp, Belt	3	63
6000223	Bracket, Bearing Lead Screw	8	5
6000224	Bearing, Lead Screw Support	8	1
6000228	Plate, 2-Sided Sensor	7	70
6000229	Clamp, Sensor	7	30
6000230	Plate, Sensor Mounting	7	26
6000230	Plate, Sensor Mounting	7	41
6000235	Rod, Stop Carriage	4	77
6000236	Lead Screw Assembly	8	7
6000238	Cover, Switch	3	86
6000240-001	Housing, Lower Switch	3	95
6000240-002	Housing, Lower Switch	3	96
6000241	Housing, Switch Box	3	97
6000242	Shim, Carriage Way	3	93
6000243	Nutplate Assembly, Front Guide	7	72
6000246	Sleeve, Bearing, Counterweight	4	36
6000264	Cam, Solenoid	7	59

**INDEX BY DEC PART NUMBER**  
**RV64 OPTICAL LIBRARY**

PART NO.	DESCRIPTION	FIG NO.	ITEM NO.
6000276	Guide, Gripper Anti-rotation	8	13
6000302	Leveler	2	2
6000302	Leveler	3	30
6000303	Pad, Leveler	3	32
6000303	Pad, Leveler	2	3
6000307	Beam, Cart Support	2	14
6000308	Plate, Cart Support Nut	2	15
6000327-999	Cart Rack Assembly, Upper	2	42
6000342-999	Cart Rack Assembly, Lower	2	41
6000347-999	Card Cage Assembly	2	49
6000382	Cover, Top Transport Side	1	7
6000382-006	Cover, Top	3	127
6000396	Cover, ODU Center	2	32
6000398-001	Cover, ODU Left Side	2	30
6000398-002	Cover, ODU Right Side	2	34
6000399	Cover, ODU Bottom	2	31
6000403	Cover, Inside Top Left	2	40
6000432	Nut, Plate	7	40
6000441-001	Hinge, Right Upper	3	1
6000441-001	Hinge, Lower Right, Frame	2	47
6000441-002	Hinge, Right Lower	3	4
6000441-003	Hinge, Left Upper	3	2
6000441-003	Hinge, Lower Left, Frame	2	46
6000441-004	Hinge, Upper Left, Frame	2	48
6000441-004	Hinge, Left Lower	3	3
6000454	Bracket, Lock	3	19
6000454	Bracket, Lock	2	130
6000468	Cover, ODU Upper Center	2	33
6000481	Cover, Housing Left	2	54
6000482	Cover, Housing Right	2	56
6000492-001	Bracket, Power Mgt. Upper Support	2	89
6000492-002	Bracket, Power Mgt. Lower Support	2	91
6000521	Cover, Inside Top Right	2	39
6000525	Shield, Input EMI	2	64
6000526	Shield, Lower EMI	2	65
6000540	Bracket, Input Station	2	103
6000548	Bracket, Cable	2	106
6000557	Nut, Special Leveler	3	33
6000557	Nut, Special Leveler	2	4
6000565	Retainer, Power Mgt	2	90
6001419-001	Flag, Gripper	8	9
6001420-001	Mount, Lead Screw	8	11
6001421-004	Cover, Right Side, Storage	1	6
6001422-004	Cover, Top Storage Side	1	2
6001423-006	Panel, Side	1	3
6001423-006	Cover, Side	3	134
6001424-004	COVER ASSEMBLY, TOP TRANSPORT SIDE	1	7
6001434	Guard, Cable	7	75
6001455-001	Carriage, Upper Horizontal	4	49
6001457-001	Bracket, Idler Pulley	3	17
6001459-001	GEAR ASSEMBLY, PIVOT CARRIAGE	6	26
6001460-001	Shaft, Idler Pulley	4	72
6001467-001	Bracket, Bearing Preload	6	55
6001467-001	BRACKET, BEARING PRELOAD	4	20
6001478-001	Block, Bearing	4	54

**INDEX BY DEC PART NUMBER**  
**RV64 OPTICAL LIBRARY**

PART NO.	DESCRIPTION	FIG NO.	ITEM NO.
6001479-001	Bushing, Bearing	4	55
6001480-001	BEARING BLOCK ASSEMBLY, UPPER	4	53
6001480-002	Bearing Block Assembly	4	58
6001482-001	Frame, Side Pivot Carriage	7	39
6001483-001	Frame, Front Pivot Carriage	7	66
6001485-001	Stiffener	3	90
6001486-001	Carriage Way	3	89
6001486-001	Carriage Way	3	66
6001488-001	Stiffener	3	67
6001489-001	CARRIAGE WAY ASSEMBLY, UPPER	3	88
6001490-001	CARRIAGE WAY ASSEMBLY, LOWER	3	65
6001493-001	Bracket, E.O.T. Gripper Assembly	7	22
6001497-001	Slide Mount Assembly, Right	2	57
6001498-001	Slide Mount Assembly, Left	2	55
6001508-001	Plate, Power Supply Adaptor	2	24
6001509-001	Bracket, Power Supply Support	2	25
6001512-001	Cover, Power Supply 24V	2	43
6001513-001	POWER/CAPACITOR ASSEMBLY	2	23
6001532-001	Plate, Cable Adjust	3	82
6001542	STORAGE SIDE ASSEMBLY	1	11
6001542-001	STORAGE SIDE ASSEMBLY	2	N/A
6001545-001	Anchor, Spring Extension	3	103
6001546-001	Bracket, Spring Extension	3	104
6001547-001	Crank, Spring Extension	3	99
6001549-001	Screw, Spring Extension	3	100
6001553-001	Frame, Mechanism	3	11
6001554-001	Frame, Storage Unit	2	1
6001560-001	Counterweight	3	72
6001561-001	Plate, Belt Clamp	3	73
6001562-001	Carriage, Vertical	6	68
6001563-999	TRANSPORT SIDE ASSEMBLY	3	N/A
6001563-999	TRANSPORT SIDE ASSEMBLY	1	12
6001564-001	COUNTERWEIGHT ASSEMBLY	3	71
6001565-001	PIN INSTALLATION, VERTICAL CARRIAGE	6	64
6001566-001	CARRIAGE ASSEMBLY, VERTICAL	6	N/A
6001566-001	CARRIAGE ASSEMBLY, VERTICAL	3	120
6001569-001	Housing, Line Filter	2	107
6001575-001	Slide, Rear Retainer - ODU	2	68
6001580-004	Door, Left Rear Transport Side	3	130
6001580-004	Door, Left Rear Transport Side	1	9
6001581-004	Door, Right Front, Storage	1	5
6001582-005	Door, Right Rear Transport Side	1	8
6001582-005	Door, Right Rear Transport Side	3	128
6001583-007	Door, Left Front, Storage	1	4
6001589-001	Cover, A.C. Filler	2	72
6001590-001	Housing, Service Switch	3	84
6001591-001	Bracket, Vertical Carriage	3	81
6001592-001	Bracket, Horizontal Carriage	3	79
6001596-001	Panel Assembly, Front	2	8
6001596-005	Panel, Front	1	10
6001657-001	Input Station Assembly	2	67
6003080-001	Carriage Assembly, Lower Horizontal	4	81

**INDEX BY DEC PART NUMBER**  
**RV64 OPTICAL LIBRARY**

PART NO.	DESCRIPTION	FIG NO.	ITEM NO.
6005168-001	Bracket, Line Filter	2	108
600532	Bracket, Upper Support	2	71
6005323-001	Bracket, Cartridge Rack Support	2	123
6005471-001	Cover, Left Bulkhead	2	136
KLESI-B	Adaptor, BI to LESI	1	Not Shown
N/A	RV64 OPTICAL LIBRARY	1	N/A
RV60-A	RV60 Drive (Master)	1	Not Shown
RV60-B	RV60 Drive (Slave)	1	Not Shown
RV64-B	RV64-B (60Hz)	1	N/A
RV64-C	RV64-C (50Hz)	1	N/A
RV64-D	RV64-D (50Hz)	1	N/A

**INDEX BY DEC PART DESCRIPTION**  
RV64 OPTICAL LIBRARY

DESCRIPTION	DEC PART NO.	FIG. NO.	ITEM NO.
Adaptor. BI to LESI	KLESI-B	1	Not Shown
Anchor, Spring Extension	6001545-001	3	103
Arm, Pivot	6000186	3	106
Backplane, PCB	29-26588-00	2	147
Beam, Cart Support	6000307	2	14
Bearing Block Assembly	6001480-002	4	58
BEARING BLOCK ASSEMBLY, UPPER	6001480-001	4	53
Bearing, 12 mm Ball	5100100-012	9	8
Bearing, 12 mm Ball	5100100-012	6	18
Bearing, 12 mm Ball	5100100-012	5	5
Bearing, 12mm Ball	5100100-012	4	18
Bearing, 12mm Ball	5100100-012	4	28
Bearing, 12mm Ball	5100100-012	4	64
Bearing, 12mm Ball	5100100-012	3	49
Bearing, 12mm Ball	5100100-012	3	40
Bearing, 8 mm Ball	5100100-008	7	14
Bearing, Ball 25 mm	5100100-025	6	35
Bearing, Counterweight	6000117	3	74
Bearing, Lead Screw Support	6000224	8	1
Bearing, Linear	6000069	4	52
Bearing, Linear	6000069	3	58
Bearing, Nyloner	5100537-012	3	108
Bearing, Oil Impregnated Flanged	5100450-012	4	75
Bearing, Shaft-Outrigger	6000171	6	65
Belt, Vertical Drive Timing 47-1/4" Lng	29-26552-00	3	70
Block, Bearing	6001478-001	4	54
Bracket, Adjustable Bumper	6000055	4	45
Bracket, Bearing	6000191	3	39
Bracket, Bearing Lead Screw	6000223	8	5
BRACKET, BEARING PRELOAD	6001467-001	4	20
Bracket, Bearing Preload	6001467-001	6	55
Bracket, Cable	6000548	2	106
Bracket, Cartridge Present Flag	6000082	7	68
Bracket, Cartridge Rack Support	6005323-001	2	123
Bracket, E.O.T. Gripper Assembly	6001493-001	7	22
Bracket, Front Sensor Assembly	6000064	7	65
Bracket, Horizontal Carriage	6001592-001	3	79
Bracket, Idler Pulley	6000207	4	69
Bracket, Idler Pulley	6001457-001	3	17
Bracket, Idler Pulley, Double	6000180	3	51
Bracket, Input Station	6000540	2	103
Bracket, Line Filter	6005168-001	2	108
Bracket, Lock	6000454	2	130
Bracket, Lock	6000454	3	19
Bracket, Power Mgt. Lower Support	6000492-002	2	91
Bracket, Power Mgt. Upper Support	6000492-001	2	89
Bracket, Power Supply Support	6001509-001	2	25
Bracket, Preload	6000188	6	56
Bracket, Preload	6000188	4	23
Bracket, Rear Sensor	6000065	7	1
Bracket, Sensor Cartridge Present	6000080	7	34

**INDEX BY DEC PART DESCRIPTION**  
**RV64 OPTICAL LIBRARY**

DESCRIPTION	DEC PART NO.	FIG. NO.	ITEM NO.
Bracket, Sensor Detector	6000199	7	33
Bracket, Sensor Emittor	6000198	7	23
Bracket, Sensor Pivot Carriage	6000120-001	6	41
Bracket, Sensor Pivot Carriage	6000120-002	6	46
Bracket, Sensor, Horizontal	6000153	3	61
Bracket, Solenoid Mount	6000075	7	54
Bracket, Spring Extension	6001546-001	3	104
Bracket, Upper Support	600532	2	71
Bracket, Vertical Carriage	6001591-001	3	81
Bracket, Vertical Lower Sensor	6000142	4	50
Bracket, Vertical Sensor	6000031	4	37
Bushing, Bearing	6001479-001	4	55
Button, Rectangular Push	1717009	3	121
Cable Assembly, Front Panel	29-26556-00	2	95
Cable Assembly, Gripper Motor	29-26555-00	3	35
Cable Assembly, Gripper Sensor	29-27246-01	3	36
Cable Assembly, Gripper Sensor	29-27247-01	2	77
Cable Assembly, Ground	3100191-001	3	54
Cable Assembly, Horizontal Carriage	3100070	2	74
Cable Assembly, Horizontal Carriage (Left)	6000194-004	9	10
Cable Assembly, Horizontal Carriage (Right)	6000194-003	9	16
Cable Assembly, JB ODU	3100277-001	2	100
Cable Assembly, Pivot Carriage Gripper	29-27254-01	2	76
Cable Assembly, Serial I/O	3100064	2	97
Cable Assembly, Vertical Distribution	29-27245-01	3	9
Cable Assembly, Vertical Motor	3100157-999	2	75
Cable Assembly, Vertical Motor	3100156	3	8
Cable, 40 Ft RS232 Host	29-27499-01	1	Not Shown
Cable, Ground	3100191	2	51
Cable, ISI 5 Ft Right Angle	29-27497-01	1	Not Shown
Cam, Solenoid	6000264	7	59
Capacitor, Electro, 120000MF, 40V	29-26576-00	2	23B
Card Cage Assembly	6000347-999	2	49
CARRIAGE ASSEMBLY, HORIZONTAL	6000101-999	4	N/A
CARRIAGE ASSEMBLY, HORIZONTAL	6000101-999	3	10
Carriage Assembly, Lower Horizontal	6003080-001	4	81
CARRIAGE ASSEMBLY, PIVOT	6000103-999	7	N/A
CARRIAGE ASSEMBLY, PIVOT	6000103-999	3	115
CARRIAGE ASSEMBLY, PIVOT	6000103-999	6	39
CARRIAGE ASSEMBLY, VERTICAL	6001566-001	3	120
CARRIAGE ASSEMBLY, VERTICAL	6001566-001	6	N/A
Carriage Way	6001486-001	3	66
Carriage Way	6001486-001	3	89
CARRIAGE WAY ASSEMBLY, COUNTERWEIGHT	6000210-999	4	2
CARRIAGE WAY ASSEMBLY, LOWER	6001490-001	3	65
CARRIAGE WAY ASSEMBLY, UPPER	6001489-001	3	88
CARRIAGE WAY ASSEMBLY, VERTICAL	6000211-999	4	14
Carriage Way, Modified Vertical	6000083	4	16
Carriage Way, Modified Vertical	6000083	4	3
Carriage, Upper Horizontal	6001455-001	4	49
Carriage, Vertical	6001562-001	6	68
Cart Rack Assembly, Lower	6000342-999	2	41
Cart Rack Assembly, Upper	6000327-999	2	42

INDEX BY DEC PART DESCRIPTION  
RV64 OPTICAL LIBRARY

DESCRIPTION	DEC PART NO.	FIG. NO.	ITEM NO.
Caster	5300001	3	25
Casters	5300001	2	29
Clamp, Base Cable	4300007-001	7	46
Clamp, Belt	6000220	3	63
Clamp, Cover Cable	4300008-001	7	47
Clamp, Flat Cable	1616022-004	3	77
Clamp, Flat Cable	1616026-003	3	80
Clamp, Sensor	6000229	7	30
Clamp, Split Type	4300103	6	5
Clamp, Split Type	4300024-003	6	22
Clip, EMI	4300006	2	13
Clip, EMI	4300006	3	56
Clip, Press Cable	1616027-012	4	80
Collar, Split Type	4300024-003	7	12
Connector, Liquid Tight	1616013-003	2	110
Control Panel Assembly	29-26554-00	2	82
Counter Assembly, Insertion	29-27423-01	2	69
Counterweight	6001560-001	3	72
COUNTERWEIGHT ASSEMBLY	6001564-001	3	71
COVER ASSEMBLY, TOP TRANSPORT SIDE	6001424-004	1	7
Cover, A.C. Filler	6001589-001	2	72
Cover, Gear	29-27249-01	3	118
Cover, Housing Left	6000481	2	54
Cover, Housing Right	6000482	2	55
Cover, Inside Top Left	6000403	2	40
Cover, Inside Top Right	6000521	2	39
Cover, Left Bulkhead	6005471-001	2	136
Cover, ODU Bottom	6000399	2	31
Cover, ODU Center	6000396	2	32
Cover, ODU Left Side	6000398-001	2	30
Cover, ODU Right Side	6000398-002	2	34
Cover, ODU Upper Center	6000468	2	33
Cover, Power Supply 24V	6001512-001	2	43
Cover, Right Side, Storage	6001421-004	1	6
Cover, Side	6001423-006	3	134
Cover, Switch	6000238	3	86
Cover, Top	6000382-006	3	127
Cover, Top Storage Side	6001422-004	1	2
Cover, Top Transport Side	6000382	1	7
Crank, Spring Extension	6001547-001	3	99
Detent Solenoid Assembly	29-26572-00	2	80
Door, Left Front, Storage	6001583-007	1	4
Door, Left Rear Transport Side	6001580-004	3	130
Door, Left Rear Transport Side	6001580-004	1	9
Door, Right Front, Storage	6001581-004	1	5
Door, Right Rear Transport Side	6001582-005	1	8
Door, Right Rear Transport Side	6001582-005	3	128
Extension Harness, SS/DS Sensor	3100134-999	7	73
Fan, w/Connector Ball Bearing 24V DC	29-27566-00	2	146
Filter	1010015	3	133
Filter, EMI Line	0707051-001	2	114

**INDEX BY DEC PART DESCRIPTION**  
**RV64 OPTICAL LIBRARY**

DESCRIPTION	DEC PART NO.	FIG. NO.	ITEM NO.
Flag, Cartridge Present	6000081	7	69
Flag, Gripper	6001419-001	8	9
Flag, Reflective Foil	6000121	6	27
Flag, Upper Vertical	6000123	6	40
Flag, Vertical, Lower	6000124	6	9
Flange, Pulley	6000012	9	17
Flange, Pulley	6000012	4	62
Flange, Pulley	6000012	5	16
Foot, Bump On	5300002	6	47
Frame, Front Pivot Carriage	6001483-001	7	66
Frame, Mechanism	6001553-001	3	11
Frame, Rear Pivot Carriage	6000129	7	9
Frame, Side Pivot Carriage	6001482-001	7	39
Frame, Storage Unit	6001554-001	2	1
Gasket	1616009	3	131
GEAR ASSEMBLY, PIVOT CARRIAGE	6001459-001	6	26
Gear w/Hub Assembly	5000007-001	7	11
Gear, Anti-backlash Pinion	29-26545-00	6	6
Gear, Anti-backlash Pinion	29-26543-00	6	24
Gear, Drive	6000024	9	13
Gear, Drive	6000024	5	14
Gear, Intermediate Pivot Carriage	29-26541-00	6	7
Gear, Motor, w/Hub	5000232-053	7	17
Gear, Pivot Carriage Main	29-26542-00	6	29
GRIPPER ASSEMBLY	6000104-999	8	N/A
GRIPPER ASSEMBLY	6000104-999	7	50
Grommet, Flexible	1616021-001	2	78
Grommet, Nylon Flexible	1616021-001	2	88
Grommet, Round	1616016-009	2	10
Guard, Cable	6001434	7	75
Guide, Front Assembly Cartridge	6000109-999	7	51
Guide, Front Cartridge	6000174	7	53
Guide, Gripper Anti-rotation	6000276	8	13
Guide, Rear Cartridge	6000181	7	36
Guide, Ribbon Cable	6000203	7	45
Guide, Ribbon Cable	6000203	3	116
Guides, Card	1717008	2	92
Harness Assembly, 5V Power Supply	3100307-001	2	63
Harness Assembly, Bulkhead	3100044	2	84
Harness Assembly, Cart. In Place	3100312-001	2	102
Harness Assembly, Emergency Stop	3100147-001	2	87
Harness Assembly, Frame	29-26558-00	3	24
Harness Assembly, Front Panel	3100145-001	2	85
Harness Assembly, Gripper 1 Aligned	29-26560-00	7	44
Harness Assembly, Gripper 1 Right	29-26562-00	7	67
Harness Assembly, Gripper 2	29-26561-00	7	20
Harness Assembly, Horizontal Carriage	3100036	4	78
Harness Assembly, Horizontal Sensor	29-26557-00	2	Not Shown
Harness Assembly, I/L Solenoid	3100151-999	2	11
Harness Assembly, Input Station	3100043	2	9
Harness Assembly, Interlock	3100146-001	2	86
Harness Assembly, Line Filter	3100351-001	2	109
Harness Assembly, Long Range Sensor	3100311-001	2	12
Harness Assembly, ODU	3100285-001	2	45

**INDEX BY DEC PART DESCRIPTION**  
**RV64 OPTICAL LIBRARY**

DESCRIPTION	DEC PART NO.	FIG. NO.	ITEM NO.
Harness Assembly, ODU - Solenoid	3100284-001	2	101
Harness Assembly, Pivot Sensor	29-26559-00	6	45
Harness Assembly, Power	3100128	3	37
Harness Assembly, Power Mgt Bulkhead	3100354-001	2	94
Harness Assembly, Power Supply (24V)	3100308-001	2	93
Harness Assembly, Power Switch	3100160-999	2	105
Harness Assembly, Receptacle	3100344-001	2	115
Harness Assembly, Service Switch 5' ISI	3100353-001	3	83
Harness Assembly, Solenoid	3100268-001	7	61
Harness Assembly, Solenoid Ext	3100159-999	2	104
Harness Assembly, SS/DS Sensor	3100142	7	74
Harness Assembly, Terminal Block	3100094-999	2	119
Hinge, Left Lower	6000441-004	3	3
Hinge, Left Upper	6000441-003	3	2
Hinge, Lower Left, Frame	6000441-003	2	46
Hinge, Lower Right, Frame	6000441-001	2	47
Hinge, Right Lower	6000441-002	3	4
Hinge, Right Upper	6000441-001	3	1
Hinge, Upper Left, Frame	6000441-004	2	48
Housing, Line Filter	6001569-001	2	107
Housing, Lower Switch	6000240-002	3	96
Housing, Lower Switch	6000240-001	3	95
Housing, Service Switch	6001590-001	3	84
Housing, Switch Box	6000241	3	97
Input Station Assembly	6001657-001	2	67
Insulation	1616010	3	132
Jumper, P33	29-27248-01	2	96
Key, Square Pivot Carriage	6000218	6	8
Key, Woodruff	29-27254-01	6	33
Label, "Ground, Secondary"	1414012	2	50
Label, "ODU Position - 0"	1414028-000	2	35
Label, "ODU Position - 1"	1414028-001	2	36
Label, "ODU Position - 2"	1414028-002	2	37
Label, "ODU Position - 3"	1414028-003	2	38
Label, "OSAR Interconnect, Emer. Stop"	1414054-001	2	142
Label, "OSAR Interconnect, Interlock"	1414055-001	2	143
Label, "OSAR Interconnect, J101"	1414053-001	2	141
Label, "OSAR Interconnect, J102"	1414053-002	2	144
Label, "OSAR Interconnect, J104"	1414053-004	2	140
Label, "OSAR Interconnect, J105"	1414053-005	2	139
Label, "OSAR Interconnect, J106"	1414053-006	2	138
Label, "OSAR Interconnect, J107"	1414053-007	2	137
Label, "Primary Ground"	1414011	2	113
Label, "Secondary Ground"	1414012	3	123
Label, "Shock Hazard"	1414069-001	3	122
Label, "Shock Hazard"	1414010	2	73
Latch Assembly, Gripper	29-26574-00	8	14
Lead Screw Assembly	6000236	8	7
Leveler	6000302	2	2
Leveler	6000302	3	30

**INDEX BY DEC PART DESCRIPTION**  
**RV64 OPTICAL LIBRARY**

DESCRIPTION	DEC PART NO.	FIG. NO.	ITEM NO.
LEVER ASSEMBLY, FIXED PRELOAD	6000108-999	3	38
LEVER ASSEMBLY, PIVOTED PRELOAD	6000107-999	6	54
LEVER ASSEMBLY, PIVOTED PRELOAD	6000107-999	4	17
Lever, Stop Pivot Carriage, Right	6000078	6	49
Lever, Stop, Pivot Carriage, Left	6000079	6	63
Lock, Fixed Cam	4900003	3	129
Loctite	1515006	2	6
Mask, Sensor Pivot Carriage	6000087	6	28
Meter, Time Lapse	29-26587-00	2	145
Module, Serial I/O RS232	29-26586-00	2	131
Module, Cart In Place Sensor	29-26564-00	2	129
Module, Horizontal Distribution	29-26550-00	4	41
Module, Optical Input Sensor	29-26563-00	7	71
Module, Optical Interrupt Sensor	29-26573-00	7	5
Module, Optical Interrupt Sensor	29-26573-00	4	38
Module, Optical Interrupt Sensor	29-26573-00	3	60
Module, Reflective Object Sensor	29-26565-00	7	52
Module, Side Frame Interconnect	29-26553-00	7	42
Module, Vertical Carriage Interconnect	29-26551-00	6	52
MOTOR ASSEMBLY, HORIZONTAL DRIVE STEPPER	6000182-999	9	N/A
MOTOR ASSEMBLY, HORIZ. STEPPER	6000182-999	3	34
Motor Assembly, Pivot Stepper	29-26568-00	6	1
MOTOR ASSEMBLY, VERTICAL DRIVE	6000106-999	5	N/A
MOTOR ASSEMBLY, VERTICAL DRIVE	6000106-999	4	1
Motor, Horizontal Drive Stepper	29-26549-00	9	1
Motor, Variable Reluctance Gripper Stepper	29-26567-00	7	18
Motor, Vertical Stepper PM	29-26547-00	5	1
Mount, Adhesive Cable Tie	1616018	2	125
Mount, Cable Tie	1616018	4	79
Mount, Flat Cable	1616022-003	2	99
Mount, Horizontal Motor	6000146	9	21
Mount, Lead Screw	6001420-001	8	11
Mount, Vertical Motor	6000135	5	19
Number, Storage Slot 0	1414016-000	2	79
Number, Storage Slot 1	1414016-001	2	79
Number, Storage Slot 2	1414016-002	2	79
Number, Storage Slot 3	1414016-003	2	79
Number, Storage Slot 5	1414016-005	2	79
Nut, Coarse Hex No. 3/48	4100000-003	7	56
Nu., Hex	4100000-008	7	16
Nut, Hex	4100000-008	4	67
Nut, Hex	600000-008	3	119
Nut, Hex No. 1/4-20	4100000-025	3	92
Nut, Hex No. 10-32	4100017-010	2	111
Nut, Hex No. 4-40	4100000-004	7	60
Nut, Hex No. 5/16	4100000-031	2	135
Nut, Hex No. 5/16-18	4100000-031	3	29
Nut, Hex No. 4-40	4100000-004	7	37
Nut, Low Crown No. 3/8-16	4100026-038	3	101
Nut, No. 8-32	4100000-008	2	52
Nut, Plate	6000432	7	40
Nut, Special Leveler	6000557	2	4
Nut, Special Leveler	6000557	3	33
Nutplate Assembly, Front Guide	6000243	7	72

**INDEX BY DEC PART DESCRIPTION**  
**RV64 OPTICAL LIBRARY**

DESCRIPTION	DEC PART NO.	FIG. NO.	ITEM NO.
Optical Library w/o Drives (120V)	30-27245-01	1	1
Optical Library w/o Drives (240V)	30-27245-02	1	1
Pad, Bumper Shock	6000093	4	51
Pad, Bumper Shock	6000093	3	114
Pad, Leveler	6000303	3	32
Pad, Leveler	6000303	2	3
Panel Assembly, Front	6001596-001	2	8
Panel, Front	6001596-005	1	10
Panel, Side	6001423-006	1	3
PIN INSTALLATION, VERTICAL CARRIAGE	6001565-001	6	64
Pin, Dowel	4500104-007	7	21
Pin, Drive	4500306-004	4	22
Pin, Drive	4500206-006	4	26
Pin, Drive	4500206-005	6	67
Pin, Drive	4500204-004	6	48
Pin, Drive	4500306-004	6	59
Pin, Drive, Grooved	4500306-004	4	71
Plate, 2-Sided Sensor	6000228	7	70
Plate, Bearing Clamp	6000044	5	9
Plate, Bearing, Clamp	6000044	9	19
Plate, Belt Clamp	6001561-001	3	73
Plate, Cable Adjust	6001532-001	3	82
Plate, Cart Support Nut	6000308	2	15
Plate, Lever	6000152	6	61
Plate, Power Supply Adaptor	6001508-001	2	24
Plate, Sensor Mounting	6000230	7	26
Plate, Sensor Mounting	6000230	7	41
Power Management Box	29-27243-01	2	44
Power Supply Assembly (5V)	29-26584-00	2	62
Power Supply Assembly, 24V	29-26585-00	2	23A
POWER/CAPACITOR ASSEMBLY	6001513-001	2	23
Primer, Loctite	1515000	2	7
PULLEY ASSEMBLY, DOUBLE IDLER	6000204-999	3	46
PULLEY ASSEMBLY, IDLER	6000208-999	4	59
Pulley, Belt, Driven	6000011	4	63
Pulley, Drive	6000150	9	15
Pulley, Drive Belt	6000058	5	18
Pulley, Idler Cable	6000151	3	47
Pulley, Idler Cable	6000151	3	12
Retainer, Power Mgt	6000565	2	90
Retainer, Spring	6000163	6	37
Retaining Ring, External	4500401-046	4	19
Retaining Ring, External	4500401-031	6	58
Retaining Ring, External	4500401-046	4	60
Retaining Ring, External	4500401-031	4	25
Retaining Ring, External	4500401-046	6	23
Retaining Ring, External	4500401-025	6	50
Retaining Ring, External	4500401-046	3	41
Retaining Ring, Internal	4500400-112	9	20
Retaining Ring, Internal	4500400-086	7	15
Retaining Ring, Internal	4500400-112	6	25
Retaining Ring, Internal	4500400-112	5	13

**INDEX BY DEC PART DESCRIPTION**  
**RV64 OPTICAL LIBRARY**

DESCRIPTION	DEC PART NO.	FIG. NO.	ITEM NO.
Rod, Anti-rotation Gripper	6000073	7	49
Rod, Stop Carriage	6000235	4	77
RV60 Drive (Master)	RV60-A	1	Not Shown
RV60 Drive (Slave)	RV60-B	1	Not Shown
RV64 OPTICAL LIBRARY	N/A	1	N/A
RV64-B (60Hz)	RV64-B	1	N/A
RV64-C (50Hz)	RV64-C	1	N/A
RV64-D (50Hz)	RV64-D	1	N/A
Screw, Flat Hd Hex Socket No. 4-40 x 1/2	4000804-008	9	9
Screw, Cap Socket Hd	4000225-016	3	126
Screw, Cup Point Set	4002010-003	4	48
Screw, Flat Hd Hex No. 8-32 X 3/8	4000208-006	5	6
Screw, Flat Hd Hex Socket	4000808-008	9	18
Screw, Hex Socket Cap No. 1/4-20 x 1/5	4000225-008	3	21
Screw, Hex Socket Cap No. 1/4-20 x 3/4	4000225-0	4	11
Screw, Hex Socket Cap No. 1/4-20 x 3/4	4000225-012	3	22
Screw, Hex Socket Cap No. 4-40 x 1/4	4000104-004	3	14
Screw, Hex Socket Cap No. 4-40 x 1/4	4000204-004	2	126
Screw, Hex Socket Cap No. 8-32 x 1/2	4000208-008	3	76
Screw, Hex Socket Cap No. 8-32 x 1/2	4000208-008	3	23
Screw, Hex Socket Cap No. 8-32 x 3/4	4000208-012	3	18
Screw, Hex Socket Cap No. 8-32 x 3/8	4000208	2	66
Screw, Hex Socket Flat Hd	4000825-012	4	27
Screw, Hex Socket Flat Hd	4000808-008	5	17
Screw, Hex Socket Flat Hd	4000808-008	4	61
Screw, Hex Socket Flat Hd	4000804-006	5	10
Screw, Hex Socket Flat Hd	4000808-014	5	15
Screw, Hex Socket Hd Cap	4000204-006	8	6
Screw, Hex Socket Hd Cap	4000204-008	8	2
Screw, Hex Socket Hd Cap	4000208-020	4	57
Screw, Hex Socket Hd Cap No. 4-40 x 1/4	4000204-004	8	10
Screw, Hex Socket Hd Cap No. 4-40 x 3/8	4000204-006	6	62
Screw, Hex Socket Hd Cap No. 8-32 x 1/2	4000208-008	9	2
Screw, Hex Socket Hd Cap No. 8-32 x 1/2	4000208-008	6	42
Screw, Hex Socket Hd No. 4-40 x 1/2	4000804-008	7	31
Screw, Hex Socket Hd No. 4-40 x 1/4	4000204-004	7	6
Screw, Hex Socket Hd No. 4-40 x 1/4	4000204-004	3	62
Screw, Hex Socket Hd No. 4-40 x 3/8	4000204-006	7	24
Screw, Hex Socket Hd No. 8-32 x 1/2	4000208-008	7	10
Screw, Hex Socket Hd No. 8-32 x 3/8	4000208-006	7	2
Screw, No. 1/4-20 x 3/4	4000225-012	2	16
Screw, Pan Hd No. 10-24 x 1/2	4001110-008	2	70
Screw, Pan Hd No. 10-24 x 3/4	4001110-012	2	59
Screw, Phl Flat Hd	4003808-004	7	35
Screw, Phl Flat Hd No. 8-32 3/8	4000908-006	3	78
Screw, Phl Flat Hd No. 8-32 x 1/4	4000908-004	7	48
Screw, Phl Pan Hd	4000104-005	8	17
Screw, Phl Pan Hd	4000108-028	3	69
Screw, Phl Pan Hd	4000104-004	3	124
Screw, Phl Pan Hd	4000104-004	4	39
Screw, Phl Pan Hd	4000108-004	3	13
Screw, Phl Pan Hd	4000108-032	3	5
Screw, Phl Pan Hd No. 6-32 x 1/2	4000106-008	7	27
Screw, Phl Pan Hd No. 6-32 x 5/16	4000106-005	2	116

**INDEX BY DEC PART DESCRIPTION**  
RV64 OPTICAL LIBRARY

DESCRIPTION	DEC PART NO.	FIG. NO.	ITEM NO.
Screw, Phi Pan Hd No. 8-32 x 2	4000108-032	2	58
Screw, Phi Pan Hd No. 8-32 x 3/8	4000108-008	2	98
Screw, Phi Pan Hd No. 8-32 x 3/8	4000108-006	2	26
Screw, Phi Pan Hd No. 8-32 x 3/8	4000108-006	3	20
Screw, Phi Pan Hd No. 8-32 x 3/8 x 1	4000108-006	7	63
Screw, Shoulder	4002426-008	3	107
Screw, Shoulder	4002425-004	3	31
Screw, Shoulder Socket No. 1/4-20 x 7/16	4002425-004	2	5
Screw, Socket Hex Hd No. 8-32 x 1/2	4000208-008	4	8
Screw, Socket Hex Hd No. 8-32 x 3/4	4000208-008	5	2
Screw, Spring Extension	6001549-001	3	100
Screw, Hex Socket Head Cap	4000208-006	3	48
Seat, Bumper Spring	6000035	4	32
Seat, Bumper, Spring	6000035	3	111
Sensor Assembly, Long Range Photo Transistor	29-26621-00	7	32
Sensor Assembly, Reflective Object	29-26565-00	6	43
Sensor, Flag	6000154-001	3	64
Sensor, Long Range Infrared	29-26620-00	7	43
Shaft, Anti-rotation	6000090	4	35
Shaft, Bearing Preload	6000170	6	69
Shaft, Bearing, Preload	6000170	4	24
Shaft, Bracket	6000189	4	21
Shaft, Bracket, Preload	6000189	3	42
Shaft, Bumper	6000034	4	30
Shaft, Bumper	6000034	3	110
Shaft, Horizontal Drive	6000143	9	5
Shaft, Idler Bracket	6000200	3	50
Shaft, Idler Pulley	6001460-001	4	72
Shaft, Idler Pulley	6000206	4	66
Shaft, Intermediate	6000096	6	13
Shaft, Outrigger Bearing	6000171-002	4	29
Shaft, Preload Bracket	6000189	6	57
Shaft, Stop Lever	6000172-001	6	66
Shaft, Stop Lever	6000172-002	6	70
Shaft, Vertical Drive	6000045	5	11
Shield, Input EMI	6000525	2	64
Shield, Lower EMI	6000526	2	65
Shim, 0.010 Inch Thick	4500004-003	3	117
Shim, 0.020 Inch Thick	4500004-004	3	117
Shim, 0.050 Inch Thick	4500004-005	3	117
Shim, Carriage Way	6000242	3	93
Shim, Cartridge Rack .010	4500004-003	2	19
Shim, Cartridge Rack .020	4500004-004	2	20
Shim, Cartridge Rack .050	4500004-005	2	21
Sleeve, Bearing, Counterweight	6000246	4	36
Slide Mount Assembly, Left	6001498-001	2	55
Slide Mount Assembly, Right	6001497-001	2	57
Slide, Rear Retainer - ODU	6001575-001	2	62
Socket Assembly, Jack No. 4-40	0808097	2	121
Socket Kit, Jack No. 4-40	0808057	2	120
Solenoid Assembly, Door Lock	29-26623-00	2	81
Solenoid Assembly, Gripper	29-26622-00	7	55

INDEX BY DEC PART DESCRIPTION  
RV64 OPTICAL LIBRARY

DESCRIPTION	DEC PART NO.	FIG. NO.	ITEM NO.
Spacer	6000046-004	4	65
Spacer, Drive	6000046-006	9	11
Spacer, Drive	6000046-007	9	12
Spacer, Drive	6000046-011	5	12
Spacer, Drive	6000046-001	5	8
Spacer, Drive	6000046-003	6	17
Spacer, Driver	6000046-005	6	19
Spacer, Gear	6000095	7	13
Spacer, Gear Cover	4200053-001	3	68
Spacer, Gear Pivot Carriage	6000164-003	6	38
Spacer, Gear Pivot Carriage	6000164-002	6	34
Spring, Bumper	6000020	4	33
Spring, Bumper	6000020	3	112
Spring, Cable	4700001	3	109
Spring, Compression	4700007	6	21
Spring, Curved Washer	4200015	8	16
Spring, Extension	4700014	3	55
Spring, Idler Pulley Extension	4700002	4	76
Spring, Preload	6000019	6	36
Spring, Preload	4700000	3	57
Spring, Stop	6000018	6	51
Spring, Stop	6000018	6	60
Springs (6), Sensor Flag	29-27498-01	2	83
Standoff	4200104-002	7	38
Standoff	4200104-002	4	44
Standoff	4200104-002	6	53
Standoff, Round, Unthreaded	4200049-001	3	94
Stiffener	6001485-001	3	90
Stiffener	6001488-001	3	67
Stiffener, Carriage Way	6000119	4	4
Stiffener, Vertical Carriage Way	6000177	4	15
Stop, Bumper	6000054	4	34
Stop, Bumper	6000054	3	113
STORAGE SIDE ASSEMBLY	6001542-001	2	N/A
STORAGE SIDE ASSEMBLY	6001542	1	11
Strain Relief, Liquid Tight	1616013-003	3	87
Switch, Emergency Stop, Aux. Power	29-27256-01	3	85
Switch, Rear Door Interlock	29-26577-00	3	98
Tab, Receptacle	0808212	2	122
Tie, Self Locking Cable	1616003-001	2	124
TRANSPORT SIDE ASSEMBLY	6001563-999	1	12
TRANSPORT SIDE ASSEMBLY	6001563-999	3	N/A
Washer	4200039	2	22
Washer, Bearing	4200027	6	20
Washer, Bearing	4200018	3	16
Washer, Belleville Spring	4200014	7	62
Washer, Bellville Spring	4200003-004	4	74
Washer, Flat	4200000-004	7	8
Washer, Flat	4200001-004	8	4
Washer, Flat	4200000-006	7	29
Washer, Flat	4200000-025	4	31
Washer, Flat	4200000-006	4	7
Washer, Flat	4000000-008	4	56

INDEX BY DEC PART DESCRIPTION  
RV64 OPTICAL LIBRARY

DESCRIPTION	DEC PART NO.	FIG. NO.	ITEM NO.
Washer, Flat No. 1/4	4200000-025	2	17
Washer, Flat No. 1/4	4200000-025	3	45
Washer, Flat No. 10	4200000-010	2	60
Washer, Flat No. 3	4200000-003	7	58
Washer, Flat No. 3/8	4200000-038	3	102
Washer, Flat No. 4	4200000-004	3	43
Washer, Flat No. 4	4200000-004	2	127
Washer, Flat No. 5/16	4200000-031	3	28
Washer, Flat No. 5/16	4200000-031	2	133
Washer, Flat No. 8	4200000-008	9	4
Washer, Flat No. 8	4200000-008	7	4
Washer, Flat No. 8	4200000-008	4	10
Washer, Flat No. 8	4200000-008	3	7
Washer, Int Tooth No. 10	4200005-010	2	112
Washer, Internal Tooth	4200005-004	7	7
Washer, Internal Tooth	4200005-004	4	40
Washer, Internal Tooth No. 4	4200005-004	6	44
Washer, Internal Tooth No. 8	4200005-008	2	53
Washer, No. 4 Flat	4200000-00	4	43
Washer, No. 6 Flat	4200000-006	2	117
Washer, No. 8	4200000-008	2	27
Washer, No. 8 Flat	4200000-008	5	4
Washer, No. 8 Split Lock	4200003-008	5	3
Washer, Regular No. 1/4	4200000-025	6	16
Washer, Regular No. 4	4200000-004	6	12
Washer, Regular No. 8	4200000-008	6	4
Washer, Special	6000049	7	64
Washer, Special	6000049	9	7
Washer, Special	6000049	5	7
Washer, Special	6000049	4	68
Washer, Special	6000049	3	53
Washer, Special	6000049	3	15
Washer, Special, Gear	6000156	6	32
Washer, Split Lock	4200003-004	7	25
Washer, Split Lock	4200003-006	7	28
Washer, Split Lock	4200003-025	4	47
Washer, Split Lock	4200003-006	4	6
Washer, Split Lock	4200003-004	3	125
Washer, Split Lock	4200003-004	3	59
Washer, Split Lock No. 1/4	4200003-025	4	12
Washer, Split Lock No. 1/4	4200003-025	2	18
Washer, Split Lock No. 1/4	4200003-025	3	44
Washer, Split Lock No. 1/4	4200003-025	6	15
Washer, Split Lock No. 10	4200003-010	2	61
Washer, Split Lock No. 3	4200003-003	7	57
Washer, Split Lock No. 4	4200003-004	8	3
Washer, Split Lock No. 4	4200003-004	6	11
Washer, Split Lock No. 4	4200003-004	4	42
Washer, Split Lock No. 4	4200003-004	2	128
Washer, Split Lock No. 5/16	4200003-031	6	31
Washer, Split Lock No. 5/16	4200003-031	3	27

INDEX BY DEC PART DESCRIPTION  
RV64 OPTICAL LIBRARY

DESCRIPTION	DEC PART NO.	FIG. NO.	ITEM NO.
Washer, Split Lock No. 5/16	4200003-031	2	134
Washer, Split Lock No. 6	4200003-006	2	118
Washer, Split Lock No. 8	4200003-008	7	3
Washer, Split Lock No. 8	4200003-008	2	28
Washer, Split Lock No. 8	4200003-008	3	52
Washer, Split Lock No. 8	4200003-008	4	9
Washer, Split Lock No. 8	4200003-008	6	3
Washer, Split Lock No. 8	4200003-008	3	6
Washer, Split Lock No. 8	4200003-008	9	3
Washer, Thrust	4200017	8	12