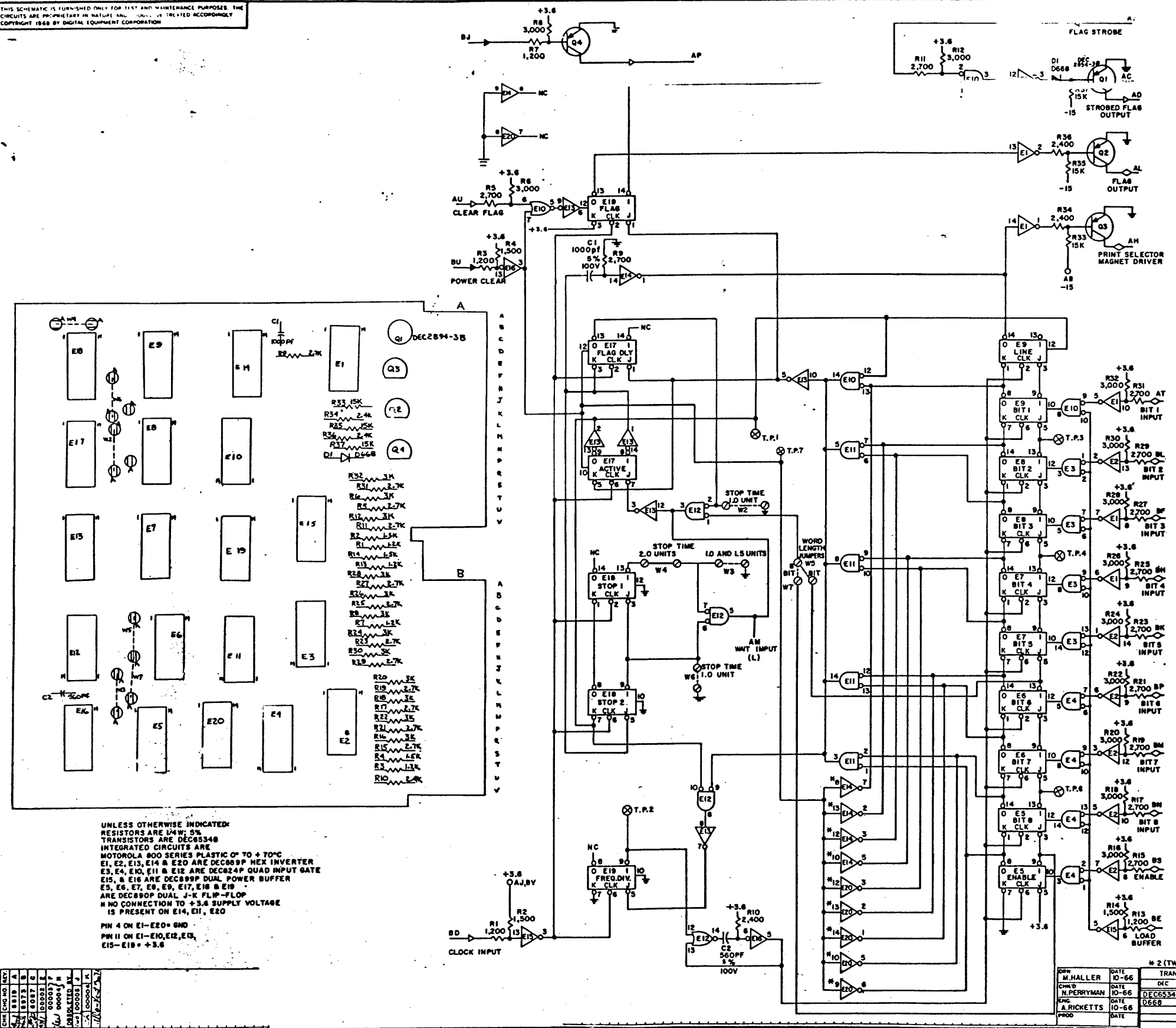


THIS SCHEMATIC IS FURNISHED ONLY FOR TEST AND MAINTENANCE PURPOSES. THE CIRCUITS ARE PROPRIETARY IN NATURE AND SHOULD BE TREATED ACCORDINGLY. COPYRIGHT 1969 BY DIGITAL EQUIPMENT CORPORATION.



UNLESS OTHERWISE INDICATED:
RESISTORS ARE 1/4W, 5%
TRANSISTORS ARE DEC6534B
INTEGRATED CIRCUITS ARE
MOTOROLA 800 SERIES PLASTIC OP TO +70°C
E1, E2, E13, E14 & E20 ARE DEC899P HEX INVERTER
E3, E4, E10, E11 & E12 ARE DEC824P QUAD INPUT GATE
E15, & E16 ARE DEC899P DUAL POWER BUFFER
E5, E6, E7, E8, E9, E17, E18 & E19
ARE DEC890P DUAL J-K FLIP-FLOP
NO CONNECTION TO +3.6 SUPPLY VOLTAGE
IS PRESENT ON E14, E17, E20
PIN 4 ON E1-E20 = GND
PIN 11 ON E1-E10, E12, E13,
E15-E19 = +3.6

ITEM NO.	DEC PART NO.	DESCRIPTION	QTY
22	9008337-03	HANDLE, FLIP CHIP - WHITE	2
21	9006731	FEED THRU EYELET	138
20	9006735	SPLIT LUG	13
19	9006732	EYELET #6S4-7	4
18	1905290	I.C. DEC 899P	2
17	1904822	I.C. DEC 889P	5
16	1904821	I.C. DEC 824P	5
15	1904820	I.C. DEC 890P	8
14	1503099	TRANS DEC 2894-3B EPOXY CAN TO-B	1
13	1503409-01	TRANS. DEC 6534B	3
12	1303177	RES. 2.4K 1/4W 5%	3
11	1301320	RES. 1.2K 1/4W 5%	4
10	1300496	RES. 15K 1/4W 5%	3
9	1300432	RES. 3K 1/4W 5%	12
8	1300426	RES. 2.7K 1/4W 5%	12
7	1300391	RES. 1.5K 1/4W 5%	3
6	1102161	DIODE D668	1
5	1000042	CAP. 1000PF 100V 5% NICA	1
4	1000025	CAP. 560PF 100V 5% D.M.	1
3	5003976	ETCHED CIRCUIT BOARD	1
2	B-MH-W707-0-6	MODULE ECO HISTORY	4
1	D-AH-W707-0-5	ASSY/DRILLING HOLE LAYOUT	

REV	DATE	BY	CHKD
1	10-66	M.HALLER	
2	10-66	N.PERRYMAN	
3	10-66	A.RICKETTS	

DATE	BY	CHKD
10-66	M.HALLER	
10-66	N.PERRYMAN	
10-66	A.RICKETTS	

* 2 (TWO) IN3606 IN SERIES

TRANSISTOR & DIODE CONVERSION CHART

DEC	EM	DEC	EM
DEC6534B	MPS6534	DEC668	D668 W

digital EQUIPMENT CORPORATION

TITLE: **TELETYPE TRANSMITTER**

DATE: 10-66
DRAWN: M.HALLER
CHECKED: N.PERRYMAN
DATE: 10-66
BY: A.RICKETTS

REV. K