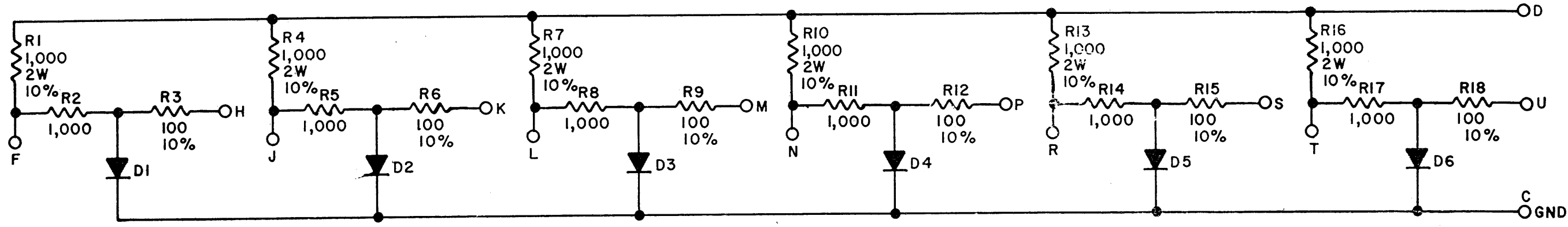


THIS SCHEMATIC IS FURNISHED ONLY FOR TEST AND MAINTENANCE PURPOSES. THE CIRCUITS ARE PROPRIETARY IN NATURE AND SHOULD BE TREATED ACCORDINGLY. COPYRIGHT 1965 BY DIGITAL EQUIPMENT CORPORATION



UNLESS OTHERWISE INDICATED:
RESISTORS ARE 1/4W; 5%
DIODES ARE D664



REVISIONS	CHK CHG NO. REV	DRN. I. HAHN	DATE	TRANSISTOR & DIODE CONVERSION CHART				TITLE INPUT NETWORK W701
	REV & REDR. 5532 A		10-20-65	DEC	EIA	DEC	EIA	
		CHK'D R. SILVERMAN	DATE	D664	IN3606			EQUIPMENT CORPORATION MAYNARD, MASSACHUSETTS
		ENG. E. DE CASTRO	DATE					
		PROD.	DATE					
PRINTED CIRCUIT REV.								A