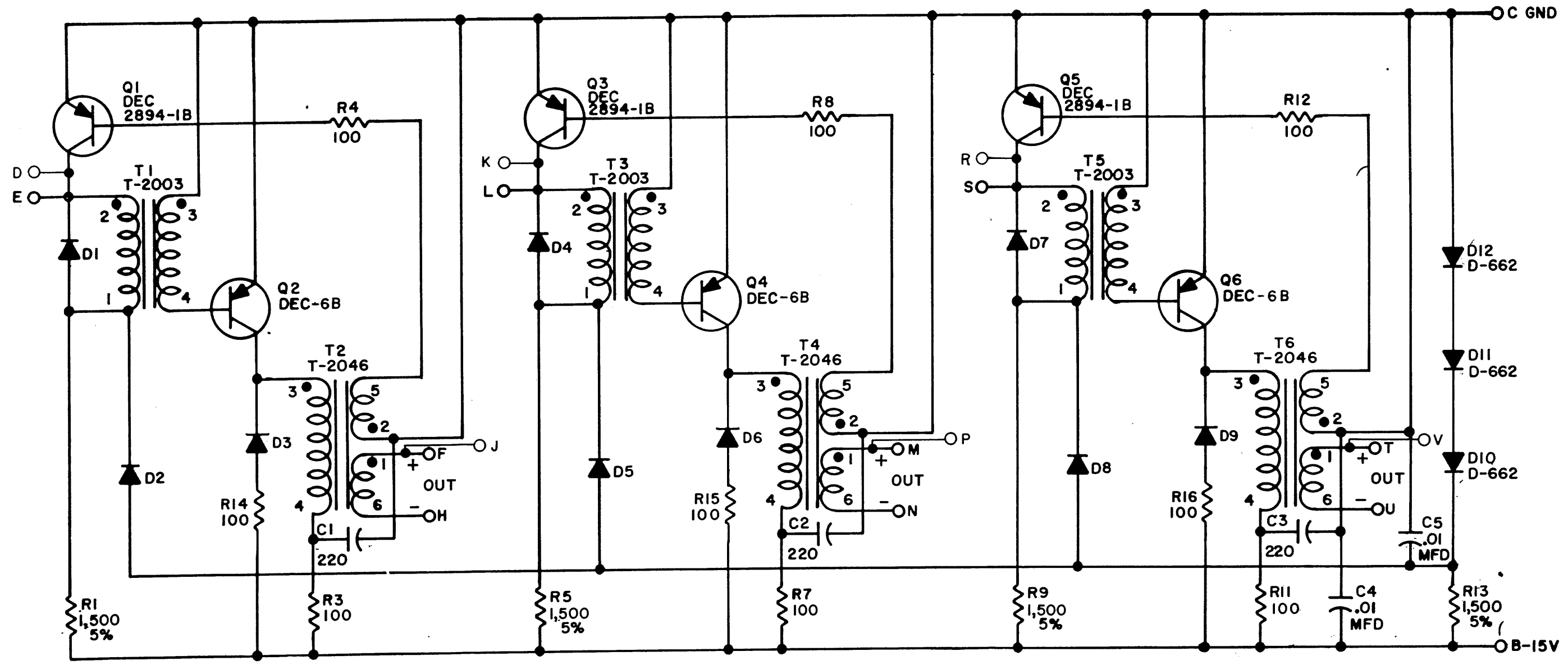


THIS SCHEMATIC IS FURNISHED ONLY FOR TEST AND MAINTENANCE PURPOSES. THE CIRCUITS ARE PROPRIETARY IN NATURE AND SHOULD BE TREATED ACCORDINGLY. COPYRIGHT 1964 BY DIGITAL EQUIPMENT CORPORATION



UNLESS OTHERWISE INDICATED:
RESISTORS ARE 1/4W; 10%
CAPACITORS ARE MMFD
DIODES ARE D-664

PARTS LIST A-PL-W607-0-0

REVISIONS	CHK NO.	REV.	DRN. A. OUELLETTE	DATE	TRANSISTOR & DIODE CONVERSION CHART				digital EQUIPMENT CORPORATION MAYNARD, MASSACHUSETTS	TITLE			
	5483	4		7-29-64	DEC	EIA	DEC	EIA		PULSE AMPLIFIER W607			
	REV. 5583	E		7-29-64	DEC2894-1B	NONE				SIZE	CODE	NUMBER	REV.
	5724	F		7-29-64	DEC-6B	NONE				B	CS	W607-0-1	H
	5717	H	ENG. R. BANK	DATE	D662	IN645							
			PROD.	DATE	D664	IN3606							