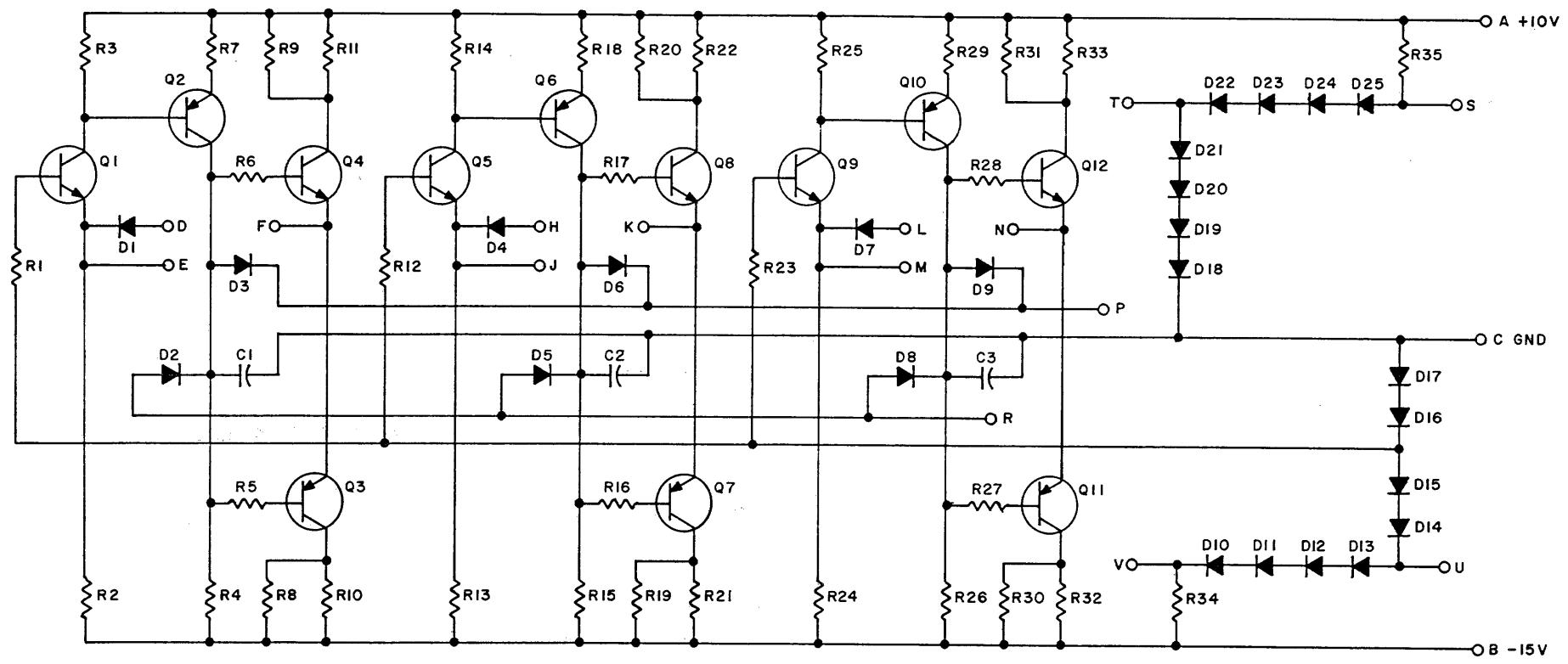


THIS SCHEMATIC IS FURNISHED ONLY FOR TEST AND MAINTENANCE PURPOSES. THE CIRCUITS ARE PROPRIETARY IN NATURE AND SHOULD BE TREATED ACCORDINGLY. COPYRIGHT 1965 BY DIGITAL EQUIPMENT CORPORATION



Q2, Q3, Q6, Q7, Q10, Q11	TRANSISTOR DEC6534D	1503409
Q1, Q4, Q5, Q8, Q9, Q12	TRANSISTOR DEC3009B	1503100
D1 - D9	DIODE D664	1100114
D10 - D25	DIODE D662	1100113
R8, R10, R19, R21, R30, R32, R34	RES. 750 1/4W 5% C	1301401
R5, R6, R16, R17, R27, R28	RES. 100 1/4W 5% C	1300229
R4, R15, R26	RES. 7.5K 1/4W 5% C	1301422
R3, R14, R25	RES. 3K 1/4W 5% C	1300432
R2, R13, R24	RES. 15K 1/4W 5% C	1300496
R23, R29, R31, R33, R35	RES. 390 1/4W 5% C	1300309
C1 - C3	CAP. 27MMF 100V 5% MICA	1001739
	PARTS LIST	A-PL-W602-0
REFERENCE DESIGNATION	DESCRIPTION	PART NO.

PARTS LIST		TITLE	
DEC	EIA	BIPOLAR LEVEL	
D662	IN645	AMPLIFIER W602	
D664	IN3606	SIZE	NUMBER
DEC3009B	2N3009	C CS W602	0-1
DEC6534D	MP36534	PRINTED CIRCUIT REV	REV. A
		DIST. 324 434 52	

REVISIONS	CHK'D	DATE	ORIG.	DATE
1	I. HAHN	4-26-65	I. HAHN	4-26-65
2	R. SILVERMAN	4-27-65	R. SILVERMAN	4-27-65
3	R. DOANE	4-27-65	R. DOANE	4-27-65

DEC FORM NO. DRC 102

SIZE CODE NUMBER REV. A
C CS W602-0-1