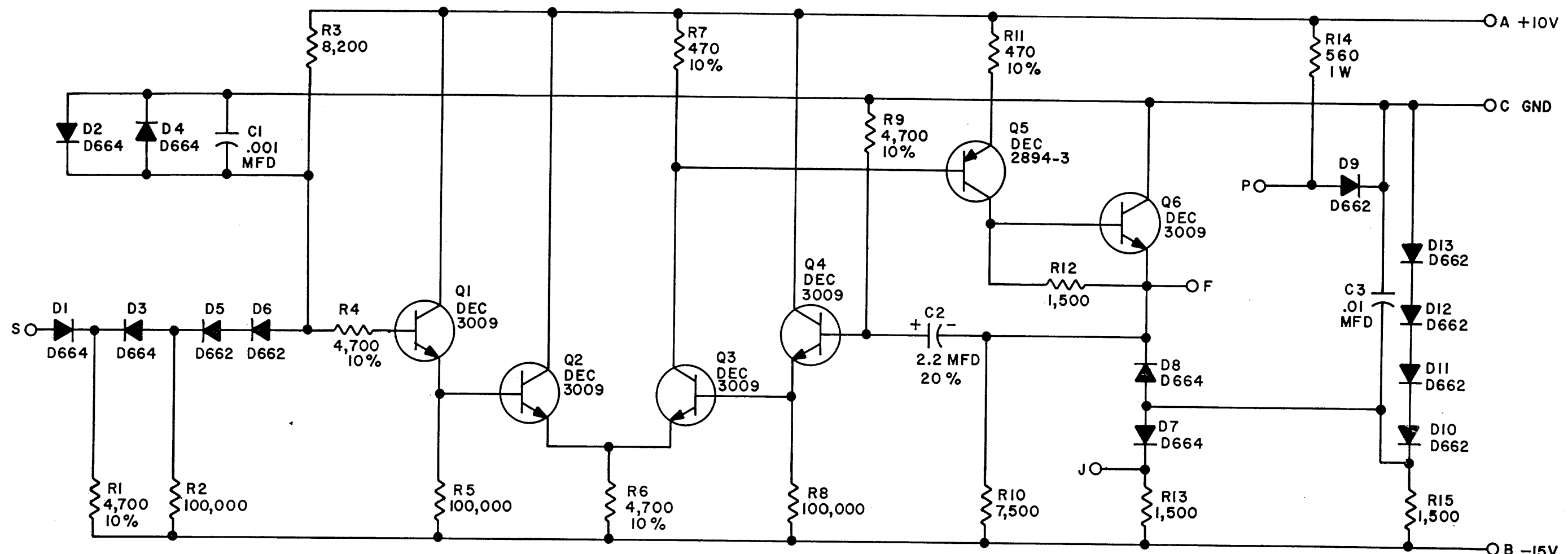


THIS SCHEMATIC IS FURNISHED ONLY FOR TEST AND MAINTENANCE PURPOSES. THE CIRCUITS ARE PROPRIETARY IN NATURE AND SHOULD BE TREATED ACCORDINGLY. COPYRIGHT 1966 BY DIGITAL EQUIPMENT CORPORATION



UNLESS OTHERWISE INDICATED:  
RESISTORS ARE 1/4W, 5%



REVISIONS CHK   CHG NO   REV.	DRN: <i>The engineer</i>	DATE: 5/11/66	TRANSISTOR & DIODE CONVERSION CHART		<b>digital</b>	TITLE INITIAL TRANSIENT DETECTOR W504				
	CHK'D: <i>A. Sel...</i>	DATE: 5/11/66	DEC	EIA		DEC	EIA	SIZE B	CODE CS	NUMBER W504-0-1
	ENG: <i>White</i>	DATE: 5/11/66	DEC 2894-3	NONE						
	PROD.	DATE	DEC 3009	2N3009						
			D662	IN645						
			D664	IN3606						
EQUIPMENT CORPORATION MAYNARD, MASSACHUSETTS						PRINTED CIRCUIT REV. A				