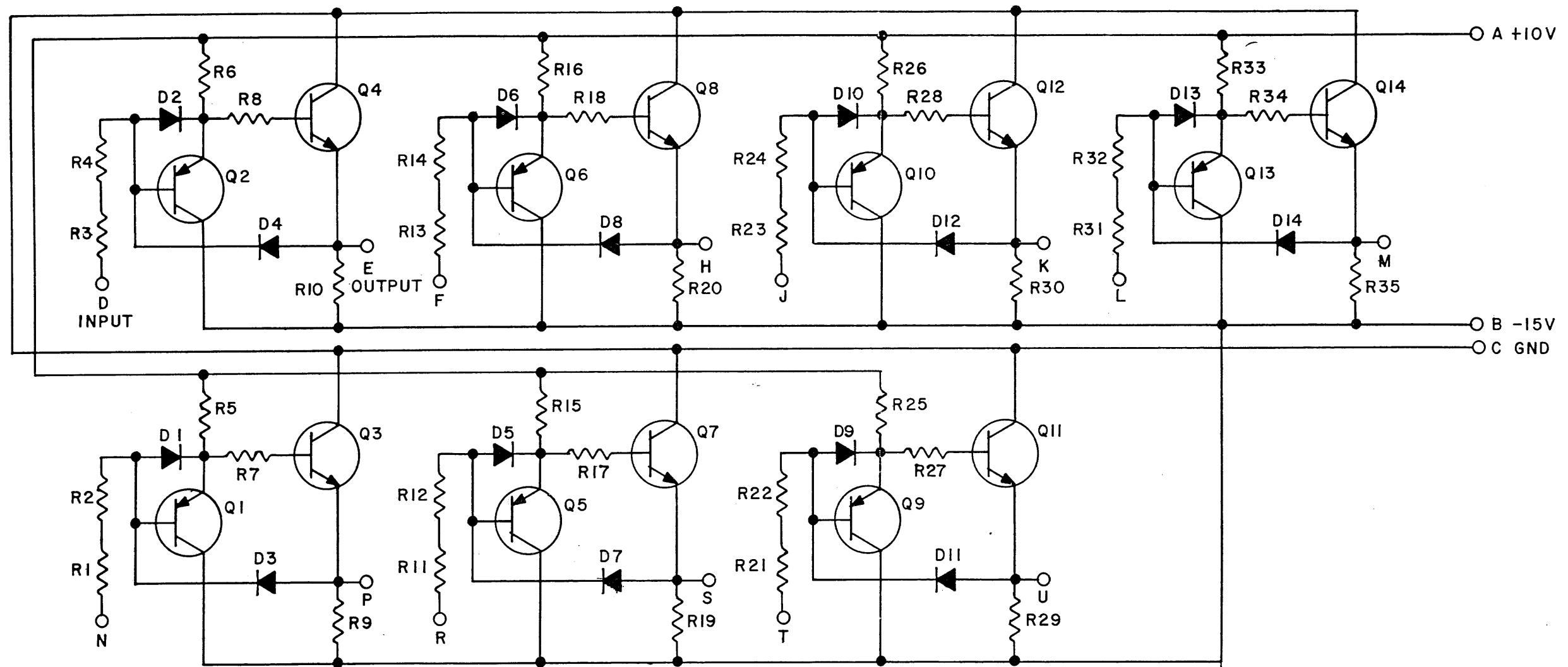
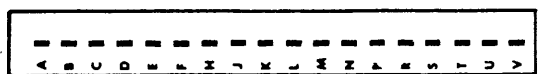


THIS SCHEMATIC IS FURNISHED ONLY FOR TEST AND MAINTENANCE PURPOSES. THE CIRCUITS ARE PROPRIETARY IN NATURE AND SHOULD BE TREATED ACCORDINGLY. COPYRIGHT 1965 BY DIGITAL EQUIPMENT CORPORATION



Q3, Q4, Q7, Q8, Q11, Q12, Q14	TRANSISTOR DEC3009B-S	1503100
Q1, Q2, Q5, Q6, Q9, Q10, Q13	TRANSISTOR DEC999-S	1501836
R9, R10, R19, R20, R29, R30, R35	RES. 3K 1/4W 5% CC	1300432
R7, R8, R17, R18, R27, R28, R34	RES. 100 1/4W 10% CC	1300231
R5, R6, R15, R16, R25, R26, R33	RES. 10K 1/4W 10% CC	1300481
R1-R4, R11-R14, R21-R24, R31, R32	RES. 1.5K 1/4W 5% CC	1300391
D1 - D14	DIODE D664	1100114
	PARTS LIST	A-PL-W500-0-0
REFERENCE DESIGNATION	DESCRIPTION	PART NO.



REVISIONS	CHK	CHG NO.	REV.
	DAW	4638	1
	REV. & REDR.	7166	B

DRN. I. HAHN	DATE 4-27-65
CHK'D R. SILVERMAN	DATE 4-29-65
ENG. R. DOANE	DATE 4-27-65
PROD.	DATE

TRANSISTOR & DIODE CONVERSION CHART			
DEC	EIA	DEC	EIA
D664	IN3606		
DEC999	MM999		
DEC3009B	2N3009		

digital
EQUIPMENT CORPORATION
MAYNARD, MASSACHUSETTS

TITLE HIGH IMPEDANCE FOLLOWER W5' 0			
SIZE B	CODE CS	NUMBER W500-0-1	REV. B
PRINTED CIRCUIT REV. A			