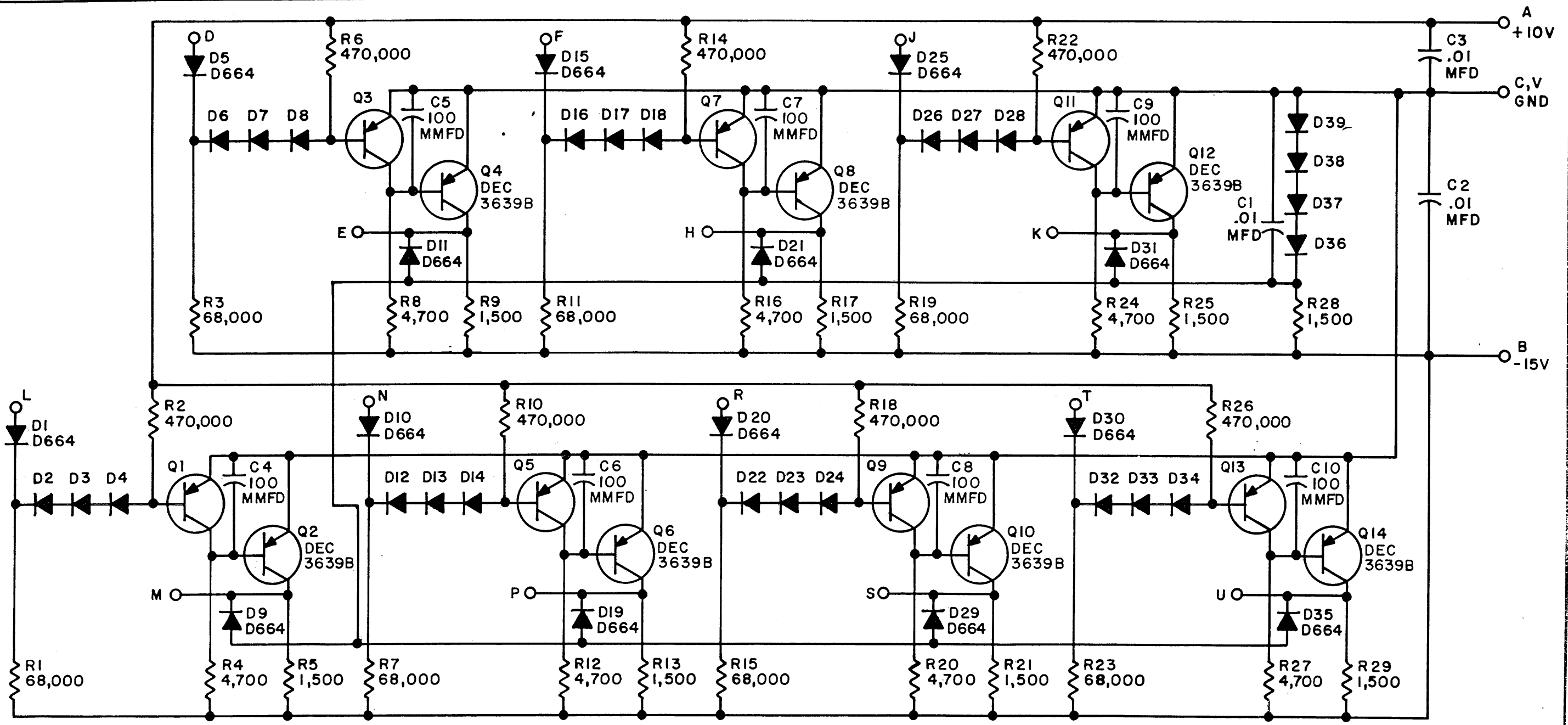
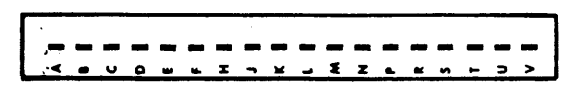


THIS SCHEMATIC IS FURNISHED ONLY FOR TEST AND MAINTENANCE PURPOSES. THE CIRCUITS ARE PROPRIETARY IN NATURE AND SHOULD BE TREATED ACCORDINGLY. COPYRIGHT 1967 BY DIGITAL EQUIPMENT CORPORATION



UNLESS OTHERWISE INDICATED:
RESISTORS ARE 1/4W; 5%
DIODES ARE D662
TRANSISTORS ARE DEC3639C



REVISIONS CHK CHG NO. REV. 6827 A	DRN. <i>M. Haller</i>	DATE 3-13-67	TRANSISTOR & DIODE CONVERSION CHART				digital EQUIPMENT CORPORATION MAYNARD, MASSACHUSETTS	TITLE I/O BUS RECEIVER CKT. W107			REV. A
	CHK'D. <i>R. Silberman</i>	DATE 3/15/67	DEC	EIA	DEC	EIA		SIZE B	CODE CS	NUMBER W107-0-1	
	ENG. <i>K. Boudry</i>	DATE 3/21/67	D662	IN645			PRINTED CIRCUIT REV. B				
	PROD.	DATE	D664	IN3606			DIST. 324 434 435 359				
			DEC3639B	2N3639							
			DEC3639C	2N3639							