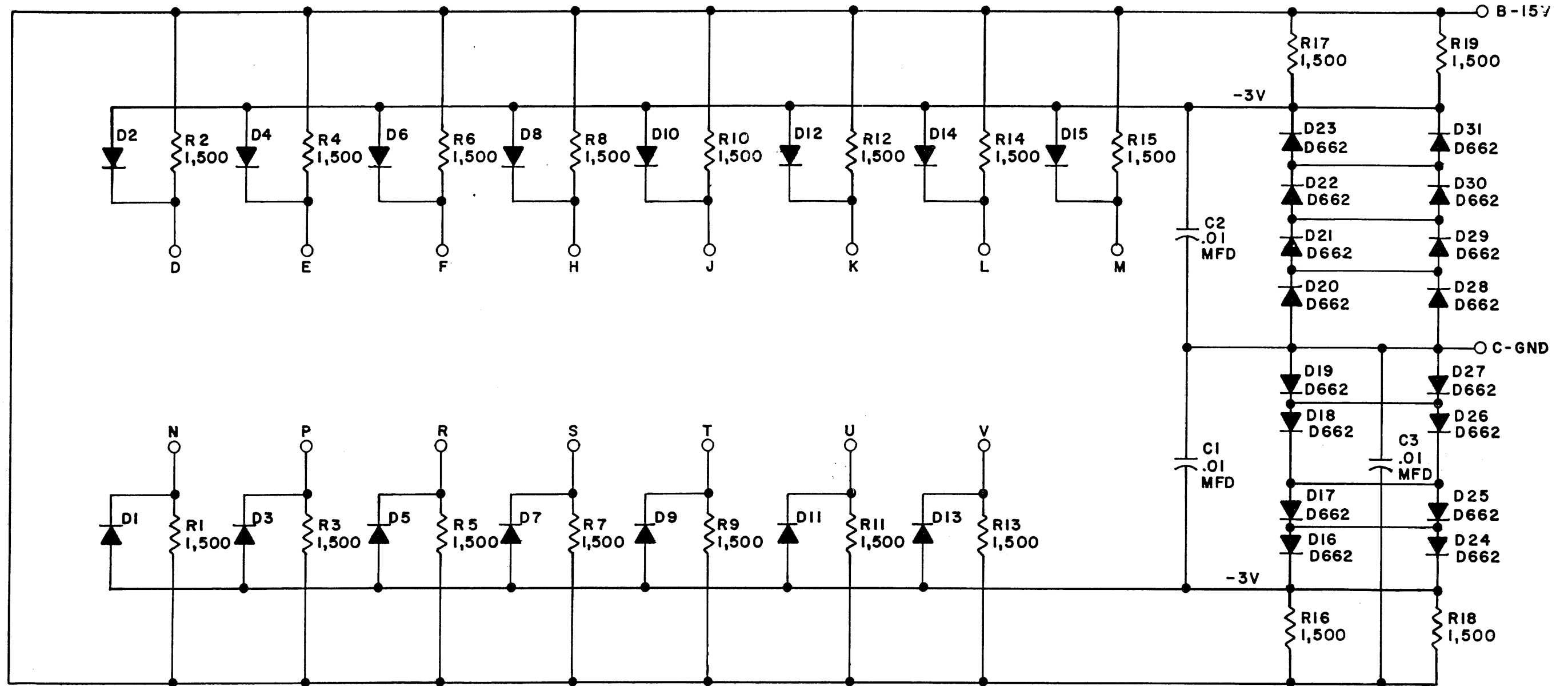


THIS SCHEMATIC IS FURNISHED ONLY FOR TEST AND MAINTENANCE PURPOSES. THE CIRCUITS ARE PROPRIETARY IN NATURE AND SHOULD BE TREATED ACCORDINGLY. COPYRIGHT 1966 BY DIGITAL EQUIPMENT CORPORATION



UNLESS OTHERWISE INDICATED:
RESISTORS ARE 1/4; 5%
DIODES ARE D664

< A B C D E F G H I J K L M N O P Q R S T U V W X Y Z >

REVISIONS CHK CHG NO. REV.	DRN. <i>M. Haller</i>	DATE <i>11-15-66</i>	TRANSISTOR & DIODE CONVERSION CHART				 EQUIPMENT CORPORATION MAYNARD, MASSACHUSETTS	TITLE CLAMPED LOADS WOIO			
	CHK'D. <i>K. Johnson</i>	DATE <i>11/15/66</i>	DEC	EIA	DEC	EIA		SIZE B	CODE CS	NUMBER WOIO-0-1	REV.
	ENG. <i>J. S. Ho</i>	DATE <i>11/15/66</i>									
	PROD.	DATE									
PRINTED CIRCUIT REV.							A				