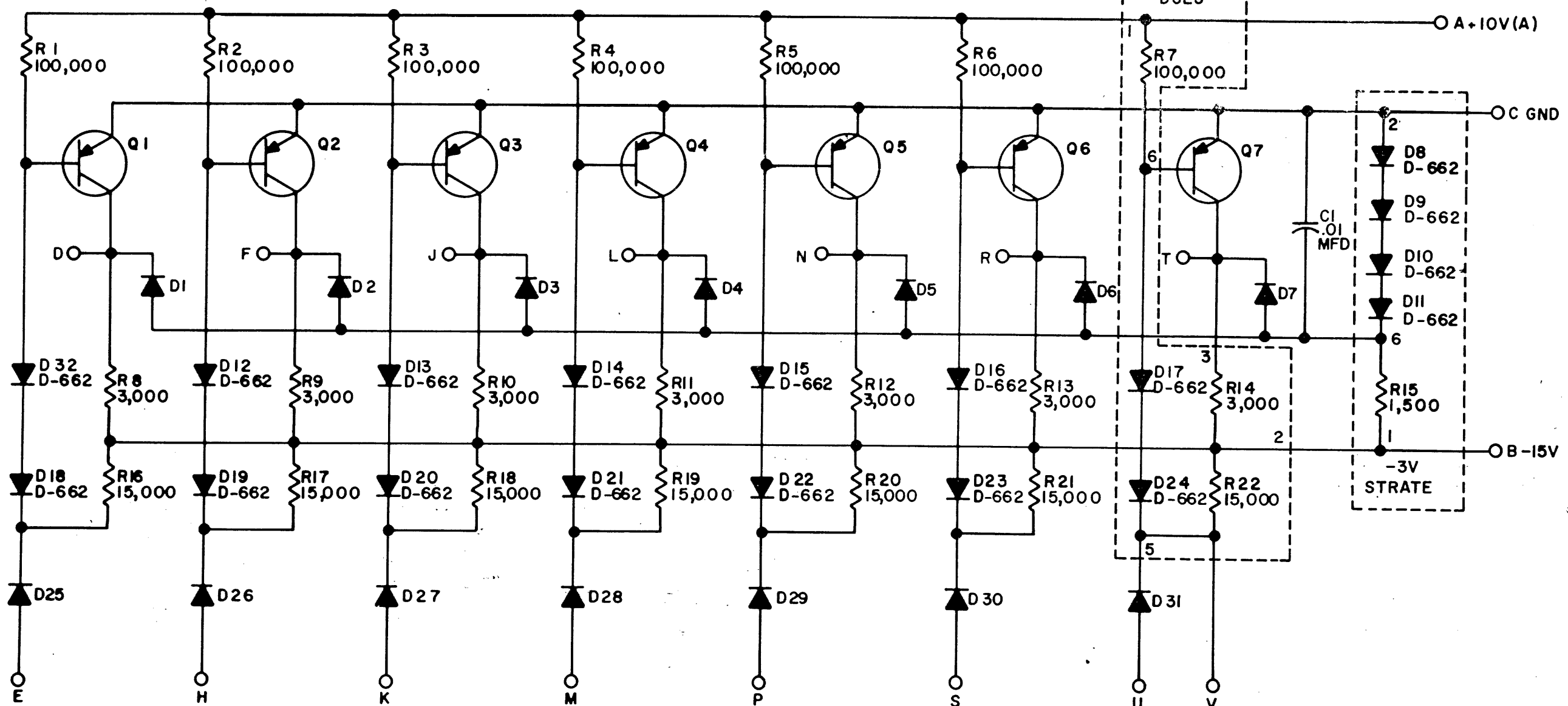


THIS SCHEMATIC IS FURNISHED ONLY FOR TEST AND MAINTENANCE PURPOSES. THE CIRCUITS ARE PROPRIETARY IN NATURE AND SHOULD BE TREATED ACCORDINGLY. COPYRIGHT 1965 BY DIGITAL EQUIPMENT CORPORATION



UNLESS OTHERWISE INDICATED:  
 RESISTORS ARE 1/4W;5%  
 DIODES ARE D-664  
 TRANSISTORS ARE DEC 3639B  
 PRINTED CIRCUIT REV. FOR  
 DGL BOARD IS SIA

USE THE ETCH BOARD OF THE R107



PARTS LIST A-PL-SI07-0-0

REVISIONS CHK CHG NO. REV. REV. & REDR. B 5384 C 5458 D 6857 E RWD 00001 WAKY MOEE D. BAKER J. E. D...	DRN.	DATE	TRANSISTOR & DIODE CONVERSION CHART		TITLE INVERTER SI07 digital EQUIPMENT CORPORATION MAYNARD, MASSACHUSETTS	SIZE	CODE	NUMBER	REV.
	I HAHN	6-11-65	DEC	EIA		B	CS	SI07-0-1	E
	CHK'D	DATE	DEC 3639B	2N3639					
	R SILVERMAN	6-18-65	D662	IN645					
ENG.	DATE	D664	IN3606						
R SOGGE	6-18-65								
PROD.	DATE								