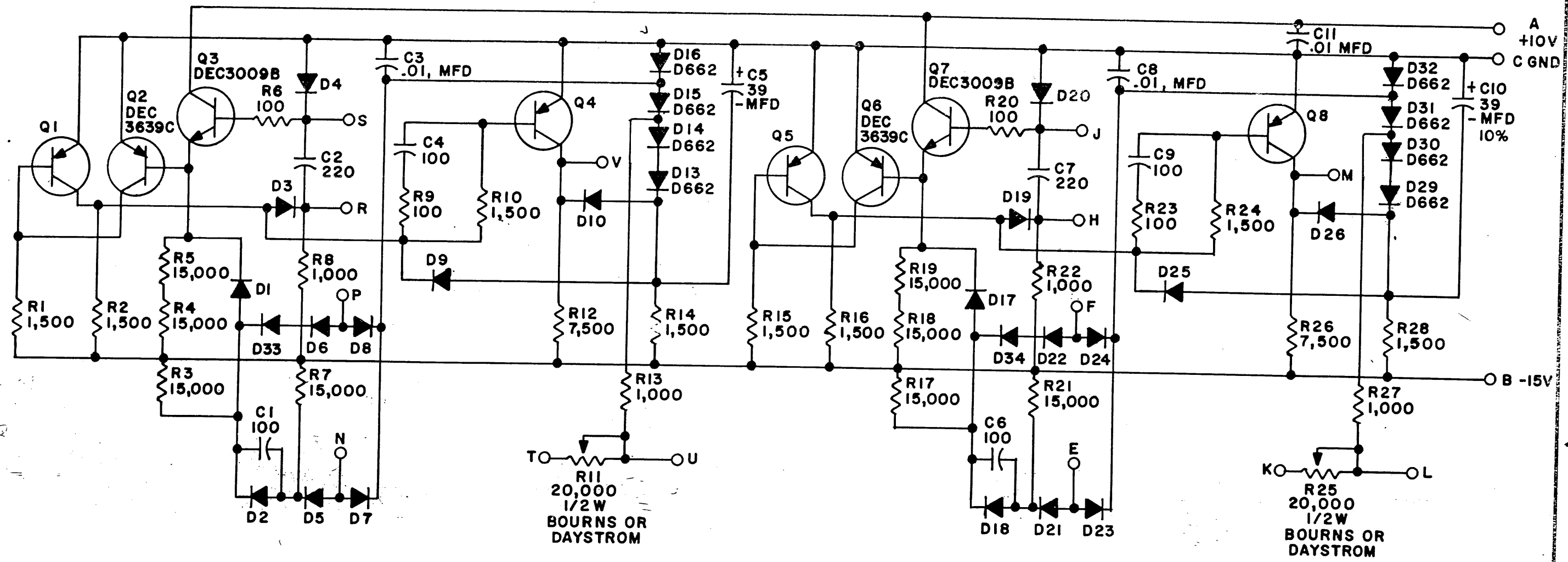


THIS SCHEMATIC IS FURNISHED ONLY FOR TEST AND MAINTENANCE PURPOSES. THE CIRCUITS ARE PROPRIETARY IN NATURE AND SHOULD BE TREATED ACCORDINGLY. COPYRIGHT 1964 BY DIGITAL EQUIPMENT CORPORATION



UNLESS OTHERWISE INDICATED:  
RESISTORS ARE 1/4W; 5%  
CAPACITORS ARE MMFD  
DIODES ARE D664  
TRANSISTORS ARE DEC3639

-----  
< A B C D E F G H I J K L M N O P Q R S T U >

PARTS LIST A-PL-R302-0-0

REVISIONS	CHK	CHG NO.	REV.	L	M	N	P	R	S	T	U	DRN. A. OUELLETTE	DATE 6-12-64	TRANSISTOR & DIODE CONVERSION CHART				TITLE DELAY R302	SIZE B	CODE CS	NUMBER R302-0-1	REV. U	
	DAW	4856	7											DEC	EIA	DEC	EIA						
	REV	5538	L									ENG.	DATE	DEC3639	2N3639								
	REV	5975	M									CHK'D	DATE	DEC3009B	2N3009								
	REV	6499	N									ENG.	DATE	D662	IN645								
	REV	6696	P									PROD.	DATE	D664	IN3606								
	REV	6749	R											DEC3639C	2N3639								
	REV	00001	S																				
	REV	00002	T																				
	REV	00002	U																				