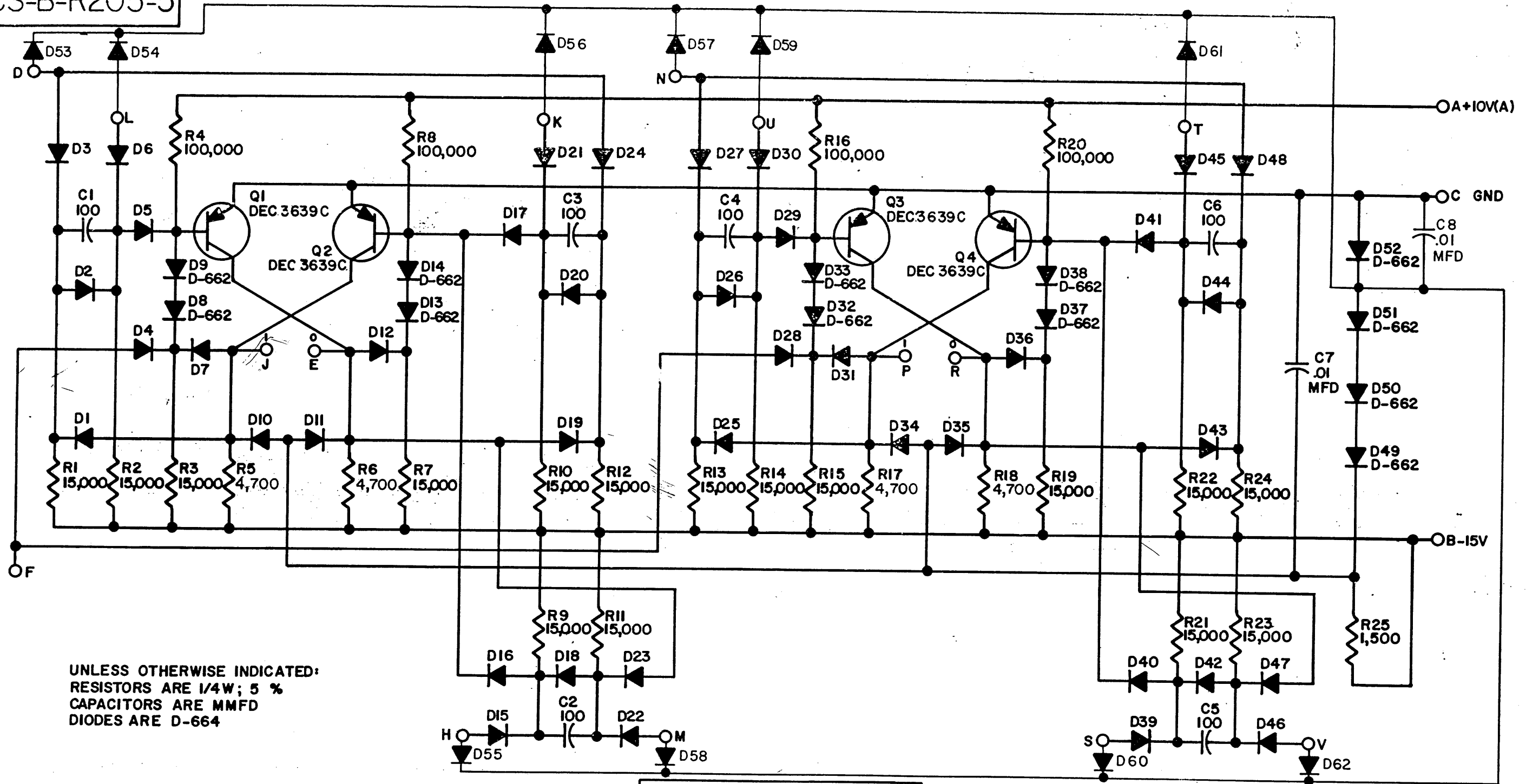


CS-B-R205-5



UNLESS OTHERWISE INDICATED:
 RESISTORS ARE 1/4W; 5 %
 CAPACITORS ARE MMFD
 DIODES ARE D-664



6551-5 6332-4 4913-3 4850-2 4843 / 4514-1 ECO. NO.	REVISIONS ENG.	DRAFTSMAN H.W. PORTER DATE 9-9-64	CHECKER <i>M. ...</i> DATE 9-15-64	digital EQUIPMENT CORPORATION MAYNARD, MASSACHUSETTS	CODE CS	DWG. NO. B-R205	REV. 5
		ENGINEER DATE	PRODUCTION DATE		TITLE DUAL FLIP-FLOP R205		