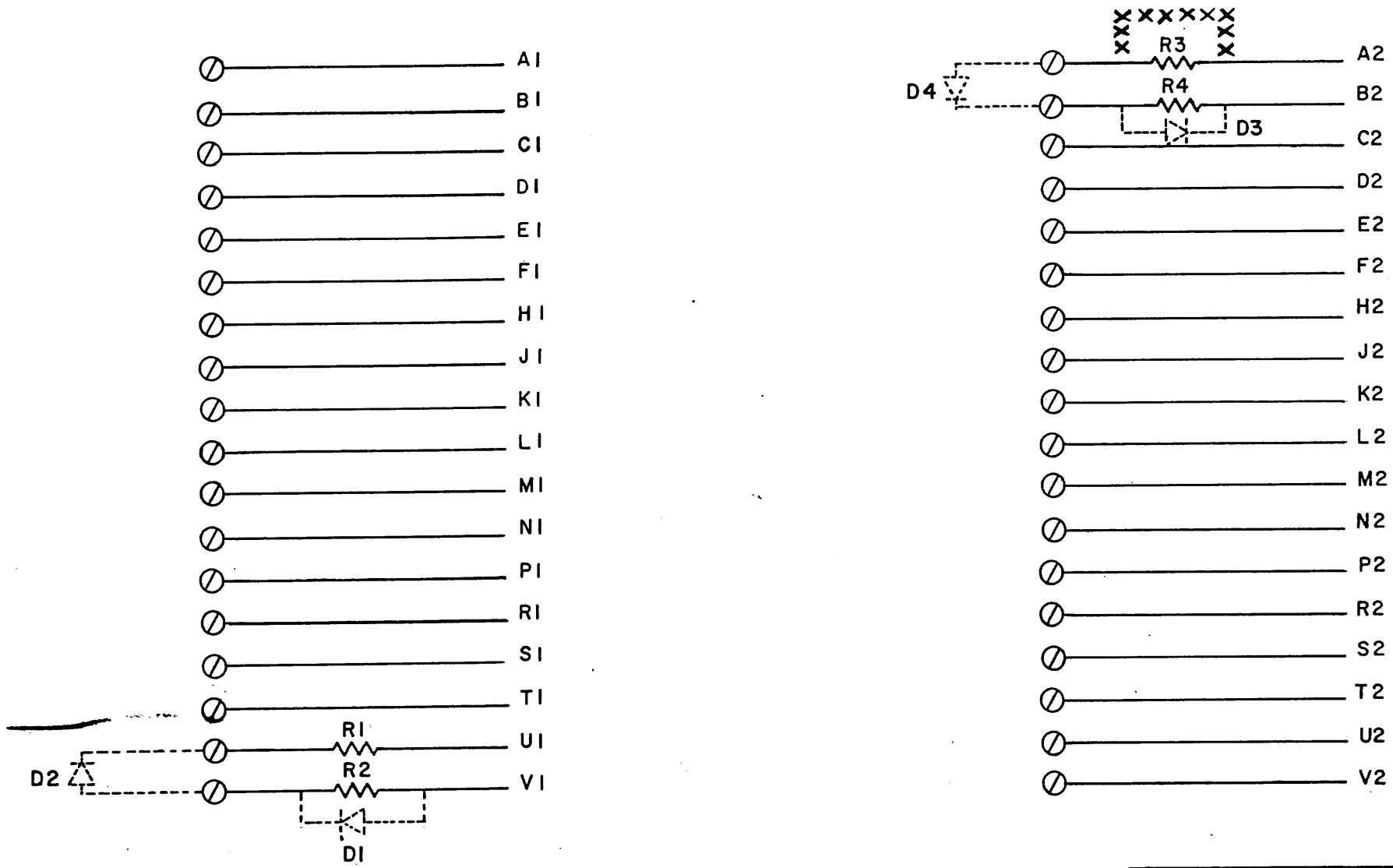


THIS SCHEMATIC IS FURNISHED ONLY FOR TEST AND MAINTENANCE PURPOSES. THE CIRCUITS ARE PROPRIETARY IN NATURE AND SHOULD BE TREATED ACCORDINGLY. COPYRIGHT 1970 BY DIGITAL EQUIPMENT CORPORATION



NOTE:

1. DOTTED LINES INDICATE YA VERSION ONLY. R4 & R2 ARE DELETED IN THE YA VERSION.
2. X LINES INDICATE YB VERSION ONLY. R3 IS REPLACED BY JUMPER.

M957-YB	R3=0 Ω R1=10 Ω 1/4W 5%	10 1/4W 5%
M957-YA	1K 1/8W 1% MF	D664
M957	10 1/4W 5%	10 1/4W 5%
VARIATION	R1 & R3	D1, D2, D3, D4 R2 & R4

<table border="1"> <tr> <th>REVISIONS</th> <th>CHK</th> <th>CHG NO.</th> <th>REV.</th> </tr> <tr> <td>1</td> <td>✓</td> <td>00001</td> <td>A</td> </tr> <tr> <td>2</td> <td>✓</td> <td>00002</td> <td>B</td> </tr> <tr> <td>3</td> <td>✓</td> <td>00003</td> <td>C</td> </tr> <tr> <td colspan="4">B. F. Walker 10-2-72</td> </tr> <tr> <td colspan="4">F. STRAIGHT</td> </tr> <tr> <td colspan="4">F. S. M. M. 10-2-72</td> </tr> <tr> <td colspan="4">R. CARNEY</td> </tr> <tr> <td colspan="4">R. Carney 10-5-72</td> </tr> <tr> <td colspan="4">100005 E</td> </tr> <tr> <td colspan="4">Beasley 12-8-72</td> </tr> <tr> <td colspan="4">CARNEY</td> </tr> </table>				REVISIONS	CHK	CHG NO.	REV.	1	✓	00001	A	2	✓	00002	B	3	✓	00003	C	B. F. Walker 10-2-72				F. STRAIGHT				F. S. M. M. 10-2-72				R. CARNEY				R. Carney 10-5-72				100005 E				Beasley 12-8-72				CARNEY				<table border="1"> <tr> <td>DRN</td> <td>DATE</td> <td colspan="2">10/21/70</td> </tr> <tr> <td>CHK'D</td> <td>DATE</td> <td colspan="2">10/27/70</td> </tr> <tr> <td>ENG</td> <td>DATE</td> <td colspan="2">11/20/70</td> </tr> <tr> <td>PROD.</td> <td>DATE</td> <td colspan="2"></td> </tr> </table>				DRN	DATE	10/21/70		CHK'D	DATE	10/27/70		ENG	DATE	11/20/70		PROD.	DATE			<table border="1"> <tr> <th colspan="4">TRANSISTOR & DIODE CONVERSION CHART</th> </tr> <tr> <th>DEC</th> <th>EIA</th> <th>DEC</th> <th>EIA</th> </tr> <tr> <td></td> <td></td> <td></td> <td></td> </tr> <tr> <td></td> <td></td> <td></td> <td></td> </tr> <tr> <td></td> <td></td> <td></td> <td></td> </tr> <tr> <td></td> <td></td> <td></td> <td></td> </tr> </table>				TRANSISTOR & DIODE CONVERSION CHART				DEC	EIA	DEC	EIA																	<table border="1"> <tr> <td colspan="2">digital</td> <td colspan="2">TITLE CABLE CONNECTOR M957</td> </tr> <tr> <td>SIZE B</td> <td>CODE CS</td> <td>NUMREP M957-0-1</td> <td>REV. E</td> </tr> <tr> <td colspan="3">EQUIPMENT CORPORATION</td> <td>PRINTED CIRCUIT REV. C</td> </tr> <tr> <td colspan="4">MAYNARD, MASSACHUSETTS</td> </tr> </table>				digital		TITLE CABLE CONNECTOR M957		SIZE B	CODE CS	NUMREP M957-0-1	REV. E	EQUIPMENT CORPORATION			PRINTED CIRCUIT REV. C	MAYNARD, MASSACHUSETTS			
REVISIONS	CHK	CHG NO.	REV.																																																																																																																				
1	✓	00001	A																																																																																																																				
2	✓	00002	B																																																																																																																				
3	✓	00003	C																																																																																																																				
B. F. Walker 10-2-72																																																																																																																							
F. STRAIGHT																																																																																																																							
F. S. M. M. 10-2-72																																																																																																																							
R. CARNEY																																																																																																																							
R. Carney 10-5-72																																																																																																																							
100005 E																																																																																																																							
Beasley 12-8-72																																																																																																																							
CARNEY																																																																																																																							
DRN	DATE	10/21/70																																																																																																																					
CHK'D	DATE	10/27/70																																																																																																																					
ENG	DATE	11/20/70																																																																																																																					
PROD.	DATE																																																																																																																						
TRANSISTOR & DIODE CONVERSION CHART																																																																																																																							
DEC	EIA	DEC	EIA																																																																																																																				
digital		TITLE CABLE CONNECTOR M957																																																																																																																					
SIZE B	CODE CS	NUMREP M957-0-1	REV. E																																																																																																																				
EQUIPMENT CORPORATION			PRINTED CIRCUIT REV. C																																																																																																																				
MAYNARD, MASSACHUSETTS																																																																																																																							

DIS 324,434,435 2 4 PINK -