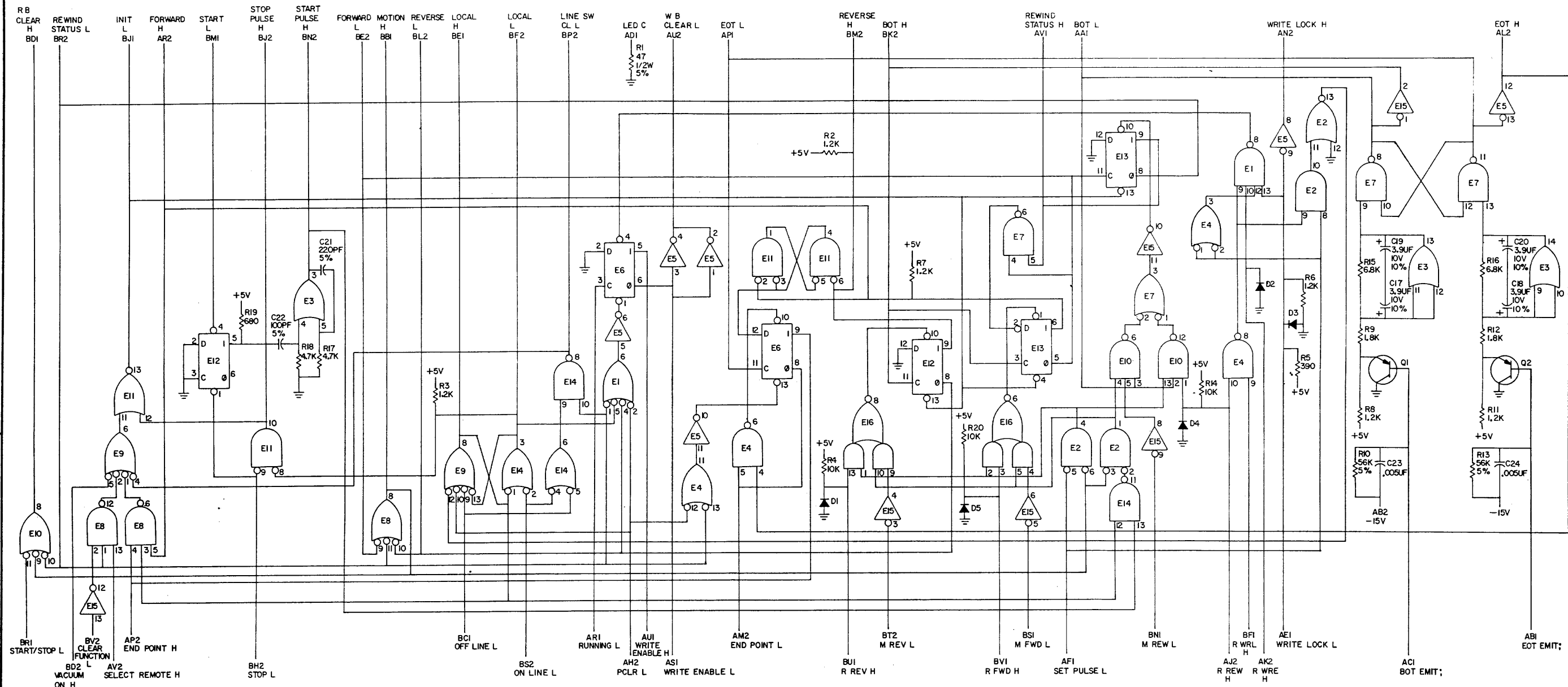
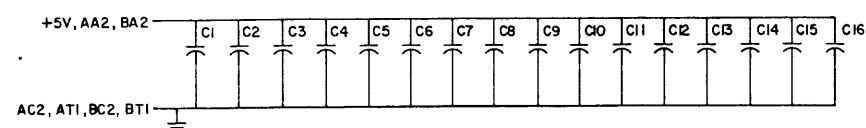


THIS SCHEMATIC IS FURNISHED ONLY FOR TEST AND MAINTENANCE PURPOSES. THE CIRCUITS ARE PROPRIETARY IN NATURE AND SHOULD BE TREATED ACCORDINGLY. COPYRIGHT 1971 BY DIGITAL EQUIPMENT CORPORATION.



UNLESS OTHERWISE INDICATED:
 RESISTORS - 1/4W, 10%
 CAPACITORS - .01UF, 100V, 20%
 DIODES - D003
 TRANSISTORS - DEC3639B
 DEC 7474 - E6, E12, E13
 DEC 7400 - E4, E7, E14
 DEC 7410 - E8, E10
 DEC 7420 - E1, E9
 DEC 7450 - E16
 DEC 7402 - E2, E11
 DEC 384 - E3
 DEC 7404 - E5, E15
 PIN 7 = GND ON ALL IC'S
 PIN 14 = +5V
 PIN 1 = GND ON E3
 PIN 8 = +5V



REV H
 NUMBER M769-0-1
 FILE LOCK D CS

REVISIONS CHG NO REV 1 100001 2 100002 3 100003 4 100004 5 100005 6 100006 7 100007 8 100008 9 100009 10 100010	DSN RANLY M006	DATE 1/15/71	TRANSISTOR & DIODE CONVERSION CHART		digital EQUIPMENT CORPORATION BAYBORO, MASSACHUSETTS	TITLE FUNCTION CONTROL M769				
	CHG'D S. D. Lee	DATE 1/15/71	DEC DEC3639B	EIA NONE		DEC NONE	SALES D	CODE CS	NUMBER M769-0-1	REV H
	DATE 1/15/71	DATE 1/15/71	DEC DEC3639B	EIA NONE		DEC NONE	PRINTED CIRCUIT REV	NUMBER M769-0-1	REV H	REV H
	PROD DATE	DATE	DEC DEC3639B	EIA NONE		DEC NONE	PRINTED CIRCUIT REV	NUMBER M769-0-1	REV H	REV H